

PRICE-LIST_01 2023

ITALIANO
ENGLISH
FRANÇAIS
DEUTSCH

RUBINETTERIE
treemme


ISTRUZIONI LETTURA LISTINO - ARTICOLO PARTE ESTERNA + PARTE INCASSO
 INSTRUCTIONS FOR PRICELIST READING - EXTERNAL PART + CONCEALED BODY
 INSTRUCTIONS POUR LA LECTURE DU TARIF - HABILLAGE + CORPS À ENCASTRER
 LESEANLEITUNG ZUR PREISLISTE - SICHTTEILE + UNTERPUTZTEIL

Parte incasso da abbinare con parte esterna

Concealed body to be combined with external part

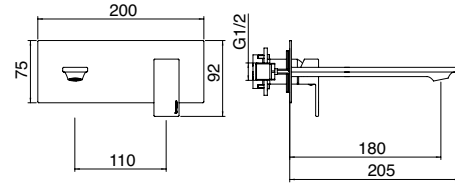

Corps à encastrer à combiner avec habillage

Unterputzteil zu kombinieren mit Sichtteile

CC	RWIT 4BA5 CC 01	273,00	
NN	RWIT 4BA5 NN 01	389,00	
BB	RWIT 4BA5 BB 01	389,00	
NL	RWIT 4BA5 NL 01	383,00	
NF	RWIT 4BA5 NF 01	383,00	
HH	RWIT 4BA5 HH 01	470,00	
CZ	RWIT 4BA5 CZ 01	470,00	
UZ	RWIT 4BA5 UZ 01	470,00	
DD	RWIT 4BA5 DD 01	604,00	
DZ	RWIT 4BA5 DZ 01	604,00	
SZ	RWIT 4BA5 SZ 01	604,00	

Miscelatore monocomando lavabo incasso 180
 Concealed washbasin mixer 180
 Mitigeur lavabo à encastrer 180
 UP-Einhand-Waschtischmischer 180

RWIT 51A5 ZZ 01 138,00
 + PARTI INCASSO - CONCEALED BODY
 CORPS À ENCASTRER - UNTERPUTZTEIL

Parte esterna da abbinare con parte incasso

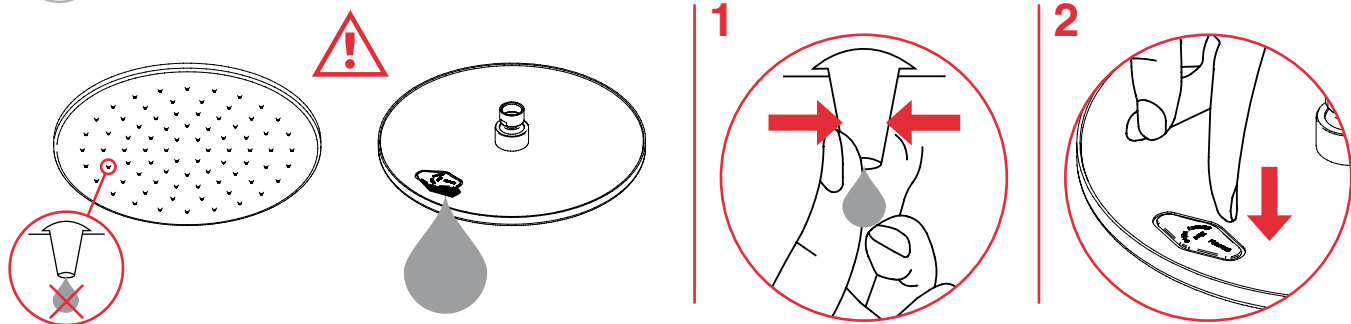
External part to be combined with concealed body

Habillage à combiner avec corps à encastrer

Sichtteile zu kombinieren mit Unterputzteil



VALVOLA DI SICUREZZA - SAFETY VALVE - SOUPAPE DE SÛRETÉ - SICHERHEITSVENTIL



NSF/ANSI 61/9
 ASME A112.18.1
 CSA B125.1
 U.P. CODE

SI RIMANDA ALL'OFFICIAL LISTING NSF PER CONSULTARE LA LISTA DEGLI ARTICOLI CERTIFICATI
 PLEASE CHECK THE NSF OFFICIAL LISTING TO VERIFY THE CERTIFIED ARTICLES

SISTEMA QUALITÀ CERTIFICATO



UNI EN ISO 9001 : 2015



RUBINETTERIE
treemme
instruments for water

Index

[Intro](#) [P_ 4](#)

[Specifications](#) [P_16](#)



[2B](#) [Watt](#) [P_29](#)



[7B](#) [W-70s](#) [P_41](#)



[4B](#) [Q30](#) [P_55](#)



[5B](#) [T30](#) [P_77](#)



[3A-7A](#) [Kea](#) [P_105](#)



[2A](#) [Ios](#) [P_143](#)



[09](#) [Hedó](#) [P_167](#)



[70](#) [Philo](#) [P_185](#)



[02-24](#) [Arché](#) [P_199](#)



[59](#) [Blok](#) [P_225](#)



[22](#) [Ran](#) [P_239](#)



[6A](#) [Hask](#) [P_273](#)



[8B](#) [Pa36](#) [P_303](#)



[6B](#) [Up+](#) [P_331](#)



[51](#) [Time - Time_out](#) [P_369](#)



54 Nanotech P_399



62 Xero P_423



50 Bamboo P_447



10 Line P_465



75-76 X-Change_mono P_485



72-73 X-Change P_531



Electronic washbasin taps P_567



Showers & Thermostatics P_587



Cleaning - Flushing P_674



21 Piccadilly P_677



44 Old Italy P_691



36 Romantica P_717

Retrò - Spare parts - Accessories P_736



Bath Accessories P_739



Kitchen P_775



Concealed Parts - Accessories P_789

Cleaning/maintenance P_832

Analytical Index P_834

General conditions of sale P_840



Company

Four decades after it was founded, Treemme Rubinetterie continues to propose new collections ranging from the most traditional to the most innovative, while preserving those characteristics that have allowed it to flourish and prosper: high quality, impeccable service and the added value of Made in Italy.

In recent years, the company has enjoyed great success in relation to design, focussing on the personalisation and innovation of its products without neglecting the classic and more traditional lines.

Treemme Rubinetterie has received a number of prestigious awards, including DESIGN PLUS, in 2007, for Blok by Giancarlo Vegni, and in 2011, for Philo, designed by Gianluca Belli/Phi Cubo and for Light, designed by Danilo Fedeli. The 5mm project, by Ocostudio e ing. Castagnoli, won the Design Plus award in 2013, and in 2014 it received the GRAN DESIGN ETICO, the GERMAN DESIGN AWARD, the prestigious RED DOT DESIGN AWARD, ADI DESIGN INDEX AWARD and the PREMIO COMPASSO d'ORO 2016. Its latest creation, the 22MM, again designed by Ocostudio e ing. Castagnoli, won the ADI Ceramics Design Award.

Treemme Rubinetterie was founded in 1968, in Asciano, in the province of Siena. Originally, it was called "Rubinetterie Toscane 3M", a reference to the singular coincidence that the surname of all three founding members starts with the letter M (Renato Michelangioli, Armando Medina and Guido Mencarelli).

The company started out as a workshop specialised in the entire tap production process (casting, galvanising, polishing, finishing and assembling) and quickly evolved thanks to the outstanding organization that characterised it from day one. Consumers soon recognised and appreciated its meticulous approach to quality and customer service.

In 1980, the company started a new colour trend by launching the Arcobaleno (Rainbow) collection, created with the valuable collaboration of the DESIGN CALONACI & GAZZEI studio. In 1989, during its main phase of international expansion, it changed its name, first to Rubinetterie 3M (without the word "Toscane") and then to Treemme Rubinetterie, establishing a brand that today is appreciated both in Italy and abroad.





Azienda

Dopo più di 40 anni di attività, Treemme Rubinetterie propone costantemente nuove collezioni che spaziano dalle linee più innovative a quelle più tradizionali, conservando intatte le caratteristiche che ne hanno consentito la nascita e lo sviluppo: alta qualità, servizio impeccabile e la forza del made in Italy.

Negli ultimi anni l'azienda ha ottenuto grandi risultati nel settore del design grazie ad una maggiore cura alla personalizzazione e all'innovazione dei prodotti, tutto questo senza tralasciare le linee più classiche e tradizionali.

Treemme Rubinetterie è stata insignita di prestigiosi riconoscimenti quali il DESIGN PLUS nel 2007 con Blok di Giancarlo Vegni, nel 2011 con Philo disegnato da Gianluca Belli/Phi Cubo e con Light di Danilo Fedeli. Con il progetto



5mm di Ocostudio e ing.Castagnoli, oltre al Design Plus nel 2013, ha inoltre vinto nel 2014 anche il GRAN DESIGN ETICO, GERMAN DESIGN AWARD, il prestigioso RED DOT DESIGN AWARD, ADI DESIGN INDEX ed infine l'ambito PREMIO COMPASSO d'ORO ADI 2016. Mentre per l'ultima nata la 22MM sempre del duo Ocostudio e ing.Castagnoli, è stato vinto il premio ADI Ceramics Design Award.

Treemme Rubinetterie nasce nel 1968 ad Asciano in provincia di Siena. L'azienda fu inizialmente chiamata "Rubinetterie Toscane 3M" per una curiosa coincidenza, ovvero l'iniziale del cognome dei tre i soci fondatori (Renato Michelangioli, Armando Medina e Guido Mencarelli).

Treemme Rubinetterie nasce come officina artigianale dove si realizza il ciclo completo di produzione del rubinetto (fonderia,

galvanica, pulimentatura, verniciatura e assemblaggio) e cresce in fretta grazie all'ottima organizzazione della quale si avvale fin da subito. I clienti non tardano a riconoscere e ad apprezzare la meticolosa attenzione che viene rivolta alla qualità e al servizio al consumatore.

Nel 1980 l'azienda lancia la moda del colore realizzando la collezione Arcobaleno con la preziosa collaborazione dello studio DESIGN COLONACI & GAZZEI.

Nel 1989, durante la fase di maggior internazionalizzazione, il nome dell'azienda viene modificato in "Rubinetterie 3M" fino ad arrivare al più recente Treemme Rubinetterie, un brand ad oggi affermato e apprezzato anche oltre i confini nazionali.

Designed in Italy - Made in Italy

At Treemme Rubinetterie the raw materials as well as the design are Made in Italy. Ever since it was founded, the company has been creating its products with the valuable collaboration of great designers, mostly Italian, thanks to whom the brand has won a number of awards.

Recently, the Treemme Rubinetterie has been rewarded with prestigious prizes such as the German Design Awards, the Red Dot Design Award, the Design Plus Award, as well as the ADI Design Index, ADI Ceramics Award and Premio Compasso d'oro.

Treemme Rubinetterie preserves the quality of its products and their individual components by carefully selecting its suppliers in Italy and carrying out 80% of its production in-house.

A worldwide network of commercial agents, in contact with all the main national and international showrooms, takes care of the marketing side of the business. This distribution network allows the company to better satisfy its clients' needs by offering immediate assistance and an incredible 15 year guarantee on all its products.

La scelta del made in Italy non avviene solo per le materie prime ma anche per il design.

Da sempre Treemme Rubinetterie si avvale del prezioso contributo di designer per lo più italiani per la progettazione dei prodotti, collaborazioni che hanno portato il brand ad essere premiato con numerosi riconoscimenti.

Negli ultimi anni l'azienda è stata insignita di prestigiosi premi come il German Design Award, il Red Dot Design Award, il Design Plus, ADI Design Index, l'ADI Ceramics Award e Premio Compasso d'Oro.

Treemme Rubinetterie ha scelto di conservare intatta la provenienza dei propri prodotti e dei diversi componenti degli stessi, selezionando attentamente i fornitori nazionali e realizzando in stabilimento più dell'80% della produzione a catalogo.

La commercializzazione è affidata ad una rete mondiale di agenti che distribuiscono i prodotti nelle più grandi showroom nazionali ed internazionali. La capillare rete di distribuzione consente all'azienda di soddisfare maggiormente le esigenze dei clienti ai quali offre un'assistenza immediata ed una garanzia di ben 15 anni sui propri prodotti.



WRAS
Water Regulations Advisory Scheme

W[®]
WaterMark

PUB
Water for All: Conserve, Value, Enjoy

OQC
ORIGINE E QUALITÀ CONTROLLATA
BY NSF INTERNATIONAL

NSF
C US
NSF/ANSI 61/9
ASME A112.18.1
CSA B125.1
U.P. CODE

SI RIMANDA ALL'OFFICIAL LISTING NSF PER
CONSULTARE LA LISTA DEGLI ARTICOLI CERTIFICATI
PLEASE CHECK THE NSF OFFICIAL LISTING
TO VERIFY THE CERTIFIED ARTICLES

SISTEMA QUALITÀ CERTIFICATO

ese — **Net** —
THE INTERNATIONAL CERTIFICATION NETWORK

UNI EN ISO 9001 : 2008

ATTESTATION DE CONFORMITE SANITAIRE
ACS

International Quality Standard

Treemme Rubinetterie keeps updating and renewing the certifications it has obtained in relation to the quality of its products and management systems and the compliance with environmental policies according to the standards required. Rubinetterie Treemme stands out for the quality of its products, its experience, technology and style, and today is particularly focussed on its environmental approach.

Reducing its water consumption and the quantity of Lead and Nickel in its production process are just some of its main commitments to the environment. This is achieved by using the company's special technologies (RUVECO, ECO-CARTRIDGE, ENERGY-SAVING SYSTEM etc.) as well as special brass alloys.

Attention to environmental issues starts during the very early stages of production, by introducing production systems with a very low environmental impact, such as sophisticated water depuration systems that allow to recycle all the water used in the chromium plating process. A new closed-loop wastewater management process allows to reduce considerably the amount of water and chromium in muddy residues. Reducing waste in this case means reducing costs as well as any water-related impact on the environment while at the same time lowering power consumption and pollution emissions and improving employees' working conditions.

Using only materials of the highest quality, with the characteristics required to obtain international product certifications, is another essential aspect.

Individual product quality certifications (ACS in France, PUB in Singapore, NSF61 in the US, WATERMARK in Australia, BELGAAQUA in Belgium); ISO9001 process compliance certification, and OQC, quality and origin certification, which guarantees the quality and origin of products MADE IN ITALY.

Treemme Rubinetterie possiede e persegue con continui aggiornamenti le certificazioni di qualità dei prodotti e dei servizi di gestione, del rispetto delle politiche ambientali secondo gli standard previsti. Rubinetterie Treemme si distingue per qualità, grande esperienza, tecnologia, stile, ed oggi vuole focalizzare l'attenzione sulla sensibilità che l'Azienda pone nei confronti dell'ambiente.

Ridurre il consumo dell'acqua, diminuire le quantità di Piombo e Nichel nella produzione, sono solo alcuni degli aspetti di maggiore importanza per l'eco sostenibilità.

Tutte caratteristiche raggiunte grazie all'utilizzo di speciali tecnologie (RUVECO, ECO-CARTRIDGE, ENERGY-SAVING SYSTEM etc.) di cui l'azienda dispone, oltre all'utilizzo di speciali leghe di ottone.

Il rispetto per l'ambiente viene considerato sin dalle prime fasi di produzione, con l'introduzione di cicli produttivi a livelli minimi di impatto ambientale, come i sofisticati impianti di depurazione e riciclo completo dell'acqua utilizzata per la cromatura. Un innovativo processo di trattamento delle acque a ciclo chiuso permette, infatti, di ridurre in modo consistente il contenuto in acqua e cromo dei fanghi residuali da smaltire. Ridurre lo spreco in questo caso non significa quindi solo abbassare i costi economici e ambientali legati all'acqua ma anche all'energia e alle emissioni inquinanti ad essa collegate, oltre che tutelare le condizioni di lavoro dei dipendenti.

Sempre maggiore importanza è riservata anche all'utilizzo di materiale di alta qualità e con caratteristiche idonee per poter acquisire le più importanti certificazioni di prodotto internazionali.

Marchi dei singoli prodotti (ACS francese, PUB singaporesse, NSF61 americana, WATERMARK australiana, BELGAAQUA belga), marchio di processo ISO9001 e della certificazione di origine OQC (Origine Controllata Qualità) che garantisce oltre alla qualità del prodotto anche la reale provenienza del MADE IN ITALY.



References

Italy

Grand Hotel Bastiani
Grosseto

Toscana Resort Castelfalfi
Montaione - Firenze

Grand Hotel Terme
Castrocaro - Forlì Cesena

Grand Hotel Baglioni
Firenze

Hotel Residence Roccamare
Castiglione Della Pescaia
Grosseto

Hotel El Balear
Alghero - Sardegna

Helvetia & Bristol
Firenze

Turin Palace
Torino

Antico Masetto
Pistoia

Baja Hotel
Sardegna

Horse Country
Sardegna

Corte Fiorita
Sardegna

Il Convento
Rapallo

La Bisaccia
Sardegna

Sofitel Thalassa Timi Ama
Sardegna

Catalunya
Sardegna

Club Hotel
Sardegna

La Valle
Sardegna

Villa Cpichera
Sardegna

San Pietro
Napoli

Viminale
Roma

Astor
Modena

Joli
Valverde Di Cesenatico

La Pace
Bastia Umbra

La Tana
Maratea

Sole Mare
Ventimiglia

Colostrai
Sardegna

Hotel Montirò
S.Maria di Leuca

Croatia
Borovnik
Tisno

France
Clim Hotel
Paris

Mercure
Pau

Mercure
Bordeaux

Mercure
Hyerès

Mercure
Nice

Gray D'albion
Cannes

Hostellerie De Plaisance
Saint Emilion

Hotel Du Pont Vieux
Carcassonne

Aigle Noir - Hôtel
Fontainebleau

Hotel Michel Bras
Laguiole

Hotel Best Western Beausejour
Lourdes

Le Mas Des Herbes Blanches
Joucas

Le Chabichou - Hôtel & Spa
Courchevel

Greece
The Margi Hotel
Vouliagmeni Athens

Candia Park Village
Agios Nikolaos Crete

Milos Cove
Milos

Asterias
Thessaloniki

Somewhere Boutique Hotel
Vouliagmeni Athens

Hotel Cavo Tagoo
Mykonos

Domes Noruz
Chania Crete

Katikies
Mykonos

Manoulas Beach Hotel
Mykonos

Mykonos Bay
Mykonos

Mykonos No5
Mykonos

Portugal
Hotel Santiago de Alfama
Lisboa

Spain
Las Piramides
Malaga

Edificio Nuñez de Balboa
Madrid

Casa Alberola Alicante,
Curio Collection by Hilton
Alicante

Edificio Norte
(San Pedro de Alcantara) Malaga

Poland
Indigo Hotel
Warsaw

Canada
Dorval
Montreal

Dominican Republic
Plaza Colonial
Santo Domingo

Emirates
Old Town Project
Dubai

Golf Tower
Dubai

Saudi Arabia
Yusuf Bin Aimeed Kanoo
Saudi Building - Riyadh

South Africa
Deunkeld 105 Properties
Johannesburg

Malesia
Le Meridien
Kota Kinabalu

Shangri-La
Kota Kinabalu

Taiwan
One
Taichung

Le Meridien
Taipei

Mainland China
Star River Residential

Shimao Huajiachi

Shimao Nanjing Xiaguan

Shimao Suzhou Yunhecheng

Shimao Wuhan

Star River Haiyi
peninsula phase III

Star River Haiyi
peninsula phase IV

Star River Shanghai hotel

Star River Shanghai phase II

Star River Pudong phase III

Star River Xi'an

Star River Hotel Pudong

Star River Tai Yuan

Star River Hotel Shanghai

Star River Macau

Star River Phoenix Valley
Residential

Hong Kong
The Cadogan
150 Belcher's Street

Belcher 97
7, Belcher's Street

The Babington Hill
23 Babington Path

The King's Hill
38-52 Western Street

Twin Regency
11, Tak Yip Street

Shatin Hotel
Sun Hung Kai Property

W680 Commercial Building
680 Castle Peak Road

Designers



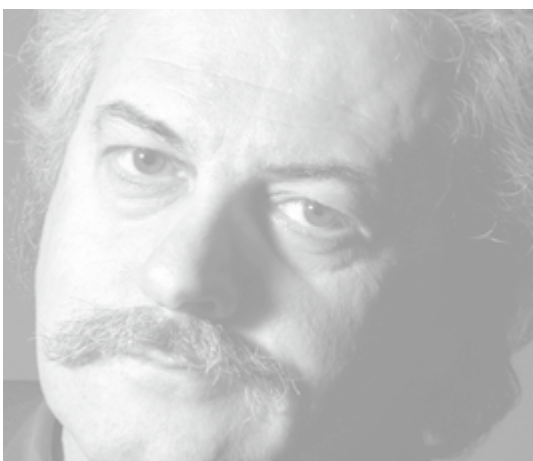
EMANUEL GARGANO - MARCO FAGIOLI

Both Emanuel Gargano and Marco Fagioli are graduates of the Istituto Superiore per le Industrie Artistiche di Urbino (1994-1998), and after a few years of professional experience, they founded their studio in Umbria. Their work experiments directly with a variety of materials, used both as visual tools and as a mode of expression. They are currently involved in private home projects, installations, communications projects and industrial designs. In 2008 they won the Good Design Award from the Chicago Athenaeum for their Multiplo project for the Indesit Company. In that same year they also received the Kitchen of the Year award for their Anima Space Kitchen project from the Danish magazine BoBedre, designed for Binova. That same project was, furthermore, also chosen by Elle Decor International Design Awards in the Kitchens category. The installation they designed for Vaselli, Marmomacc 2009 won them the Best Communicator Award 2009. In 2013 They won the Design Plus for the collection 5MM designed to Treemme taps.



PHICUBO _ ALESSANDRA BERTINI - GIANLUCA BELLI

Gianluca Belli comes to Design following an unusual and non-linear path. Design as a place where mechanical design, studied during high school at a technical college and the aesthetic-formal education, gained during his artistic studies at university, split between the D.A.M.S. (Art, Music and Performing Faculty) of Bologna and the Accademia di Belle Arti (Fine Arts Academy) of Florence, where he studied sculpting. During this period he participated in various illustration and painting group exhibitions. The guideline of his Design is aesthetic and conceptual functionality. "Rethink the world" is his design approach, a modus operandi which he shares with architect Alessandra Bertini, a graduate of the Faculty of Architecture of Florence in 2004 with a thesis on Universal design. This is what led to the creation of Phicubo. Active since March 2007, Phicubo has been involved in design and research, linking its name to the topic of eco-sustainability and Universal Design, for which it has been rewarded by the Tuscan Region in 2010 as one of the 60 eco-efficient companies in Tuscany. Besides the continuing research on biodegradable materials and alternative energies, Phicubo collaborates with various Italian companies in different areas of design, from the furnishing sector, pharmaceuticals, to architecture and urban furnishings.



GIANCARLO VEGNI

A Designer With A Multidisciplinary Approach, He Boasts A Well-Established Experience In The Kitchen Furnishing Sector, Gained By Working In The Ferretti Design Team Since 1968. Since 1976 He Has Been Heading His Studio, Working In The Industrial Design, Interior Design And Communication Sectors. His Projects Are Based On Functionality And Essential Lines. His Activity Is Varied, Moving With Ease Between Different Product Types. He Designs Kitchens, Bathrooms, Living Areas, Shops And Exhibition Stands And Works In Different Market Sectors Such As Furniture, Sailing, Cars And Interior Architecture. He Continually Seeks The Distinguishing Detail Of An Object To Highlight Its Identity. His Goal Is To Give Emotions And Well-Being. He Works For Established Brands Such As Effeti, For Whom He Coordinates The Artistic Design And Corporate Identity, Edra, Seven, Antonio Lupi, Fasem, Mazzei, Zanussi, Iveco, Novamobili, Unitalia, Bertocci, Lema, Candy, Treemme, Valli&Valli. Highly Regarded And Internationally Famous, He Exports The Quality Of Italian Design Around The World.



MASSIMILIANO BRACCONI

was born on 25 November 1974 in Civita Castellana. After completing the Art School, he graduated from the European Institute of Design (IED) in Rome In 2000 he founded his own studio in Viterbo starting to collaborate with international companies such as Designer, Art Director and Artist. Wins A'Design awards 2016, German Design Award 2017, Icon Awards 2018, Icon Awards 2019, Index ADI 2019 (Compasso D'oro 2020 Selection), the Archiproduct Design Awards 2019, the Good Design Awards of Chicago 2020 and the IF Design Award 2020. Chameleonic and visionary artist, he realizes his utopias in the widest and most liberating sense possible, advances himself by constantly seeking a taste for "aesthetics" as an authentic experience of the individual. Constantly searching for unusual visual and sensorial concepts, he combines art and design, creating his own language pure visual free from the usual and infected realities. His pristine sign examines human consciousness, observes the past and current cultural taste, however he creates comely and visionary chimeras, avant-garde products and works that he presents to sophisticated and atypical viewers.
"Unconventional visionary artist"

STUDIO Q-BIC

Q-bic is a full service visual identity and branding agency. Founded in 2005 by brothers Luca (Architect) and Marco Baldini (Designer) their projects range from architectural statements and graphic identity projects through to scenography (theatres) and commercial design projects (temporary events). "We conceive our design projects as an attitude or statement where there is a recognizable character. Once this character takes form and identity, we are then able to deliver this identity through the relevant spaces and creative mediums"



DANILO FEDELI

Daniilo Fedeli was born in Lucignano (Province of Arezzo) in 1973. He graduated, cum laude, in industrial design at the Faculty of Architecture of Florence, with a thesis on the bathroom and its new ethical and social dimension in relation to water. He worked as a designer for a well-known company operating in the shower systems sector, where he gained significant experience in the bathroom sector, before going freelance. In 2008 he founded his 3df studio, developing design projects. Today he collaborates with well-known national companies and designs furnishing products and even stagings for the fashion sector. He continually seeks new uses for shapes, and believes that beauty is not designable, but that it lies silently in the simplicity of continuous lines. His works are a sophisticated combination of everyday experiences and passions, in a single vision of the world to be. He has participated at international competitions and has achieved significant results. A fellow of the ADI (Italian Industrial Design Association) as of 2009.



GIAMPIERO CASTAGNOLI

Giampiero Castagnoli graduated in mechanical engineering in 1974. He has dedicated his successful career to the bathroom fixtures industry, holding important managerial roles in leading companies both in Italy and across Europe. Since 1985 he has completely renovated the company's product range and been involved in design, planning, engineering and internal production. The registration of significant patents has improved considerably the range of products, especially in relation to taps (for example, the PWS system). During the years, he has published a number of articles in specialised magazines and university textbooks. Since 2008, he works as a freelancer offering his expertise to a number of leading companies in the bathroom fixtures & design business.




MARCO PISATI

Designer fascinated by new materials and new technologies, tests his ideas in the most extreme sectors: starting from the aerospace, designing interiors bound to the concept of space habitability in absence of gravity for the A.S.I. (Italian Space Agency), reaching the earth's nomadic one, realizing the first example of interactive nomadic office (Motorhome Aci 2002). Invited to expose his works at Leopolda Exposition in Florence (Deep Inside-Image 2003) he presented with the company Grado Zero Espace, leader brand in the aerospace textile branch, a prototype of a jacket for astronauts in Diaplex (a tissue with a memory of shapes). He cooperates with companies as : A.S.I., Alenia Spazio, Iacsa, Grado Zero Espace, Iguzzini Illuminazione, A.C.I., Emilio Pucci (LVMH group), Bandini Rubinetterie, Il Bagno Bandini, K8 Radiatori, Glass Design, Ceramica & Complementi, 3M Rubinetterie.



COMPLEET ARTIKEL
 COMPLETE ITEM
 ARTICLE COMPLET
 KOMPLETNY PRODUKT

A



B C


CC	IT 4B11 CC QT ZZ	340,00
NN	IT 4B11 NN QT ZZ	453,00
BB	IT 4B11 BB QT ZZ	453,00
NL	IT 4B11 NL QT ZZ	442,00
NF	IT 4B11 NF QT ZZ	442,00
HH	IT 4B11 HH QT ZZ	525,00
CZ	IT 4B11 CZ QT ZZ	525,00
UZ	IT 4B11 UZ QT ZZ	525,00
DD	IT 4B11 DD QT ZZ	708,00
DZ	IT 4B11 DZ QT ZZ	708,00
SZ	IT 4B11 SZ QT ZZ	708,00

D

Wastafelmengkraan 126
 Washbasin mixer 126
 Mitigeur lavabo 126
 Bat. umywalkowa - mieszacz - 126

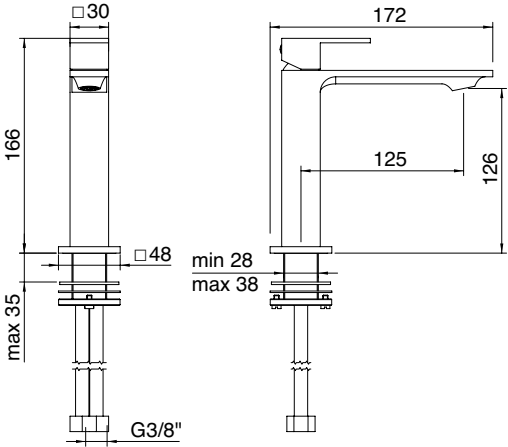
F

G



ITRTVT267ZZ ITRTAE187ZZ ITRTAT105ZZ 5 l/min

E



A Productfoto
 Product photo
 Photos du produit
 Zdjęcie produktu

B Kleurafwerking product
 Product finish
 Finition du produit
 Wykończenie produktu

C Artikelcode
 Article code
 Code article
 Kod produktu

D Prijs
 Price
 Prix
 Cena

E Technische tekening
 Technical drawing
 Dessin technique
 Rysunek techniczny

F Productbeschrijving
 Product description
 Description du produit
 Opis produktu

G Productsymbolen
 Product symbols
 Symboles du produit
 Symbole części

ARTIKEL AFBOUWDEEL + INBOUWDEEL
EXTERNAL PART + CONCEALED BODY
HABILLAGE + CORPS À ENCASTRER
ELEMENT ZEWNĘTRZNY + ELEMENT WEWNĘTRZNY

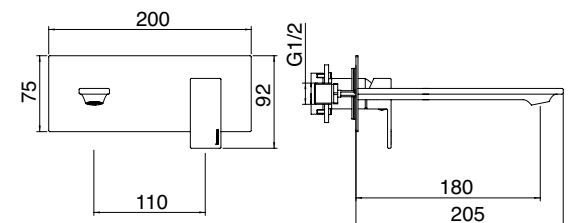


H			
CC	RWIT 4BA5 CC 01	273,00	
NN	RWIT 4BA5 NN 01	389,00	
BB	RWIT 4BA5 BB 01	389,00	
NL	RWIT 4BA5 NL 01	383,00	
NF	RWIT 4BA5 NF 01	383,00	
HH	RWIT 4BA5 HH 01	470,00	
CZ	RWIT 4BA5 CZ 01	470,00	
UZ	RWIT 4BA5 UZ 01	470,00	
DD	RWIT 4BA5 DD 01	604,00	
DZ	RWIT 4BA5 DZ 01	604,00	
SZ	RWIT 4BA5 SZ 01	604,00	

Inbouw wastafelmengkraan 180
Concealed washbasin mixer 180
Mitigeur lavabo à encastrer 180
Bat. umywalkowa - mieszacz - 180



I			
	RWIT 51A5 ZZ 01	138,00	
+	INBOUWDEEL - CONCEALED BODY		
	CORPS À ENCASTRER - EL. WEWN. TRZNY		



H Afbouwdeel te combineren met "I" inbouwdeel
External part to be combined with concealed body "I"
Habillage à combiner avec corps à encastrer « I »
El. zewnętrzny do montażu z el. wewnętrznym "I"

I Inbouwdeel te combineren met "H" afbouwdeel
Concealed body to be combined with external part "H"
Corps à encastrer à combiner avec habillage « H »
El. wewnętrzny do montażu z el. zewnętrznym "H"

L Referentiepagina voor inbouwdeel
Reference page for concealed body
Page de référence pour le corps à encastrer
Strona cennika dla el. wewnętrznego

Order voorbeeld van een Q30 inbouw wastafelmengkraan in kleurafwerking CC Chroom
Example of order for concealed washbasin mixer Q30 in Chrome Finish CC
Exemple pour commander le mitigeur lavabo à encastrer Q30 en finition Chromé CC
Przykład zamówienia baterii podtynkowej Q30 w wykończeniu chrom CC

H Inbouw wastafelmengkraan 180 - Concealed washbasin mixer 180
Mitigeur lavabo à encastrer 180 - Bat. umywalkowa - mieszacz - 180 RWIT 4BA5 CC 01 273,00

+

I Inbouwdeel - Concealed body
Corps à encastrer - Element wewn" trzny **RWIT 51A5 ZZ 01 138,00**

=

TOTAL 411,00

UITWISSELBAARHEID 2/3 WEG INBOUW DOUCHEMENGKRANEN
 MODULARITY OF 2/3 WAYS CONCEALED SHOWER MIXER
 MODULARITÉ DES MITIGEURS ENCASTRÉS À 2/3 SORTIES
 MODUŁ Z 2/3 – DROŻNYM EL. WEWNĘTRZNYM

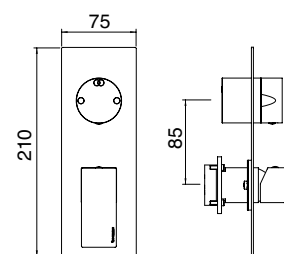


B

CC	RWIT 4BA2 CC 01	340,00
NN	RWIT 4BA2 NN 01	484,00
BB	RWIT 4BA2 BB 01	484,00
NL	RWIT 4BA2 NL 01	476,00
NF	RWIT 4BA2 NF 01	476,00
HH	RWIT 4BA2 HH 01	586,00
CZ	RWIT 4BA2 CZ 01	586,00
UZ	RWIT 4BA2 UZ 01	586,00
DD	RWIT 4BA2 DD 01	752,00
DZ	RWIT 4BA2 DZ 01	752,00
SZ	RWIT 4BA2 SZ 01	752,00

RWIT 22A2 ZZ 01 237,00

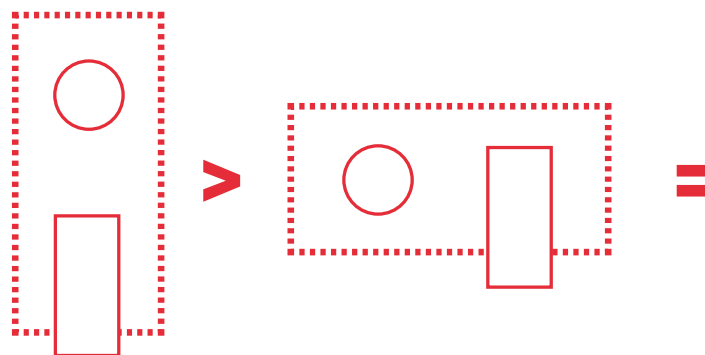
+ INBOUWDEEL - CONCEALED BODY
 CORPS À ENCASTRER - EL. WEWN! TRZNY



Inbouw douchemengkraan met 2-weg omstel
 Concealed mixer with 2 ways diverter
 Mitigeur à encastrer avec inverseur à 2 sorties
 Bat. natryskowa 2 - drożna - mieszacz



RWIT4BC8ZZ10
 ITRTVT211ZZ
 1,5cm RWIT51ASZZ80
 3cm RWIT51ASZZ85
 5cm RWIT51ASZZ90
 RWIT22A2_06
 18 l/min
 2 IN - 2 OUT
 N° 11
 RWIT8A72ZZ90



Aa Horizontaal model
 Horizontal model
 Modèle horizontal
 Wersja pozioma

Ab Specifieke onderdeel code
 Specific code part
 Code spécifique du modèle
 Kod dla wersji

B Afwerking en prijs
 Finish and price
 Finition et prix
 Wykończenie i cena



NIEUWE UNIVERSELE INBOUWDOZEN VOOR OVEREENKOMENDE ARTIKELEN
 NEW UNIVERSAL CONCEALED BOXES FOR ITEMS FAMILIES

Wastafel / wanddouche
 Washbasins / wall shower
 Lavabos / douche murale
 mieszacz umywalka/WC



ONLY  50mm

Wastafel / douche 1 weg
 Washbasin / shower 1 way
 Lavabo / douche 1 voie
 mieszacz 1- drożny



ONLY  50mm

Douche 2/3 weg
 2/3 way shower
 Douche 2/3 voies
 mieszacz + przełącznik 2/3 drożny



ONLY  55mm

Inbouw bad/douche mengkraan
 Concealed bath/shower mixer
 Mitigeur bain/douche à encastrer avec inverseur
 mieszacz wanna/natrysk + przełącznik



ONLY  50mm

2/3 weg thermostaat
 2/3 ways thermostatic
 Thermostatique 2/3 voies
 termostat + przełącznik 2/3 drożny



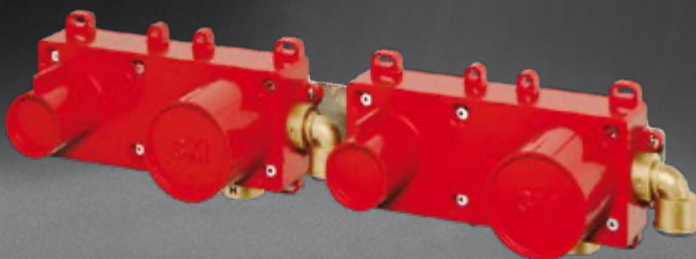
ONLY  55mm

2/3 weg inbouw omstel
 2/3 ways concealed diverter
 Inverseur à encastrer à 2/3 sorties
 przełącznik 2/3 drożny



ONLY  60mm

Bad / douche
 Bath / shower
 Baignoire / douche
 wanna - mieszacz x 2



ONLY  50mm

Bad / douche
 Bath / shower
 Baignoire / douche
 natrysk/wanna - mieszacz x 2



ONLY  50mm

NOUVELLES BOÎTES À ENCASTRER UNIVERSELLES POUR FAMILLE D'ARTICLES
NOWE UNIWERSALNE ELEMENTY WEWNĘTRZNE (PODTYNKOWE)

Gereduceerde inbouwdiepte

Installatie is mogelijk in elk type wand

In het bijzonder geschikt voor dunne gipskartonwanden

Bevestigingsbeugels voor gipskartonwanden d.m.v. gepatenteerd systeem

Shallow concealed depth

Installation is possible in any type of wall

Particularly thin plasterboard walls

Patented system of fixing brackets for plasterboard walls

Profondeurs d'encastrement réduites

Installation possible dans n'importe quel type de mur

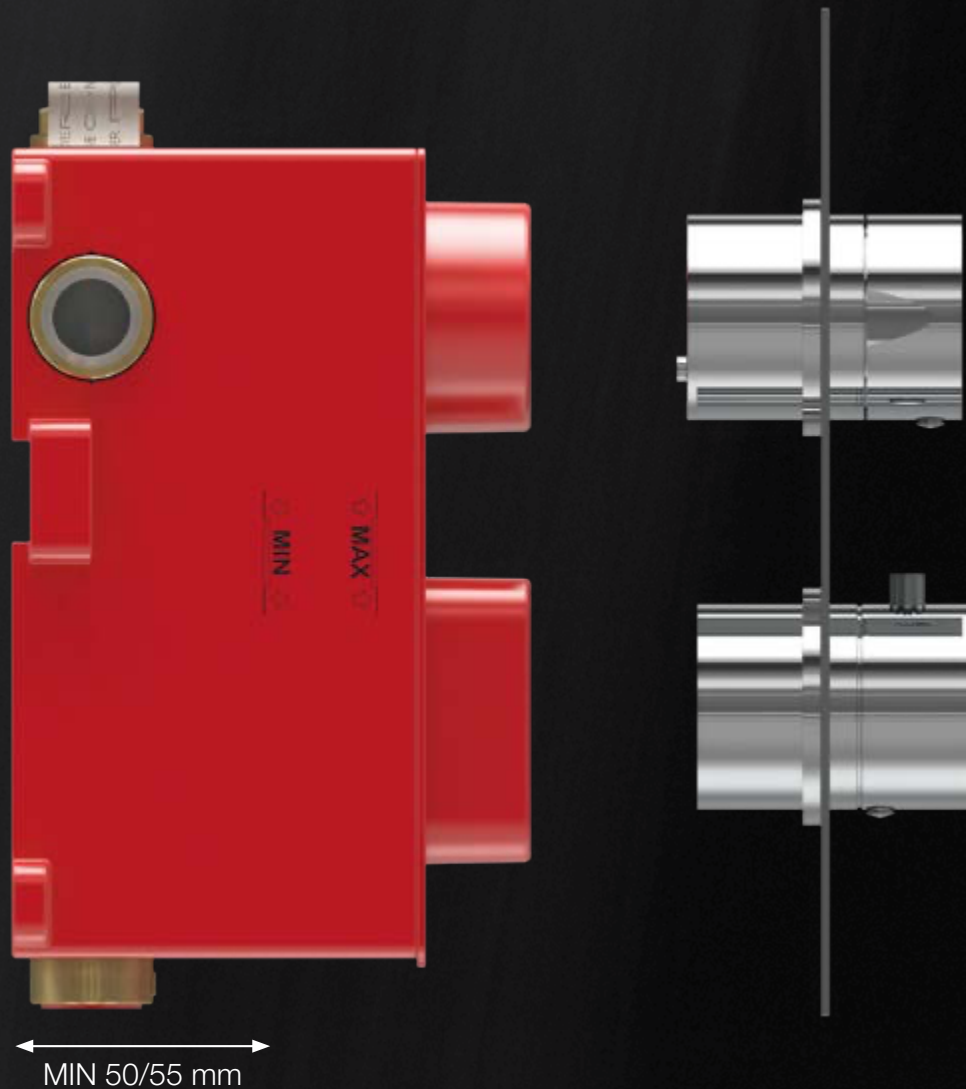
Murs en placoplâtre particulièrement fins

Système breveté d'étriers fixation pour murs en placoplâtre

Płytką głębokość montażu elementu wewnętrznego.

Montaż możliwy w każdym typie ścian.

Opatentowany system mocowań do ścian z płyt gipsowo-kartonowych.



Waterdichte inbouwdoos

Alle inbouwdozen zijn voorzien van Schlüter Systems waterdichte membranen. Elk mogelijk probleem met de cartridge voorkomt lekkages die tot in de muur terechtkomen

Watertight box

All boxes are fitted with Schlüter Systems waterproof membrane. Any and remote problem with the cartridge cannot cause water leaks inside the wall.

Boîte étanche

Toutes les boîtes sont fournies avec une membrane imperméable Schlüter Systems. Un problème éventuel aux cartouches ne pourra pas entraîner de fuite d'eau à l'intérieur du mur.

Wodoszczelna obudowa (box elementu wewnętrznego) wyposażona w wodoodporną membranę Schlüter Systems. Jakiegokolwiek rozszczelnienie wkładu nie spowoduje wycieku wody do wnętrza ściany.

Treemme is Green...



Bescherming van onze natuurlijke leefomgeving is een niet meer te negeren verantwoordelijkheid voor iedereen. Bij Treemme zit dit al diepgeworteld in onze bedrijfscultuur, waarbij we stappen blijven ondernemen om de milieu-impact van ons gehele productieproces te verbeteren: Onze eigen zonnepanelen leveren een totaal vermogen van 106,35 KWh, goed voor ongeveer 8% van ons dagelijkse elektriciteitsverbruik. De rest wordt geleverd door elektriciteitsopwekking van een windpark in Buseto (TP).

The protection of the environment is an indispensable responsibility for all, and for us it has already been rooted in our company culture and been applied naturally in our daily production process. Our photovoltaic system has a total power of 106.35 KWh, supplying for around 8% of our daily electricity consumption. The rest of the electric energy is provided by a wind farm located in Buseto (TP).

La protection de l'environnement est une responsabilité indispensable pour tous, et pour nous Treemme, elle est déjà enracinée dans la culture d'entreprise et appliquée naturellement dans le processus productif quotidien. Notre installation photovoltaïque a une puissance totale de 106,35 Kwh, fournissant environ 8% de notre consommation quotidienne d'électricité. Le reste est fourni par le parc éolien de Buseto (TP).

Ochrona środowiska jest dziś dla każdego nieodzowną odpowiedzialnością, a dla nas w TREEMME codziennością zakorzenioną w kulturze naszej firmy i naturalnie stosowaną w procesie produkcyjnym. Nasz system fotowoltaiczny o mocy całkowitej 106,35 KWh zapewnia około 8% naszego dziennego zużycia energii elektrycznej. Pozostałą część energii elektrycznej dostarcza nam farma wiatrowa zlokalizowana w Buseto (TP).



Verder richten we ons meer en meer op de productie van RVS artikelen en vooral op het gebruik van PVD-afwerkingen, met een lagere milieu-impact dan de traditionele technologieën waarvan in onze sector voornamelijk gebruik wordt gemaakt.

We continue to focus more on developing stainless steel products, especially those in PVD finishes, whose production process has much less impact on environment compares to those produced with traditional technology.

Nous continuons à nous concentrer de plus en plus sur la production d'articles en acier et surtout sur l'utilisation de finitions PVD, qui ont un impact environnemental moindre que les technologies traditionnelles.

Coraz bardziej koncentrujemy się na opracowywaniu produktów wykonanych ze stali nierdzewnej z zastosowaniem wykończeń PVD, których procesy produkcyjne mają znacznie mniejsze negatywne oddziaływanie na środowisko w porównaniu do tych wytwarzanych tradycyjnymi technologiami.

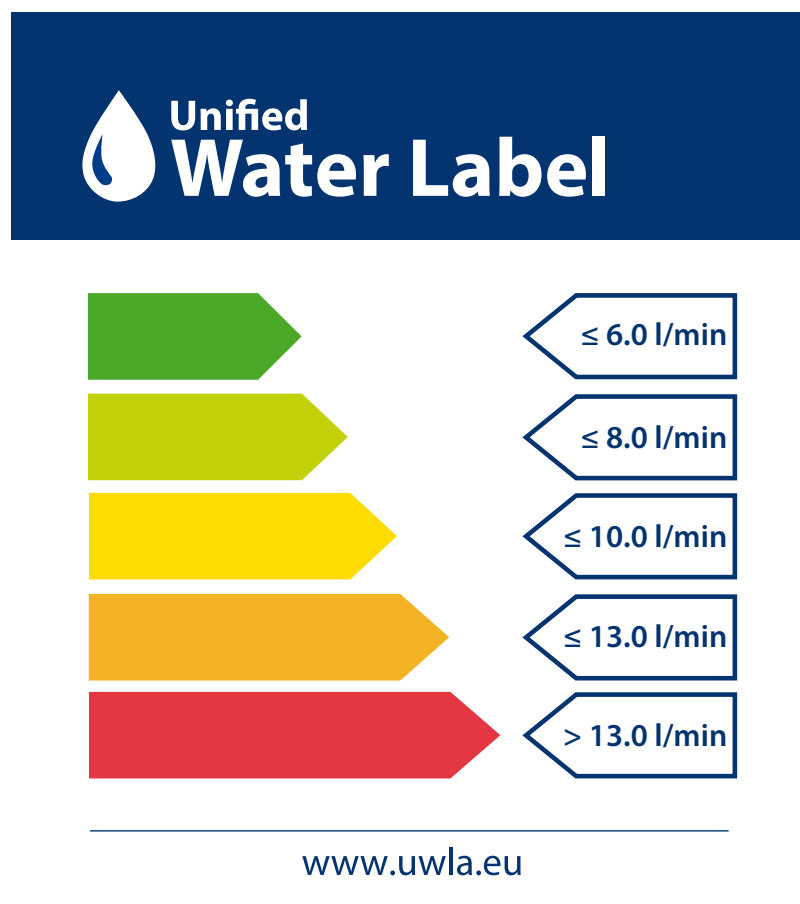
Water Label

Via "Waterlabel" geven we een duidelijk inzicht in het waterverbruik van onze kranen, waardoor klanten bewust kunnen kiezen voor milieuvriendelijke en in gebruik zuinige producten. "Waterlabel" is opnieuw een concreet bewijs van de blijvende duurzame ontwikkelingen van Treemme.

Water label, a scheme clearly presenting the water consumption of mixers allows the customers to make their selections while being conscious of the environmental and economic performance of the products. Water label is also a solid proof of Treemme's commitment to ecological sustainability.

Nous Avons une forte volonté d'informer les consommateurs en apposant sur nos articles un logo issu de l'étiquetage énergétique européen, indiquant leur consommation d'eau en Litres/Min. L'étiquetage Water label, non obligatoire, est la preuve concrète qu'un développement durable existe chez Treemme.

Etykieta wodna to schemat, który zapewnia jasne zrozumienie zużycia wody przez armaturę, umożliwiając klientom dokonywanie świadomego wyboru produktów przyjaznych dla środowiska i ekonomicznych w użyciu. Etykieta wodna jest kolejnym konkretnym dowodem zaangażowania firmy TREEMME w zrównoważony rozwój ekologiczny.



BEDIENINGSTOETSENBORD
CONTROL KEYPAD - CHROMOTHERAPY SHOWER SYSTEM



STAND-BY - STAND-BY
STAND-BY - CZUWANIE



ON - ON
ON - ON/OFF



ON - colore fisso - ON - fixed colors
ON - couleur fixe - TRYB RĘCZNY - wybór koloru



ON - mix colori RGB - ON - mixed RGB color
ON - defilement couleur RGB -
TRYB AUTOMATYCZNY - mix kolorów

CONTROL KEYPAD - FARB THERAPIE DUSCHSYSTEM OBSŁUGA STEROWANIA PANELA DESZCZOWNICY Z CHROMOTERAPIĄ

Bedieningstoetsenbord aan/uit: De chromotherapie kan worden in- of uitgeschakeld door middel van de centrale AAN/UIT-knop.

Kleurkeuze: om het bedieningstoetsenbord met de gewenste kleur in te stellen, drukt u meerdere keren op de knop "handmatige modus" totdat u de kleur van uw keuze hebt gevonden. Automatische kleurwisselmodus: om door het hele kleurenspectrum te bladeren, drukt u eenmaal op de automatische modusknop.

Om terug te gaan naar de modus met één kleur, drukt u op de knop "handmatige modus"

Control Keypad on/off: The chromotherapy can be turned on or off by using the central ON/OFF button.

Colour selection: to set the Control Keypad with the desired colour, press the "manual mode" button several times until you find the colour of your choice.

Automatic colour change mode: To scroll through the entire spectrum of colours, press the automatic mode button once.

To go back to the mode with one colour, press the "manual mode" button

Allumage / arrêt du dispositif Control Keypad : La touche centrale ON/OFF permet d'allumer ou d'éteindre la chromothérapie.

Sélection de la couleur : pour configurer le dispositif Control Keypad avec la couleur que vous préférez, il suffit d'appuyer plusieurs fois sur la touche du « fonctionnement manuel » jusqu'à ce que vous trouviez votre couleur favorite. Mode changement de couleur automatique : Pour faire défiler l'ensemble du spectre des couleurs, appuyer une seule fois sur la touche fonctionnement automatique.

Pour revenir au mode avec une seule couleur, il suffit d'appuyer sur la touche « fonctionnement manuel ».

Włączanie/wyłączanie klawiatury sterującej: Chromoterapię można włączyć lub wyłączyć za pomocą środkowego przycisku ON/OFF.

Wybór koloru: aby ustawić żądany kolor klawiatury sterującej, naciśnij kilkakrotnie przycisk „tryb ręczny”, aż znajdziesz wybrany kolor.

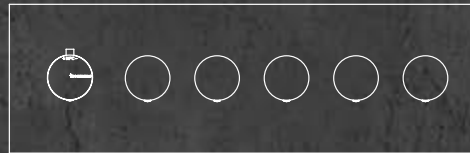
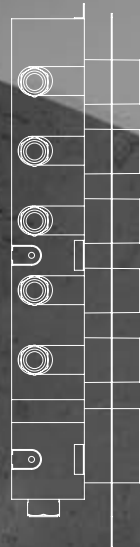
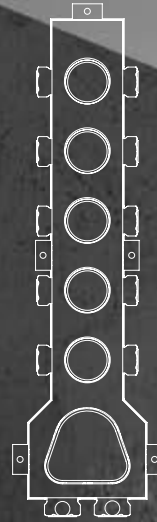
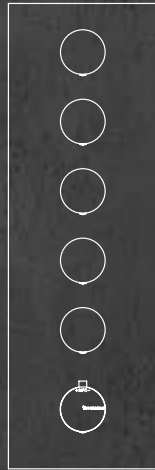
Tryb automatycznej zmiany kolorów: Aby przewinąć całe spektrum kolorów, naciśnij raz przycisk trybu automatycznego.

Aby wrócić do trybu z jednym kolorem, naciśnij przycisk „tryb ręczny”

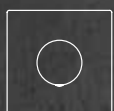
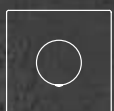
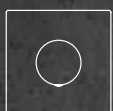
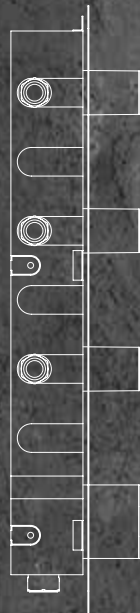
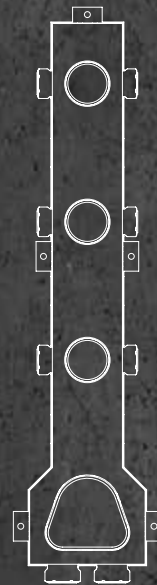
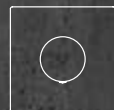
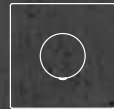


DUBBELE INSTALLATIEMOGELIJKHEID THERMOSTATEN
DOUBLE DIRECTION

Prijslijst symbolen
Price list symbols
Symboles du tarif
Symbol w cenniku

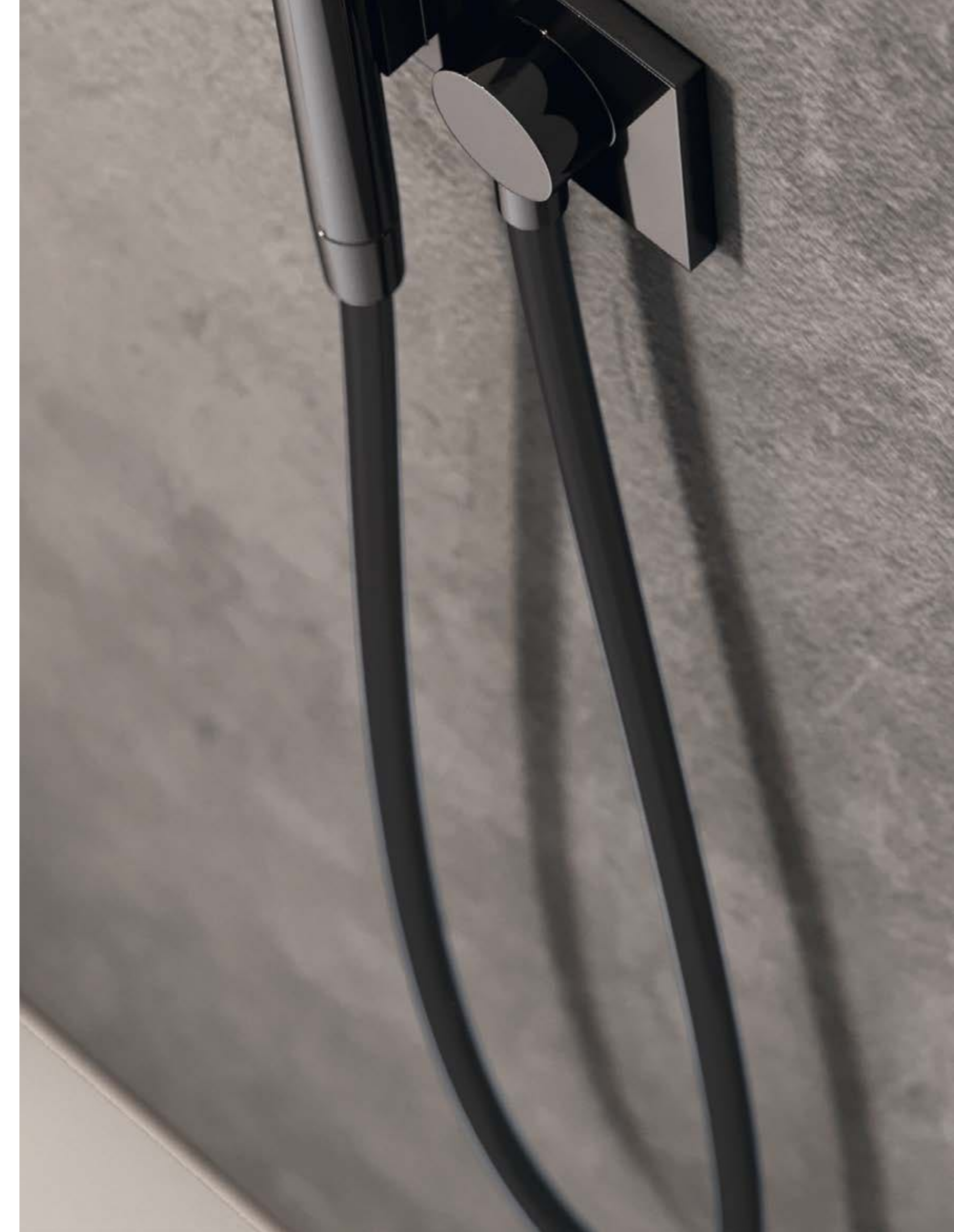


Prijslijst symbolen
Price list symbols
Symboles du tarif
Symbol w cenniku



DOUBLE ORIENTATION
TERMOSTAT - MONTAŻ PIONOWY/POZIOMY





Watt

design by Studio Q-BIC

- chrome **CC**
- matt black **NN**
- matt white **BB**
- polished nickel **NL**
- brushed nickel **NF**
- polished black chrome **HH**
- brushed black chrome **CZ**
- brushed brass **UZ**
- gold **DD**
- brushed gold **DZ**
- brushed rose gold **SZ**



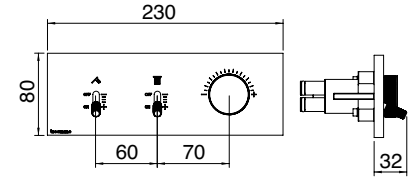


CC	RWIT 2B89 CC 01	560,00
NN	RWIT 2B89 NN 01	745,00
BB	RWIT 2B89 BB 01	745,00
NL	RWIT 2B89 NL 01	728,00
NF	RWIT 2B89 NF 01	728,00
HH	RWIT 2B89 HH 01	863,00
CZ	RWIT 2B89 CZ 01	863,00
UZ	RWIT 2B89 UZ 01	863,00
DD	RWIT 2B89 DD 01	1.164,00
DZ	RWIT 2B89 DZ 01	1.164,00
SZ	RWIT 2B89 SZ 01	1.164,00

Miscelatore monocomando 2 uscite
2 ways concealed mixer
Mitigeur à encastrer à 2 sorties
EHM UP mit 2 Wege



RWIT 2B89 ZZ 30 349,00
+ PARTI INCASSO - CONCEALED BODY
CORPS À ENCASTRER - UNTERPUTZTEIL

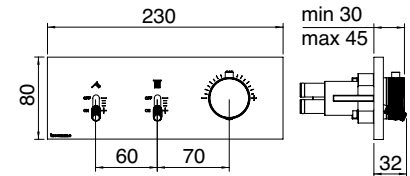


CC	RWIT 2B86 CC 01	606,00
NN	RWIT 2B86 NN 01	807,00
BB	RWIT 2B86 BB 01	807,00
NL	RWIT 2B86 NL 01	788,00
NF	RWIT 2B86 NF 01	788,00
HH	RWIT 2B86 HH 01	934,00
CZ	RWIT 2B86 CZ 01	934,00
UZ	RWIT 2B86 UZ 01	934,00
DD	RWIT 2B86 DD 01	1.261,00
DZ	RWIT 2B86 DZ 01	1.261,00
SZ	RWIT 2B86 SZ 01	1.261,00

Termostatico incasso 2 uscite
2 ways concealed thermostatic
Thermostatique à encastrer à 2 sorties
UP-Thermostat mit 2 Wege



RWIT 2B86 ZZ 30 396,00
+ PARTI INCASSO - CONCEALED BODY
CORPS À ENCASTRER - UNTERPUTZTEIL

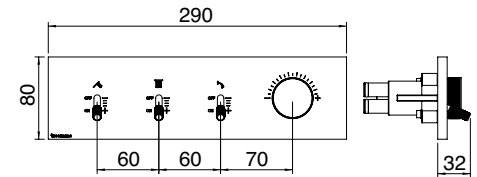


CC	RWIT 2B90 CC 01	652,00
NN	RWIT 2B90 NN 01	868,00
BB	RWIT 2B90 BB 01	868,00
NL	RWIT 2B90 NL 01	848,00
NF	RWIT 2B90 NF 01	848,00
HH	RWIT 2B90 HH 01	1.005,00
CZ	RWIT 2B90 CZ 01	1.005,00
UZ	RWIT 2B90 UZ 01	1.005,00
DD	RWIT 2B90 DD 01	1.357,00
DZ	RWIT 2B90 DZ 01	1.357,00
SZ	RWIT 2B90 SZ 01	1.357,00

Miscelatore monocomando 3 uscite
3 ways concealed mixer
Mitigeur à encastrer à 3 sorties
EHM UP mit 3 Wege



RWIT 2B90 ZZ 30 396,00
+ PARTI INCASSO - CONCEALED BODY
CORPS À ENCASTRER - UNTERPUTZTEIL

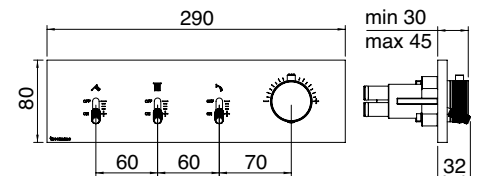


CC	RWIT 2B94 CC 01	699,00
NN	RWIT 2B94 NN 01	930,00
BB	RWIT 2B94 BB 01	930,00
NL	RWIT 2B94 NL 01	909,00
NF	RWIT 2B94 NF 01	909,00
HH	RWIT 2B94 HH 01	1.077,00
CZ	RWIT 2B94 CZ 01	1.077,00
UZ	RWIT 2B94 UZ 01	1.077,00
DD	RWIT 2B94 DD 01	1.454,00
DZ	RWIT 2B94 DZ 01	1.454,00
SZ	RWIT 2B94 SZ 01	1.454,00

Termostatico incasso 3 uscite
3 ways concealed thermostatic
Thermostatique à encastrer avec 3 sorties
UP-Thermostat mit 3 Wege



RWIT 2B94 ZZ 30 443,00
+ PARTI INCASSO - CONCEALED BODY
CORPS À ENCASTRER - UNTERPUTZTEIL







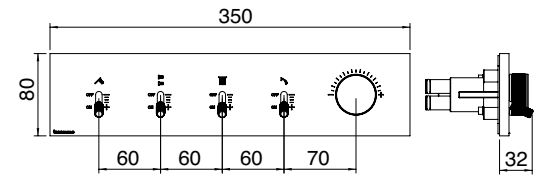




CC	RWIT 2BE4 CC 01	793,00
NN	RWIT 2BE4 NN 01	1.054,00
BB	RWIT 2BE4 BB 01	1.054,00
NL	RWIT 2BE4 NL 01	1.030,00
NF	RWIT 2BE4 NF 01	1.030,00
HH	RWIT 2BE4 HH 01	1.221,00
CZ	RWIT 2BE4 CZ 01	1.221,00
UZ	RWIT 2BE4 UZ 01	1.221,00
DD	RWIT 2BE4 DD 01	1.648,00
DZ	RWIT 2BE4 DZ 01	1.648,00
SZ	RWIT 2BE4 SZ 01	1.648,00

Miscelatore monocomando 4 uscite
4 ways concealed mixer
Mitigeur à encastrer à 4 sorties
EHM UP mit 4 Wege

RWIT 2BE4 ZZ 30 489,00
+ PARTI INCASSO - CONCEALED BODY
CORPS À ENCASTRER - UNTERPUTZTEIL



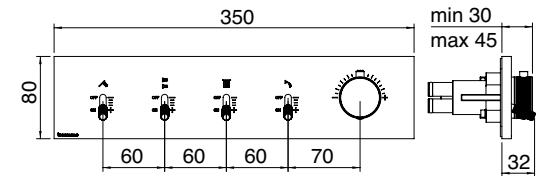
ITRTVT277ZZ RWIT2B86ZZ90 RWIT2B89ZZ50 x4 RWIT2B89ZZ55 MAX 15 l/min MAX 15 l/min MAX 15 l/min MAX 15 l/min TOT - 30 l/min 2 IN - 4 OUT N° 65 P_796



CC	RWIT 2BF4 CC 01	839,00
NN	RWIT 2BF4 NN 01	1.116,00
BB	RWIT 2BF4 BB 01	1.116,00
NL	RWIT 2BF4 NL 01	1.091,00
NF	RWIT 2BF4 NF 01	1.091,00
HH	RWIT 2BF4 HH 01	1.292,00
CZ	RWIT 2BF4 CZ 01	1.292,00
UZ	RWIT 2BF4 UZ 01	1.292,00
DD	RWIT 2BF4 DD 01	1.745,00
DZ	RWIT 2BF4 DZ 01	1.745,00
SZ	RWIT 2BF4 SZ 01	1.745,00

Termostatico incasso 4 uscite
4 ways concealed thermostatic
Thermostatique à encastrer avec 4 sorties
UP-Thermostat mit 4 Wege

RWIT 2BF4 ZZ 30 536,00
+ PARTI INCASSO - CONCEALED BODY
CORPS À ENCASTRER - UNTERPUTZTEIL



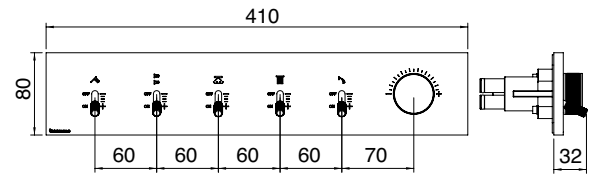
ITRTVT175ZZ RWIT2B86ZZ90 RWIT2B89ZZ50 x4 RWIT2B86_55 MAX 15 l/min MAX 15 l/min MAX 15 l/min MAX 15 l/min TOT - 30 l/min 2 IN - 4 OUT N° 65 P_796



CC	RWIT 2BE5 CC 01	885,00
NN	RWIT 2BE5 NN 01	1.178,00
BB	RWIT 2BE5 BB 01	1.178,00
NL	RWIT 2BE5 NL 01	1.151,00
NF	RWIT 2BE5 NF 01	1.151,00
HH	RWIT 2BE5 HH 01	1.363,00
CZ	RWIT 2BE5 CZ 01	1.363,00
UZ	RWIT 2BE5 UZ 01	1.363,00
DD	RWIT 2BE5 DD 01	1.841,00
DZ	RWIT 2BE5 DZ 01	1.841,00
SZ	RWIT 2BE5 SZ 01	1.841,00

Miscelatore monocomando 5 uscite
5 ways concealed mixer
Mitigeur à encastrer à 5 sorties
EHM UP mit 5 Wege

RWIT 2BE5 ZZ 30 536,00
+ PARTI INCASSO - CONCEALED BODY
CORPS À ENCASTRER - UNTERPUTZTEIL



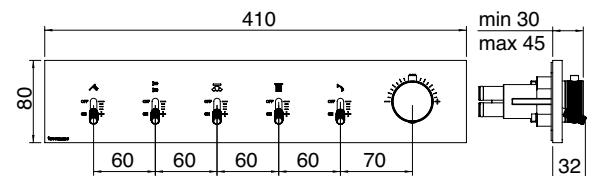
ITRTVT177ZZ RWIT2B86ZZ90 RWIT2B89ZZ50 x5 RWIT2B89ZZ55 MAX 15 l/min MAX 15 l/min MAX 15 l/min MAX 15 l/min TOT - 35 l/min 2 IN - 5 OUT N° 65 P_796



CC	RWIT 2BF5 CC 01	932,00
NN	RWIT 2BF5 NN 01	1.240,00
BB	RWIT 2BF5 BB 01	1.240,00
NL	RWIT 2BF5 NL 01	1.212,00
NF	RWIT 2BF5 NF 01	1.212,00
HH	RWIT 2BF5 HH 01	1.435,00
CZ	RWIT 2BF5 CZ 01	1.435,00
UZ	RWIT 2BF5 UZ 01	1.435,00
DD	RWIT 2BF5 DD 01	1.938,00
DZ	RWIT 2BF5 DZ 01	1.938,00
SZ	RWIT 2BF5 SZ 01	1.938,00

Termostatico incasso 5 uscite
5 ways concealed thermostatic
Thermostatique à encastrer avec 5 sorties
UP-Thermostat mit 5 Wege

RWIT 2BF5 ZZ 30 582,00
+ PARTI INCASSO - CONCEALED BODY
CORPS À ENCASTRER - UNTERPUTZTEIL



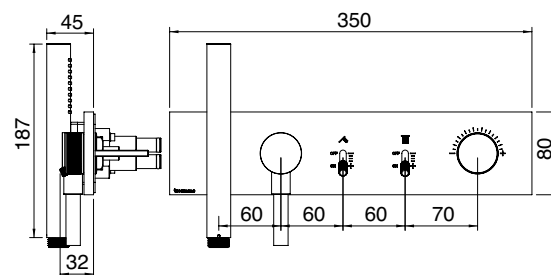
ITRTVT175ZZ RWIT2B86ZZ90 RWIT2B89ZZ50 x5 RWIT2B86_55 MAX 15 l/min MAX 15 l/min MAX 15 l/min MAX 15 l/min TOT - 35 l/min 2 IN - 5 OUT N° 65 P_796



CC	RWIT 2B91 CC 01	839,00
NN	RWIT 2B91 NN 01	1.116,00
BB	RWIT 2B91 BB 01	1.116,00
NL	RWIT 2B91 NL 01	1.091,00
NF	RWIT 2B91 NF 01	1.091,00
HH	RWIT 2B91 HH 01	1.292,00
CZ	RWIT 2B91 CZ 01	1.292,00
UZ	RWIT 2B91 UZ 01	1.292,00
DD	RWIT 2B91 DD 01	1.745,00
DZ	RWIT 2B91 DZ 01	1.745,00
SZ	RWIT 2B91 SZ 01	1.745,00

Miscelatore monocomando 2 uscite
2 ways concealed mixer
Mitigeur à encastrer à 2 sorties
EHM UP mit 2 Wege

RWIT 2B91 ZZ 30 396,00
+ PARTI INCASSO - CONCEALED BODY
CORPS À ENCASTRER - UNTERPUTZTEIL



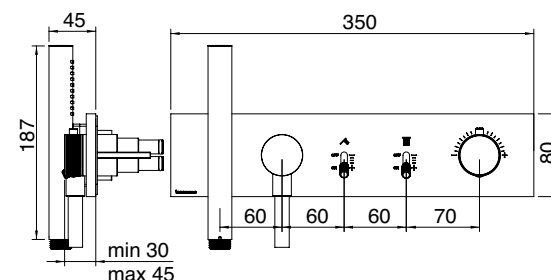
ITRTVT27ZZ RWIT2B86ZZ90 RWIT2B89ZZ50 x2 RWIT2B89ZZ55 1,5 M PVC METAL 8 l/min MAX 15 l/min TOT - 20 l/min 2 IN - 1 OUT N° 65 P_794



CC	RWIT 2B92 CC 01	885,00
NN	RWIT 2B92 NN 01	1.178,00
BB	RWIT 2B92 BB 01	1.178,00
NL	RWIT 2B92 NL 01	1.151,00
NF	RWIT 2B92 NF 01	1.151,00
HH	RWIT 2B92 HH 01	1.363,00
CZ	RWIT 2B92 CZ 01	1.363,00
UZ	RWIT 2B92 UZ 01	1.363,00
DD	RWIT 2B92 DD 01	1.841,00
DZ	RWIT 2B92 DZ 01	1.841,00
SZ	RWIT 2B92 SZ 01	1.841,00

Termostatico incasso 2 uscite
2 ways concealed thermostatic
Thermostatique à encastrer avec 2 sorties
UP-Thermostat mit 2 Wege

RWIT 2B92 ZZ 30 443,00
+ PARTI INCASSO - CONCEALED BODY
CORPS À ENCASTRER - UNTERPUTZTEIL



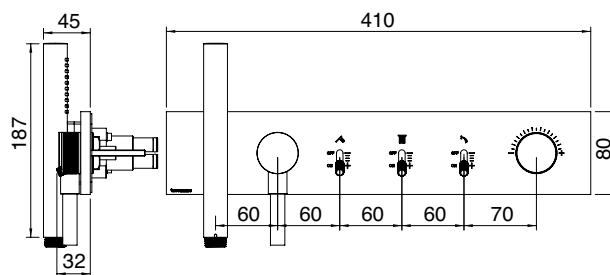
ITRTVT175ZZ RWIT2B86ZZ90 RWIT2B89ZZ50 x2 RWIT2B86_55 1,5 M PVC METAL 8 l/min MAX 15 l/min TOT - 20 l/min 2 IN - 1 OUT N° 65 P_795



CC	RWIT 2B97 CC 01	979,00
NN	RWIT 2B97 NN 01	1.302,00
BB	RWIT 2B97 BB 01	1.302,00
NL	RWIT 2B97 NL 01	1.273,00
NF	RWIT 2B97 NF 01	1.273,00
HH	RWIT 2B97 HH 01	1.507,00
CZ	RWIT 2B97 CZ 01	1.507,00
UZ	RWIT 2B97 UZ 01	1.507,00
DD	RWIT 2B97 DD 01	2.036,00
DZ	RWIT 2B97 DZ 01	2.036,00
SZ	RWIT 2B97 SZ 01	2.036,00

Miscelatore monocomando 3 uscite
3 ways concealed mixer
Mitigeur à encastrer à 3 sorties
EHM UP mit 3 Wege

RWIT 2B97 ZZ 30 489,00
+ PARTI INCASSO - CONCEALED BODY
CORPS À ENCASTRER - UNTERPUTZTEIL



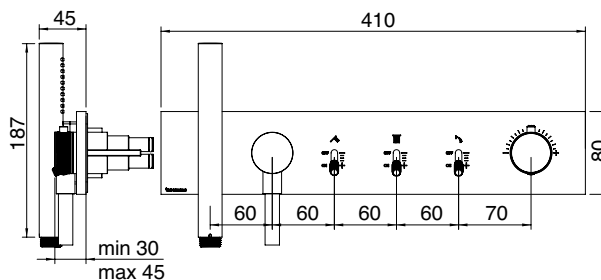
ITRTVT27ZZ RWIT2B86ZZ90 RWIT2B89ZZ50 x3 RWIT2B89ZZ55 1,5 M PVC METAL 8 l/min MAX 15 l/min MAX 15 l/min TOT - 25 l/min 2 IN - 2 OUT N° 65 P_795



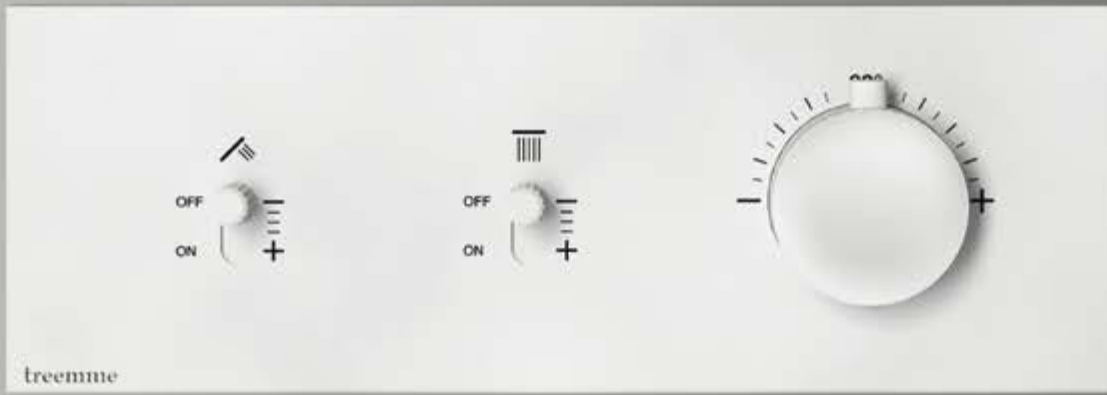
CC	RWIT 2B98 CC 01	1.025,00
NN	RWIT 2B98 NN 01	1.364,00
BB	RWIT 2B98 BB 01	1.364,00
NL	RWIT 2B98 NL 01	1.333,00
NF	RWIT 2B98 NF 01	1.333,00
HH	RWIT 2B98 HH 01	1.579,00
CZ	RWIT 2B98 CZ 01	1.579,00
UZ	RWIT 2B98 UZ 01	1.579,00
DD	RWIT 2B98 DD 01	2.133,00
DZ	RWIT 2B98 DZ 01	2.133,00
SZ	RWIT 2B98 SZ 01	2.133,00

Termostatico incasso 3 uscite
3 ways concealed thermostatic
Thermostatique à encastrer avec 3 sorties
UP-Thermostat mit 3 Wege

RWIT 2B98 ZZ 30 536,00
+ PARTI INCASSO - CONCEALED BODY
CORPS À ENCASTRER - UNTERPUTZTEIL



ITRTVT175ZZ RWIT2B86ZZ90 RWIT2B89ZZ50 x3 RWIT2B86_55 1,5 M PVC METAL 8 l/min MAX 15 l/min MAX 15 l/min TOT - 25 l/min 2 IN - 2 OUT N° 65 P_795



BB
matt white



NN
matt black



CZ
brushed
black chrome



HH
polished
black chrome



NF
brushed
nickel

SZ
brushed
rose gold



DZ
brushed
gold



DD
gold



NL
polished nickel



CC
chrome

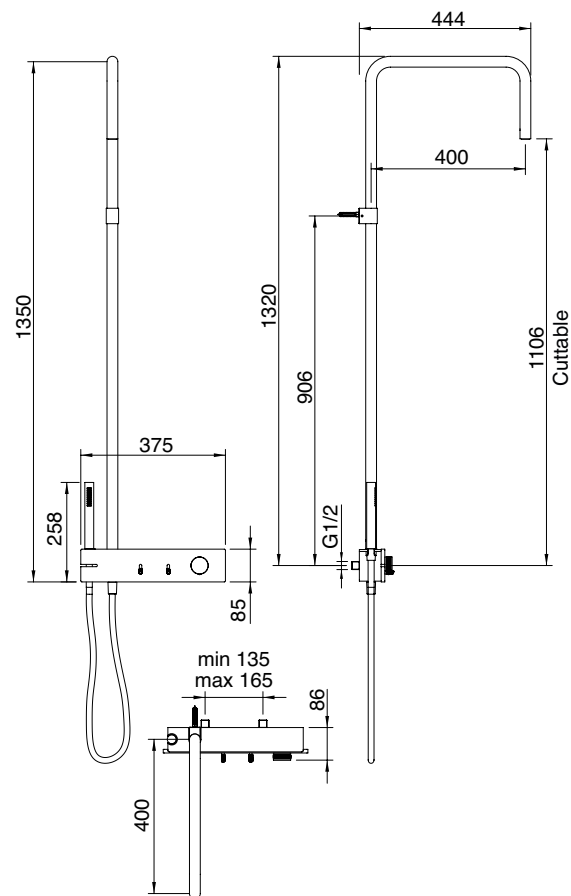




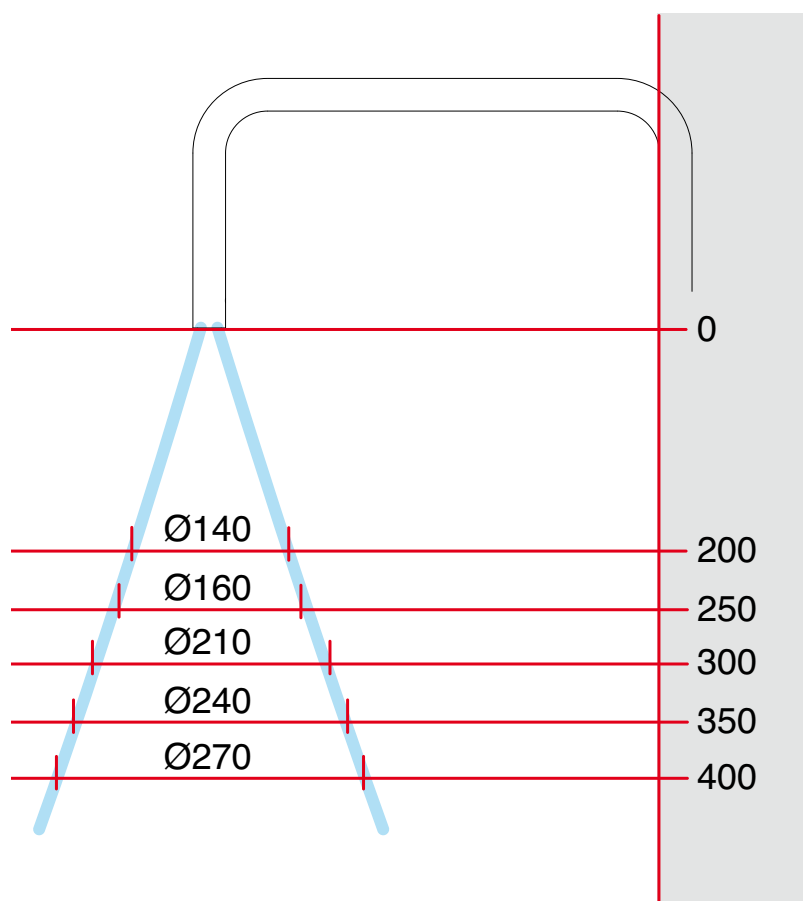


CC	IT 2B60 CC WA ZZ	1.537,00
NN	IT 2B60 NN WA ZZ	2.045,00
BB	IT 2B60 BB WA ZZ	2.045,00
NL	IT 2B60 NL WA ZZ	1.999,00
NF	IT 2B60 NF WA ZZ	1.999,00
HH	IT 2B60 HH WA ZZ	2.367,00
CZ	IT 2B60 CZ WA ZZ	2.367,00
UZ	IT 2B60 UZ WA ZZ	2.367,00
DD	IT 2B60 DD WA ZZ	3.198,00
DZ	IT 2B60 DZ WA ZZ	3.198,00
SZ	IT 2B60 SZ WA ZZ	3.198,00

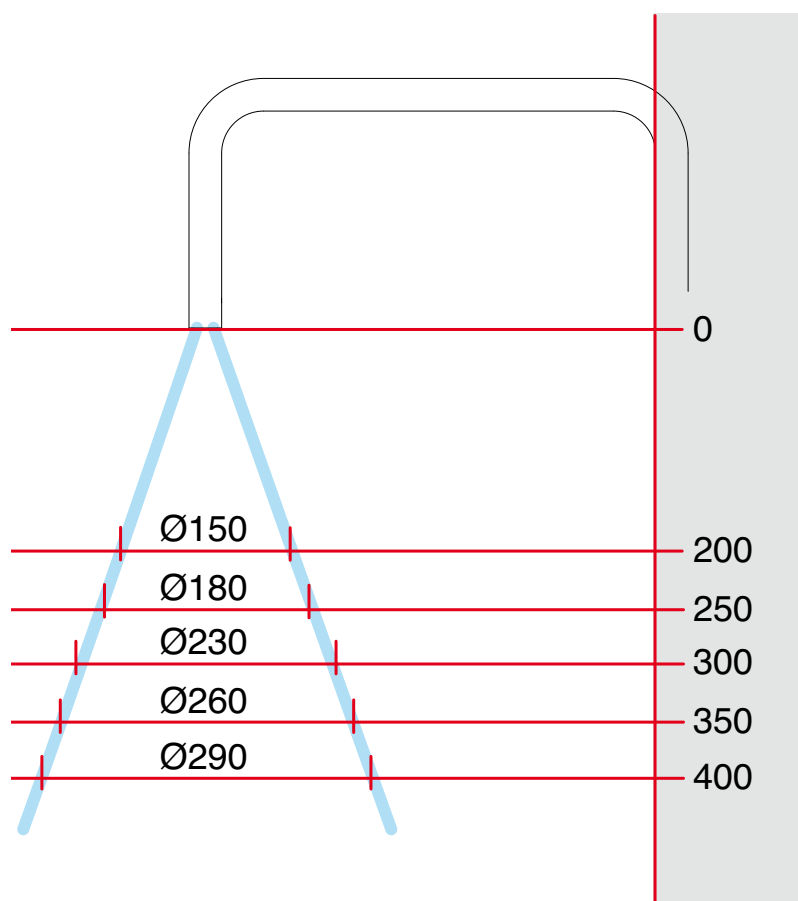
Gruppo doccia con doccetta e soffione
 Wall-mtd. shower set, hand-shower and shower head
 Mitigeur douche mural, douchette et tête de douche
 Regenbrause-Set, Handbrause und Kopfbrause



9 l min



Full Flow

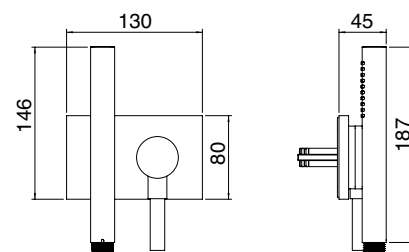




CC	RWIT 2BF6 CC 25	327,00
NN	RWIT 2BF6 NN 25	435,00
BB	RWIT 2BF6 BB 25	435,00
NL	RWIT 2BF6 NL 25	426,00
NF	RWIT 2BF6 NF 25	426,00
HH	RWIT 2BF6 HH 25	504,00
CZ	RWIT 2BF6 CZ 25	504,00
UZ	RWIT 2BF6 UZ 25	504,00
DD	RWIT 2BF6 DD 25	680,00
DZ	RWIT 2BF6 DZ 25	680,00
SZ	RWIT 2BF6 SZ 25	680,00

RWIT 2BF6 ZZ 40 70,00

**+ PARTI INCASSO - CONCEALED BODY
CORPS À ENCASTRER - UNTERPUTZTEIL**



Kit gancio, flessibile, doccia attacco a calamita
Hook, flexible and hand shower with magnet fixing
Kit support, flexible et douche à fixation magnétique
Brausehalter, Schlauch und Handbrause mit Magnetbefestigung



1,5 M PVC



METAL



1/2 M



1/2 M



RWIT2B92ZZ50



8 l/min



N° 65



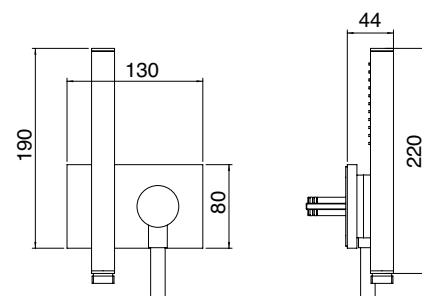
P_797



CC	RWIT 2BF6 CC 45	373,00
NN	RWIT 2BF6 NN 45	497,00
BB	RWIT 2BF6 BB 45	497,00
NL	RWIT 2BF6 NL 45	486,00
NF	RWIT 2BF6 NF 45	486,00
HH	RWIT 2BF6 HH 45	575,00
CZ	RWIT 2BF6 CZ 45	575,00
UZ	RWIT 2BF6 UZ 45	575,00
DD	RWIT 2BF6 DD 45	776,00
DZ	RWIT 2BF6 DZ 45	776,00
SZ	RWIT 2BF6 SZ 45	776,00

RWIT 2BF6 ZZ 40 70,00

**+ PARTI INCASSO - CONCEALED BODY
CORPS À ENCASTRER - UNTERPUTZTEIL**



Kit gancio, flessibile, doccia attacco a calamita
Hook, flexible and hand shower with magnet fixing
Kit support, flexible et douche à fixation magnétique
Brausehalter, Schlauch und Handbrause mit Magnetbefestigung



1,5 M PVC



METAL



1/2 M



1/2 M



RWIT2B92ZZ50



8 l/min



N° 65

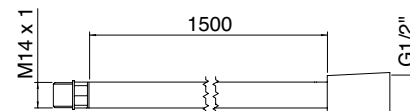


P_797



CC	IT RTFL 523 CC	31,00
NN	IT RTFL 523 NN	42,00
BB	IT RTFL 523 BB	42,00
NL	IT RTFL 523 NL	41,00
NF	IT RTFL 523 NF	41,00
HH	IT RTFL 523 HH	49,00
CZ	IT RTFL 523 CZ	49,00
UZ	IT RTFL 523 UZ	49,00
DD	IT RTFL 523 DD	65,00
DZ	IT RTFL 523 DZ	65,00
SZ	IT RTFL 523 SZ	65,00

Flessibile 1,5 m PVC - WATT
WATT - PVC 1,5 m. flexible hose
Flexible 1,5 m en PVC - WATT
Brauseschlauch m 1,5 PVC - WATT



1,5 M PVC

Per ulteriori composizioni doccia vedi sezione SHOWERS & THERMOSTATICS

For other shower fittings check the SHOWERS & THERMOSTATICS section

Pour d'autres solutions douche voir section SHOWERS & THERMOSTATICS

Für weitere duschaustattungen siehe abschnitt SHOWERS & THERMOSTATICS

W-70s

design by Studio Kinowa

- chrome **CC**
- matt black **NN**
- matt white **BB**
- polished nickel **NL**
- brushed nickel **NF**
- polished black chrome **HH**
- brushed black chrome **CZ**
- brushed brass **UZ**
- gold **DD**
- brushed gold **DZ**
- brushed rose gold **SZ**



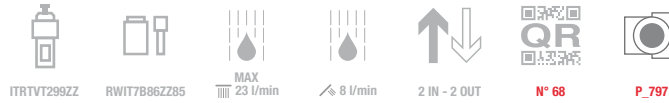




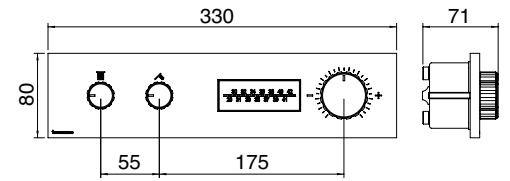


CC	RWIT 7B86 CC 01	891,00
NN	RWIT 7B86 NN 01	1.186,00
BB	RWIT 7B86 BB 01	1.186,00
NL	RWIT 7B86 NL 01	1.159,00
NF	RWIT 7B86 NF 01	1.159,00
HH	RWIT 7B86 HH 01	1.373,00
CZ	RWIT 7B86 CZ 01	1.373,00
UZ	RWIT 7B86 UZ 01	1.373,00
DD	RWIT 7B86 DD 01	1.854,00
DZ	RWIT 7B86 DZ 01	1.854,00
SZ	RWIT 7B86 SZ 01	1.854,00

Termostatico incasso 2 uscite
2 ways concealed thermostatic
Thermostatique à encastrer à 2 sorties
UP-Thermostat mit 2 Wege



RWIT 7B94 ZZ 30 2.077,00
+ PARTI INCASSO - CONCEALED BODY
CORPS À ENCASTRER - UNTERPUTZTEIL

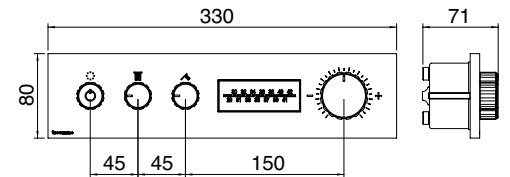


CC	RWIT 7B86 CC LD	999,00
NN	RWIT 7B86 NN LD	1.329,00
BB	RWIT 7B86 BB LD	1.329,00
NL	RWIT 7B86 NL LD	1.299,00
NF	RWIT 7B86 NF LD	1.299,00
HH	RWIT 7B86 HH LD	1.539,00
CZ	RWIT 7B86 CZ LD	1.539,00
UZ	RWIT 7B86 UZ LD	1.539,00
DD	RWIT 7B86 DD LD	2.078,00
DZ	RWIT 7B86 DZ LD	2.078,00
SZ	RWIT 7B86 SZ LD	2.078,00

Termostatico incasso 2 uscite + LED
2 ways concealed thermostatic + LED
Thermostatique à encastrer à 2 sorties + LED
UP-Thermostat mit 2 Wege + LED



RWIT 7B94 ZZ 30 2.077,00
+ PARTI INCASSO - CONCEALED BODY
CORPS À ENCASTRER - UNTERPUTZTEIL

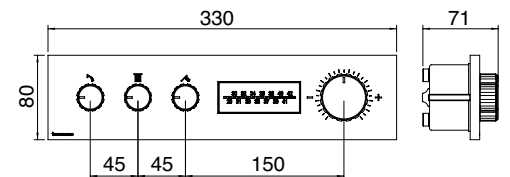


CC	RWIT 7B94 CC 01	958,00
NN	RWIT 7B94 NN 01	1.275,00
BB	RWIT 7B94 BB 01	1.275,00
NL	RWIT 7B94 NL 01	1.246,00
NF	RWIT 7B94 NF 01	1.246,00
HH	RWIT 7B94 HH 01	1.476,00
CZ	RWIT 7B94 CZ 01	1.476,00
UZ	RWIT 7B94 UZ 01	1.476,00
DD	RWIT 7B94 DD 01	1.993,00
DZ	RWIT 7B94 DZ 01	1.993,00
SZ	RWIT 7B94 SZ 01	1.993,00

Termostatico incasso 3 uscite
3 ways concealed thermostatic
Thermostatique à encastrer avec 3 sorties
UP-Thermostat mit 3 Wege



RWIT 7B94 ZZ 30 2.077,00
+ PARTI INCASSO - CONCEALED BODY
CORPS À ENCASTRER - UNTERPUTZTEIL

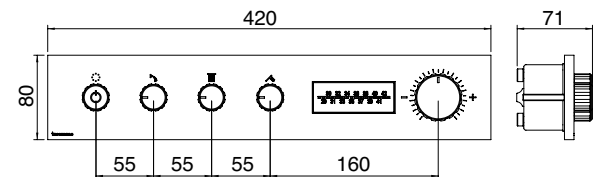


CC	RWIT 7B94 CC LD	1.110,00
NN	RWIT 7B94 NN LD	1.477,00
BB	RWIT 7B94 BB LD	1.477,00
NL	RWIT 7B94 NL LD	1.443,00
NF	RWIT 7B94 NF LD	1.443,00
HH	RWIT 7B94 HH LD	1.710,00
CZ	RWIT 7B94 CZ LD	1.710,00
UZ	RWIT 7B94 UZ LD	1.710,00
DD	RWIT 7B94 DD LD	2.309,00
DZ	RWIT 7B94 DZ LD	2.309,00
SZ	RWIT 7B94 SZ LD	2.309,00

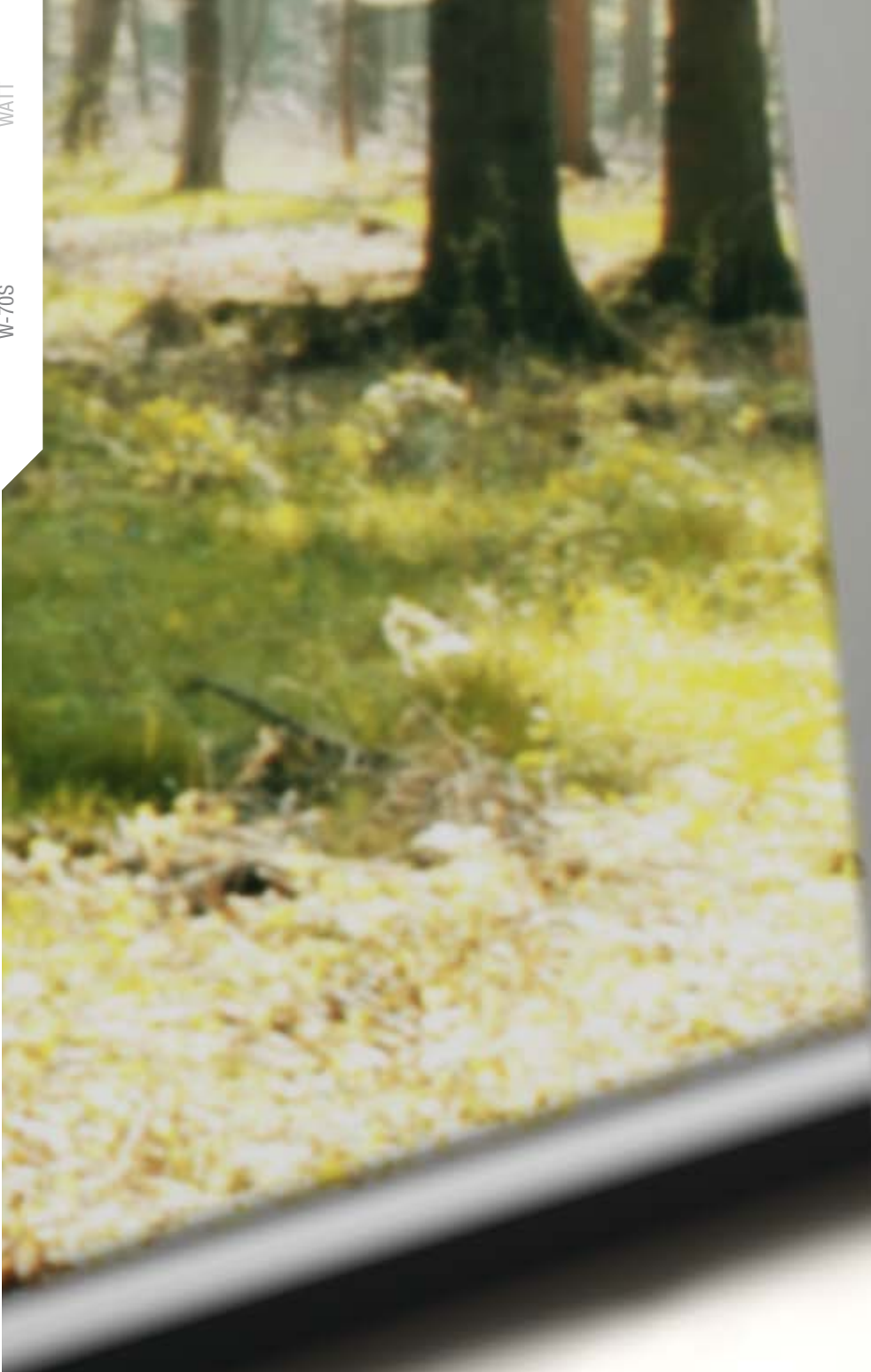
Termostatico incasso 3 uscite + LED
3 ways concealed thermostatic + LED
Thermostatique à encastrer avec 3 sorties + LED
UP-Thermostat mit 3 Wege + LED



RWIT 7BF4 ZZ 30 2.279,00
+ PARTI INCASSO - CONCEALED BODY
CORPS À ENCASTRER - UNTERPUTZTEIL









WATT

W-70S



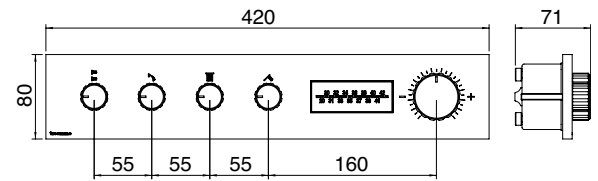
IT 9B91 NN CC LD + RWIT 7B86 CC LD



CC	RWIT 7BF4 CC 01	1.077,00
NN	RWIT 7BF4 NN 01	1.433,00
BB	RWIT 7BF4 BB 01	1.433,00
NL	RWIT 7BF4 NL 01	1.401,00
NF	RWIT 7BF4 NF 01	1.401,00
HH	RWIT 7BF4 HH 01	1.659,00
CZ	RWIT 7BF4 CZ 01	1.659,00
UZ	RWIT 7BF4 UZ 01	1.659,00
DD	RWIT 7BF4 DD 01	2.241,00
DZ	RWIT 7BF4 DZ 01	2.241,00
SZ	RWIT 7BF4 SZ 01	2.241,00

Termostatico incasso 4 uscite
4 ways concealed thermostatic
Thermostatique à encastrer avec 4 sorties
UP-Thermostat mit 4 Wege

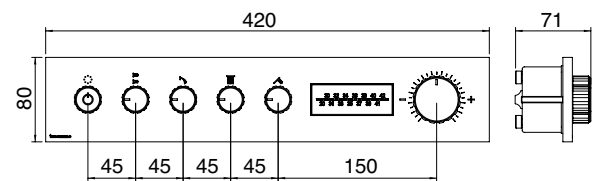
RWIT 7BF4 ZZ 30 2.279,00
+ PARTI INCASSO - CONCEALED BODY
CORPS À ENCASTRER - UNTERPUTZTEIL



CC	RWIT 7BF4 CC LD	1.185,00
NN	RWIT 7BF4 NN LD	1.577,00
BB	RWIT 7BF4 BB LD	1.577,00
NL	RWIT 7BF4 NL LD	1.541,00
NF	RWIT 7BF4 NF LD	1.541,00
HH	RWIT 7BF4 HH LD	1.825,00
CZ	RWIT 7BF4 CZ LD	1.825,00
UZ	RWIT 7BF4 UZ LD	1.825,00
DD	RWIT 7BF4 DD LD	2.465,00
DZ	RWIT 7BF4 DZ LD	2.465,00
SZ	RWIT 7BF4 SZ LD	2.465,00

Termostatico incasso 4 uscite + LED
4 ways concealed thermostatic + LED
Thermostatique à encastrer avec 4 sorties + LED
UP-Thermostat mit 4 Wege + LED

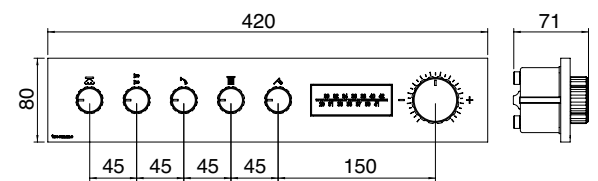
RWIT 7BF4 ZZ 30 2.279,00
+ PARTI INCASSO - CONCEALED BODY
CORPS À ENCASTRER - UNTERPUTZTEIL



CC	RWIT 7BF5 CC 01	1.148,00
NN	RWIT 7BF5 NN 01	1.527,00
BB	RWIT 7BF5 BB 01	1.527,00
NL	RWIT 7BF5 NL 01	1.493,00
NF	RWIT 7BF5 NF 01	1.493,00
HH	RWIT 7BF5 HH 01	1.768,00
CZ	RWIT 7BF5 CZ 01	1.768,00
UZ	RWIT 7BF5 UZ 01	1.768,00
DD	RWIT 7BF5 DD 01	2.388,00
DZ	RWIT 7BF5 DZ 01	2.388,00
SZ	RWIT 7BF5 SZ 01	2.388,00

Termostatico incasso 5 uscite
5 ways concealed thermostatic
Thermostatique à encastrer avec 5 sorties
UP-Thermostat mit 5 Wege

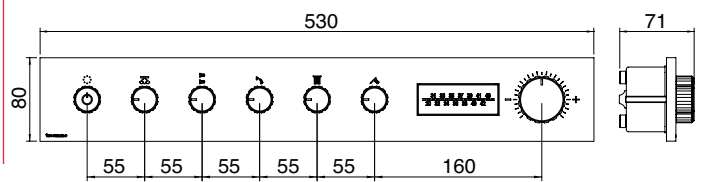
RWIT 7BF4 ZZ 30 2.279,00
+ PARTI INCASSO - CONCEALED BODY
CORPS À ENCASTRER - UNTERPUTZTEIL



CC	RWIT 7BF5 CC LD	1.250,00
NN	RWIT 7BF5 NN LD	1.663,00
BB	RWIT 7BF5 BB LD	1.663,00
NL	RWIT 7BF5 NL LD	1.625,00
NF	RWIT 7BF5 NF LD	1.625,00
HH	RWIT 7BF5 HH LD	1.925,00
CZ	RWIT 7BF5 CZ LD	1.925,00
UZ	RWIT 7BF5 UZ LD	1.925,00
DD	RWIT 7BF5 DD LD	2.600,00
DZ	RWIT 7BF5 DZ LD	2.600,00
SZ	RWIT 7BF5 SZ LD	2.600,00

Termostatico incasso 5 uscite + LED
5 ways concealed thermostatic + LED
Thermostatique à encastrer avec 5 sorties + LED
UP-Thermostat mit 5 Wege + LED

RWIT 7BF5 ZZ 30 2.479,00
+ PARTI INCASSO - CONCEALED BODY
CORPS À ENCASTRER - UNTERPUTZTEIL

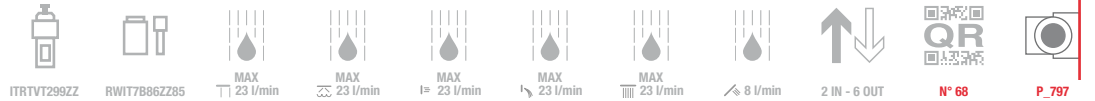


W-70s



CC	RWIT 7BF6 CC 01	1.220,00
NN	RWIT 7BF6 NN 01	1.623,00
BB	RWIT 7BF6 BB 01	1.623,00
NL	RWIT 7BF6 NL 01	1.586,00
NF	RWIT 7BF6 NF 01	1.586,00
HH	RWIT 7BF6 HH 01	1.879,00
CZ	RWIT 7BF6 CZ 01	1.879,00
UZ	RWIT 7BF6 UZ 01	1.879,00
DD	RWIT 7BF6 DD 01	2.538,00
DZ	RWIT 7BF6 DZ 01	2.538,00
SZ	RWIT 7BF6 SZ 01	2.538,00

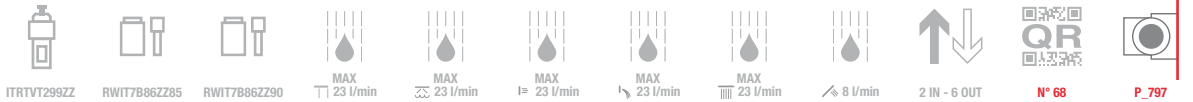
Termostatico incasso 6 uscite
6 ways concealed thermostat
Thermostatique à encastrer avec 6 sorties
UP-Thermostat mit 6 Wege



RWIT 7BF5 ZZ 30 2.479,00
+ PARTI INCASSO - CONCEALED BODY
CORPS À ENCASTRER - UNTERPUTZTEIL

CC	RWIT 7BF6 CC LD	1.320,00
NN	RWIT 7BF6 NN LD	1.756,00
BB	RWIT 7BF6 BB LD	1.756,00
NL	RWIT 7BF6 NL LD	1.716,00
NF	RWIT 7BF6 NF LD	1.716,00
HH	RWIT 7BF6 HH LD	2.033,00
CZ	RWIT 7BF6 CZ LD	2.033,00
UZ	RWIT 7BF6 UZ LD	2.033,00
DD	RWIT 7BF6 DD LD	2.746,00
DZ	RWIT 7BF6 DZ LD	2.746,00
SZ	RWIT 7BF6 SZ LD	2.746,00

Termostatico incasso 6 uscite + LED
6 ways concealed thermostat + LED
Thermostatique à encastrer avec 6 sorties + LED
UP-Thermostat mit 6 Wege + LED



RWIT 7BF5 ZZ 30 2.479,00
+ PARTI INCASSO - CONCEALED BODY
CORPS À ENCASTRER - UNTERPUTZTEIL

CC	RWIT 2BF6 CC 25	327,00
NN	RWIT 2BF6 NN 25	435,00
BB	RWIT 2BF6 BB 25	435,00
NL	RWIT 2BF6 NL 25	426,00
NF	RWIT 2BF6 NF 25	426,00
HH	RWIT 2BF6 HH 25	504,00
CZ	RWIT 2BF6 CZ 25	504,00
UZ	RWIT 2BF6 UZ 25	504,00
DD	RWIT 2BF6 DD 25	680,00
DZ	RWIT 2BF6 DZ 25	680,00
SZ	RWIT 2BF6 SZ 25	680,00

Kit gancio, flessibile, doccia attacco a calamita
Hook, flexible and hand shower with magnet fixing
Kit support, flexible et douche à fixation magnétique
Brausehalter, Schlauch und Handbrause mit Magnetbefestigung



RWIT 2BF6 ZZ 40 70,00
+ PARTI INCASSO - CONCEALED BODY
CORPS À ENCASTRER - UNTERPUTZTEIL

CC	RWIT 2BF6 CC 45	373,00
NN	RWIT 2BF6 NN 45	497,00
BB	RWIT 2BF6 BB 45	497,00
NL	RWIT 2BF6 NL 45	486,00
NF	RWIT 2BF6 NF 45	486,00
HH	RWIT 2BF6 HH 45	575,00
CZ	RWIT 2BF6 CZ 45	575,00
UZ	RWIT 2BF6 UZ 45	575,00
DD	RWIT 2BF6 DD 45	776,00
DZ	RWIT 2BF6 DZ 45	776,00
SZ	RWIT 2BF6 SZ 45	776,00

Kit gancio, flessibile, doccia attacco a calamita
Hook, flexible and hand shower with magnet fixing
Kit support, flexible et douche à fixation magnétique
Brausehalter, Schlauch und Handbrause mit Magnetbefestigung



RWIT 2BF6 ZZ 40 70,00
+ PARTI INCASSO - CONCEALED BODY
CORPS À ENCASTRER - UNTERPUTZTEIL



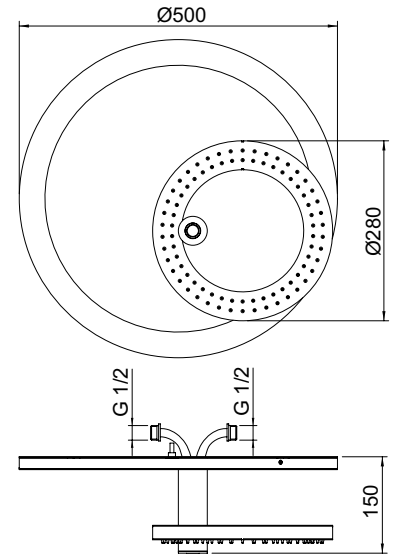
WATT

W-70S



CC	IT 9B91 CC ZZ W7	1.464,00
NN	IT 9B91 NN ZZ W7	1.948,00
BB	IT 9B91 BB ZZ W7	1.948,00
NL	IT 9B91 NL ZZ W7	1.904,00
NF	IT 9B91 NF ZZ W7	1.904,00
HH	IT 9B91 HH ZZ W7	2.255,00
CZ	IT 9B91 CZ ZZ W7	2.255,00
DD	IT 9B91 DD ZZ W7	3.046,00
DZ	IT 9B91 DZ ZZ W7	3.046,00
SZ	IT 9B91 SZ ZZ W7	3.046,00

Soffione a soffitto anticalcare + LED
 Ceiling anti-limescale shower-head + LED
 Douche de tête anticalcaire avec bras au plafond + LED
 Antikalk Regenbrause mit Deckenanbindung + LED



Ø 280 mm



LED



ITRTAE126ZZ



ITRTAT111ZZ



9 l/min

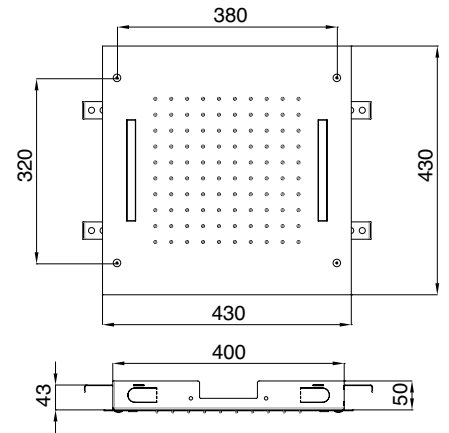


30 l/min



CC	IT RTBR 506 CC	1.105,00
NN	IT RTBR 506 NN	1.470,00
BB	IT RTBR 506 BB	1.470,00
NL	IT RTBR 506 NL	1.437,00
NF	IT RTBR 506 NF	1.437,00
HH	IT RTBR 506 HH	1.702,00
CZ	IT RTBR 506 CZ	1.702,00
UZ	IT RTBR 506 UZ	1.702,00
DD	IT RTBR 506 DD	2.299,00
DZ	IT RTBR 506 DZ	2.299,00
SZ	IT RTBR 506 SZ	2.299,00

Soffione a soffitto ad incasso con pioggia e cromoterapia
 Concealed showerhead with rain and chromotherapy
 Douche de tête à encastrer, fixation au plafond,
 pluie et chromothérapie
 UP Brause mit Regen und Farbtherapie

INOX
430 x 430 mm

LED

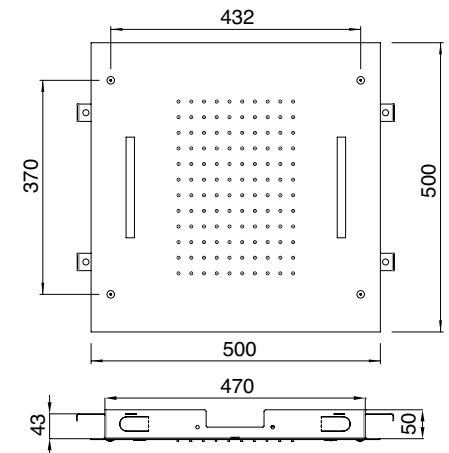


9 l/min



CC	IT RTBR 505 CC	1.180,00
NN	IT RTBR 505 NN	1.570,00
BB	IT RTBR 505 BB	1.570,00
NL	IT RTBR 505 NL	1.534,00
NF	IT RTBR 505 NF	1.534,00
HH	IT RTBR 505 HH	1.818,00
CZ	IT RTBR 505 CZ	1.818,00
UZ	IT RTBR 505 UZ	1.818,00
DD	IT RTBR 505 DD	2.455,00
DZ	IT RTBR 505 DZ	2.455,00
SZ	IT RTBR 505 SZ	2.455,00

Soffione a soffitto ad incasso con pioggia e cromoterapia
 Concealed showerhead with rain and chromotherapy
 Douche de tête à encastrer, fixation au plafond,
 pluie et chromothérapie
 UP Brause mit Regen und Farbtherapie

INOX
500 x 500 mm

LED

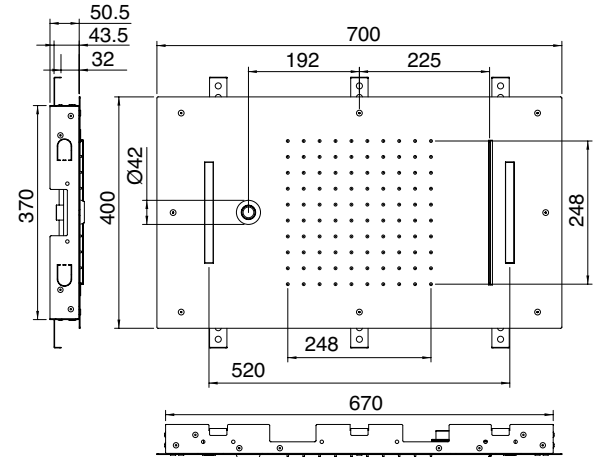


9 l/min



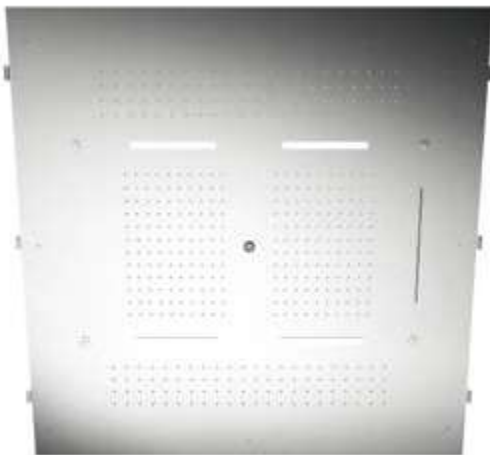
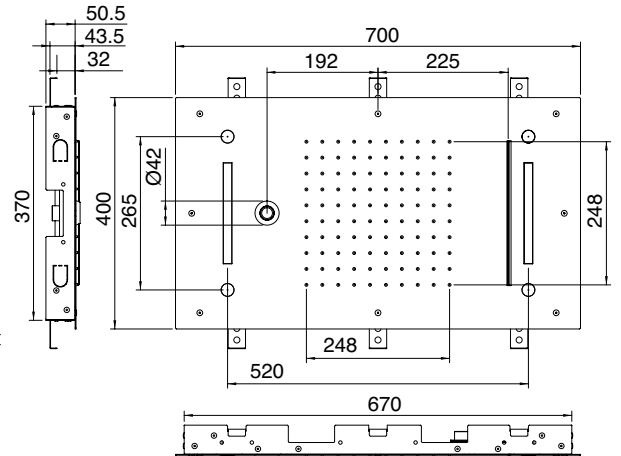
CC	IT RTBR 587 CC	1.699,00
NN	IT RTBR 587 NN	2.260,00
BB	IT RTBR 587 BB	2.260,00
NL	IT RTBR 587 NL	2.209,00
NF	IT RTBR 587 NF	2.209,00
HH	IT RTBR 587 HH	2.617,00
CZ	IT RTBR 587 CZ	2.617,00
UZ	IT RTBR 587 UZ	2.617,00
DD	IT RTBR 587 DD	3.534,00
DZ	IT RTBR 587 DZ	3.534,00
SZ	IT RTBR 587 SZ	3.534,00

Soffione a soffitto ad incasso con pioggia, cascata, getto e cromoterapia
 Concealed showerhead with rain, cascade, chromotherapy and water jet
 Douche de tête à encastrer, fixation au plafond, pluie, cascade, chromothérapie et jet
 UP Brause mit Regen, Wasserfall und Farbtherapie



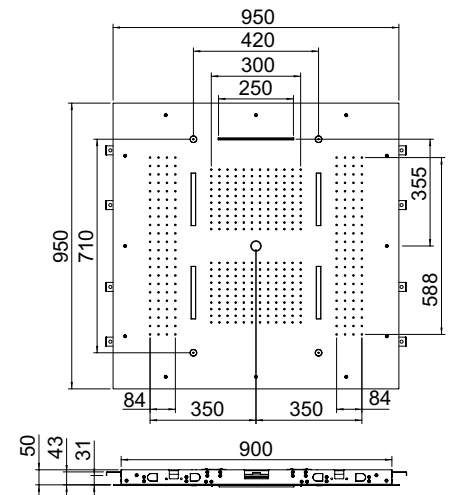
CC	IT RTBR 588 CC	1.720,00
NN	IT RTBR 588 NN	2.288,00
BB	IT RTBR 588 BB	2.288,00
NL	IT RTBR 588 NL	2.236,00
NF	IT RTBR 588 NF	2.236,00
HH	IT RTBR 588 HH	2.649,00
CZ	IT RTBR 588 CZ	2.649,00
DD	IT RTBR 588 DD	3.578,00
DZ	IT RTBR 588 DZ	3.578,00
SZ	IT RTBR 588 SZ	3.578,00

Soffione a soffitto ad incasso con pioggia, cascata, nebulizzatori, getto e cromoterapia
 Concealed showerhead with rain, cascade, chromotherapy, mist and water jet
 Douche de tête à encastrer, fixation au plafond, pluie, cascade, chromothérapie, brumisateurs et jet
 UP Brause mit Regen, Wasserfall, Farbtherapie und Zerstäuber



CC	IT RTBR 589 CC	4.845,00
NN	IT RTBR 589 NN	6.444,00
BB	IT RTBR 589 BB	6.444,00
NL	IT RTBR 589 NL	6.299,00
NF	IT RTBR 589 NF	6.299,00
HH	IT RTBR 589 HH	7.462,00
CZ	IT RTBR 589 CZ	7.462,00
DD	IT RTBR 589 DD	10.078,00
DZ	IT RTBR 589 DZ	10.078,00
SZ	IT RTBR 589 SZ	10.078,00

Soffione a soffitto ad incasso con pioggia, cascata, nebulizzatori, getto e cromoterapia
 Concealed showerhead with rain, cascade, chromotherapy, mist and water jet
 Douche de tête à encastrer, fixation au plafond, pluie, cascade, chromothérapie, brumisateurs et jet
 UP Brause mit Regen, Wasserfall, Farbtherapie und Zerstäuber



W-70s

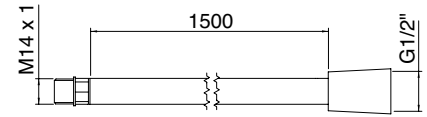


CC	IT RTFL 523 CC	31,00
NN	IT RTFL 523 NN	42,00
BB	IT RTFL 523 BB	42,00
NL	IT RTFL 523 NL	41,00
NF	IT RTFL 523 NF	41,00
HH	IT RTFL 523 HH	49,00
CZ	IT RTFL 523 CZ	49,00
UZ	IT RTFL 523 UZ	49,00
DD	IT RTFL 523 DD	65,00
DZ	IT RTFL 523 DZ	65,00
SZ	IT RTFL 523 SZ	65,00

Flessibile 1,5 m PVC - W-70s
 W-70s - PVC 1,5 m. flexible hose
 Flexible 1,5 m en PVC - W-70s
 Brauseschlauch m 1,5 PVC - W-70s

FLEX

1,5 M PVC



ZZ	RWIT 7B86 ZZ 85	95,00
----	-----------------	-------

Prolunga cavo collegamento 5 m display W 70'S
 5 metres extension cable connection for W 70'S display
 Câble d'extension de 5 mètres pour display W 70'S
 Verlängerungskabel 5 Meter für Display W 70'S



ZZ	RWIT 7B86 ZZ 90	75,00
----	-----------------	-------

Prolunga cavo collegamento cromoterapia 5m
 5 meters extension cable for chromotherapy
 Câble d'extension de 5 mètres pour chromothérapie
 Meter Verlängerungskabel für Farbtherapie

Per ulteriori composizioni doccia vedi sezione SHOWERS & THERMOSTATICS

For other shower fittings check the SHOWERS & THERMOSTATICS section

Pour d'autres solutions douche voir section SHOWERS & THERMOSTATICS

Für weitere duschaustattungen siehe abschnitt SHOWERS & THERMOSTATICS

Q30

design by Giampiero Castagnoli & Marco Pisati

- chrome **CC**
- matt black **NN**
- matt white **BB**
- polished nickel **NL**
- brushed nickel **NF**
- polished black chrome **HH**
- brushed black chrome **CZ**
- brushed brass **UZ**
- gold **DD**
- brushed gold **DZ**
- brushed rose gold **SZ**

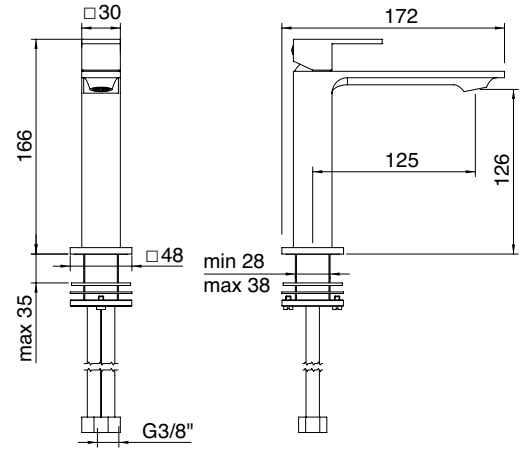


Q30



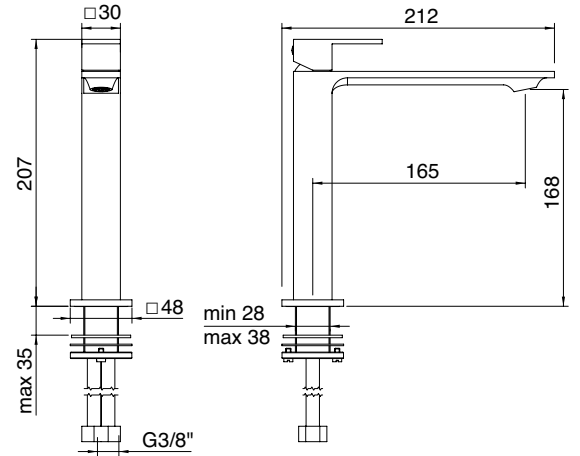
CC	IT 4B11 CC QT ZZ	340,00
NN	IT 4B11 NN QT ZZ	453,00
BB	IT 4B11 BB QT ZZ	453,00
NL	IT 4B11 NL QT ZZ	442,00
NF	IT 4B11 NF QT ZZ	442,00
HH	IT 4B11 HH QT ZZ	525,00
CZ	IT 4B11 CZ QT ZZ	525,00
UZ	IT 4B11 UZ QT ZZ	525,00
DD	IT 4B11 DD QT ZZ	708,00
DZ	IT 4B11 DZ QT ZZ	708,00
SZ	IT 4B11 SZ QT ZZ	708,00

Miscelatore monocomando lavabo 126
 Washbasin mixer 126
 Mitigeur lavabo 126
 Einhand-Waschtischmischer 126



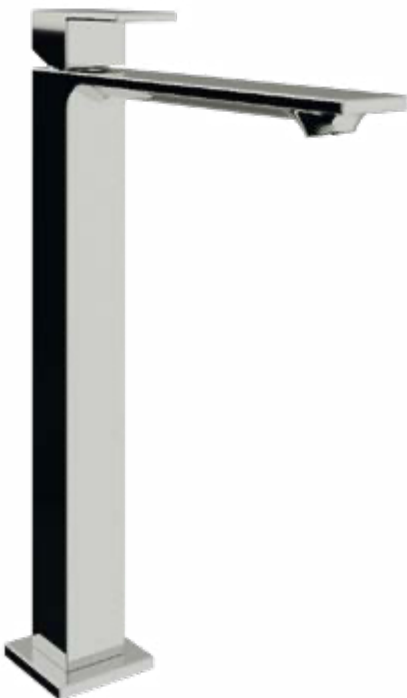
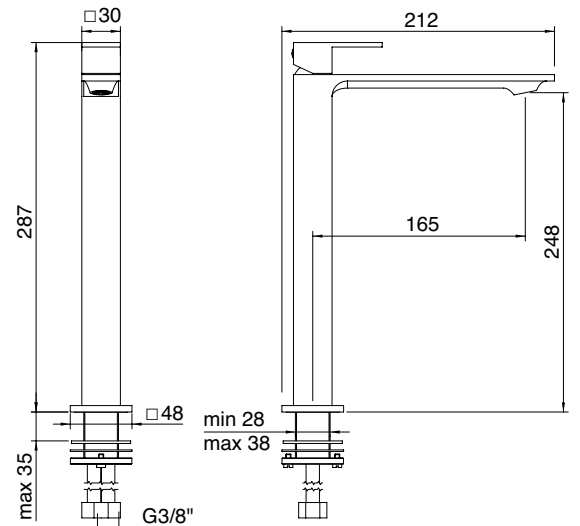
CC	IT 4B27 CC QT ZZ	397,00
NN	IT 4B27 NN QT ZZ	529,00
BB	IT 4B27 BB QT ZZ	529,00
NL	IT 4B27 NL QT ZZ	517,00
NF	IT 4B27 NF QT ZZ	517,00
HH	IT 4B27 HH QT ZZ	611,00
CZ	IT 4B27 CZ QT ZZ	611,00
UZ	IT 4B27 UZ QT ZZ	611,00
DD	IT 4B27 DD QT ZZ	826,00
DZ	IT 4B27 DZ QT ZZ	826,00
SZ	IT 4B27 SZ QT ZZ	826,00

Miscelatore monocomando lavabo 168
 Washbasin mixer 168
 Mitigeur lavabo 168
 Einhand-Waschtischmischer 168



CC	IT 4B18 CC QT ZZ	464,00
NN	IT 4B18 NN QT ZZ	617,00
BB	IT 4B18 BB QT ZZ	617,00
NL	IT 4B18 NL QT ZZ	603,00
NF	IT 4B18 NF QT ZZ	603,00
HH	IT 4B18 HH QT ZZ	714,00
CZ	IT 4B18 CZ QT ZZ	714,00
UZ	IT 4B18 UZ QT ZZ	714,00
DD	IT 4B18 DD QT ZZ	965,00
DZ	IT 4B18 DZ QT ZZ	965,00
SZ	IT 4B18 SZ QT ZZ	965,00

Miscelatore monocomando lavabo 248
 Washbasin mixer 248
 Mitigeur lavabo 248
 Einhand-Waschtischmischer 248





IT 4B18 NN QT ZZ



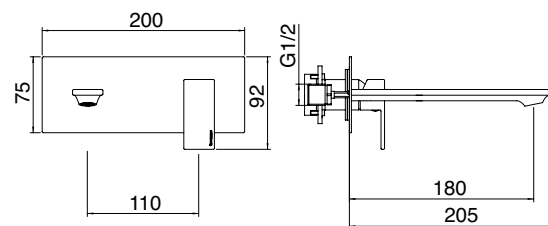


CC	RWIT 4BA5 CC 01	273,00
NN	RWIT 4BA5 NN 01	389,00
BB	RWIT 4BA5 BB 01	389,00
NL	RWIT 4BA5 NL 01	383,00
NF	RWIT 4BA5 NF 01	383,00
HH	RWIT 4BA5 HH 01	470,00
CZ	RWIT 4BA5 CZ 01	470,00
UZ	RWIT 4BA5 UZ 01	470,00
DD	RWIT 4BA5 DD 01	604,00
DZ	RWIT 4BA5 DZ 01	604,00
SZ	RWIT 4BA5 SZ 01	604,00

Miscelatore monocomando lavabo incasso 180
 Concealed washbasin mixer 180
 Mitigeur lavabo à encastrer 180
 UP-Einhand-Waschtischmischer 180



RWIT 51A5 ZZ 01 138,00
 + PARTI INCASSO - CONCEALED BODY
 CORPS À ENCASTRER - UNTERPUTZTEIL

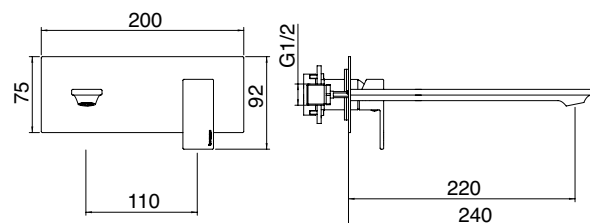


CC	RWIT 4BA6 CC 01	294,00
NN	RWIT 4BA6 NN 01	418,00
BB	RWIT 4BA6 BB 01	418,00
NL	RWIT 4BA6 NL 01	411,00
NF	RWIT 4BA6 NF 01	411,00
HH	RWIT 4BA6 HH 01	506,00
CZ	RWIT 4BA6 CZ 01	506,00
UZ	RWIT 4BA6 UZ 01	506,00
DD	RWIT 4BA6 DD 01	649,00
DZ	RWIT 4BA6 DZ 01	649,00
SZ	RWIT 4BA6 SZ 01	649,00

Miscelatore monocomando lavabo incasso 220
 Concealed washbasin mixer 220
 Mitigeur lavabo à encastrer 220
 UP-Einhand-Waschtischmischer 220



RWIT 51A5 ZZ 01 138,00
 + PARTI INCASSO - CONCEALED BODY
 CORPS À ENCASTRER - UNTERPUTZTEIL

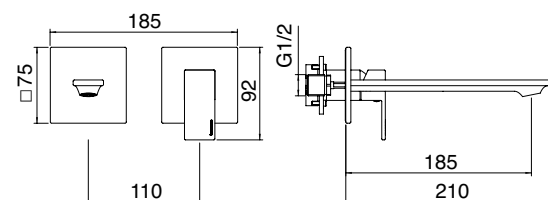


CC	RWIT 4BC5 CC 01	299,00
NN	RWIT 4BC5 NN 01	425,00
BB	RWIT 4BC5 BB 01	425,00
NL	RWIT 4BC5 NL 01	419,00
NF	RWIT 4BC5 NF 01	419,00
HH	RWIT 4BC5 HH 01	514,00
CZ	RWIT 4BC5 CZ 01	514,00
UZ	RWIT 4BC5 UZ 01	514,00
DD	RWIT 4BC5 DD 01	661,00
DZ	RWIT 4BC5 DZ 01	661,00
SZ	RWIT 4BC5 SZ 01	661,00

Miscelatore monocomando lavabo incasso 185
 Concealed washbasin mixer 185
 Mitigeur lavabo à encastrer 185
 UP-Einhand-Waschtischmischer 185

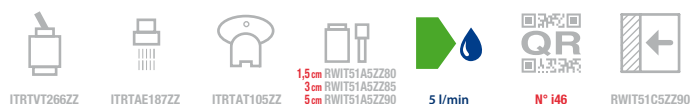


RWIT 51A5 ZZ 01 138,00
 + PARTI INCASSO - CONCEALED BODY
 CORPS À ENCASTRER - UNTERPUTZTEIL

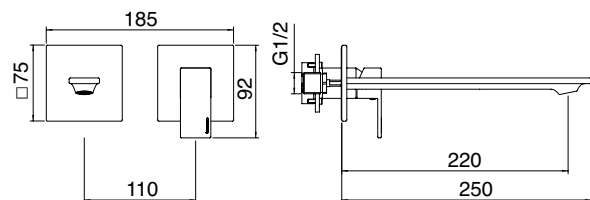


CC	RWIT 4BC6 CC 01	320,00
NN	RWIT 4BC6 NN 01	455,00
BB	RWIT 4BC6 BB 01	455,00
NL	RWIT 4BC6 NL 01	448,00
NF	RWIT 4BC6 NF 01	448,00
HH	RWIT 4BC6 HH 01	551,00
CZ	RWIT 4BC6 CZ 01	551,00
UZ	RWIT 4BC6 UZ 01	551,00
DD	RWIT 4BC6 DD 01	707,00
DZ	RWIT 4BC6 DZ 01	707,00
SZ	RWIT 4BC6 SZ 01	707,00

Miscelatore monocomando lavabo incasso 220
 Concealed washbasin mixer 220
 Mitigeur lavabo à encastrer 220
 UP-Einhand-Waschtischmischer 220



RWIT 51A5 ZZ 01 138,00
 + PARTI INCASSO - CONCEALED BODY
 CORPS À ENCASTRER - UNTERPUTZTEIL





NL
polished nickel

HH
polished black chrome



CC
chrome

NN
matt black

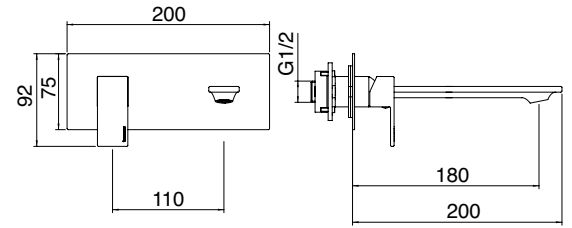
BB
matt white



CC	RWIT 4BA7 CC 01	273,00
NN	RWIT 4BA7 NN 01	389,00
BB	RWIT 4BA7 BB 01	389,00
NL	RWIT 4BA7 NL 01	383,00
NF	RWIT 4BA7 NF 01	383,00
HH	RWIT 4BA7 HH 01	470,00
CZ	RWIT 4BA7 CZ 01	470,00
UZ	RWIT 4BA7 UZ 01	470,00
DD	RWIT 4BA7 DD 01	604,00
DZ	RWIT 4BA7 DZ 01	604,00
SZ	RWIT 4BA7 SZ 01	604,00

Miscelatore monocomando lavabo incasso 180
 Concealed washbasin mixer 180
 Mitigeur lavabo à encastrer 180
 UP-Einhand-Waschtischmischer 180

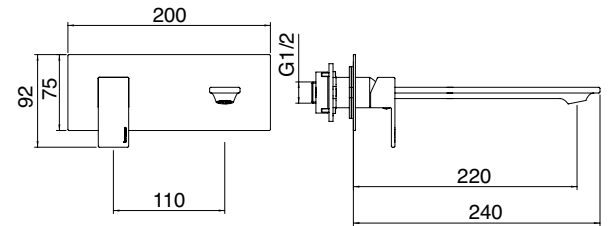
RWIT 51A5 ZZ 01 138,00
 + PARTI INCASSO - CONCEALED BODY
 CORPS À ENCASTRER - UNTERPUTZTEIL



CC	RWIT 4BA9 CC 01	294,00
NN	RWIT 4BA9 NN 01	418,00
BB	RWIT 4BA9 BB 01	418,00
NL	RWIT 4BA9 NL 01	411,00
NF	RWIT 4BA9 NF 01	411,00
HH	RWIT 4BA9 HH 01	506,00
CZ	RWIT 4BA9 CZ 01	506,00
UZ	RWIT 4BA9 UZ 01	506,00
DD	RWIT 4BA9 DD 01	649,00
DZ	RWIT 4BA9 DZ 01	649,00
SZ	RWIT 4BA9 SZ 01	649,00

Miscelatore monocomando lavabo incasso 220
 Concealed washbasin mixer 220
 Mitigeur lavabo à encastrer 220
 UP-Einhand-Waschtischmischer 220

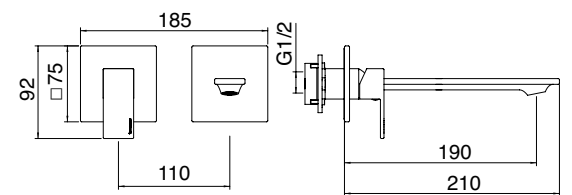
RWIT 51A5 ZZ 01 138,00
 + PARTI INCASSO - CONCEALED BODY
 CORPS À ENCASTRER - UNTERPUTZTEIL



CC	RWIT 4BC7 CC 01	299,00
NN	RWIT 4BC7 NN 01	425,00
BB	RWIT 4BC7 BB 01	425,00
NL	RWIT 4BC7 NL 01	419,00
NF	RWIT 4BC7 NF 01	419,00
HH	RWIT 4BC7 HH 01	514,00
CZ	RWIT 4BC7 CZ 01	514,00
UZ	RWIT 4BC7 UZ 01	514,00
DD	RWIT 4BC7 DD 01	661,00
DZ	RWIT 4BC7 DZ 01	661,00
SZ	RWIT 4BC7 SZ 01	661,00

Miscelatore monocomando lavabo incasso 190
 Concealed washbasin mixer 190
 Mitigeur lavabo à encastrer 190
 UP-Einhand-Waschtischmischer 190

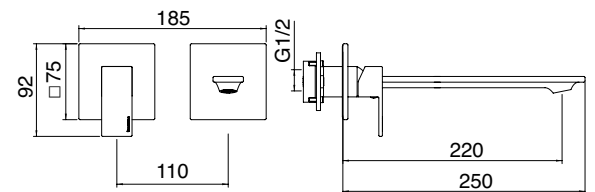
RWIT 51A5 ZZ 01 138,00
 + PARTI INCASSO - CONCEALED BODY
 CORPS À ENCASTRER - UNTERPUTZTEIL



CC	RWIT 4BC9 CC 01	320,00
NN	RWIT 4BC9 NN 01	455,00
BB	RWIT 4BC9 BB 01	455,00
NL	RWIT 4BC9 NL 01	448,00
NF	RWIT 4BC9 NF 01	448,00
HH	RWIT 4BC9 HH 01	551,00
CZ	RWIT 4BC9 CZ 01	551,00
UZ	RWIT 4BC9 UZ 01	551,00
DD	RWIT 4BC9 DD 01	707,00
DZ	RWIT 4BC9 DZ 01	707,00
SZ	RWIT 4BC9 SZ 01	707,00

Miscelatore monocomando lavabo incasso 220
 Concealed washbasin mixer 220
 Mitigeur lavabo à encastrer 220
 UP-Einhand-Waschtischmischer 220

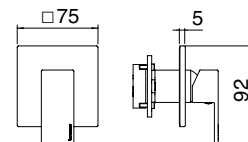
RWIT 51A5 ZZ 01 138,00
 + PARTI INCASSO - CONCEALED BODY
 CORPS À ENCASTRER - UNTERPUTZTEIL





CC	RWIT 4BC5 CC 05	194,00
NN	RWIT 4BC5 NN 05	259,00
BB	RWIT 4BC5 BB 05	259,00
NL	RWIT 4BC5 NL 05	253,00
NF	RWIT 4BC5 NF 05	253,00
HH	RWIT 4BC5 HH 05	299,00
CZ	RWIT 4BC5 CZ 05	299,00
UZ	RWIT 4BC5 UZ 05	299,00
DD	RWIT 4BC5 DD 05	404,00
DZ	RWIT 4BC5 DZ 05	404,00
SZ	RWIT 4BC5 SZ 05	404,00

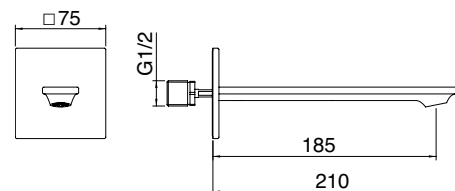
RWIT 51A8 ZZ 03 128,00
 +  PARTI INCASTO - CONCEALED BODY
 CORPS À ENCASTER - UNTERPUTZTEIL



Monocomando remoto lavabo incasso
 Concealed washbasin mixer
 Mitigeur lavabo à encastrer
 UP-Waschtisch Mischer



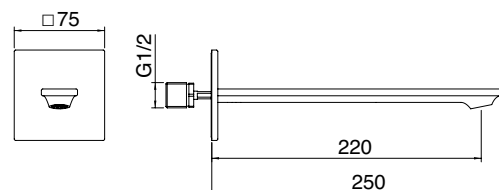
CC	IT 4B63 CC ZZ ZZ	160,00
NN	IT 4B63 NN ZZ ZZ	214,00
BB	IT 4B63 BB ZZ ZZ	214,00
NL	IT 4B63 NL ZZ ZZ	209,00
NF	IT 4B63 NF ZZ ZZ	209,00
HH	IT 4B63 HH ZZ ZZ	247,00
CZ	IT 4B63 CZ ZZ ZZ	247,00
UZ	IT 4B63 UZ ZZ ZZ	247,00
DD	IT 4B63 DD ZZ ZZ	333,00
DZ	IT 4B63 DZ ZZ ZZ	333,00
SZ	IT 4B63 SZ ZZ ZZ	333,00



Bocca a muro 185
 Wall-mtd. spout 185
 Bec mural 185
 Wandauslauf 185



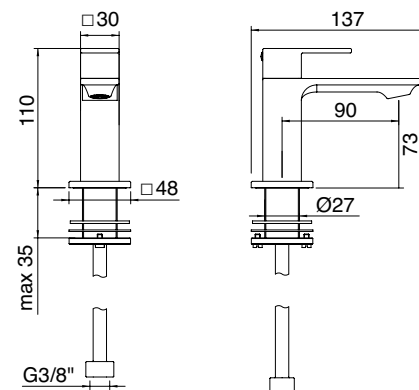
CC	IT 4B61 CC ZZ ZZ	170,00
NN	IT 4B61 NN ZZ ZZ	227,00
BB	IT 4B61 BB ZZ ZZ	227,00
NL	IT 4B61 NL ZZ ZZ	222,00
NF	IT 4B61 NF ZZ ZZ	222,00
HH	IT 4B61 HH ZZ ZZ	263,00
CZ	IT 4B61 CZ ZZ ZZ	263,00
UZ	IT 4B61 UZ ZZ ZZ	263,00
DD	IT 4B61 DD ZZ ZZ	355,00
DZ	IT 4B61 DZ ZZ ZZ	355,00
SZ	IT 4B61 SZ ZZ ZZ	355,00



Bocca a muro 220
 Wall-mtd. spout 220
 Bec mural 220
 Wandauslauf 220



CC	IT 4B19 CC QT ZZ	237,00
NN	IT 4B19 NN QT ZZ	316,00
BB	IT 4B19 BB QT ZZ	316,00
NL	IT 4B19 NL QT ZZ	308,00
NF	IT 4B19 NF QT ZZ	308,00
HH	IT 4B19 HH QT ZZ	366,00
CZ	IT 4B19 CZ QT ZZ	366,00
UZ	IT 4B19 UZ QT ZZ	366,00
DD	IT 4B19 DD QT ZZ	494,00
DZ	IT 4B19 DZ QT ZZ	494,00
SZ	IT 4B19 SZ QT ZZ	494,00



Rubinetto acqua fredda
 Cold water tap
 Robinet eau froide
 Kalt- Wasser Standarmatur





DZ
brushed gold

DD
gold



CZ
brushed black chrome



NF
brushed nickel

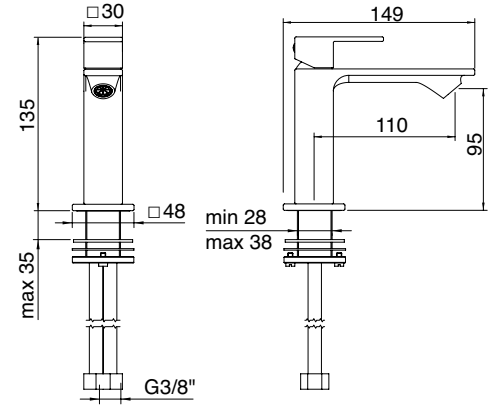


SZ
brushed rose gold



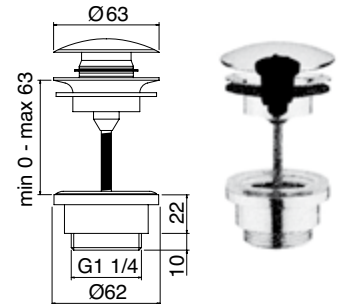
CC	IT 4B22 CC QT ZZ	325,00
NN	IT 4B22 NN QT ZZ	432,00
BB	IT 4B22 BB QT ZZ	432,00
NL	IT 4B22 NL QT ZZ	423,00
NF	IT 4B22 NF QT ZZ	423,00
HH	IT 4B22 HH QT ZZ	501,00
CZ	IT 4B22 CZ QT ZZ	501,00
UZ	IT 4B22 UZ QT ZZ	501,00
DD	IT 4B22 DD QT ZZ	676,00
DZ	IT 4B22 DZ QT ZZ	676,00
SZ	IT 4B22 SZ QT ZZ	676,00

Miscelatore monocomando bidet
Bidet mixer
Mitigeur bidet
Einhand-Bidetmischer



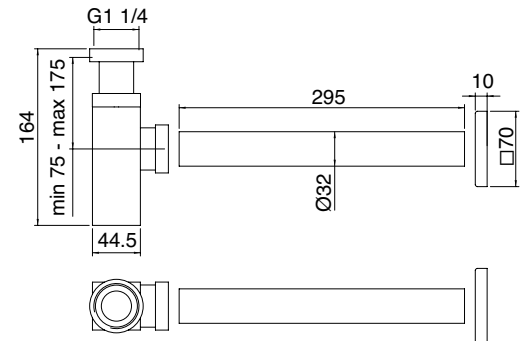
CC	IT RTSA 117 CC	28,00
NN	IT RTSA 117 NN	38,00
BB	IT RTSA 117 BB	38,00
NL	IT RTSA 117 NL	39,00
NF	IT RTSA 117 NF	39,00
HH	IT RTSA 117 HH	45,00
CZ	IT RTSA 117 CZ	45,00
UZ	IT RTSA 117 UZ	45,00
DD	IT RTSA 117 DD	54,00
DZ	IT RTSA 117 DZ	59,00
SZ	IT RTSA 117 SZ	59,00

Scarico click-clack universale con inserto per sempre aperto
Universal up/down pop-up waste with adaptor for continuous water flow
Bonde click-clack universelle avec option écoulement libre
Universal-Abflussgarnitur Click-Clack mit Verschlussperre



CC	IT 0465 CC ZZ ZZ	134,00
NN	IT 0465 NN ZZ ZZ	180,00
BB	IT 0465 BB ZZ ZZ	180,00
NL	IT 0465 NL ZZ ZZ	175,00
NF	IT 0465 NF ZZ ZZ	175,00
HH	IT 0465 HH ZZ ZZ	208,00
CZ	IT 0465 CZ ZZ ZZ	208,00
UZ	IT 0465 UZ ZZ ZZ	208,00
DD	IT 0465 DD ZZ ZZ	280,00
DZ	IT 0465 DZ ZZ ZZ	280,00
SZ	IT 0465 SZ ZZ ZZ	280,00

Sifone a vista
Drain-trap
Siphon
Siphon für Waschtisch





Q30

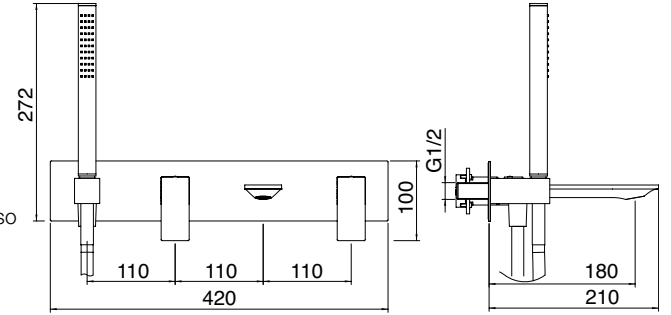


CC	RWIT 4BD7 CC 01	720,00
NN	RWIT 4BD7 NN 01	1.023,00
BB	RWIT 4BD7 BB 01	1.023,00
NL	RWIT 4BD7 NL 01	1.009,00
NF	RWIT 4BD7 NF 01	1.009,00
HH	RWIT 4BD7 HH 01	1.240,00
CZ	RWIT 4BD7 CZ 01	1.240,00
UZ	RWIT 4BD7 UZ 01	1.240,00
DD	RWIT 4BD7 DD 01	1.592,00
DZ	RWIT 4BD7 DZ 01	1.592,00
SZ	RWIT 4BD7 SZ 01	1.592,00

Miscelatore monocomando vasca/doccia incasso
 Concealed bath/shower mixer
 Mitigeur bain/douche à encastrer
 Wanne / Brause EHM UP

RWIT 51D7 ZZ 12 305,00

+ PARTI INCASSO - CONCEALED BODY
 CORPS À ENCASTRER - UNTERPUTZTEIL



RWIT4BC8ZZ10



ITRTAE154ZZ



ITRTAT119ZZ

1,5 cm RWIT51A5ZZ80 v2
 3 cm RWIT51A5ZZ85 v2
 5 cm RWIT51A5ZZ90 v2



1,5 M PVC



METAL



≥ 22 l/min



≤ 8 l/min



N° 151



RWIT51D7ZZ50

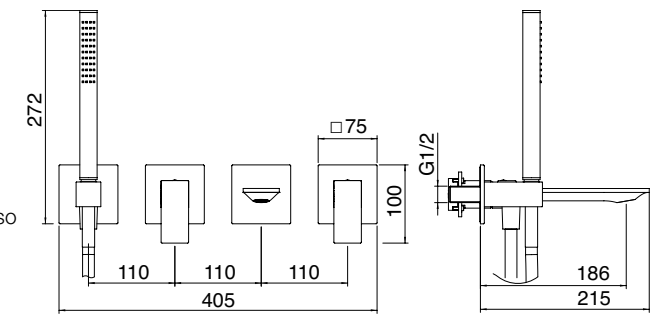


CC	RWIT 4BD8 CC 01	741,00
NN	RWIT 4BD8 NN 01	1.052,00
BB	RWIT 4BD8 BB 01	1.052,00
NL	RWIT 4BD8 NL 01	1.038,00
NF	RWIT 4BD8 NF 01	1.038,00
HH	RWIT 4BD8 HH 01	1.275,00
CZ	RWIT 4BD8 CZ 01	1.275,00
UZ	RWIT 4BD8 UZ 01	1.275,00
DD	RWIT 4BD8 DD 01	1.637,00
DZ	RWIT 4BD8 DZ 01	1.637,00
SZ	RWIT 4BD8 SZ 01	1.637,00

Miscelatore monocomando vasca/doccia incasso
 Concealed bath/shower mixer
 Mitigeur bain/douche à encastrer
 Wanne / Brause EHM UP

RWIT 51D7 ZZ 12 305,00

+ PARTI INCASSO - CONCEALED BODY
 CORPS À ENCASTRER - UNTERPUTZTEIL



RWIT4BC8ZZ10



ITRTAE154ZZ



ITRTAT119ZZ

1,5 cm RWIT51A5ZZ80 v2
 3 cm RWIT51A5ZZ85 v2
 5 cm RWIT51A5ZZ90 v2



1,5 M PVC



METAL



≥ 22 l/min



≤ 8 l/min



N° 151



RWIT51D7ZZ50

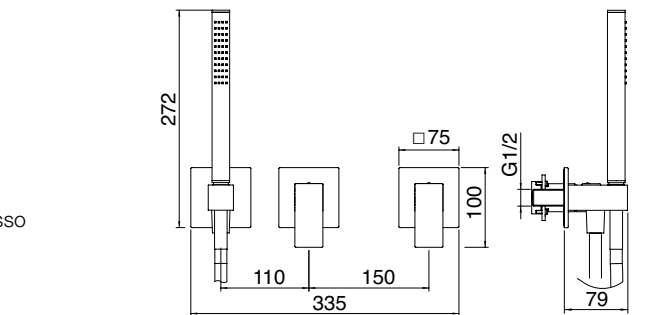


CC	RWIT 4BD9 CC 01	510,00
NN	RWIT 4BD9 NN 01	725,00
BB	RWIT 4BD9 BB 01	725,00
NL	RWIT 4BD9 NL 01	714,00
NF	RWIT 4BD9 NF 01	714,00
HH	RWIT 4BD9 HH 01	878,00
CZ	RWIT 4BD9 CZ 01	878,00
UZ	RWIT 4BD9 UZ 01	878,00
DD	RWIT 4BD9 DD 01	1.127,00
DZ	RWIT 4BD9 DZ 01	1.127,00
SZ	RWIT 4BD9 SZ 01	1.127,00

Miscelatore monocomando vasca/doccia incasso
 Concealed bath/shower mixer
 Mitigeur bain/douche à encastrer
 Wanne / Brause EHM UP

RWIT 51D9 ZZ 01 293,00

+ PARTI INCASSO - CONCEALED BODY
 CORPS À ENCASTRER - UNTERPUTZTEIL



RWIT4BC8ZZ10



1,5 cm RWIT51A5ZZ80 v2
 3 cm RWIT51A5ZZ85 v2
 5 cm RWIT51A5ZZ90 v2



1,5 M PVC



METAL



MAX 24 l/min



≤ 8 l/min



N° 153



RWIT51D9ZZ50

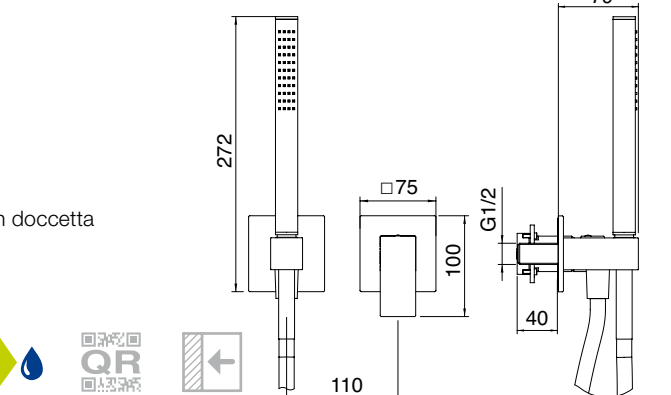


CC	RWIT 4BD4 CC 01	317,00
NN	RWIT 4BD4 NN 01	450,00
BB	RWIT 4BD4 BB 01	450,00
NL	RWIT 4BD4 NL 01	443,00
NF	RWIT 4BD4 NF 01	443,00
HH	RWIT 4BD4 HH 01	545,00
CZ	RWIT 4BD4 CZ 01	545,00
UZ	RWIT 4BD4 UZ 01	545,00
DD	RWIT 4BD4 DD 01	700,00
DZ	RWIT 4BD4 DZ 01	700,00
SZ	RWIT 4BD4 SZ 01	700,00

Miscelatore monocomando incasso doccia con doccia
 Concealed shower mixer with hand-shower
 Mitigeur douche à encastrer avec douchette
 Brause EHM UP mit Handbrause

RWIT 51A5 ZZ 01 138,00

+ PARTI INCASSO - CONCEALED BODY
 CORPS À ENCASTRER - UNTERPUTZTEIL



RWIT4BC8ZZ10



1,5 cm RWIT51A5ZZ80
 3 cm RWIT51A5ZZ85
 5 cm RWIT51A5ZZ90



1,5 M PVC



METAL



8 l/min



N° 146



RWIT51C5ZZ90

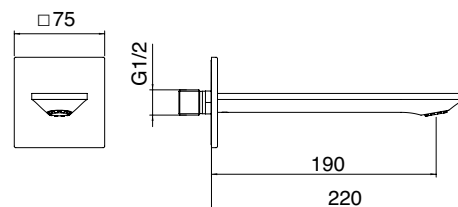


CC	IT 4B63 CC ZZ HF	160,00
NN	IT 4B63 NN ZZ HF	214,00
BB	IT 4B63 BB ZZ HF	214,00
NL	IT 4B63 NL ZZ HF	209,00
NF	IT 4B63 NF ZZ HF	209,00
HH	IT 4B63 HH ZZ HF	247,00
CZ	IT 4B63 CZ ZZ HF	247,00
UZ	IT 4B63 UZ ZZ HF	247,00
DD	IT 4B63 DD ZZ HF	333,00
DZ	IT 4B63 DZ ZZ HF	333,00
SZ	IT 4B63 SZ ZZ HF	333,00

Bocca a muro per vasca 190
Wall-mtd. spout for bathtub 190
Bec mural pour baignoire 190
Wandauslauf für Badewannen 190



ITRTAE154ZZ ITRTAT119ZZ 22 l/min

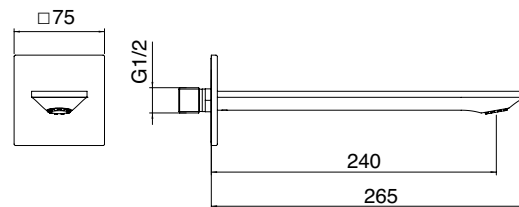


CC	IT 4B61 CC ZZ HF	170,00
NN	IT 4B61 NN ZZ HF	227,00
BB	IT 4B61 BB ZZ HF	227,00
NL	IT 4B61 NL ZZ HF	222,00
NF	IT 4B61 NF ZZ HF	222,00
HH	IT 4B61 HH ZZ HF	263,00
CZ	IT 4B61 CZ ZZ HF	263,00
UZ	IT 4B61 UZ ZZ HF	263,00
DD	IT 4B61 DD ZZ HF	355,00
DZ	IT 4B61 DZ ZZ HF	355,00
SZ	IT 4B61 SZ ZZ HF	355,00

Bocca a muro per vasca 240
Wall-mtd. spout for bathtub 240
Bec mural pour baignoire 240
Wandauslauf für Badewannen 240



ITRTAE154ZZ ITRTAT119ZZ 22 l/min



CC	RWIT 4BC8 CC 01	194,00
NN	RWIT 4BC8 NN 01	276,00
BB	RWIT 4BC8 BB 01	276,00
NL	RWIT 4BC8 NL 01	272,00
NF	RWIT 4BC8 NF 01	272,00
HH	RWIT 4BC8 HH 01	334,00
CZ	RWIT 4BC8 CZ 01	334,00
UZ	RWIT 4BC8 UZ 01	334,00
DD	RWIT 4BC8 DD 01	429,00
DZ	RWIT 4BC8 DZ 01	429,00
SZ	RWIT 4BC8 SZ 01	429,00

Monocomando remoto lavabo/doccia incasso
Concealed washbasin/shower mixer
Mitigeur lavabo/douche à encastrer
UP-Waschtisch/Dusche Mischer



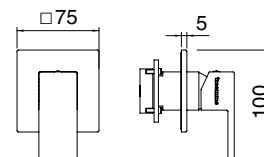
RWIT4BC8ZZ10 1,5cm RWIT51A5ZZ80 3cm RWIT51A5ZZ85 5cm RWIT51A5ZZ90 24 l/min



N° 143

RWIT51A8ZZ90

RWIT 51A8 ZZ 03 128,00
+ PARTI INCASSO - CONCEALED BODY
CORPS À ENCASTRER - UNTERPUTZTEIL



CC	RWIT 4BB1 CC 01	227,00
NN	RWIT 4BB1 NN 01	323,00
BB	RWIT 4BB1 BB 01	323,00
NL	RWIT 4BB1 NL 01	318,00
NF	RWIT 4BB1 NF 01	318,00
HH	RWIT 4BB1 HH 01	391,00
CZ	RWIT 4BB1 CZ 01	391,00
UZ	RWIT 4BB1 UZ 01	391,00
DD	RWIT 4BB1 DD 01	502,00
DZ	RWIT 4BB1 DZ 01	502,00
SZ	RWIT 4BB1 SZ 01	502,00

Miscelatore monocomando vasca/doccia incasso
Concealed bath/shower mixer with diverter
Mitigeur bain/douche à encastrer avec inverseur
UP Wanne/Brause Einhebelmischer



RWIT4BC8ZZ10 1,5cm RWIT51A5ZZ80 3cm RWIT51A5ZZ85 5cm RWIT51A5ZZ90 RWIT5649_90



1/2" 17 l/min

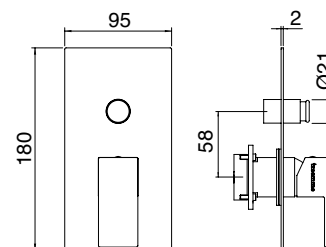
1/2" 21 l/min



N° 14

RWIT8A72ZZ90

RWIT 51B1 ZZ 03 160,00
+ PARTI INCASSO - CONCEALED BODY
CORPS À ENCASTRER - UNTERPUTZTEIL

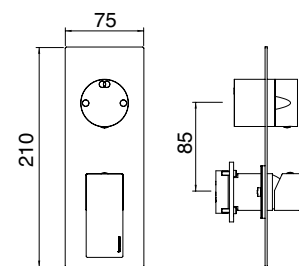




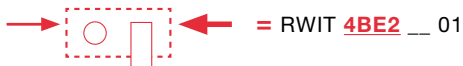


CC	RWIT 4BA2 CC 01	340,00
NN	RWIT 4BA2 NN 01	484,00
BB	RWIT 4BA2 BB 01	484,00
NL	RWIT 4BA2 NL 01	476,00
NF	RWIT 4BA2 NF 01	476,00
HH	RWIT 4BA2 HH 01	586,00
CZ	RWIT 4BA2 CZ 01	586,00
UZ	RWIT 4BA2 UZ 01	586,00
DD	RWIT 4BA2 DD 01	752,00
DZ	RWIT 4BA2 DZ 01	752,00
SZ	RWIT 4BA2 SZ 01	752,00

RWIT 22A2 ZZ 01 237,00
 + PARTI INCASSO - CONCEALED BODY
 CORPS À ENCASTRER - UNTERPUTZTEIL

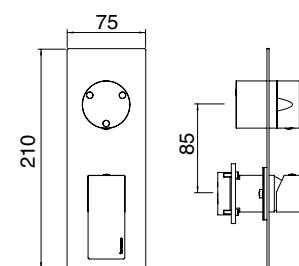


Miscelatore monocomando con deviatore 2 uscite
 Concealed mixer with 2 ways diverter
 Mitigeur à encastrer avec inverseur à 2 sorties
 EHM UP mit 2 Wege Umsteller

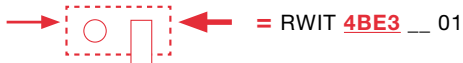


CC	RWIT 4BA3 CC 01	361,00
NN	RWIT 4BA3 NN 01	512,00
BB	RWIT 4BA3 BB 01	512,00
NL	RWIT 4BA3 NL 01	505,00
NF	RWIT 4BA3 NF 01	505,00
HH	RWIT 4BA3 HH 01	621,00
CZ	RWIT 4BA3 CZ 01	621,00
UZ	RWIT 4BA3 UZ 01	621,00
DD	RWIT 4BA3 DD 01	798,00
DZ	RWIT 4BA3 DZ 01	798,00
SZ	RWIT 4BA3 SZ 01	798,00

RWIT 22A2 ZZ 01 237,00
 + PARTI INCASSO - CONCEALED BODY
 CORPS À ENCASTRER - UNTERPUTZTEIL

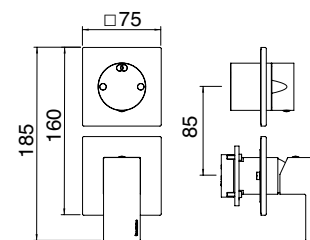


Miscelatore monocomando con deviatore 3 uscite
 Concealed mixer with 3 ways diverter
 Mitigeur à encastrer avec inverseur à 3 sorties
 EHM UP mit 3 Wege Umsteller

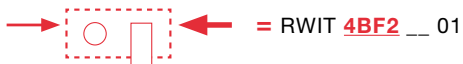


CC	RWIT 4BC2 CC 01	366,00
NN	RWIT 4BC2 NN 01	521,00
BB	RWIT 4BC2 BB 01	521,00
NL	RWIT 4BC2 NL 01	512,00
NF	RWIT 4BC2 NF 01	512,00
HH	RWIT 4BC2 HH 01	630,00
CZ	RWIT 4BC2 CZ 01	630,00
UZ	RWIT 4BC2 UZ 01	630,00
DD	RWIT 4BC2 DD 01	809,00
DZ	RWIT 4BC2 DZ 01	809,00
SZ	RWIT 4BC2 SZ 01	809,00

RWIT 22A2 ZZ 01 237,00
 + PARTI INCASSO - CONCEALED BODY
 CORPS À ENCASTRER - UNTERPUTZTEIL

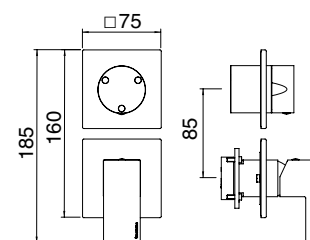


Miscelatore monocomando con deviatore 2 uscite
 Concealed mixer with 2 ways diverter
 Mitigeur à encastrer avec inverseur à 2 sorties
 EHM UP mit 2 Wege Umsteller

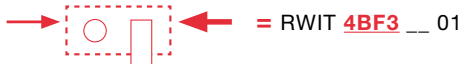


CC	RWIT 4BC3 CC 01	387,00
NN	RWIT 4BC3 NN 01	549,00
BB	RWIT 4BC3 BB 01	549,00
NL	RWIT 4BC3 NL 01	541,00
NF	RWIT 4BC3 NF 01	541,00
HH	RWIT 4BC3 HH 01	665,00
CZ	RWIT 4BC3 CZ 01	665,00
UZ	RWIT 4BC3 UZ 01	665,00
DD	RWIT 4BC3 DD 01	854,00
DZ	RWIT 4BC3 DZ 01	854,00
SZ	RWIT 4BC3 SZ 01	854,00

RWIT 22A2 ZZ 01 237,00
 + PARTI INCASSO - CONCEALED BODY
 CORPS À ENCASTRER - UNTERPUTZTEIL



Miscelatore monocomando con deviatore 3 uscite
 Concealed mixer with 3 ways diverter
 Mitigeur à encastrer avec inverseur à 3 sorties
 EHM UP mit 3 Wege Umsteller

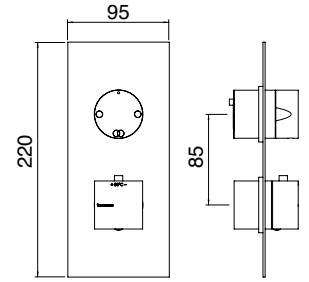


Q30



CC	RWIT 8A46 CC 23	270,00
NN	RWIT 8A46 NN 23	385,00
BB	RWIT 8A46 BB 23	385,00
NL	RWIT 8A46 NL 23	379,00
NF	RWIT 8A46 NF 23	379,00
HH	RWIT 8A46 HH 23	465,00
CZ	RWIT 8A46 CZ 23	465,00
UZ	RWIT 8A46 UZ 23	465,00
DD	RWIT 8A46 DD 23	598,00
DZ	RWIT 8A46 DZ 23	598,00
SZ	RWIT 8A46 SZ 23	598,00

RWIT 8A46 ZZ 20 309,00
 + PARTI INCASSO - CONCEALED BODY
 CORPS À ENCASTRER - UNTERPUTZTEIL

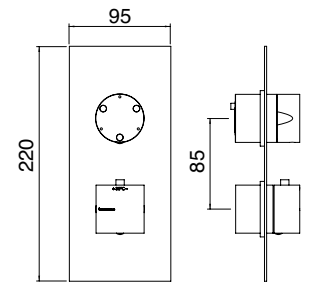


Termostatico incasso con deviatore 2 uscite
 Concealed thermostatic with 2 ways diverter
 Thermostatique à encastrer avec inverseur à 2 sorties
 UP-Thermostat mit 2 Wege Umsteller



CC	RWIT 8A72 CC 23	322,00
NN	RWIT 8A72 NN 23	458,00
BB	RWIT 8A72 BB 23	458,00
NL	RWIT 8A72 NL 23	451,00
NF	RWIT 8A72 NF 23	451,00
HH	RWIT 8A72 HH 23	554,00
CZ	RWIT 8A72 CZ 23	554,00
UZ	RWIT 8A72 UZ 23	554,00
DD	RWIT 8A72 DD 23	711,00
DZ	RWIT 8A72 DZ 23	711,00
SZ	RWIT 8A72 SZ 23	711,00

RWIT 8A72 ZZ 20 309,00
 + PARTI INCASSO - CONCEALED BODY
 CORPS À ENCASTRER - UNTERPUTZTEIL

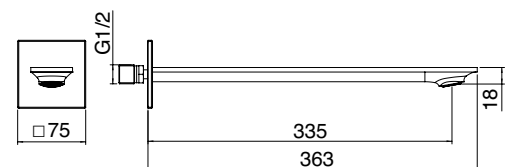


Termostatico incasso con deviatore 3 uscite
 Concealed thermostatic with 3 ways diverter
 Thermostatique à encastrer avec inverseur à 3 sorties
 UP-Thermostat mit 3 Wege Umsteller



CC	RWIT 4B47 CC 01	279,00
NN	RWIT 4B47 NN 01	371,00
BB	RWIT 4B47 BB 01	371,00
NL	RWIT 4B47 NL 01	362,00
NF	RWIT 4B47 NF 01	362,00
HH	RWIT 4B47 HH 01	429,00
CZ	RWIT 4B47 CZ 01	429,00
UZ	RWIT 4B47 UZ 01	429,00
DD	RWIT 4B47 DD 01	579,00
DZ	RWIT 4B47 DZ 01	579,00
SZ	RWIT 4B47 SZ 01	579,00

Soffione a parete
 Wall-mtd. shower-head
 Douche de tête mural
 Wand Kopfbrause





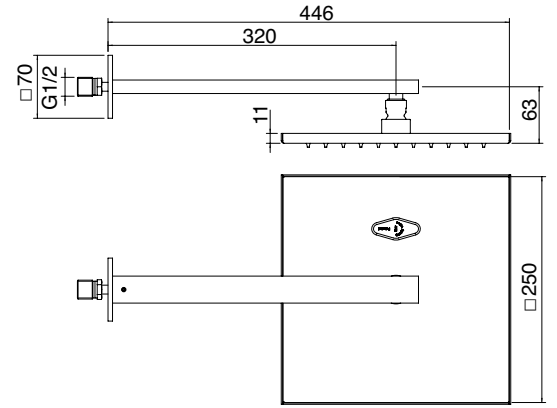


CC	RWIT 5607 CC 01	472,00
NN	RWIT 5607 NN 01	628,00
BB	RWIT 5607 BB 01	628,00
NL	RWIT 5607 NL 01	614,00
NF	RWIT 5607 NF 01	614,00
HH	RWIT 5607 HH 01	727,00
CZ	RWIT 5607 CZ 01	727,00
UZ	RWIT 5607 UZ 01	727,00
DD	RWIT 5607 DD 01	981,00
DZ	RWIT 5607 DZ 01	981,00
SZ	RWIT 5607 SZ 01	981,00

Soffione a parete anticalcare
Anti-limescale shower-head
Douche de tête anticalcaire avec bras mural
Antikalk Kopfbrause mit Arm



METAL 250 mm 9l/min

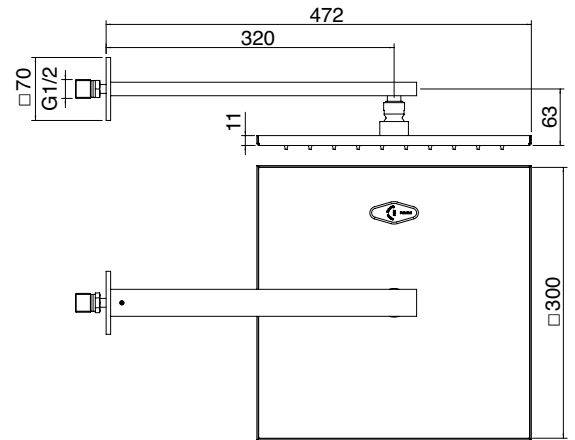


CC	RWIT 5607 CC 02	521,00
NN	RWIT 5607 NN 02	693,00
BB	RWIT 5607 BB 02	693,00
NL	RWIT 5607 NL 02	677,00
NF	RWIT 5607 NF 02	677,00
HH	RWIT 5607 HH 02	802,00
CZ	RWIT 5607 CZ 02	802,00
UZ	RWIT 5607 UZ 02	802,00
DD	RWIT 5607 DD 02	1.115,00
DZ	RWIT 5607 DZ 02	1.115,00
SZ	RWIT 5607 SZ 02	1.115,00

Soffione a parete anticalcare
Anti-limescale shower-head
Douche de tête anticalcaire avec bras mural
Antikalk Kopfbrause mit Arm



METAL 300 mm 9l/min

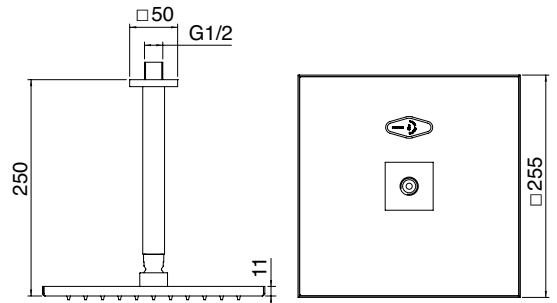


CC	IT 0496 CC ZZ ZZ	300,00
NN	IT 0496 NN ZZ ZZ	400,00
BB	IT 0496 BB ZZ ZZ	400,00
NL	IT 0496 NL ZZ ZZ	391,00
NF	IT 0496 NF ZZ ZZ	391,00
HH	IT 0496 HH ZZ ZZ	463,00
CZ	IT 0496 CZ ZZ ZZ	463,00
UZ	IT 0496 UZ ZZ ZZ	463,00
DD	IT 0496 DD ZZ ZZ	624,00
DZ	IT 0496 DZ ZZ ZZ	624,00
SZ	IT 0496 SZ ZZ ZZ	624,00

Soffione a soffitto anticalcare
Ceiling anti-limescale shower-head
Douche de tête anticalcaire avec bras au plafond
Antikalk Regenbrause mit Deckenanbindung



METAL 255 mm 9l/min

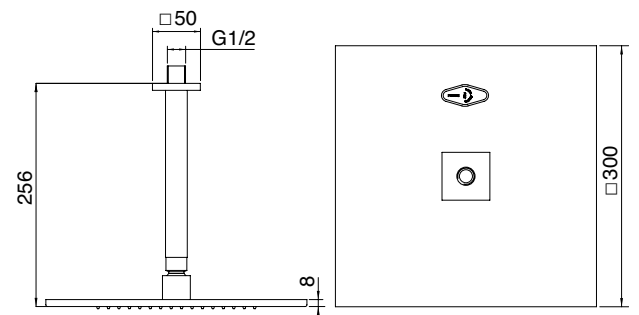


CC	IT 6510 CC ZZ ZZ	348,00
NN	IT 6510 NN ZZ ZZ	463,00
BB	IT 6510 BB ZZ ZZ	463,00
NL	IT 6510 NL ZZ ZZ	453,00
NF	IT 6510 NF ZZ ZZ	453,00
HH	IT 6510 HH ZZ ZZ	536,00
CZ	IT 6510 CZ ZZ ZZ	536,00
UZ	IT 6510 UZ ZZ ZZ	536,00
DD	IT 6510 DD ZZ ZZ	724,00
DZ	IT 6510 DZ ZZ ZZ	724,00
SZ	IT 6510 SZ ZZ ZZ	724,00

Soffione a soffitto anticalcare
Ceiling anti-limescale shower-head
Douche de tête anticalcaire avec bras au plafond
Antikalk Regenbrause mit Deckenanbindung



METAL 300 mm 9l/min





CC	IT 0411 CC ZZ ZZ	279,00
NN	IT 0411 NN ZZ ZZ	380,00
BB	IT 0411 BB ZZ ZZ	380,00
NL	IT 0411 NL ZZ ZZ	374,00
NF	IT 0411 NF ZZ ZZ	374,00
HH	IT 0411 HH ZZ ZZ	430,00
CZ	IT 0411 CZ ZZ ZZ	430,00
UZ	IT 0411 UZ ZZ ZZ	430,00
DD	IT 0411 DD ZZ ZZ	554,00
DZ	IT 0411 DZ ZZ ZZ	578,00
SZ	IT 0411 SZ ZZ ZZ	578,00

Kit saliscendi senza presa acqua
Sliding-bar kit without wall hose outlet
Barre coulissante sans coude mural
Gleitstange ohne Wandanschlussbogen



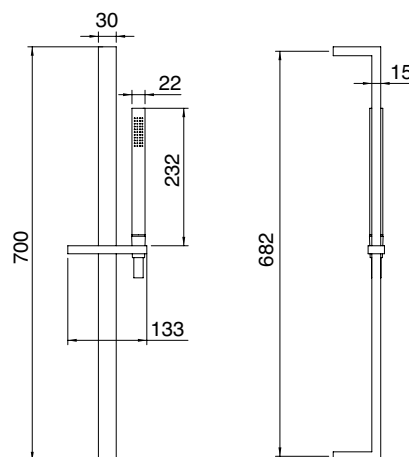
1,5 M PVC



METAL



8 l/min



CC	IT RTGA 119 CC	39,00
NN	IT RTGA 119 NN	50,00
BB	IT RTGA 119 BB	50,00
NL	IT RTGA 119 NL	51,00
NF	IT RTGA 119 NF	51,00
HH	IT RTGA 119 HH	58,00
CZ	IT RTGA 119 CZ	58,00
UZ	IT RTGA 119 UZ	58,00
DD	IT RTGA 119 DD	73,00
DZ	IT RTGA 119 DZ	79,00
SZ	IT RTGA 119 SZ	79,00

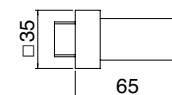
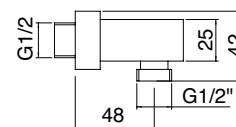
Presa acqua a muro
Wall hose outlet
Coude mural
Wandanschlussbogen



1/2 M



1/2 M



CC	RWIT 5605 CC 74	182,00
NN	RWIT 5605 NN 74	254,00
BB	RWIT 5605 BB 74	254,00
NL	RWIT 5605 NL 74	244,00
NF	RWIT 5605 NF 74	244,00
HH	RWIT 5605 HH 74	278,00
CZ	RWIT 5605 CZ 74	278,00
UZ	RWIT 5605 UZ 74	278,00
DD	RWIT 5605 DD 74	366,00
DZ	RWIT 5605 DZ 74	374,00
SZ	RWIT 5605 SZ 74	374,00

Kit gancio, flessibile, doccia
Hook, flexible and hand shower kit
Kit support, flexible et douche
Brausehalter, Schlauch und Handbrause



1,5 M PVC



METAL



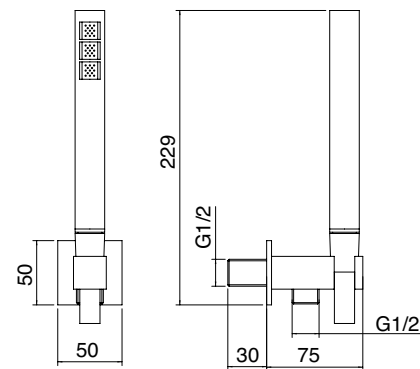
1/2 M



1/2 M



8 l/min



CC	RWIT 4BD4 CC 02	276,00
NN	RWIT 4BD4 NN 02	392,00
BB	RWIT 4BD4 BB 02	392,00
NL	RWIT 4BD4 NL 02	386,00
NF	RWIT 4BD4 NF 02	386,00
HH	RWIT 4BD4 HH 02	474,00
CZ	RWIT 4BD4 CZ 02	474,00
UZ	RWIT 4BD4 UZ 02	474,00
DD	RWIT 4BD4 DD 02	609,00
DZ	RWIT 4BD4 DZ 02	609,00
SZ	RWIT 4BD4 SZ 02	609,00

Miscelatore incasso con doccia per WC
Concealed mixer with wc hand shower
Mitigeur à encastrer avec douche WC
U-P Mischer mit WC Handbrause



RWIT4BC8ZZ10



ITRTAE186ZZ



ITRTAT120ZZ

1,5 cm RWIT51ASZZ80
3 cm RWIT51ASZZ85
5 cm RWIT51ASZZ90



1 M PVC



METAL



7 l/min



N° 146

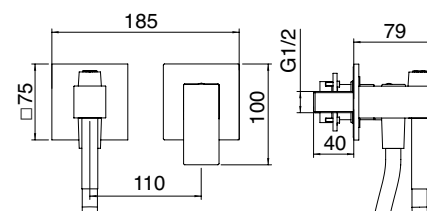


RWIT51C5ZZ90

RWIT 51A5 ZZ 01 138,00
+ PARTI INCASSO - CONCEALED BODY
CORPS À ENCASTRER - UNTERPUTZTEIL



P_790



Q30



CC	RWIT 6565 CC 10	289,00
NN	RWIT 6565 NN 10	385,00
BB	RWIT 6565 BB 10	385,00
NL	RWIT 6565 NL 10	375,00
NF	RWIT 6565 NF 10	375,00
HH	RWIT 6565 HH 10	445,00
CZ	RWIT 6565 CZ 10	445,00
UZ	RWIT 6565 UZ 10	445,00
DD	RWIT 6565 DD 10	601,00
DZ	RWIT 6565 DZ 10	601,00
SZ	RWIT 6565 SZ 10	601,00

Idroscopino per WC
WC hand shower set
Douchette pour WC
Handbrause Set für WC



1 M PVC



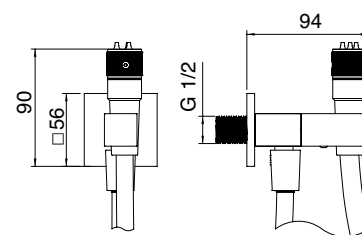
METAL



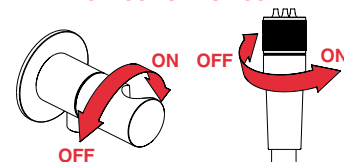
4 l/min



1/2 M



INSTRUCTION FOR USE



CC	IT RTBR 203 CC	94,00
NN	IT RTBR 203 NN	126,00
BB	IT RTBR 203 BB	126,00
NL	IT RTBR 203 NL	123,00
NF	IT RTBR 203 NF	123,00
HH	IT RTBR 203 HH	146,00
CZ	IT RTBR 203 CZ	146,00
UZ	IT RTBR 203 UZ	146,00
DD	IT RTBR 203 DD	196,00
DZ	IT RTBR 203 DZ	196,00
SZ	IT RTBR 203 SZ	196,00

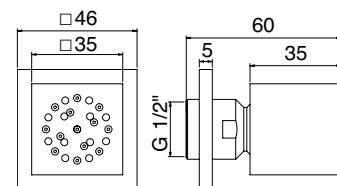
Soffione laterale
Nozzle
Buse
Düse



1/2 M



4 l/min



CC	IT RTBR 278 CC	163,00
NN	IT RTBR 278 NN	218,00
BB	IT RTBR 278 BB	218,00
NL	IT RTBR 278 NL	212,00
NF	IT RTBR 278 NF	212,00
HH	IT RTBR 278 HH	252,00
CZ	IT RTBR 278 CZ	252,00
DD	IT RTBR 278 DD	339,00
DZ	IT RTBR 278 DZ	339,00
SZ	IT RTBR 278 SZ	339,00

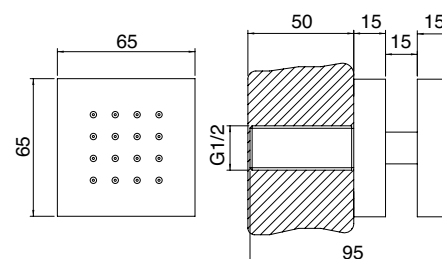
Soffione laterale
Nozzle
Buse
Düse



1/2 F



4 l/min



Per ulteriori composizioni doccia vedi sezione SHOWERS & THERMOSTATICS

For other shower fittings check the SHOWERS & THERMOSTATICS section

Pour d'autres solutions douche voir section SHOWERS & THERMOSTATICS

Für weitere duschaustattungen siehe abschnitt SHOWERS & THERMOSTATICS

T30

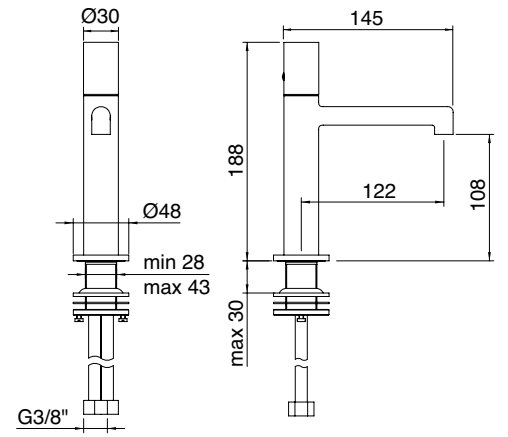
design by Giampiero Castagnoli & Marco Pisati

- chrome **CC**
- matt black **NN**
- matt white **BB**
- polished nickel **NL**
- brushed nickel **NF**
- polished black chrome **HH**
- brushed black chrome **CZ**
- brushed brass **UZ**
- gold **DD**
- brushed gold **DZ**
- brushed rose gold **SZ**



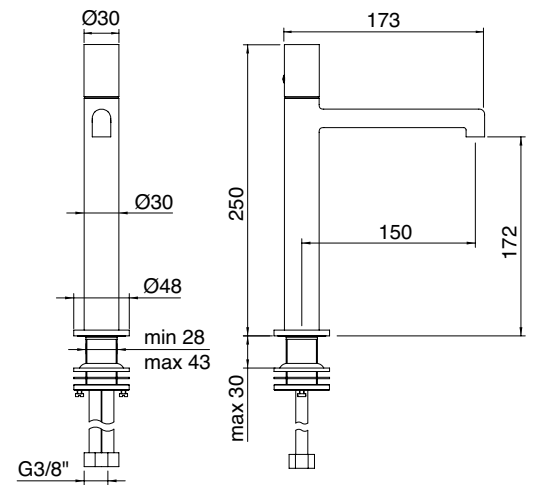
CC	IT 5B11 CC ZT ZZ	232,00
NN	IT 5B11 NN ZT ZZ	309,00
BB	IT 5B11 BB ZT ZZ	309,00
NL	IT 5B11 NL ZT ZZ	302,00
NF	IT 5B11 NF ZT ZZ	302,00
HH	IT 5B11 HH ZT ZZ	358,00
CZ	IT 5B11 CZ ZT ZZ	358,00
UZ	IT 5B11 UZ ZT ZZ	358,00
DD	IT 5B11 DD ZT ZZ	483,00
DZ	IT 5B11 DZ ZT ZZ	483,00
SZ	IT 5B11 SZ ZT ZZ	483,00

Miscelatore monocomando lavabo 108
Washbasin mixer 108
Mitigeur lavabo 108
Einhand-Waschtischmischer 108



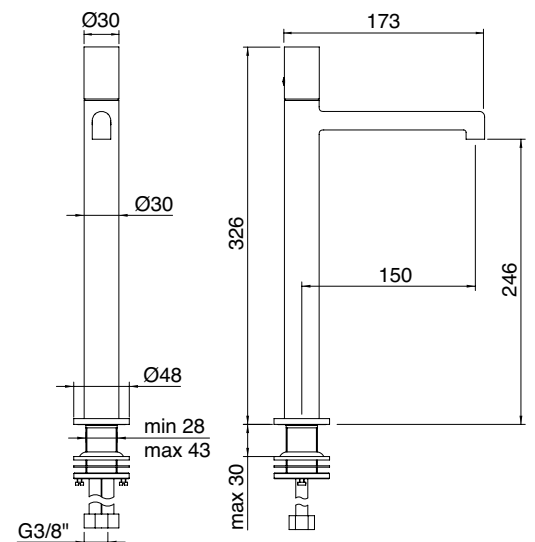
CC	IT 5B27 CC ZT ZZ	263,00
NN	IT 5B27 NN ZT ZZ	351,00
BB	IT 5B27 BB ZT ZZ	351,00
NL	IT 5B27 NL ZT ZZ	342,00
NF	IT 5B27 NF ZT ZZ	342,00
HH	IT 5B27 HH ZT ZZ	405,00
CZ	IT 5B27 CZ ZT ZZ	405,00
UZ	IT 5B27 UZ ZT ZZ	405,00
DD	IT 5B27 DD ZT ZZ	547,00
DZ	IT 5B27 DZ ZT ZZ	547,00
SZ	IT 5B27 SZ ZT ZZ	547,00

Miscelatore monocomando lavabo 172
Washbasin mixer 172
Mitigeur lavabo 172
Einhand-Waschtischmischer 172



CC	IT 5B18 CC ZT ZZ	273,00
NN	IT 5B18 NN ZT ZZ	364,00
BB	IT 5B18 BB ZT ZZ	364,00
NL	IT 5B18 NL ZT ZZ	356,00
NF	IT 5B18 NF ZT ZZ	356,00
HH	IT 5B18 HH ZT ZZ	422,00
CZ	IT 5B18 CZ ZT ZZ	422,00
UZ	IT 5B18 UZ ZT ZZ	422,00
DD	IT 5B18 DD ZT ZZ	569,00
DZ	IT 5B18 DZ ZT ZZ	569,00
SZ	IT 5B18 SZ ZT ZZ	569,00

Miscelatore monocomando lavabo 246
Washbasin mixer 246
Mitigeur lavabo 246
Einhand-Waschtischmischer 246





IT 5B18 CZ Z4 ZZ

T30

Q30

W-70S

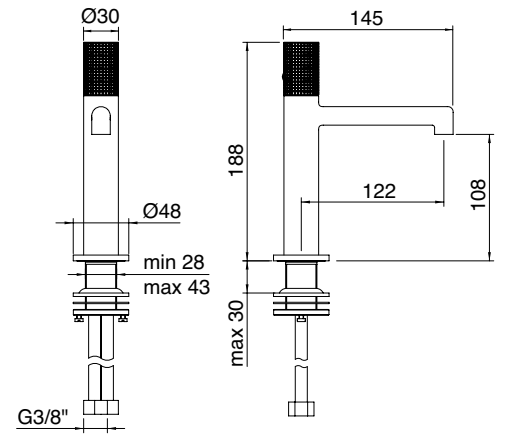
WATT

T30



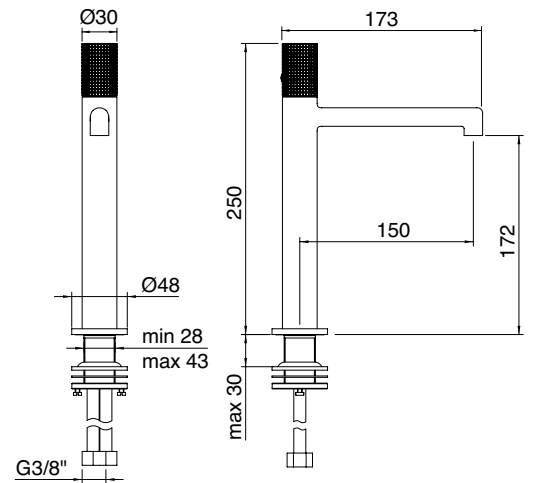
CC	IT 5B11 CC Z4 ZZ	257,00
NN	IT 5B11 NN Z4 ZZ	342,00
BB	IT 5B11 BB Z4 ZZ	342,00
NL	IT 5B11 NL Z4 ZZ	334,00
NF	IT 5B11 NF Z4 ZZ	334,00
HH	IT 5B11 HH Z4 ZZ	396,00
CZ	IT 5B11 CZ Z4 ZZ	396,00
UZ	IT 5B11 UZ Z4 ZZ	396,00
DD	IT 5B11 DD Z4 ZZ	534,00
DZ	IT 5B11 DZ Z4 ZZ	534,00
SZ	IT 5B11 SZ Z4 ZZ	534,00

Miscelatore monocomando lavabo 108
 Washbasin mixer 108
 Mitigeur lavabo 108
 Einhand-Waschtischmischer 108



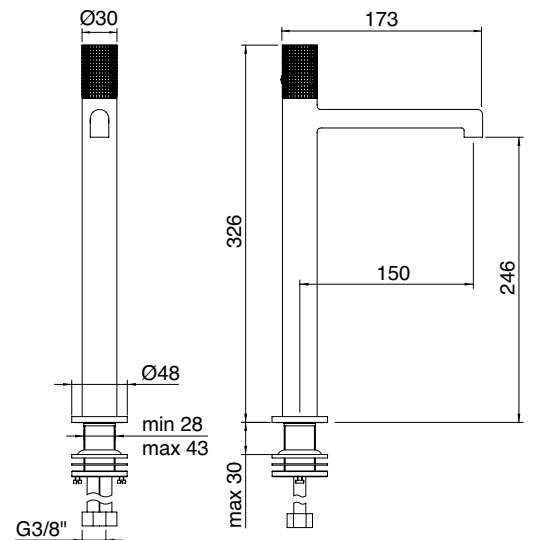
CC	IT 5B27 CC Z4 ZZ	284,00
NN	IT 5B27 NN Z4 ZZ	377,00
BB	IT 5B27 BB Z4 ZZ	377,00
NL	IT 5B27 NL Z4 ZZ	369,00
NF	IT 5B27 NF Z4 ZZ	369,00
HH	IT 5B27 HH Z4 ZZ	437,00
CZ	IT 5B27 CZ Z4 ZZ	437,00
UZ	IT 5B27 UZ Z4 ZZ	437,00
DD	IT 5B27 DD Z4 ZZ	590,00
DZ	IT 5B27 DZ Z4 ZZ	590,00
SZ	IT 5B27 SZ Z4 ZZ	590,00

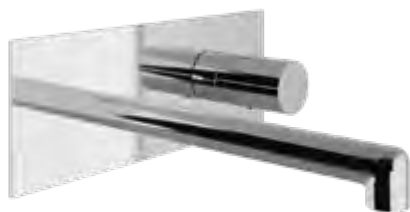
Miscelatore monocomando lavabo 172
 Washbasin mixer 172
 Mitigeur lavabo 172
 Einhand-Waschtischmischer 172



CC	IT 5B18 CC Z4 ZZ	294,00
NN	IT 5B18 NN Z4 ZZ	392,00
BB	IT 5B18 BB Z4 ZZ	392,00
NL	IT 5B18 NL Z4 ZZ	383,00
NF	IT 5B18 NF Z4 ZZ	383,00
HH	IT 5B18 HH Z4 ZZ	453,00
CZ	IT 5B18 CZ Z4 ZZ	453,00
UZ	IT 5B18 UZ Z4 ZZ	453,00
DD	IT 5B18 DD Z4 ZZ	611,00
DZ	IT 5B18 DZ Z4 ZZ	611,00
SZ	IT 5B18 SZ Z4 ZZ	611,00

Miscelatore monocomando lavabo 246
 Washbasin mixer 246
 Mitigeur lavabo 246
 Einhand-Waschtischmischer 246

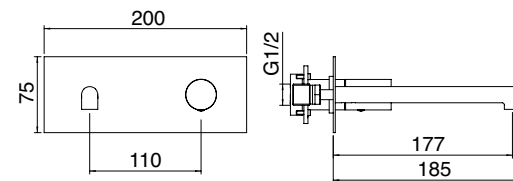




CC	RWIT 5BA5 CC 01	284,00
NN	RWIT 5BA5 NN 01	403,00
BB	RWIT 5BA5 BB 01	403,00
NL	RWIT 5BA5 NL 01	397,00
NF	RWIT 5BA5 NF 01	397,00
HH	RWIT 5BA5 HH 01	488,00
CZ	RWIT 5BA5 CZ 01	488,00
UZ	RWIT 5BA5 UZ 01	488,00
DD	RWIT 5BA5 DD 01	627,00
DZ	RWIT 5BA5 DZ 01	627,00
SZ	RWIT 5BA5 SZ 01	627,00

Miscelatore monocomando lavabo incasso 177
 Concealed washbasin mixer 177
 Mitigeur lavabo à encastrer 177
 UP-Einhand-Waschtischmischer 177

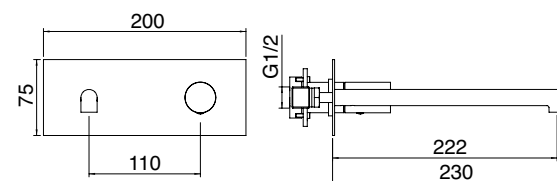
RWIT 51A5 ZZ 01 138,00
 + PARTI INCASSO - CONCEALED BODY
 CORPS À ENCASTRER - UNTERPUTZTEIL



CC	RWIT 5BA6 CC 01	294,00
NN	RWIT 5BA6 NN 01	418,00
BB	RWIT 5BA6 BB 01	418,00
NL	RWIT 5BA6 NL 01	411,00
NF	RWIT 5BA6 NF 01	411,00
HH	RWIT 5BA6 HH 01	506,00
CZ	RWIT 5BA6 CZ 01	506,00
UZ	RWIT 5BA6 UZ 01	506,00
DD	RWIT 5BA6 DD 01	649,00
DZ	RWIT 5BA6 DZ 01	649,00
SZ	RWIT 5BA6 SZ 01	649,00

Miscelatore monocomando lavabo incasso 222
 Concealed washbasin mixer 222
 Mitigeur lavabo à encastrer 222
 UP-Einhand-Waschtischmischer 222

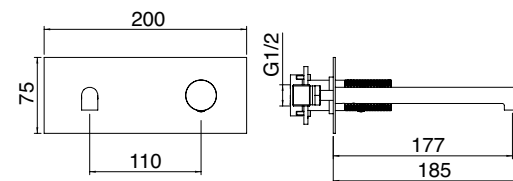
RWIT 51A5 ZZ 01 138,00
 + PARTI INCASSO - CONCEALED BODY
 CORPS À ENCASTRER - UNTERPUTZTEIL



CC	RWIT 5BA5 CC Z4	304,00
NN	RWIT 5BA5 NN Z4	432,00
BB	RWIT 5BA5 BB Z4	432,00
NL	RWIT 5BA5 NL Z4	426,00
NF	RWIT 5BA5 NF Z4	426,00
HH	RWIT 5BA5 HH Z4	524,00
CZ	RWIT 5BA5 CZ Z4	524,00
UZ	RWIT 5BA5 UZ Z4	524,00
DD	RWIT 5BA5 DD Z4	672,00
DZ	RWIT 5BA5 DZ Z4	672,00
SZ	RWIT 5BA5 SZ Z4	672,00

Miscelatore monocomando lavabo incasso 177
 Concealed washbasin mixer 177
 Mitigeur lavabo à encastrer 177
 UP-Einhand-Waschtischmischer 177

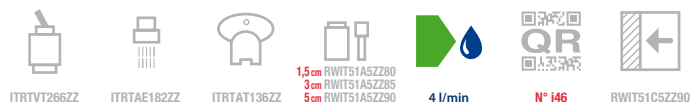
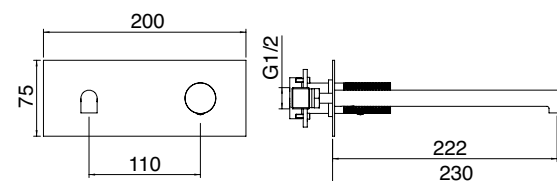
RWIT 51A5 ZZ 01 138,00
 + PARTI INCASSO - CONCEALED BODY
 CORPS À ENCASTRER - UNTERPUTZTEIL



CC	RWIT 5BA6 CC Z4	315,00
NN	RWIT 5BA6 NN Z4	448,00
BB	RWIT 5BA6 BB Z4	448,00
NL	RWIT 5BA6 NL Z4	440,00
NF	RWIT 5BA6 NF Z4	440,00
HH	RWIT 5BA6 HH Z4	541,00
CZ	RWIT 5BA6 CZ Z4	541,00
UZ	RWIT 5BA6 UZ Z4	541,00
DD	RWIT 5BA6 DD Z4	696,00
DZ	RWIT 5BA6 DZ Z4	696,00
SZ	RWIT 5BA6 SZ Z4	696,00

Miscelatore monocomando lavabo incasso 222
 Concealed washbasin mixer 222
 Mitigeur lavabo à encastrer 222
 UP-Einhand-Waschtischmischer 222

RWIT 51A5 ZZ 01 138,00
 + PARTI INCASSO - CONCEALED BODY
 CORPS À ENCASTRER - UNTERPUTZTEIL





HH
polished black chrome

NL
polished nickel



DZ
brushed gold



DD
gold



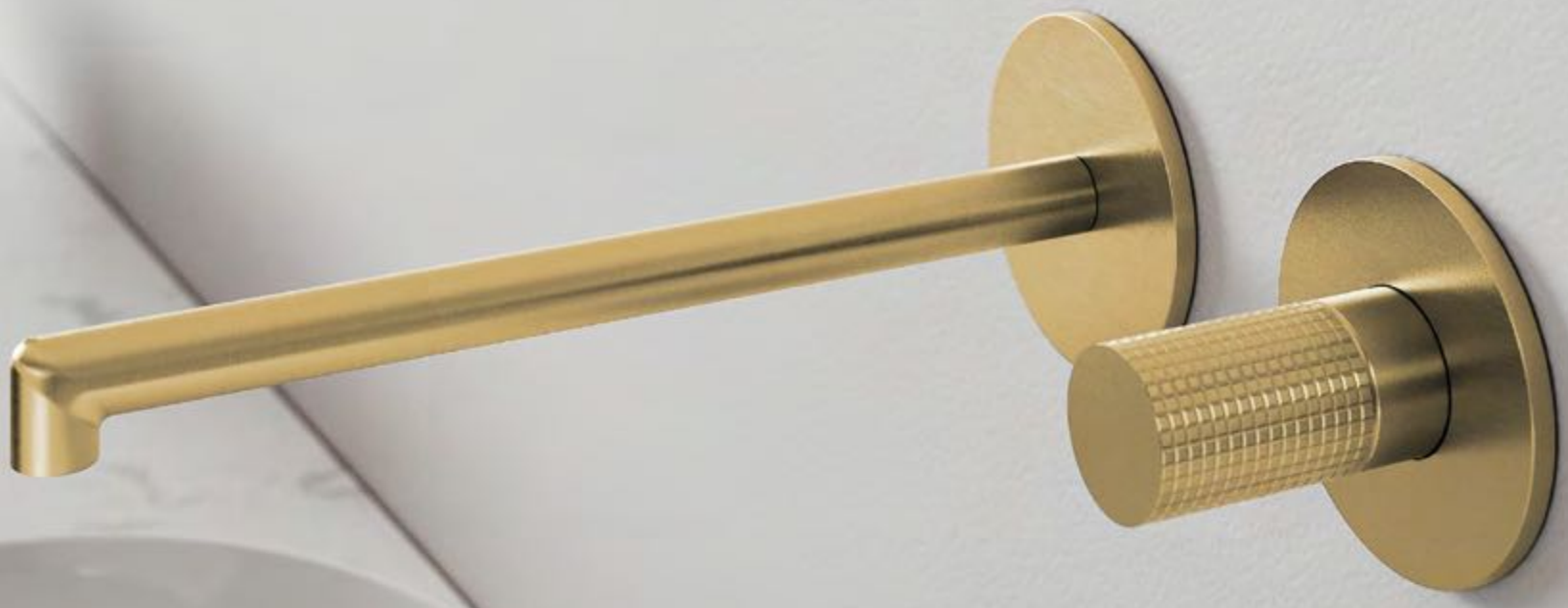
SZ
brushed rose gold

WATT

W-70S

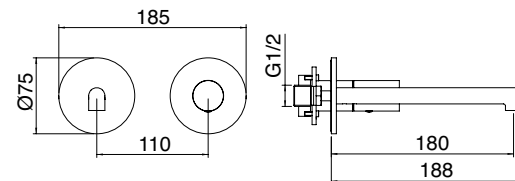
Q30

T30



CC	RWIT 5BC5 CC 02	307,00
NN	RWIT 5BC5 NN 02	437,00
BB	RWIT 5BC5 BB 02	437,00
NL	RWIT 5BC5 NL 02	431,00
NF	RWIT 5BC5 NF 02	431,00
HH	RWIT 5BC5 HH 02	529,00
CZ	RWIT 5BC5 CZ 02	529,00
UZ	RWIT 5BC5 UZ 02	529,00
DD	RWIT 5BC5 DD 02	679,00
DZ	RWIT 5BC5 DZ 02	679,00
SZ	RWIT 5BC5 SZ 02	679,00

RWIT 51A5 ZZ 01 138,00
 + PARTI INCASSO - CONCEALED BODY
 CORPS À ENCASTRER - UNTERPUTZTEIL

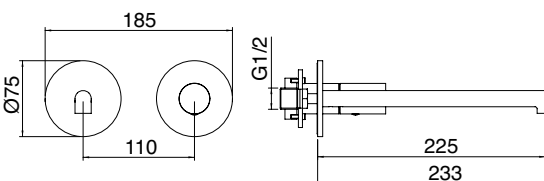


Miscelatore monocomando lavabo incasso 180
 Concealed washbasin mixer 180
 Mitigeur lavabo à encastrer 180
 UP-Einhand-Waschtischmischer 180



CC	RWIT 5BC6 CC 02	318,00
NN	RWIT 5BC6 NN 02	452,00
BB	RWIT 5BC6 BB 02	452,00
NL	RWIT 5BC6 NL 02	445,00
NF	RWIT 5BC6 NF 02	445,00
HH	RWIT 5BC6 HH 02	546,00
CZ	RWIT 5BC6 CZ 02	546,00
UZ	RWIT 5BC6 UZ 02	546,00
DD	RWIT 5BC6 DD 02	702,00
DZ	RWIT 5BC6 DZ 02	702,00
SZ	RWIT 5BC6 SZ 02	702,00

RWIT 51A5 ZZ 01 138,00
 + PARTI INCASSO - CONCEALED BODY
 CORPS À ENCASTRER - UNTERPUTZTEIL

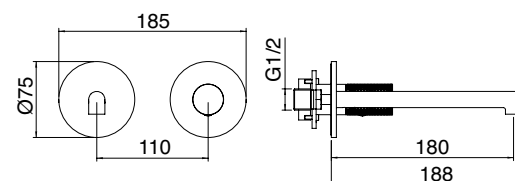


Miscelatore monocomando lavabo incasso 225
 Concealed washbasin mixer 225
 Mitigeur lavabo à encastrer 225
 UP-Einhand-Waschtischmischer 225



CC	RWIT 5BC5 CC Z4	330,00
NN	RWIT 5BC5 NN Z4	469,00
BB	RWIT 5BC5 BB Z4	469,00
NL	RWIT 5BC5 NL Z4	462,00
NF	RWIT 5BC5 NF Z4	462,00
HH	RWIT 5BC5 HH Z4	568,00
CZ	RWIT 5BC5 CZ Z4	568,00
UZ	RWIT 5BC5 UZ Z4	568,00
DD	RWIT 5BC5 DD Z4	730,00
DZ	RWIT 5BC5 DZ Z4	730,00
SZ	RWIT 5BC5 SZ Z4	730,00

RWIT 51A5 ZZ 01 138,00
 + PARTI INCASSO - CONCEALED BODY
 CORPS À ENCASTRER - UNTERPUTZTEIL

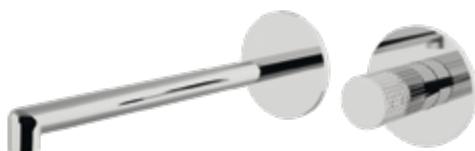
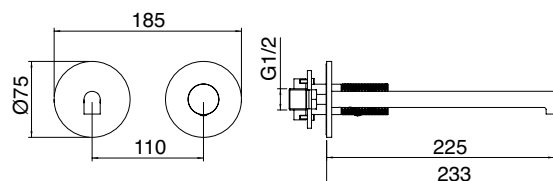


Miscelatore monocomando lavabo incasso 180
 Concealed washbasin mixer 180
 Mitigeur lavabo à encastrer 180
 UP-Einhand-Waschtischmischer 180

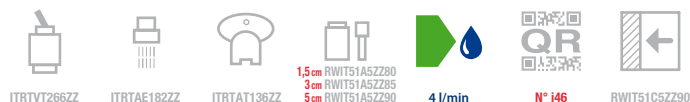


CC	RWIT 5BC6 CC Z4	340,00
NN	RWIT 5BC6 NN Z4	484,00
BB	RWIT 5BC6 BB Z4	484,00
NL	RWIT 5BC6 NL Z4	476,00
NF	RWIT 5BC6 NF Z4	476,00
HH	RWIT 5BC6 HH Z4	586,00
CZ	RWIT 5BC6 CZ Z4	586,00
UZ	RWIT 5BC6 UZ Z4	586,00
DD	RWIT 5BC6 DD Z4	752,00
DZ	RWIT 5BC6 DZ Z4	752,00
SZ	RWIT 5BC6 SZ Z4	752,00

RWIT 51A5 ZZ 01 138,00
 + PARTI INCASSO - CONCEALED BODY
 CORPS À ENCASTRER - UNTERPUTZTEIL



Miscelatore monocomando lavabo incasso 225
 Concealed washbasin mixer 225
 Mitigeur lavabo à encastrer 225
 UP-Einhand-Waschtischmischer 225

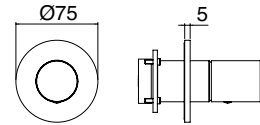


T30



CC	RWIT 5BC8 CC 01	186,00
NN	RWIT 5BC8 NN 01	264,00
BB	RWIT 5BC8 BB 01	264,00
NL	RWIT 5BC8 NL 01	260,00
NF	RWIT 5BC8 NF 01	260,00
HH	RWIT 5BC8 HH 01	320,00
CZ	RWIT 5BC8 CZ 01	320,00
UZ	RWIT 5BC8 UZ 01	320,00
DD	RWIT 5BC8 DD 01	410,00
DZ	RWIT 5BC8 DZ 01	410,00
SZ	RWIT 5BC8 SZ 01	410,00

RWIT 51A8 ZZ 03 128,00
 + PARTI INCASSO - CONCEALED BODY
 CORPS À ENCASTRER - UNTERPUTZTEIL

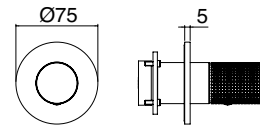


Monocomando remoto lavabo/doccia incasso
 Concealed washbasin/shower mixer
 Mitigeur lavabo/douche à encastrer
 UP-Waschtisch/Dusche Mischer



CC	RWIT 5BC8 CC Z4	206,00
NN	RWIT 5BC8 NN Z4	293,00
BB	RWIT 5BC8 BB Z4	293,00
NL	RWIT 5BC8 NL Z4	289,00
NF	RWIT 5BC8 NF Z4	289,00
HH	RWIT 5BC8 HH Z4	355,00
CZ	RWIT 5BC8 CZ Z4	355,00
UZ	RWIT 5BC8 UZ Z4	355,00
DD	RWIT 5BC8 DD Z4	456,00
DZ	RWIT 5BC8 DZ Z4	456,00
SZ	RWIT 5BC8 SZ Z4	456,00

RWIT 51A8 ZZ 03 128,00
 + PARTI INCASSO - CONCEALED BODY
 CORPS À ENCASTRER - UNTERPUTZTEIL

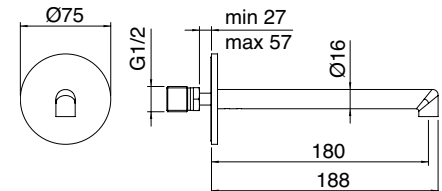


Monocomando remoto lavabo/doccia incasso
 Concealed washbasin/shower mixer
 Mitigeur lavabo/douche à encastrer
 UP-Waschtisch/Dusche Mischer



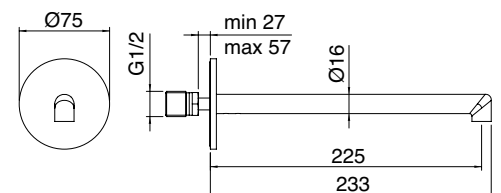
CC	IT 5B63 CC ZZ ZZ	151,00
NN	IT 5B63 NN ZZ ZZ	201,00
BB	IT 5B63 BB ZZ ZZ	201,00
NL	IT 5B63 NL ZZ ZZ	196,00
NF	IT 5B63 NF ZZ ZZ	196,00
HH	IT 5B63 HH ZZ ZZ	232,00
CZ	IT 5B63 CZ ZZ ZZ	232,00
UZ	IT 5B63 UZ ZZ ZZ	232,00
DD	IT 5B63 DD ZZ ZZ	314,00
DZ	IT 5B63 DZ ZZ ZZ	314,00
SZ	IT 5B63 SZ ZZ ZZ	314,00

Bocca a muro 180
 Wall-mtd. spout 180
 Bec mural 180
 Wandauslauf 180



CC	IT 5B61 CC ZZ ZZ	159,00
NN	IT 5B61 NN ZZ ZZ	212,00
BB	IT 5B61 BB ZZ ZZ	212,00
NL	IT 5B61 NL ZZ ZZ	208,00
NF	IT 5B61 NF ZZ ZZ	208,00
HH	IT 5B61 HH ZZ ZZ	246,00
CZ	IT 5B61 CZ ZZ ZZ	246,00
UZ	IT 5B61 UZ ZZ ZZ	246,00
DD	IT 5B61 DD ZZ ZZ	331,00
DZ	IT 5B61 DZ ZZ ZZ	331,00
SZ	IT 5B61 SZ ZZ ZZ	331,00

Bocca a muro 225
 Wall-mtd. spout 225
 Bec mural 225
 Wandauslauf 225



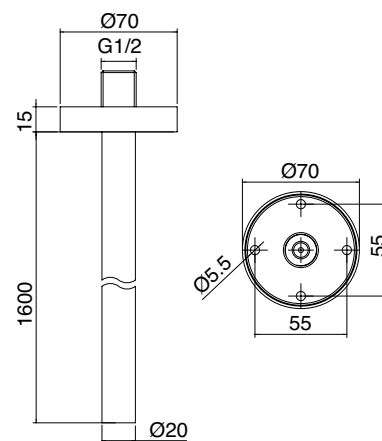


CC	IT 6576 CC ZZ ZZ	163,00
NN	IT 6576 NN ZZ ZZ	209,00
BB	IT 6576 BB ZZ ZZ	209,00
NL	IT 6576 NL ZZ ZZ	217,00
NF	IT 6576 NF ZZ ZZ	217,00
HH	IT 6576 HH ZZ ZZ	252,00
CZ	IT 6576 CZ ZZ ZZ	252,00
UZ	IT 6576 UZ ZZ ZZ	252,00
DD	IT 6576 DD ZZ ZZ	326,00
DZ	IT 6576 DZ ZZ ZZ	339,00
SZ	IT 6576 SZ ZZ ZZ	339,00

Bocca a soffitto con rosone
Ceiling spout
Bec au plafond
Deckenauslauf



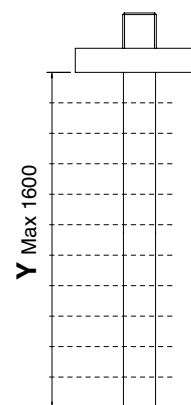
ITRTAE137ZZ ITRTAT105ZZ 5l/min



CC	IT 6576 CC ZZ YY	248,00
NN	IT 6576 NN ZZ YY	330,00
BB	IT 6576 BB ZZ YY	330,00
NL	IT 6576 NL ZZ YY	323,00
NF	IT 6576 NF ZZ YY	323,00
HH	IT 6576 HH ZZ YY	382,00
CZ	IT 6576 CZ ZZ YY	382,00
UZ	IT 6576 UZ ZZ YY	382,00
DD	IT 6576 DD ZZ YY	515,00
DZ	IT 6576 DZ ZZ YY	515,00
SZ	IT 6576 SZ ZZ YY	515,00

"DIMENSIONI SU MISURA"
"CUSTOMIZED SIZE"
"DIMENSIONS SUR MESURE"
"LÄNGE NACH MASS"

Y: Altezza - Height - Hauteur - Länge
= ___ cm

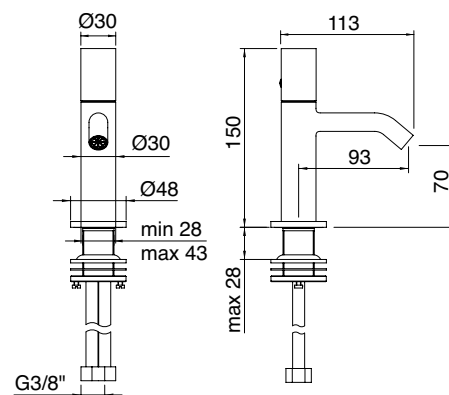


CC	IT 5B22 CC ZT ZZ	217,00
NN	IT 5B22 NN ZT ZZ	289,00
BB	IT 5B22 BB ZT ZZ	289,00
NL	IT 5B22 NL ZT ZZ	282,00
NF	IT 5B22 NF ZT ZZ	282,00
HH	IT 5B22 HH ZT ZZ	334,00
CZ	IT 5B22 CZ ZT ZZ	334,00
UZ	IT 5B22 UZ ZT ZZ	334,00
DD	IT 5B22 DD ZT ZZ	451,00
DZ	IT 5B22 DZ ZT ZZ	451,00
SZ	IT 5B22 SZ ZT ZZ	451,00

Miscelatore monocomando bidet
Bidet mixer
Mitigeur bidet
Einhand-Bidetmischer



ITRTV1267ZZ ITRTAE182ZZ ITRTAT136ZZ 5l/min

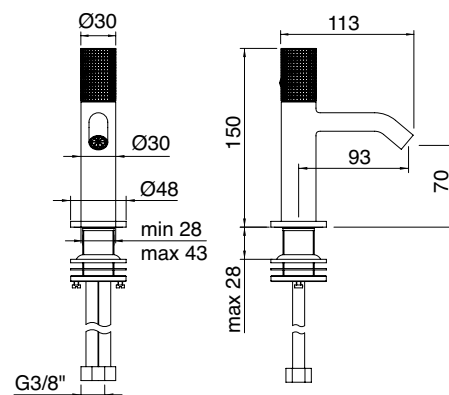


CC	IT 5B22 CC Z4 ZZ	243,00
NN	IT 5B22 NN Z4 ZZ	323,00
BB	IT 5B22 BB Z4 ZZ	323,00
NL	IT 5B22 NL Z4 ZZ	316,00
NF	IT 5B22 NF Z4 ZZ	316,00
HH	IT 5B22 HH Z4 ZZ	373,00
CZ	IT 5B22 CZ Z4 ZZ	373,00
UZ	IT 5B22 UZ Z4 ZZ	373,00
DD	IT 5B22 DD Z4 ZZ	504,00
DZ	IT 5B22 DZ Z4 ZZ	504,00
SZ	IT 5B22 SZ Z4 ZZ	504,00

Miscelatore monocomando bidet
Bidet mixer
Mitigeur bidet
Einhand-Bidetmischer



ITRTV1267ZZ ITRTAE182ZZ ITRTAT136ZZ 5l/min



WATT

W-70S

Q30

T30



BB
matt white



NN
matt black



CC
chrome

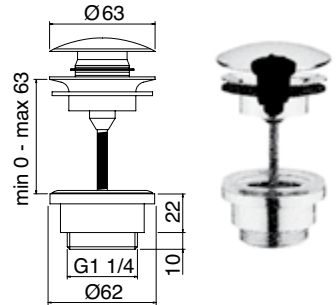
NF
brushed nickel

CZ
brushed black chrome



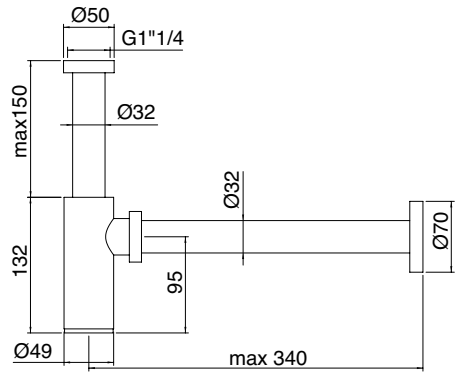
CC	IT RTSA 117 CC	28,00
NN	IT RTSA 117 NN	38,00
BB	IT RTSA 117 BB	38,00
NL	IT RTSA 117 NL	39,00
NF	IT RTSA 117 NF	39,00
HH	IT RTSA 117 HH	45,00
CZ	IT RTSA 117 CZ	45,00
UZ	IT RTSA 117 UZ	45,00
DD	IT RTSA 117 DD	54,00
DZ	IT RTSA 117 DZ	59,00
SZ	IT RTSA 117 SZ	59,00

Scarico click-clack universale con inserto per sempre aperto
 Universal up/down pop-up waste with adaptor for continuous water flow
 Bonde click-clack universelle avec option écoulement libre
 Universal-Abflussgarnitur Click-Clack mit Verschlussperre



CC	IT 0405 CC ZZ ZZ	88,00
NN	IT 0405 NN ZZ ZZ	177,00
BB	IT 0405 BB ZZ ZZ	177,00
NL	IT 0405 NL ZZ ZZ	167,00
NF	IT 0405 NF ZZ ZZ	167,00
HH	IT 0405 HH ZZ ZZ	136,00
CZ	IT 0405 CZ ZZ ZZ	136,00
UZ	IT 0405 UZ ZZ ZZ	136,00
DD	IT 0405 DD ZZ ZZ	201,00
DZ	IT 0405 DZ ZZ ZZ	184,00
SZ	IT 0405 SZ ZZ ZZ	184,00

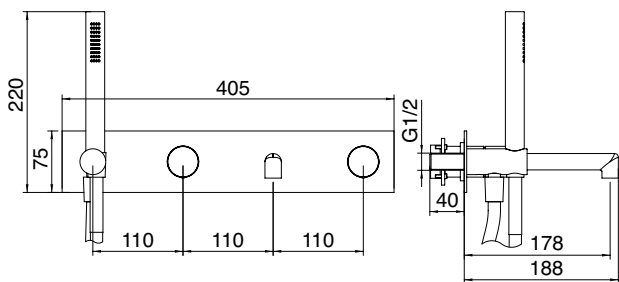
Sifone a vista
 Drain-trap
 Siphon
 Siphon für Waschtisch



CC	RWIT 5BD7 CC 01	560,00
NN	RWIT 5BD7 NN 01	796,00
BB	RWIT 5BD7 BB 01	796,00
NL	RWIT 5BD7 NL 01	784,00
NF	RWIT 5BD7 NF 01	784,00
HH	RWIT 5BD7 HH 01	963,00
CZ	RWIT 5BD7 CZ 01	963,00
UZ	RWIT 5BD7 UZ 01	963,00
DD	RWIT 5BD7 DD 01	1.238,00
DZ	RWIT 5BD7 DZ 01	1.238,00
SZ	RWIT 5BD7 SZ 01	1.238,00

Miscelatore monocomando vasca/doccia incasso
 Concealed bath/shower mixer
 Mitigeur bain/douche à encastrer
 Wanne / Brause EHM UP

RWIT 51D7 ZZ 12 305,00
 + PARTI INCASSO - CONCEALED BODY
 CORPS À ENCASTRER - UNTERPUTZTEIL



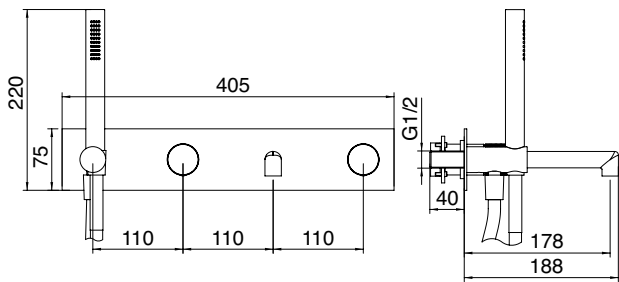
ITRTVT254ZZ ITRTAE187ZZ ITRTAT105ZZ 1,5 cm RWITS1ASZ280 02 3 cm RWITS1ASZ285 02 5 cm RWITS1ASZ290 02 FLEX 1,5 M PVC METAL ≧ 22 l/min ≦ 8 l/min QR N° 51 RWIT51D7ZZ50



CC	RWIT 5BD7 CC Z4	602,00
NN	RWIT 5BD7 NN Z4	855,00
BB	RWIT 5BD7 BB Z4	855,00
NL	RWIT 5BD7 NL Z4	843,00
NF	RWIT 5BD7 NF Z4	843,00
HH	RWIT 5BD7 HH Z4	1.036,00
CZ	RWIT 5BD7 CZ Z4	1.036,00
UZ	RWIT 5BD7 UZ Z4	1.036,00
DD	RWIT 5BD7 DD Z4	1.330,00
DZ	RWIT 5BD7 DZ Z4	1.330,00
SZ	RWIT 5BD7 SZ Z4	1.330,00

Miscelatore monocomando vasca/doccia incasso
 Concealed bath/shower mixer
 Mitigeur bain/douche à encastrer
 Wanne / Brause EHM UP

RWIT 51D7 ZZ 12 305,00
 + PARTI INCASSO - CONCEALED BODY
 CORPS À ENCASTRER - UNTERPUTZTEIL



ITRTVT254ZZ ITRTAE187ZZ ITRTAT105ZZ 1,5 cm RWITS1ASZ280 02 3 cm RWITS1ASZ285 02 5 cm RWITS1ASZ290 02 FLEX 1,5 M PVC METAL ≧ 22 l/min ≦ 8 l/min QR N° 51 RWIT51D7ZZ50

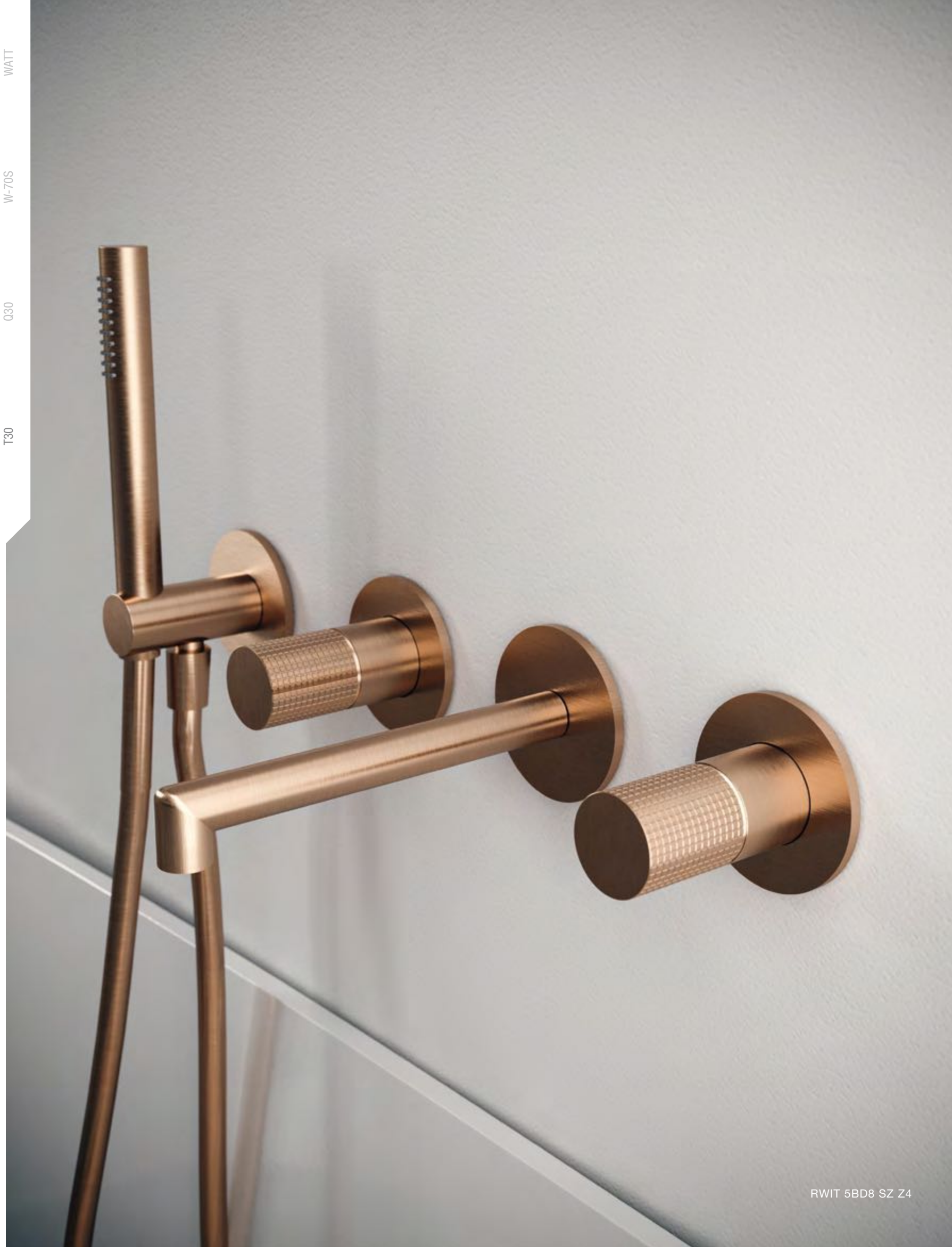


WATT

W-70S

Q30

T30





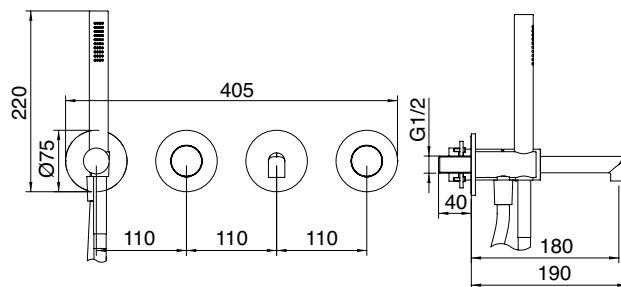
CC	RWIT 5BD8 CC 01	586,00
NN	RWIT 5BD8 NN 01	832,00
BB	RWIT 5BD8 BB 01	832,00
NL	RWIT 5BD8 NL 01	820,00
NF	RWIT 5BD8 NF 01	820,00
HH	RWIT 5BD8 HH 01	1.007,00
CZ	RWIT 5BD8 CZ 01	1.007,00
UZ	RWIT 5BD8 UZ 01	1.007,00
DD	RWIT 5BD8 DD 01	1.294,00
DZ	RWIT 5BD8 DZ 01	1.294,00
SZ	RWIT 5BD8 SZ 01	1.294,00

Miscelatore monocomando vasca/doccia incasso
 Concealed bath/shower mixer
 Mitigeur bain/douche à encastrer
 Wanne / Brause EHM UP

RWIT 51D7 ZZ 12 305,00
 + PARTI INCASSO - CONCEALED BODY
 CORPS À ENCASTRER - UNTERPUTZTEIL



P_791



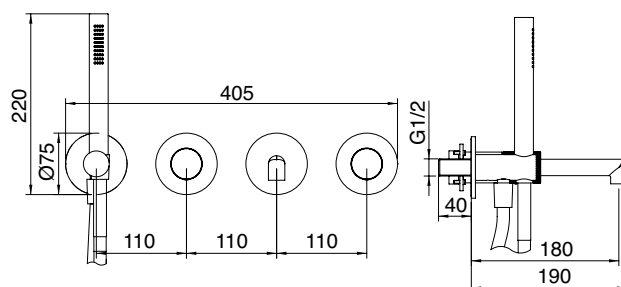
CC	RWIT 5BD8 CC Z4	628,00
NN	RWIT 5BD8 NN Z4	891,00
BB	RWIT 5BD8 BB Z4	891,00
NL	RWIT 5BD8 NL Z4	879,00
NF	RWIT 5BD8 NF Z4	879,00
HH	RWIT 5BD8 HH Z4	1.080,00
CZ	RWIT 5BD8 CZ Z4	1.080,00
UZ	RWIT 5BD8 UZ Z4	1.080,00
DD	RWIT 5BD8 DD Z4	1.387,00
DZ	RWIT 5BD8 DZ Z4	1.387,00
SZ	RWIT 5BD8 SZ Z4	1.387,00

Miscelatore monocomando vasca/doccia incasso
 Concealed bath/shower mixer
 Mitigeur bain/douche à encastrer
 Wanne / Brause EHM UP

RWIT 51D7 ZZ 12 305,00
 + PARTI INCASSO - CONCEALED BODY
 CORPS À ENCASTRER - UNTERPUTZTEIL



P_791



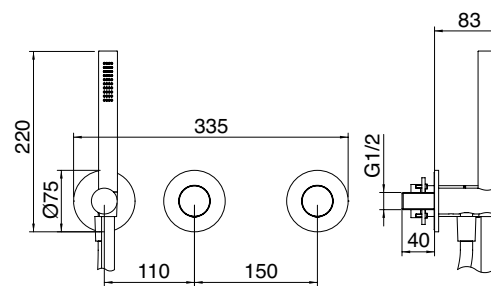
CC	RWIT 5BD9 CC 01	489,00
NN	RWIT 5BD9 NN 01	695,00
BB	RWIT 5BD9 BB 01	695,00
NL	RWIT 5BD9 NL 01	684,00
NF	RWIT 5BD9 NF 01	684,00
HH	RWIT 5BD9 HH 01	841,00
CZ	RWIT 5BD9 CZ 01	841,00
UZ	RWIT 5BD9 UZ 01	841,00
DD	RWIT 5BD9 DD 01	1.080,00
DZ	RWIT 5BD9 DZ 01	1.080,00
SZ	RWIT 5BD9 SZ 01	1.080,00

Miscelatore monocomando vasca/doccia incasso
 Concealed bath/shower mixer
 Mitigeur bain/douche à encastrer
 Wanne / Brause EHM UP

RWIT 51D9 ZZ 01 293,00
 + PARTI INCASSO - CONCEALED BODY
 CORPS À ENCASTRER - UNTERPUTZTEIL



P_791



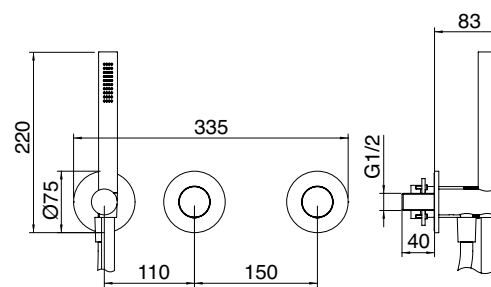
CC	RWIT 5BD9 CC Z4	533,00
NN	RWIT 5BD9 NN Z4	758,00
BB	RWIT 5BD9 BB Z4	758,00
NL	RWIT 5BD9 NL Z4	746,00
NF	RWIT 5BD9 NF Z4	746,00
HH	RWIT 5BD9 HH Z4	917,00
CZ	RWIT 5BD9 CZ Z4	917,00
UZ	RWIT 5BD9 UZ Z4	917,00
DD	RWIT 5BD9 DD Z4	1.178,00
DZ	RWIT 5BD9 DZ Z4	1.178,00
SZ	RWIT 5BD9 SZ Z4	1.178,00

Miscelatore monocomando vasca/doccia incasso
 Concealed bath/shower mixer
 Mitigeur bain/douche à encastrer
 Wanne / Brause EHM UP

RWIT 51D9 ZZ 01 293,00
 + PARTI INCASSO - CONCEALED BODY
 CORPS À ENCASTRER - UNTERPUTZTEIL



P_791

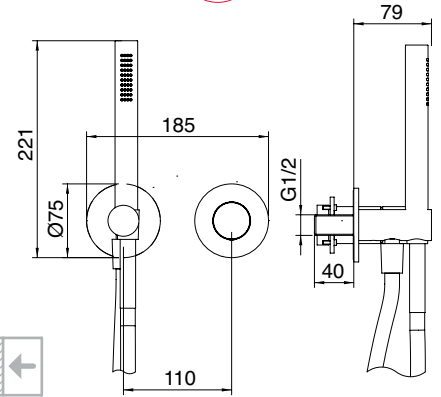




CC	RWIT 5BD4 CC 01	303,00
NN	RWIT 5BD4 NN 01	431,00
BB	RWIT 5BD4 BB 01	431,00
NL	RWIT 5BD4 NL 01	425,00
NF	RWIT 5BD4 NF 01	425,00
HH	RWIT 5BD4 HH 01	522,00
CZ	RWIT 5BD4 CZ 01	522,00
UZ	RWIT 5BD4 UZ 01	522,00
DD	RWIT 5BD4 DD 01	670,00
DZ	RWIT 5BD4 DZ 01	670,00
SZ	RWIT 5BD4 SZ 01	670,00

RWIT 51A5 ZZ 01 138,00

+ PARTI INCASSO - CONCEALED BODY
CORPS À ENCASTRER - UNTERPUTZTEIL



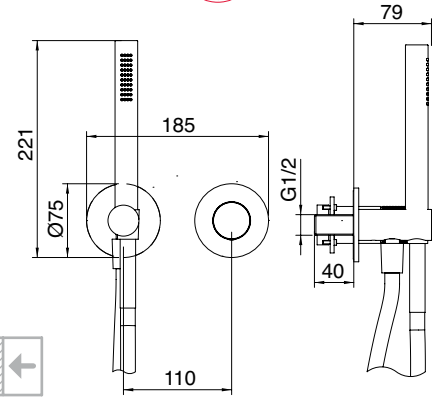
Miscelatore monocomando incasso doccia con doccetta
Concealed shower mixer with hand-shower
Mitigeur douche à encastrer avec douchette
Brause EHM UP mit Handbrause



CC	RWIT 5BD4 CC Z4	327,00
NN	RWIT 5BD4 NN Z4	465,00
BB	RWIT 5BD4 BB Z4	465,00
NL	RWIT 5BD4 NL Z4	458,00
NF	RWIT 5BD4 NF Z4	458,00
HH	RWIT 5BD4 HH Z4	563,00
CZ	RWIT 5BD4 CZ Z4	563,00
UZ	RWIT 5BD4 UZ Z4	563,00
DD	RWIT 5BD4 DD Z4	723,00
DZ	RWIT 5BD4 DZ Z4	723,00
SZ	RWIT 5BD4 SZ Z4	723,00

RWIT 51A5 ZZ 01 138,00

+ PARTI INCASSO - CONCEALED BODY
CORPS À ENCASTRER - UNTERPUTZTEIL



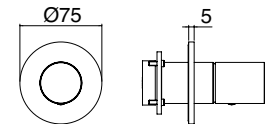
Miscelatore monocomando incasso doccia con doccetta
Concealed shower mixer with hand-shower
Mitigeur douche à encastrer avec douchette
Brause EHM UP mit Handbrause



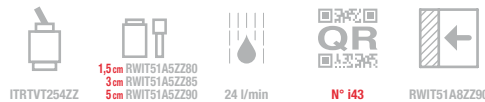
CC	RWIT 5BC8 CC 01	186,00
NN	RWIT 5BC8 NN 01	264,00
BB	RWIT 5BC8 BB 01	264,00
NL	RWIT 5BC8 NL 01	260,00
NF	RWIT 5BC8 NF 01	260,00
HH	RWIT 5BC8 HH 01	320,00
CZ	RWIT 5BC8 CZ 01	320,00
UZ	RWIT 5BC8 UZ 01	320,00
DD	RWIT 5BC8 DD 01	410,00
DZ	RWIT 5BC8 DZ 01	410,00
SZ	RWIT 5BC8 SZ 01	410,00

RWIT 51A8 ZZ 03 128,00

+ PARTI INCASSO - CONCEALED BODY
CORPS À ENCASTRER - UNTERPUTZTEIL



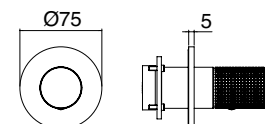
Monocomando remoto lavabo/doccia incasso
Concealed washbasin/shower mixer
Mitigeur lavabo/douche à encastrer
UP-Waschtisch/Dusche Mischer



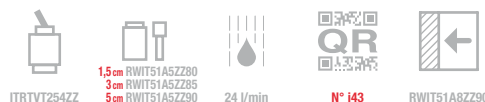
CC	RWIT 5BC8 CC Z4	206,00
NN	RWIT 5BC8 NN Z4	293,00
BB	RWIT 5BC8 BB Z4	293,00
NL	RWIT 5BC8 NL Z4	289,00
NF	RWIT 5BC8 NF Z4	289,00
HH	RWIT 5BC8 HH Z4	355,00
CZ	RWIT 5BC8 CZ Z4	355,00
UZ	RWIT 5BC8 UZ Z4	355,00
DD	RWIT 5BC8 DD Z4	456,00
DZ	RWIT 5BC8 DZ Z4	456,00
SZ	RWIT 5BC8 SZ Z4	456,00

RWIT 51A8 ZZ 03 128,00

+ PARTI INCASSO - CONCEALED BODY
CORPS À ENCASTRER - UNTERPUTZTEIL



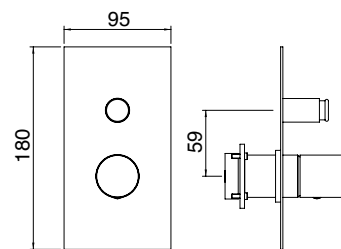
Monocomando remoto lavabo/doccia incasso
Concealed washbasin/shower mixer
Mitigeur lavabo/douche à encastrer
UP-Waschtisch/Dusche Mischer





CC	RWIT 5BB1 CC 01	162,00
NN	RWIT 5BB1 NN 01	230,00
BB	RWIT 5BB1 BB 01	230,00
NL	RWIT 5BB1 NL 01	227,00
NF	RWIT 5BB1 NF 01	227,00
HH	RWIT 5BB1 HH 01	280,00
CZ	RWIT 5BB1 CZ 01	280,00
UZ	RWIT 5BB1 UZ 01	280,00
DD	RWIT 5BB1 DD 01	358,00
DZ	RWIT 5BB1 DZ 01	358,00
SZ	RWIT 5BB1 SZ 01	358,00

RWIT 51B1 ZZ 03 160,00
 + PARTI INCASSO - CONCEALED BODY
 CORPS À ENCASTRER - UNTERPUTZTEIL

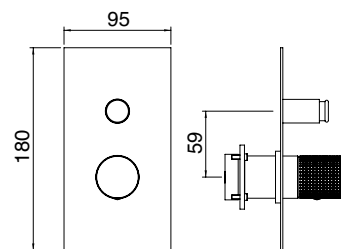


Miscelatore monocomando vasca/doccia incasso
 Concealed bath/shower mixer with diverter
 Mitigeur bain/douche à encastrer avec inverseur
 UP Wanne/Brause Einhebelmischer

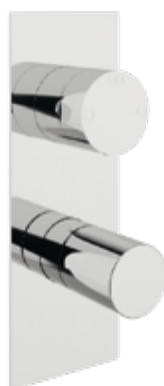


CC	RWIT 5BB1 CC Z4	186,00
NN	RWIT 5BB1 NN Z4	264,00
BB	RWIT 5BB1 BB Z4	264,00
NL	RWIT 5BB1 NL Z4	260,00
NF	RWIT 5BB1 NF Z4	260,00
HH	RWIT 5BB1 HH Z4	320,00
CZ	RWIT 5BB1 CZ Z4	320,00
UZ	RWIT 5BB1 UZ Z4	320,00
DD	RWIT 5BB1 DD Z4	410,00
DZ	RWIT 5BB1 DZ Z4	410,00
SZ	RWIT 5BB1 SZ Z4	410,00

RWIT 51B1 ZZ 03 160,00
 + PARTI INCASSO - CONCEALED BODY
 CORPS À ENCASTRER - UNTERPUTZTEIL

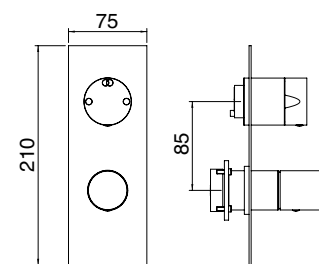


Miscelatore monocomando vasca/doccia incasso
 Concealed bath/shower mixer with diverter
 Mitigeur bain/douche à encastrer avec inverseur
 UP Wanne/Brause Einhebelmischer

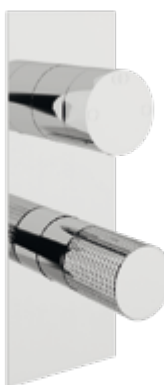
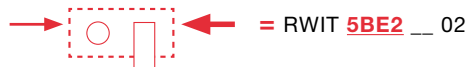
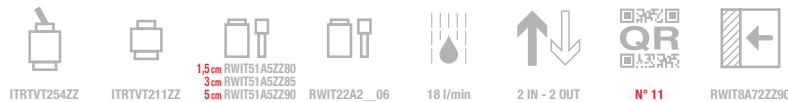


CC	RWIT 5BA2 CC 02	289,00
NN	RWIT 5BA2 NN 02	410,00
BB	RWIT 5BA2 BB 02	410,00
NL	RWIT 5BA2 NL 02	404,00
NF	RWIT 5BA2 NF 02	404,00
HH	RWIT 5BA2 HH 02	497,00
CZ	RWIT 5BA2 CZ 02	497,00
UZ	RWIT 5BA2 UZ 02	497,00
DD	RWIT 5BA2 DD 02	638,00
DZ	RWIT 5BA2 DZ 02	638,00
SZ	RWIT 5BA2 SZ 02	638,00

RWIT 22A2 ZZ 01 237,00
 + PARTI INCASSO - CONCEALED BODY
 CORPS À ENCASTRER - UNTERPUTZTEIL

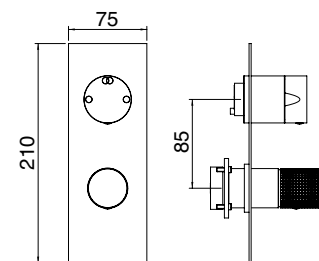


Miscelatore monocomando con deviatore 2 uscite
 Concealed mixer with 2 ways diverter
 Mitigeur à encastrer avec inverseur à 2 sorties
 EHM UP mit 2 Wege Umsteller

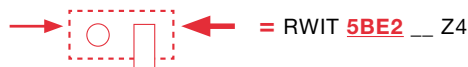


CC	RWIT 5BA2 CC Z4	313,00
NN	RWIT 5BA2 NN Z4	444,00
BB	RWIT 5BA2 BB Z4	444,00
NL	RWIT 5BA2 NL Z4	438,00
NF	RWIT 5BA2 NF Z4	438,00
HH	RWIT 5BA2 HH Z4	538,00
CZ	RWIT 5BA2 CZ Z4	538,00
UZ	RWIT 5BA2 UZ Z4	538,00
DD	RWIT 5BA2 DD Z4	691,00
DZ	RWIT 5BA2 DZ Z4	691,00
SZ	RWIT 5BA2 SZ Z4	691,00

RWIT 22A2 ZZ 01 237,00
 + PARTI INCASSO - CONCEALED BODY
 CORPS À ENCASTRER - UNTERPUTZTEIL



Miscelatore monocomando con deviatore 2 uscite
 Concealed mixer with 2 ways diverter
 Mitigeur à encastrer avec inverseur à 2 sorties
 EHM UP mit 2 Wege Umsteller



T30



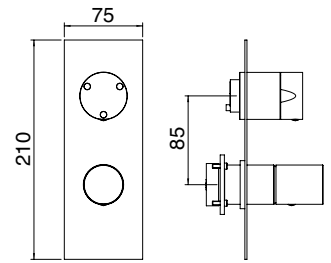
WATT

W-70S

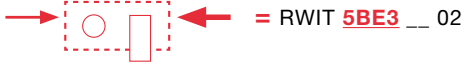
Q30

CC	RWIT 5BA3 CC 02	330,00
NN	RWIT 5BA3 NN 02	469,00
BB	RWIT 5BA3 BB 02	469,00
NL	RWIT 5BA3 NL 02	462,00
NF	RWIT 5BA3 NF 02	462,00
HH	RWIT 5BA3 HH 02	568,00
CZ	RWIT 5BA3 CZ 02	568,00
UZ	RWIT 5BA3 UZ 02	568,00
DD	RWIT 5BA3 DD 02	730,00
DZ	RWIT 5BA3 DZ 02	730,00
SZ	RWIT 5BA3 SZ 02	730,00

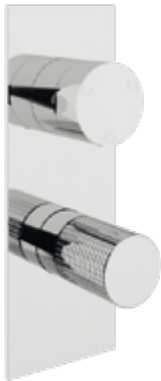
RWIT 22A2 ZZ 01 237,00
+ PARTI INCASSO - CONCEALED BODY
 CORPS À ENCASTRER - UNTERPUTZTEIL



Miscelatore monocomando con deviatore 3 uscite
 Concealed mixer with 3 ways diverter
 Mitigeur à encastrer avec inverseur à 3 sorties
 EHM UP mit 3 Wege Umsteller

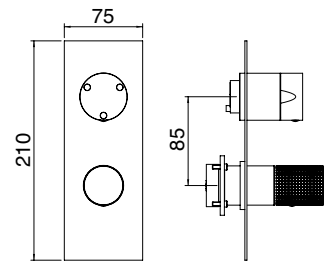


T30



CC	RWIT 5BA3 CC Z4	351,00
NN	RWIT 5BA3 NN Z4	498,00
BB	RWIT 5BA3 BB Z4	498,00
NL	RWIT 5BA3 NL Z4	491,00
NF	RWIT 5BA3 NF Z4	491,00
HH	RWIT 5BA3 HH Z4	603,00
CZ	RWIT 5BA3 CZ Z4	603,00
UZ	RWIT 5BA3 UZ Z4	603,00
DD	RWIT 5BA3 DD Z4	775,00
DZ	RWIT 5BA3 DZ Z4	775,00
SZ	RWIT 5BA3 SZ Z4	775,00

RWIT 22A2 ZZ 01 237,00
+ PARTI INCASSO - CONCEALED BODY
 CORPS À ENCASTRER - UNTERPUTZTEIL

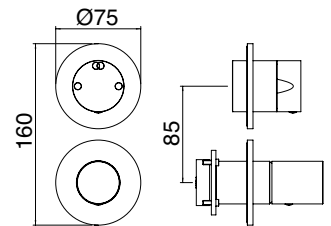


Miscelatore monocomando con deviatore 3 uscite
 Concealed mixer with 3 ways diverter
 Mitigeur à encastrer avec inverseur à 3 sorties
 EHM UP mit 3 Wege Umsteller



CC	RWIT 5BC2 CC 02	325,00
NN	RWIT 5BC2 NN 02	462,00
BB	RWIT 5BC2 BB 02	462,00
NL	RWIT 5BC2 NL 02	455,00
NF	RWIT 5BC2 NF 02	455,00
HH	RWIT 5BC2 HH 02	559,00
CZ	RWIT 5BC2 CZ 02	559,00
UZ	RWIT 5BC2 UZ 02	559,00
DD	RWIT 5BC2 DD 02	718,00
DZ	RWIT 5BC2 DZ 02	718,00
SZ	RWIT 5BC2 SZ 02	718,00

RWIT 22A2 ZZ 01 237,00
+ PARTI INCASSO - CONCEALED BODY
 CORPS À ENCASTRER - UNTERPUTZTEIL

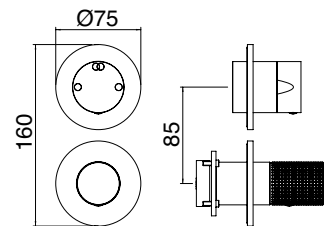


Miscelatore monocomando con deviatore 2 uscite
 Concealed mixer with 2 ways diverter
 Mitigeur à encastrer avec inverseur à 2 sorties
 EHM UP mit 2 Wege Umsteller

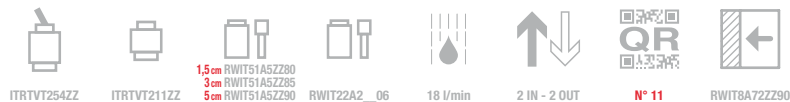


CC	RWIT 5BC2 CC Z4	346,00
NN	RWIT 5BC2 NN Z4	491,00
BB	RWIT 5BC2 BB Z4	491,00
NL	RWIT 5BC2 NL Z4	484,00
NF	RWIT 5BC2 NF Z4	484,00
HH	RWIT 5BC2 HH Z4	595,00
CZ	RWIT 5BC2 CZ Z4	595,00
UZ	RWIT 5BC2 UZ Z4	595,00
DD	RWIT 5BC2 DD Z4	764,00
DZ	RWIT 5BC2 DZ Z4	764,00
SZ	RWIT 5BC2 SZ Z4	764,00

RWIT 22A2 ZZ 01 237,00
+ PARTI INCASSO - CONCEALED BODY
 CORPS À ENCASTRER - UNTERPUTZTEIL



Miscelatore monocomando con deviatore 2 uscite
 Concealed mixer with 2 ways diverter
 Mitigeur à encastrer avec inverseur à 2 sorties
 EHM UP mit 2 Wege Umsteller



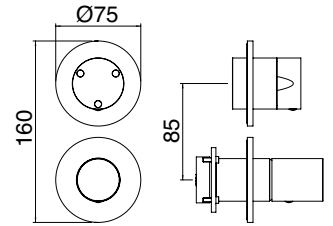


T30

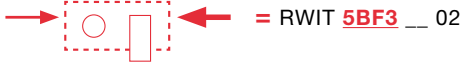


CC	RWIT 5BC3 CC 02	337,00
NN	RWIT 5BC3 NN 02	479,00
BB	RWIT 5BC3 BB 02	479,00
NL	RWIT 5BC3 NL 02	472,00
NF	RWIT 5BC3 NF 02	472,00
HH	RWIT 5BC3 HH 02	580,00
CZ	RWIT 5BC3 CZ 02	580,00
UZ	RWIT 5BC3 UZ 02	580,00
DD	RWIT 5BC3 DD 02	745,00
DZ	RWIT 5BC3 DZ 02	745,00
SZ	RWIT 5BC3 SZ 02	745,00

RWIT 22A2 ZZ 01 237,00
 + PARTI INCASSO - CONCEALED BODY
 CORPS À ENCASTRER - UNTERPUTZTEIL

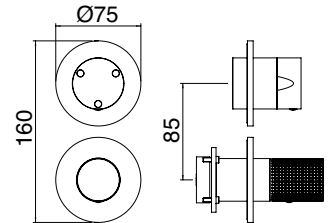


Miscelatore monocomando con deviatore 3 uscite
 Concealed mixer with 3 ways diverter
 Mitigeur à encastrer avec inverseur à 3 sorties
 EHM UP mit 3 Wege Umsteller

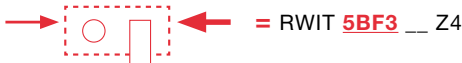


CC	RWIT 5BC3 CC Z4	358,00
NN	RWIT 5BC3 NN Z4	508,00
BB	RWIT 5BC3 BB Z4	508,00
NL	RWIT 5BC3 NL Z4	501,00
NF	RWIT 5BC3 NF Z4	501,00
HH	RWIT 5BC3 HH Z4	615,00
CZ	RWIT 5BC3 CZ Z4	615,00
UZ	RWIT 5BC3 UZ Z4	615,00
DD	RWIT 5BC3 DD Z4	791,00
DZ	RWIT 5BC3 DZ Z4	791,00
SZ	RWIT 5BC3 SZ Z4	791,00

RWIT 22A2 ZZ 01 237,00
 + PARTI INCASSO - CONCEALED BODY
 CORPS À ENCASTRER - UNTERPUTZTEIL

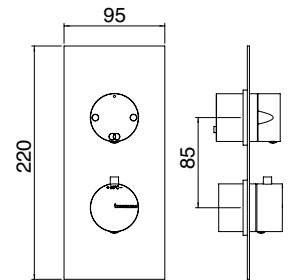


Miscelatore monocomando con deviatore 3 uscite
 Concealed mixer with 3 ways diverter
 Mitigeur à encastrer avec inverseur à 3 sorties
 EHM UP mit 3 Wege Umsteller



CC	RWIT 8A46 CC 03	230,00
NN	RWIT 8A46 NN 03	327,00
BB	RWIT 8A46 BB 03	327,00
NL	RWIT 8A46 NL 03	323,00
NF	RWIT 8A46 NF 03	323,00
HH	RWIT 8A46 HH 03	396,00
CZ	RWIT 8A46 CZ 03	396,00
UZ	RWIT 8A46 UZ 03	396,00
DD	RWIT 8A46 DD 03	508,00
DZ	RWIT 8A46 DZ 03	508,00
SZ	RWIT 8A46 SZ 03	508,00

RWIT 8A46 ZZ 20 309,00
 + PARTI INCASSO - CONCEALED BODY
 CORPS À ENCASTRER - UNTERPUTZTEIL

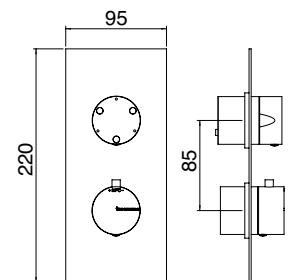


Termostatico incasso con deviatore 2 uscite
 Concealed thermostatic with 2 ways diverter
 Thermostatique à encastrer avec inverseur à 2 sorties
 UP-Thermostat 2 Wege Umsteller



CC	RWIT 8A72 CC 03	277,00
NN	RWIT 8A72 NN 03	393,00
BB	RWIT 8A72 BB 03	393,00
NL	RWIT 8A72 NL 03	388,00
NF	RWIT 8A72 NF 03	388,00
HH	RWIT 8A72 HH 03	475,00
CZ	RWIT 8A72 CZ 03	475,00
UZ	RWIT 8A72 UZ 03	475,00
DD	RWIT 8A72 DD 03	611,00
DZ	RWIT 8A72 DZ 03	611,00
SZ	RWIT 8A72 SZ 03	611,00

RWIT 8A46 ZZ 20 309,00
 + PARTI INCASSO - CONCEALED BODY
 CORPS À ENCASTRER - UNTERPUTZTEIL



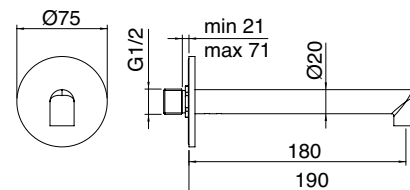
Termostatico incasso con deviatore 3 uscite
 Concealed thermostatic with 3 ways diverter
 Thermostatique à encastrer avec inverseur à 3 sorties
 UP-Thermostat 3 Wege Umsteller





CC	IT 5B63 CC ZZ HF	151,00
NN	IT 5B63 NN ZZ HF	201,00
BB	IT 5B63 BB ZZ HF	201,00
NL	IT 5B63 NL ZZ HF	196,00
NF	IT 5B63 NF ZZ HF	196,00
HH	IT 5B63 HH ZZ HF	232,00
CZ	IT 5B63 CZ ZZ HF	232,00
UZ	IT 5B63 UZ ZZ HF	232,00
DD	IT 5B63 DD ZZ HF	314,00
DZ	IT 5B63 DZ ZZ HF	314,00
SZ	IT 5B63 SZ ZZ HF	314,00

Bocca a muro per vasca 180
 Wall-mtd. spout for bathtub 180
 Bec mural pour baignoire 180
 Wandauslauf für Badewannen 180

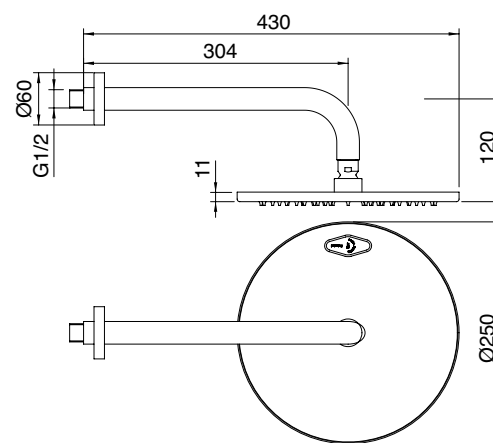


ITRTAE187ZZ ITRTAT105ZZ 22 l/min



CC	IT 6586 CC ZZ VS	311,00
NN	IT 6586 NN ZZ VS	414,00
BB	IT 6586 BB ZZ VS	414,00
NL	IT 6586 NL ZZ VS	404,00
NF	IT 6586 NF ZZ VS	404,00
HH	IT 6586 HH ZZ VS	478,00
CZ	IT 6586 CZ ZZ VS	478,00
UZ	IT 6586 UZ ZZ VS	478,00
DD	IT 6586 DD ZZ VS	646,00
DZ	IT 6586 DZ ZZ VS	646,00
SZ	IT 6586 SZ ZZ VS	646,00

Soffione a parete anticalcare
 Anti-limescale shower-head
 Douche de tête anticalcaire avec bras mural
 Antikalk Kopfbrause mit Arm

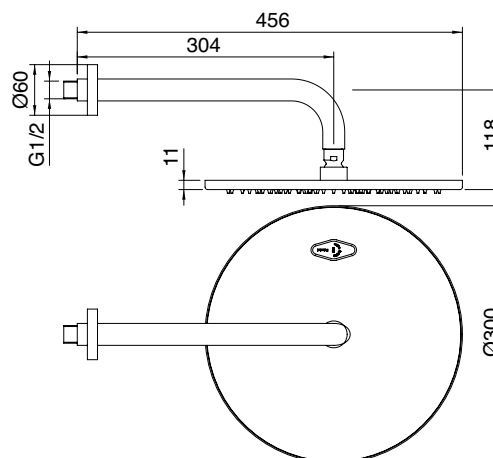


METAL 250 mm 9 l/min 1/2 M



CC	IT 6512 CC ZZ VS	353,00
NN	IT 6512 NN ZZ VS	470,00
BB	IT 6512 BB ZZ VS	470,00
NL	IT 6512 NL ZZ VS	459,00
NF	IT 6512 NF ZZ VS	459,00
HH	IT 6512 HH ZZ VS	544,00
CZ	IT 6512 CZ ZZ VS	544,00
UZ	IT 6512 UZ ZZ VS	544,00
DD	IT 6512 DD ZZ VS	734,00
DZ	IT 6512 DZ ZZ VS	734,00
SZ	IT 6512 SZ ZZ VS	734,00

Soffione a parete anticalcare
 Anti-limescale shower-head
 Douche de tête anticalcaire avec bras mural
 Antikalk Kopfbrause mit Arm



METAL 300 mm 9 l/min 1/2 M

T30

Q30

W-70S

WATT

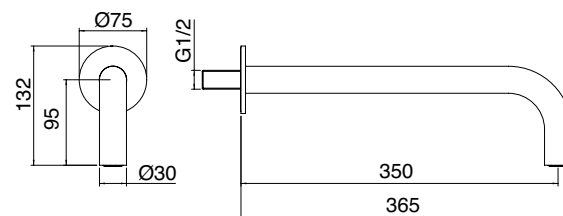


RWIT 5B47 CC 02 + RWIT 5BC2 CC 02 + IT 6529 CC ZZ ZZ + IT RTGA 123 CC



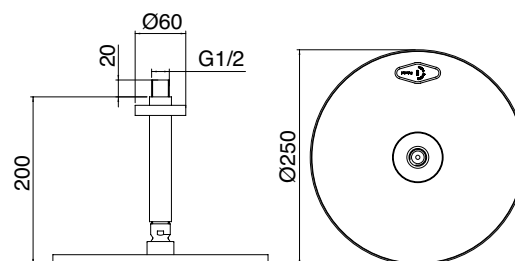
CC	RWIT 5B47 CC 02	186,00
NN	RWIT 5B47 NN 02	264,00
BB	RWIT 5B47 BB 02	264,00
NL	RWIT 5B47 NL 02	260,00
NF	RWIT 5B47 NF 02	260,00
HH	RWIT 5B47 HH 02	320,00
CZ	RWIT 5B47 CZ 02	320,00
UZ	RWIT 5B47 UZ 02	320,00
DD	RWIT 5B47 DD 02	410,00
DZ	RWIT 5B47 DZ 02	410,00
SZ	RWIT 5B47 SZ 02	410,00

Soffione a parete
Wall-mtd. shower-head
Douche de tête mural
Wand Kopfbrause



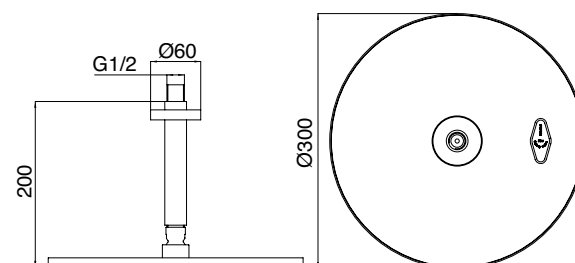
CC	IT 6587 CC ZZ VS	292,00
NN	IT 6587 NN ZZ VS	388,00
BB	IT 6587 BB ZZ VS	388,00
NL	IT 6587 NL ZZ VS	380,00
NF	IT 6587 NF ZZ VS	380,00
HH	IT 6587 HH ZZ VS	449,00
CZ	IT 6587 CZ ZZ VS	449,00
UZ	IT 6587 UZ ZZ VS	449,00
DD	IT 6587 DD ZZ VS	606,00
DZ	IT 6587 DZ ZZ VS	606,00
SZ	IT 6587 SZ ZZ VS	606,00

Soffione a soffitto anticalcare
Ceiling anti-limescale shower-head
Douche de tête anticalcaire avec bras au plafond
Antikalk Regenbrause mit Deckenanbindung



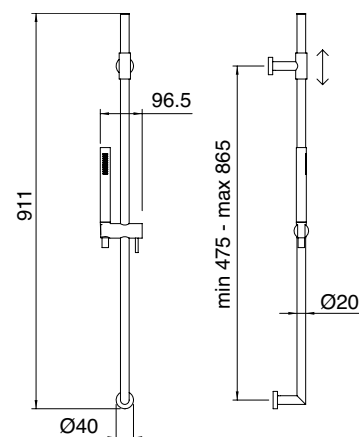
CC	IT 6511 CC ZZ VS	347,00
NN	IT 6511 NN ZZ VS	462,00
BB	IT 6511 BB ZZ VS	462,00
NL	IT 6511 NL ZZ VS	451,00
NF	IT 6511 NF ZZ VS	451,00
HH	IT 6511 HH ZZ VS	535,00
CZ	IT 6511 CZ ZZ VS	535,00
UZ	IT 6511 UZ ZZ VS	535,00
DD	IT 6511 DD ZZ VS	721,00
DZ	IT 6511 DZ ZZ VS	721,00
SZ	IT 6511 SZ ZZ VS	721,00

Soffione a soffitto anticalcare
Ceiling anti-limescale shower-head
Douche de tête anticalcaire avec bras au plafond
Antikalk Regenbrause mit Deckenanbindung



CC	IT 6529 CC ZZ ZZ	223,00
NN	IT 6529 NN ZZ ZZ	319,00
BB	IT 6529 BB ZZ ZZ	319,00
NL	IT 6529 NL ZZ ZZ	315,00
NF	IT 6529 NF ZZ ZZ	315,00
HH	IT 6529 HH ZZ ZZ	343,00
CZ	IT 6529 CZ ZZ ZZ	343,00
UZ	IT 6529 UZ ZZ ZZ	343,00
DD	IT 6529 DD ZZ ZZ	446,00
DZ	IT 6529 DZ ZZ ZZ	463,00
SZ	IT 6529 SZ ZZ ZZ	463,00

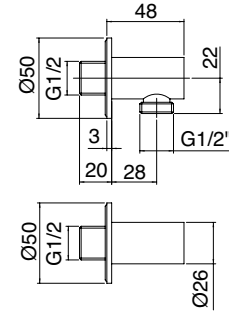
Kit saliscendi senza presa acqua
Sliding-bar kit without wall hose outlet
Barre coulissante sans coude mural
Gleitstange ohne Wandanschlussbogen





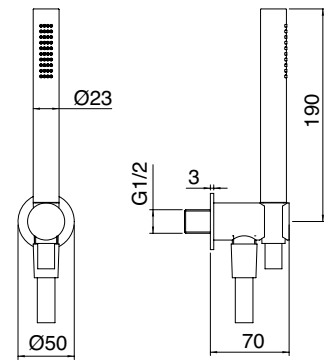
CC	IT RTGA 123 CC	25,00
NN	IT RTGA 123 NN	39,00
BB	IT RTGA 123 BB	39,00
NL	IT RTGA 123 NL	49,00
NF	IT RTGA 123 NF	49,00
HH	IT RTGA 123 HH	27,00
CZ	IT RTGA 123 CZ	27,00
UZ	IT RTGA 123 UZ	27,00
DD	IT RTGA 123 DD	34,00
DZ	IT RTGA 123 DZ	38,00
SZ	IT RTGA 123 SZ	38,00

Presse acqua a muro
Wall hose outlet
Coude mural
Wandanschlussbogen



CC	RWIT 2705 CC 74	123,00
NN	RWIT 2705 NN 74	189,00
BB	RWIT 2705 BB 74	189,00
NL	RWIT 2705 NL 74	184,00
NF	RWIT 2705 NF 74	184,00
HH	RWIT 2705 HH 74	189,00
CZ	RWIT 2705 CZ 74	189,00
UZ	RWIT 2705 UZ 74	189,00
DD	RWIT 2705 DD 74	257,00
DZ	RWIT 2705 DZ 74	255,00
SZ	RWIT 2705 SZ 74	255,00

Kit gancio, flessibile, doccia
Hook, flexible and hand shower kit
Kit support, flexible et douche
Brausehalter, Schlauch und Handbrause



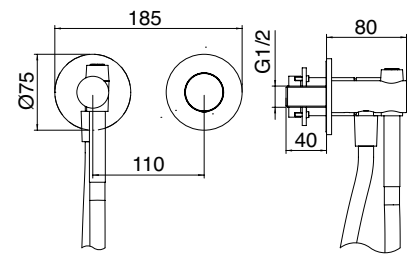
CC	RWIT 5BD4 CC 05	283,00
NN	RWIT 5BD4 NN 05	402,00
BB	RWIT 5BD4 BB 05	402,00
NL	RWIT 5BD4 NL 05	396,00
NF	RWIT 5BD4 NF 05	396,00
HH	RWIT 5BD4 HH 05	487,00
CZ	RWIT 5BD4 CZ 05	487,00
UZ	RWIT 5BD4 UZ 05	487,00
DD	RWIT 5BD4 DD 05	625,00
DZ	RWIT 5BD4 DZ 05	625,00
SZ	RWIT 5BD4 SZ 05	625,00

Miscelatore incasso con doccia per WC
Concealed mixer with wc hand shower
Mitigeur à encastrer avec douche WC
U-P Mischer mit WC Handbrause



RWIT 51A5 ZZ 01 138,00

+ PARTI INCASSO - CONCEALED BODY
CORPS À ENCASTRER - UNTERPUTZTEIL



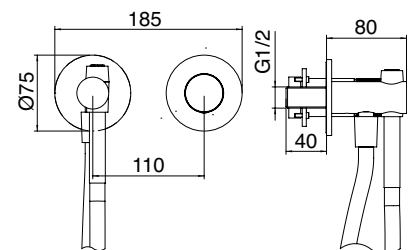
CC	RWIT 5BD4 CC 10	303,00
NN	RWIT 5BD4 NN 10	431,00
BB	RWIT 5BD4 BB 10	431,00
NL	RWIT 5BD4 NL 10	425,00
NF	RWIT 5BD4 NF 10	425,00
HH	RWIT 5BD4 HH 10	522,00
CZ	RWIT 5BD4 CZ 10	522,00
UZ	RWIT 5BD4 UZ 10	522,00
DD	RWIT 5BD4 DD 10	670,00
DZ	RWIT 5BD4 DZ 10	670,00
SZ	RWIT 5BD4 SZ 10	670,00

Miscelatore incasso con doccia per WC
Concealed mixer with wc hand shower
Mitigeur à encastrer avec douche WC
U-P Mischer mit WC Handbrause



RWIT 51A5 ZZ 01 138,00

+ PARTI INCASSO - CONCEALED BODY
CORPS À ENCASTRER - UNTERPUTZTEIL





WATT

W-70S

Q30

T30

RWIT 5B47 BB 02 + RWIT 5BC2 BB 02 + IT 6529 BB ZZ ZZ + IT RTGA 123 BB



CC	RWIT 6565 CC 05	273,00
NN	RWIT 6565 NN 05	364,00
BB	RWIT 6565 BB 05	364,00
NL	RWIT 6565 NL 05	356,00
NF	RWIT 6565 NF 05	356,00
HH	RWIT 6565 HH 05	422,00
CZ	RWIT 6565 CZ 05	422,00
UZ	RWIT 6565 UZ 05	422,00
DD	RWIT 6565 DD 05	569,00
DZ	RWIT 6565 DZ 05	569,00
SZ	RWIT 6565 SZ 05	569,00

Idroscopino per WC
WC hand shower set
Douchette pour WC
Handbrause Set für WC



1 M PVC



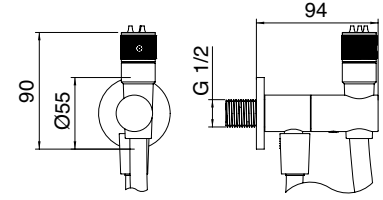
METAL



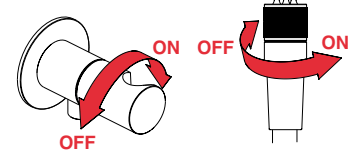
4 l/min



1/2 M



INSTRUCTION FOR USE



Per ulteriori composizioni doccia vedi sezione SHOWERS & THERMOSTATICS

For other shower fittings check the SHOWERS & THERMOSTATICS section

Pour d'autres solutions douche voir section SHOWERS & THERMOSTATICS

Für weitere duschaustattungen siehe abschnitt SHOWERS & THERMOSTATICS



Kea

design by
Marco Pisati & Giampiero Castagnoli

- chrome **CC**
- matt black **NN**
- polished nickel **NL**
- brushed nickel **NF**
- polished black chrome **HH**
- brushed black chrome **CZ**
- brushed bronze **US**
- brushed brass **UZ**
- gold **DD**
- brushed gold **DZ**
- brushed rose gold **SZ**



archiproducts
DESIGN AWARDS

—
WINNER 2020



CC	IT 3A16 CC RO ZZ	851,00
NN	IT 3A16 NN RO ZZ	1.131,00
NL	IT 3A16 NL RO ZZ	1.106,00
NF	IT 3A16 NF RO ZZ	1.106,00
HH	IT 3A16 HH RO ZZ	1.310,00
CZ	IT 3A16 CZ RO ZZ	1.310,00
US	IT 3A16 US RO ZZ	1.310,00
UZ	IT 3A16 UZ RO ZZ	1.310,00
DD	IT 3A16 DD RO ZZ	1.769,00
DZ	IT 3A16 DZ RO ZZ	1.769,00
SZ	IT 3A16 SZ RO ZZ	1.769,00

Batteria lavabo 3 fori 195 - LED
 3 hole washbasin mixer 195 - LED
 Mélangeur lavabo 3 trous 195 - LED
 Waschtisch Dreilochbatterie 195 - LED



ITRTVT101CC



ITRTAE131ZZ



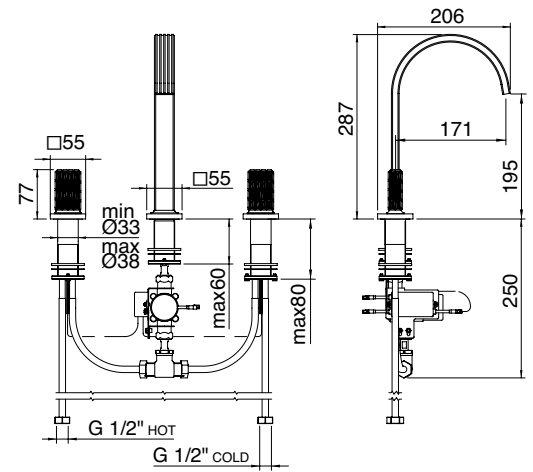
ITRTAT112ZZ



6 l/min



LED



Non necessita di alimentazione elettrica
 Power supply is not required
 Alimentation électrique pas nécessaire
 Stromversorgung ist nicht erforderlich



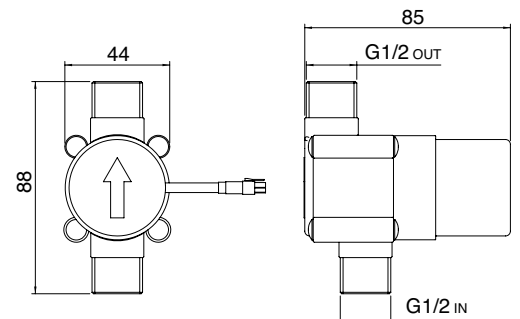
A meno di 3 l/min la luce non si accende
 Under 3L/MIN the light does not work
 Au dessous de 3 l/m la lumière ne marche pas
 Unter 3 l/m funktioniert das Licht nicht



Min 1.5 bar - Necessari per il funzionamento
 1.5 bar is needed to be operating
 1.5 bar de pression sont nécessaires pour le fonctionnement
 Min 1,5 bar – für den Betrieb erforderlich

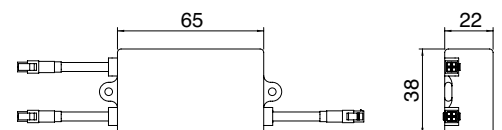
ZZ IT RTEL 040 ZZ 01 93,00

Generatore di corrente - (ricambio)
 Current generator - (replacement)
 Générateur d'électricité - (remplacement)
 Stromerzeuger - (Ersatz)



ZZ IT RTEL 040 ZZ 02 109,00

Scatola elettrica - (ricambio)
 Electric box - (replacement)
 Boitier électrique - (remplacement)
 Elektrobox - (Ersatz)





IT 7A16 SZ KO ZZ

WATT

W-70S

Q30

T30

KEA



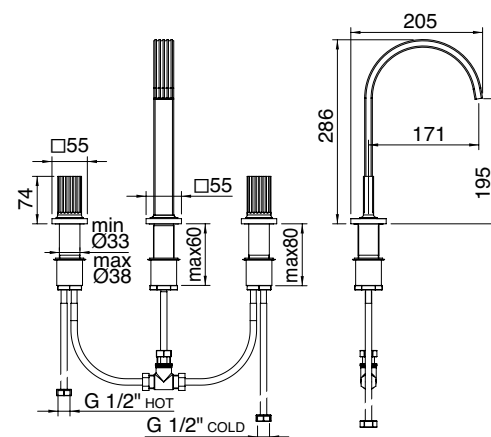


CC	IT 7A16 CC KO ZZ	683,00
NN	IT 7A16 NN KO ZZ	909,00
NL	IT 7A16 NL KO ZZ	888,00
NF	IT 7A16 NF KO ZZ	888,00
HH	IT 7A16 HH KO ZZ	1.052,00
CZ	IT 7A16 CZ KO ZZ	1.052,00
US	IT 7A16 US KO ZZ	1.052,00
UZ	IT 7A16 UZ KO ZZ	1.052,00
DD	IT 7A16 DD KO ZZ	1.420,00
DZ	IT 7A16 DZ KO ZZ	1.420,00
SZ	IT 7A16 SZ KO ZZ	1.420,00

Batteria lavabo 3 fori 195
3 hole washbasin mixer 195
Mélangeur lavabo 3 trous 195
Waschtisch Dreilochbatterie 195



ITRTVT101CC ITRTAE131ZZ ITRTAT112ZZ 6 l/min

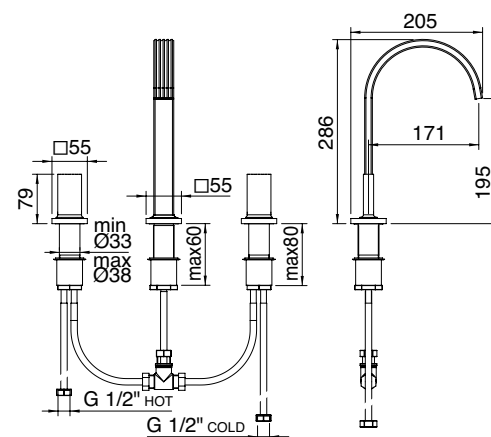


CC	IT 7A16 CC K_ ZZ	834,00
NN	IT 7A16 NN K_ ZZ	1.109,00
NL	IT 7A16 NL K_ ZZ	1.084,00
NF	IT 7A16 NF K_ ZZ	1.084,00
HH	IT 7A16 HH K_ ZZ	1.284,00
CZ	IT 7A16 CZ K_ ZZ	1.284,00
US	IT 7A16 US K_ ZZ	1.284,00
UZ	IT 7A16 UZ K_ ZZ	1.284,00
DD	IT 7A16 DD K_ ZZ	1.734,00
DZ	IT 7A16 DZ K_ ZZ	1.734,00
SZ	IT 7A16 SZ K_ ZZ	1.734,00

Batteria lavabo 3 fori 195
3 hole washbasin mixer 195
Mélangeur lavabo 3 trous 195
Waschtisch Dreilochbatterie 195



ITRTVT101CC ITRTAE131ZZ ITRTAT112ZZ 6 l/min

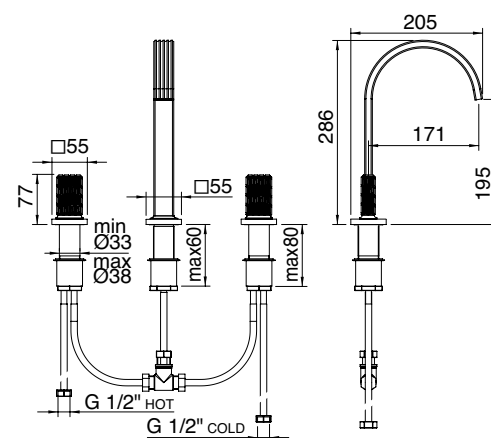


CC	IT 7A16 CC R_ ZZ	785,00
NN	IT 7A16 NN R_ ZZ	1.044,00
NL	IT 7A16 NL R_ ZZ	1.020,00
NF	IT 7A16 NF R_ ZZ	1.020,00
HH	IT 7A16 HH R_ ZZ	1.209,00
CZ	IT 7A16 CZ R_ ZZ	1.209,00
US	IT 7A16 US R_ ZZ	1.209,00
UZ	IT 7A16 UZ R_ ZZ	1.209,00
DD	IT 7A16 DD R_ ZZ	1.633,00
DZ	IT 7A16 DZ R_ ZZ	1.633,00
SZ	IT 7A16 SZ R_ ZZ	1.633,00

Batteria lavabo 3 fori 195
3 hole washbasin mixer 195
Mélangeur lavabo 3 trous 195
Waschtisch Dreilochbatterie 195



ITRTVT101CC ITRTAE131ZZ ITRTAT112ZZ 6 l/min

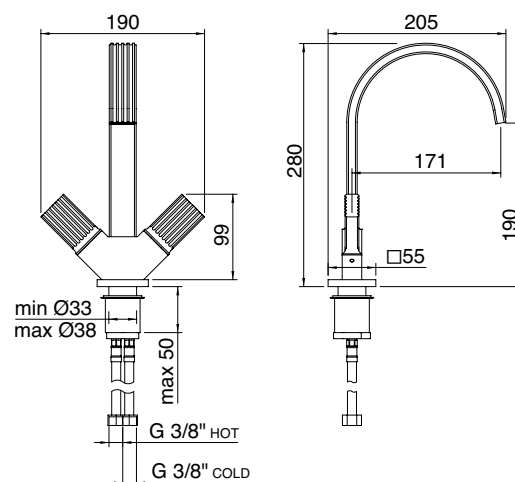


CC	IT 7A14 CC KO ZZ	563,00
NN	IT 7A14 NN KO ZZ	749,00
NL	IT 7A14 NL KO ZZ	732,00
NF	IT 7A14 NF KO ZZ	732,00
HH	IT 7A14 HH KO ZZ	867,00
CZ	IT 7A14 CZ KO ZZ	867,00
US	IT 7A14 US KO ZZ	867,00
UZ	IT 7A14 UZ KO ZZ	867,00
DD	IT 7A14 DD KO ZZ	1.171,00
DZ	IT 7A14 DZ KO ZZ	1.171,00
SZ	IT 7A14 SZ KO ZZ	1.171,00

Miscelatore lavabo 2 maniglie 190
2-handle basin mixer 190
Mélangeur lavabo monotrou 190
2-Griff Waschtischarmatur 190



ITRTVT187NI R2IT7A14ZZ10 ITRTAE131ZZ ITRTAT112ZZ 6 l/min





NL
polished nickel

NF
brushed nickel

SZ
brushed rose gold



DZ
brushed gold



US
brushed bronze

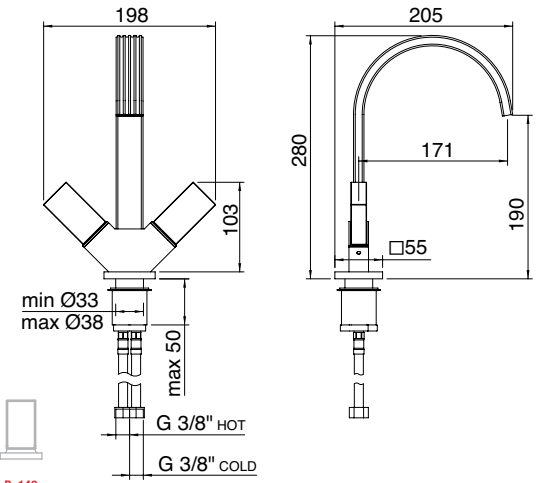


CZ
brushed black chrome



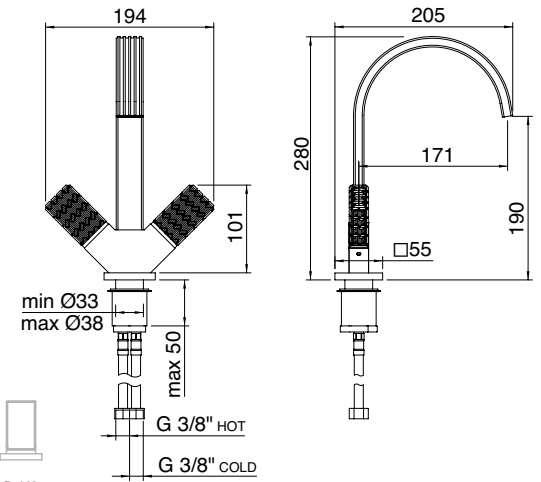
CC	IT 7A14 CC K_ ZZ	652,00
NN	IT 7A14 NN K_ ZZ	868,00
NL	IT 7A14 NL K_ ZZ	848,00
NF	IT 7A14 NF K_ ZZ	848,00
HH	IT 7A14 HH K_ ZZ	1.004,00
CZ	IT 7A14 CZ K_ ZZ	1.004,00
US	IT 7A14 US K_ ZZ	1.004,00
UZ	IT 7A14 UZ K_ ZZ	1.004,00
DD	IT 7A14 DD K_ ZZ	1.356,00
DZ	IT 7A14 DZ K_ ZZ	1.356,00
SZ	IT 7A14 SZ K_ ZZ	1.356,00

Miscelatore lavabo 2 maniglie 190
2-handle basin mixer 190
Mélangeur lavabo monotrou 190
2-Griff Waschtischarmatur 190



CC	IT 7A14 CC R_ ZZ	608,00
NN	IT 7A14 NN R_ ZZ	808,00
NL	IT 7A14 NL R_ ZZ	789,00
NF	IT 7A14 NF R_ ZZ	789,00
HH	IT 7A14 HH R_ ZZ	936,00
CZ	IT 7A14 CZ R_ ZZ	936,00
US	IT 7A14 US R_ ZZ	936,00
UZ	IT 7A14 UZ R_ ZZ	936,00
DD	IT 7A14 DD R_ ZZ	1.263,00
DZ	IT 7A14 DZ R_ ZZ	1.263,00
SZ	IT 7A14 SZ R_ ZZ	1.263,00

Miscelatore lavabo 2 maniglie 190
2-handle basin mixer 190
Mélangeur lavabo monotrou 190
2-Griff Waschtischarmatur 190

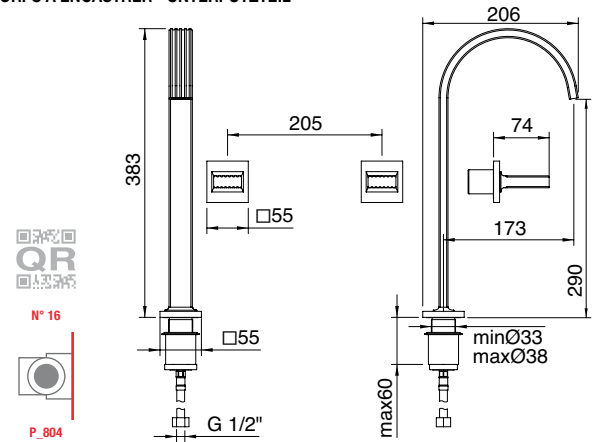


CC	RWIT 7A85 CC KO	510,00
NN	RWIT 7A85 NN KO	725,00
NL	RWIT 7A85 NL KO	714,00
NF	RWIT 7A85 NF KO	714,00
HH	RWIT 7A85 HH KO	877,00
CZ	RWIT 7A85 CZ KO	877,00
US	RWIT 7A85 US KO	877,00
UZ	RWIT 7A85 UZ KO	877,00
DD	RWIT 7A85 DD KO	1.126,00
DZ	RWIT 7A85 DZ KO	1.126,00
SZ	RWIT 7A85 SZ KO	1.126,00

Batteria lavabo 3 fori 290
3 hole washbasin mixer 290
Mélangeur lavabo 3 trous 290
Waschtisch Dreilochbatterie 290



RWIT 7A52 ZZ 02 133,00
+ PARTI INCASSO - CONCEALED BODY
CORPS À ENCASTRER - UNTERPUTZTEIL

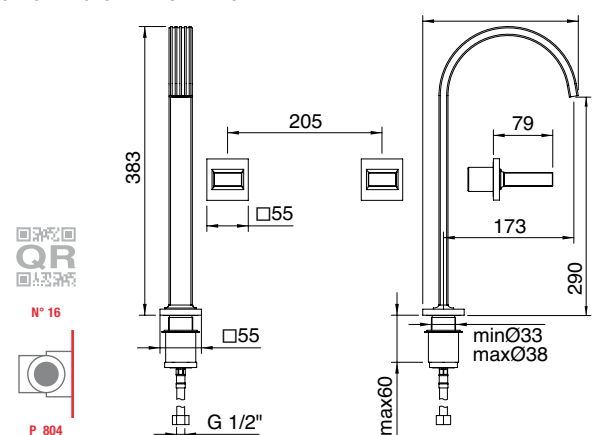


CC	RWIT 7A85 CC K_	604,00
NN	RWIT 7A85 NN K_	856,00
NL	RWIT 7A85 NL K_	845,00
NF	RWIT 7A85 NF K_	845,00
HH	RWIT 7A85 HH K_	1.038,00
CZ	RWIT 7A85 CZ K_	1.038,00
US	RWIT 7A85 US K_	1.038,00
UZ	RWIT 7A85 UZ K_	1.038,00
DD	RWIT 7A85 DD K_	1.332,00
DZ	RWIT 7A85 DZ K_	1.332,00
SZ	RWIT 7A85 SZ K_	1.332,00

Batteria lavabo 3 fori 290
3 hole washbasin mixer 290
Mélangeur lavabo 3 trous 290
Waschtisch Dreilochbatterie 290



RWIT 7A60 ZZ 02 133,00
+ PARTI INCASSO - CONCEALED BODY
CORPS À ENCASTRER - UNTERPUTZTEIL





WATT

W-70S

Q30

T30

KEA





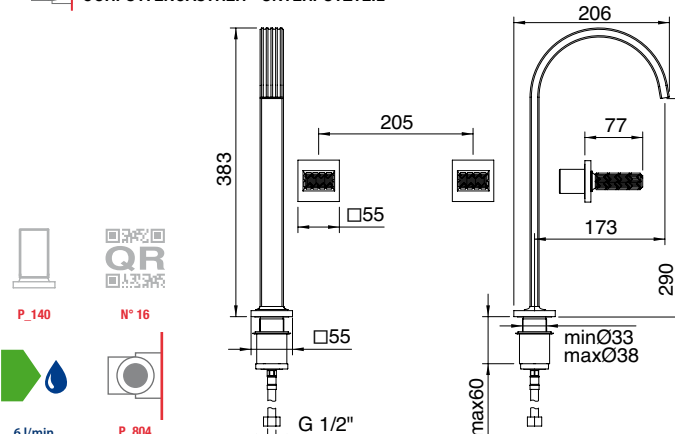
CC	RWIT 7A85 CC R_	559,00
NN	RWIT 7A85 NN R_	794,00
NL	RWIT 7A85 NL R_	782,00
NF	RWIT 7A85 NF R_	782,00
HH	RWIT 7A85 HH R_	960,00
CZ	RWIT 7A85 CZ R_	960,00
US	RWIT 7A85 US R_	960,00
UZ	RWIT 7A85 UZ R_	960,00
DD	RWIT 7A85 DD R_	1.234,00
DZ	RWIT 7A85 DZ R_	1.234,00
SZ	RWIT 7A85 SZ R_	1.234,00

Batteria lavabo 3 fori 290
3 hole washbasin mixer 290
Mélangeur lavabo 3 trous 290
Waschtisch Dreilochbatterie 290



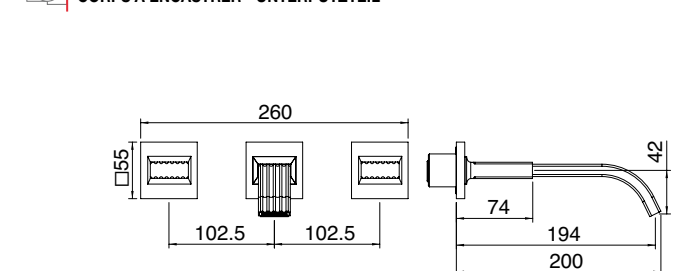
RWIT 7A60 ZZ 02 133,00

+ PARTI INCASSO - CONCEALED BODY
CORPS À ENCASTRER - UNTERPUTZTEIL



RWIT 7A52 ZZ 02 133,00

+ PARTI INCASSO - CONCEALED BODY
CORPS À ENCASTRER - UNTERPUTZTEIL



CC	RWIT 7A52 CC KO	443,00
NN	RWIT 7A52 NN KO	629,00
NL	RWIT 7A52 NL KO	621,00
NF	RWIT 7A52 NF KO	621,00
HH	RWIT 7A52 HH KO	762,00
CZ	RWIT 7A52 CZ KO	762,00
US	RWIT 7A52 US KO	762,00
UZ	RWIT 7A52 UZ KO	762,00
DD	RWIT 7A52 DD KO	979,00
DZ	RWIT 7A52 DZ KO	979,00
SZ	RWIT 7A52 SZ KO	979,00

Gruppo lavabo a muro 200
Concealed 3 hole washbasin 200
Mélangeur lavabo à encastrer 200
UP-Waschtisch batterie 200



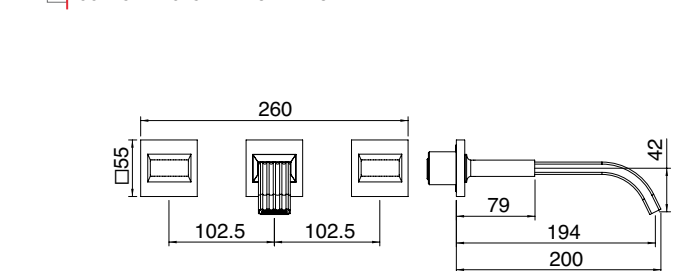
CC	RWIT 7A52 CC K_	555,00
NN	RWIT 7A52 NN K_	787,00
NL	RWIT 7A52 NL K_	776,00
NF	RWIT 7A52 NF K_	776,00
HH	RWIT 7A52 HH K_	953,00
CZ	RWIT 7A52 CZ K_	953,00
US	RWIT 7A52 US K_	953,00
UZ	RWIT 7A52 UZ K_	953,00
DD	RWIT 7A52 DD K_	1.225,00
DZ	RWIT 7A52 DZ K_	1.225,00
SZ	RWIT 7A52 SZ K_	1.225,00

Gruppo lavabo a muro 200
Concealed 3 hole washbasin 200
Mélangeur lavabo à encastrer 200
UP-Waschtisch batterie 200



RWIT 7A60 ZZ 02 133,00

+ PARTI INCASSO - CONCEALED BODY
CORPS À ENCASTRER - UNTERPUTZTEIL



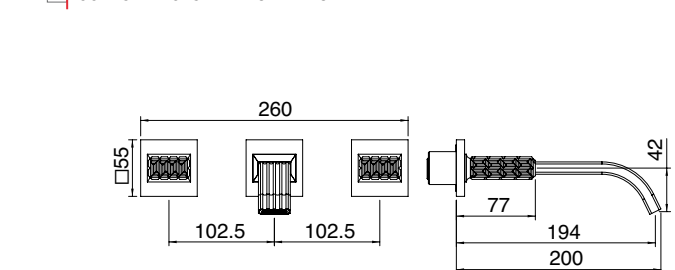
CC	RWIT 7A52 CC R_	502,00
NN	RWIT 7A52 NN R_	712,00
NL	RWIT 7A52 NL R_	702,00
NF	RWIT 7A52 NF R_	702,00
HH	RWIT 7A52 HH R_	863,00
CZ	RWIT 7A52 CZ R_	863,00
US	RWIT 7A52 US R_	863,00
UZ	RWIT 7A52 UZ R_	863,00
DD	RWIT 7A52 DD R_	1.108,00
DZ	RWIT 7A52 DZ R_	1.108,00
SZ	RWIT 7A52 SZ R_	1.108,00

Gruppo lavabo a muro 200
Concealed 3 hole washbasin 200
Mélangeur lavabo à encastrer 200
UP-Waschtisch batterie 200



RWIT 7A60 ZZ 02 133,00

+ PARTI INCASSO - CONCEALED BODY
CORPS À ENCASTRER - UNTERPUTZTEIL



WATT

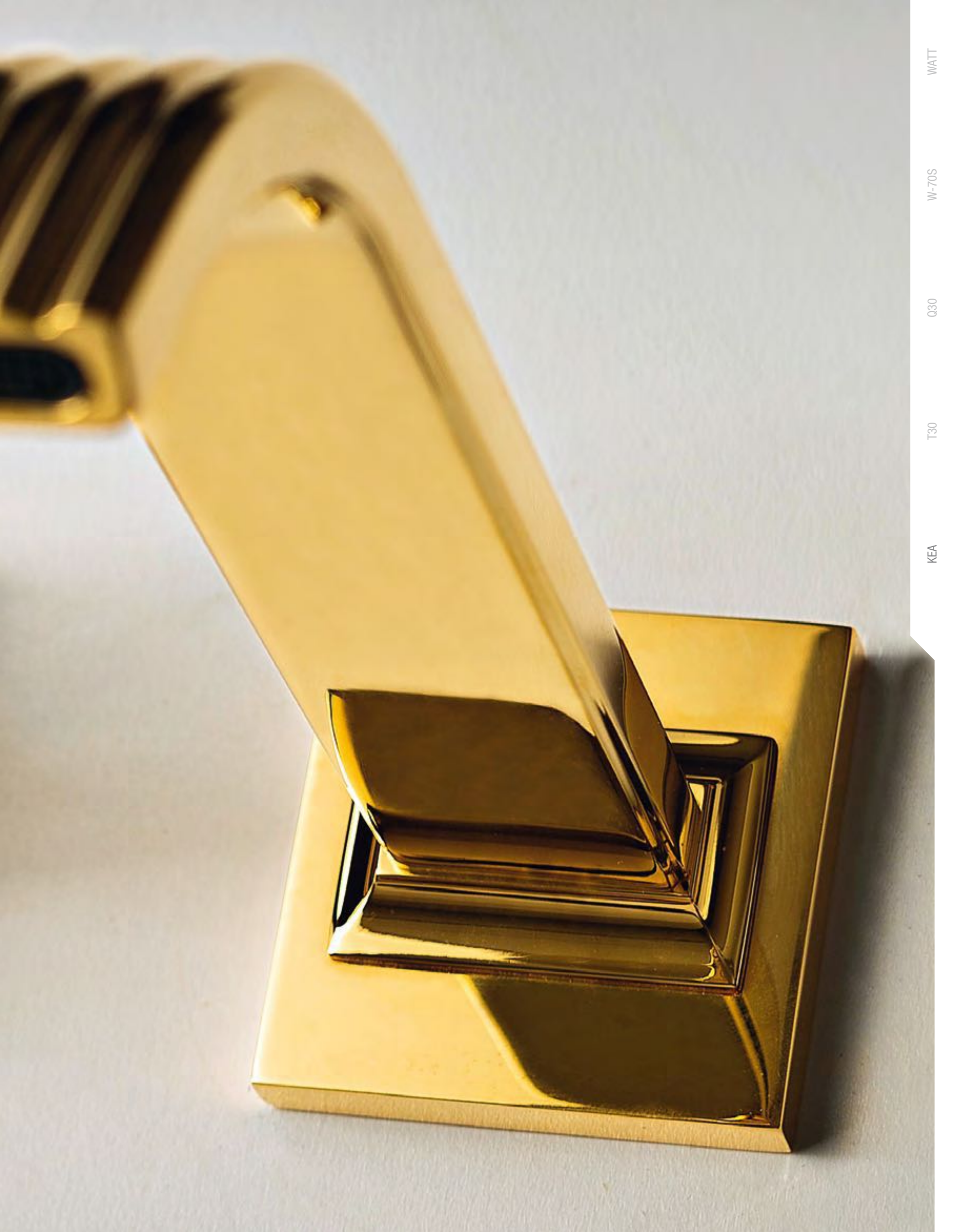
W-70S

Q30

T30

KEA



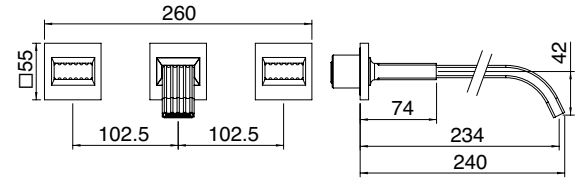




CC	RWIT 7A60 CC KO	480,00
NN	RWIT 7A60 NN KO	682,00
NL	RWIT 7A60 NL KO	672,00
NF	RWIT 7A60 NF KO	672,00
HH	RWIT 7A60 HH KO	826,00
CZ	RWIT 7A60 CZ KO	826,00
US	RWIT 7A60 US KO	826,00
UZ	RWIT 7A60 UZ KO	826,00
DD	RWIT 7A60 DD KO	1.060,00
DZ	RWIT 7A60 DZ KO	1.060,00
SZ	RWIT 7A60 SZ KO	1.060,00

Gruppo lavabo a muro 240
 Concealed 3 hole washbasin 240
 Mélangeur lavabo à encastrer 240
 UP-Waschtisch batterie 240

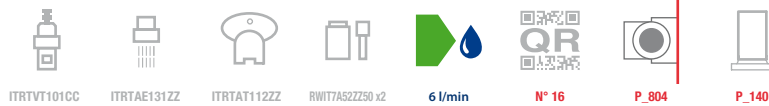
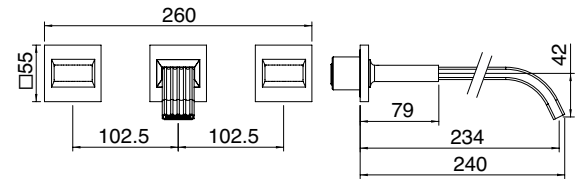
RWIT 7A52 ZZ 02 133,00
 + PARTI INCASSO - CONCEALED BODY
 CORPS À ENCASTRER - UNTERPUTZTEIL



CC	RWIT 7A60 CC K_	600,00
NN	RWIT 7A60 NN K_	852,00
NL	RWIT 7A60 NL K_	840,00
NF	RWIT 7A60 NF K_	840,00
HH	RWIT 7A60 HH K_	1.032,00
CZ	RWIT 7A60 CZ K_	1.032,00
US	RWIT 7A60 US K_	1.032,00
UZ	RWIT 7A60 UZ K_	1.032,00
DD	RWIT 7A60 DD K_	1.326,00
DZ	RWIT 7A60 DZ K_	1.326,00
SZ	RWIT 7A60 SZ K_	1.326,00

Gruppo lavabo a muro 240
 Concealed 3 hole washbasin 240
 Mélangeur lavabo à encastrer 240
 UP-Waschtisch batterie 240

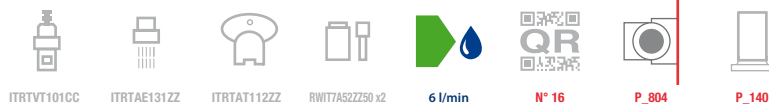
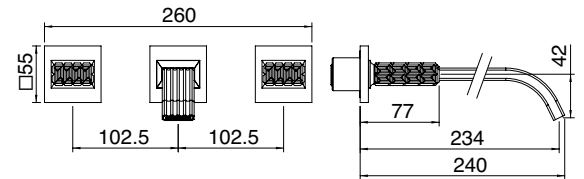
RWIT 7A60 ZZ 02 133,00
 + PARTI INCASSO - CONCEALED BODY
 CORPS À ENCASTRER - UNTERPUTZTEIL



CC	RWIT 7A60 CC R_	543,00
NN	RWIT 7A60 NN R_	771,00
NL	RWIT 7A60 NL R_	760,00
NF	RWIT 7A60 NF R_	760,00
HH	RWIT 7A60 HH R_	934,00
CZ	RWIT 7A60 CZ R_	934,00
US	RWIT 7A60 US R_	934,00
UZ	RWIT 7A60 UZ R_	934,00
DD	RWIT 7A60 DD R_	1.199,00
DZ	RWIT 7A60 DZ R_	1.199,00
SZ	RWIT 7A60 SZ R_	1.199,00

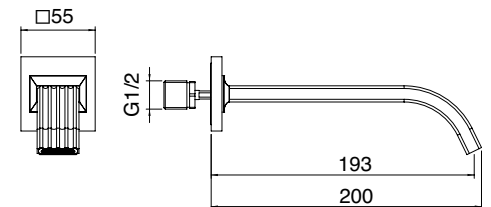
Gruppo lavabo a muro 240
 Concealed 3 hole washbasin 240
 Mélangeur lavabo à encastrer 240
 UP-Waschtisch batterie 240

RWIT 7A60 ZZ 02 133,00
 + PARTI INCASSO - CONCEALED BODY
 CORPS À ENCASTRER - UNTERPUTZTEIL



CC	IT 7A63 CC ZZ ZZ	245,00
NN	IT 7A63 NN ZZ ZZ	326,00
NL	IT 7A63 NL ZZ ZZ	318,00
NF	IT 7A63 NF ZZ ZZ	318,00
HH	IT 7A63 HH ZZ ZZ	376,00
CZ	IT 7A63 CZ ZZ ZZ	376,00
US	IT 7A63 US ZZ ZZ	376,00
UZ	IT 7A63 UZ ZZ ZZ	376,00
DD	IT 7A63 DD ZZ ZZ	508,00
DZ	IT 7A63 DZ ZZ ZZ	508,00
SZ	IT 7A63 SZ ZZ ZZ	508,00

Bocca a muro 193
 Wall-mtd spout 193
 Bec mural 193
 Einlauf Wandmontage 193



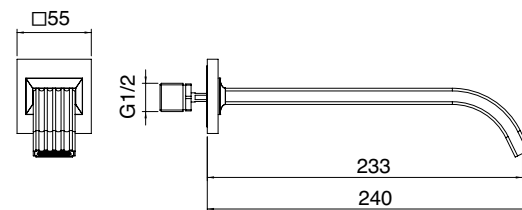


CC	IT 7A61 CC ZZ ZZ	265,00
NN	IT 7A61 NN ZZ ZZ	353,00
NL	IT 7A61 NL ZZ ZZ	345,00
NF	IT 7A61 NF ZZ ZZ	345,00
HH	IT 7A61 HH ZZ ZZ	407,00
CZ	IT 7A61 CZ ZZ ZZ	407,00
US	IT 7A61 US ZZ ZZ	407,00
UZ	IT 7A61 UZ ZZ ZZ	407,00
DD	IT 7A61 DD ZZ ZZ	551,00
DZ	IT 7A61 DZ ZZ ZZ	551,00
SZ	IT 7A61 SZ ZZ ZZ	551,00

Bocca a muro 233
Wall-mtd spout 233
Bec mural 233
Einlauf Wandmontage 233



ITRTAE131ZZ ITRTAT112ZZ 6l/min

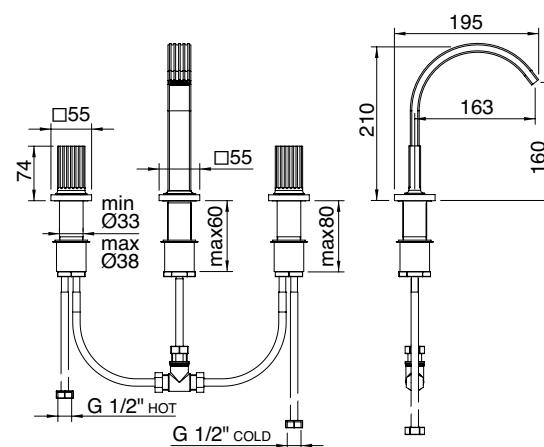


CC	IT 7A27 CC KO ZZ	545,00
NN	IT 7A27 NN KO ZZ	725,00
NL	IT 7A27 NL KO ZZ	708,00
NF	IT 7A27 NF KO ZZ	708,00
HH	IT 7A27 HH KO ZZ	839,00
CZ	IT 7A27 CZ KO ZZ	839,00
US	IT 7A27 US KO ZZ	839,00
UZ	IT 7A27 UZ KO ZZ	839,00
DD	IT 7A27 DD KO ZZ	1.133,00
DZ	IT 7A27 DZ KO ZZ	1.133,00
SZ	IT 7A27 SZ KO ZZ	1.133,00

Batteria bidet 3 fori
3 hole bidet mixer
Mélangeur bidet 3 trous
Bidet Dreilochbatterie



ITRTVT101CC ITRTAE131ZZ ITRTAT112ZZ 6l/min



CC	IT 7A27 CC K_ ZZ	669,00
NN	IT 7A27 NN K_ ZZ	890,00
NL	IT 7A27 NL K_ ZZ	870,00
NF	IT 7A27 NF K_ ZZ	870,00
HH	IT 7A27 HH K_ ZZ	1.030,00
CZ	IT 7A27 CZ K_ ZZ	1.030,00
US	IT 7A27 US K_ ZZ	1.030,00
UZ	IT 7A27 UZ K_ ZZ	1.030,00
DD	IT 7A27 DD K_ ZZ	1.391,00
DZ	IT 7A27 DZ K_ ZZ	1.391,00
SZ	IT 7A27 SZ K_ ZZ	1.391,00

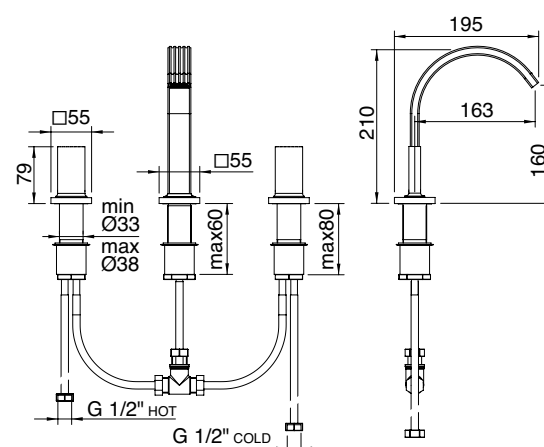
Batteria bidet 3 fori
3 hole bidet mixer
Mélangeur bidet 3 trous
Bidet Dreilochbatterie



ITRTVT101CC ITRTAE131ZZ ITRTAT112ZZ 6l/min



P_140



CC	IT 7A27 CC R_ ZZ	630,00
NN	IT 7A27 NN R_ ZZ	838,00
NL	IT 7A27 NL R_ ZZ	819,00
NF	IT 7A27 NF R_ ZZ	819,00
HH	IT 7A27 HH R_ ZZ	970,00
CZ	IT 7A27 CZ R_ ZZ	970,00
US	IT 7A27 US R_ ZZ	970,00
UZ	IT 7A27 UZ R_ ZZ	970,00
DD	IT 7A27 DD R_ ZZ	1.310,00
DZ	IT 7A27 DZ R_ ZZ	1.310,00
SZ	IT 7A27 SZ R_ ZZ	1.310,00

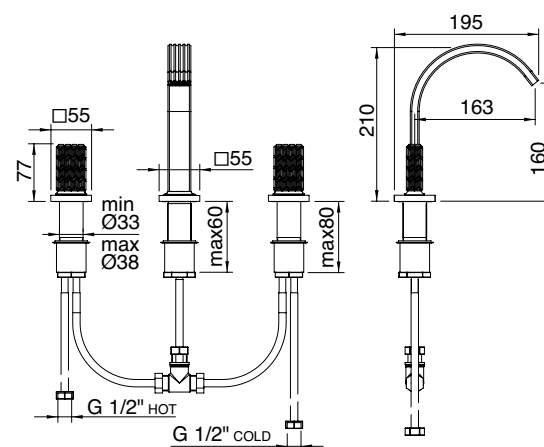
Batteria bidet 3 fori
3 hole bidet mixer
Mélangeur bidet 3 trous
Bidet Dreilochbatterie



ITRTVT101CC ITRTAE131ZZ ITRTAT112ZZ 6l/min



P_140





DD
gold

NL
polished nickel

HH
polished black chrome



CC
chrome

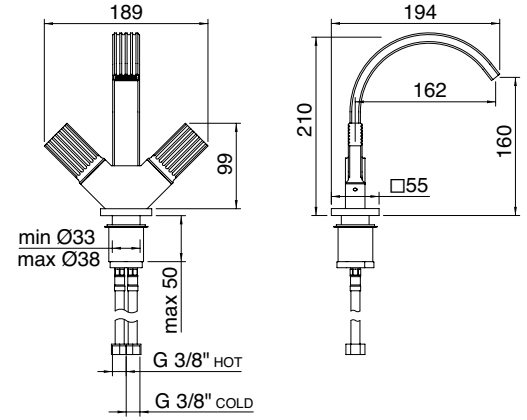


NN
matt black



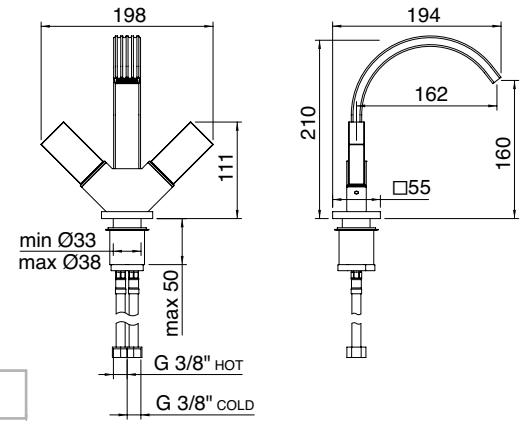
CC	IT 7A24 CC KO ZZ	533,00
NN	IT 7A24 NN KO ZZ	708,00
NL	IT 7A24 NL KO ZZ	692,00
NF	IT 7A24 NF KO ZZ	692,00
HH	IT 7A24 HH KO ZZ	819,00
CZ	IT 7A24 CZ KO ZZ	819,00
US	IT 7A24 US KO ZZ	819,00
UZ	IT 7A24 UZ KO ZZ	819,00
DD	IT 7A24 DD KO ZZ	1.107,00
DZ	IT 7A24 DZ KO ZZ	1.107,00
SZ	IT 7A24 SZ KO ZZ	1.107,00

Miscelatore bidet 2 maniglie
2-handle bidet mixer mixer
Mélangeur bidet monotrou
2-Griff Bidetarmatur



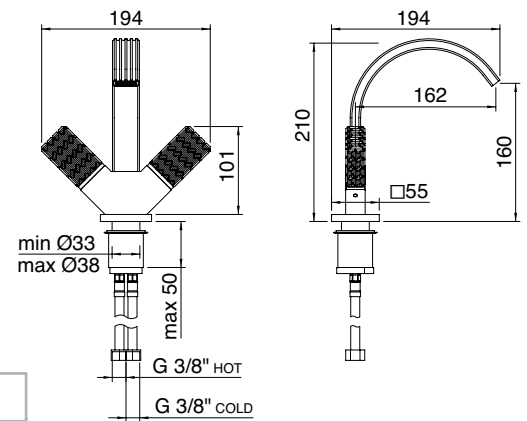
CC	IT 7A24 CC K_ ZZ	639,00
NN	IT 7A24 NN K_ ZZ	849,00
NL	IT 7A24 NL K_ ZZ	830,00
NF	IT 7A24 NF K_ ZZ	830,00
HH	IT 7A24 HH K_ ZZ	983,00
CZ	IT 7A24 CZ K_ ZZ	983,00
US	IT 7A24 US K_ ZZ	983,00
UZ	IT 7A24 UZ K_ ZZ	983,00
DD	IT 7A24 DD K_ ZZ	1.327,00
DZ	IT 7A24 DZ K_ ZZ	1.327,00
SZ	IT 7A24 SZ K_ ZZ	1.327,00

Miscelatore bidet 2 maniglie
2-handle bidet mixer mixer
Mélangeur bidet monotrou
2-Griff Bidetarmatur



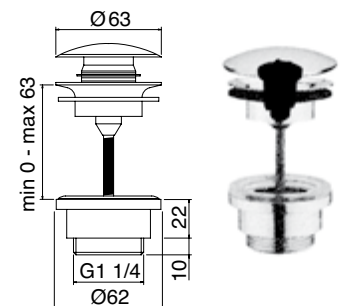
CC	IT 7A24 CC R_ ZZ	594,00
NN	IT 7A24 NN R_ ZZ	789,00
NL	IT 7A24 NL R_ ZZ	772,00
NF	IT 7A24 NF R_ ZZ	772,00
HH	IT 7A24 HH R_ ZZ	914,00
CZ	IT 7A24 CZ R_ ZZ	914,00
US	IT 7A24 US R_ ZZ	914,00
UZ	IT 7A24 UZ R_ ZZ	914,00
DD	IT 7A24 DD R_ ZZ	1.234,00
DZ	IT 7A24 DZ R_ ZZ	1.234,00
SZ	IT 7A24 SZ R_ ZZ	1.234,00

Miscelatore bidet 2 maniglie
2-handle bidet mixer mixer
Mélangeur bidet monotrou
2-Griff Bidetarmatur



CC	IT RTSA 117 CC	28,00
NN	IT RTSA 117 NN	38,00
NL	IT RTSA 117 NL	39,00
NF	IT RTSA 117 NF	39,00
HH	IT RTSA 117 HH	45,00
CZ	IT RTSA 117 CZ	45,00
US	IT RTSA 117 US	45,00
UZ	IT RTSA 117 UZ	45,00
DD	IT RTSA 117 DD	54,00
DZ	IT RTSA 117 DZ	59,00
SZ	IT RTSA 117 SZ	59,00

Scarico click-clack universale con inserto per sempre aperto
Universal up/down pop-up waste with adaptor for continuous water flow
Bonde click-clack universelle avec option écoulement libre
Universal-Abflussgarnitur Click-Clack mit Verschlussperre

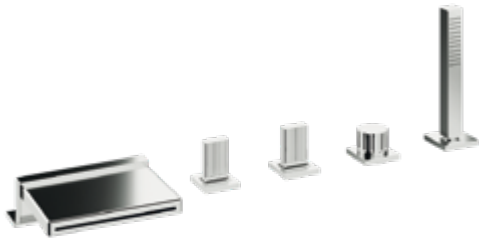
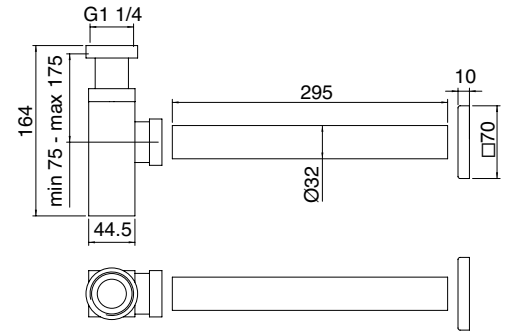






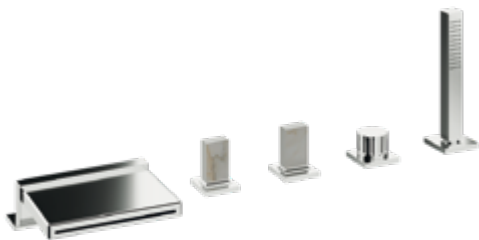
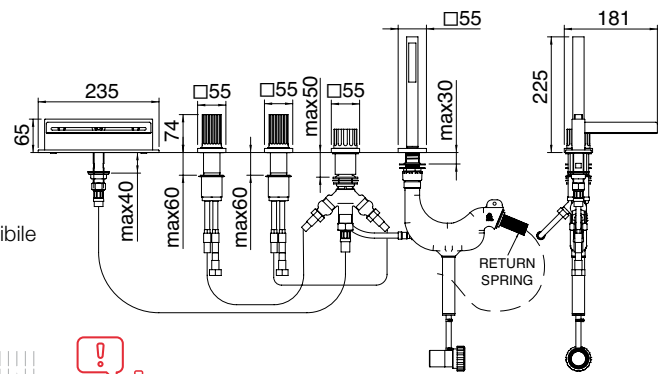
CC	IT 0465 CC ZZ ZZ	134,00
NN	IT 0465 NN ZZ ZZ	180,00
NL	IT 0465 NL ZZ ZZ	175,00
NF	IT 0465 NF ZZ ZZ	175,00
HH	IT 0465 HH ZZ ZZ	208,00
CZ	IT 0465 CZ ZZ ZZ	208,00
US	IT 0465 US ZZ ZZ	208,00
UZ	IT 0465 UZ ZZ ZZ	208,00
DD	IT 0465 DD ZZ ZZ	280,00
DZ	IT 0465 DZ ZZ ZZ	280,00
SZ	IT 0465 SZ ZZ ZZ	280,00

Sifone a vista
 Drain-trap
 Siphon
 Siphon für Waschtisch



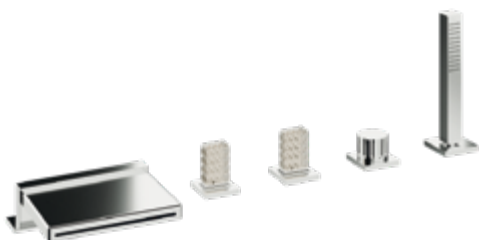
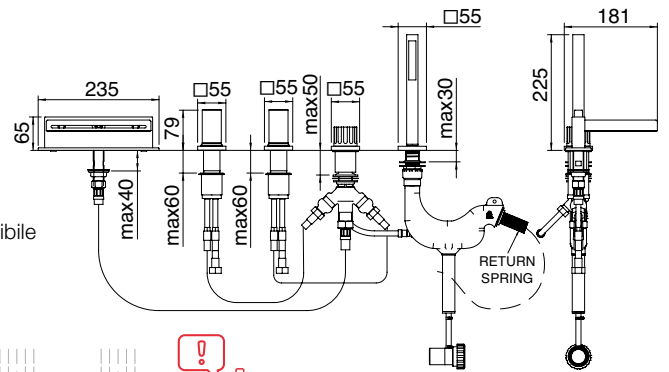
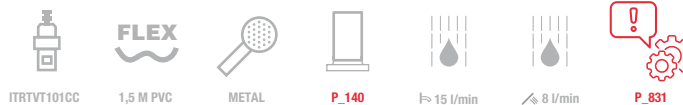
CC	IT 7A06 CC KO ZZ	1.144,00
NN	IT 7A06 NN KO ZZ	1.521,00
NL	IT 7A06 NL KO ZZ	1.487,00
NF	IT 7A06 NF KO ZZ	1.487,00
HH	IT 7A06 HH KO ZZ	1.761,00
CZ	IT 7A06 CZ KO ZZ	1.761,00
US	IT 7A06 US KO ZZ	1.761,00
UZ	IT 7A06 UZ KO ZZ	1.761,00
DD	IT 7A06 DD KO ZZ	2.378,00
DZ	IT 7A06 DZ KO ZZ	2.378,00
SZ	IT 7A06 SZ KO ZZ	2.378,00

Batteria bordo vasca 5 fori con doccetta estraibile
 5 hole deck-mounted bathtub
 Mélangeur bain/douche 5 trous sur gorge
 Fünfloch - Wannrandarmatur



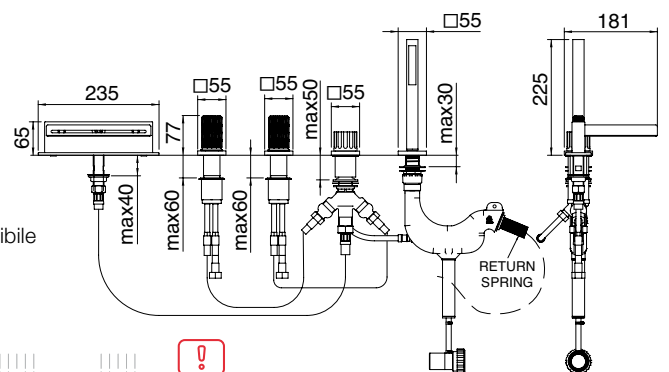
CC	IT 7A06 CC K_ ZZ	1.263,00
NN	IT 7A06 NN K_ ZZ	1.680,00
NL	IT 7A06 NL K_ ZZ	1.642,00
NF	IT 7A06 NF K_ ZZ	1.642,00
HH	IT 7A06 HH K_ ZZ	1.945,00
CZ	IT 7A06 CZ K_ ZZ	1.945,00
US	IT 7A06 US K_ ZZ	1.945,00
UZ	IT 7A06 UZ K_ ZZ	1.945,00
DD	IT 7A06 DD K_ ZZ	2.627,00
DZ	IT 7A06 DZ K_ ZZ	2.627,00
SZ	IT 7A06 SZ K_ ZZ	2.627,00

Batteria bordo vasca 5 fori con doccetta estraibile
 5 hole deck-mounted bathtub
 Mélangeur bain/douche 5 trous sur gorge
 Fünfloch - Wannrandarmatur



CC	IT 7A06 CC R_ ZZ	1.215,00
NN	IT 7A06 NN R_ ZZ	1.616,00
NL	IT 7A06 NL R_ ZZ	1.578,00
NF	IT 7A06 NF R_ ZZ	1.578,00
HH	IT 7A06 HH R_ ZZ	1.870,00
CZ	IT 7A06 CZ R_ ZZ	1.870,00
US	IT 7A06 US R_ ZZ	1.870,00
UZ	IT 7A06 UZ R_ ZZ	1.870,00
DD	IT 7A06 DD R_ ZZ	2.525,00
DZ	IT 7A06 DZ R_ ZZ	2.525,00
SZ	IT 7A06 SZ R_ ZZ	2.525,00

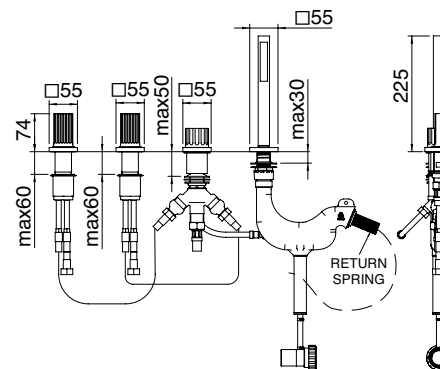
Batteria bordo vasca 5 fori con doccetta estraibile
 5 hole deck-mounted bathtub
 Mélangeur bain/douche 5 trous sur gorge
 Fünfloch - Wannrandarmatur





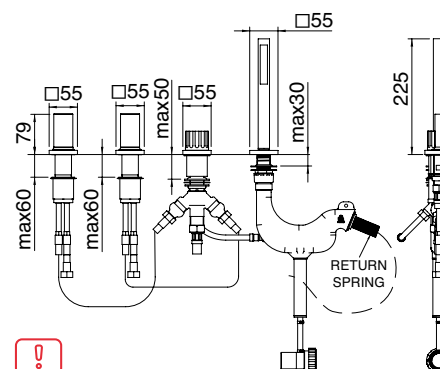
CC	IT 7A70 CC KO ZZ	807,00
NN	IT 7A70 NN KO ZZ	1.074,00
NL	IT 7A70 NL KO ZZ	1.049,00
NF	IT 7A70 NF KO ZZ	1.049,00
HH	IT 7A70 HH KO ZZ	1.243,00
CZ	IT 7A70 CZ KO ZZ	1.243,00
US	IT 7A70 US KO ZZ	1.243,00
UZ	IT 7A70 UZ KO ZZ	1.243,00
DD	IT 7A70 DD KO ZZ	1.678,00
DZ	IT 7A70 DZ KO ZZ	1.678,00
SZ	IT 7A70 SZ KO ZZ	1.678,00

Batteria bordo vasca con doccetta estraibile senza bocca
Deck-mounted bathtub without spout
Mitigeur bain/douche sur gorge sans bec
Wannenrandarmatur ohne Auslauf



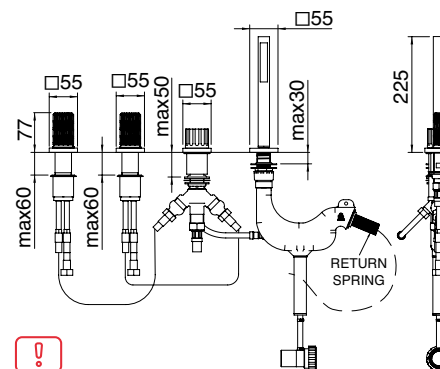
CC	IT 7A70 CC K_ ZZ	937,00
NN	IT 7A70 NN K_ ZZ	1.246,00
NL	IT 7A70 NL K_ ZZ	1.217,00
NF	IT 7A70 NF K_ ZZ	1.217,00
HH	IT 7A70 HH K_ ZZ	1.442,00
CZ	IT 7A70 CZ K_ ZZ	1.442,00
US	IT 7A70 US K_ ZZ	1.442,00
UZ	IT 7A70 UZ K_ ZZ	1.442,00
DD	IT 7A70 DD K_ ZZ	1.947,00
DZ	IT 7A70 DZ K_ ZZ	1.947,00
SZ	IT 7A70 SZ K_ ZZ	1.947,00

Batteria bordo vasca con doccetta estraibile senza bocca
Deck-mounted bathtub without spout
Mitigeur bain/douche sur gorge sans bec
Wannenrandarmatur ohne Auslauf



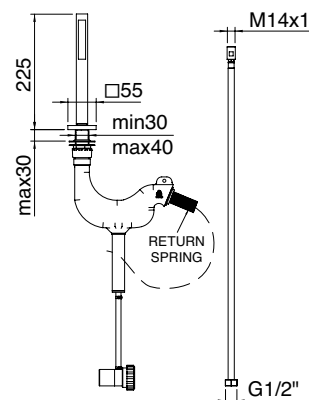
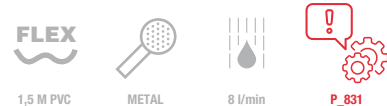
CC	IT 7A70 CC R_ ZZ	883,00
NN	IT 7A70 NN R_ ZZ	1.175,00
NL	IT 7A70 NL R_ ZZ	1.149,00
NF	IT 7A70 NF R_ ZZ	1.149,00
HH	IT 7A70 HH R_ ZZ	1.360,00
CZ	IT 7A70 CZ R_ ZZ	1.360,00
US	IT 7A70 US R_ ZZ	1.360,00
UZ	IT 7A70 UZ R_ ZZ	1.360,00
DD	IT 7A70 DD R_ ZZ	1.837,00
DZ	IT 7A70 DZ R_ ZZ	1.837,00
SZ	IT 7A70 SZ R_ ZZ	1.837,00

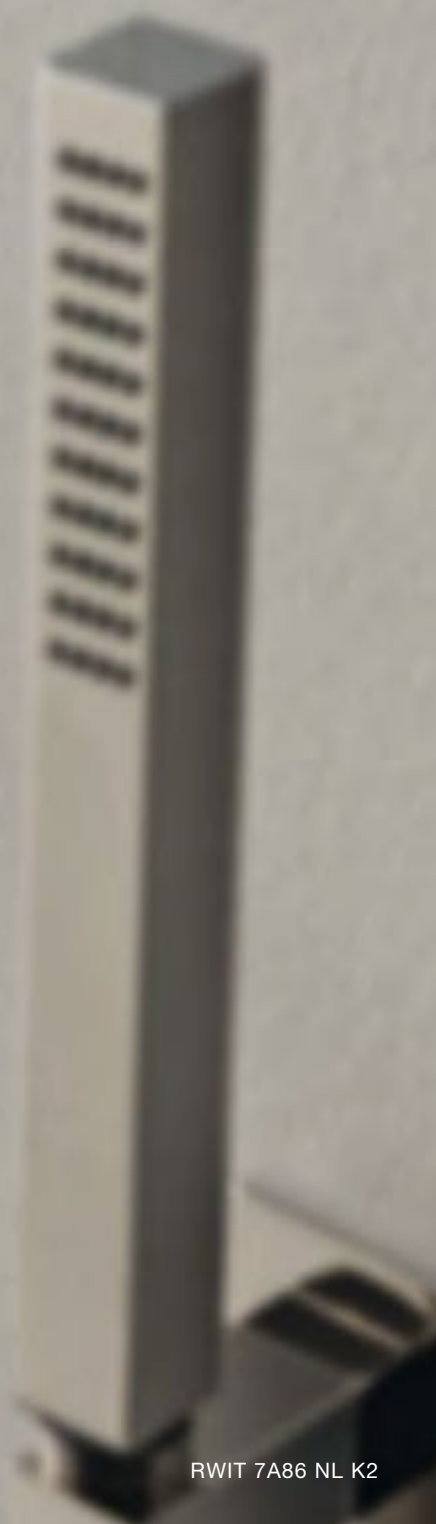
Batteria bordo vasca con doccetta estraibile senza bocca
Deck-mounted bathtub without spout
Mitigeur bain/douche sur gorge sans bec
Wannenrandarmatur ohne Auslauf



CC	RWIT 7A68 CC 05	231,00
NN	RWIT 7A68 NN 05	307,00
NL	RWIT 7A68 NL 05	300,00
NF	RWIT 7A68 NF 05	300,00
HH	RWIT 7A68 HH 05	356,00
CZ	RWIT 7A68 CZ 05	356,00
US	RWIT 7A68 US 05	356,00
UZ	RWIT 7A68 UZ 05	356,00
DD	RWIT 7A68 DD 05	479,00
DZ	RWIT 7A68 DZ 05	479,00
SZ	RWIT 7A68 SZ 05	479,00

Doccetta estraibile bordo vasca
Deck-mounted retractable handshower
Douchette extractible sur gorge
Versenkbare Schlauchbrause





WATT

W-70S

Q30

T30

KEA

RWIT 7A86 NL K2

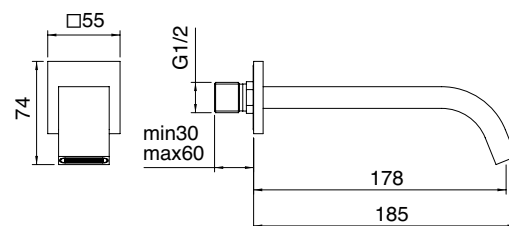


CC	IT 7A63 CC ZZ HF	164,00
NN	IT 7A63 NN ZZ HF	218,00
NL	IT 7A63 NL ZZ HF	214,00
NF	IT 7A63 NF ZZ HF	214,00
HH	IT 7A63 HH ZZ HF	253,00
CZ	IT 7A63 CZ ZZ HF	253,00
US	IT 7A63 US ZZ HF	253,00
UZ	IT 7A63 UZ ZZ HF	253,00
DD	IT 7A63 DD ZZ HF	340,00
DZ	IT 7A63 DZ ZZ HF	340,00
SZ	IT 7A63 SZ ZZ HF	340,00

Bocca a muro per vasca 178
Wall-mtd. spout for bathtub 178
Bec mural pour baignoire 178
Wandauslauf für Badewannen 178



ITRTAE135ZZ 20 l/min

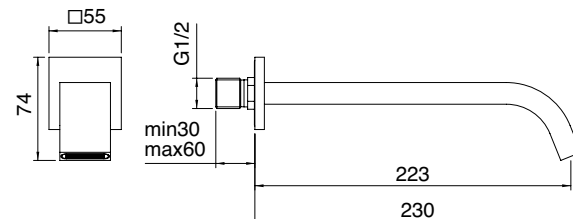


CC	IT 7A61 CC ZZ HF	179,00
NN	IT 7A61 NN ZZ HF	236,00
NL	IT 7A61 NL ZZ HF	231,00
NF	IT 7A61 NF ZZ HF	231,00
HH	IT 7A61 HH ZZ HF	273,00
CZ	IT 7A61 CZ ZZ HF	273,00
US	IT 7A61 US ZZ HF	273,00
UZ	IT 7A61 UZ ZZ HF	273,00
DD	IT 7A61 DD ZZ HF	369,00
DZ	IT 7A61 DZ ZZ HF	369,00
SZ	IT 7A61 SZ ZZ HF	369,00

Bocca a muro per vasca 223
Wall-mtd. spout for bathtub 223
Bec mural pour baignoire 223
Wandauslauf für Badewannen 223



ITRTAE135ZZ 20 l/min



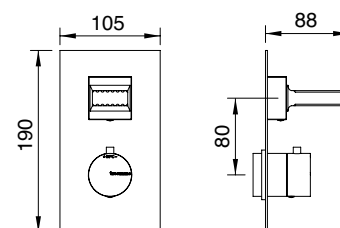
CC	RWIT 7A87 CC KO	248,00
NN	RWIT 7A87 NN KO	352,00
NL	RWIT 7A87 NL KO	347,00
NF	RWIT 7A87 NF KO	347,00
HH	RWIT 7A87 HH KO	426,00
CZ	RWIT 7A87 CZ KO	426,00
US	RWIT 7A87 US KO	426,00
UZ	RWIT 7A87 UZ KO	426,00
DD	RWIT 7A87 DD KO	547,00
DZ	RWIT 7A87 DZ KO	547,00
SZ	RWIT 7A87 SZ KO	547,00

Termostatico incasso 1 uscita
1 way concealed thermostatic
Thermostatique à encastrer avec 1 sortie
UP-Thermostat mit 1 Weg



ITRTVT175ZZ ITRTVT176ZZ RWIT7287_80 RWIT7287Z81

RWIT 7287 ZZ 30 458,00
+ PARTI INCASSO - CONCEALED BODY
CORPS À ENCASTRER - UNTERPUTZTEIL



34 l/min 2 IN - 1 OUT N° i15 N° 13 P_805



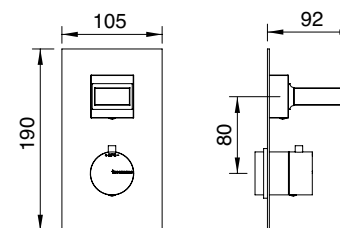
CC	RWIT 7A87 CC K_	303,00
NN	RWIT 7A87 NN K_	431,00
NL	RWIT 7A87 NL K_	425,00
NF	RWIT 7A87 NF K_	425,00
HH	RWIT 7A87 HH K_	522,00
CZ	RWIT 7A87 CZ K_	522,00
US	RWIT 7A87 US K_	522,00
UZ	RWIT 7A87 UZ K_	522,00
DD	RWIT 7A87 DD K_	670,00
DZ	RWIT 7A87 DZ K_	670,00
SZ	RWIT 7A87 SZ K_	670,00

Termostatico incasso 1 uscita
1 way concealed thermostatic
Thermostatique à encastrer avec 1 sortie
UP-Thermostat mit 1 Weg



ITRTVT175ZZ ITRTVT176ZZ RWIT7287_80 RWIT7287Z81

RWIT 7287 ZZ 30 458,00
+ PARTI INCASSO - CONCEALED BODY
CORPS À ENCASTRER - UNTERPUTZTEIL



34 l/min 2 IN - 1 OUT N° i15 N° 13 P_805 P_140

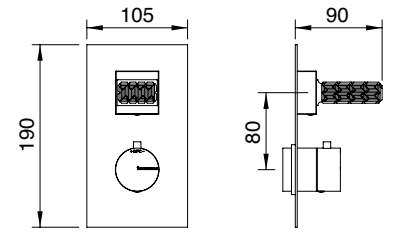


CC	RWIT 7A87 CC R_	281,00
NN	RWIT 7A87 NN R_	399,00
NL	RWIT 7A87 NL R_	393,00
NF	RWIT 7A87 NF R_	393,00
HH	RWIT 7A87 HH R_	483,00
CZ	RWIT 7A87 CZ R_	483,00
US	RWIT 7A87 US R_	483,00
UZ	RWIT 7A87 UZ R_	483,00
DD	RWIT 7A87 DD R_	621,00
DZ	RWIT 7A87 DZ R_	621,00
SZ	RWIT 7A87 SZ R_	621,00

Termostatico incasso 1 uscita
1 way concealed thermostatic
Thermostatique à encastrer avec 1 sortie
UP-Thermostat mit 1 Weg



RWIT 7287 ZZ 30 458,00
+ PARTI INCASSO - CONCEALED BODY
CORPS À ENCASTRER - UNTERPUTZTEIL

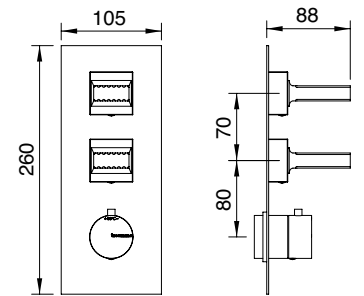


CC	RWIT 7A86 CC KO	371,00
NN	RWIT 7A86 NN KO	528,00
NL	RWIT 7A86 NL KO	520,00
NF	RWIT 7A86 NF KO	520,00
HH	RWIT 7A86 HH KO	639,00
CZ	RWIT 7A86 CZ KO	639,00
US	RWIT 7A86 US KO	639,00
UZ	RWIT 7A86 UZ KO	639,00
DD	RWIT 7A86 DD KO	820,00
DZ	RWIT 7A86 DZ KO	820,00
SZ	RWIT 7A86 SZ KO	820,00

Termostatico incasso 2 uscite
2 ways concealed thermostatic
Thermostatique à encastrer avec 2 sorties
UP-Thermostat mit 2 Wege



RWIT 7286 ZZ 30 680,00
+ PARTI INCASSO - CONCEALED BODY
CORPS À ENCASTRER - UNTERPUTZTEIL

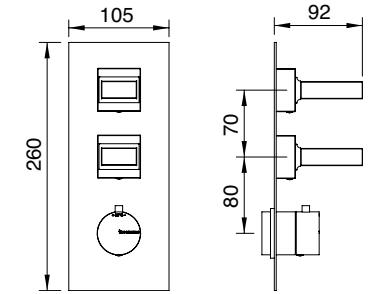


CC	RWIT 7A86 CC K_	483,00
NN	RWIT 7A86 NN K_	685,00
NL	RWIT 7A86 NL K_	676,00
NF	RWIT 7A86 NF K_	676,00
HH	RWIT 7A86 HH K_	830,00
CZ	RWIT 7A86 CZ K_	830,00
US	RWIT 7A86 US K_	830,00
UZ	RWIT 7A86 UZ K_	830,00
DD	RWIT 7A86 DD K_	1.067,00
DZ	RWIT 7A86 DZ K_	1.067,00
SZ	RWIT 7A86 SZ K_	1.067,00

Termostatico incasso 2 uscite
2 ways concealed thermostatic
Thermostatique à encastrer avec 2 sorties
UP-Thermostat mit 2 Wege



RWIT 7286 ZZ 30 680,00
+ PARTI INCASSO - CONCEALED BODY
CORPS À ENCASTRER - UNTERPUTZTEIL

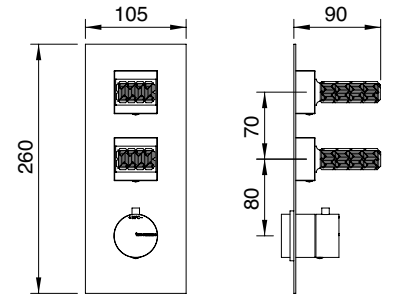


CC	RWIT 7A86 CC R_	437,00
NN	RWIT 7A86 NN R_	622,00
NL	RWIT 7A86 NL R_	612,00
NF	RWIT 7A86 NF R_	612,00
HH	RWIT 7A86 HH R_	752,00
CZ	RWIT 7A86 CZ R_	752,00
US	RWIT 7A86 US R_	752,00
UZ	RWIT 7A86 UZ R_	752,00
DD	RWIT 7A86 DD R_	967,00
DZ	RWIT 7A86 DZ R_	967,00
SZ	RWIT 7A86 SZ R_	967,00

Termostatico incasso 2 uscite
2 ways concealed thermostatic
Thermostatique à encastrer avec 2 sorties
UP-Thermostat mit 2 Wege



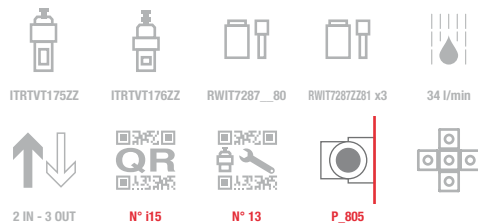
RWIT 7286 ZZ 30 680,00
+ PARTI INCASSO - CONCEALED BODY
CORPS À ENCASTRER - UNTERPUTZTEIL



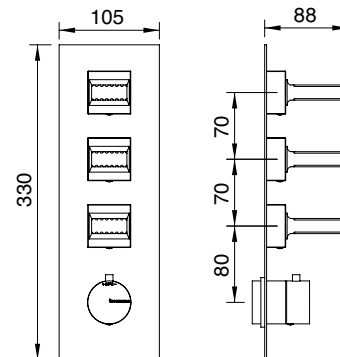


CC	RWIT 7A94 CC KO	504,00
NN	RWIT 7A94 NN KO	716,00
NL	RWIT 7A94 NL KO	706,00
NF	RWIT 7A94 NF KO	706,00
HH	RWIT 7A94 HH KO	868,00
CZ	RWIT 7A94 CZ KO	868,00
US	RWIT 7A94 US KO	868,00
UZ	RWIT 7A94 UZ KO	868,00
DD	RWIT 7A94 DD KO	1.114,00
DZ	RWIT 7A94 DZ KO	1.114,00
SZ	RWIT 7A94 SZ KO	1.114,00

Termostatico incasso 3 uscite
3 ways concealed thermostatic
Thermostatique à encastrer avec 3 sorties
UP-Thermostat mit 3 Wege

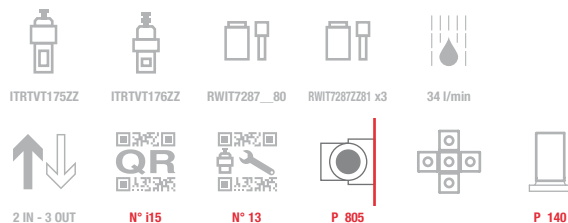


RWIT 7294 ZZ 30 855,00
+ PARTI INCASSO - CONCEALED BODY
CORPS À ENCASTRER - UNTERPUTZTEIL

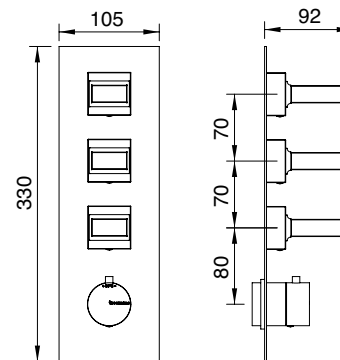


CC	RWIT 7A94 CC K_	671,00
NN	RWIT 7A94 NN K_	953,00
NL	RWIT 7A94 NL K_	940,00
NF	RWIT 7A94 NF K_	940,00
HH	RWIT 7A94 HH K_	1.154,00
CZ	RWIT 7A94 CZ K_	1.154,00
US	RWIT 7A94 US K_	1.154,00
UZ	RWIT 7A94 UZ K_	1.154,00
DD	RWIT 7A94 DD K_	1.483,00
DZ	RWIT 7A94 DZ K_	1.483,00
SZ	RWIT 7A94 SZ K_	1.483,00

Termostatico incasso 3 uscite
3 ways concealed thermostatic
Thermostatique à encastrer avec 3 sorties
UP-Thermostat mit 3 Wege

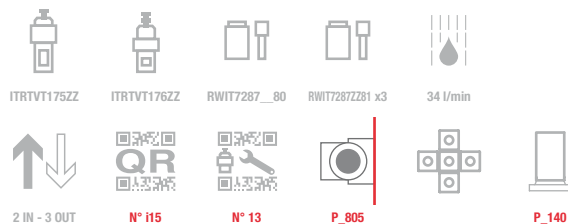


RWIT 7294 ZZ 30 855,00
+ PARTI INCASSO - CONCEALED BODY
CORPS À ENCASTRER - UNTERPUTZTEIL

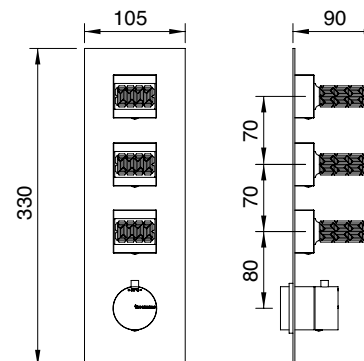


CC	RWIT 7A94 CC R_	603,00
NN	RWIT 7A94 NN R_	856,00
NL	RWIT 7A94 NL R_	844,00
NF	RWIT 7A94 NF R_	844,00
HH	RWIT 7A94 HH R_	1.038,00
CZ	RWIT 7A94 CZ R_	1.038,00
US	RWIT 7A94 US R_	1.038,00
UZ	RWIT 7A94 UZ R_	1.038,00
DD	RWIT 7A94 DD R_	1.332,00
DZ	RWIT 7A94 DZ R_	1.332,00
SZ	RWIT 7A94 SZ R_	1.332,00

Termostatico incasso 3 uscite
3 ways concealed thermostatic
Thermostatique à encastrer avec 3 sorties
UP-Thermostat mit 3 Wege



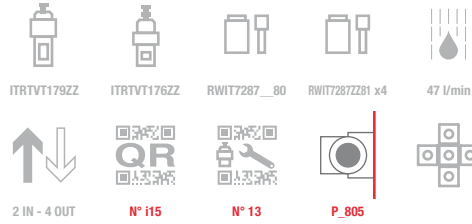
RWIT 7294 ZZ 30 855,00
+ PARTI INCASSO - CONCEALED BODY
CORPS À ENCASTRER - UNTERPUTZTEIL



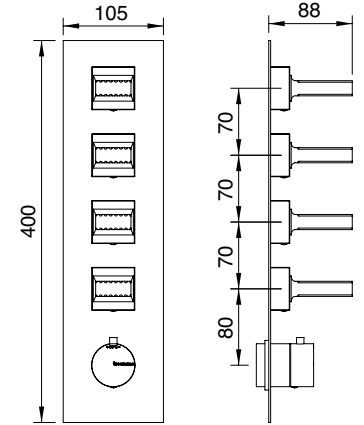


CC	RWIT 7A97 CC KO	597,00
NN	RWIT 7A97 NN KO	848,00
NL	RWIT 7A97 NL KO	836,00
NF	RWIT 7A97 NF KO	836,00
HH	RWIT 7A97 HH KO	1.026,00
CZ	RWIT 7A97 CZ KO	1.026,00
US	RWIT 7A97 US KO	1.026,00
UZ	RWIT 7A97 UZ KO	1.026,00
DD	RWIT 7A97 DD KO	1.319,00
DZ	RWIT 7A97 DZ KO	1.319,00
SZ	RWIT 7A97 SZ KO	1.319,00

Termostatico incasso 4 uscite
4 ways concealed thermostatic
Thermostatique à encastrer avec 4 sorties
UP-Thermostat mit 4 Wege

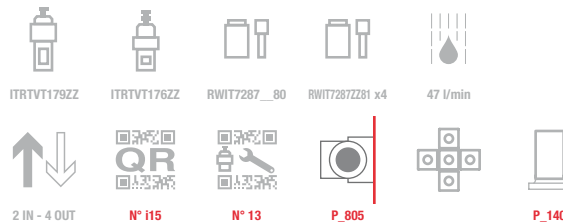


RWIT 7297 ZZ 30 1.030,00
+ PARTI INCASSO - CONCEALED BODY
CORPS À ENCASTRER - UNTERPUTZTEIL

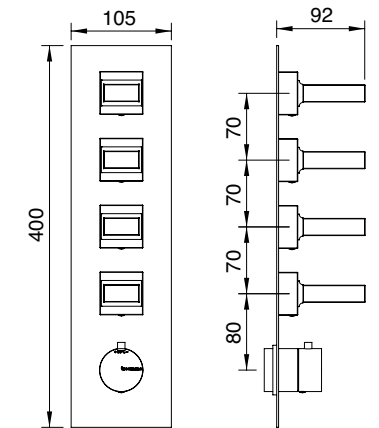


CC	RWIT 7A97 CC K_	819,00
NN	RWIT 7A97 NN K_	1.163,00
NL	RWIT 7A97 NL K_	1.147,00
NF	RWIT 7A97 NF K_	1.147,00
HH	RWIT 7A97 HH K_	1.410,00
CZ	RWIT 7A97 CZ K_	1.410,00
US	RWIT 7A97 US K_	1.410,00
UZ	RWIT 7A97 UZ K_	1.410,00
DD	RWIT 7A97 DD K_	1.810,00
DZ	RWIT 7A97 DZ K_	1.810,00
SZ	RWIT 7A97 SZ K_	1.810,00

Termostatico incasso 4 uscite
4 ways concealed thermostatic
Thermostatique à encastrer avec 4 sorties
UP-Thermostat mit 4 Wege

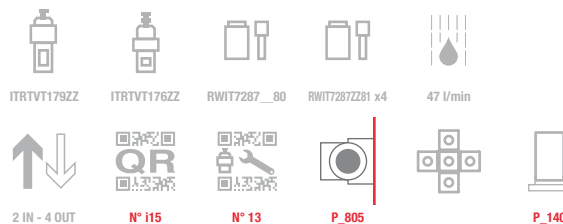


RWIT 7297 ZZ 30 1.030,00
+ PARTI INCASSO - CONCEALED BODY
CORPS À ENCASTRER - UNTERPUTZTEIL

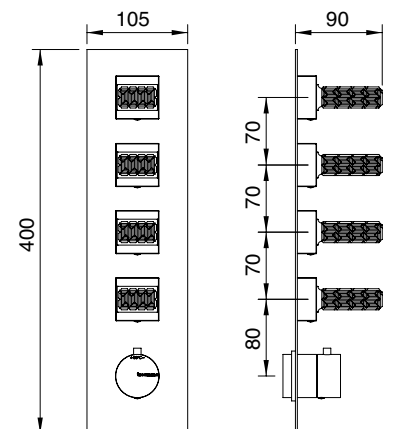


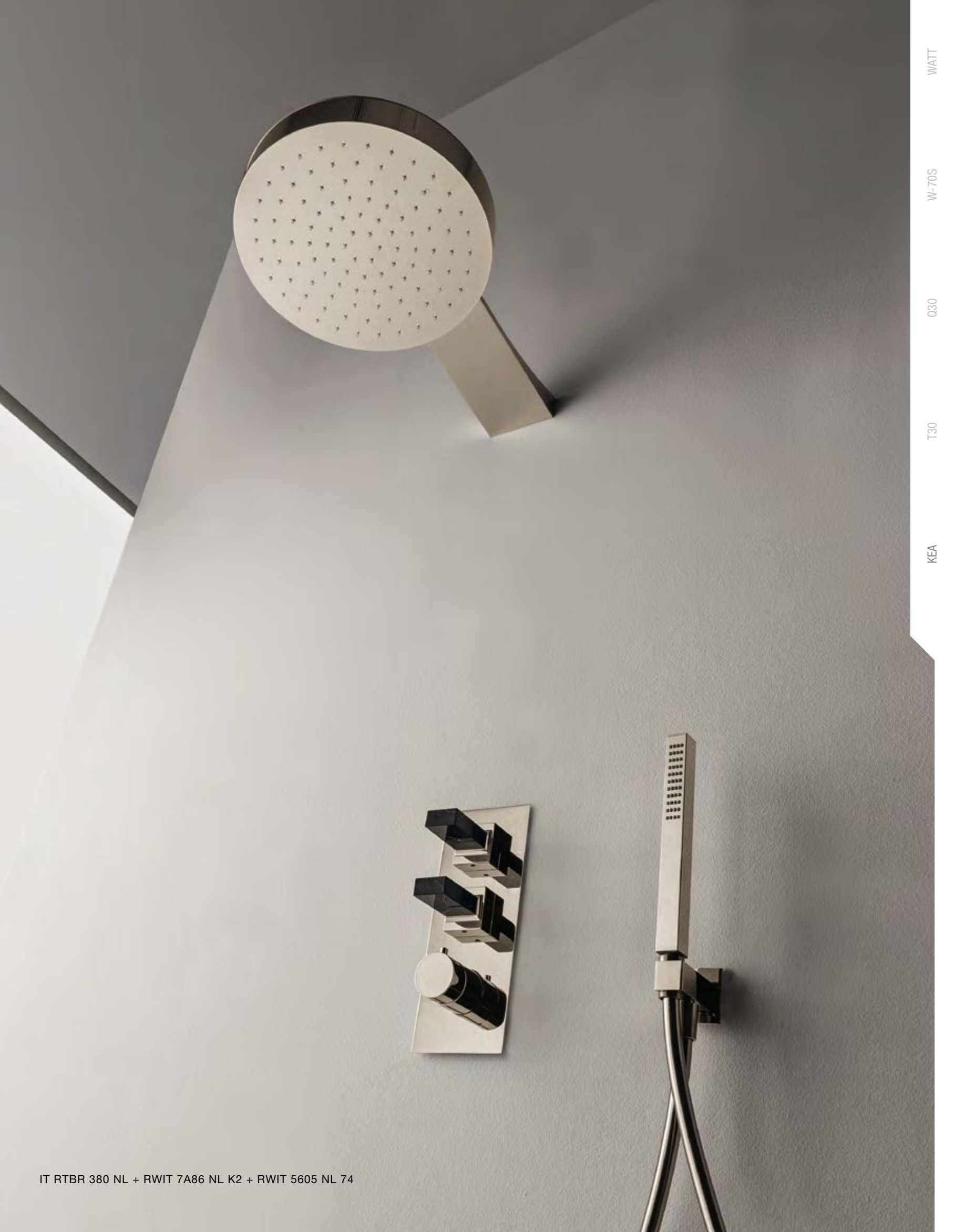
CC	RWIT 7A97 CC R_	729,00
NN	RWIT 7A97 NN R_	1.035,00
NL	RWIT 7A97 NL R_	1.020,00
NF	RWIT 7A97 NF R_	1.020,00
HH	RWIT 7A97 HH R_	1.254,00
CZ	RWIT 7A97 CZ R_	1.254,00
US	RWIT 7A97 US R_	1.254,00
UZ	RWIT 7A97 UZ R_	1.254,00
DD	RWIT 7A97 DD R_	1.610,00
DZ	RWIT 7A97 DZ R_	1.610,00
SZ	RWIT 7A97 SZ R_	1.610,00

Termostatico incasso 4 uscite
4 ways concealed thermostatic
Thermostatique à encastrer avec 4 sorties
UP-Thermostat mit 4 Wege



RWIT 7297 ZZ 30 1.030,00
+ PARTI INCASSO - CONCEALED BODY
CORPS À ENCASTRER - UNTERPUTZTEIL





IT RTBR 380 NL + RWIT 7A86 NL K2 + RWIT 5605 NL 74

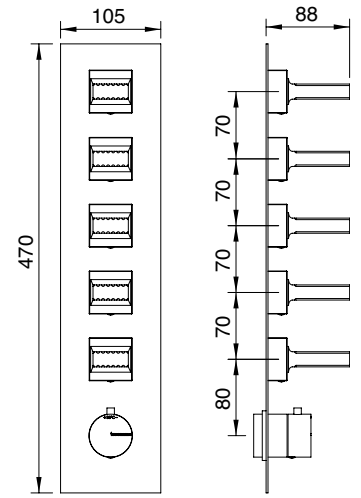


CC	RWIT 7A98 CC KO	720,00
NN	RWIT 7A98 NN KO	1.023,00
NL	RWIT 7A98 NL KO	1.009,00
NF	RWIT 7A98 NF KO	1.009,00
HH	RWIT 7A98 HH KO	1.240,00
CZ	RWIT 7A98 CZ KO	1.240,00
US	RWIT 7A98 US KO	1.240,00
UZ	RWIT 7A98 UZ KO	1.240,00
DD	RWIT 7A98 DD KO	1.592,00
DZ	RWIT 7A98 DZ KO	1.592,00
SZ	RWIT 7A98 SZ KO	1.592,00

Termostatico incasso 5 uscite
5 ways concealed thermostatic
Thermostatique à encastrer avec 5 sorties
UP-Thermostat mit 5 Wege

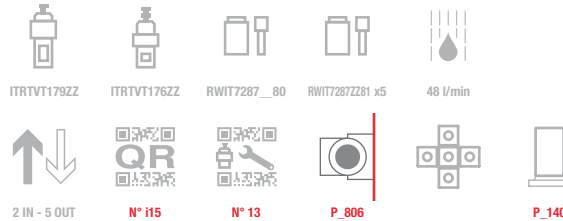


RWIT 7298 ZZ 30 1.205,00
+ PARTI INCASSO - CONCEALED BODY
CORPS À ENCASTRER - UNTERPUTZTEIL

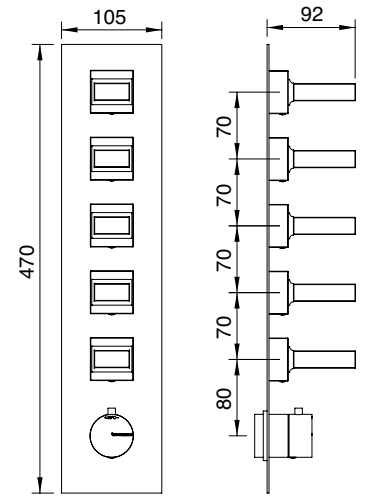


CC	RWIT 7A98 CC K_	999,00
NN	RWIT 7A98 NN K_	1.418,00
NL	RWIT 7A98 NL K_	1.398,00
NF	RWIT 7A98 NF K_	1.398,00
HH	RWIT 7A98 HH K_	1.718,00
CZ	RWIT 7A98 CZ K_	1.718,00
US	RWIT 7A98 US K_	1.718,00
UZ	RWIT 7A98 UZ K_	1.718,00
DD	RWIT 7A98 DD K_	2.207,00
DZ	RWIT 7A98 DZ K_	2.207,00
SZ	RWIT 7A98 SZ K_	2.207,00

Termostatico incasso 5 uscite
5 ways concealed thermostatic
Thermostatique à encastrer avec 5 sorties
UP-Thermostat mit 5 Wege

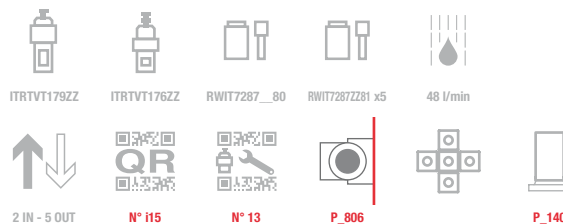


RWIT 7298 ZZ 30 1.205,00
+ PARTI INCASSO - CONCEALED BODY
CORPS À ENCASTRER - UNTERPUTZTEIL

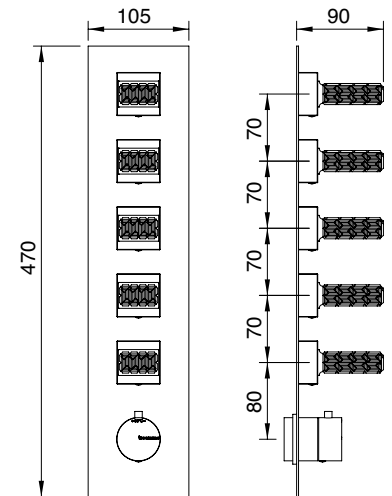


CC	RWIT 7A98 CC R_	885,00
NN	RWIT 7A98 NN R_	1.257,00
NL	RWIT 7A98 NL R_	1.240,00
NF	RWIT 7A98 NF R_	1.240,00
HH	RWIT 7A98 HH R_	1.523,00
CZ	RWIT 7A98 CZ R_	1.523,00
US	RWIT 7A98 US R_	1.523,00
UZ	RWIT 7A98 UZ R_	1.523,00
DD	RWIT 7A98 DD R_	1.956,00
DZ	RWIT 7A98 DZ R_	1.956,00
SZ	RWIT 7A98 SZ R_	1.956,00

Termostatico incasso 5 uscite
5 ways concealed thermostatic
Thermostatique à encastrer avec 5 sorties
UP-Thermostat mit 5 Wege



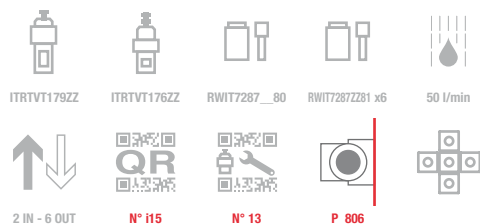
RWIT 7298 ZZ 30 1.205,00
+ PARTI INCASSO - CONCEALED BODY
CORPS À ENCASTRER - UNTERPUTZTEIL



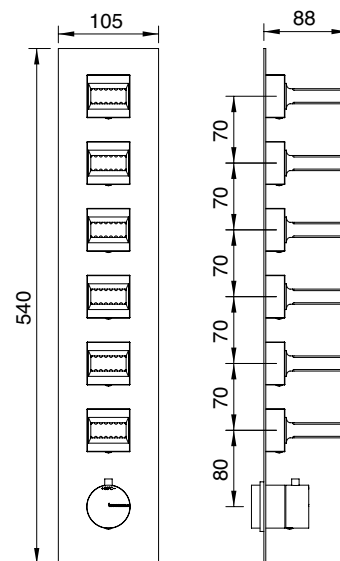


CC	RWIT 7A64 CC KO	855,00
NN	RWIT 7A64 NN KO	1.215,00
NL	RWIT 7A64 NL KO	1.197,00
NF	RWIT 7A64 NF KO	1.197,00
HH	RWIT 7A64 HH KO	1.471,00
CZ	RWIT 7A64 CZ KO	1.471,00
US	RWIT 7A64 US KO	1.471,00
UZ	RWIT 7A64 UZ KO	1.471,00
DD	RWIT 7A64 DD KO	1.891,00
DZ	RWIT 7A64 DZ KO	1.891,00
SZ	RWIT 7A64 SZ KO	1.891,00

Termostatico incasso 6 uscite
6 ways concealed thermostatic
Thermostatique à encastrer avec 6 sorties
UP-Thermostat mit 6 Wege



RWIT 7264 ZZ 30 1.380,00
+ PARTI INCASSO - CONCEALED BODY
CORPS À ENCASTRER - UNTERPUTZTEIL

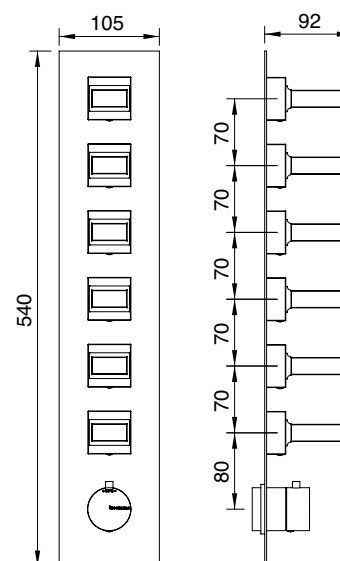


CC	RWIT 7A64 CC K_	1.189,00
NN	RWIT 7A64 NN K_	1.689,00
NL	RWIT 7A64 NL K_	1.665,00
NF	RWIT 7A64 NF K_	1.665,00
HH	RWIT 7A64 HH K_	2.045,00
CZ	RWIT 7A64 CZ K_	2.045,00
US	RWIT 7A64 US K_	2.045,00
UZ	RWIT 7A64 UZ K_	2.045,00
DD	RWIT 7A64 DD K_	2.628,00
DZ	RWIT 7A64 DZ K_	2.628,00
SZ	RWIT 7A64 SZ K_	2.628,00

Termostatico incasso 6 uscite
6 ways concealed thermostatic
Thermostatique à encastrer avec 6 sorties
UP-Thermostat mit 6 Wege



RWIT 7264 ZZ 30 1.380,00
+ PARTI INCASSO - CONCEALED BODY
CORPS À ENCASTRER - UNTERPUTZTEIL

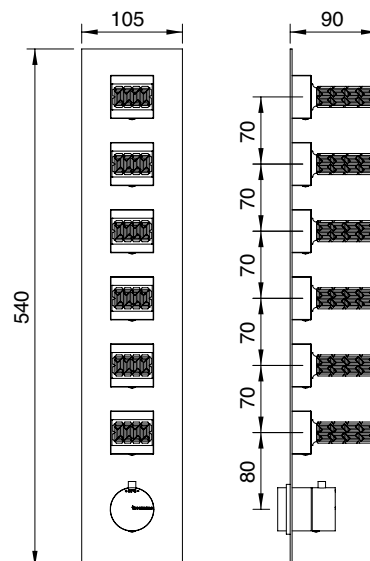


CC	RWIT 7A64 CC R_	1.053,00
NN	RWIT 7A64 NN R_	1.496,00
NL	RWIT 7A64 NL R_	1.474,00
NF	RWIT 7A64 NF R_	1.474,00
HH	RWIT 7A64 HH R_	1.811,00
CZ	RWIT 7A64 CZ R_	1.811,00
US	RWIT 7A64 US R_	1.811,00
UZ	RWIT 7A64 UZ R_	1.811,00
DD	RWIT 7A64 DD R_	2.327,00
DZ	RWIT 7A64 DZ R_	2.327,00
SZ	RWIT 7A64 SZ R_	2.327,00

Termostatico incasso 6 uscite
6 ways concealed thermostatic
Thermostatique à encastrer avec 6 sorties
UP-Thermostat mit 6 Wege



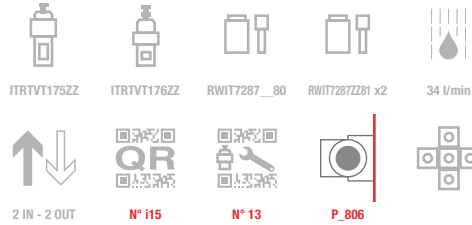
RWIT 7264 ZZ 30 1.380,00
+ PARTI INCASSO - CONCEALED BODY
CORPS À ENCASTRER - UNTERPUTZTEIL



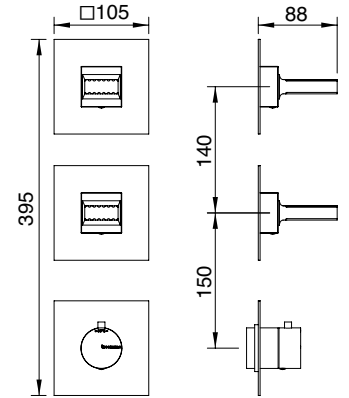


CC	RWIT 7A74 CC KO	438,00
NN	RWIT 7A74 NN KO	623,00
NL	RWIT 7A74 NL KO	613,00
NF	RWIT 7A74 NF KO	613,00
HH	RWIT 7A74 HH KO	753,00
CZ	RWIT 7A74 CZ KO	753,00
US	RWIT 7A74 US KO	753,00
UZ	RWIT 7A74 UZ KO	753,00
DD	RWIT 7A74 DD KO	969,00
DZ	RWIT 7A74 DZ KO	969,00
SZ	RWIT 7A74 SZ KO	969,00

Termostatico incasso 2 uscite
2 ways concealed thermostatic
Thermostatique à encastrer avec 2 sorties
UP-Thermostat mit 2 Wege

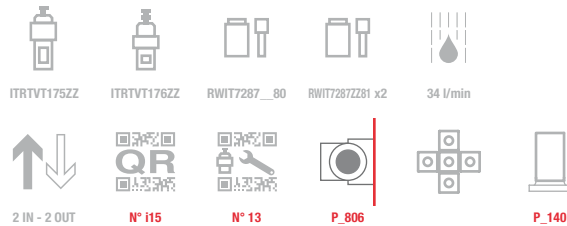


RWIT 7274 ZZ 40 762,00
+ PARTI INCASSO - CONCEALED BODY
CORPS À ENCASTRER - UNTERPUTZTEIL

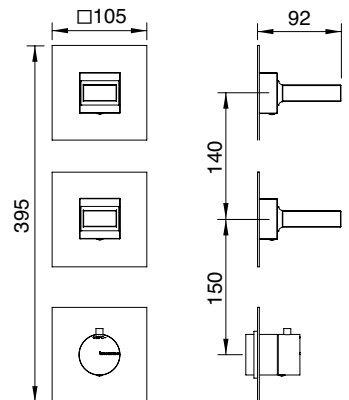


CC	RWIT 7A74 CC K_	652,00
NN	RWIT 7A74 NN K_	926,00
NL	RWIT 7A74 NL K_	914,00
NF	RWIT 7A74 NF K_	914,00
HH	RWIT 7A74 HH K_	1.122,00
CZ	RWIT 7A74 CZ K_	1.122,00
US	RWIT 7A74 US K_	1.122,00
UZ	RWIT 7A74 UZ K_	1.122,00
DD	RWIT 7A74 DD K_	1.441,00
DZ	RWIT 7A74 DZ K_	1.441,00
SZ	RWIT 7A74 SZ K_	1.441,00

Termostatico incasso 2 uscite
2 ways concealed thermostatic
Thermostatique à encastrer avec 2 sorties
UP-Thermostat mit 2 Wege



RWIT 7274 ZZ 40 762,00
+ PARTI INCASSO - CONCEALED BODY
CORPS À ENCASTRER - UNTERPUTZTEIL

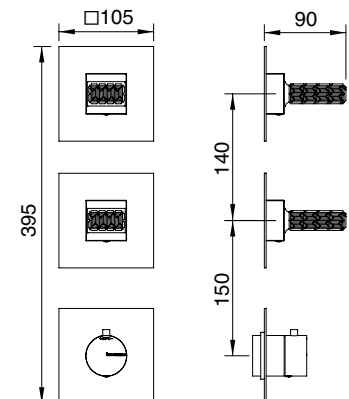


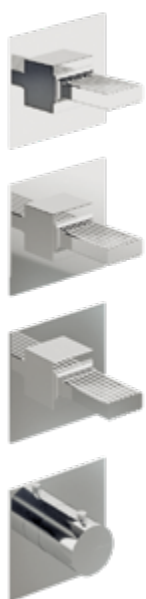
CC	RWIT 7A74 CC R_	560,00
NN	RWIT 7A74 NN R_	796,00
NL	RWIT 7A74 NL R_	784,00
NF	RWIT 7A74 NF R_	784,00
HH	RWIT 7A74 HH R_	963,00
CZ	RWIT 7A74 CZ R_	963,00
US	RWIT 7A74 US R_	963,00
UZ	RWIT 7A74 UZ R_	963,00
DD	RWIT 7A74 DD R_	1.238,00
DZ	RWIT 7A74 DZ R_	1.238,00
SZ	RWIT 7A74 SZ R_	1.238,00

Termostatico incasso 2 uscite
2 ways concealed thermostatic
Thermostatique à encastrer avec 2 sorties
UP-Thermostat mit 2 Wege



RWIT 7274 ZZ 40 762,00
+ PARTI INCASSO - CONCEALED BODY
CORPS À ENCASTRER - UNTERPUTZTEIL



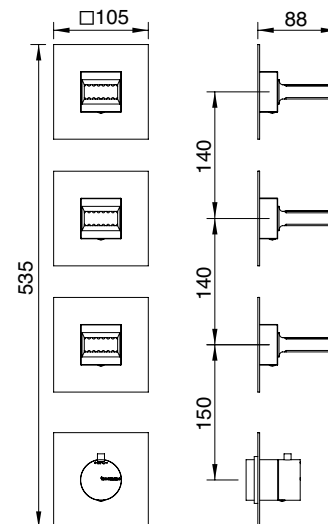


CC	RWIT 7A75 CC KO	567,00
NN	RWIT 7A75 NN KO	805,00
NL	RWIT 7A75 NL KO	794,00
NF	RWIT 7A75 NF KO	794,00
HH	RWIT 7A75 HH KO	975,00
CZ	RWIT 7A75 CZ KO	975,00
US	RWIT 7A75 US KO	975,00
UZ	RWIT 7A75 UZ KO	975,00
DD	RWIT 7A75 DD KO	1.253,00
DZ	RWIT 7A75 DZ KO	1.253,00
SZ	RWIT 7A75 SZ KO	1.253,00

Termostatico incasso 3 uscite
3 ways concealed thermostatic
Thermostatique à encastrer avec 3 sorties
UP-Thermostat mit 3 Wege

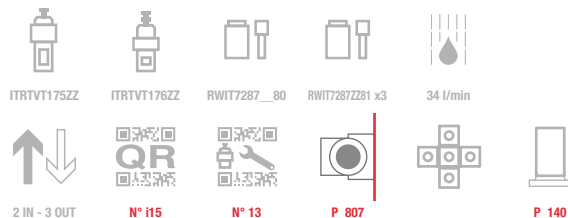


RWIT 7275 ZZ 40 937,00
+ PARTI INCASSO - CONCEALED BODY
CORPS À ENCASTRER - UNTERPUTZTEIL

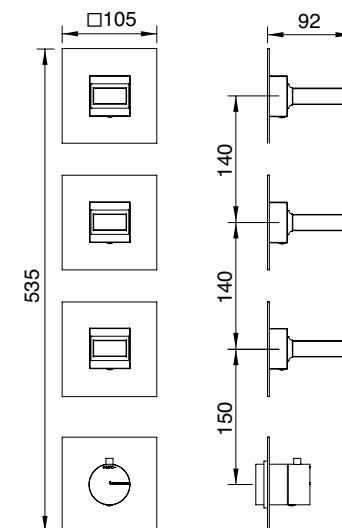


CC	RWIT 7A75 CC K_	888,00
NN	RWIT 7A75 NN K_	1.262,00
NL	RWIT 7A75 NL K_	1.244,00
NF	RWIT 7A75 NF K_	1.244,00
HH	RWIT 7A75 HH K_	1.528,00
CZ	RWIT 7A75 CZ K_	1.528,00
US	RWIT 7A75 US K_	1.528,00
UZ	RWIT 7A75 UZ K_	1.528,00
DD	RWIT 7A75 DD K_	1.964,00
DZ	RWIT 7A75 DZ K_	1.964,00
SZ	RWIT 7A75 SZ K_	1.964,00

Termostatico incasso 3 uscite
3 ways concealed thermostatic
Thermostatique à encastrer avec 3 sorties
UP-Thermostat mit 3 Wege



RWIT 7275 ZZ 40 937,00
+ PARTI INCASSO - CONCEALED BODY
CORPS À ENCASTRER - UNTERPUTZTEIL

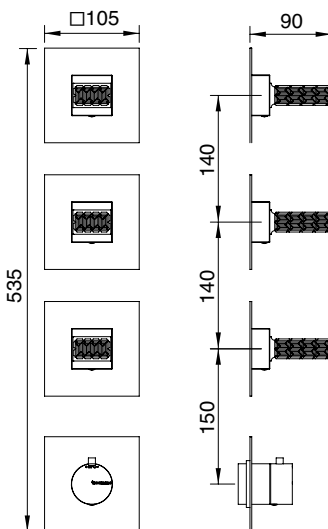


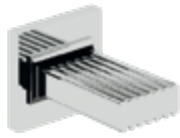
CC	RWIT 7A75 CC R_	749,00
NN	RWIT 7A75 NN R_	1.064,00
NL	RWIT 7A75 NL R_	1.049,00
NF	RWIT 7A75 NF R_	1.049,00
HH	RWIT 7A75 HH R_	1.289,00
CZ	RWIT 7A75 CZ R_	1.289,00
US	RWIT 7A75 US R_	1.289,00
UZ	RWIT 7A75 UZ R_	1.289,00
DD	RWIT 7A75 DD R_	1.656,00
DZ	RWIT 7A75 DZ R_	1.656,00
SZ	RWIT 7A75 SZ R_	1.656,00

Termostatico incasso 3 uscite
3 ways concealed thermostatic
Thermostatique à encastrer avec 3 sorties
UP-Thermostat mit 3 Wege



RWIT 7275 ZZ 40 937,00
+ PARTI INCASSO - CONCEALED BODY
CORPS À ENCASTRER - UNTERPUTZTEIL





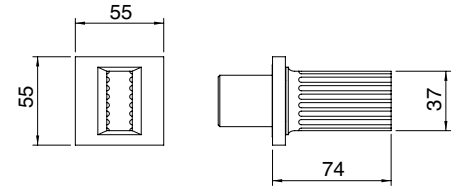
CC	RWIT 7A40 CC KO	159,00
NN	RWIT 7A40 NN KO	225,00
NL	RWIT 7A40 NL KO	222,00
NF	RWIT 7A40 NF KO	222,00
HH	RWIT 7A40 HH KO	272,00
CZ	RWIT 7A40 CZ KO	272,00
US	RWIT 7A40 US KO	272,00
UZ	RWIT 7A40 UZ KO	272,00
DD	RWIT 7A40 DD KO	351,00
DZ	RWIT 7A40 DZ KO	351,00
SZ	RWIT 7A40 SZ KO	351,00

Rubinetto d'arresto 1/2"
1/2" concealed stop valve
Robinet d'arrêt 1/2"
UP-Ventil 1/2"



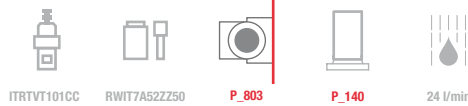
RWIT 7A40 ZZ 02 87,00

+ PARTI INCASSO - CONCEALED BODY
CORPS À ENCASTRER - UNTERPUTZTEIL



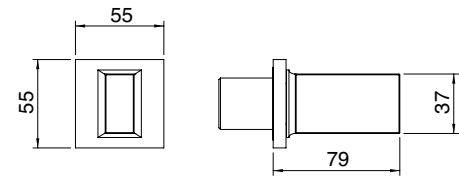
CC	RWIT 7A40 CC K_	217,00
NN	RWIT 7A40 NN K_	306,00
NL	RWIT 7A40 NL K_	302,00
NF	RWIT 7A40 NF K_	302,00
HH	RWIT 7A40 HH K_	371,00
CZ	RWIT 7A40 CZ K_	371,00
US	RWIT 7A40 US K_	371,00
UZ	RWIT 7A40 UZ K_	371,00
DD	RWIT 7A40 DD K_	477,00
DZ	RWIT 7A40 DZ K_	477,00
SZ	RWIT 7A40 SZ K_	477,00

Rubinetto d'arresto 1/2"
1/2" concealed stop valve
Robinet d'arrêt 1/2"
UP-Ventil 1/2"



RWIT 7A40 ZZ 01 87,00

+ PARTI INCASSO - CONCEALED BODY
CORPS À ENCASTRER - UNTERPUTZTEIL



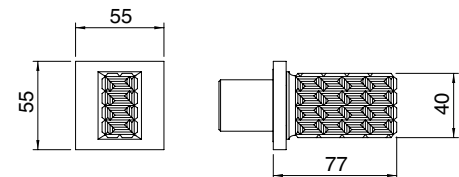
CC	RWIT 7A40 CC R_	193,00
NN	RWIT 7A40 NN R_	273,00
NL	RWIT 7A40 NL R_	270,00
NF	RWIT 7A40 NF R_	270,00
HH	RWIT 7A40 HH R_	331,00
CZ	RWIT 7A40 CZ R_	331,00
US	RWIT 7A40 US R_	331,00
UZ	RWIT 7A40 UZ R_	331,00
DD	RWIT 7A40 DD R_	426,00
DZ	RWIT 7A40 DZ R_	426,00
SZ	RWIT 7A40 SZ R_	426,00

Rubinetto d'arresto 1/2"
1/2" concealed stop valve
Robinet d'arrêt 1/2"
UP-Ventil 1/2"



RWIT 7A40 ZZ 01 87,00

+ PARTI INCASSO - CONCEALED BODY
CORPS À ENCASTRER - UNTERPUTZTEIL



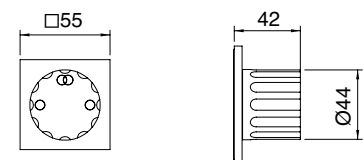
CC	RWIT 7AD5 CC 01	125,00
NN	RWIT 7AD5 NN 01	178,00
NL	RWIT 7AD5 NL 01	175,00
NF	RWIT 7AD5 NF 01	175,00
HH	RWIT 7AD5 HH 01	215,00
CZ	RWIT 7AD5 CZ 01	215,00
US	RWIT 7AD5 US 01	215,00
UZ	RWIT 7AD5 UZ 01	215,00
DD	RWIT 7AD5 DD 01	276,00
DZ	RWIT 7AD5 DZ 01	276,00
SZ	RWIT 7AD5 SZ 01	276,00

Deviatore incasso 2 uscite
2 ways concealed diverter
Inverseur à encastrer à 2 sorties
2 Wege UP- Umsteller



RWIT 7AD5 ZZ 01 200,00

+ PARTI INCASSO - CONCEALED BODY
CORPS À ENCASTRER - UNTERPUTZTEIL





IT RTBR 380 NL

KEA

T30

Q30

W-70S

WATT



CC	RWIT 7AD6 CC 01	135,00
NN	RWIT 7AD6 NN 01	192,00
NL	RWIT 7AD6 NL 01	190,00
NF	RWIT 7AD6 NF 01	190,00
HH	RWIT 7AD6 HH 01	232,00
CZ	RWIT 7AD6 CZ 01	232,00
US	RWIT 7AD6 US 01	232,00
UZ	RWIT 7AD6 UZ 01	232,00
DD	RWIT 7AD6 DD 01	299,00
DZ	RWIT 7AD6 DZ 01	299,00
SZ	RWIT 7AD6 SZ 01	299,00

Deviatore incasso 3 uscite
3 ways concealed diverter
Inverseur à encastrer à 3 sorties
3 Wege UP- Umsteller



ITRTVT190ZZ



RWIT7287ZZ81



24 l/min



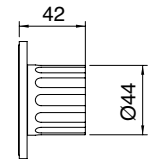
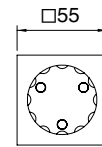
N° 15

RWIT 7AD5 ZZ 01 200,00

**+ PARTI INCASSO - CONCEALED BODY
CORPS À ENCASTRER - UNTERPUTZTEIL**



P_791



CC	IT RTBR 380 CC	903,00
NN	IT RTBR 380 NN	1.200,00
NL	IT RTBR 380 NL	1.174,00
NF	IT RTBR 380 NF	1.174,00
HH	IT RTBR 380 HH	1.390,00
CZ	IT RTBR 380 CZ	1.390,00
US	IT RTBR 380 US	1.390,00
UZ	IT RTBR 380 UZ	1.390,00
DD	IT RTBR 380 DD	1.877,00
DZ	IT RTBR 380 DZ	1.877,00
SZ	IT RTBR 380 SZ	1.877,00

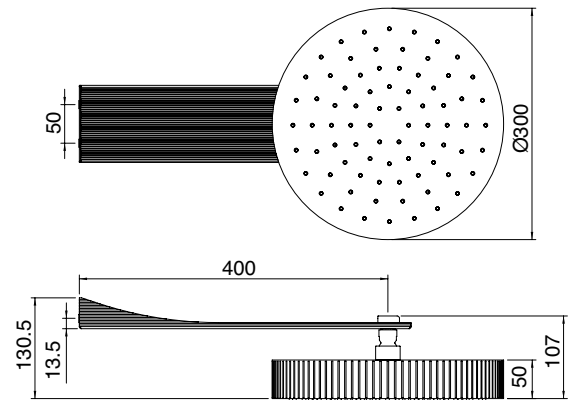
Soffione a parete anticalcare
Anti-limescale shower-head
Douche de tête anticalcaire avec bras mural
Antikalk Kopfbrause mit Arm



METAL
Ø300 mm



9 l/min



CC	IT RTBR 376 CC	530,00
NN	IT RTBR 376 NN	705,00
NL	IT RTBR 376 NL	690,00
NF	IT RTBR 376 NF	690,00
HH	IT RTBR 376 HH	817,00
CZ	IT RTBR 376 CZ	817,00
US	IT RTBR 376 US	817,00
UZ	IT RTBR 376 UZ	817,00
DD	IT RTBR 376 DD	1.103,00
DZ	IT RTBR 376 DZ	1.103,00
SZ	IT RTBR 376 SZ	1.103,00

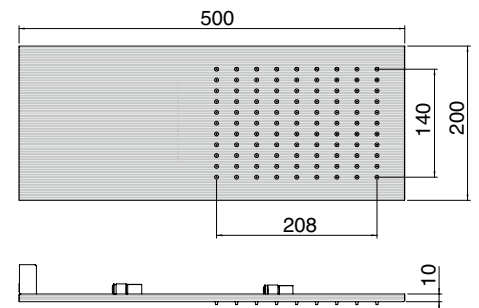
Soffione a parete
Shower-head
Douche
Regenbrause



METAL
500x200 mm



9 l/min



CC	IT RTBR 366 CC	705,00
NN	IT RTBR 366 NN	939,00
NL	IT RTBR 366 NL	917,00
NF	IT RTBR 366 NF	917,00
HH	IT RTBR 366 HH	1.118,00
CZ	IT RTBR 366 CZ	1.118,00
US	IT RTBR 366 US	1.118,00
UZ	IT RTBR 366 UZ	1.118,00
DD	IT RTBR 366 DD	1.467,00
DZ	IT RTBR 366 DZ	1.467,00
SZ	IT RTBR 366 SZ	1.467,00

Soffione a parete con cascata
Shower-head with cascade
Douche avec cascade
Regenbrause mit Wasserfall



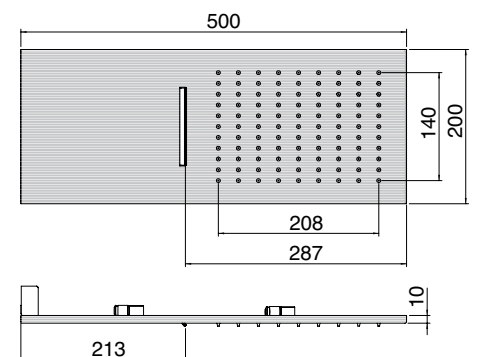
METAL
500x200 mm

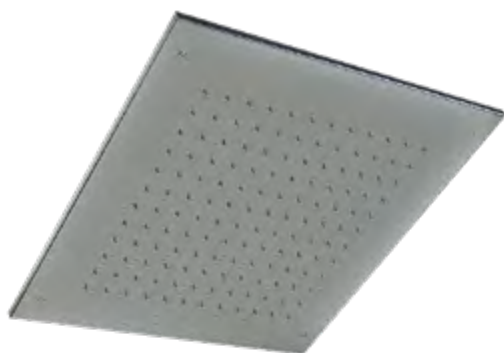


9 l/min



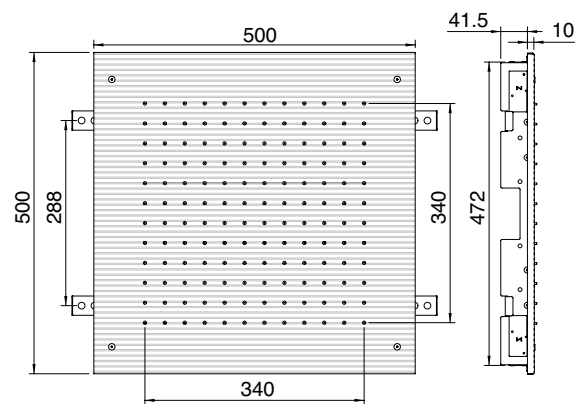
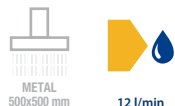
15 l/min





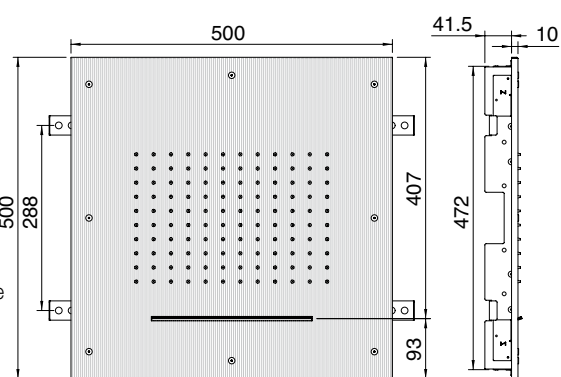
CC	IT RTBR 364 CC	1.350,00
NN	IT RTBR 364 NN	1.795,00
NL	IT RTBR 364 NL	1.755,00
NF	IT RTBR 364 NF	1.755,00
HH	IT RTBR 364 HH	2.078,00
CZ	IT RTBR 364 CZ	2.078,00
US	IT RTBR 364 US	2.078,00
UZ	IT RTBR 364 UZ	2.078,00
DD	IT RTBR 364 DD	2.806,00
DZ	IT RTBR 364 DZ	2.806,00
SZ	IT RTBR 364 SZ	2.806,00

Soffione a soffitto ad incasso
 Concealed shower-head
 Douche de tête à encastrer, fixation au plafond
 UP-Kopfbrause



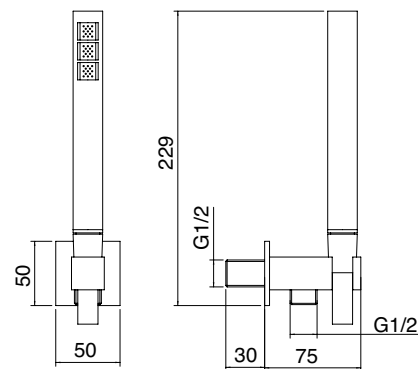
CC	IT RTBR 377 CC	1.659,00
NN	IT RTBR 377 NN	2.207,00
NL	IT RTBR 377 NL	2.156,00
NF	IT RTBR 377 NF	2.156,00
HH	IT RTBR 377 HH	2.556,00
CZ	IT RTBR 377 CZ	2.556,00
US	IT RTBR 377 US	2.556,00
UZ	IT RTBR 377 UZ	2.556,00
DD	IT RTBR 377 DD	3.451,00
DZ	IT RTBR 377 DZ	3.451,00
SZ	IT RTBR 377 SZ	3.451,00

Soffione a soffitto ad incasso con pioggia e cascata
 Concealed showerhead with rain and cascade
 Douche de tête à encastrer, fixation au plafond, pluie et cascade
 UP Brause mit Regen und Wasserfall



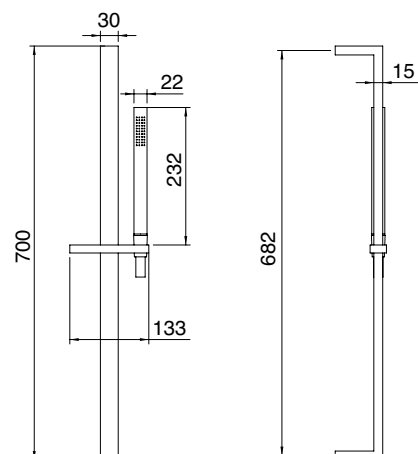
CC	RWIT 5605 CC 74	182,00
NN	RWIT 5605 NN 74	254,00
NL	RWIT 5605 NL 74	244,00
NF	RWIT 5605 NF 74	244,00
HH	RWIT 5605 HH 74	278,00
CZ	RWIT 5605 CZ 74	278,00
US	RWIT 5605 US 74	278,00
UZ	RWIT 5605 UZ 74	278,00
DD	RWIT 5605 DD 74	366,00
DZ	RWIT 5605 DZ 74	374,00
SZ	RWIT 5605 SZ 74	374,00

Kit gancio, flessibile, doccia
 Hook, flexible and hand shower kit
 Kit support, flexible et douche
 Brausehalter, Schlauch und Handbrause



CC	IT 0411 CC ZZ ZZ	279,00
NN	IT 0411 NN ZZ ZZ	380,00
NL	IT 0411 NL ZZ ZZ	374,00
NF	IT 0411 NF ZZ ZZ	374,00
HH	IT 0411 HH ZZ ZZ	430,00
CZ	IT 0411 CZ ZZ ZZ	430,00
US	IT 0411 US ZZ ZZ	430,00
UZ	IT 0411 UZ ZZ ZZ	430,00
DD	IT 0411 DD ZZ ZZ	554,00
DZ	IT 0411 DZ ZZ ZZ	578,00
SZ	IT 0411 SZ ZZ ZZ	578,00

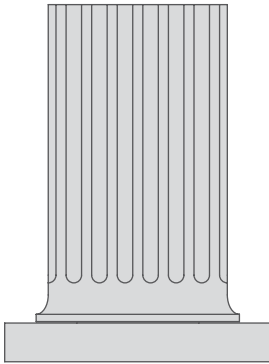
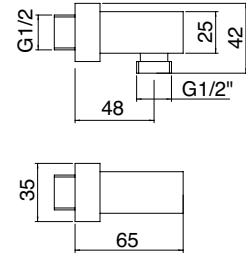
Kit saliscendi senza presa acqua
 Sliding-bar kit without wall hose outlet
 Barre coulissante sans coude mural
 Gleitstange ohne Wandanschlussbogen



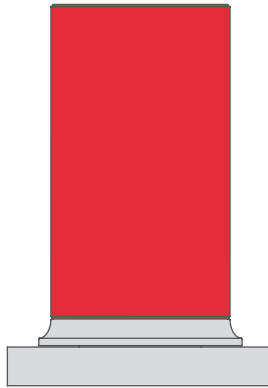


CC	IT RTGA 119 CC	39,00
NN	IT RTGA 119 NN	50,00
NL	IT RTGA 119 NL	51,00
NF	IT RTGA 119 NF	51,00
HH	IT RTGA 119 HH	58,00
CZ	IT RTGA 119 CZ	58,00
US	IT RTGA 119 US	58,00
UZ	IT RTGA 119 UZ	58,00
DD	IT RTGA 119 DD	73,00
DZ	IT RTGA 119 DZ	79,00
SZ	IT RTGA 119 SZ	79,00

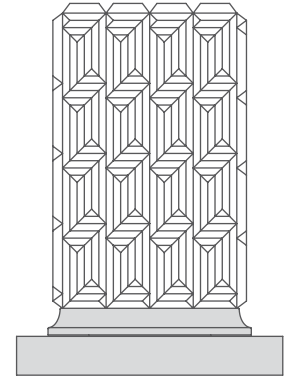
Presca acqua a muro
Wall hose outlet
Coude mural
Wandanschlussbogen

**KO**

Maniglia ottone
Brass handle
Manette en laiton
Messinggriff

**K_**

Maniglia marmo
Marble handle
Manette en marbre
Marmorgriff

**R_**

Maniglia cristallo
Crystal handle
Manette en cristal
Kristallgriff

K_ =**K1**

Marmo Avorio Segesta
Segesta ivory marble
Marbre ivoire Segesta
Segesta Elfenbein Marmor

**K2**

Marmo Portoro
Portoro marble
Marbre Portoro
Portoro Marmor

**K3**

Marmo Red Jasper
Red Jasper marble
Marbre Jasper Rouge
Roter Jaspis Marmor

**K6**

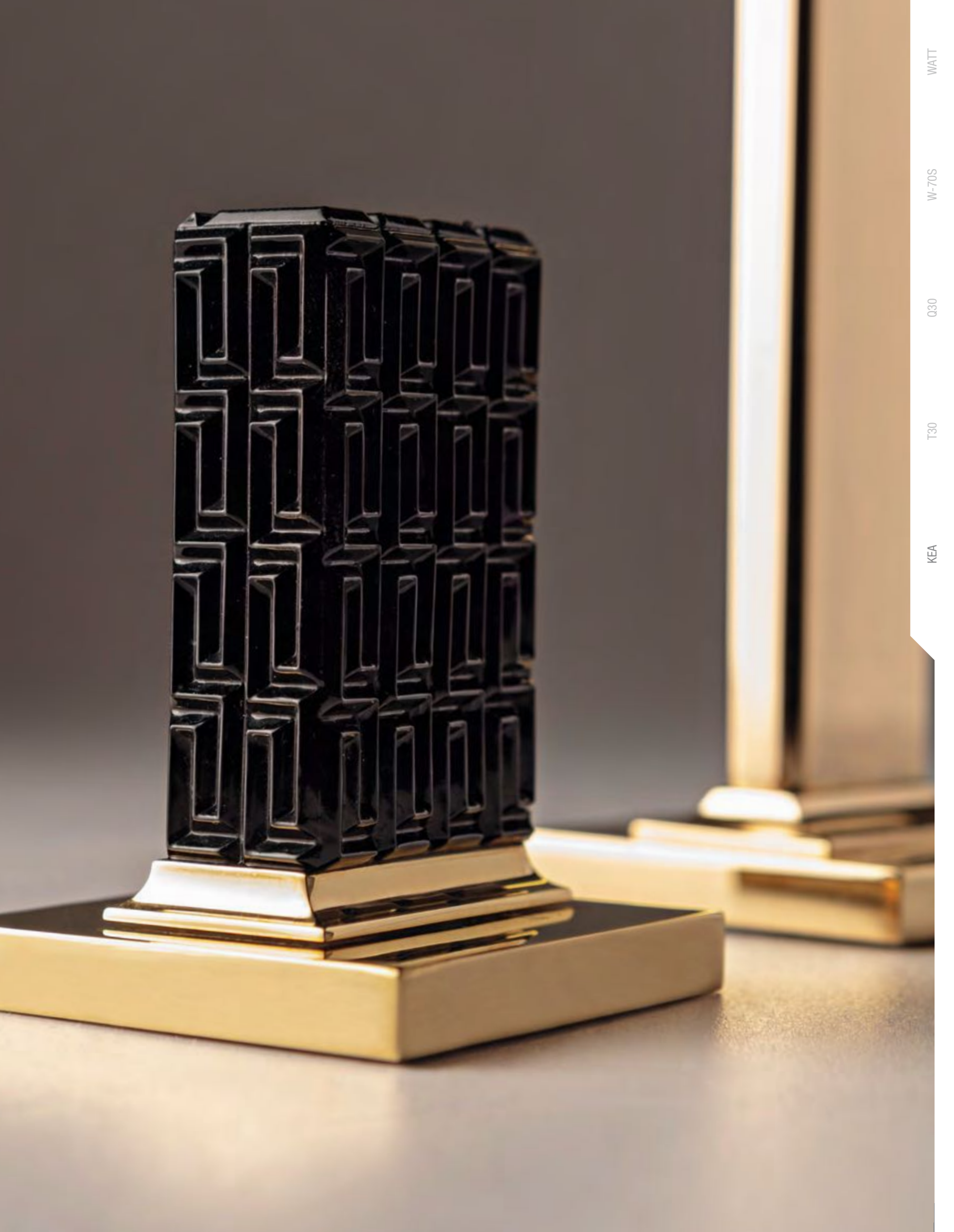
Marmo Verde Ming
Green Ming marble
Marbre Vert Ming
Grüner Ming Marmor

R_ =**RO**

Cristallo trasparente
Crystal
Cristal
Kristall

**R2**

Cristallo nero lucido
Black Crystal
Cristal Noir
Schwarzer Kristall



Per ulteriori composizioni doccia vedi sezione SHOWERS & THERMOSTATICS

For other shower fittings check the SHOWERS & THERMOSTATICS section

Pour d'autres solutions douche voir section SHOWERS & THERMOSTATICS

Für weitere duschaustattungen siehe abschnitt SHOWERS & THERMOSTATICS

IOS

design by Marco Pisati & Giampiero Castagnoli



- chrome **CC**
- matt black **NN**
- polished nickel **NL**
- brushed nickel **NF**
- polished black chrome **HH**
- brushed black chrome **CZ**
- brushed bronze **US**
- brushed brass **UZ**
- gold **DD**
- brushed gold **DZ**
- brushed rose gold **SZ**

WATT

W-70S

Q30

T30

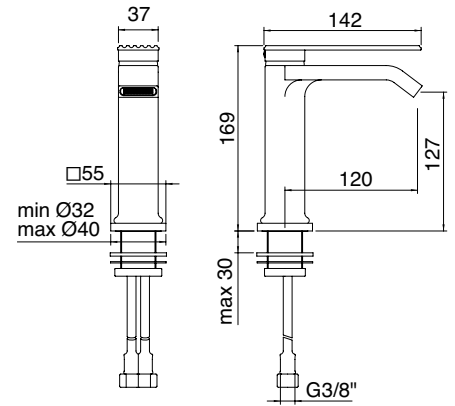
KEA

IOS



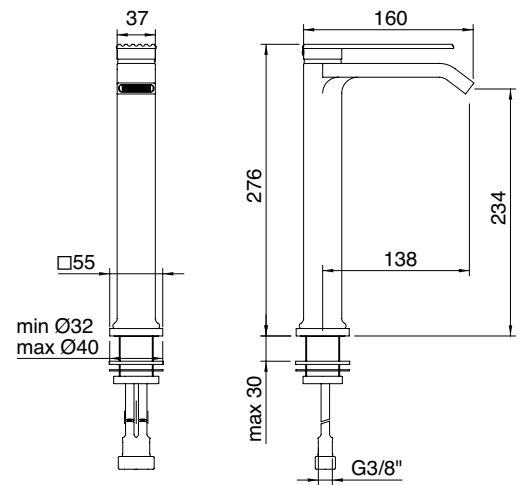
CC	IT 2A11 CC RM ZZ	259,00
NN	IT 2A11 NN RM ZZ	343,00
NL	IT 2A11 NL RM ZZ	336,00
NF	IT 2A11 NF RM ZZ	336,00
HH	IT 2A11 HH RM ZZ	398,00
CZ	IT 2A11 CZ RM ZZ	398,00
US	IT 2A11 US RM ZZ	398,00
UZ	IT 2A11 UZ RM ZZ	398,00
DD	IT 2A11 DD RM ZZ	537,00
DZ	IT 2A11 DZ RM ZZ	537,00
SZ	IT 2A11 SZ RM ZZ	537,00

Miscelatore monocomando lavabo 127
Washbasin mixer 127
Mitigeur lavabo 127
Einhand-Waschtischmischer 127



CC	IT 2A18 CC RM ZZ	303,00
NN	IT 2A18 NN RM ZZ	403,00
NL	IT 2A18 NL RM ZZ	394,00
NF	IT 2A18 NF RM ZZ	394,00
HH	IT 2A18 HH RM ZZ	467,00
CZ	IT 2A18 CZ RM ZZ	467,00
US	IT 2A18 US RM ZZ	467,00
UZ	IT 2A18 UZ RM ZZ	467,00
DD	IT 2A18 DD RM ZZ	630,00
DZ	IT 2A18 DZ RM ZZ	630,00
SZ	IT 2A18 SZ RM ZZ	630,00

Miscelatore monocomando lavabo 234
Washbasin mixer 234
Mitigeur lavabo 234
Einhand-Waschtischmischer 234

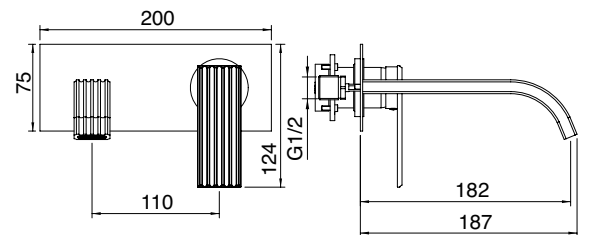


CC	RWIT 2AA5 CC 04	301,00
NN	RWIT 2AA5 NN 04	427,00
NL	RWIT 2AA5 NL 04	422,00
NF	RWIT 2AA5 NF 04	422,00
HH	RWIT 2AA5 HH 04	518,00
CZ	RWIT 2AA5 CZ 04	518,00
US	RWIT 2AA5 US 04	518,00
UZ	RWIT 2AA5 UZ 04	518,00
DD	RWIT 2AA5 DD 04	665,00
DZ	RWIT 2AA5 DZ 04	665,00
SZ	RWIT 2AA5 SZ 04	665,00

Miscelatore monocomando lavabo incasso 182
Concealed washbasin mixer 182
Mitigeur lavabo à encastrer 182
UP-Einhand-Waschtischmischer 182



RWIT 51A5 ZZ 01 138,00
+ PARTI INCASSO - CONCEALED BODY
CORPS À ENCASTRER - UNTERPUTZTEIL

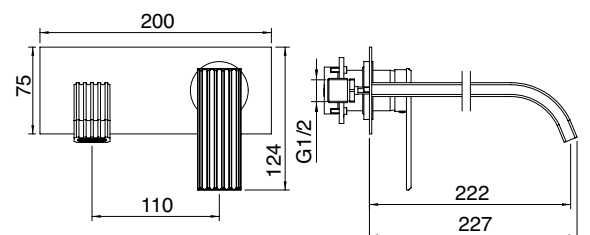


CC	RWIT 2AA6 CC 04	324,00
NN	RWIT 2AA6 NN 04	459,00
NL	RWIT 2AA6 NL 04	453,00
NF	RWIT 2AA6 NF 04	453,00
HH	RWIT 2AA6 HH 04	556,00
CZ	RWIT 2AA6 CZ 04	556,00
US	RWIT 2AA6 US 04	556,00
UZ	RWIT 2AA6 UZ 04	556,00
DD	RWIT 2AA6 DD 04	713,00
DZ	RWIT 2AA6 DZ 04	713,00
SZ	RWIT 2AA6 SZ 04	713,00

Miscelatore monocomando lavabo incasso 222
Concealed washbasin mixer 222
Mitigeur lavabo à encastrer 222
UP-Einhand-Waschtischmischer 222



RWIT 51A5 ZZ 01 138,00
+ PARTI INCASSO - CONCEALED BODY
CORPS À ENCASTRER - UNTERPUTZTEIL





WATT

W-70S

Q30

T30

KEA

IOS



HH
polished black chrome

DZ
brushed gold



CZ
brushed black chrome

DD
gold

NN
matt black

WATT

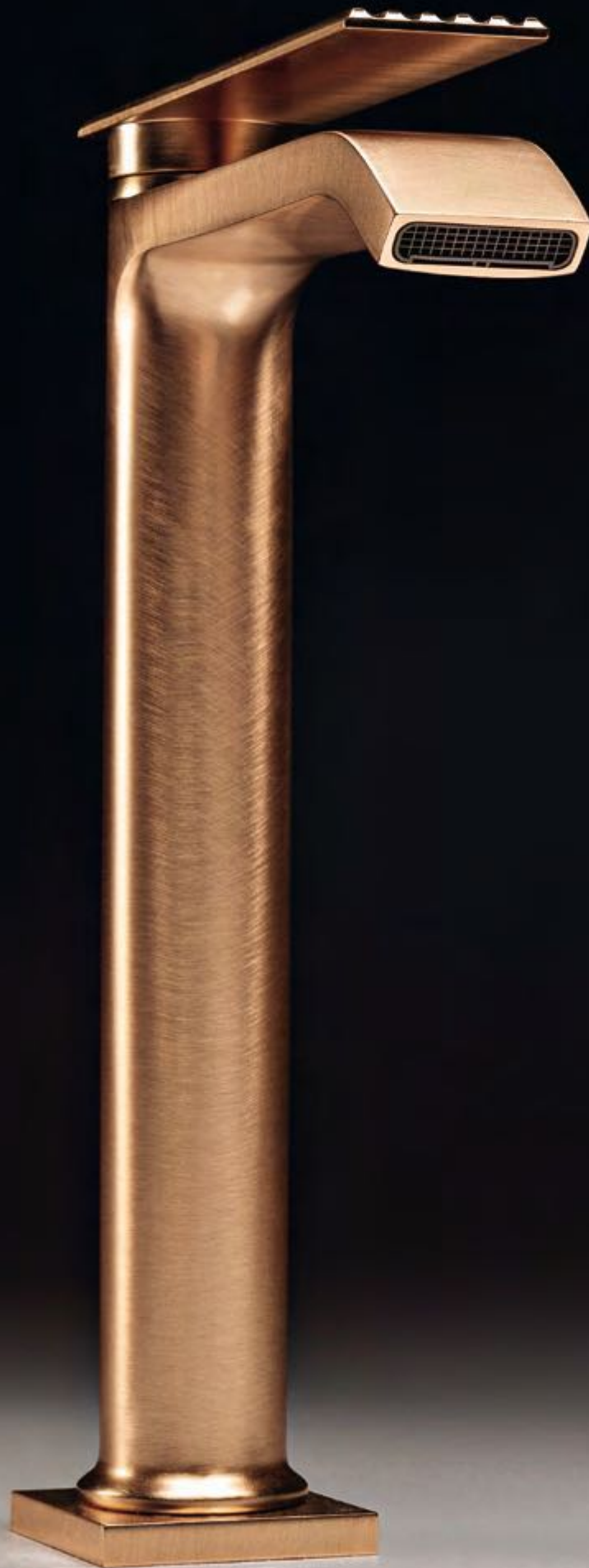
W-70S

Q30

T30

KEA

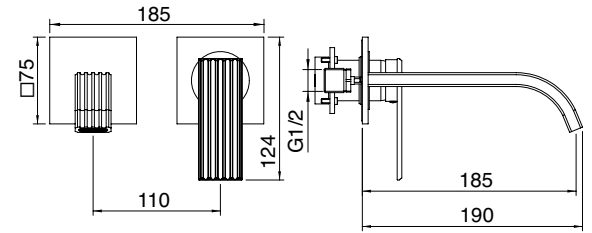
IOS





CC	RWIT 2AC5 CC 04	327,00
NN	RWIT 2AC5 NN 04	464,00
NL	RWIT 2AC5 NL 04	457,00
NF	RWIT 2AC5 NF 04	457,00
HH	RWIT 2AC5 HH 04	561,00
CZ	RWIT 2AC5 CZ 04	561,00
US	RWIT 2AC5 US 04	561,00
UZ	RWIT 2AC5 UZ 04	561,00
DD	RWIT 2AC5 DD 04	720,00
DZ	RWIT 2AC5 DZ 04	720,00
SZ	RWIT 2AC5 SZ 04	720,00

RWIT 51A5 ZZ 01 138,00
 + PARTI INCASSO - CONCEALED BODY
 CORPS À ENCASTRER - UNTERPUTZTEIL

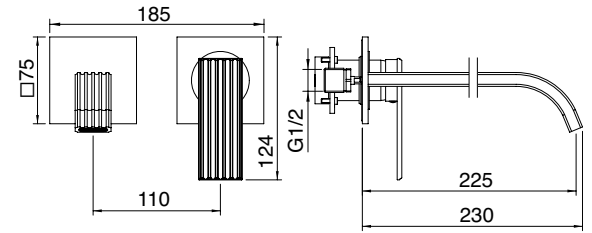


Miscelatore monocomando lavabo incasso 185
 Concealed washbasin mixer 185
 Mitigeur lavabo à encastrer 185
 UP-Einhand-Waschtischmischer 185

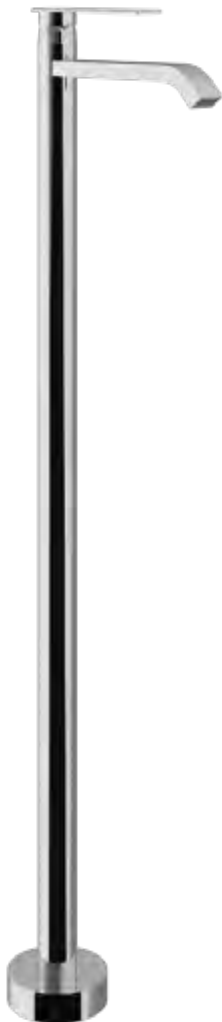


CC	RWIT 2AC6 CC 04	350,00
NN	RWIT 2AC6 NN 04	497,00
NL	RWIT 2AC6 NL 04	490,00
NF	RWIT 2AC6 NF 04	490,00
HH	RWIT 2AC6 HH 04	601,00
CZ	RWIT 2AC6 CZ 04	601,00
US	RWIT 2AC6 US 04	601,00
UZ	RWIT 2AC6 UZ 04	601,00
DD	RWIT 2AC6 DD 04	772,00
DZ	RWIT 2AC6 DZ 04	772,00
SZ	RWIT 2AC6 SZ 04	772,00

RWIT 51A5 ZZ 01 138,00
 + PARTI INCASSO - CONCEALED BODY
 CORPS À ENCASTRER - UNTERPUTZTEIL

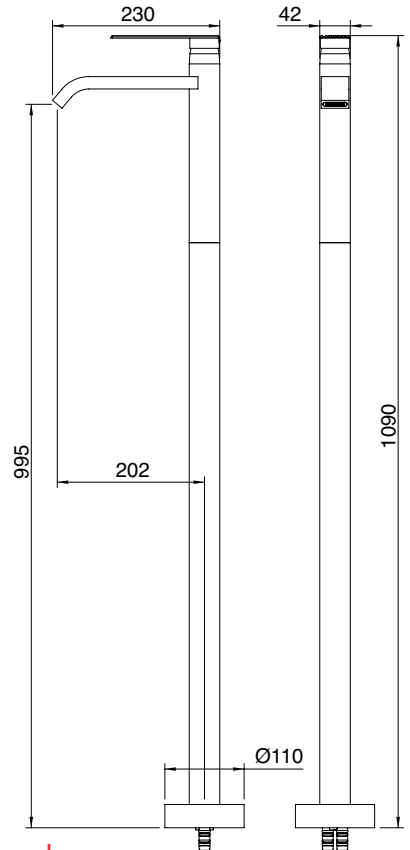


Miscelatore monocomando lavabo incasso 225
 Concealed washbasin mixer 225
 Mitigeur lavabo à encastrer 225
 UP-Einhand-Waschtischmischer 225



CC	RWIT 2A14 CC 01	865,00
NN	RWIT 2A14 NN 01	1.229,00
NL	RWIT 2A14 NL 01	1.211,00
NF	RWIT 2A14 NF 01	1.211,00
HH	RWIT 2A14 HH 01	1.488,00
CZ	RWIT 2A14 CZ 01	1.488,00
US	RWIT 2A14 US 01	1.488,00
UZ	RWIT 2A14 UZ 01	1.488,00
DD	RWIT 2A14 DD 01	1.912,00
DZ	RWIT 2A14 DZ 01	1.912,00
SZ	RWIT 2A14 SZ 01	1.912,00

RWIT 5703 ZZ 07 212,00
 + PARTI INCASSO - CONCEALED BODY
 CORPS À ENCASTRER - UNTERPUTZTEIL



Miscelatore monocomando lavabo da terra
 Floor standing washbasin mixer
 Mitigeur lavabo sur colonne au sol
 Waschtisch-Einhebelmischer Standarmatur



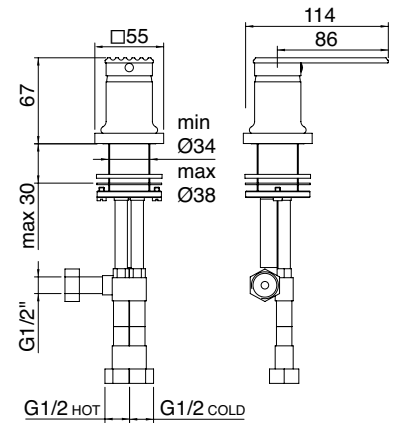


CC	RWIT 2A68 CC 02	165,00
NN	RWIT 2A68 NN 02	220,00
NL	RWIT 2A68 NL 02	215,00
NF	RWIT 2A68 NF 02	215,00
HH	RWIT 2A68 HH 02	255,00
CZ	RWIT 2A68 CZ 02	255,00
US	RWIT 2A68 US 02	255,00
UZ	RWIT 2A68 UZ 02	255,00
DD	RWIT 2A68 DD 02	343,00
DZ	RWIT 2A68 DZ 02	343,00
SZ	RWIT 2A68 SZ 02	343,00

Monocomando remoto da piano per lavabo
 Deck mounted control mixer
 Mitigeur lavabo seul sur gorge
 Waschtisch Einhebelmischer für separaten Auslauf



RWIT2AA5ZZ40 20 l/min



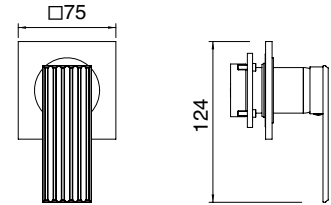
CC	RWIT 2AC8 CC 02	160,00
NN	RWIT 2AC8 NN 02	227,00
NL	RWIT 2AC8 NL 02	224,00
NF	RWIT 2AC8 NF 02	224,00
HH	RWIT 2AC8 HH 02	274,00
CZ	RWIT 2AC8 CZ 02	274,00
US	RWIT 2AC8 US 02	274,00
UZ	RWIT 2AC8 UZ 02	274,00
DD	RWIT 2AC8 DD 02	353,00
DZ	RWIT 2AC8 DZ 02	353,00
SZ	RWIT 2AC8 SZ 02	353,00

Monocomando remoto lavabo/doccia incasso
 Concealed washbasin/shower mixer
 Mitigeur lavabo/douche à encaster
 UP-Waschtisch/Dusche Mischer



RWIT2AA5ZZ40 1,5cm RWIT51ASZZ80 3cm RWIT51ASZZ85 5cm RWIT51ASZZ90 24 l/min N° i43 RWIT51A8ZZ90

RWIT 51A8 ZZ 03 128,00
 + PARTI INCASSO - CONCEALED BODY
 CORPS À ENCASTER - UNTERPUTZTEIL

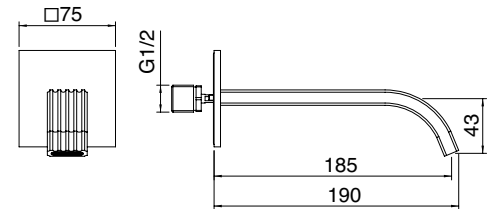


CC	IT 2A63 CC ZZ ZZ	245,00
NN	IT 2A63 NN ZZ ZZ	326,00
NL	IT 2A63 NL ZZ ZZ	318,00
NF	IT 2A63 NF ZZ ZZ	318,00
HH	IT 2A63 HH ZZ ZZ	376,00
CZ	IT 2A63 CZ ZZ ZZ	376,00
US	IT 2A63 US ZZ ZZ	376,00
UZ	IT 2A63 UZ ZZ ZZ	376,00
DD	IT 2A63 DD ZZ ZZ	508,00
DZ	IT 2A63 DZ ZZ ZZ	508,00
SZ	IT 2A63 SZ ZZ ZZ	508,00

Bocca a muro 185
 Wall-mtd spout 185
 Bec mural 185
 Einlauf Wandmontage 185



ITRTAE131ZZ ITRTAT112ZZ 6 l/min

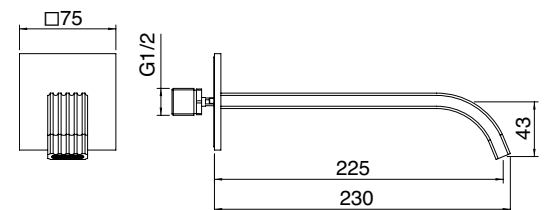


CC	IT 2A61 CC ZZ ZZ	265,00
NN	IT 2A61 NN ZZ ZZ	353,00
NL	IT 2A61 NL ZZ ZZ	345,00
NF	IT 2A61 NF ZZ ZZ	345,00
HH	IT 2A61 HH ZZ ZZ	407,00
CZ	IT 2A61 CZ ZZ ZZ	407,00
US	IT 2A61 US ZZ ZZ	407,00
UZ	IT 2A61 UZ ZZ ZZ	407,00
DD	IT 2A61 DD ZZ ZZ	551,00
DZ	IT 2A61 DZ ZZ ZZ	551,00
SZ	IT 2A61 SZ ZZ ZZ	551,00

Bocca a muro 225
 Wall-mtd spout 225
 Bec mural 225
 Einlauf Wandmontage 225



ITRTAE131ZZ ITRTAT112ZZ 6 l/min





WATT

W-70S

Q30

T30

KEA

IOS

WATT

W-70S

Q30

T30

KEA

I0S



UZ
brushed brass

CC
chrome

DD
gold



NL
polished nickel

NF
brushed nickel

US
brushed bronze

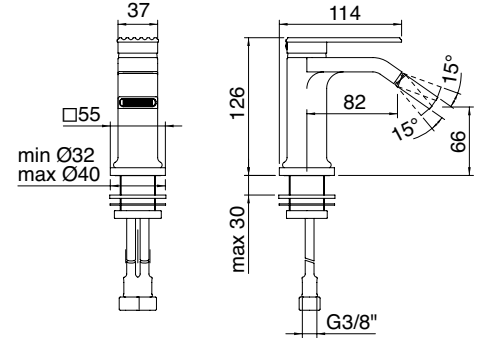


CC	IT 2A22 CC RM CS	293,00
NN	IT 2A22 NN RM CS	389,00
NL	IT 2A22 NL RM CS	381,00
NF	IT 2A22 NF RM CS	381,00
HH	IT 2A22 HH RM CS	451,00
CZ	IT 2A22 CZ RM CS	451,00
US	IT 2A22 US RM CS	451,00
UZ	IT 2A22 UZ RM CS	451,00
DD	IT 2A22 DD RM CS	608,00
DZ	IT 2A22 DZ RM CS	608,00
SZ	IT 2A22 SZ RM CS	608,00

Miscelatore monocomando bidet
Bidet mixer
Mitigeur bidet
Bidet - Mischer



RWIT2A11ZZ40 ITRTAE129ZZ ITRTAT112ZZ 6 l/min

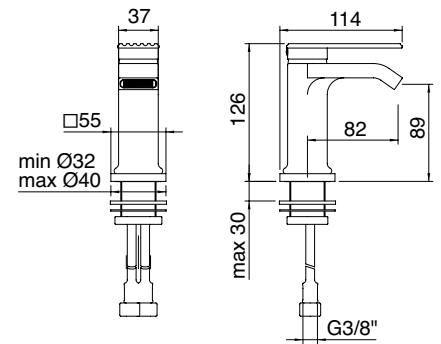


CC	IT 2A22 CC RM ZZ	219,00
NN	IT 2A22 NN RM ZZ	290,00
NL	IT 2A22 NL RM ZZ	284,00
NF	IT 2A22 NF RM ZZ	284,00
HH	IT 2A22 HH RM ZZ	336,00
CZ	IT 2A22 CZ RM ZZ	336,00
US	IT 2A22 US RM ZZ	336,00
UZ	IT 2A22 UZ RM ZZ	336,00
DD	IT 2A22 DD RM ZZ	454,00
DZ	IT 2A22 DZ RM ZZ	454,00
SZ	IT 2A22 SZ RM ZZ	454,00

Miscelatore monocomando bidet
Bidet mixer
Mitigeur bidet
Bidet - Mischer



RWIT2A11ZZ40 ITRTAE129ZZ ITRTAT112ZZ 8 l/min

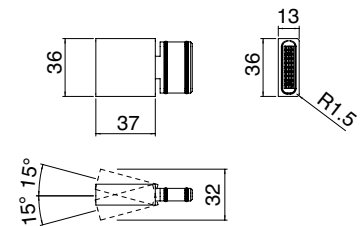


CC	RWIT 2A20 CC 02	79,00
NN	RWIT 2A20 NN 02	105,00
NL	RWIT 2A20 NL 02	101,00
NF	RWIT 2A20 NF 02	101,00
HH	RWIT 2A20 HH 02	120,00
CZ	RWIT 2A20 CZ 02	120,00
US	RWIT 2A20 US 02	120,00
UZ	RWIT 2A20 UZ 02	120,00
DD	RWIT 2A20 DD 02	162,00
DZ	RWIT 2A20 DZ 02	162,00
SZ	RWIT 2A20 SZ 02	162,00

Snodo per bidet
Swivel joint for aerator
Raccord pivotant pour mousseur
Gelenk für bidet perlator

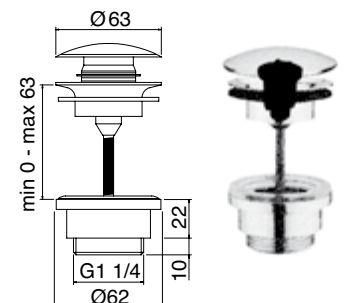


ITRTAE129ZZ ITRTAT112ZZ 6 l/min



CC	IT RTSA 117 CC	28,00
NN	IT RTSA 117 NN	38,00
NL	IT RTSA 117 NL	39,00
NF	IT RTSA 117 NF	39,00
HH	IT RTSA 117 HH	45,00
CZ	IT RTSA 117 CZ	45,00
US	IT RTSA 117 US	45,00
UZ	IT RTSA 117 UZ	45,00
DD	IT RTSA 117 DD	54,00
DZ	IT RTSA 117 DZ	59,00
SZ	IT RTSA 117 SZ	59,00

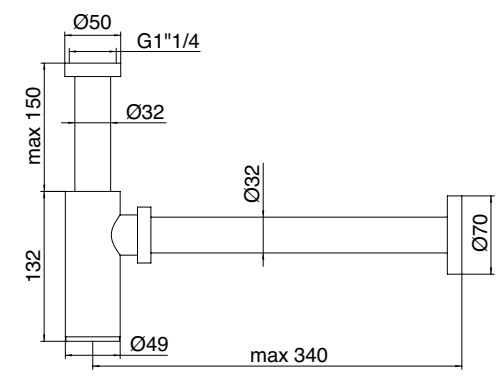
Scarico click-clack universale con inserto per sempre aperto
Universal up/down pop-up waste with adaptor for continuous water flow
Bonde click-clack universelle avec option écoulement libre
Universal-Ablaufgarnitur Click-Clack mit Verschlussperre





CC	IT 0405 CC ZZ ZZ	88,00
NN	IT 0405 NN ZZ ZZ	177,00
NL	IT 0405 NL ZZ ZZ	167,00
NF	IT 0405 NF ZZ ZZ	167,00
HH	IT 0405 HH ZZ ZZ	136,00
CZ	IT 0405 CZ ZZ ZZ	136,00
US	IT 0405 US ZZ ZZ	136,00
UZ	IT 0405 UZ ZZ ZZ	136,00
DD	IT 0405 DD ZZ ZZ	201,00
DZ	IT 0405 DZ ZZ ZZ	184,00
SZ	IT 0405 SZ ZZ ZZ	184,00

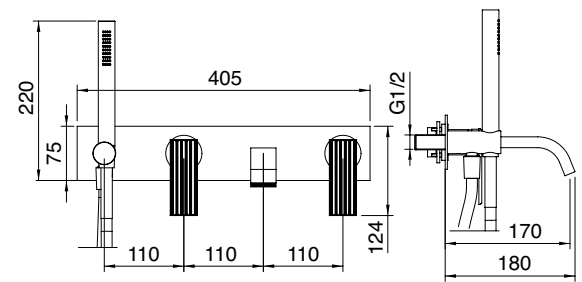
Sifone a vista
 Drain-trap
 Siphon
 Siphon für Waschtisch



CC	RWIT 2AD7 CC 01	646,00
NN	RWIT 2AD7 NN 01	917,00
NL	RWIT 2AD7 NL 01	904,00
NF	RWIT 2AD7 NF 01	904,00
HH	RWIT 2AD7 HH 01	1.111,00
CZ	RWIT 2AD7 CZ 01	1.111,00
US	RWIT 2AD7 US 01	1.111,00
UZ	RWIT 2AD7 UZ 01	1.111,00
DD	RWIT 2AD7 DD 01	1.426,00
DZ	RWIT 2AD7 DZ 01	1.426,00
SZ	RWIT 2AD7 SZ 01	1.426,00

Miscelatore monocomando vasca/doccia incasso
 Concealed bath/shower mixer
 Mitigeur bain/douche à encastrer
 Wanne / Brause EHM UP

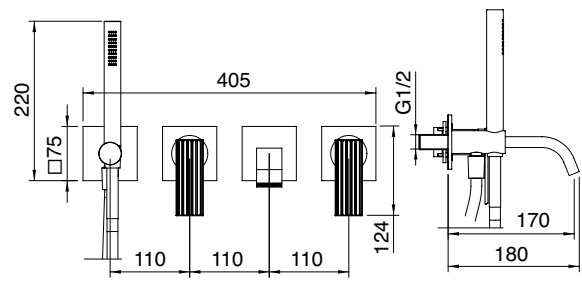
RWIT 51D7 ZZ 12 305,00
 + PARTI INCASSO - CONCEALED BODY
 CORPS À ENCASTRER - UNTERPUTZTEIL



CC	RWIT 2AD8 CC 01	697,00
NN	RWIT 2AD8 NN 01	989,00
NL	RWIT 2AD8 NL 01	975,00
NF	RWIT 2AD8 NF 01	975,00
HH	RWIT 2AD8 HH 01	1.198,00
CZ	RWIT 2AD8 CZ 01	1.198,00
US	RWIT 2AD8 US 01	1.198,00
UZ	RWIT 2AD8 UZ 01	1.198,00
DD	RWIT 2AD8 DD 01	1.539,00
DZ	RWIT 2AD8 DZ 01	1.539,00
SZ	RWIT 2AD8 SZ 01	1.539,00

Miscelatore monocomando vasca/doccia incasso
 Concealed bath/shower mixer
 Mitigeur bain/douche à encastrer
 Wanne / Brause EHM UP

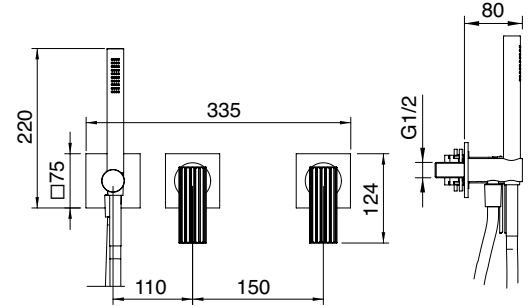
RWIT 51D7 ZZ 12 305,00
 + PARTI INCASSO - CONCEALED BODY
 CORPS À ENCASTRER - UNTERPUTZTEIL



CC	RWIT 2AD9 CC 01	530,00
NN	RWIT 2AD9 NN 01	752,00
NL	RWIT 2AD9 NL 01	742,00
NF	RWIT 2AD9 NF 01	742,00
HH	RWIT 2AD9 HH 01	912,00
CZ	RWIT 2AD9 CZ 01	912,00
US	RWIT 2AD9 US 01	912,00
UZ	RWIT 2AD9 UZ 01	912,00
DD	RWIT 2AD9 DD 01	1.171,00
DZ	RWIT 2AD9 DZ 01	1.171,00
SZ	RWIT 2AD9 SZ 01	1.171,00

Miscelatore monocomando vasca/doccia incasso
 Concealed bath/shower mixer
 Mitigeur bain/douche à encastrer
 Wanne / Brause EHM UP

RWIT 51D9 ZZ 01 293,00
 + PARTI INCASSO - CONCEALED BODY
 CORPS À ENCASTRER - UNTERPUTZTEIL

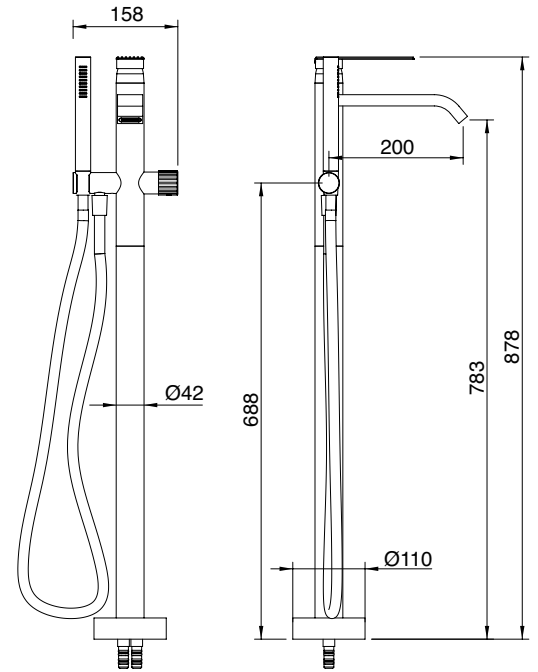




CC	RWIT 2A03 CC 01	1.025,00
NN	RWIT 2A03 NN 01	1.456,00
NL	RWIT 2A03 NL 01	1.435,00
NF	RWIT 2A03 NF 01	1.435,00
HH	RWIT 2A03 HH 01	1.764,00
CZ	RWIT 2A03 CZ 01	1.764,00
US	RWIT 2A03 US 01	1.764,00
UZ	RWIT 2A03 UZ 01	1.764,00
DD	RWIT 2A03 DD 01	2.265,00
DZ	RWIT 2A03 DZ 01	2.265,00
SZ	RWIT 2A03 SZ 01	2.265,00

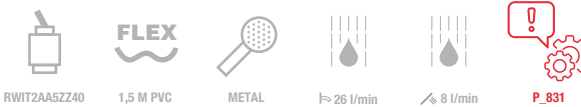
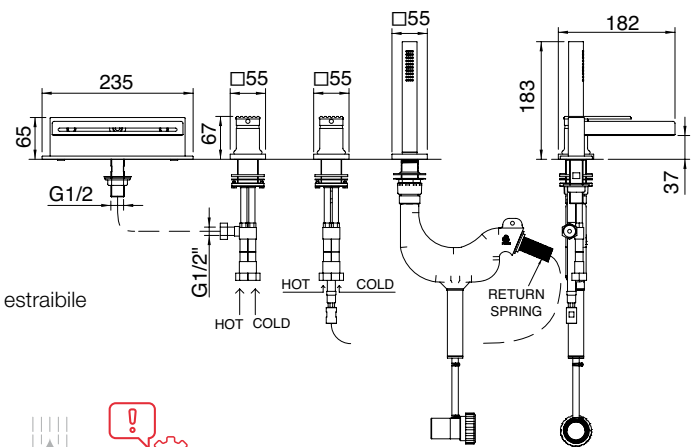
Miscelatore monocomando vasca da terra
Floor standing bathtub mixer
Mitigeur bain douche sur colonne au sol
Einhebel - Wannenstandarmatur

RWIT 5703 ZZ 07 212,00
+ PARTI INCASO - CONCEALED BODY
CORPS À ENCASTRER - UNTERPUTZTEIL



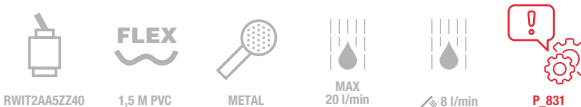
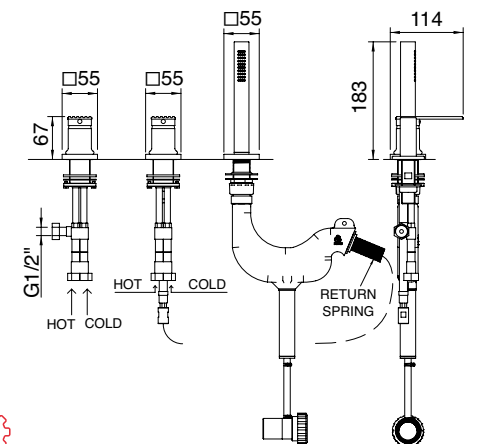
CC	IT 2A68 CC RM ZZ	919,00
NN	IT 2A68 NN RM ZZ	1.223,00
NL	IT 2A68 NL RM ZZ	1.195,00
NF	IT 2A68 NF RM ZZ	1.195,00
HH	IT 2A68 HH RM ZZ	1.416,00
CZ	IT 2A68 CZ RM ZZ	1.416,00
US	IT 2A68 US RM ZZ	1.416,00
UZ	IT 2A68 UZ RM ZZ	1.416,00
DD	IT 2A68 DD RM ZZ	1.912,00
DZ	IT 2A68 DZ RM ZZ	1.912,00
SZ	IT 2A68 SZ RM ZZ	1.912,00

Batteria bordo vasca a 4 fori con doccetta estraibile
4 hole deck-mounted bathtub
Mitigeur bain/douche 4 trous sur gorge
Vierloch Wannenrandarmatur



CC	IT 2A69 CC RM ZZ	548,00
NN	IT 2A69 NN RM ZZ	730,00
NL	IT 2A69 NL RM ZZ	713,00
NF	IT 2A69 NF RM ZZ	713,00
HH	IT 2A69 HH RM ZZ	845,00
CZ	IT 2A69 CZ RM ZZ	845,00
US	IT 2A69 US RM ZZ	845,00
UZ	IT 2A69 UZ RM ZZ	845,00
DD	IT 2A69 DD RM ZZ	1.141,00
DZ	IT 2A69 DZ RM ZZ	1.141,00
SZ	IT 2A69 SZ RM ZZ	1.141,00

Batteria bordo vasca con doccetta estraibile senza bocca
Deck-mounted bathtub without spout
Mitigeur bain/douche sur gorge sans bec
Wannenrandarmatur ohne Auslauf





WATT

W-70S

Q30

T30

KEA

IOS

RWIT 2AD8 DZ 01



CC	RWIT 2A68 CC 05	219,00
NN	RWIT 2A68 NN 05	290,00
NL	RWIT 2A68 NL 05	284,00
NF	RWIT 2A68 NF 05	284,00
HH	RWIT 2A68 HH 05	336,00
CZ	RWIT 2A68 CZ 05	336,00
US	RWIT 2A68 US 05	336,00
UZ	RWIT 2A68 UZ 05	336,00
DD	RWIT 2A68 DD 05	454,00
DZ	RWIT 2A68 DZ 05	454,00
SZ	RWIT 2A68 SZ 05	454,00

Doccetta estraibile bordo vasca
Deck-mounted retractable handshower
Douchette extractible sur gorge
Versenkbare Schlauchbrause



1,5 M PVC



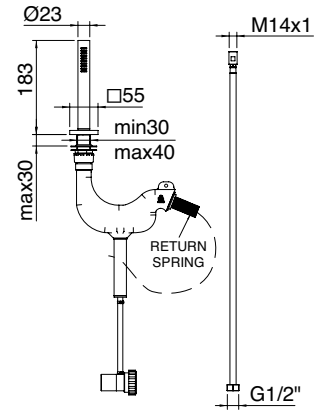
METAL



8 l/min



P_831



CC	RWIT 2A68 CC 02	165,00
NN	RWIT 2A68 NN 02	220,00
NL	RWIT 2A68 NL 02	215,00
NF	RWIT 2A68 NF 02	215,00
HH	RWIT 2A68 HH 02	255,00
CZ	RWIT 2A68 CZ 02	255,00
US	RWIT 2A68 US 02	255,00
UZ	RWIT 2A68 UZ 02	255,00
DD	RWIT 2A68 DD 02	343,00
DZ	RWIT 2A68 DZ 02	343,00
SZ	RWIT 2A68 SZ 02	343,00

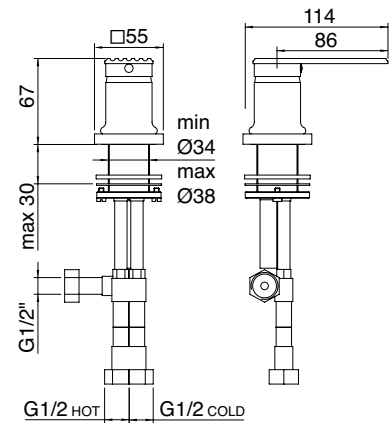
Monocomando remoto da piano per vasca
Deck mounted control mixer
Mitigeur lavabo seul sur gorge
Waschtisch Einhebelmischer für separaten Auslauf



RWIT2AA5ZZ40



20 l/min



CC	IT 2A63 CC ZZ HF	164,00
NN	IT 2A63 NN ZZ HF	218,00
NL	IT 2A63 NL ZZ HF	214,00
NF	IT 2A63 NF ZZ HF	214,00
HH	IT 2A63 HH ZZ HF	253,00
CZ	IT 2A63 CZ ZZ HF	253,00
US	IT 2A63 US ZZ HF	253,00
UZ	IT 2A63 UZ ZZ HF	253,00
DD	IT 2A63 DD ZZ HF	340,00
DZ	IT 2A63 DZ ZZ HF	340,00
SZ	IT 2A63 SZ ZZ HF	340,00

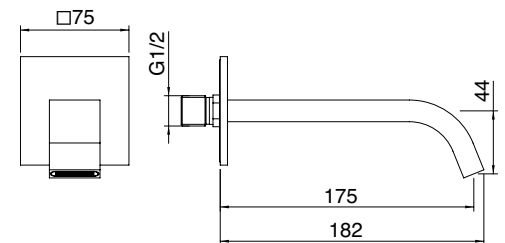
Bocca a muro per vasca 175
Wall-mtd. spout for bathtub 175
Bec mural pour baignoire 175
Wandauslauf für Badewannen 175



ITRTAE135ZZ



20 l/min



CC	IT 2A61 CC ZZ HF	179,00
NN	IT 2A61 NN ZZ HF	236,00
NL	IT 2A61 NL ZZ HF	231,00
NF	IT 2A61 NF ZZ HF	231,00
HH	IT 2A61 HH ZZ HF	273,00
CZ	IT 2A61 CZ ZZ HF	273,00
US	IT 2A61 US ZZ HF	273,00
UZ	IT 2A61 UZ ZZ HF	273,00
DD	IT 2A61 DD ZZ HF	369,00
DZ	IT 2A61 DZ ZZ HF	369,00
SZ	IT 2A61 SZ ZZ HF	369,00

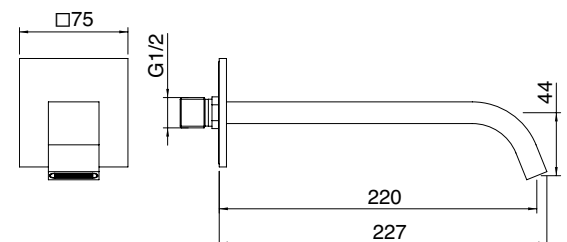
Bocca a muro per vasca 220
Wall-mtd. spout for bathtub 220
Bec mural pour baignoire 220
Wandauslauf für Badewannen 220



ITRTAE135ZZ



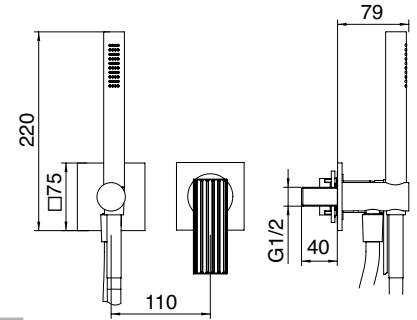
20 l/min





CC	RWIT 2AD4 CC 01	371,00
NN	RWIT 2AD4 NN 01	527,00
NL	RWIT 2AD4 NL 01	520,00
NF	RWIT 2AD4 NF 01	520,00
HH	RWIT 2AD4 HH 01	638,00
CZ	RWIT 2AD4 CZ 01	638,00
US	RWIT 2AD4 US 01	638,00
UZ	RWIT 2AD4 UZ 01	638,00
DD	RWIT 2AD4 DD 01	819,00
DZ	RWIT 2AD4 DZ 01	819,00
SZ	RWIT 2AD4 SZ 01	819,00

RWIT 51A5 ZZ 01 138,00
 + PARTI INCASSO - CONCEALED BODY
 CORPS À ENCASTRER - UNTERPUTZTEIL

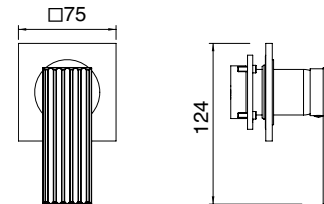


Miscelatore monocomando incasso doccia con doccetta
 Concealed shower mixer with hand-shower
 Mitigeur douche à encastrer avec douchette
 Brause EHM UP mit Handbrause

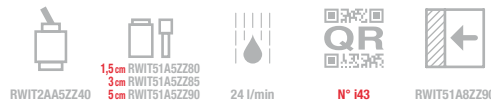


CC	RWIT 2AC8 CC 02	160,00
NN	RWIT 2AC8 NN 02	227,00
NL	RWIT 2AC8 NL 02	224,00
NF	RWIT 2AC8 NF 02	224,00
HH	RWIT 2AC8 HH 02	274,00
CZ	RWIT 2AC8 CZ 02	274,00
US	RWIT 2AC8 US 02	274,00
UZ	RWIT 2AC8 UZ 02	274,00
DD	RWIT 2AC8 DD 02	353,00
DZ	RWIT 2AC8 DZ 02	353,00
SZ	RWIT 2AC8 SZ 02	353,00

RWIT 51A8 ZZ 03 128,00
 + PARTI INCASSO - CONCEALED BODY
 CORPS À ENCASTRER - UNTERPUTZTEIL

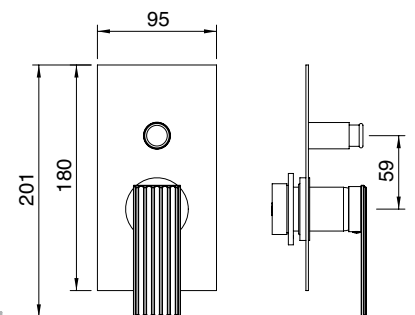


Monocomando remoto lavabo/doccia incasso
 Concealed washbasin/shower mixer
 Mitigeur lavabo/douche à encastrer
 UP-Waschtisch/Dusche Mischer



CC	RWIT 2AB1 CC 04	173,00
NN	RWIT 2AB1 NN 04	245,00
NL	RWIT 2AB1 NL 04	242,00
NF	RWIT 2AB1 NF 04	242,00
HH	RWIT 2AB1 HH 04	296,00
CZ	RWIT 2AB1 CZ 04	296,00
US	RWIT 2AB1 US 04	296,00
UZ	RWIT 2AB1 UZ 04	296,00
DD	RWIT 2AB1 DD 04	381,00
DZ	RWIT 2AB1 DZ 04	381,00
SZ	RWIT 2AB1 SZ 04	381,00

RWIT 51B1 ZZ 03 160,00
 + PARTI INCASSO - CONCEALED BODY
 CORPS À ENCASTRER - UNTERPUTZTEIL



Miscelatore monocomando vasca/doccia incasso
 Concealed bath/shower mixer with diverter
 Mitigeur bain/douche à encastrer avec inverseur
 UP Wanne/Brause Einhebelmischer



WATT

W-70S

Q30

T30

KEA

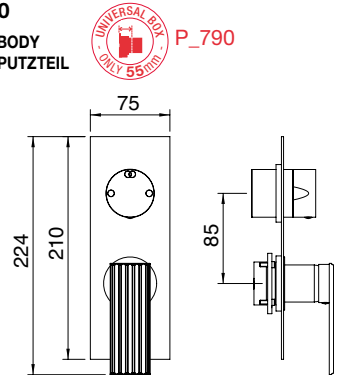
IOS



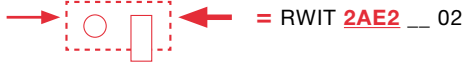


CC	RWIT 2AA2 CC 02	280,00
NN	RWIT 2AA2 NN 02	397,00
NL	RWIT 2AA2 NL 02	392,00
NF	RWIT 2AA2 NF 02	392,00
HH	RWIT 2AA2 HH 02	480,00
CZ	RWIT 2AA2 CZ 02	480,00
US	RWIT 2AA2 US 02	480,00
UZ	RWIT 2AA2 UZ 02	480,00
DD	RWIT 2AA2 DD 02	617,00
DZ	RWIT 2AA2 DZ 02	617,00
SZ	RWIT 2AA2 SZ 02	617,00

RWIT 22A2 ZZ 01 237,00
 + PARTI INCASSO - CONCEALED BODY
 CORPS À ENCASTRER - UNTERPUTZTEIL

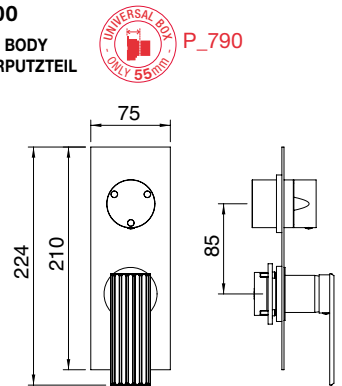


Miscelatore monocomando con deviatore 2 uscite
 Concealed mixer with 2 ways diverter
 Mitigeur à encastrer avec inverseur à 2 sorties
 EHM UP mit 2 Wege Umsteller



CC	RWIT 2AA3 CC 02	303,00
NN	RWIT 2AA3 NN 02	430,00
NL	RWIT 2AA3 NL 02	424,00
NF	RWIT 2AA3 NF 02	424,00
HH	RWIT 2AA3 HH 02	521,00
CZ	RWIT 2AA3 CZ 02	521,00
US	RWIT 2AA3 US 02	521,00
UZ	RWIT 2AA3 UZ 02	521,00
DD	RWIT 2AA3 DD 02	669,00
DZ	RWIT 2AA3 DZ 02	669,00
SZ	RWIT 2AA3 SZ 02	669,00

RWIT 22A2 ZZ 01 237,00
 + PARTI INCASSO - CONCEALED BODY
 CORPS À ENCASTRER - UNTERPUTZTEIL

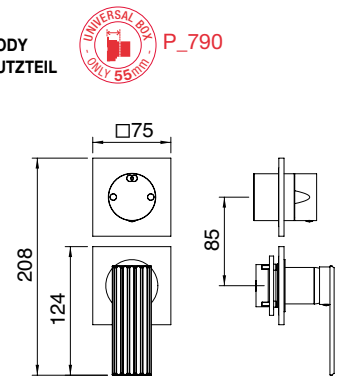


Miscelatore monocomando con deviatore 3 uscite
 Concealed mixer with 3 ways diverter
 Mitigeur à encastrer avec inverseur à 3 sorties
 EHM UP mit 3 Wege Umsteller

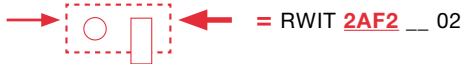


CC	RWIT 2AC2 CC 02	303,00
NN	RWIT 2AC2 NN 02	430,00
NL	RWIT 2AC2 NL 02	424,00
NF	RWIT 2AC2 NF 02	424,00
HH	RWIT 2AC2 HH 02	521,00
CZ	RWIT 2AC2 CZ 02	521,00
US	RWIT 2AC2 US 02	521,00
UZ	RWIT 2AC2 UZ 02	521,00
DD	RWIT 2AC2 DD 02	669,00
DZ	RWIT 2AC2 DZ 02	669,00
SZ	RWIT 2AC2 SZ 02	669,00

RWIT 22A2 ZZ 01 237,00
 + PARTI INCASSO - CONCEALED BODY
 CORPS À ENCASTRER - UNTERPUTZTEIL

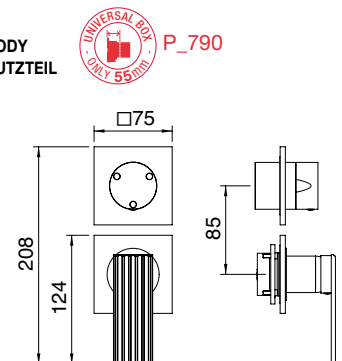


Miscelatore monocomando con deviatore 2 uscite
 Concealed mixer with 2 ways diverter
 Mitigeur à encastrer avec inverseur à 2 sorties
 EHM UP mit 2 Wege Umsteller

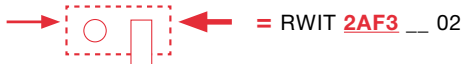


CC	RWIT 2AC3 CC 02	327,00
NN	RWIT 2AC3 NN 02	464,00
NL	RWIT 2AC3 NL 02	457,00
NF	RWIT 2AC3 NF 02	457,00
HH	RWIT 2AC3 HH 02	561,00
CZ	RWIT 2AC3 CZ 02	561,00
US	RWIT 2AC3 US 02	561,00
UZ	RWIT 2AC3 UZ 02	561,00
DD	RWIT 2AC3 DD 02	720,00
DZ	RWIT 2AC3 DZ 02	720,00
SZ	RWIT 2AC3 SZ 02	720,00

RWIT 22A2 ZZ 01 237,00
 + PARTI INCASSO - CONCEALED BODY
 CORPS À ENCASTRER - UNTERPUTZTEIL



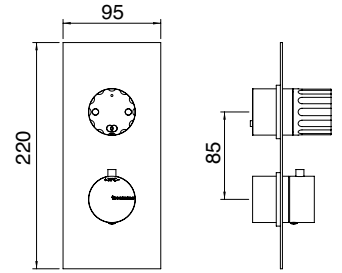
Miscelatore monocomando con deviatore 3 uscite
 Concealed mixer with 3 ways diverter
 Mitigeur à encastrer avec inverseur à 3 sorties
 EHM UP mit 3 Wege Umsteller





CC	RWIT 8A46 CC 60	267,00
NN	RWIT 8A46 NN 60	380,00
NL	RWIT 8A46 NL 60	374,00
NF	RWIT 8A46 NF 60	374,00
HH	RWIT 8A46 HH 60	460,00
CZ	RWIT 8A46 CZ 60	460,00
US	RWIT 8A46 US 60	460,00
UZ	RWIT 8A46 UZ 60	460,00
DD	RWIT 8A46 DD 60	591,00
DZ	RWIT 8A46 DZ 60	591,00
SZ	RWIT 8A46 SZ 60	591,00

RWIT 8A46 ZZ 20 309,00
 + PARTI INCASSO - CONCEALED BODY
 CORPS À ENCASTRER - UNTERPUTZTEIL

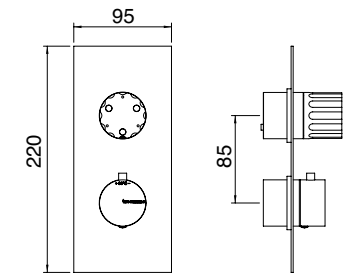


Termostatico incasso con deviatore 2 uscite
 2 ways concealed thermostatic diverter
 Thermostatique à encastrer avec inverseur à 2 sorties
 UP-Thermostat 2 Wege Umsteller



CC	RWIT 8A72 CC 60	290,00
NN	RWIT 8A72 NN 60	412,00
NL	RWIT 8A72 NL 60	406,00
NF	RWIT 8A72 NF 60	406,00
HH	RWIT 8A72 HH 60	499,00
CZ	RWIT 8A72 CZ 60	499,00
US	RWIT 8A72 US 60	499,00
UZ	RWIT 8A72 UZ 60	499,00
DD	RWIT 8A72 DD 60	641,00
DZ	RWIT 8A72 DZ 60	641,00
SZ	RWIT 8A72 SZ 60	641,00

RWIT 8A46 ZZ 20 309,00
 + PARTI INCASSO - CONCEALED BODY
 CORPS À ENCASTRER - UNTERPUTZTEIL

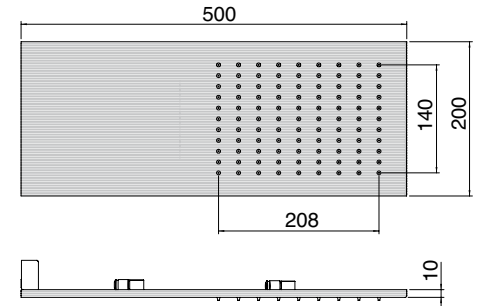
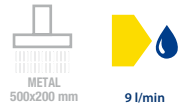


Termostatico incasso con deviatore 3 uscite
 3 ways concealed thermostatic diverter
 Thermostatique à encastrer avec inverseur à 3 sorties
 UP-Thermostat 3 Wege Umsteller



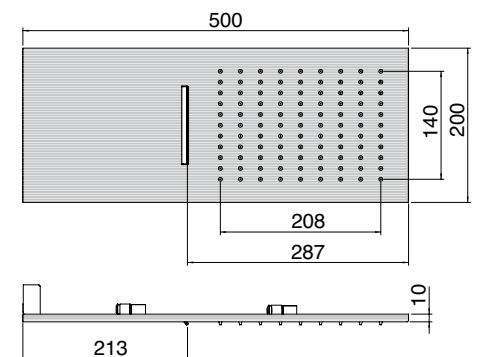
CC	IT RTBR 376 CC	530,00
NN	IT RTBR 376 NN	705,00
NL	IT RTBR 376 NL	690,00
NF	IT RTBR 376 NF	690,00
HH	IT RTBR 376 HH	817,00
CZ	IT RTBR 376 CZ	817,00
US	IT RTBR 376 US	817,00
UZ	IT RTBR 376 UZ	817,00
DD	IT RTBR 376 DD	1.103,00
DZ	IT RTBR 376 DZ	1.103,00
SZ	IT RTBR 376 SZ	1.103,00

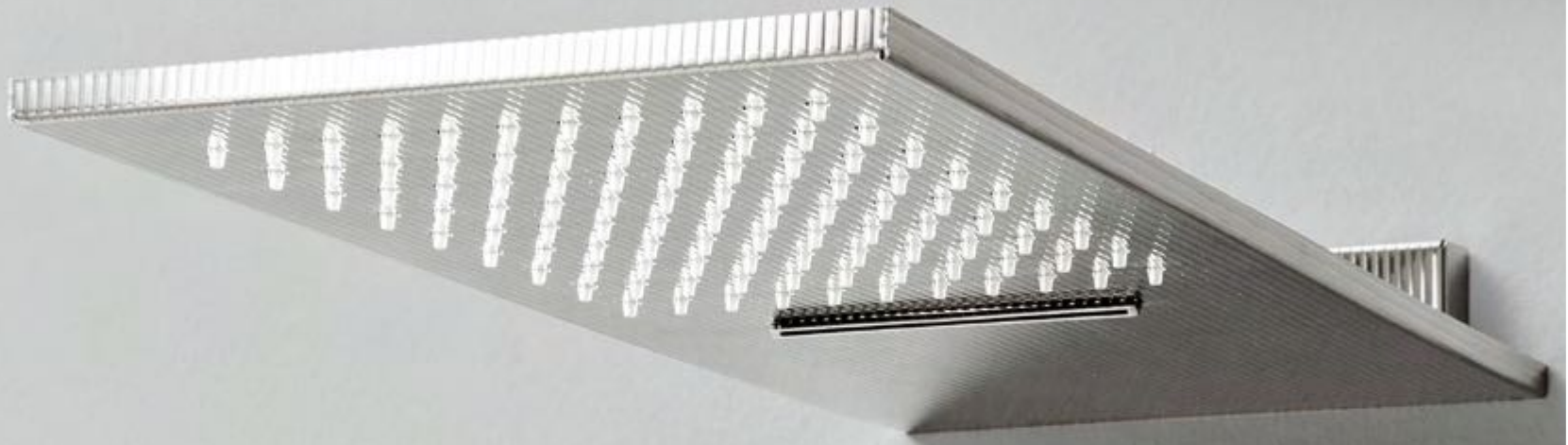
Soffione a parete
 Shower-head
 Douche
 Regenbrause



CC	IT RTBR 366 CC	705,00
NN	IT RTBR 366 NN	939,00
NL	IT RTBR 366 NL	917,00
NF	IT RTBR 366 NF	917,00
HH	IT RTBR 366 HH	1.118,00
CZ	IT RTBR 366 CZ	1.118,00
US	IT RTBR 366 US	1.118,00
UZ	IT RTBR 366 UZ	1.118,00
DD	IT RTBR 366 DD	1.467,00
DZ	IT RTBR 366 DZ	1.467,00
SZ	IT RTBR 366 SZ	1.467,00

Soffione a parete con cascata
 Shower-head with cascade
 Douche avec cascade
 Regenbrause mit Wasserfall

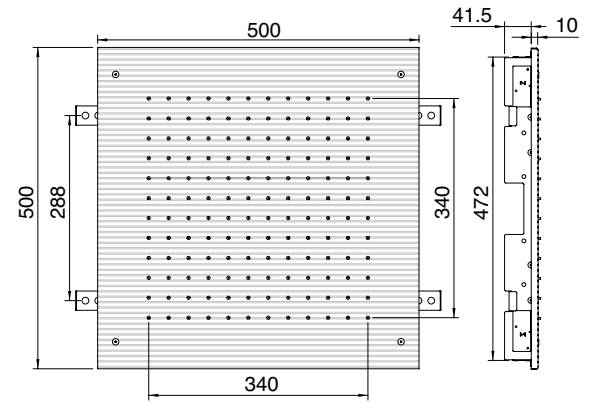
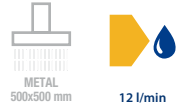






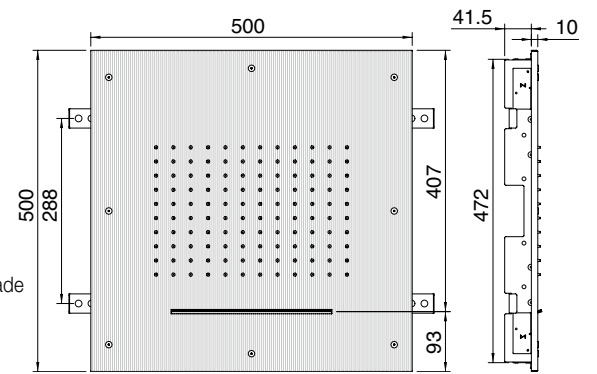
CC	IT RTBR 364 CC	1.350,00
NN	IT RTBR 364 NN	1.795,00
NL	IT RTBR 364 NL	1.755,00
NF	IT RTBR 364 NF	1.755,00
HH	IT RTBR 364 HH	2.078,00
CZ	IT RTBR 364 CZ	2.078,00
US	IT RTBR 364 US	2.078,00
UZ	IT RTBR 364 UZ	2.078,00
DD	IT RTBR 364 DD	2.806,00
DZ	IT RTBR 364 DZ	2.806,00
SZ	IT RTBR 364 SZ	2.806,00

Soffione a soffitto ad incasso
Concealed shower-head
Douche de tête à encastrer, fixation au plafond
UP-Kopfbrause



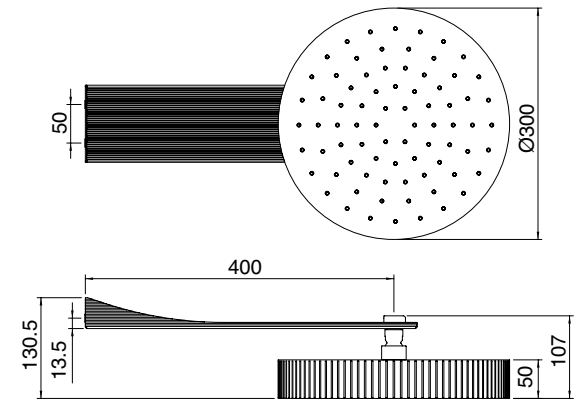
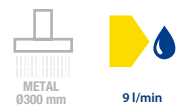
CC	IT RTBR 377 CC	1.659,00
NN	IT RTBR 377 NN	2.207,00
NL	IT RTBR 377 NL	2.156,00
NF	IT RTBR 377 NF	2.156,00
HH	IT RTBR 377 HH	2.556,00
CZ	IT RTBR 377 CZ	2.556,00
US	IT RTBR 377 US	2.556,00
UZ	IT RTBR 377 UZ	2.556,00
DD	IT RTBR 377 DD	3.451,00
DZ	IT RTBR 377 DZ	3.451,00
SZ	IT RTBR 377 SZ	3.451,00

Soffione a soffitto ad incasso con pioggia e cascata
Concealed showerhead with rain and cascade
Douche de tête à encastrer, fixation au plafond, pluie et cascade
UP Brause mit Regen und Wasserfall



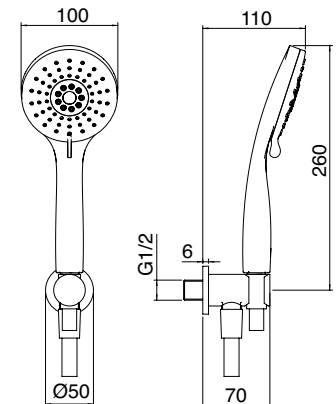
CC	IT RTBR 380 CC	903,00
NN	IT RTBR 380 NN	1.200,00
NL	IT RTBR 380 NL	1.174,00
NF	IT RTBR 380 NF	1.174,00
HH	IT RTBR 380 HH	1.390,00
CZ	IT RTBR 380 CZ	1.390,00
US	IT RTBR 380 US	1.390,00
UZ	IT RTBR 380 UZ	1.390,00
DD	IT RTBR 380 DD	1.877,00
DZ	IT RTBR 380 DZ	1.877,00
SZ	IT RTBR 380 SZ	1.877,00

Soffione a parete anticalcare
Anti-limescale shower-head
Douche de tête anticalcaire avec bras mural
Antikalk Kopfbrause mit Arm



CC	RWIT 2705 CC 75	97,00
NN	RWIT 2705 NN 75	129,00
NF	RWIT 2705 NF 75	126,00

Kit gancio, flessibile, doccia
Hook, flexible and hand shower kit
Kit support, flexible et douche
Brausehalter, Schlauch und Handbrause





CC	RWIT 2705 CC 74	123,00
NN	RWIT 2705 NN 74	189,00
NL	RWIT 2705 NL 74	184,00
NF	RWIT 2705 NF 74	184,00
HH	RWIT 2705 HH 74	189,00
CZ	RWIT 2705 CZ 74	189,00
US	RWIT 2705 US 74	189,00
UZ	RWIT 2705 UZ 74	189,00
DD	RWIT 2705 DD 74	257,00
DZ	RWIT 2705 DZ 74	255,00
SZ	RWIT 2705 SZ 74	255,00

Kit gancio, flessibile, doccia
 Hook, flexible and hand shower kit
 Kit support, flexible et douche
 Brausehalter, Schlauch und Handbrause



1,5 M PVC



METAL



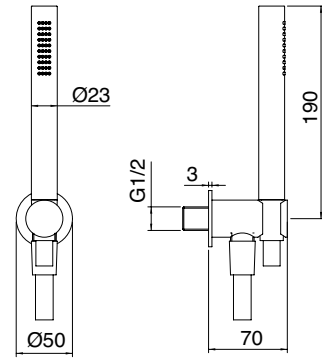
1/2 M



1/2 M



8 l/min



CC	IT 6595 CC ZZ ZZ	218,00
NN	IT 6595 NN ZZ ZZ	290,00
NF	IT 6595 NF ZZ ZZ	283,00

Kit saliscendi senza presa acqua
 Sliding-bar kit without wall hose outlet
 Barre coulissante sans coude mural
 Gleitstange ohne Wandanschlussbogen



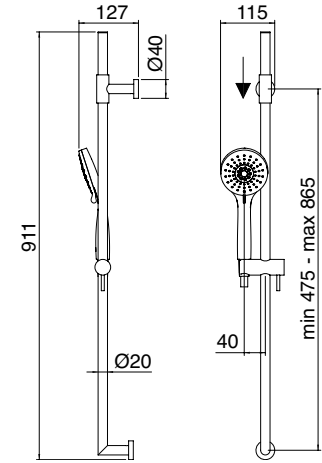
1,5 M PVC



ABS



8 l/min



CC	IT 6529 CC ZZ ZZ	223,00
NN	IT 6529 NN ZZ ZZ	319,00
NL	IT 6529 NL ZZ ZZ	315,00
NF	IT 6529 NF ZZ ZZ	315,00
HH	IT 6529 HH ZZ ZZ	343,00
CZ	IT 6529 CZ ZZ ZZ	343,00
US	IT 6529 US ZZ ZZ	343,00
UZ	IT 6529 UZ ZZ ZZ	343,00
DD	IT 6529 DD ZZ ZZ	446,00
DZ	IT 6529 DZ ZZ ZZ	463,00
SZ	IT 6529 SZ ZZ ZZ	463,00

Kit saliscendi senza presa acqua
 Sliding-bar kit without wall hose outlet
 Barre coulissante sans coude mural
 Gleitstange ohne Wandanschlussbogen



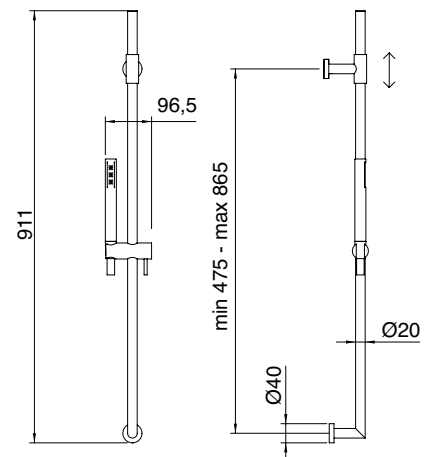
1,5 M PVC



METAL



8 l/min



CC	IT RTGA 123 CC	25,00
NN	IT RTGA 123 NN	39,00
NL	IT RTGA 123 NL	49,00
NF	IT RTGA 123 NF	49,00
HH	IT RTGA 123 HH	27,00
CZ	IT RTGA 123 CZ	27,00
US	IT RTGA 123 US	27,00
UZ	IT RTGA 123 UZ	27,00
DD	IT RTGA 123 DD	34,00
DZ	IT RTGA 123 DZ	38,00
SZ	IT RTGA 123 SZ	38,00

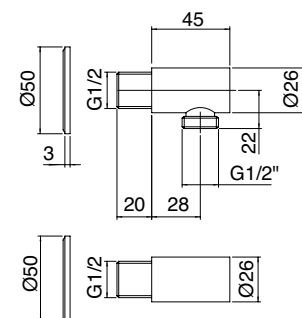
Presa acqua a muro
 Wall hose outlet
 Coude mural
 Wandanschlussbogen



1/2 M



1/2 M

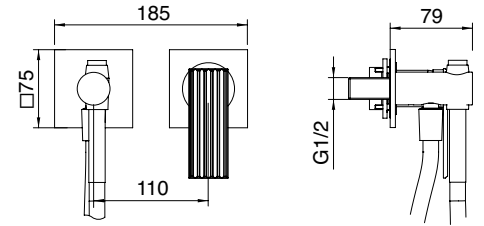




CC	RWIT 2AD4 CC 02	349,00
NN	RWIT 2AD4 NN 02	495,00
NL	RWIT 2AD4 NL 02	488,00
NF	RWIT 2AD4 NF 02	488,00
HH	RWIT 2AD4 HH 02	600,00
CZ	RWIT 2AD4 CZ 02	600,00
US	RWIT 2AD4 US 02	600,00
UZ	RWIT 2AD4 UZ 02	600,00
DD	RWIT 2AD4 DD 02	770,00
DZ	RWIT 2AD4 DZ 02	770,00
SZ	RWIT 2AD4 SZ 02	770,00

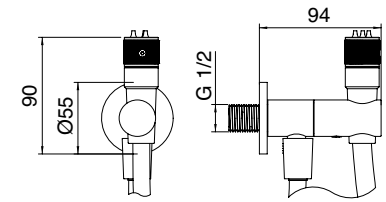
Miscelatore incasso con doccia per WC
 Concealed mixer with wc hand shower
 Mitigeur à encastrer avec douche WC
 U-P Mischer mit WC Handbrause

RWIT 51A5 ZZ 01 138,00
 + PARTI INCASSO - CONCEALED BODY
 CORPS À ENCASTRER - UNTERPUTZTEIL

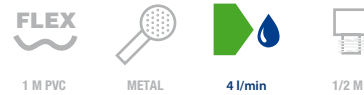
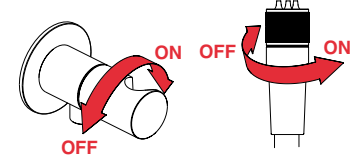


CC	RWIT 6565 CC 05	273,00
NN	RWIT 6565 NN 05	364,00
NL	RWIT 6565 NL 05	356,00
NF	RWIT 6565 NF 05	356,00
HH	RWIT 6565 HH 05	422,00
CZ	RWIT 6565 CZ 05	422,00
US	RWIT 6565 US 05	422,00
UZ	RWIT 6565 UZ 05	422,00
DD	RWIT 6565 DD 05	569,00
DZ	RWIT 6565 DZ 05	569,00
SZ	RWIT 6565 SZ 05	569,00

Idroscopino per WC
 WC hand shower set
 Douchette pour WC
 Handbrause Set für WC



INSTRUCTION FOR USE



Per ulteriori composizioni doccia vedi sezione SHOWERS & THERMOSTATICS

For other shower fittings check the SHOWERS & THERMOSTATICS section

Pour d'autres solutions douche voir section SHOWERS & THERMOSTATICS

Für weitere duschaustattungen siehe abschnitt SHOWERS & THERMOSTATICS

Hedó

design by giancarlo vegni



- chrome **CC**
- matte black **NN**
- matte white **BB**
- polished nickel **NL**
- brushed nickel **NF**
- polished black chrome **HH**
- brushed black chrome **CZ**
- gold **DD**
- brushed gold **DZ**
- brushed rose gold **SZ**

WATT

W-70S

Q30

T30

KEA

IOS

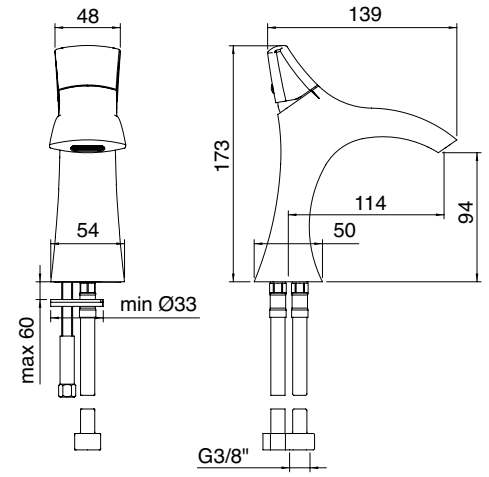
HEDÓ

Hedó



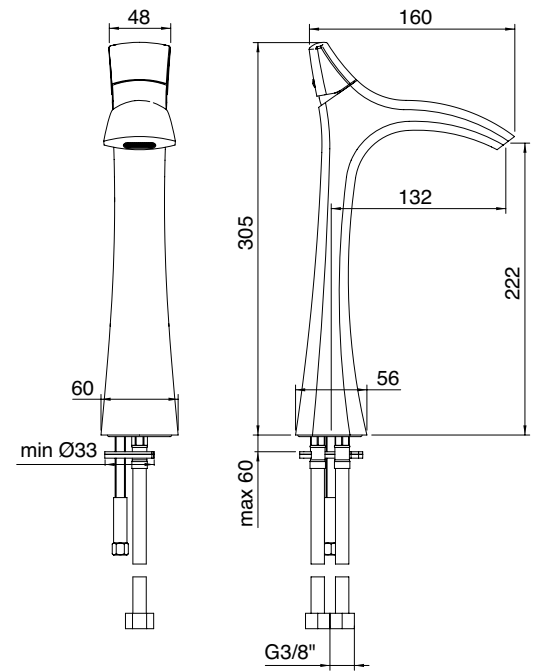
CC	IT 0911 CC HE ZZ	237,00
NN	IT 0911 NN HE ZZ	316,00
BB	IT 0911 BB HE ZZ	316,00
NL	IT 0911 NL HE ZZ	308,00
NF	IT 0911 NF HE ZZ	308,00
HH	IT 0911 HH HE ZZ	366,00
CZ	IT 0911 CZ HE ZZ	366,00
DD	IT 0911 DD HE ZZ	494,00
DZ	IT 0911 DZ HE ZZ	494,00
SZ	IT 0911 SZ HE ZZ	494,00

Miscelatore monocomando lavabo / bidet 94
 Washbasin / bidet mixer 94
 Mitigeur lavabo / bidet 94
 Einhand-Waschtischmischer / Bidetmischer 94



CC	IT 0918 CC HE ZZ	412,00
NN	IT 0918 NN HE ZZ	548,00
BB	IT 0918 BB HE ZZ	548,00
NL	IT 0918 NL HE ZZ	536,00
NF	IT 0918 NF HE ZZ	536,00
HH	IT 0918 HH HE ZZ	634,00
CZ	IT 0918 CZ HE ZZ	634,00
DD	IT 0918 DD HE ZZ	856,00
DZ	IT 0918 DZ HE ZZ	856,00
SZ	IT 0918 SZ HE ZZ	856,00

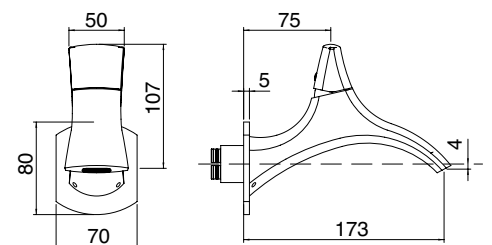
Miscelatore monocomando lavabo 222
 Washbasin mixer 222
 Mitigeur lavabo 222
 Einhand-Waschtischmischer 222



CC	RWIT 0951 CC 10	351,00
NN	RWIT 0951 NN 10	499,00
BB	RWIT 0951 BB 10	499,00
NL	RWIT 0951 NL 10	491,00
NF	RWIT 0951 NF 10	491,00
HH	RWIT 0951 HH 10	604,00
CZ	RWIT 0951 CZ 10	604,00
DD	RWIT 0951 DD 10	774,00
DZ	RWIT 0951 DZ 10	774,00
SZ	RWIT 0951 SZ 10	774,00

RWIT 7051 ZZ 07 141,00
 + PARTI INCASSO - CONCEALED BODY
 CORPS À ENCASTRER - UNTERPUTZTEIL

Miscelatore monocomando lavabo incasso 173
 Concealed washbasin mixer 173
 Mitigeur lavabo à encastrer 173
 UP-Einhand-Waschtischmischer 173





WATT

W-70S

Q30

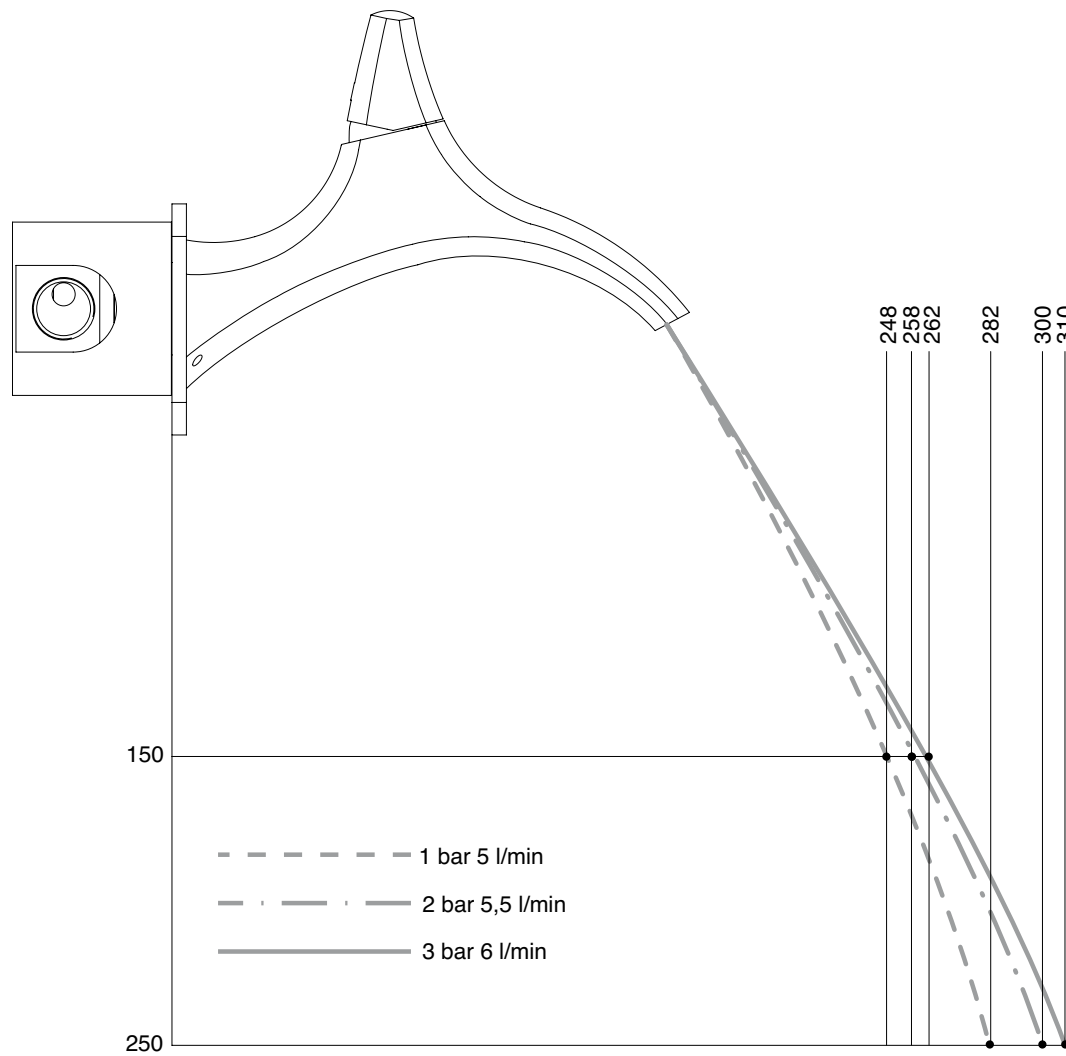
T30

KEA

IOS

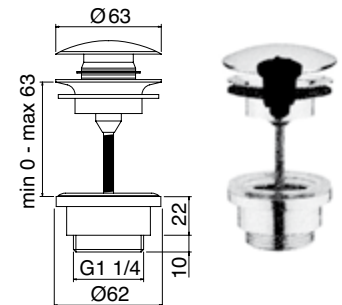
HEDÓ





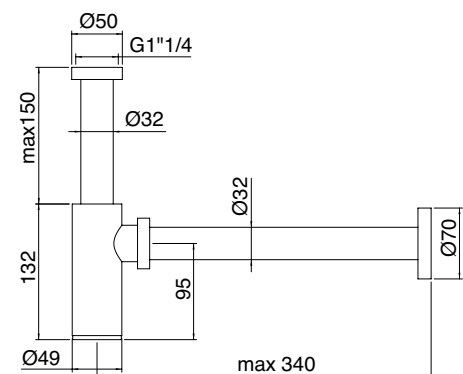
CC	IT RTSA 117 CC	28,00
NN	IT RTSA 117 NN	38,00
BB	IT RTSA 117 BB	38,00
NL	IT RTSA 117 NL	39,00
NF	IT RTSA 117 NF	39,00
HH	IT RTSA 117 HH	45,00
CZ	IT RTSA 117 CZ	45,00
DD	IT RTSA 117 DD	54,00
DZ	IT RTSA 117 DZ	59,00
SZ	IT RTSA 117 SZ	59,00

Scarico click-clack universale con inserto per sempre aperto
 Universal up/down pop-up waste with adaptor for continuous water flow
 Bonde click-clack universelle avec option écoulement libre
 Universal-Ablaufgarnitur Click-Clack mit Verschußsperre



CC	IT 0405 CC ZZ ZZ	88,00
NN	IT 0405 NN ZZ ZZ	177,00
BB	IT 0405 BB ZZ ZZ	177,00
NL	IT 0405 NL ZZ ZZ	167,00
NF	IT 0405 NF ZZ ZZ	167,00
HH	IT 0405 HH ZZ ZZ	136,00
CZ	IT 0405 CZ ZZ ZZ	136,00
DD	IT 0405 DD ZZ ZZ	201,00
DZ	IT 0405 DZ ZZ ZZ	184,00
SZ	IT 0405 SZ ZZ ZZ	184,00

Sifone a vista
 Drain-trap
 Siphon
 Siphon für Waschtisch





NL
polished nickel



HH
polished black chrome

HEDÓ
IOS
KEA
T30
Q30
W-70S
WATT



DD
gold



CC
chrome

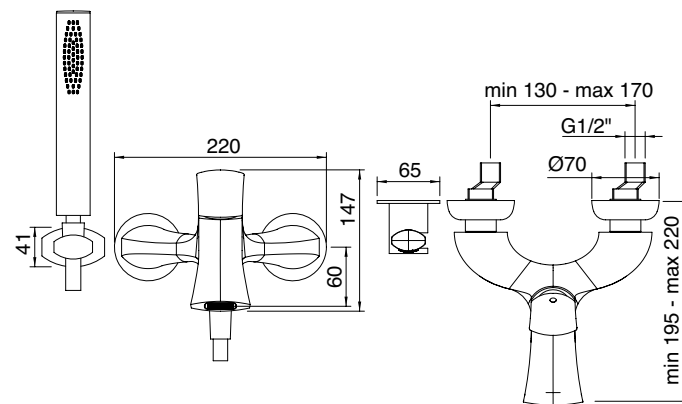


IT 0900 CC HE ZZ



CC	IT 0900 CC HE ZZ	726,00
NN	IT 0900 NN HE ZZ	965,00
BB	IT 0900 BB HE ZZ	965,00
NL	IT 0900 NL HE ZZ	943,00
NF	IT 0900 NF HE ZZ	943,00
HH	IT 0900 HH HE ZZ	1.117,00
CZ	IT 0900 CZ HE ZZ	1.117,00
DD	IT 0900 DD HE ZZ	1.507,00
DZ	IT 0900 DZ HE ZZ	1.507,00
SZ	IT 0900 SZ HE ZZ	1.507,00

Miscelatore monocomando esterno vasca
Wall-mtd. bathtub mixer
Mitigeur bain/douche mural
AP-Badewannen-Einhandbatterie

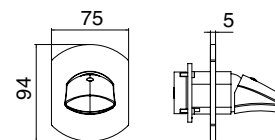


								
ITRTVT131ZZ	ITRTAE135ZZ	ITRTAT112ZZ	1,5 M PVC	METAL	DIVERTER	17 l/min	8 l/min	N° 67



CC	RWIT 09C8 CC 01	362,00
NN	RWIT 09C8 NN 01	512,00
BB	RWIT 09C8 BB 01	512,00
NL	RWIT 09C8 NL 01	505,00
NF	RWIT 09C8 NF 01	505,00
HH	RWIT 09C8 HH 01	621,00
CZ	RWIT 09C8 CZ 01	621,00
DD	RWIT 09C8 DD 01	797,00
DZ	RWIT 09C8 DZ 01	797,00
SZ	RWIT 09C8 SZ 01	797,00

RWIT 51A8 ZZ 03 128,00
 + PARTI INCASSO - CONCEALED BODY
 CORPS À ENCASTRER - UNTERPUTZTEIL

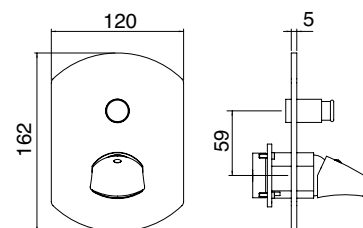


Monocomando remoto lavabo/doccia incasso
 Concealed washbasin/shower mixer
 Mitigeur lavabo/douche à encastrer
 UP-Waschtisch/Dusche Mischer



CC	RWIT 09B1 CC 01	357,00
NN	RWIT 09B1 NN 01	506,00
BB	RWIT 09B1 BB 01	506,00
NL	RWIT 09B1 NL 01	499,00
NF	RWIT 09B1 NF 01	499,00
HH	RWIT 09B1 HH 01	613,00
CZ	RWIT 09B1 CZ 01	613,00
DD	RWIT 09B1 DD 01	787,00
DZ	RWIT 09B1 DZ 01	787,00
SZ	RWIT 09B1 SZ 01	787,00

RWIT 51B1 ZZ 03 160,00
 + PARTI INCASSO - CONCEALED BODY
 CORPS À ENCASTRER - UNTERPUTZTEIL

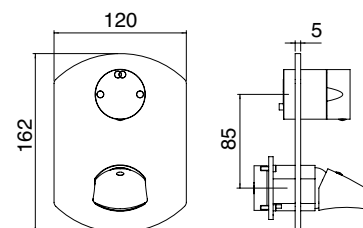


Miscelatore monocomando vasca/doccia incasso
 Concealed bath/shower mixer with diverter
 Mitigeur bain/douche à encastrer avec inverseur
 UP Wanne/Brause Einhebelmischer

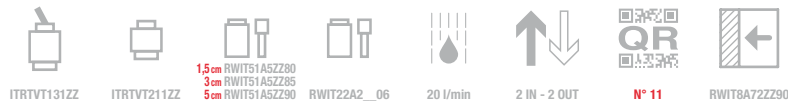


CC	RWIT 09A2 CC 01	271,00
NN	RWIT 09A2 NN 01	386,00
BB	RWIT 09A2 BB 01	386,00
NL	RWIT 09A2 NL 01	381,00
NF	RWIT 09A2 NF 01	381,00
HH	RWIT 09A2 HH 01	467,00
CZ	RWIT 09A2 CZ 01	467,00
DD	RWIT 09A2 DD 01	600,00
DZ	RWIT 09A2 DZ 01	600,00
SZ	RWIT 09A2 SZ 01	600,00

RWIT 22A2 ZZ 01 237,00
 + PARTI INCASSO - CONCEALED BODY
 CORPS À ENCASTRER - UNTERPUTZTEIL

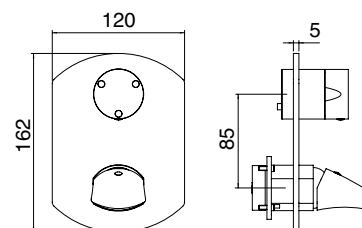


Miscelatore monocomando con deviatore 2 uscite
 Concealed mixer with 2 ways diverter
 Mitigeur à encastrer avec inverseur à 2 sorties
 EHM UP mit 2 Wege Umsteller



CC	RWIT 09A3 CC 01	299,00
NN	RWIT 09A3 NN 01	424,00
BB	RWIT 09A3 BB 01	424,00
NL	RWIT 09A3 NL 01	419,00
NF	RWIT 09A3 NF 01	419,00
HH	RWIT 09A3 HH 01	513,00
CZ	RWIT 09A3 CZ 01	513,00
DD	RWIT 09A3 DD 01	660,00
DZ	RWIT 09A3 DZ 01	660,00
SZ	RWIT 09A3 SZ 01	660,00

RWIT 22A2 ZZ 01 237,00
 + PARTI INCASSO - CONCEALED BODY
 CORPS À ENCASTRER - UNTERPUTZTEIL



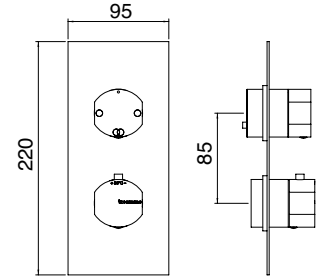
Miscelatore monocomando con deviatore 3 uscite
 Concealed mixer with 3 ways diverter
 Mitigeur à encastrer avec inverseur à 3 sorties
 EHM UP mit 3 Wege Umsteller





CC	RWIT 8A46 CC 30	265,00
NN	RWIT 8A46 NN 30	376,00
BB	RWIT 8A46 BB 30	376,00
NL	RWIT 8A46 NL 30	371,00
NF	RWIT 8A46 NF 30	371,00
HH	RWIT 8A46 HH 30	457,00
CZ	RWIT 8A46 CZ 30	457,00
DD	RWIT 8A46 DD 30	586,00
DZ	RWIT 8A46 DZ 30	586,00
SZ	RWIT 8A46 SZ 30	586,00

RWIT 8A46 ZZ 20 309,00
 + PARTI INCASSO - CONCEALED BODY
 CORPS À ENCASTRER - UNTERPUTZTEIL

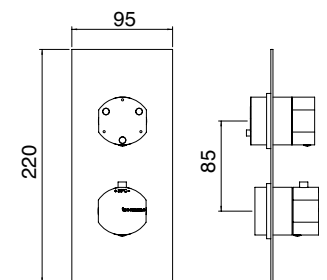


Termostatico incasso con deviatore 2 uscite
 Concealed thermostatic with 2 ways diverter
 Thermostatique à encastrer avec inverseur à 2 sorties
 UP-Thermostat mit 2 Wege Umsteller



CC	RWIT 8A72 CC 30	311,00
NN	RWIT 8A72 NN 30	441,00
BB	RWIT 8A72 BB 30	441,00
NL	RWIT 8A72 NL 30	435,00
NF	RWIT 8A72 NF 30	435,00
HH	RWIT 8A72 HH 30	534,00
CZ	RWIT 8A72 CZ 30	534,00
DD	RWIT 8A72 DD 30	686,00
DZ	RWIT 8A72 DZ 30	686,00
SZ	RWIT 8A72 SZ 30	686,00

RWIT 8A46 ZZ 20 309,00
 + PARTI INCASSO - CONCEALED BODY
 CORPS À ENCASTRER - UNTERPUTZTEIL

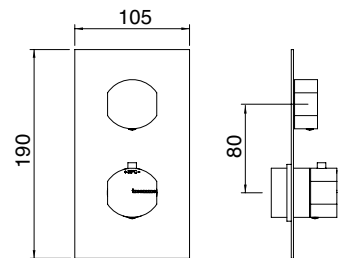


Termostatico incasso con deviatore 3 uscite
 Concealed thermostatic with 3 ways diverter
 Thermostatique à encastrer avec inverseur à 3 sorties
 UP-Thermostat mit 3 Wege Umsteller

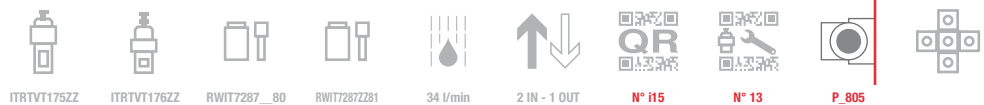


CC	RWIT 7287 CC 40	222,00
NN	RWIT 7287 NN 40	316,00
BB	RWIT 7287 BB 40	316,00
NL	RWIT 7287 NL 40	311,00
NF	RWIT 7287 NF 40	311,00
HH	RWIT 7287 HH 40	382,00
CZ	RWIT 7287 CZ 40	382,00
DD	RWIT 7287 DD 40	491,00
DZ	RWIT 7287 DZ 40	491,00
SZ	RWIT 7287 SZ 40	491,00

RWIT 7287 ZZ 30 458,00
 + PARTI INCASSO - CONCEALED BODY
 CORPS À ENCASTRER - UNTERPUTZTEIL

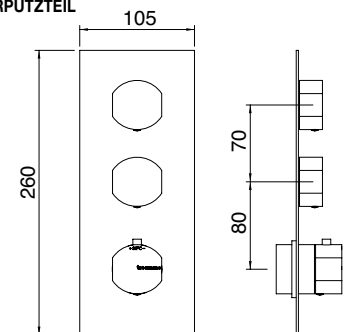


Termostatico incasso 1 uscita
 1 way concealed thermostatic
 Thermostatique à encastrer avec 1 sortie
 UP-Thermostat mit 1 Weg



CC	RWIT 7286 CC 40	346,00
NN	RWIT 7286 NN 40	491,00
BB	RWIT 7286 BB 40	491,00
NL	RWIT 7286 NL 40	484,00
NF	RWIT 7286 NF 40	484,00
HH	RWIT 7286 HH 40	595,00
CZ	RWIT 7286 CZ 40	595,00
DD	RWIT 7286 DD 40	764,00
DZ	RWIT 7286 DZ 40	764,00
SZ	RWIT 7286 SZ 40	764,00

RWIT 7286 ZZ 30 680,00
 + PARTI INCASSO - CONCEALED BODY
 CORPS À ENCASTRER - UNTERPUTZTEIL



Termostatico incasso 2 uscite
 2 ways concealed thermostatic
 Thermostatique à encastrer avec 2 sorties
 UP-Thermostat mit 2 Wege





WATT

W-70S

Q30

T30

KEA

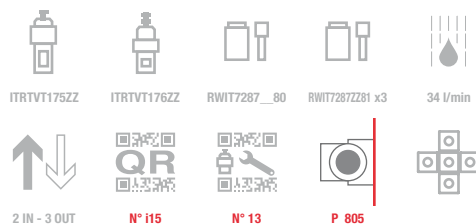
IOS

HEDÓ

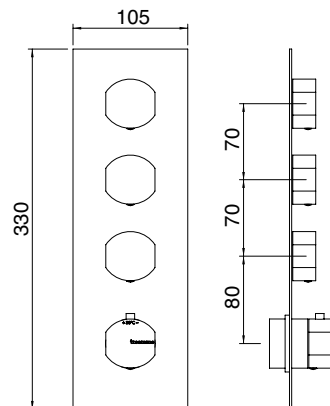


CC	RWIT 7294 CC 40	469,00
NN	RWIT 7294 NN 40	667,00
BB	RWIT 7294 BB 40	667,00
NL	RWIT 7294 NL 40	657,00
NF	RWIT 7294 NF 40	657,00
HH	RWIT 7294 HH 40	807,00
CZ	RWIT 7294 CZ 40	807,00
DD	RWIT 7294 DD 40	1.037,00
DZ	RWIT 7294 DZ 40	1.037,00
SZ	RWIT 7294 SZ 40	1.037,00

Termostatico incasso 3 uscite
3 ways concealed thermostatic
Thermostatique à encastrer avec 3 sorties
UP-Thermostat mit 3 Wege



RWIT 7294 ZZ 30 855,00
+ PARTI INCASSO - CONCEALED BODY
CORPS À ENCASTRER - UNTERPUTZTEIL

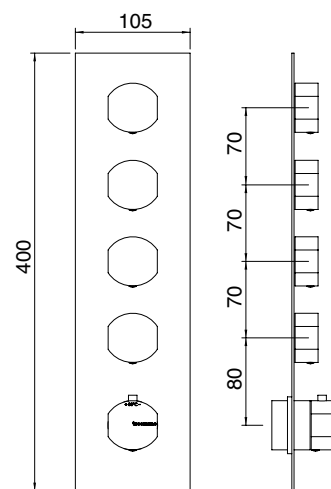


CC	RWIT 7297 CC 33	577,00
NN	RWIT 7297 NN 33	820,00
BB	RWIT 7297 BB 33	820,00
NL	RWIT 7297 NL 33	808,00
NF	RWIT 7297 NF 33	808,00
HH	RWIT 7297 HH 33	993,00
CZ	RWIT 7297 CZ 33	993,00
DD	RWIT 7297 DD 33	1.276,00
DZ	RWIT 7297 DZ 33	1.276,00
SZ	RWIT 7297 SZ 33	1.276,00

Termostatico incasso 4 uscite
4 ways concealed thermostatic
Thermostatique à encastrer avec 4 sorties
UP-Thermostat mit 4 Wege



RWIT 7297 ZZ 30 1.030,00
+ PARTI INCASSO - CONCEALED BODY
CORPS À ENCASTRER - UNTERPUTZTEIL

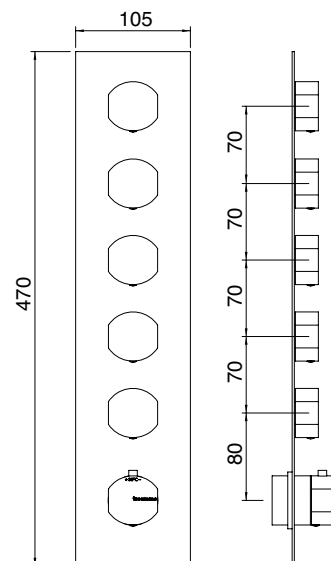


CC	RWIT 7298 CC 33	685,00
NN	RWIT 7298 NN 33	974,00
BB	RWIT 7298 BB 33	974,00
NL	RWIT 7298 NL 33	959,00
NF	RWIT 7298 NF 33	959,00
HH	RWIT 7298 HH 33	1.179,00
CZ	RWIT 7298 CZ 33	1.179,00
DD	RWIT 7298 DD 33	1.515,00
DZ	RWIT 7298 DZ 33	1.515,00
SZ	RWIT 7298 SZ 33	1.515,00

Termostatico incasso 5 uscite
5 ways concealed thermostatic
Thermostatique à encastrer avec 5 sorties
UP-Thermostat mit 5 Wege



RWIT 7298 ZZ 30 1.205,00
+ PARTI INCASSO - CONCEALED BODY
CORPS À ENCASTRER - UNTERPUTZTEIL

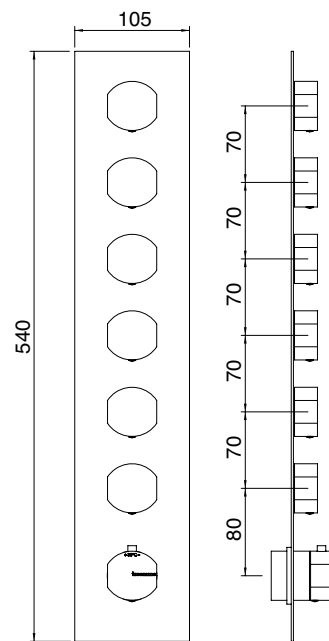




CC	RWIT 7264 CC 33	794,00
NN	RWIT 7264 NN 33	1.127,00
BB	RWIT 7264 BB 33	1.127,00
NL	RWIT 7264 NL 33	1.111,00
NF	RWIT 7264 NF 33	1.111,00
HH	RWIT 7264 HH 33	1.365,00
CZ	RWIT 7264 CZ 33	1.365,00
DD	RWIT 7264 DD 33	1.754,00
DZ	RWIT 7264 DZ 33	1.754,00
SZ	RWIT 7264 SZ 33	1.754,00

Termostatico incasso 6 uscite
6 ways concealed thermostatic
Thermostatique à encastrer avec 6 sorties
UP-Thermostat mit 6 Wege

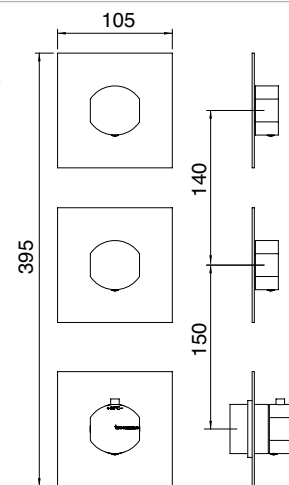
RWIT 7264 ZZ 30 1.380,00
+ PARTI INCASSO - CONCEALED BODY
CORPS À ENCASTRER - UNTERPUTZTEIL



CC	RWIT 7274 CC 41	391,00
NN	RWIT 7274 NN 41	556,00
BB	RWIT 7274 BB 41	556,00
NL	RWIT 7274 NL 41	547,00
NF	RWIT 7274 NF 41	547,00
HH	RWIT 7274 HH 41	672,00
CZ	RWIT 7274 CZ 41	672,00
DD	RWIT 7274 DD 41	864,00
DZ	RWIT 7274 DZ 41	864,00
SZ	RWIT 7274 SZ 41	864,00

Termostatico incasso 2 uscite
2 ways concealed thermostatic
Thermostatique à encastrer avec 2 sorties
UP-Thermostat mit 2 Wege

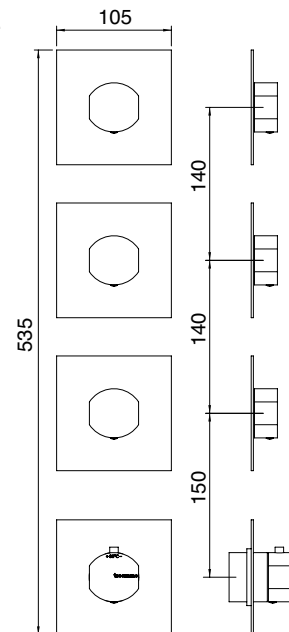
RWIT 7274 ZZ 40 762,00
+ PARTI INCASSO - CONCEALED BODY
CORPS À ENCASTRER - UNTERPUTZTEIL



CC	RWIT 7275 CC 42	536,00
NN	RWIT 7275 NN 42	762,00
BB	RWIT 7275 BB 42	762,00
NL	RWIT 7275 NL 42	750,00
NF	RWIT 7275 NF 42	750,00
HH	RWIT 7275 HH 42	922,00
CZ	RWIT 7275 CZ 42	922,00
DD	RWIT 7275 DD 42	1.185,00
DZ	RWIT 7275 DZ 42	1.185,00
SZ	RWIT 7275 SZ 42	1.185,00

Termostatico incasso 3 uscite
3 ways concealed thermostatic
Thermostatique à encastrer avec 3 sorties
UP-Thermostat mit 3 Wege

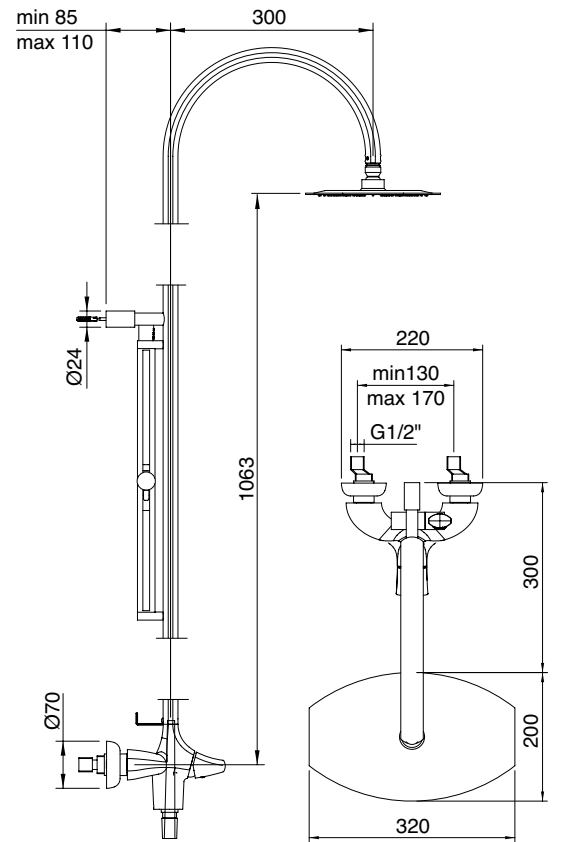
RWIT 7275 ZZ 40 937,00
+ PARTI INCASSO - CONCEALED BODY
CORPS À ENCASTRER - UNTERPUTZTEIL





CC	IT 0960 CC HE ZZ	1.706,00
NN	IT 0960 NN HE ZZ	2.269,00
BB	IT 0960 BB HE ZZ	2.269,00
NL	IT 0960 NL HE ZZ	2.217,00
NF	IT 0960 NF HE ZZ	2.217,00
HH	IT 0960 HH HE ZZ	2.627,00
CZ	IT 0960 CZ HE ZZ	2.627,00
DD	IT 0960 DD HE ZZ	3.547,00
DZ	IT 0960 DZ HE ZZ	3.547,00
SZ	IT 0960 SZ HE ZZ	3.547,00

Gruppo doccia con doccetta e soffione anticalcare
Wall-mtd. shower set, anti-limescale
hand-shower and shower head
Mitigeur douche mural, douchette et tête
de douche anticalcaire
Regenbrause-Set, Antikalk Handbrause
und Kopfbrause



ITRTVT131ZZ



1,5 M PVC



METAL



METAL
200 x 320 mm



DIVERTER



N° 67



9 l/min

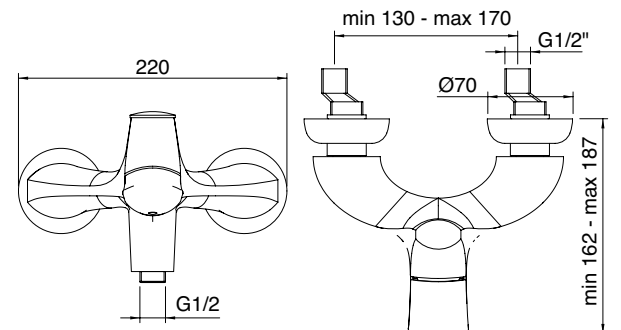


8 l/min



CC	IT 0956 CC HE ZZ	586,00
NN	IT 0956 NN HE ZZ	777,00
BB	IT 0956 BB HE ZZ	777,00
NL	IT 0956 NL HE ZZ	761,00
NF	IT 0956 NF HE ZZ	761,00
HH	IT 0956 HH HE ZZ	901,00
CZ	IT 0956 CZ HE ZZ	901,00
DD	IT 0956 DD HE ZZ	1.216,00
DZ	IT 0956 DZ HE ZZ	1.216,00
SZ	IT 0956 SZ HE ZZ	1.216,00

Miscelatore monocomando esterno doccia
Wall-mtd. shower mixer
Mitigeur douche mural
AP-Brause-Einhandbatterie



ITRTVT131ZZ



1/2 M



1/2 M x2



N° 67



23 l/min



WATT

W-70S

Q30

T30

KEA

IOS

HEDÓ

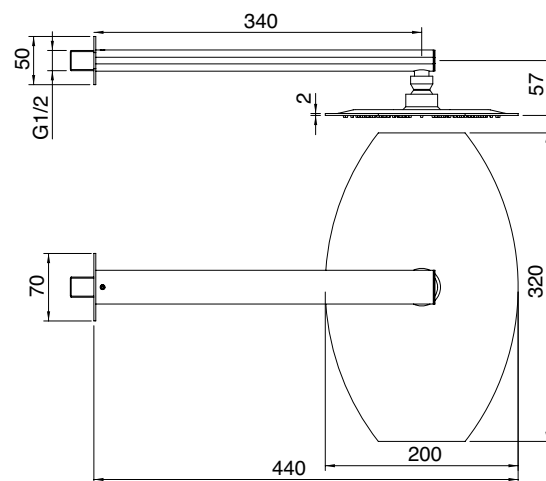
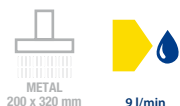


RWIT 0947 SZ 01 + RWIT 8A46 SZ 30
+ RWIT 0947 SZ 25 + IT RTGA 125 SZ



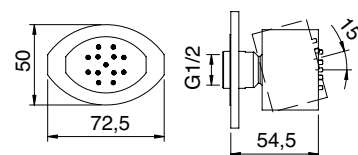
CC	RWIT 0947 CC 01	517,00
NN	RWIT 0947 NN 01	686,00
BB	RWIT 0947 BB 01	686,00
NL	RWIT 0947 NL 01	670,00
NF	RWIT 0947 NF 01	670,00
HH	RWIT 0947 HH 01	795,00
CZ	RWIT 0947 CZ 01	795,00
DD	RWIT 0947 DD 01	1.073,00
DZ	RWIT 0947 DZ 01	1.073,00
SZ	RWIT 0947 SZ 01	1.073,00

Soffione a parete anticalcare
Anti-limescale shower-head
Douche tête anticalcaire avec bras mural
Antikalk Kopfbrause mit Arm



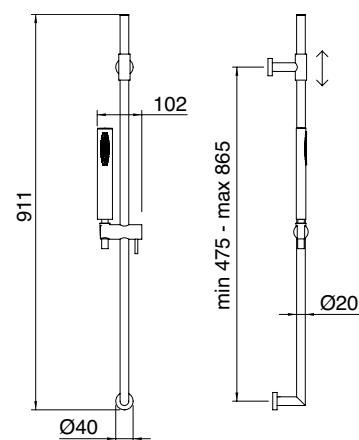
CC	IT RTBR 126 CC	163,00
NN	IT RTBR 126 NN	217,00
BB	IT RTBR 126 BB	217,00
NL	IT RTBR 126 NL	211,00
NF	IT RTBR 126 NF	211,00
HH	IT RTBR 126 HH	251,00
CZ	IT RTBR 126 CZ	251,00
DD	IT RTBR 126 DD	337,00
DZ	IT RTBR 126 DZ	337,00
SZ	IT RTBR 126 SZ	337,00

Soffione laterale
Nozzle
Buse
Düse



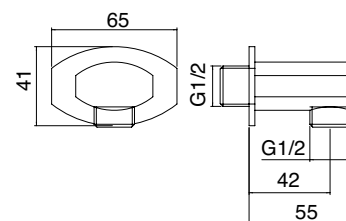
CC	RWIT 0947 CC 25	227,00
NN	RWIT 0947 NN 25	302,00
BB	RWIT 0947 BB 25	302,00
NL	RWIT 0947 NL 25	295,00
NF	RWIT 0947 NF 25	295,00
HH	RWIT 0947 HH 25	350,00
CZ	RWIT 0947 CZ 25	350,00
DD	RWIT 0947 DD 25	472,00
DZ	RWIT 0947 DZ 25	472,00
SZ	RWIT 0947 SZ 25	472,00

Kit saliscendi senza presa acqua
Sliding-bar kit without wall hose outlet
Barre coulissante sans coude mural
Gleitstange ohne Wandaschlussbogen



CC	IT RTGA 125 CC	64,00
NN	IT RTGA 125 NN	86,00
BB	IT RTGA 125 BB	86,00
NL	IT RTGA 125 NL	84,00
NF	IT RTGA 125 NF	84,00
HH	IT RTGA 125 HH	99,00
CZ	IT RTGA 125 CZ	99,00
DD	IT RTGA 125 DD	133,00
DZ	IT RTGA 125 DZ	133,00
SZ	IT RTGA 125 SZ	133,00

Presa acqua a muro
Wall hose outlet
Coude mural
Wandaschlussbogen





CC	IT 6531 CC ZZ ZZ	216,00
NN	IT 6531 NN ZZ ZZ	287,00
BB	IT 6531 BB ZZ ZZ	287,00
NL	IT 6531 NL ZZ ZZ	280,00
NF	IT 6531 NF ZZ ZZ	280,00
HH	IT 6531 HH ZZ ZZ	331,00
CZ	IT 6531 CZ ZZ ZZ	331,00
DD	IT 6531 DD ZZ ZZ	446,00
DZ	IT 6531 DZ ZZ ZZ	446,00
SZ	IT 6531 SZ ZZ ZZ	446,00

Kit gancio, flessibile, doccia
 Hook, flexible and hand shower kit
 Kit support, flexible et douche
 Brausehalter, Schlauch und Handbrause



1,5 M PVC



METAL



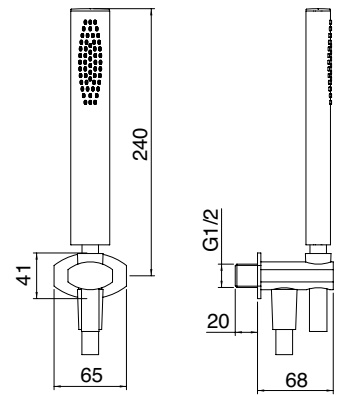
1/2 M



1/2 M



8 l/min



CC	IT RTGA 127 CC	70,00
NN	IT RTGA 127 NN	92,00
BB	IT RTGA 127 BB	92,00
NL	IT RTGA 127 NL	90,00
NF	IT RTGA 127 NF	90,00
HH	IT RTGA 127 HH	106,00
CZ	IT RTGA 127 CZ	106,00
DD	IT RTGA 127 DD	144,00
DZ	IT RTGA 127 DZ	144,00
SZ	IT RTGA 127 SZ	144,00

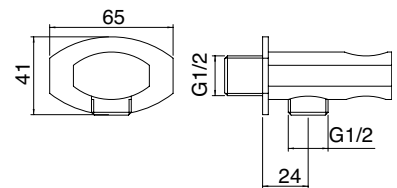
Preso acqua con gancio fisso
 Hand-shower hook with wall hose outlet
 Support pour douche fixe avec coude mural
 Brausehalter mit Wandanschlussbogen



1/2 M



1/2 M



CC	IT RTGA 114 CC	64,00
NN	IT RTGA 114 NN	86,00
BB	IT RTGA 114 BB	86,00
NL	IT RTGA 114 NL	84,00
NF	IT RTGA 114 NF	84,00
HH	IT RTGA 114 HH	99,00
CZ	IT RTGA 114 CZ	99,00
DD	IT RTGA 114 DD	133,00
DZ	IT RTGA 114 DZ	133,00
SZ	IT RTGA 114 SZ	133,00

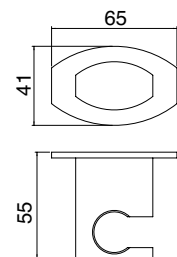
Gancio fisso
 Hand-shower hook
 Support pour douche fixe
 Brausehalter



1/2 M



1/2 M



Per ulteriori composizioni doccia vedi sezione SHOWERS & THERMOSTATICS

For other shower fittings check the SHOWERS & THERMOSTATICS section

Pour d'autres solutions douche voir section SHOWERS & THERMOSTATICS

Für weitere duschaustattungen siehe abschnitt SHOWERS & THERMOSTATICS

Philo

design by phicubo
alessandra bertini _ gianluca belli

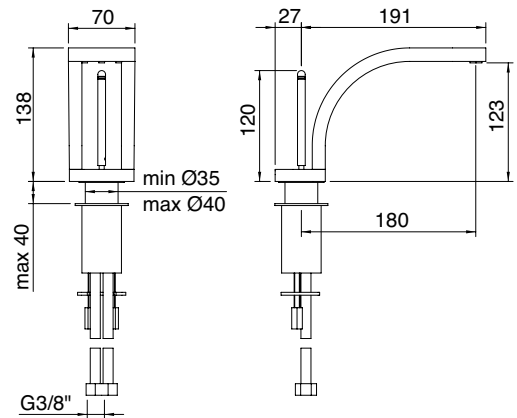
chrome **CC**
matt black **NN**
matt white **BB**
brushed nickel **NF**
polished black chrome **HH**





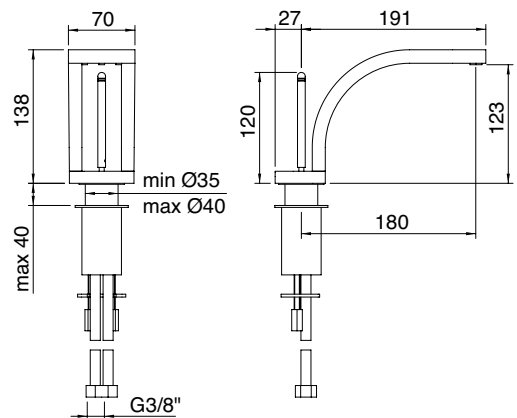
CC	IT 7011 CC PD ZZ	506,00
NN	IT 7011 NN PD ZZ	672,00
BB	IT 7011 BB PD ZZ	672,00
NF	IT 7011 NF PD ZZ	658,00
HH	IT 7011 HH PD ZZ	778,00

Miscelatore monocomando lavabo 122
 Washbasin mixer 122
 Mitigeur lavabo 122
 Einhand-Waschtischmischer 122



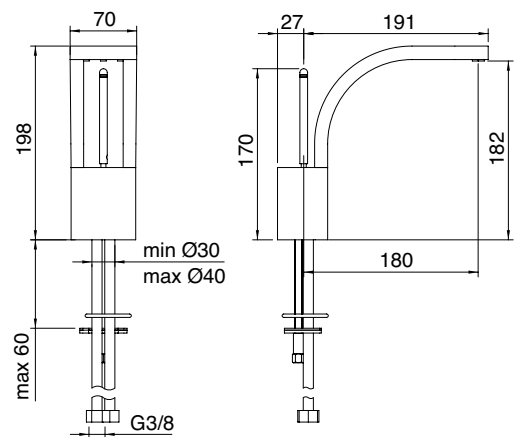
CC	IT 7011 CC PD CL	525,00
NN	IT 7011 NN PD CL	698,00
BB	IT 7011 BB PD CL	698,00
NF	IT 7011 NF PD CL	682,00
HH	IT 7011 HH PD CL	807,00

Miscelatore monocomando lavabo 122
 Washbasin mixer 122
 Mitigeur lavabo 122
 Einhand-Waschtischmischer 122



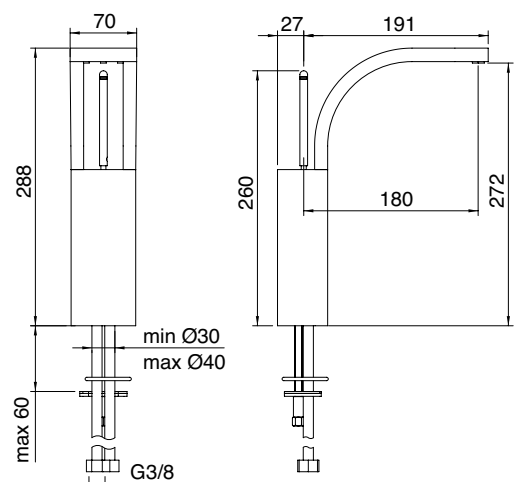
CC	IT 7027 CC PD ZZ	620,00
NN	IT 7027 NN PD ZZ	824,00
BB	IT 7027 BB PD ZZ	824,00
NF	IT 7027 NF PD ZZ	805,00
HH	IT 7027 HH PD ZZ	953,00

Miscelatore monocomando lavabo 182
 Washbasin mixer 182
 Mitigeur lavabo 182
 Einhand-Waschtischmischer 182



CC	IT 7018 CC PD ZZ	712,00
NN	IT 7018 NN PD ZZ	946,00
BB	IT 7018 BB PD ZZ	946,00
NF	IT 7018 NF PD ZZ	925,00
HH	IT 7018 HH PD ZZ	1.095,00

Miscelatore monocomando lavabo 272
 Washbasin mixer 272
 Mitigeur lavabo 272
 Einhand-Waschtischmischer 272





WATT

W-70S

Q30

T30

KEA

IOS

HEDÓ

PHILO

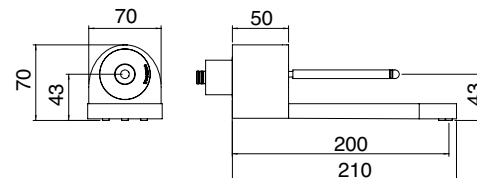


CC	RWIT 7051 CC 10	529,00
NN	RWIT 7051 NN 10	751,00
BB	RWIT 7051 BB 10	751,00
NF	RWIT 7051 NF 10	740,00
HH	RWIT 7051 HH 10	910,00

RWIT 7051 ZZ 07 141,00
 +  PARTI INCASO - CONCEALED BODY
 CORPS À ENCASTRER - UNTERPUTZTEIL

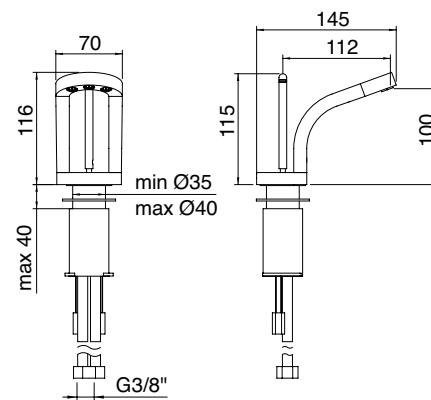


Miscelatore monocomando lavabo incasso
 Concealed washbasin mixer
 Mitigeur lavabo à encastrer
 UP-Einhand-Waschtischmischer



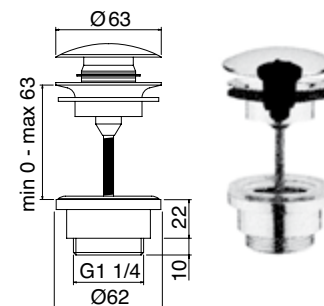
CC	IT 7022 CC PD ZZ	480,00
NN	IT 7022 NN PD ZZ	639,00
BB	IT 7022 BB PD ZZ	639,00
NF	IT 7022 NF PD ZZ	624,00
HH	IT 7022 HH PD ZZ	739,00

Miscelatore monocomando bidet
 Bidet mixer
 Mitigeur bidet
 Einhand-Bidetmischer



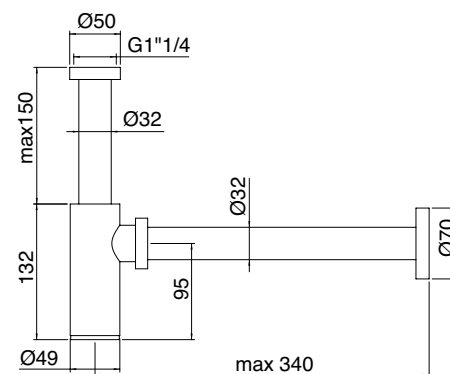
CC	IT RTSA 117 CC	28,00
NN	IT RTSA 117 NN	38,00
BB	IT RTSA 117 BB	38,00
NF	IT RTSA 117 NF	39,00
HH	IT RTSA 117 HH	45,00

Scarico click-clack universale con inserto per sempre aperto
 Universal up/down pop-up waste with adaptor for continuous water flow
 Bonde click-clack universelle avec option écoulement libre
 Universal-Ablaufgarnitur Click-Clack mit Verschlussperre



CC	IT 0405 CC ZZ ZZ	88,00
NN	IT 0405 NN ZZ ZZ	177,00
BB	IT 0405 BB ZZ ZZ	177,00
NF	IT 0405 NF ZZ ZZ	167,00
HH	IT 0405 HH ZZ ZZ	136,00

Sifone a vista
 Drain-trap
 Siphon
 Siphon für Waschtisch





CC
chrome



BB
matt white



NF
brushed nicke

Philo

WATT

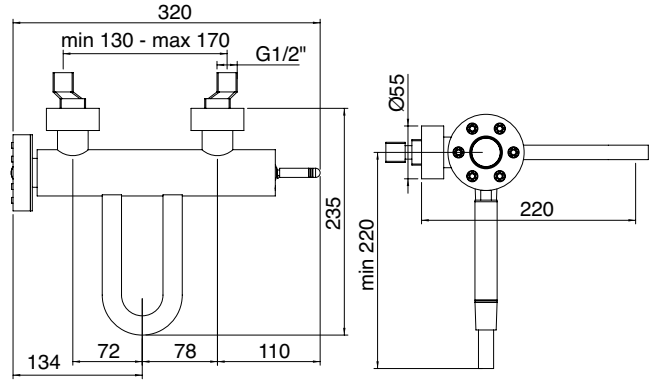
W-70S

Q30



CC	IT 7000 CC PD ZZ	988,00
NN	IT 7000 NN PD ZZ	1.315,00
BB	IT 7000 BB PD ZZ	1.315,00
NF	IT 7000 NF PD ZZ	1.285,00
HH	IT 7000 HH PD ZZ	1.521,00

Miscelatore monocomando esterno vasca
Wall-mtd. bathtub mixer
Mitigeur bain/douche mural
AP-Badewannen-Einhandbatterie



T30

KEA

IOS

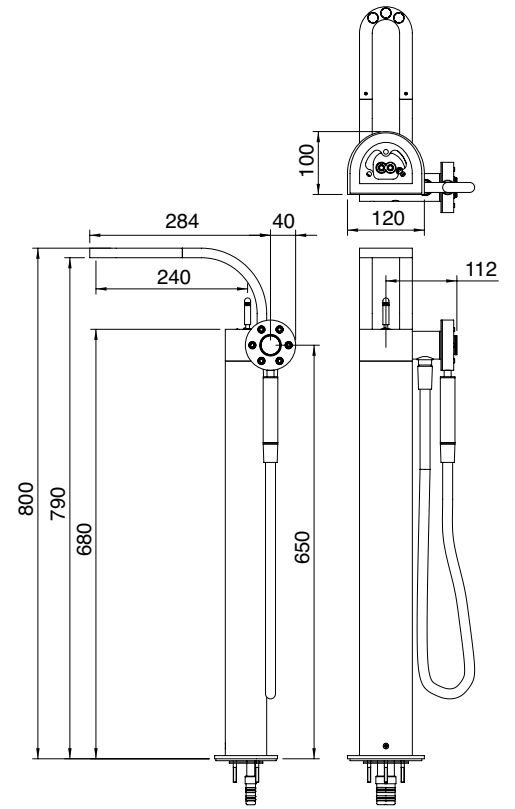
HEDÓ



CC	RWIT 7003 CC 10	1.848,00
NN	RWIT 7003 NN 10	2.625,00
BB	RWIT 7003 BB 10	2.625,00
NF	RWIT 7003 NF 10	2.588,00
HH	RWIT 7003 HH 10	3.178,00

Miscelatore monocomando vasca da terra
Floor standing bathub mixer
Mitigeur bain douche sur colonne au sol
Einhebel - Wannenstandarmatur

RWIT 7003 ZZ 09 253,00
+ PARTI INCASSO - CONCEALED BODY
CORPS À ENCASTRER - UNTERPUTZTEIL



PHILO

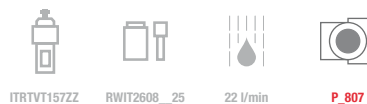
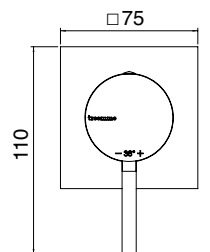


CC	RWIT 7582 CC 04	176,00
NN	RWIT 7582 NN 04	234,00
BB	RWIT 7582 BB 04	234,00
NF	RWIT 7582 NF 04	228,00
HH	RWIT 7582 HH 04	270,00

Termostatico incasso COAX
Concealed thermostatic COAX
Thermostatique à encastrer COAX
UP-Thermostat COAX

RWIT 7582 CC 02 142,00
RWIT 7582 NN 02 189,00
+ **RWIT 7582 BB 02 189,00**
RWIT 7582 NF 02 185,00
RWIT 7582 HH 02 219,00

PARTI INCASSO - CONCEALED BODY
CORPS À ENCASTRER - UNTERPUTZTEIL

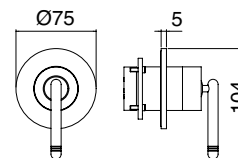


- CC RWIT 70C8 CC 01 221,00
- NN RWIT 70C8 NN 01 313,00
- BB RWIT 70C8 BB 01 313,00
- NF RWIT 70C8 NF 01 308,00
- HH RWIT 70C8 HH 01 379,00

- RWIT 51A8 ZZ 03 128,00**
- +  PARTI INCASSO - CONCEALED BODY
- CORPS À ENCASTRER - UNTERPUTZTEIL



Monocomando remoto lavabo/doccia incasso
 Concealed washbasin/shower mixer
 Mitigeur lavabo/douche à encastrer
 UP-Waschtisch/Dusche Mischer

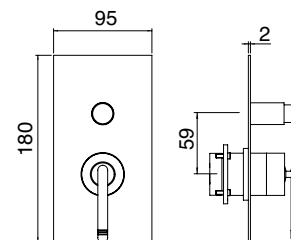


- CC RWIT 70B1 CC 01 234,00
- NN RWIT 70B1 NN 01 332,00
- BB RWIT 70B1 BB 01 332,00
- NF RWIT 70B1 NF 01 328,00
- HH RWIT 70B1 HH 01 402,00

- RWIT 51B1 ZZ 03 160,00**
- +  PARTI INCASSO - CONCEALED BODY
- CORPS À ENCASTRER - UNTERPUTZTEIL



Miscelatore monocomando vasca/doccia incasso
 Concealed bath/shower mixer with diverter
 Mitigeur bain/douche à encastrer avec inverseur
 UP Wanne/Brause Einhebelmischer

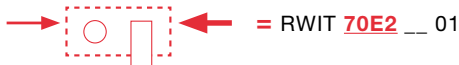
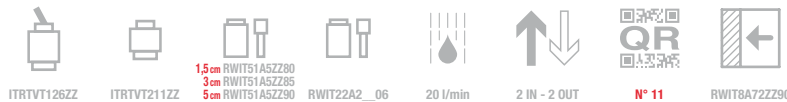
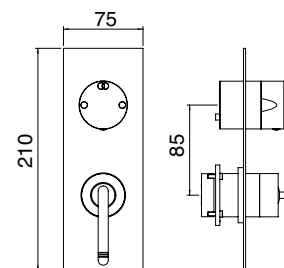


- CC RWIT 70A2 CC 01 271,00
- NN RWIT 70A2 NN 01 386,00
- BB RWIT 70A2 BB 01 386,00
- NF RWIT 70A2 NF 01 381,00
- HH RWIT 70A2 HH 01 467,00

- RWIT 22A2 ZZ 01 237,00**
- +  PARTI INCASSO - CONCEALED BODY
- CORPS À ENCASTRER - UNTERPUTZTEIL



Miscelatore monocomando con deviatore 2 uscite
 Concealed mixer with 2 ways diverter
 Mitigeur à encastrer avec inverseur à 2 sorties
 EHM UP mit 2 Wege Umsteller

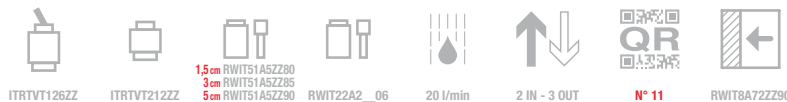
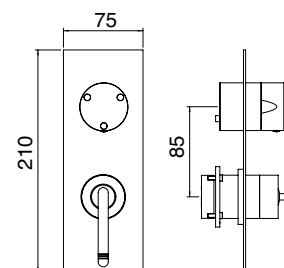


- CC RWIT 70A3 CC 01 299,00
- NN RWIT 70A3 NN 01 424,00
- BB RWIT 70A3 BB 01 424,00
- NF RWIT 70A3 NF 01 419,00
- HH RWIT 70A3 HH 01 513,00

- RWIT 22A2 ZZ 01 237,00**
- +  PARTI INCASSO - CONCEALED BODY
- CORPS À ENCASTRER - UNTERPUTZTEIL



Miscelatore monocomando con deviatore 3 uscite
 Concealed mixer with 3 ways diverter
 Mitigeur à encastrer avec inverseur à 3 sorties
 EHM UP mit 3 Wege Umsteller



WATT

W-70S

Q30

T30

KEA

IOS

HEDÓ

PHILO



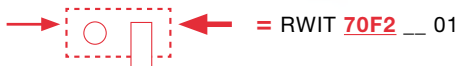
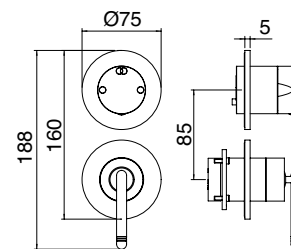
RWIT 7007 HH 01 + RWIT 70A2 HH 01 + RWIT 7000 HH 01
+ IT RTGA 122 HH + IT RTFL 501 HH

- CC RWIT 70C2 CC 01 299,00
- NN RWIT 70C2 NN 01 424,00
- BB RWIT 70C2 BB 01 424,00
- NF RWIT 70C2 NF 01 419,00
- HH RWIT 70C2 HH 01 513,00

- RWIT 22A2 ZZ 01 237,00**
- +** PARTI INCASSO - CONCEALED BODY
- CORPS À ENCASTRER - UNTERPUTZTEIL



Miscelatore monocomando con deviatore 2 uscite
 Concealed mixer with 2 ways diverter
 Mitigeur à encastrer avec inverseur à 2 sorties
 EHM UP mit 2 Wege Umsteller

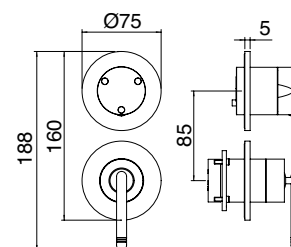


- CC RWIT 70C3 CC 01 329,00
- NN RWIT 70C3 NN 01 466,00
- BB RWIT 70C3 BB 01 466,00
- NF RWIT 70C3 NF 01 460,00
- HH RWIT 70C3 HH 01 565,00

- RWIT 22A2 ZZ 01 237,00**
- +** PARTI INCASSO - CONCEALED BODY
- CORPS À ENCASTRER - UNTERPUTZTEIL



Miscelatore monocomando con deviatore 3 uscite
 Concealed mixer with 3 ways diverter
 Mitigeur à encastrer avec inverseur à 3 sorties
 EHM UP mit 3 Wege Umsteller

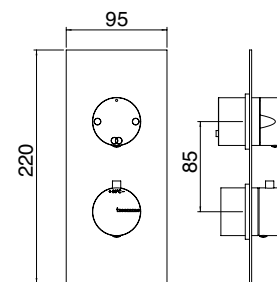


- CC RWIT 8A46 CC 03 230,00
- NN RWIT 8A46 NN 03 327,00
- BB RWIT 8A46 BB 03 327,00
- NF RWIT 8A46 NF 03 323,00
- HH RWIT 8A46 HH 03 396,00

- RWIT 8A46 ZZ 20 309,00**
- +** PARTI INCASSO - CONCEALED BODY
- CORPS À ENCASTRER - UNTERPUTZTEIL



Termostatico incasso con deviatore 2 uscite
 Concealed thermostatic with 2 ways diverter
 Thermostatique à encastrer avec inverseur à 2 sorties
 UP-Thermostat mit 2 Wege Umsteller

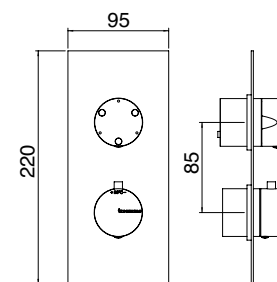


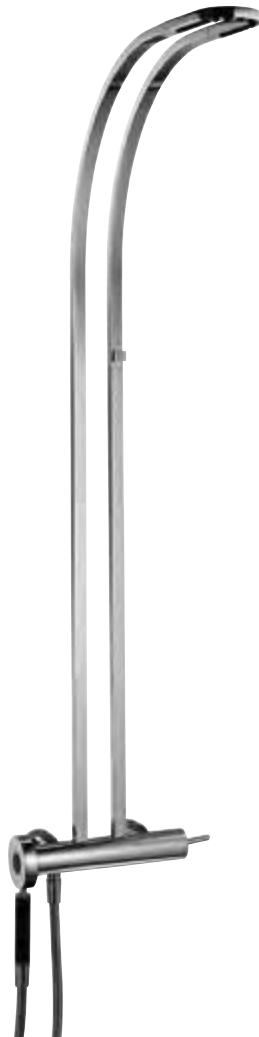
- CC RWIT 8A72 CC 03 277,00
- NN RWIT 8A72 NN 03 393,00
- BB RWIT 8A72 BB 03 393,00
- NF RWIT 8A72 NF 03 388,00
- HH RWIT 8A72 HH 03 475,00

- RWIT 8A46 ZZ 20 309,00**
- +** PARTI INCASSO - CONCEALED BODY
- CORPS À ENCASTRER - UNTERPUTZTEIL



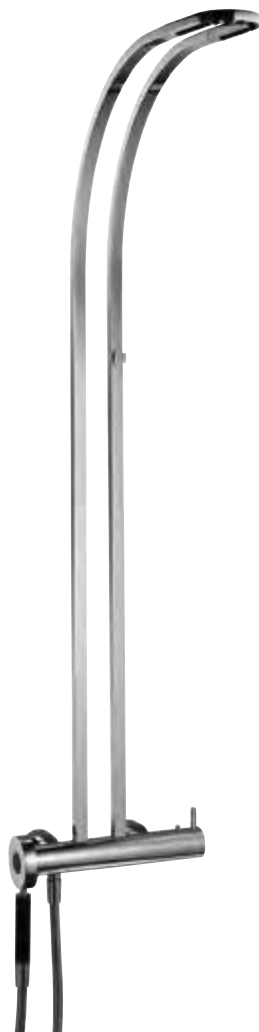
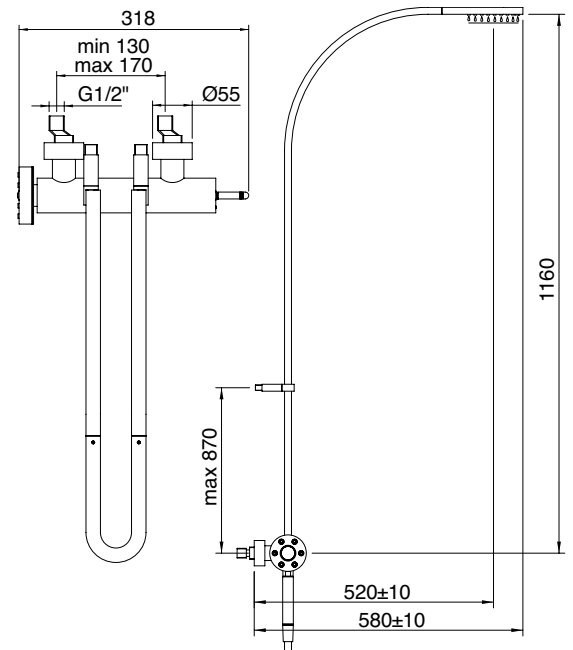
Termostatico incasso con deviatore 3 uscite
 Concealed thermostatic with 3 ways diverter
 Thermostatique à encastrer avec inverseur à 3 sorties
 UP-Thermostat mit 3 Wege Umsteller





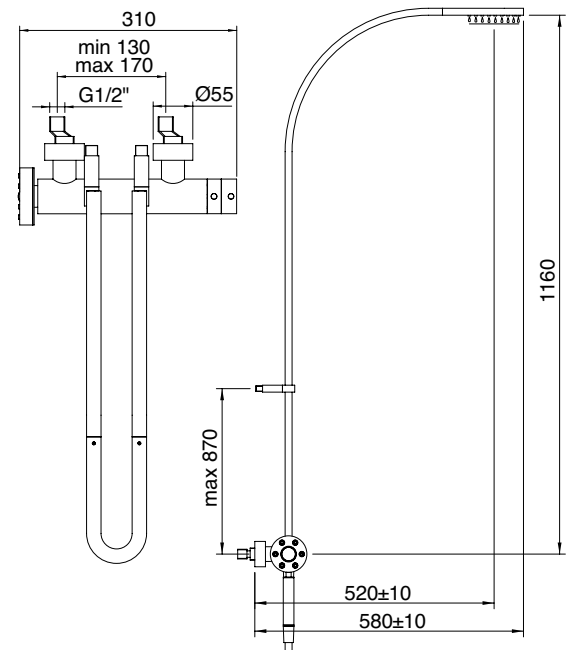
CC	IT 7060 CC PD ZZ	1.961,00
NN	IT 7060 NN PD ZZ	2.607,00
BB	IT 7060 BB PD ZZ	2.607,00
NF	IT 7060 NF PD ZZ	2.550,00
HH	IT 7060 HH PD ZZ	3.019,00

Gruppo doccia con doccetta e soffione con aeratori
 Wall-mtd. shower set, hand-shower and shower head with aerators
 Mitigeur douche mural, douchette et tête de douche avec mousseurs
 Regenbrause-Set, Handbrause und Kopfbrause mit Perlator



CC	IT 7054 CC PD ZZ	2.099,00
NN	IT 7054 NN PD ZZ	2.790,00
BB	IT 7054 BB PD ZZ	2.790,00
NF	IT 7054 NF PD ZZ	2.727,00
HH	IT 7054 HH PD ZZ	3.231,00

Gruppo doccia termostatico con doccetta e soffione con aeratori
 Wall-mtd. thermostatic shower set, with hand-shower and shower head with aerators
 Mitigeur thermostatique mural, douchette et tête de douche avec mousseurs
 Regenbrause-Set mit Thermostat-Armatur, Handbrause und Kopfbrause mit Perlator

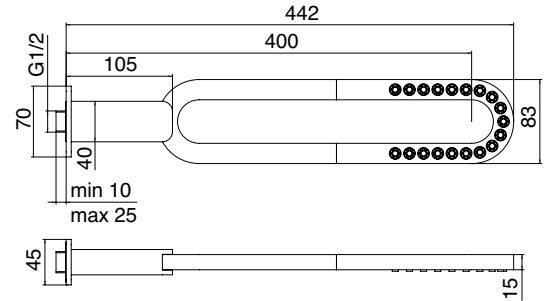






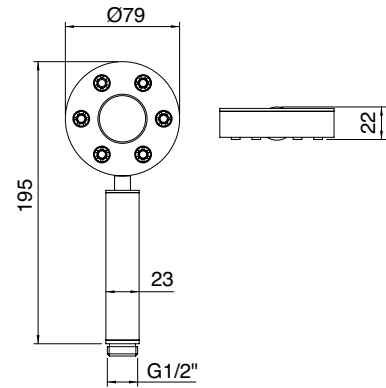
CC	RWIT 7007 CC 01	654,00
NN	RWIT 7007 NN 01	868,00
BB	RWIT 7007 BB 01	868,00
NF	RWIT 7007 NF 01	848,00
HH	RWIT 7007 HH 01	1.005,00

Soffione a parete con aeratori
Shower-head with aerators
Douche mural avec mousseurs
Kopfbrause mit Perlator



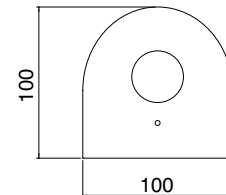
CC	RWIT 7000 CC 01	295,00
NN	RWIT 7000 NN 01	392,00
BB	RWIT 7000 BB 01	392,00
NF	RWIT 7000 NF 01	382,00
HH	RWIT 7000 HH 01	453,00

Doccetta
Hand-shower
Douchette
Handbrause



CC	RWIT 7051 CC 05	54,00
NN	RWIT 7051 NN 05	71,00
BB	RWIT 7051 BB 05	71,00
NF	RWIT 7051 NF 05	70,00
HH	RWIT 7051 HH 05	82,00

Flangia per articolo 7051
Flange for article 7051
Rosace pour article 7051
Flansch für Artikel 7051



Per ulteriori composizioni doccia vedi sezione SHOWERS & THERMOSTATICS

For other shower fittings check the SHOWERS & THERMOSTATICS section

Pour d'autres solutions douche voir section SHOWERS & THERMOSTATICS

Für weitere duschaustattungen siehe abschnitt SHOWERS & THERMOSTATICS

Arché

design by danilo fedeli - 3df

chrome **CC**

matt black **NN**

matt white **BB**

brushed nickel **NF**

polished black chrome **HH**

brushed black chrome **CZ**

brushed gold **DZ**



WATT

W-70S

Q30

T30

KEA

IOS

HEDÓ

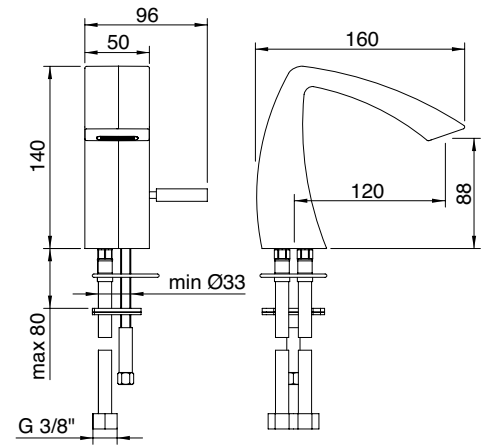
PHILO

ARCHÉ



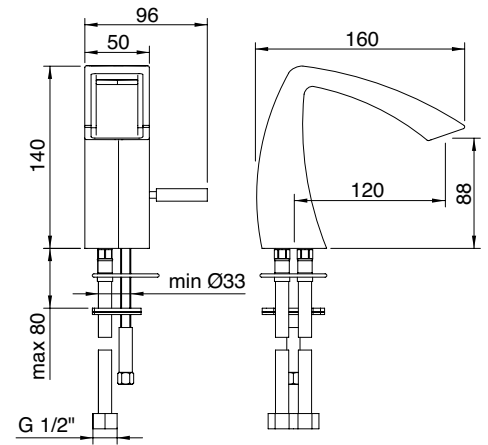
CC	IT 0222 CC AH ZZ	384,00
NN	IT 0222 NN AH ZZ	509,00
BB	IT 0222 BB AH ZZ	509,00
NF	IT 0222 NF AH ZZ	499,00
HH	IT 0222 HH AH ZZ	590,00
CZ	IT 0222 CZ AH ZZ	590,00
DZ	IT 0222 DZ AH ZZ	797,00

Miscelatore monocomando lavabo / bidet 88
 Washbasin / bidet mixer 88
 Mitigeur lavabo / bidet 88
 Einhand-Waschtischmischer / Bidetmischer 88



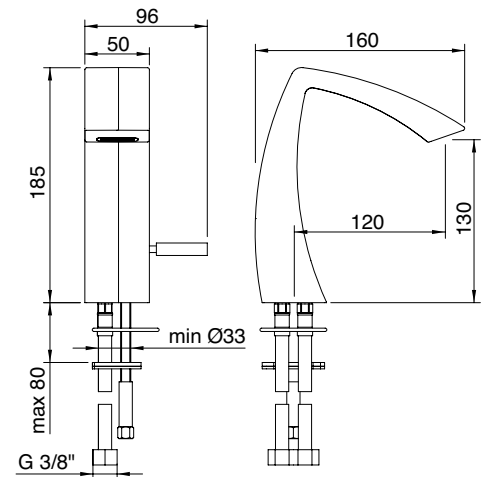
CC	IT 2422 CC EL ZZ	486,00
NN	IT 2422 NN EL ZZ	646,00
BB	IT 2422 BB EL ZZ	646,00
NF	IT 2422 NF EL ZZ	631,00
HH	IT 2422 HH EL ZZ	748,00
CZ	IT 2422 CZ EL ZZ	748,00
DZ	IT 2422 DZ EL ZZ	1.010,00

Miscelatore monocomando lavabo / bidet 88
 Washbasin / bidet mixer 88
 Mitigeur lavabo / bidet 88
 Einhand-Waschtischmischer / Bidetmischer 88



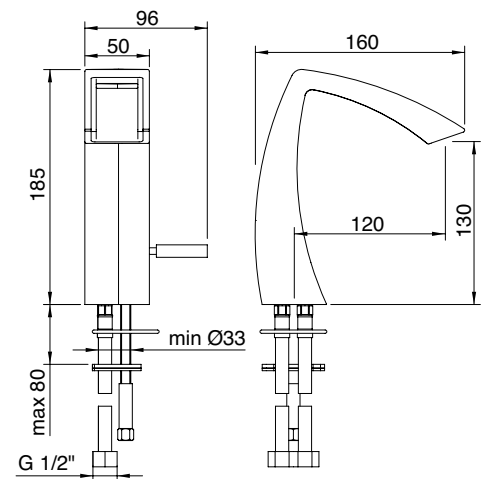
CC	IT 0211 CC AH ZZ	395,00
NN	IT 0211 NN AH ZZ	524,00
BB	IT 0211 BB AH ZZ	524,00
NF	IT 0211 NF AH ZZ	512,00
HH	IT 0211 HH AH ZZ	607,00
CZ	IT 0211 CZ AH ZZ	607,00
DZ	IT 0211 DZ AH ZZ	819,00

Miscelatore monocomando lavabo 130
 Washbasin mixer 130
 Mitigeur lavabo 130
 Einhand-Waschtischmischer 130



CC	IT 2411 CC EL ZZ	497,00
NN	IT 2411 NN EL ZZ	660,00
BB	IT 2411 BB EL ZZ	660,00
NF	IT 2411 NF EL ZZ	645,00
HH	IT 2411 HH EL ZZ	763,00
CZ	IT 2411 CZ EL ZZ	763,00
DZ	IT 2411 DZ EL ZZ	1.030,00

Miscelatore monocomando lavabo 130
 Washbasin mixer 130
 Mitigeur lavabo 130
 Einhand-Waschtischmischer 130





IT 2411 CC EL ZZ

ARCHÉ

PHILO

HEDÓ

IOS

KEA

T30

Q30

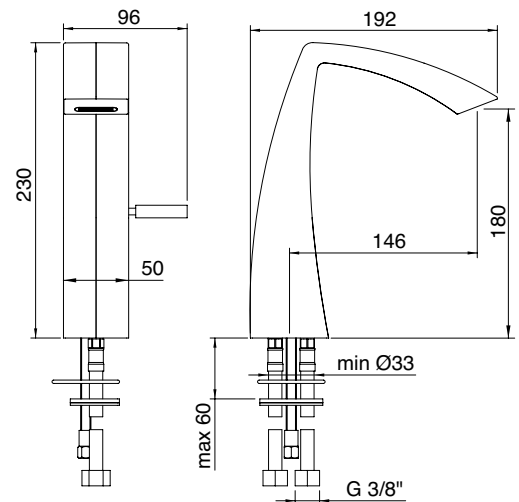
W-70S

WATT



CC	IT 0227 CC AH ZZ	460,00
NN	IT 0227 NN AH ZZ	612,00
BB	IT 0227 BB AH ZZ	612,00
NF	IT 0227 NF AH ZZ	598,00
HH	IT 0227 HH AH ZZ	709,00
CZ	IT 0227 CZ AH ZZ	709,00
DZ	IT 0227 DZ AH ZZ	955,00

Miscelatore monocomando lavabo 180
Washbasin mixer 180
Mitigeur lavabo 180
Einhand-Waschtischmischer 180





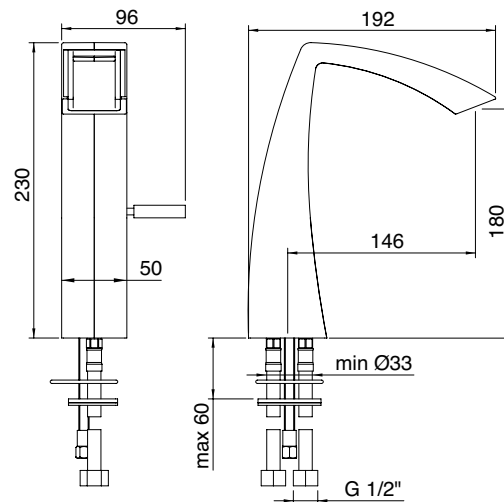
IT 0227 NN AH ZZ

CC	IT 2427 CC EL ZZ	556,00
NN	IT 2427 NN EL ZZ	739,00
BB	IT 2427 BB EL ZZ	739,00
NF	IT 2427 NF EL ZZ	723,00
HH	IT 2427 HH EL ZZ	856,00
CZ	IT 2427 CZ EL ZZ	856,00
DZ	IT 2427 DZ EL ZZ	1.155,00

Miscelatore monocomando lavabo 180
 Washbasin mixer 180
 Mitigeur lavabo 180
 Einhand-Waschtischmischer 180



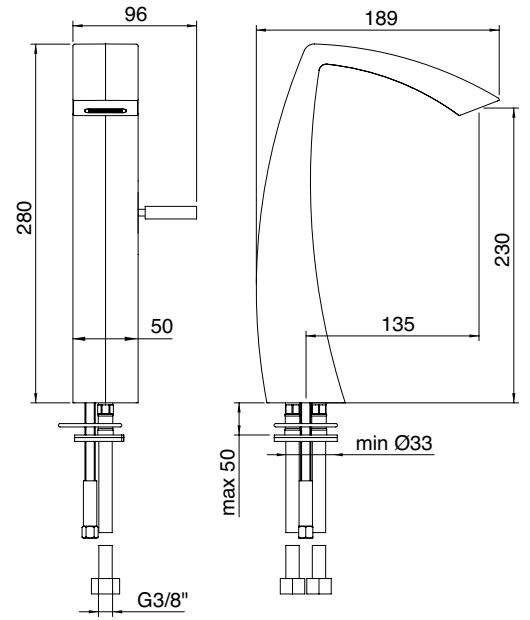
ITRTVT247ZZ 4 l/min





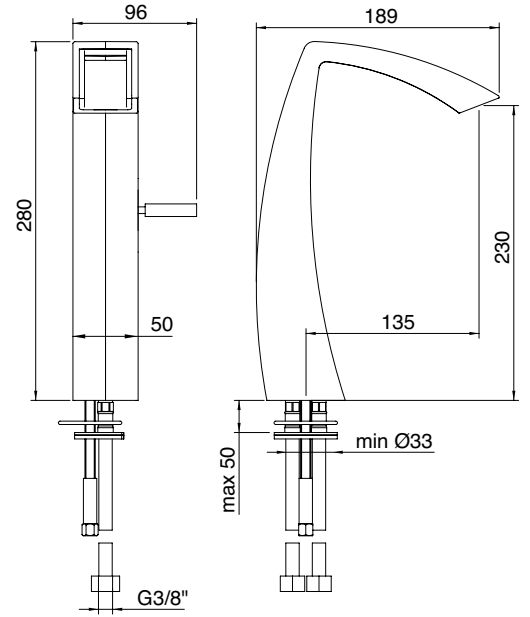
CC	IT 0218 CC AH ZZ	497,00
NN	IT 0218 NN AH ZZ	660,00
BB	IT 0218 BB AH ZZ	660,00
NF	IT 0218 NF AH ZZ	645,00
HH	IT 0218 HH AH ZZ	763,00
CZ	IT 0218 CZ AH ZZ	763,00
DZ	IT 0218 DZ AH ZZ	1.030,00

Miscelatore monocomando lavabo 230
 Washbasin mixer 230
 Mitigeur lavabo 230
 Einhand-Waschtischmischer 230



CC	IT 2418 CC EL ZZ	598,00
NN	IT 2418 NN EL ZZ	796,00
BB	IT 2418 BB EL ZZ	796,00
NF	IT 2418 NF EL ZZ	777,00
HH	IT 2418 HH EL ZZ	921,00
CZ	IT 2418 CZ EL ZZ	921,00
DZ	IT 2418 DZ EL ZZ	1.244,00

Miscelatore monocomando lavabo 230
 Washbasin mixer 230
 Mitigeur lavabo 230
 Einhand-Waschtischmischer 230

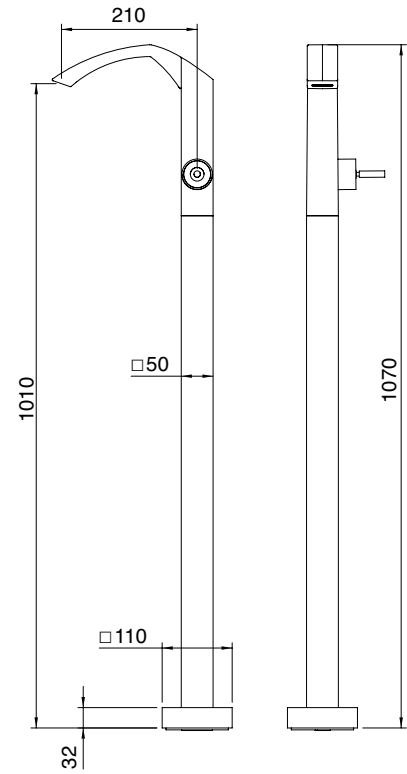




CC	RWIT 0214 CC 10	1.076,00
NN	RWIT 0214 NN 10	1.527,00
BB	RWIT 0214 BB 10	1.527,00
NF	RWIT 0214 NF 10	1.505,00
HH	RWIT 0214 HH 10	1.848,00
CZ	RWIT 0214 CZ 10	1.848,00
DZ	RWIT 0214 DZ 10	2.375,00

Miscelatore monocomando lavabo da terra
 Floor standing washbasin mixer
 Mitigeur lavabo sur colonne au sol
 Waschtisch-Einhebelmischer Standarmatur

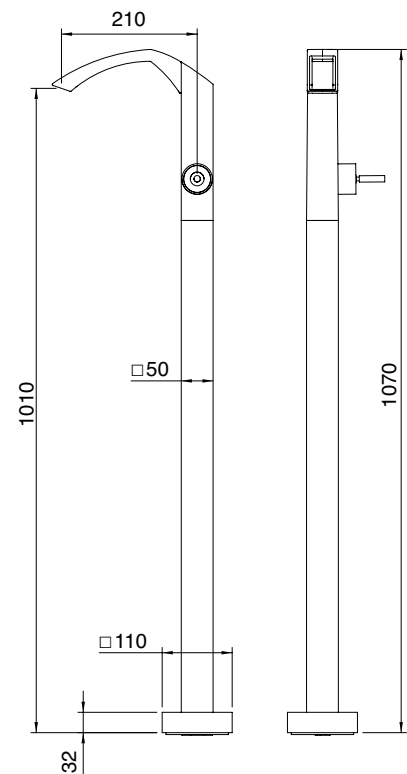
RWIT 5703 ZZ 07 212,00
 +  PARTI INCASSO - CONCEALED BODY
 CORPS À ENCASTRER - UNTERPUTZTEIL



CC	RWIT 2414 CC 10	1.178,00
NN	RWIT 2414 NN 10	1.672,00
BB	RWIT 2414 BB 10	1.672,00
NF	RWIT 2414 NF 10	1.648,00
HH	RWIT 2414 HH 10	2.025,00
CZ	RWIT 2414 CZ 10	2.025,00
DZ	RWIT 2414 DZ 10	2.601,00

Miscelatore monocomando lavabo da terra
 Floor standing washbasin mixer
 Mitigeur lavabo sur colonne au sol
 Waschtisch-Einhebelmischer Standarmatur

RWIT 5703 ZZ 07 212,00
 +  PARTI INCASSO - CONCEALED BODY
 CORPS À ENCASTRER - UNTERPUTZTEIL



Arché

WATT

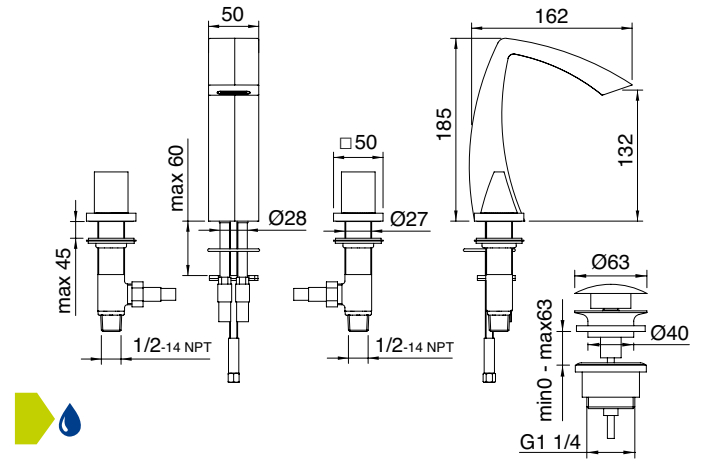
W-70S

Q30



CC	IT 0716 CC KA ZZ	623,00
NN	IT 0716 NN KA ZZ	829,00
BB	IT 0716 BB KA ZZ	829,00
NF	IT 0716 NF KA ZZ	809,00
HH	IT 0716 HH KA ZZ	959,00
CZ	IT 0716 CZ KA ZZ	959,00
DZ	IT 0716 DZ KA ZZ	1.294,00

Batteria lavabo 3 fori
3 hole washbasin mixer
Mélangeur lavabo 3 trous
Waschtisch Dreilochbatterie



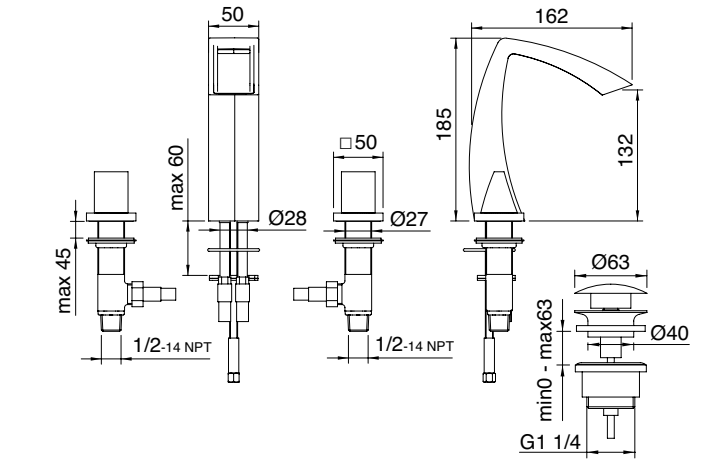
T30

KEA



CC	IT 3216 CC KA ZZ	725,00
NN	IT 3216 NN KA ZZ	964,00
BB	IT 3216 BB KA ZZ	964,00
NF	IT 3216 NF KA ZZ	941,00
HH	IT 3216 HH KA ZZ	1.115,00
CZ	IT 3216 CZ KA ZZ	1.115,00
DZ	IT 3216 DZ KA ZZ	1.505,00

Batteria lavabo 3 fori
3 hole washbasin mixer
Mélangeur lavabo 3 trous
Waschtisch Dreilochbatterie



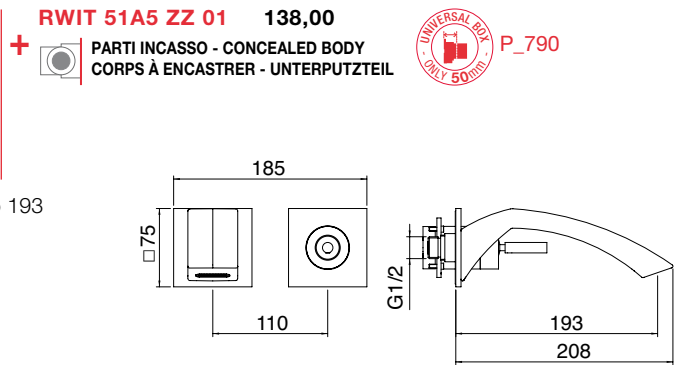
IOS

HEDÓ



CC	RWIT 02C5 CC 01	330,00
NN	RWIT 02C5 NN 01	469,00
BB	RWIT 02C5 BB 01	469,00
NF	RWIT 02C5 NF 01	462,00
HH	RWIT 02C5 HH 01	568,00
CZ	RWIT 02C5 CZ 01	568,00
DZ	RWIT 02C5 DZ 01	730,00

Miscelatore monocomando lavabo incasso 193
Concealed washbasin mixer 193
Mitigeur lavabo à encastrer 193
UP-Einhand-Waschtischmischer 193



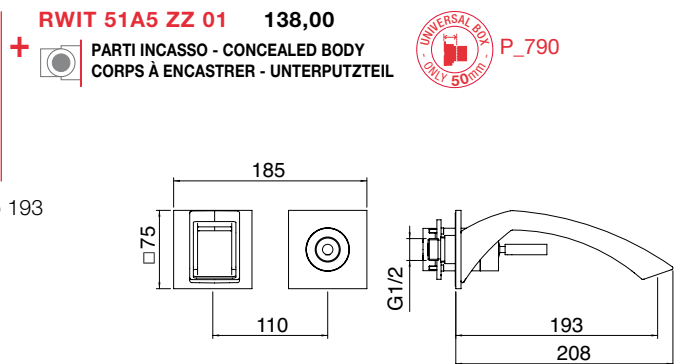
PHILO

ARCHÉ



CC	RWIT 24C5 CC 01	425,00
NN	RWIT 24C5 NN 01	604,00
BB	RWIT 24C5 BB 01	604,00
NF	RWIT 24C5 NF 01	595,00
HH	RWIT 24C5 HH 01	731,00
CZ	RWIT 24C5 CZ 01	731,00
DZ	RWIT 24C5 DZ 01	939,00

Miscelatore monocomando lavabo incasso 193
Concealed washbasin mixer 193
Mitigeur lavabo à encastrer 193
UP-Einhand-Waschtischmischer 193





IT 0716 DZ KA ZZ

ARCHÉ

PHILO

HEDÓ

IOS

KEA

T30

Q30

W-70S

WATT

ARCHÉ PHILO HEDÓ IOS KEA T30 Q30 W-70S WATT



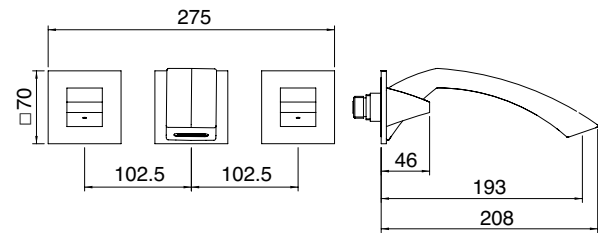
CC	RWIT 0752 CC 15	477,00
NN	RWIT 0752 NN 15	677,00
BB	RWIT 0752 BB 15	677,00
NF	RWIT 0752 NF 15	667,00
HH	RWIT 0752 HH 15	820,00
CZ	RWIT 0752 CZ 15	820,00
DZ	RWIT 0752 DZ 15	1.052,00

RWIT 0752 ZZ 04 219,00

+ PARTI INCASSO - CONCEALED BODY
CORPS À ENCASTRER - UNTERPUTZTEIL



Gruppo lavabo a muro 193
Concealed 3 hole washbasin 193
Mélangeur lavabo à encastrer 3 trous 193
UP-Waschtisch Dreilochbatterie 193



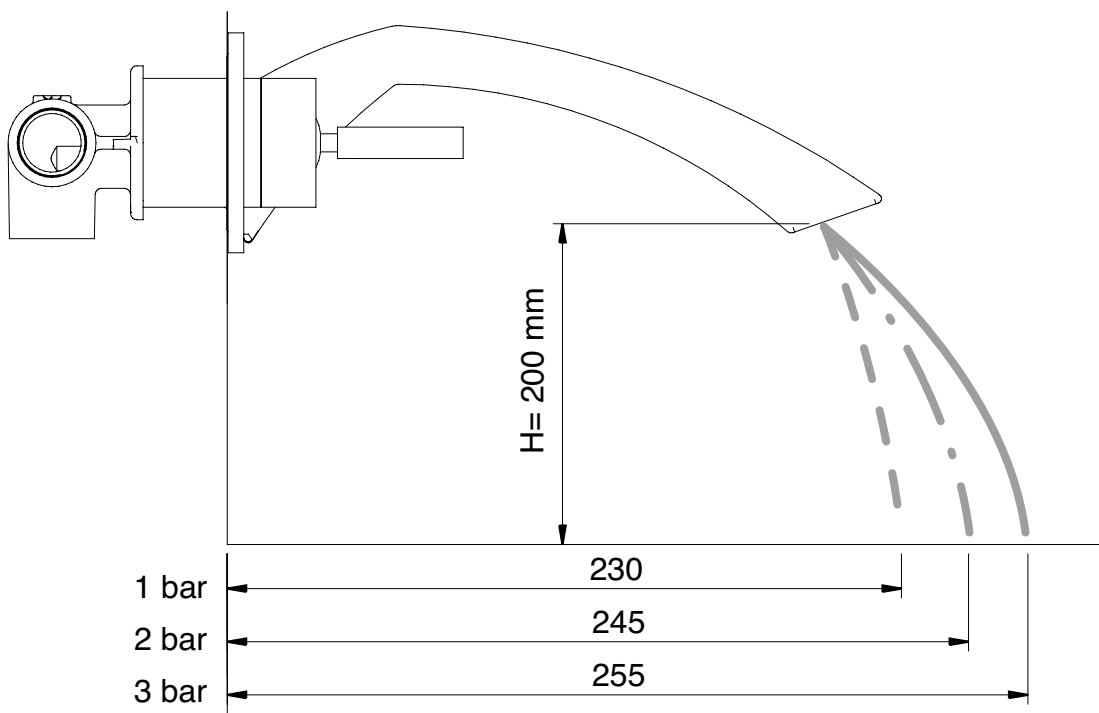
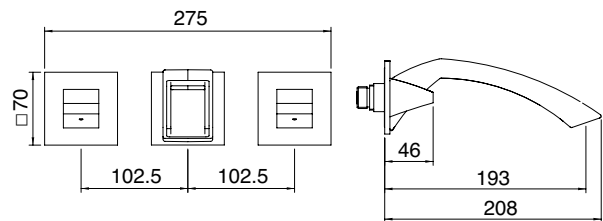
CC	RWIT 3252 CC 15	580,00
NN	RWIT 3252 NN 15	824,00
BB	RWIT 3252 BB 15	824,00
NF	RWIT 3252 NF 15	812,00
HH	RWIT 3252 HH 15	999,00
CZ	RWIT 3252 CZ 15	999,00
DZ	RWIT 3252 DZ 15	1.282,00

RWIT 0752 ZZ 04 219,00

+ PARTI INCASSO - CONCEALED BODY
CORPS À ENCASTRER - UNTERPUTZTEIL



Gruppo lavabo a muro 193
Concealed 3 hole washbasin 193
Mélangeur lavabo à encastrer 3 trous 193
UP-Waschtisch Dreilochbatterie 193



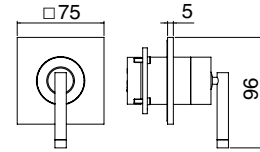


CC	RWIT 02C8 CC 01	221,00
NN	RWIT 02C8 NN 01	313,00
BB	RWIT 02C8 BB 01	313,00
NF	RWIT 02C8 NF 01	308,00
HH	RWIT 02C8 HH 01	379,00
CZ	RWIT 02C8 CZ 01	379,00
DZ	RWIT 02C8 DZ 01	487,00

RWIT 51A8 ZZ 03 128,00
 +  PARTI INCASSO - CONCEALED BODY
 CORPS À ENCASTRER - UNTERPUTZTEIL

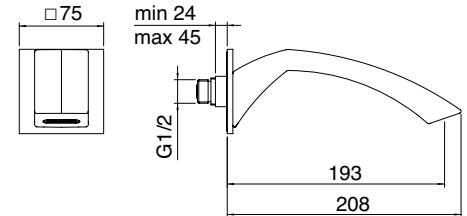


Monocomando remoto lavabo/doccia incasso
 Concealed washbasin/shower mixer
 Mitigeur lavabo/douche à encastrer
 UP-Waschtisch/Dusche Mischer



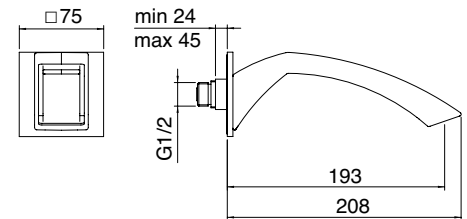
CC	IT 0263 CC ZZ ZZ	110,00
NN	IT 0263 NN ZZ ZZ	146,00
BB	IT 0263 BB ZZ ZZ	146,00
NF	IT 0263 NF ZZ ZZ	143,00
HH	IT 0263 HH ZZ ZZ	169,00
CZ	IT 0263 CZ ZZ ZZ	169,00
DZ	IT 0263 DZ ZZ ZZ	228,00

Bocca a muro 193
 Wall-mtd. spout 193
 Bec mural 193
 Wandauslauf 193



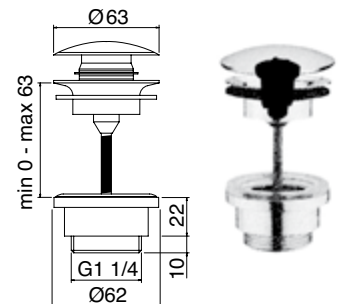
CC	IT 2463 CC ZZ ZZ	204,00
NN	IT 2463 NN ZZ ZZ	272,00
BB	IT 2463 BB ZZ ZZ	272,00
NF	IT 2463 NF ZZ ZZ	266,00
HH	IT 2463 HH ZZ ZZ	315,00
CZ	IT 2463 CZ ZZ ZZ	315,00
DZ	IT 2463 DZ ZZ ZZ	425,00

Bocca a muro 193
 Wall-mtd. spout 193
 Bec mural 193
 Wandauslauf 193



CC	IT RTSA 117 CC	28,00
NN	IT RTSA 117 NN	38,00
BB	IT RTSA 117 BB	38,00
NF	IT RTSA 117 NF	39,00
HH	IT RTSA 117 HH	45,00
CZ	IT RTSA 117 CZ	45,00
DZ	IT RTSA 117 DZ	59,00

Scarico click-clack universale con inserto per sempre aperto
 Universal up/down pop-up waste with adaptor for continuous water flow
 Bonde click-clack universelle avec option écoulement libre
 Universal-Ablaufgarnitur Click-Clack mit Verschlussperre

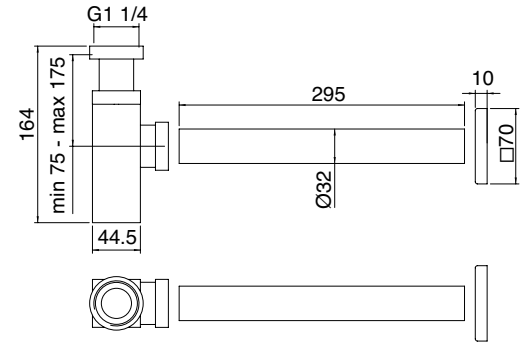






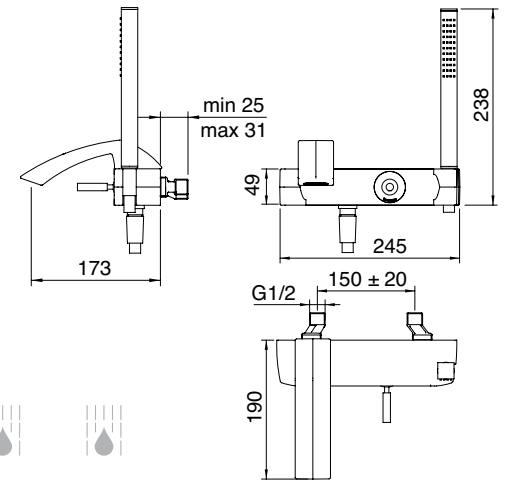
CC	IT 0465 CC ZZ ZZ	134,00
NN	IT 0465 NN ZZ ZZ	180,00
BB	IT 0465 BB ZZ ZZ	180,00
NF	IT 0465 NF ZZ ZZ	175,00
HH	IT 0465 HH ZZ ZZ	208,00
CZ	IT 0465 CZ ZZ ZZ	208,00
DZ	IT 0465 DZ ZZ ZZ	280,00

Sifone a vista
 Drain-trap
 Siphon
 Siphon für Waschtisch



CC	IT 0200 CC AH ZZ	832,00
NN	IT 0200 NN AH ZZ	1.106,00
BB	IT 0200 BB AH ZZ	1.106,00
NF	IT 0200 NF AH ZZ	1.080,00
HH	IT 0200 HH AH ZZ	1.280,00
CZ	IT 0200 CZ AH ZZ	1.280,00
DZ	IT 0200 DZ AH ZZ	1.728,00

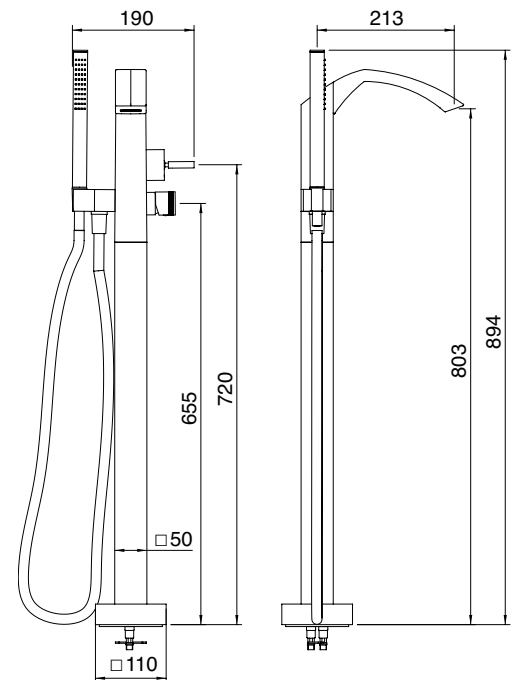
Miscelatore monocomando esterno vasca
 Wall-mtd. bathtub mixer
 Mitigeur bain/douche mural
 AP-Badewannen-Einhandbatterie



CC	RWIT 0203 CC 20	1.279,00
NN	RWIT 0203 NN 20	1.814,00
BB	RWIT 0203 BB 20	1.814,00
NF	RWIT 0203 NF 20	1.789,00
HH	RWIT 0203 HH 20	2.197,00
CZ	RWIT 0203 CZ 20	2.197,00
DZ	RWIT 0203 DZ 20	2.823,00

Miscelatore monocomando vasca da terra
 Floor standing bathtub mixer
 Mitigeur bain douche sur colonne au sol
 Einhebel - Wannenstandarmatur

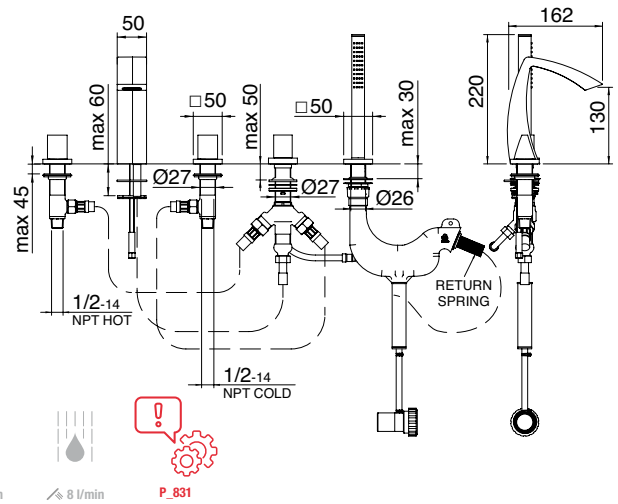
RWIT 5703 ZZ 07 212,00
 + PARTI INCASSO - CONCEALED BODY
 CORPS À ENCASTRER - UNTERPUTZTEIL





CC	IT 0706 CC KA ZZ	1.100,00
NN	IT 0706 NN KA ZZ	1.461,00
BB	IT 0706 BB KA ZZ	1.461,00
NF	IT 0706 NF KA ZZ	1.428,00
HH	IT 0706 HH KA ZZ	1.691,00
CZ	IT 0706 CZ KA ZZ	1.691,00
DZ	IT 0706 DZ KA ZZ	2.284,00

Batteria bordo vasca 5 fori con doccetta estraibile
 5 hole deck-mounted bathtub
 Mélangeur bain/douche 5 trous sur gorge
 Fünfloch - Wannenrandarmatur

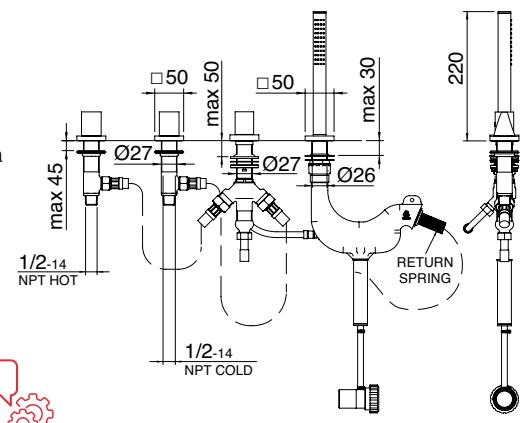


ITRTVT101CC ITRTAE135ZZ 1,5 M PVC METAL
 ↳ 24 l/min ↳ 8 l/min P_831



CC	IT 0770 CC KA ZZ	951,00
NN	IT 0770 NN KA ZZ	1.265,00
BB	IT 0770 BB KA ZZ	1.265,00
NF	IT 0770 NF KA ZZ	1.236,00
HH	IT 0770 HH KA ZZ	1.465,00
CZ	IT 0770 CZ KA ZZ	1.465,00
DZ	IT 0770 DZ KA ZZ	1.977,00

Batteria bordo vasca con doccetta estraibile senza bocca
 Deck-mounted bathtub without spout
 Mitigeur bain/douche sur gorge sans bec
 Wannenrandarmatur ohne Auslauf

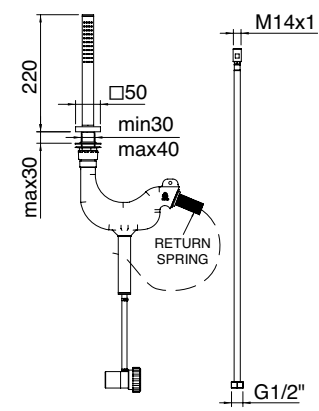


ITRTVT101CC 1,5 M PVC METAL
 MAX 25 l/min ↳ 8 l/min P_831



CC	RWIT 0706 CC 25	233,00
NN	RWIT 0706 NN 25	311,00
BB	RWIT 0706 BB 25	311,00
NF	RWIT 0706 NF 25	303,00
HH	RWIT 0706 HH 25	360,00
CZ	RWIT 0706 CZ 25	360,00
DZ	RWIT 0706 DZ 25	486,00

Doccetta estraibile bordo vasca
 Deck-mounted retractable handshower
 Douchette extractible sur gorge
 Versenkbare Schlauchbrause



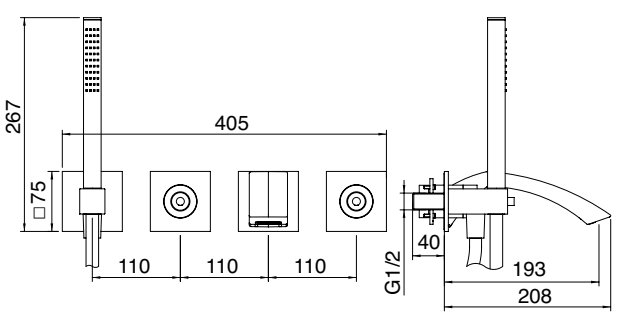
FLEX 1,5 M PVC METAL
 ↳ 8 l/min P_831



CC	RWIT 02D8 CC 01	704,00
NN	RWIT 02D8 NN 01	1.000,00
BB	RWIT 02D8 BB 01	1.000,00
NF	RWIT 02D8 NF 01	985,00
HH	RWIT 02D8 HH 01	1.211,00
CZ	RWIT 02D8 CZ 01	1.211,00
DZ	RWIT 02D8 DZ 01	1.555,00

Miscelatore monocomando vasca/doccia incasso
 Concealed bath/shower mixer
 Mitigeur bain/douche à encastrer
 Wanne / Brause EHM UP

RWIT 51D7 ZZ 12 305,00
 + PARTI INCASSO - CONCEALED BODY
 CORPS À ENCASTRER - UNTERPUTZTEIL P_791



ITRTVT130ZZ ITRTAE135ZZ 1,5 M PVC METAL
 1,5cm RWIT51A5Z280 12
 3cm RWIT51A5Z285 12
 5cm RWIT51A5Z290 12 ↳ 22 l/min ↳ 8 l/min N° 151 RWIT51D7ZZ50

WATT

W-70S

Q30

T30

KEA

IOS

HEDÓ

PHILO

ARCHÉ



IT 0200 CC AH ZZ



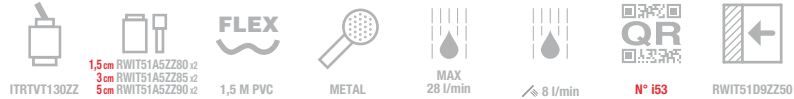
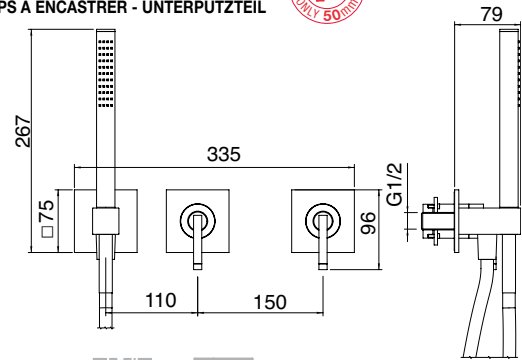
CC	RWIT 02D9 CC 01	595,00
NN	RWIT 02D9 NN 01	844,00
BB	RWIT 02D9 BB 01	844,00
NF	RWIT 02D9 NF 01	833,00
HH	RWIT 02D9 HH 01	1.022,00
CZ	RWIT 02D9 CZ 01	1.022,00
DZ	RWIT 02D9 DZ 01	1.314,00

RWIT 51D9 ZZ 01 293,00

+ PARTI INCASSO - CONCEALED BODY
CORPS À ENCASTRER - UNTERPUTZTEIL



Miscelatore monocomando vasca/doccia incasso
Concealed bath/shower mixer
Mitigeur bain/douche à encastrer
Wanne / Brause EHM UP



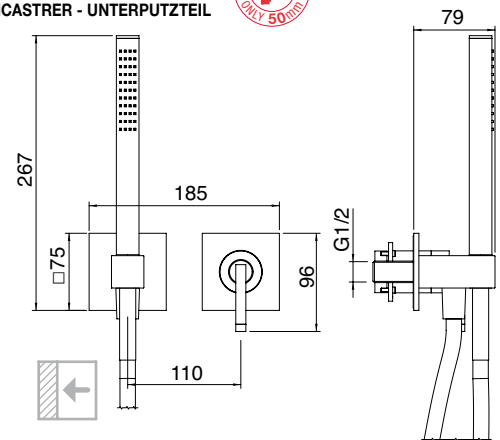
CC	RWIT 02D4 CC 01	375,00
NN	RWIT 02D4 NN 01	533,00
BB	RWIT 02D4 BB 01	533,00
NF	RWIT 02D4 NF 01	525,00
HH	RWIT 02D4 HH 01	645,00
CZ	RWIT 02D4 CZ 01	645,00
DZ	RWIT 02D4 DZ 01	829,00

RWIT 51A5 ZZ 01 138,00

+ PARTI INCASSO - CONCEALED BODY
CORPS À ENCASTRER - UNTERPUTZTEIL

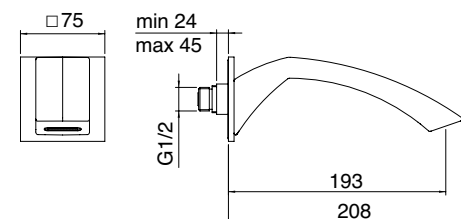


Miscelatore monocomando incasso doccia con doccia
Concealed shower mixer with hand-shower
Mitigeur douche à encastrer avec douchette
Brause EHM UP mit Handbrause



CC	IT 0263 CC ZZ HF	264,00
NN	IT 0263 NN ZZ HF	351,00
BB	IT 0263 BB ZZ HF	351,00
NF	IT 0263 NF ZZ HF	343,00
HH	IT 0263 HH ZZ HF	406,00
CZ	IT 0263 CZ ZZ HF	406,00
DZ	IT 0263 DZ ZZ HF	548,00

Bocca a muro per vasca 193
Wall-mtd. spout for bathtub 193
Bec mural pour baignoire 193
Wandauslauf für Badewannen 193



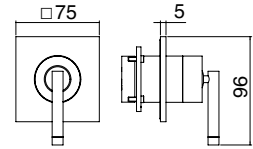


CC	RWIT 02C8 CC 01	221,00
NN	RWIT 02C8 NN 01	313,00
BB	RWIT 02C8 BB 01	313,00
NF	RWIT 02C8 NF 01	308,00
HH	RWIT 02C8 HH 01	379,00
CZ	RWIT 02C8 CZ 01	379,00
DZ	RWIT 02C8 DZ 01	487,00

RWIT 51A8 ZZ 03 128,00
 + PARTI INCASSO - CONCEALED BODY
 CORPS À ENCASTRER - UNTERPUTZTEIL



Monocomando remoto lavabo/doccia incasso
 Concealed washbasin/shower mixer
 Mitigeur lavabo/douche à encastrer
 UP-Waschtisch/Dusche Mischer

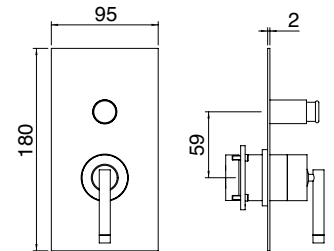


CC	RWIT 02B1 CC 01	234,00
NN	RWIT 02B1 NN 01	332,00
BB	RWIT 02B1 BB 01	332,00
NF	RWIT 02B1 NF 01	328,00
HH	RWIT 02B1 HH 01	402,00
CZ	RWIT 02B1 CZ 01	402,00
DZ	RWIT 02B1 DZ 01	515,00

RWIT 51B1 ZZ 03 160,00
 + PARTI INCASSO - CONCEALED BODY
 CORPS À ENCASTRER - UNTERPUTZTEIL



Miscelatore monocomando vasca/doccia incasso
 Concealed bath/shower mixer with diverter
 Mitigeur bain/douche à encastrer avec inverseur
 UP Wanne/Brause Einhebelmischer

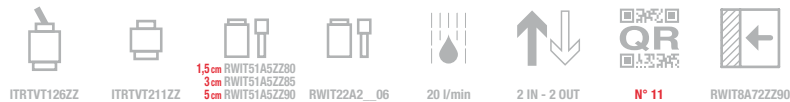
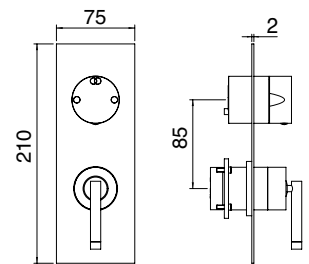


CC	RWIT 02A2 CC 01	271,00
NN	RWIT 02A2 NN 01	386,00
BB	RWIT 02A2 BB 01	386,00
NF	RWIT 02A2 NF 01	381,00
HH	RWIT 02A2 HH 01	467,00
CZ	RWIT 02A2 CZ 01	467,00
DZ	RWIT 02A2 DZ 01	600,00

RWIT 22A2 ZZ 01 237,00
 + PARTI INCASSO - CONCEALED BODY
 CORPS À ENCASTRER - UNTERPUTZTEIL



Miscelatore monocomando con deviatore 2 uscite
 Concealed mixer with 2 ways diverter
 Mitigeur à encastrer avec inverseur à 2 sorties
 EHM UP mit 2 Wege Umsteller



→ [Diagram] ← = RWIT **02E2** __ 01

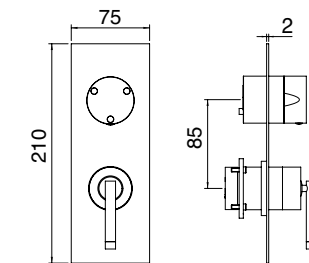


CC	RWIT 02A3 CC 01	299,00
NN	RWIT 02A3 NN 01	424,00
BB	RWIT 02A3 BB 01	424,00
NF	RWIT 02A3 NF 01	419,00
HH	RWIT 02A3 HH 01	513,00
CZ	RWIT 02A3 CZ 01	513,00
DZ	RWIT 02A3 DZ 01	660,00

RWIT 22A2 ZZ 01 237,00
 + PARTI INCASSO - CONCEALED BODY
 CORPS À ENCASTRER - UNTERPUTZTEIL




Miscelatore monocomando con deviatore 3 uscite
 Concealed mixer with 3 ways diverter
 Mitigeur à encastrer avec inverseur à 3 sorties
 EHM UP mit 3 Wege Umsteller



→ [Diagram] ← = RWIT **02E3** __ 01

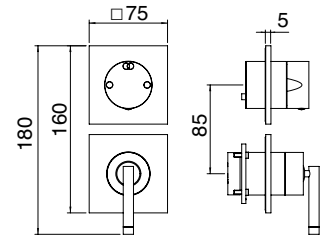


CC	RWIT 02C2 CC 01	299,00
NN	RWIT 02C2 NN 01	424,00
BB	RWIT 02C2 BB 01	424,00
NF	RWIT 02C2 NF 01	419,00
HH	RWIT 02C2 HH 01	513,00
CZ	RWIT 02C2 CZ 01	513,00
DZ	RWIT 02C2 DZ 01	660,00

RWIT 22A2 ZZ 01 237,00
 **PARTI INCASSO - CONCEALED BODY**
CORPS À ENCASTRER - UNTERPUTZTEIL



Miscelatore monocomando con deviatore 2 uscite
 Concealed mixer with 2 ways diverter
 Mitigeur à encastrer avec inverseur à 2 sorties
 EHM UP mit 2 Wege Umsteller

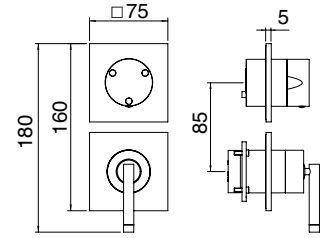


CC	RWIT 02C3 CC 01	329,00
NN	RWIT 02C3 NN 01	466,00
BB	RWIT 02C3 BB 01	466,00
NF	RWIT 02C3 NF 01	460,00
HH	RWIT 02C3 HH 01	565,00
CZ	RWIT 02C3 CZ 01	565,00
DZ	RWIT 02C3 DZ 01	726,00

RWIT 22A2 ZZ 01 237,00
 **PARTI INCASSO - CONCEALED BODY**
CORPS À ENCASTRER - UNTERPUTZTEIL



Miscelatore monocomando con deviatore 3 uscite
 Concealed mixer with 3 ways diverter
 Mitigeur à encastrer avec inverseur à 3 sorties
 EHM UP mit 3 Wege Umsteller

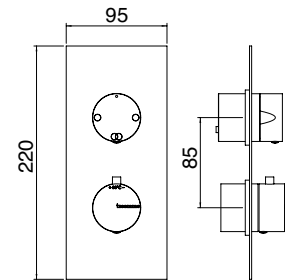


CC	RWIT 8A46 CC 03	230,00
NN	RWIT 8A46 NN 03	327,00
BB	RWIT 8A46 BB 03	327,00
NF	RWIT 8A46 NF 03	323,00
HH	RWIT 8A46 HH 03	396,00
CZ	RWIT 8A46 CZ 03	396,00
DZ	RWIT 8A46 DZ 03	508,00

RWIT 8A46 ZZ 20 309,00
 **PARTI INCASSO - CONCEALED BODY**
CORPS À ENCASTRER - UNTERPUTZTEIL



Termostatico incasso con deviatore 2 uscite
 Concealed thermostatic with 2 ways diverter
 Thermostatique à encastrer avec inverseur à 2 sorties
 UP-Thermostat mit 2 Wege Umsteller

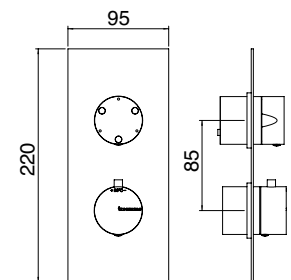


CC	RWIT 8A72 CC 03	277,00
NN	RWIT 8A72 NN 03	393,00
BB	RWIT 8A72 BB 03	393,00
NF	RWIT 8A72 NF 03	388,00
HH	RWIT 8A72 HH 03	475,00
CZ	RWIT 8A72 CZ 03	475,00
DZ	RWIT 8A72 DZ 03	611,00

RWIT 8A46 ZZ 20 309,00
 **PARTI INCASSO - CONCEALED BODY**
CORPS À ENCASTRER - UNTERPUTZTEIL



Termostatico incasso con deviatore 3 uscite
 Concealed thermostatic with 3 ways diverter
 Thermostatique à encastrer avec inverseur à 3 sorties
 UP-Thermostat mit 3 Wege Umsteller



CC	RWIT 7582 CC 04	176,00
NN	RWIT 7582 NN 04	234,00
BB	RWIT 7582 BB 04	234,00
NF	RWIT 7582 NF 04	228,00
HH	RWIT 7582 HH 04	270,00
CZ	RWIT 7582 CZ 04	270,00
DZ	RWIT 7582 DZ 04	365,00

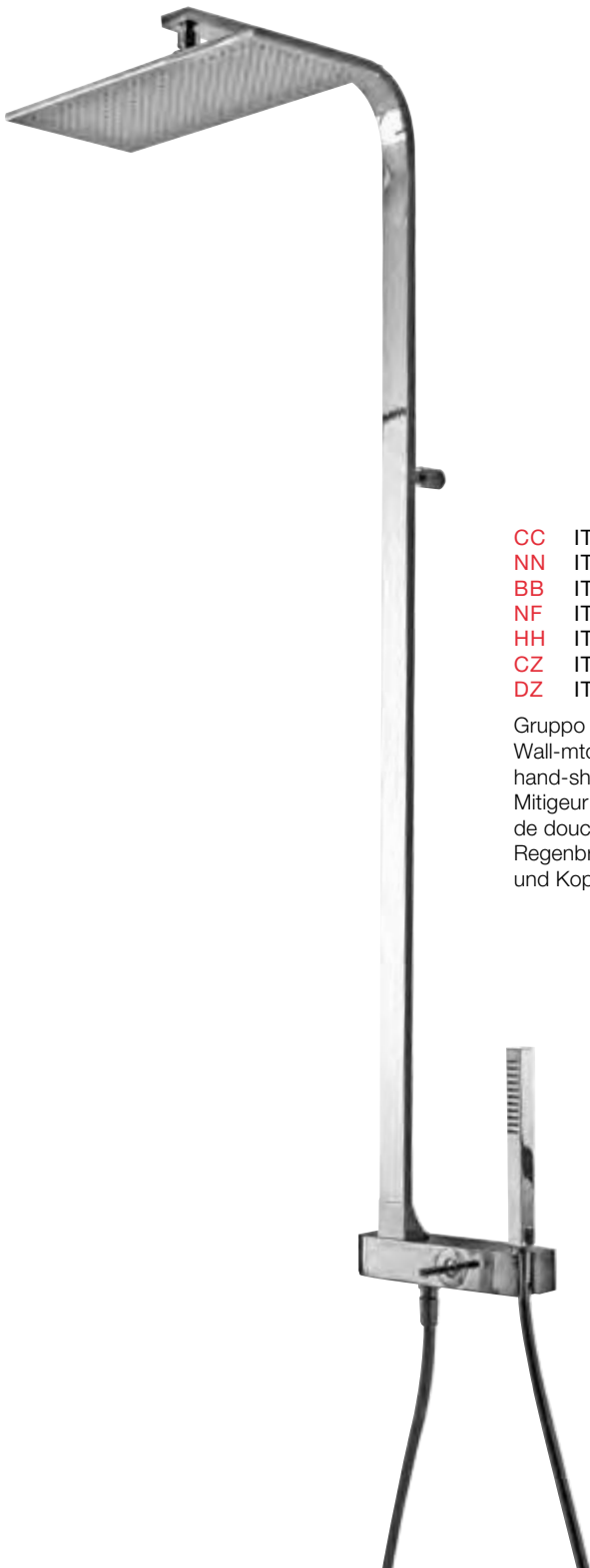
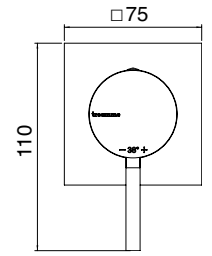
RWIT 7582 CC 02	142,00
RWIT 7582 NN 02	189,00
RWIT 7582 BB 02	189,00
+ RWIT 7582 NF 02	185,00
RWIT 7582 HH 02	219,00
RWIT 7582 CZ 02	219,00
RWIT 7582 DZ 02	295,00



Termostatico incasso COAX
 Concealed thermostatic COAX
 Thermostatique à encastrer COAX
 UP-Thermostat COAX

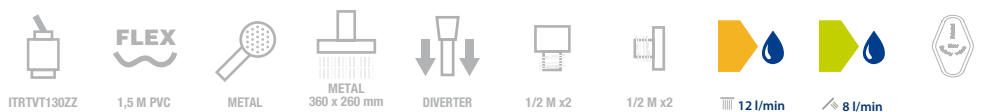
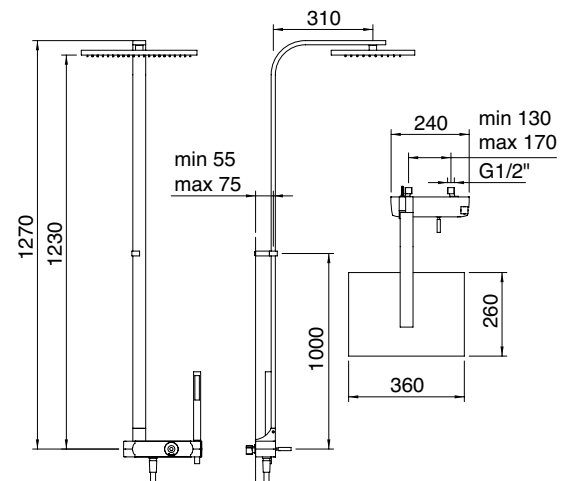


PARTI INCASSO - CONCEALED BODY
CORPS À ENCASTRER - UNTERPUTZTEIL



CC	IT 0260 CC AH ZZ	1.871,00
NN	IT 0260 NN AH ZZ	2.489,00
BB	IT 0260 BB AH ZZ	2.489,00
NF	IT 0260 NF AH ZZ	2.432,00
HH	IT 0260 HH AH ZZ	2.881,00
CZ	IT 0260 CZ AH ZZ	2.881,00
DZ	IT 0260 DZ AH ZZ	3.892,00

Gruppo doccia con doccetta e soffione anticalcare
 Wall-mtd. shower set, anti-limescale
 hand-shower and shower head
 Mitigeur douche mural, douchette et tête
 de douche anticalcaire
 Regenbrause-Set, Antikalk Handbrause
 und Kopfbrause





WATT

W-70S

Q30

T30

KEA

IOS

HEDÓ

PHILO

ARCHÉ

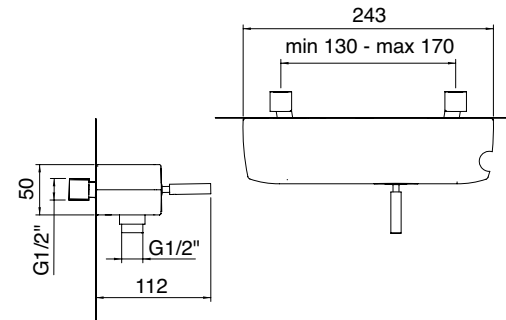
IT 0260 CC AH ZZ

ARCHÉ PHILLO HEDÓ IOS KEA T30 Q30 W-70S WATT



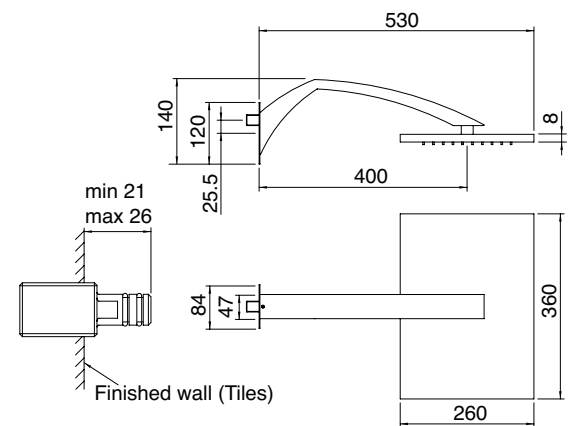
CC	IT 0256 CC AH ZZ	570,00
NN	IT 0256 NN AH ZZ	758,00
BB	IT 0256 BB AH ZZ	758,00
NF	IT 0256 NF AH ZZ	740,00
HH	IT 0256 HH AH ZZ	876,00
CZ	IT 0256 CZ AH ZZ	876,00
DZ	IT 0256 DZ AH ZZ	1.183,00

Miscelatore monocomando esterno doccia
Wall-mtd. shower mixer
Mitigeur douche mural
AP-Brause-Einhandbatterie



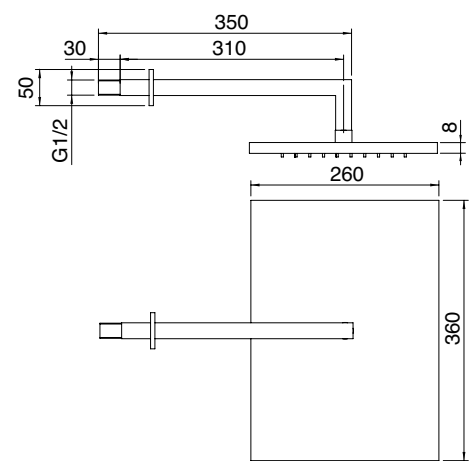
CC	RWIT 0247 CC 01	748,00
NN	RWIT 0247 NN 01	994,00
BB	RWIT 0247 BB 01	994,00
NF	RWIT 0247 NF 01	972,00
HH	RWIT 0247 HH 01	1.151,00
CZ	RWIT 0247 CZ 01	1.151,00
DZ	RWIT 0247 DZ 01	1.554,00

Soffione a parete anticalcare
Anti-limescale shower-head
Douche de tête anticalcaire avec bras mural
Antikalk Kopfbrause mit Arm



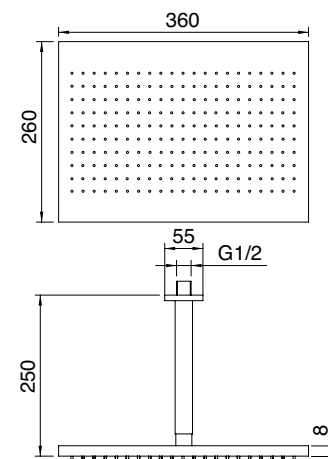
CC	IT 6566 CC ZZ ZZ	411,00
NN	IT 6566 NN ZZ ZZ	546,00
BB	IT 6566 BB ZZ ZZ	546,00
NF	IT 6566 NF ZZ ZZ	535,00
HH	IT 6566 HH ZZ ZZ	633,00
CZ	IT 6566 CZ ZZ ZZ	633,00
DZ	IT 6566 DZ ZZ ZZ	854,00

Soffione a parete anticalcare
Anti-limescale shower-head
Douche de tête anticalcaire avec bras mural
Antikalk Kopfbrause mit Arm



CC	IT 6591 CC ZZ ZZ	372,00
NN	IT 6591 NN ZZ ZZ	495,00
BB	IT 6591 BB ZZ ZZ	495,00
NF	IT 6591 NF ZZ ZZ	484,00
HH	IT 6591 HH ZZ ZZ	573,00
CZ	IT 6591 CZ ZZ ZZ	573,00
DZ	IT 6591 DZ ZZ ZZ	773,00

Soffione a soffitto anticalcare
Ceiling anti-limescale shower-head
Douche de tête anticalcaire avec bras au plafond
Antikalk Regenbrause mit Deckenanbindung

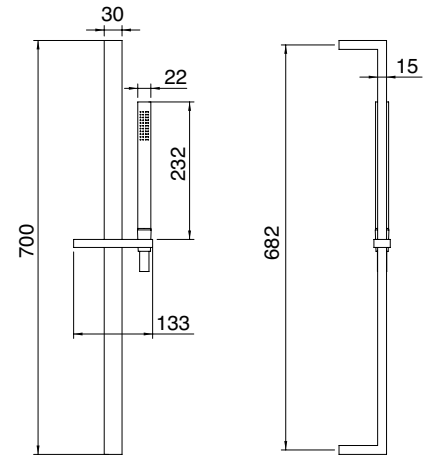


Arché



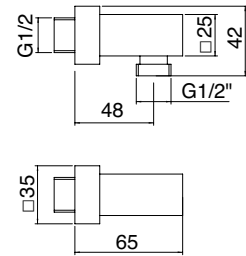
CC	IT 0411 CC ZZ ZZ	279,00
NN	IT 0411 NN ZZ ZZ	380,00
BB	IT 0411 BB ZZ ZZ	380,00
NF	IT 0411 NF ZZ ZZ	374,00
HH	IT 0411 HH ZZ ZZ	430,00
CZ	IT 0411 CZ ZZ ZZ	430,00
DZ	IT 0411 DZ ZZ ZZ	578,00

Kit saliscendi senza presa acqua
Sliding-bar kit without wall hose outlet
Barre coulissante sans coude mural
Gleitstange ohne Wandanschlussbogen



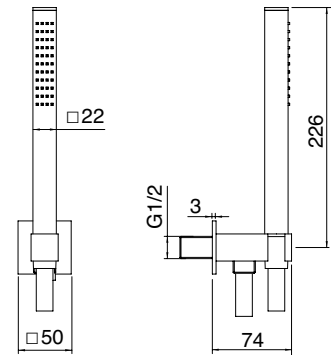
CC	IT RTGA 119 CC	39,00
NN	IT RTGA 119 NN	50,00
BB	IT RTGA 119 BB	50,00
NF	IT RTGA 119 NF	51,00
HH	IT RTGA 119 HH	58,00
CZ	IT RTGA 119 CZ	58,00
DZ	IT RTGA 119 DZ	79,00

Presa acqua a muro
Wall hose outlet
Coude mural
Wandanschlussbogen



CC	RWIT 5605 CC 74	182,00
NN	RWIT 5605 NN 74	254,00
BB	RWIT 5605 BB 74	254,00
NF	RWIT 5605 NF 74	244,00
HH	RWIT 5605 HH 74	278,00
CZ	RWIT 5605 CZ 74	278,00
DZ	RWIT 5605 DZ 74	374,00

Kit gancio, flessibile, doccia
Hook, flexible and hand shower kit
Kit support, flexible et douche
Brausehalter, Schlauch und Handbrause

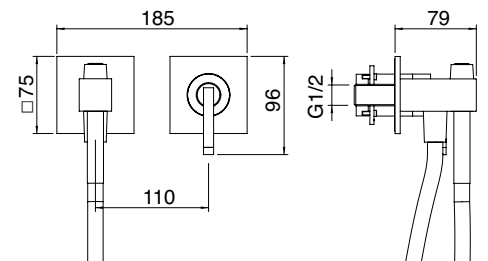


CC	RWIT 02D4 CC 05	325,00
NN	RWIT 02D4 NN 05	460,00
BB	RWIT 02D4 BB 05	460,00
NF	RWIT 02D4 NF 05	454,00
HH	RWIT 02D4 HH 05	557,00
CZ	RWIT 02D4 CZ 05	557,00
DZ	RWIT 02D4 DZ 05	715,00

Miscelatore incasso con doccia per WC
Concealed mixer with wc hand shower
Mitigeur à encastrer avec douche WC
U-P Mischer mit WC Handbrause



RWIT 51A5 ZZ 01 138,00
+ PARTI INCASSO - CONCEALED BODY
CORPS À ENCASTRER - UNTERPUTZTEIL





CC	RWIT 6565 CC 10	289,00
NN	RWIT 6565 NN 10	385,00
BB	RWIT 6565 BB 10	385,00
NF	RWIT 6565 NF 10	375,00
HH	RWIT 6565 HH 10	445,00
CZ	RWIT 6565 CZ 10	445,00
DZ	RWIT 6565 DZ 10	601,00

Idroscopino per WC
WC hand shower set
Douchette pour WC
Handbrause Set für WC



1 M PVC



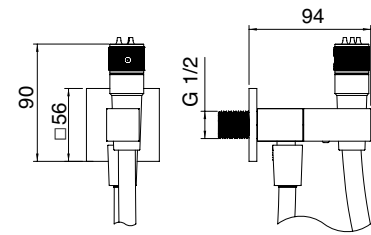
METAL



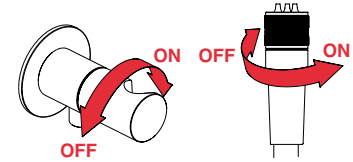
4 l/min



1/2 M



INSTRUCTION FOR USE



Manutenzione ETNITE
ETNITE maintenance
Entretien ETNITE
Wartung ETNITE

- La spugna Scotch-Brite universale, grazie alla speciale fibra antigraffio, garantisce la rimozione dello sporco senza rovinare la finitura del materiale. ⚠ E' sconsigliato l'uso di qualsiasi detergente abrasivo in quanto potrebbe alterare la finitura superficiale del cromo.

- The universal Scotch-Brite sponge made of special non-scratch fibres removes dirt without damaging the finishing. ⚠ We advise you to avoid using any kind of abrasive detergent because it may damage the chrome finishing.

- L'éponge Scotch-Brite universelle, grâce à la fibre spéciale anti-rayure, garantit l'élimination de la saleté sans abîmer la finition du matériau. ⚠ L'utilisation d'un quelconque détergent abrasif est déconseillée, puisqu'il pourrait altérer la finition en surface du chrome.

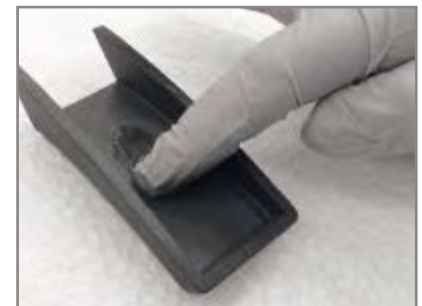
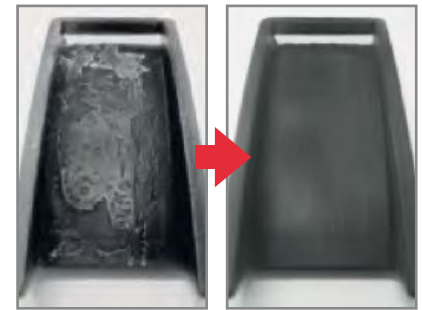
- Der Universal-Schwamm Scotch-Brite garantiert dank der speziellen kratzfreien Faser das Entfernen von Schmutz, ohne dabei die Feinbearbeitung des Materials zu beschädigen. ⚠ Vom Gebrauch von scheuernden Reinigungsmitteln raten wir ab, weil so die Oberflächenfeinbearbeitung aus Chrom beeinträchtigt werden könnte.

- La vasellina bianca renderà all'inserto in Etnite una finitura superficiale molto gradevole alla vista oltre a renderla "impermeabile" evitando così il deposito di calcare.

- The white Vaseline will make the Etnite insert finishing very appealing and also waterproof, thus preventing limescale deposits.

- La vaseline blanche rend à l'insert en Etnite une finition en surface très agréable à la vue en plus de la rendre «impermeable», ce qui permet d'éviter le dépôt de calcaire.

- Die weiße Vaseline verleiht dem Einbau aus Etnite nicht nur eine für das Auge sehr angenehme Oberflächenbearbeitung, sondern macht diese auch "undurchlässig" und verhindert somit die Kalkablagerung.



Per ulteriori composizioni doccia vedi sezione SHOWERS & THERMOSTATICS

For other shower fittings check the SHOWERS & THERMOSTATICS section

Pour d'autres solutions douche voir section SHOWERS & THERMOSTATICS

Für weitere duschaustattungen siehe abschnitt SHOWERS & THERMOSTATICS

Blok

design by giancarlo vegni

chrome **CC**
brushed nickel **NF**



WATT

W-70S

Q30

T30

KEA

IOS

HEDÓ

PHILO

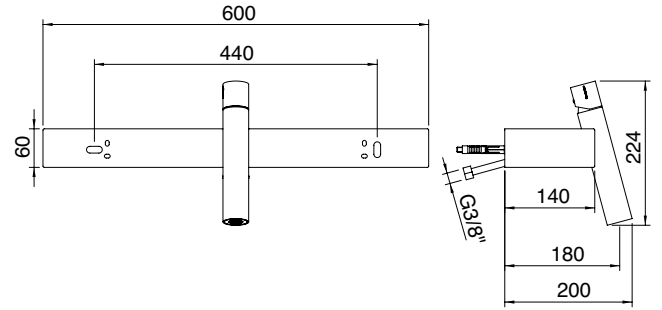
ARCHÉ

BLOK



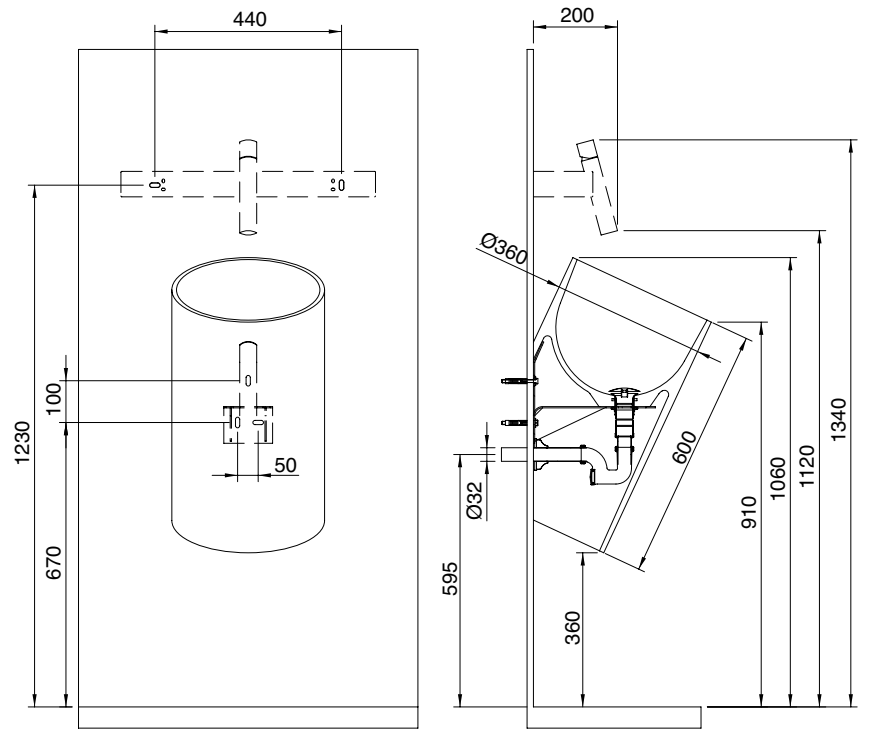
CC IT 5911 CC BF ZZ 684,00
 NF IT 5911 NF BF ZZ 889,00

Miscelatore monocomando lavabo
 Washbasin mixer
 Mitigeur lavabo
 Einhand-Waschtischmischer



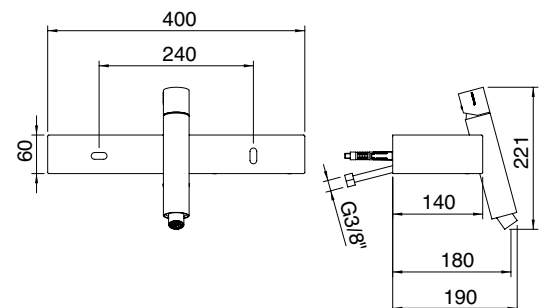
CC IT 6593 CC ZZ CP 1.313,00
 NF IT 6593 NF ZZ CP 1.350,00

Lavabo sospeso
 Wall mounted washbasin
 Lavabo suspendu
 Waschtisch



CC IT 5922 CC BF ZZ 639,00
 NF IT 5922 NF BF ZZ 830,00

Miscelatore monocomando bidet
 Bidet mixer
 Mitigeur bidet
 Einhand-Bidetmischer





WATT

W-70S

Q30

T30

KEA

IOS

HEDÓ

PHILO

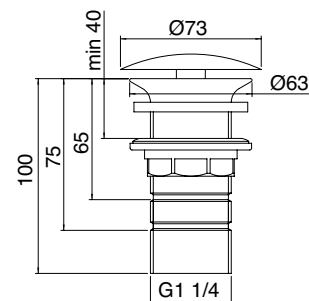
ARCHÉ

BLOK



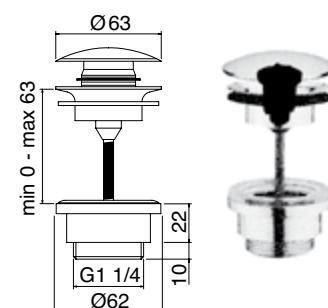
CC IT RTSA 114 CC 53,00
NF IT RTSA 114 NF 67,00

Scarico sempre aperto
 Pop-up continuous water flow
 Bonde écoulement libre
 Verschlussperre Ablaufgarnitur



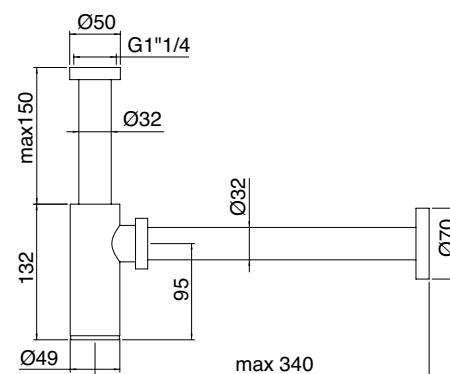
CC IT RTSA 117 CC 28,00
NF IT RTSA 117 NF 39,00

Scarico click-clack universale con inserto per sempre aperto
 Universal up/down pop-up waste with adaptor for continuous water flow
 Bonde click-clack universelle avec option écoulement libre
 Universal-Ablaufgarnitur Click-Clack mit Verschlussperre



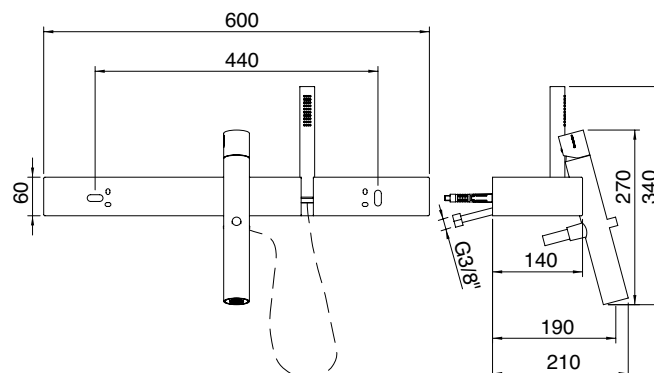
CC IT 0405 CC ZZ ZZ 88,00
NF IT 0405 NF ZZ ZZ 167,00

Sifone a vista
 Drain-trap
 Siphon
 Siphon für Waschtisch



CC IT 5900 CC BF ZZ 832,00
NF IT 5900 NF BF ZZ 1.080,00

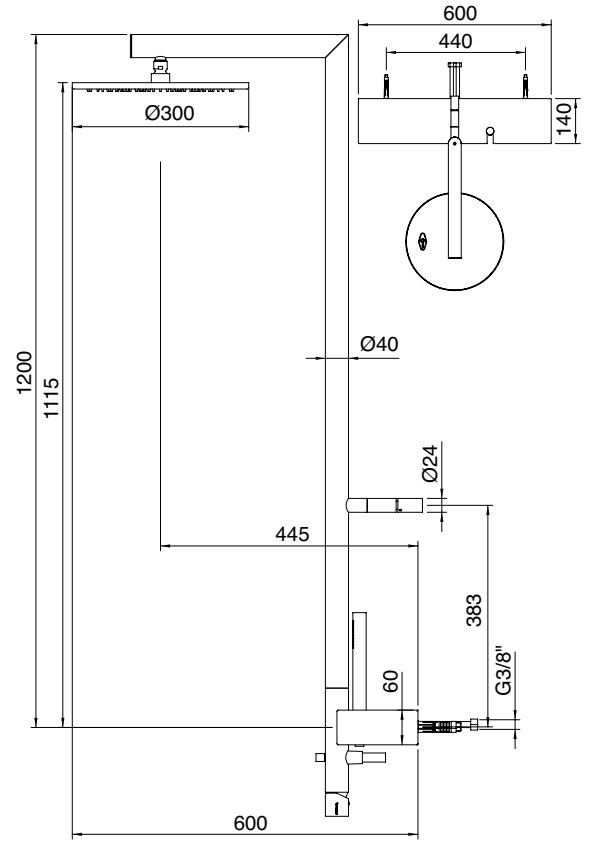
Miscelatore monocomando esterno vasca
 Wall-mtd. bathtub mixer
 Mitigeur bain/douche mural
 AP-Badewannen-Einhandbatterie





CC IT 5960 CC BF ZZ 1.622,00
NF IT 5960 NF BF ZZ 2.109,00

Gruppo doccia con doccetta e soffione anticalcare
 Wall-mtd. shower set, anti-limescale
 hand-shower and shower head
 Mitigeur douche mural, douchette et tête
 de douche anticalcaire
 Regenbrause-Set, Antikalk Handbrause
 und Kopfbrause



ITRTVT131ZZ



FLEX

1,5 M PVC



METAL



METAL 300 mm



9 l/min

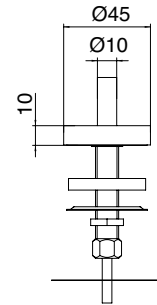


8 l/min



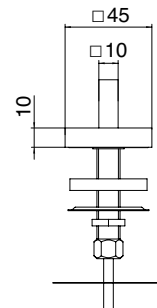
CC RWIT 7220 CC 05 64,00
NF RWIT 7220 NF 05 84,00

Scarico completo rotondo per bidet
 Round waste rod and knob for bidet
 Vidage à tirette ronde
 Runde Betätigung für Ablauf Bidet



CC RWIT 7320 CC 05 77,00
NF RWIT 7320 NF 05 98,00

Scarico completo quadrato per bidet
 Square waste rod and knob for bidet
 Vidage à tirette carré
 Eckige Betätigung für Ablauf Bidet



IT 5960 CC BF ZZ

BLOK

ARCHÉ

PHILO

HEDÓ

IOS

KEA

T30

Q30

W-70S

WATT



WATT

W-70S

Q30

T30

KEA

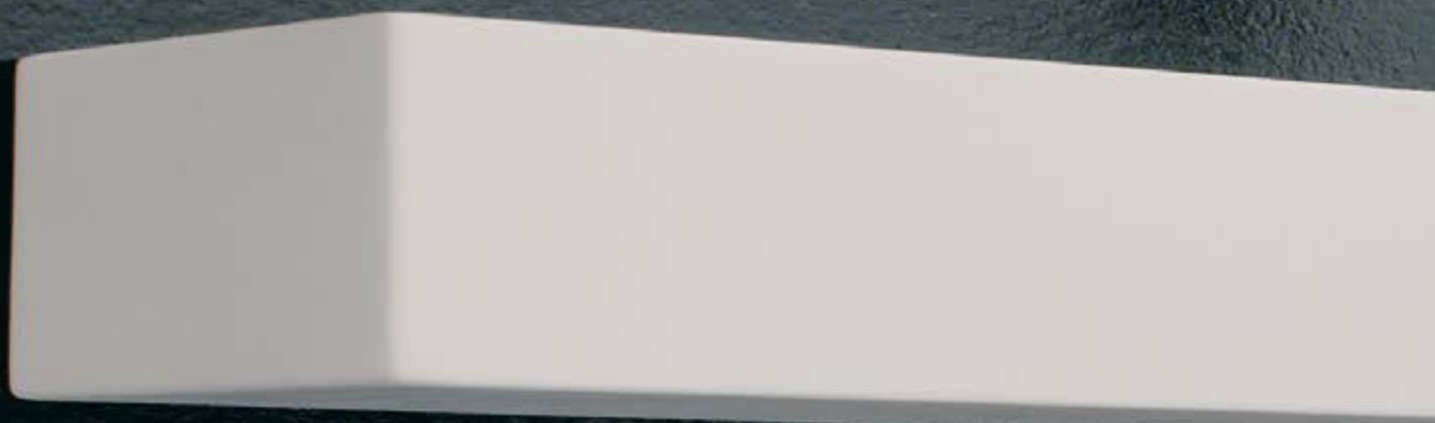
IOS

HEDÓ

PHILO

ARCHÉ

BLOK





IT 5900 CC BF ZZ

BLOK

ARCHÉ

PHILO

HEDÓ

IOS

KEA

T30

Q30

W-70S

WATT

Istruzioni di montaggio - Installation Instructions - Instruction de montage - Montageanleitung

Preliminari: Prima di procedere all'installazione è necessario pulire accuratamente le tubature per eliminare eventuali detriti in esse presenti.

Preliminary information: Before starting with the installation it is necessary to clean the pipes carefully in order to eliminate any deposit that may be found inside them.

Preliminaires: Avant de monter les mitigeur, il faut bien nettoyer les tuyaux pour éliminer toutes les impuretés à l'intérieur.

Einleitende Informationen: Spülen sie unbedingt vor der Montage sorgfältig die Anschlußleitungen.



IT 5900 __ BF ZZ

Miscelatore monocomando esterno vasca
Wall-mtd. bathtub mixer
Mitigeur bain/douche mural
AP-Badewannen-Einhandbatterie



IT 5911 __ BF ZZ

Miscelatore monocomando lavabo
Washbasin mixer
Mitigeur lavabo
Einhand-Waschtischmischer

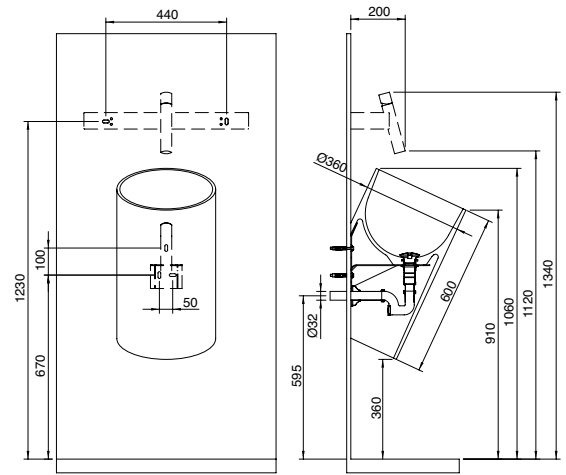


IT 5922 __ BF ZZ

Miscelatore monocomando bidet
Bidet mixer
Mitigeur bidet
Einhand-Bidetmischer

Posizionamento consigliato

- Suggested height - Hauteur conseillé - Höhenangabe



ATTENZIONE! Tutte le quote verticali indicate di seguito sono valide esclusivamente per una altezza dello scarico a muro, rispetto al pavimento, di 59-60 cm. Se la misura dovesse risultare diversa, dovranno essere ricalcolate per differenza le misure.

ATTENTION! All the suggested dimensions are valid if the siphon height of 59/60 cm, otherwise it will be necessary to recalculate them accordingly.

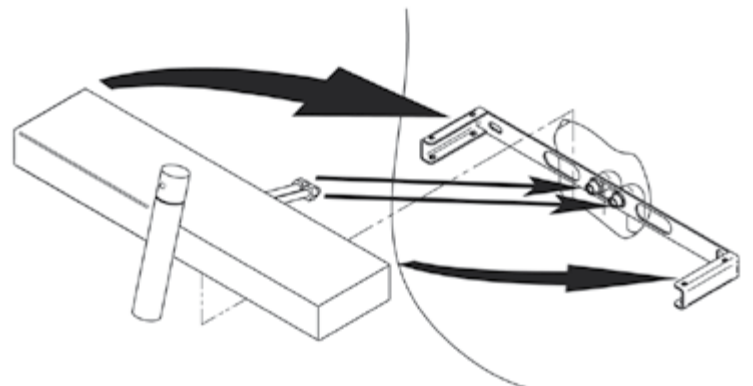
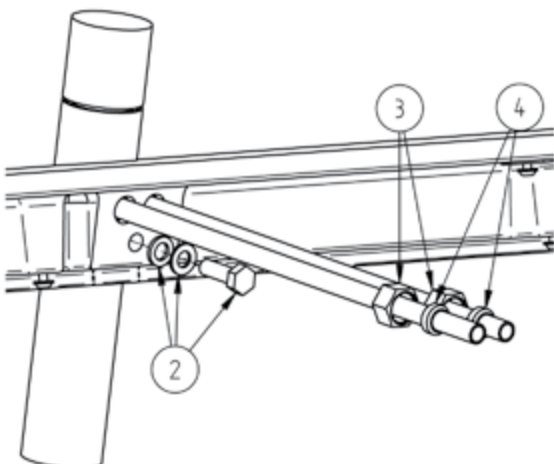
ATTENTION! Toutes les dimensions ont été prévues en tenant compte la hauteur du siphon à 59-60 cm. Dans le cas d'un positionnement différent, il faudra recalculer toutes les cotes.
ACHTUNG: Alle genannten vorgeschlagenen Höhenangaben sind nur gültig bei einer Abflusshöhe von 59-60 cm. Sollte eine andere Abflusshöhe vorliegen so sind die Maße dementsprechend nachzurechnen.

- Avvitare i tubetti al rubinetto e fissarlo alla mensola con vite a testa esagonale in dotazione (2) (posizionare in ordine la guarnizione di gomma, la rondella di acciaio e quindi la vite). Inserire le calotte esagonali (3) e le guarnizioni (4) sagomate bianche nei tubetti.
Posizionare la mensola sulla staffa facendo in modo che i tubetti di rame si inseriscano dentro i nipples.

- Screw copper tubes to the mixer and fix it to the shelf with the supplied screw (2). Place rubber basket first, then iron basket, then the screw.
Put hexagonal caps (3) and white gaskets (4) into the tubes. Position the shelf on the bracket fixing copper tubes into nipples.

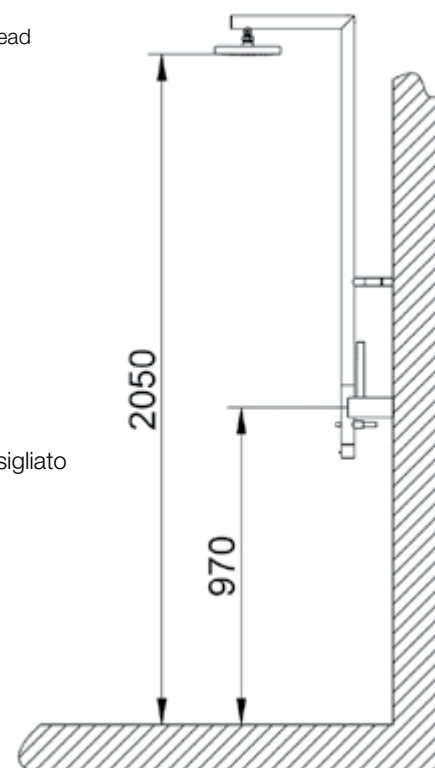
- Visser les tuyaux au mitigeur et visser le mitigeur à la tablette avec la vis (2) fournie. Positionner la jointe en caoutchouc d'abord, donc celle-ci en fer et la vis.
Insérez les calottes hexagonales (3) et les joints blancs (4) dans les tuyaux.
Positionner la tablette sur le châssis faisant attention de introduire les tuyaux dans les paries (1).

- Montieren sie die Anschlußrohre an der Blok Armatur und befestigen die Armatur dann an der Crystal Plant Konsole.
Biegen Sie die Rohre entsprechend vor und schieben danach die Überwurfmutter (3) und die weißen Dichtungen (4) über die Rohrenden.
Schieben Sie die Crystal Plant Konsole auf die Halterung.



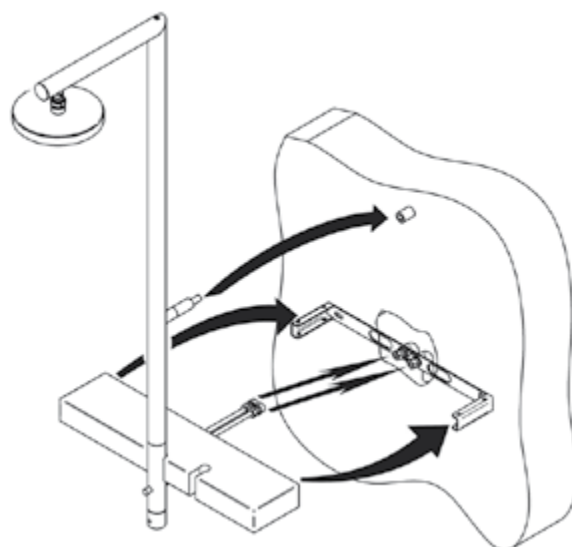
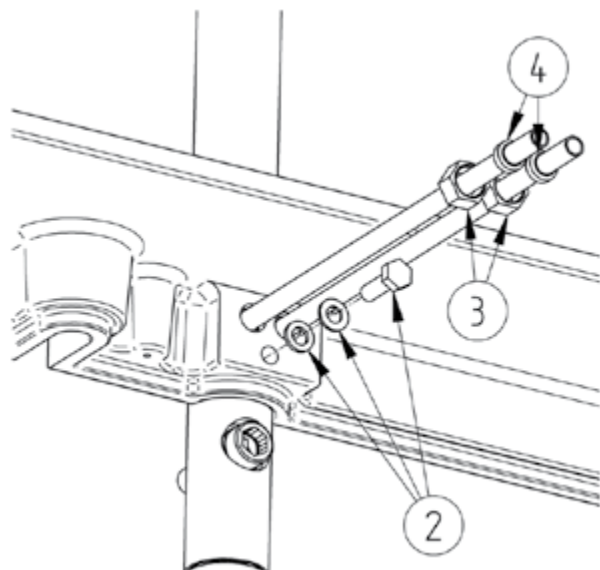
IT 5960 __ BF ZZ

Gruppo doccia con doccetta e soffione anticalcare
 Wall-mtd. shower set, anti-limescale hand-shower and shower head
 Mitigeur douche mural, douchette et tête de douche anticalcaire
 Regenbrause-Set, Antikalk Handbrause und Kopfbrause



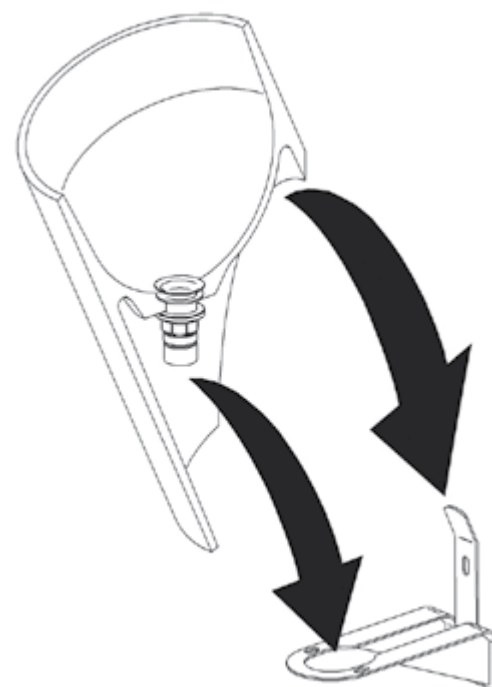
- Posizionamento consigliato
- Suggested height
- Hauteur conseillé
- Höhenangabe

- Avvitare i tubetti al rubinetto e fissarlo alla mensola con vite a testa esagonale in dotazione (2) (posizionare in ordine la guarnizione di gomma, la rondella di acciaio e quindi la vite). Inserire le calotte esagonali (3) e le guarnizioni (4) sagomate bianche nei tubetti. Posizionare la mensola sulla staffa facendo in modo che i tubetti di rame si inseriscano dentro i nipples.
- Screw copper tubes to the mixer and fix it to the shelf with the supplied screw (2). Place rubber basket first, then iron basket, then the screw. Put hexagonal caps (3) and white gaskets (4) into the tubes. Position the shelf on the bracket fixing copper tubes into nipples.
- Visser les tuyaux au mitigeur et visser le mitigeur à la tablette avec la vis (2) fournie. Positionner la jointe en caoutchouc d'abord, donc celle-ci en fer et la vis. Insérez les calottes hexagonales (3) et les joints blancs (4) dans les tuyaux. Positionner la tablette sur le châssis faisant attention de introduire les tuyaux dans les paries (1).
- Montieren sie die Anschlußrohre an der Blok Armatur und befestigen die Armatur dann an der Crystal Plant Konsole. Biegen Sie die Rohre entsprechend vor und schieben danach die Überwurfmutter (3) und die weißen Dichtungen (4) über die Rohrenden. Schieben Sie die Crystal Plant Konsole auf die Halterung.



**IT 6593 __ ZZ CP**

Lavabo sospeso
Wall mounted washbasin
Lavabo suspendu
Waschtisch



- Posizionare il sanitario sulla staffa
- Put the washbasin on the bracket
- Positionner la vasque sur le châssis
- Waschbecken auf die Konsole setzen,
Gewindebolzen durch die entsprechenden Löcher stecken.

CURA E MANUTENZIONE DI CRISTALPLANT®

CRISTALPLANT® IN BREVE

CRISTALPLANT® è un materiale composto per la maggior parte di cariche minerali legate a piccole percentuali di resine.

MANUTENZIONE QUOTIDIANA

Prendersi cura di CRISTALPLANT® è semplice e veloce. È sufficiente pulire CRISTALPLANT® con acqua saponata o comuni detersivi per rimuovere la maggior parte delle macchie e dello sporco che si possono depositare sulla superficie. Sono in particolare consigliati detersivi in gel, o abrasivi, avendo cura di risciacquare bene la superficie, utilizzati con una spugna abrasiva tipo "Scotch Brite®" come campione allegato (foto1); in questo modo verrà mantenuta la finitura opaca originale, caratteristica distintiva del CRISTALPLANT®.

COME PREVENIRE I DANNEGGIAMENTI

La superficie ha una buona resistenza alle macchie in genere; ciò nonostante si sconsiglia l'utilizzo di prodotti chimici aggressivi quali acetone, trielina, acidi o basi forti. Alcune sostanze come inchiostro, cosmetici e tinte, a contatto prolungato con il materiale possono rilasciare coloranti sulla superficie di CRISTALPLANT®, stessa cosa per le sigarette accese; ma il tutto può venire rimosso seguendo i consigli sotto riportati.

RIMUOVERE MACCHIE OSTINATE, GRAFFI E BRUCIATURE

CRISTALPLANT® è un materiale omogeneo in tutto il suo spessore, può quindi essere riparato dalle aggressioni superficiali, quali graffi, bruciature di sigaretta e macchie ostinate riportando la superficie alla bellezza originale (foto 2) semplicemente seguendo queste indicazioni:

Per piccoli danneggiamenti è possibile ripristinare la superficie adoperando una spugnetta abrasiva Scotch Brite® (marchio registrato 3M) e un comune pulitore abrasivo. Levigare superficialmente la parte danneggiata. Se il difetto è ancora visibile ripassare levigando con carta abrasiva molto fine.

CARE AND MAINTENANCE OF CRISTALPLANT®

A BRIEF DESCRIPTION OF CRISTALPLANT®

CRISTALPLANT® is a composite material comprising mainly of minerals bonded with a small percentage of resins.

DAILY MAINTENANCE

Caring for CRISTALPLANT® is both fast and easy. It is enough to clean CRISTALPLANT® with soapy water or household detergents in order to remove the majority of stains and dirt which are deposited on the surface. Gel or abrasive detergents are recommended taking care to thoroughly rinse the surface. When using an abrasive Scotch-Brite™ pad, like the enclosed photo the original opaque finish which is the distinguishing characteristic of CRISTALPLANT® will be maintained.

PREVENTING DAMAGE

Whilst surfaces generally resistant to marking, nevertheless the use of aggressive chemical products such as acetone, trielin, strong acids is discouraged. Some substances such as ink, makeup and dyes as well as cigarettes may leave stains and marks on the CRISTALPLANT® surface but they can all be removed by following the instructions below.

REMOVING STUBBORN STAINS, SCRATCHES AND BURNS

CRISTALPLANT® is a material that is homogeneous throughout its thickness and scratches, cigarette burns and stubborn stains can be removed returning the surface to its original beauty by following these instructions: For light superficial damage, the surface can be restored by using an abrasive Scotch-Brite™ pad (trade mark of 3M) and a household abrasive cleaner. For more deeper damage one can sand the damaged area. If the defect is still visible, repeat the sanding using very fine grain abrasive paper.

SOIN ET ENTRETIEN DE CRISTALPLANT®

CRISTALPLANT® EN DEUX MOTS

CRISTALPLANT® est un matériau composite, constitué principalement de charges minérales liées à de faibles pourcentages de résines.

ENTRETIEN QUOTIDIEN

CRISTALPLANT® est d'un entretien facile et rapide. Il suffit de nettoyer CRISTALPLANT® à l'eau savonneuse ou avec des détergents courants pour éliminer la plupart des taches et de la saleté pouvant se déposer sur la surface. Tout particulièrement, nous conseillons les détergents en gel, ou abrasifs, en prenant soin de bien rincer la surface, utilisés avec une éponge abrasive du type « Scotch-Brite™ » comme l'échantillon joint (photo 1) ; on conservera ainsi la finition opaque d'origine, signe distinctif du CRISTALPLANT®.

COMMENT ÉVITER LES DÉGÂTS

En général, la surface a une bonne résistance aux taches ; toutefois, nous déconseillons l'utilisation de produits chimiques agressifs tels que l'acétone, le trichloréthylène, les acides ou les bases fortes. Certaines substances comme l'encre, les cosmétiques et les vernis, en contact prolongé avec le matériau, peuvent libérer des colorants sur la surface de CRISTALPLANT®, de même que les cigarettes allumées; mais il est possible de les éliminer en suivant les conseils reportés ci-dessous.

ÉLIMINER TACHES TENACES, ÉRAFLURES ET BRÛLURES

CRISTALPLANT® est un matériau homogène dans toute l'épaisseur, on peut donc le protéger des attaques superficielles telles que les éraflures, les brûlures de cigarette et les taches tenaces en redonnant à la surface sa beauté d'origine (photo 2)

tout simplement en suivant ces indications: Pour les dégâts limités, on peut réparer la surface en utilisant une éponge abrasive Scotch-Brite™ (marque enregistrée 3M) et un produit abrasif courant. Polir en surface la partie endommagée.

Si le défaut est encore visible, recommencer en passant du papier-émeri très fin.

SORGFALT UND WARTUNG VON CRISTALPLANT®**EINE KURZE BESCHREIBUNG VON CRISTALPLANT®**

CRISTALPLANT®

ist ein Material, das hauptsächlich aus Mineralstoffen besteht, die durch einen kleinen Anteil von Harzen gebunden werden.

TÄGLICHE PFLEGE:

CRISTALPLANT® wird mit handelsüblichen Haushaltsreinigern gesäubert. Diese sind ausreichend um normale Verschmutzung zu entfernen. Reinigungsmittel mit Scheuerwirkung sollten vermieden werden! Verwenden sie für hartnäckige Verschmutzungen bitte den mitgelieferten Scotch-Brite™ Schwamm. Somit bleibt die Oberfläche von Cristalplant erhalten.

VORBEUGENDE PFLEGE

Verwenden Sie keine Reiniger die mit Azeton, Trielin oder mit starken Säuren versetzt sind.

Verunreinigungen durch Tinte oder Asche können wie auf den nachfolgenden Abbildungen weitestgehend entfernt werden.

CRISTALPLANT®

ist ein Material von dem auch hartnäckige Flecken unter Einhaltung der Gebrauchsanleitung mit Poliermittel und feinem Schleifpapier entfernt werden können.

FOTO 1: MACCHIA DI CAFFÈ

PHOTO 1: COFFEE STAINS

PHOTO 1: TACHE DE CAFÉ

FOTO 1: KAFFEEFLECKEN

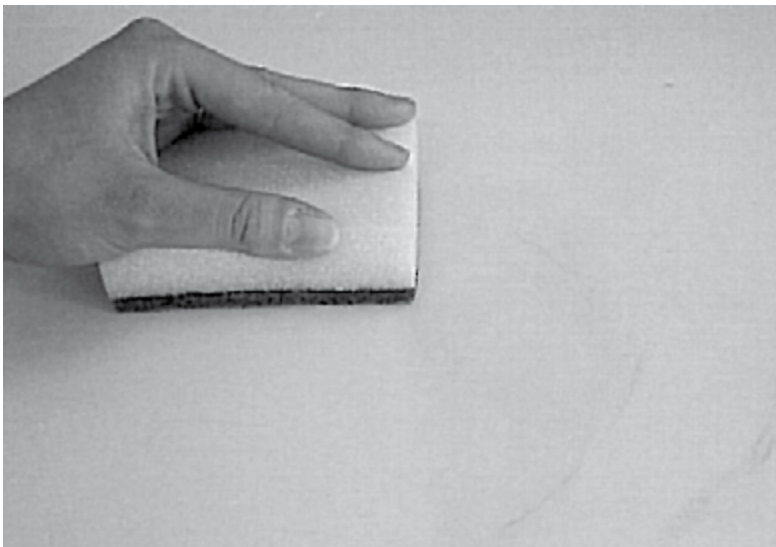
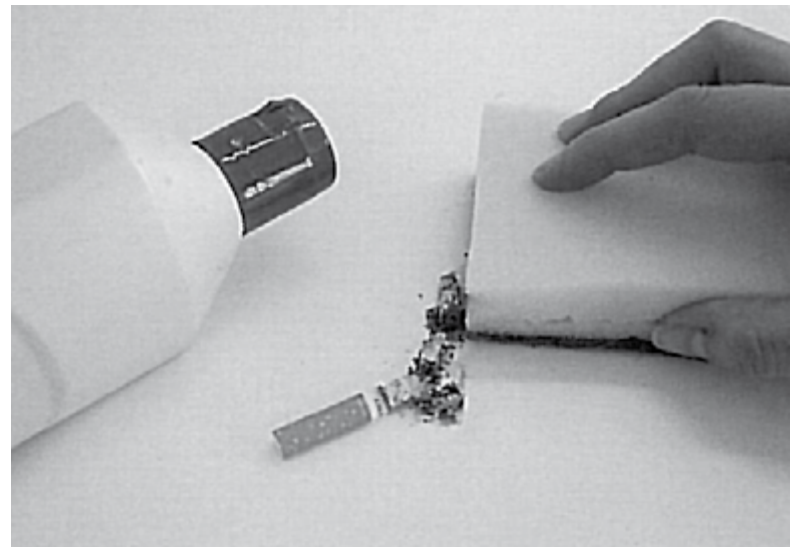


FOTO 2: BRUCIATURA DI SIGARETTA

PHOTO 2: CIGARETTE BURNS

PHOTO 2: BRÛLURE DE CIGARETTE

FOTO 2: ZIGARETTENASCHE



Per ulteriori composizioni doccia vedi sezione SHOWERS & THERMOSTATICS

For other shower fittings check the SHOWERS & THERMOSTATICS section

Pour d'autres solutions douche voir section SHOWERS & THERMOSTATICS

Für weitere duschaustattungen siehe abschnitt SHOWERS & THERMOSTATICS

Ran

design by marco pisati

- chrome **CC**
- matt black **NN**
- matt white **BB**
- polished nickel **NL**
- brushed nickel **NF**
- polished black chrome **HH**
- brushed black chrome **CZ**
- brushed bronze **US**
- brushed brass **UZ**
- gold **DD**
- brushed gold **DZ**

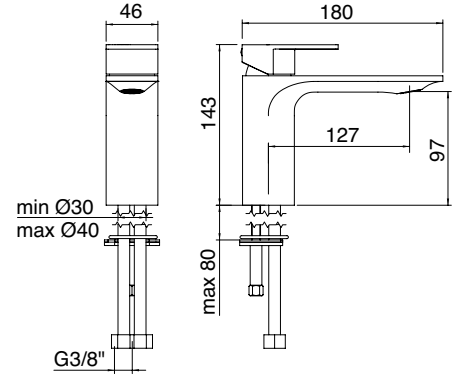


Ran



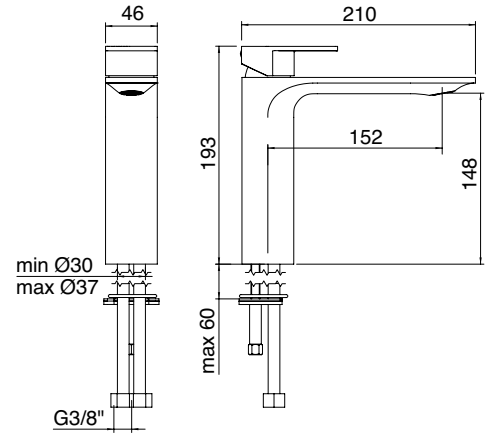
CC	IT 2211 CC RN ZZ	201,00
NN	IT 2211 NN RN ZZ	268,00
BB	IT 2211 BB RN ZZ	268,00
NL	IT 2211 NL RN ZZ	262,00
NF	IT 2211 NF RN ZZ	262,00
HH	IT 2211 HH RN ZZ	311,00
CZ	IT 2211 CZ RN ZZ	311,00
US	IT 2211 US RN ZZ	311,00
UZ	IT 2211 UZ RN ZZ	311,00
DD	IT 2211 DD RN ZZ	419,00
DZ	IT 2211 DZ RN ZZ	419,00

Miscelatore monocomando lavabo 97
 Washbasin mixer 97
 Mitigeur lavabo 97
 Einhand-Waschtischmischer 97



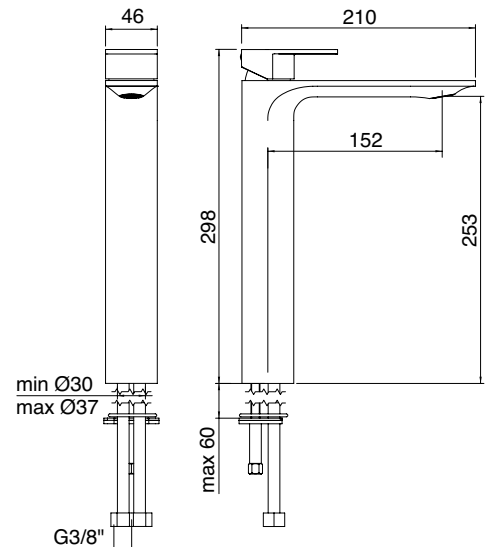
CC	IT 2227 CC RN ZZ	307,00
NN	IT 2227 NN RN ZZ	409,00
BB	IT 2227 BB RN ZZ	409,00
NL	IT 2227 NL RN ZZ	400,00
NF	IT 2227 NF RN ZZ	400,00
HH	IT 2227 HH RN ZZ	473,00
CZ	IT 2227 CZ RN ZZ	473,00
US	IT 2227 US RN ZZ	473,00
UZ	IT 2227 UZ RN ZZ	473,00
DD	IT 2227 DD RN ZZ	639,00
DZ	IT 2227 DZ RN ZZ	639,00

Miscelatore monocomando lavabo 148
 Washbasin mixer 148
 Mitigeur lavabo 148
 Einhand-Waschtischmischer 148



CC	IT 2218 CC RN ZZ	319,00
NN	IT 2218 NN RN ZZ	424,00
BB	IT 2218 BB RN ZZ	424,00
NL	IT 2218 NL RN ZZ	415,00
NF	IT 2218 NF RN ZZ	415,00
HH	IT 2218 HH RN ZZ	490,00
CZ	IT 2218 CZ RN ZZ	490,00
US	IT 2218 US RN ZZ	490,00
UZ	IT 2218 UZ RN ZZ	490,00
DD	IT 2218 DD RN ZZ	662,00
DZ	IT 2218 DZ RN ZZ	662,00

Miscelatore monocomando lavabo 253
 Washbasin mixer 253
 Mitigeur lavabo 253
 Einhand-Waschtischmischer 253







NF
brushed nickel



BB
matt white



CC
chrome



NN
matt black



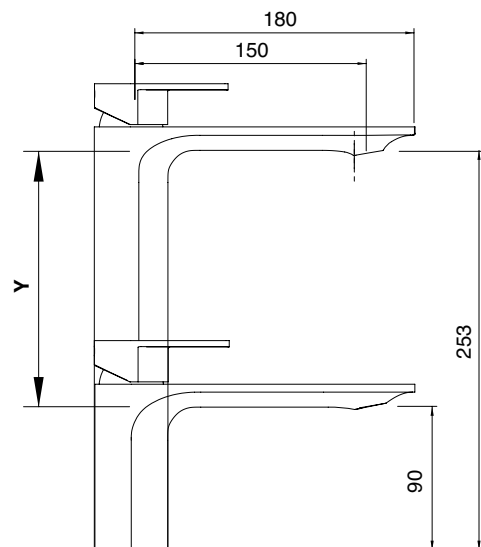


CC	IT 2212 CC RN YY	397,00
NN	IT 2212 NN RN YY	527,00
BB	IT 2212 BB RN YY	527,00
NL	IT 2212 NL RN YY	515,00
NF	IT 2212 NF RN YY	515,00
HH	IT 2212 HH RN YY	611,00
CZ	IT 2212 CZ RN YY	611,00
US	IT 2212 US RN YY	611,00
UZ	IT 2212 UZ RN YY	611,00
DD	IT 2212 DD RN YY	824,00
DZ	IT 2212 DZ RN YY	824,00

Miscelatore monocomando lavabo
Washbasin mixer
Mitigeur lavabo
Einhand-Waschtischmischer

"DIMENSIONI SU MISURA Da 90 a 253 mm"
"CUSTOMIZED SIZE"
"DIMENSIONS SUR MESURE"
"LÄNGE NACH MASS"

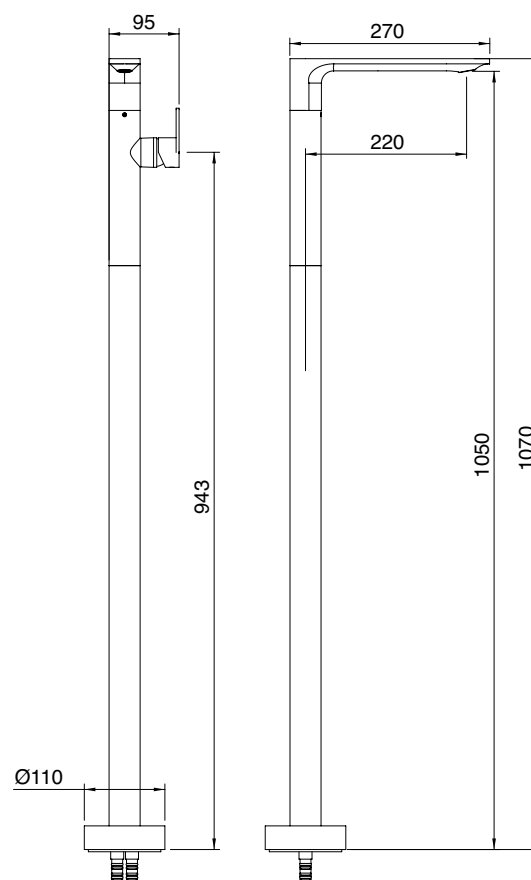
Y: Altezza - Height - Hauteur - Höhe
= ___ mm



CC	RWIT 2214 CC 01	642,00
NN	RWIT 2214 NN 01	911,00
BB	RWIT 2214 BB 01	911,00
NL	RWIT 2214 NL 01	899,00
NF	RWIT 2214 NF 01	899,00
HH	RWIT 2214 HH 01	1.104,00
CZ	RWIT 2214 CZ 01	1.104,00
US	RWIT 2214 US 01	1.104,00
UZ	RWIT 2214 UZ 01	1.104,00
DD	RWIT 2214 DD 01	1.418,00
DZ	RWIT 2214 DZ 01	1.418,00

Miscelatore monocomando lavabo da terra
Floor standing washbasin mixer
Mitigeur lavabo sur colonne au sol
Waschtisch-Einhebelmischer Standarmatur

RWIT 5703 ZZ 07 212,00
+ PARTI INCASSO - CONCEALED BODY
CORPS À ENCASTRER - UNTERPUTZTEIL







CC	RWIT 22A5 CC BC	258,00
NN	RWIT 22A5 NN BC	366,00
BB	RWIT 22A5 BB BC	366,00
NL	RWIT 22A5 NL BC	361,00
NF	RWIT 22A5 NF BC	361,00
HH	RWIT 22A5 HH BC	443,00
CZ	RWIT 22A5 CZ BC	443,00
US	RWIT 22A5 US BC	443,00
UZ	RWIT 22A5 UZ BC	443,00
DD	RWIT 22A5 DD BC	570,00
DZ	RWIT 22A5 DZ BC	570,00

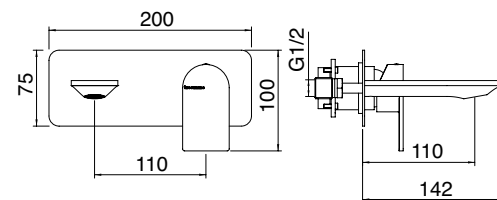
Miscelatore monocomando lavabo incasso 110
 Concealed washbasin mixer 110
 Mitigeur lavabo à encastrer 110
 UP-Einhand-Waschtischmischer 110



RWIT 51A5 ZZ 01 138,00
 + PARTI INCASSO - CONCEALED BODY
 CORPS À ENCASTRER - UNTERPUTZTEIL



P_790



CC	RWIT 22A5 CC 01	263,00
NN	RWIT 22A5 NN 01	374,00
BB	RWIT 22A5 BB 01	374,00
NL	RWIT 22A5 NL 01	368,00
NF	RWIT 22A5 NF 01	368,00
HH	RWIT 22A5 HH 01	453,00
CZ	RWIT 22A5 CZ 01	453,00
US	RWIT 22A5 US 01	453,00
UZ	RWIT 22A5 UZ 01	453,00
DD	RWIT 22A5 DD 01	581,00
DZ	RWIT 22A5 DZ 01	581,00

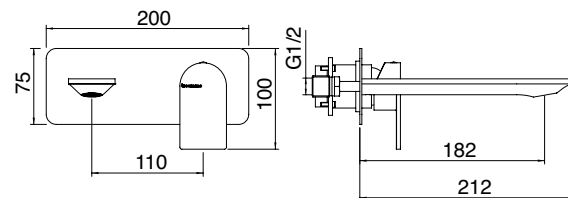
Miscelatore monocomando lavabo incasso 182
 Concealed washbasin mixer 182
 Mitigeur lavabo à encastrer 182
 UP-Einhand-Waschtischmischer 182



RWIT 51A5 ZZ 01 138,00
 + PARTI INCASSO - CONCEALED BODY
 CORPS À ENCASTRER - UNTERPUTZTEIL



P_790



CC	RWIT 22A6 CC 01	284,00
NN	RWIT 22A6 NN 01	403,00
BB	RWIT 22A6 BB 01	403,00
NL	RWIT 22A6 NL 01	397,00
NF	RWIT 22A6 NF 01	397,00
HH	RWIT 22A6 HH 01	488,00
CZ	RWIT 22A6 CZ 01	488,00
US	RWIT 22A6 US 01	488,00
UZ	RWIT 22A6 UZ 01	488,00
DD	RWIT 22A6 DD 01	627,00
DZ	RWIT 22A6 DZ 01	627,00

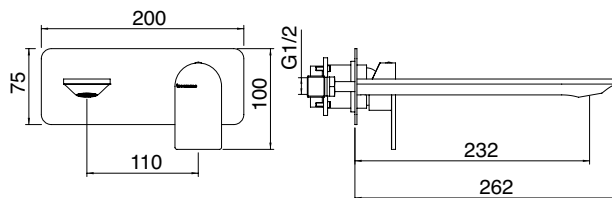
Miscelatore monocomando lavabo incasso 232
 Concealed washbasin mixer 232
 Mitigeur lavabo à encastrer 232
 UP-Einhand-Waschtischmischer 232



RWIT 51A5 ZZ 01 138,00
 + PARTI INCASSO - CONCEALED BODY
 CORPS À ENCASTRER - UNTERPUTZTEIL



P_790



CC	RWIT 22C5 CC BC	285,00
NN	RWIT 22C5 NN BC	404,00
BB	RWIT 22C5 BB BC	404,00
NL	RWIT 22C5 NL BC	399,00
NF	RWIT 22C5 NF BC	399,00
HH	RWIT 22C5 HH BC	490,00
CZ	RWIT 22C5 CZ BC	490,00
US	RWIT 22C5 US BC	490,00
UZ	RWIT 22C5 UZ BC	490,00
DD	RWIT 22C5 DD BC	629,00
DZ	RWIT 22C5 DZ BC	629,00

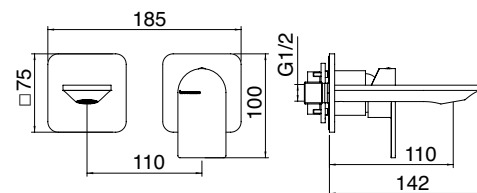
Miscelatore monocomando lavabo incasso 110
 Concealed washbasin mixer 110
 Mitigeur lavabo à encastrer 110
 UP-Einhand-Waschtischmischer 110



RWIT 51A5 ZZ 01 138,00
 + PARTI INCASSO - CONCEALED BODY
 CORPS À ENCASTRER - UNTERPUTZTEIL



P_790



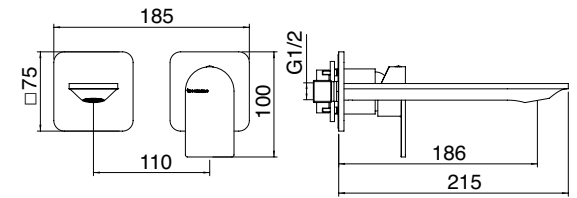


CC	RWIT 22C5 CC 01	290,00
NN	RWIT 22C5 NN 01	411,00
BB	RWIT 22C5 BB 01	411,00
NL	RWIT 22C5 NL 01	405,00
NF	RWIT 22C5 NF 01	405,00
HH	RWIT 22C5 HH 01	498,00
CZ	RWIT 22C5 CZ 01	498,00
US	RWIT 22C5 US 01	498,00
UZ	RWIT 22C5 UZ 01	498,00
DD	RWIT 22C5 DD 01	639,00
DZ	RWIT 22C5 DZ 01	639,00

Miscelatore monocomando lavabo incasso 186
 Concealed washbasin mixer 186
 Mitigeur lavabo à encastrer 186
 UP-Einhand-Waschtischmischer 186



RWIT 51A5 ZZ 01 138,00
 + PARTI INCASSO - CONCEALED BODY
 CORPS À ENCASTRER - UNTERPUTZTEIL

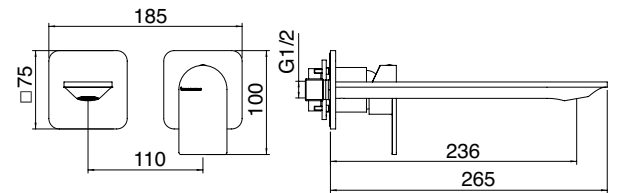


CC	RWIT 22C6 CC 01	313,00
NN	RWIT 22C6 NN 01	443,00
BB	RWIT 22C6 BB 01	443,00
NL	RWIT 22C6 NL 01	437,00
NF	RWIT 22C6 NF 01	437,00
HH	RWIT 22C6 HH 01	537,00
CZ	RWIT 22C6 CZ 01	537,00
US	RWIT 22C6 US 01	537,00
UZ	RWIT 22C6 UZ 01	537,00
DD	RWIT 22C6 DD 01	690,00
DZ	RWIT 22C6 DZ 01	690,00

Miscelatore monocomando lavabo incasso 236
 Concealed washbasin mixer 236
 Mitigeur lavabo à encastrer 236
 UP-Einhand-Waschtischmischer 236



RWIT 51A5 ZZ 01 138,00
 + PARTI INCASSO - CONCEALED BODY
 CORPS À ENCASTRER - UNTERPUTZTEIL

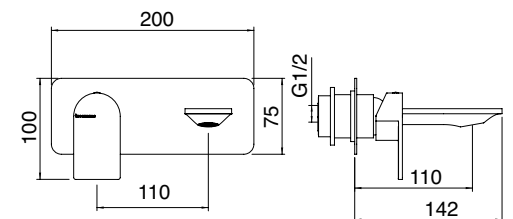


CC	RWIT 22A7 CC BC	258,00
NN	RWIT 22A7 NN BC	366,00
BB	RWIT 22A7 BB BC	366,00
NL	RWIT 22A7 NL BC	361,00
NF	RWIT 22A7 NF BC	361,00
HH	RWIT 22A7 HH BC	443,00
CZ	RWIT 22A7 CZ BC	443,00
US	RWIT 22A7 US BC	443,00
UZ	RWIT 22A7 UZ BC	443,00
DD	RWIT 22A7 DD BC	570,00
DZ	RWIT 22A7 DZ BC	570,00

Miscelatore monocomando lavabo incasso 110
 Concealed washbasin mixer 110
 Mitigeur lavabo à encastrer 110
 UP-Einhand-Waschtischmischer 110

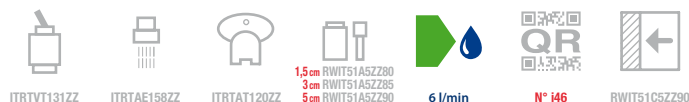


RWIT 51A5 ZZ 01 138,00
 + PARTI INCASSO - CONCEALED BODY
 CORPS À ENCASTRER - UNTERPUTZTEIL

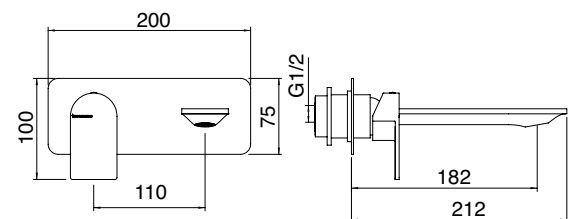


CC	RWIT 22A7 CC 01	263,00
NN	RWIT 22A7 NN 01	374,00
BB	RWIT 22A7 BB 01	374,00
NL	RWIT 22A7 NL 01	368,00
NF	RWIT 22A7 NF 01	368,00
HH	RWIT 22A7 HH 01	453,00
CZ	RWIT 22A7 CZ 01	453,00
US	RWIT 22A7 US 01	453,00
UZ	RWIT 22A7 UZ 01	453,00
DD	RWIT 22A7 DD 01	581,00
DZ	RWIT 22A7 DZ 01	581,00

Miscelatore monocomando lavabo incasso 182
 Concealed washbasin mixer 182
 Mitigeur lavabo à encastrer 182
 UP-Einhand-Waschtischmischer 182



RWIT 51A5 ZZ 01 138,00
 + PARTI INCASSO - CONCEALED BODY
 CORPS À ENCASTRER - UNTERPUTZTEIL





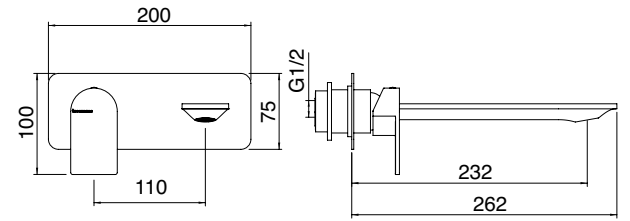


CC	RWIT 22A9 CC 01	284,00
NN	RWIT 22A9 NN 01	403,00
BB	RWIT 22A9 BB 01	403,00
NL	RWIT 22A9 NL 01	397,00
NF	RWIT 22A9 NF 01	397,00
HH	RWIT 22A9 HH 01	488,00
CZ	RWIT 22A9 CZ 01	488,00
US	RWIT 22A9 US 01	488,00
UZ	RWIT 22A9 UZ 01	488,00
DD	RWIT 22A9 DD 01	627,00
DZ	RWIT 22A9 DZ 01	627,00

Miscelatore monocomando lavabo incasso 232
 Concealed washbasin mixer 232
 Mitigeur lavabo à encastrer 232
 UP-Einhand-Waschtischmischer 232



RWIT 51A5 ZZ 01 138,00
 + PARTI INCASSO - CONCEALED BODY
 CORPS À ENCASTRER - UNTERPUTZTEIL

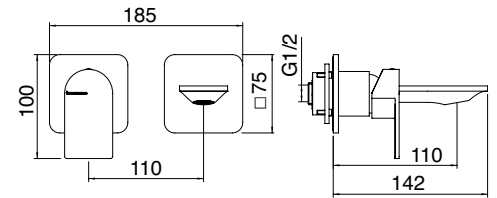


CC	RWIT 22C7 CC BC	285,00
NN	RWIT 22C7 NN BC	404,00
BB	RWIT 22C7 BB BC	404,00
NL	RWIT 22C7 NL BC	399,00
NF	RWIT 22C7 NF BC	399,00
HH	RWIT 22C7 HH BC	490,00
CZ	RWIT 22C7 CZ BC	490,00
US	RWIT 22C7 US BC	490,00
UZ	RWIT 22C7 UZ BC	490,00
DD	RWIT 22C7 DD BC	629,00
DZ	RWIT 22C7 DZ BC	629,00

Miscelatore monocomando lavabo incasso 110
 Concealed washbasin mixer 110
 Mitigeur lavabo à encastrer 110
 UP-Einhand-Waschtischmischer 110



RWIT 51A5 ZZ 01 138,00
 + PARTI INCASSO - CONCEALED BODY
 CORPS À ENCASTRER - UNTERPUTZTEIL

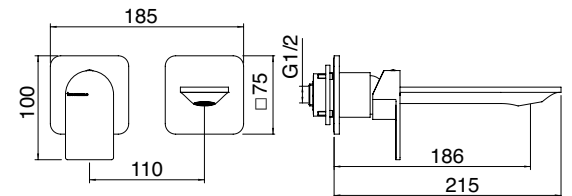


CC	RWIT 22C7 CC 01	290,00
NN	RWIT 22C7 NN 01	411,00
BB	RWIT 22C7 BB 01	411,00
NL	RWIT 22C7 NL 01	405,00
NF	RWIT 22C7 NF 01	405,00
HH	RWIT 22C7 HH 01	498,00
CZ	RWIT 22C7 CZ 01	498,00
US	RWIT 22C7 US 01	498,00
UZ	RWIT 22C7 UZ 01	498,00
DD	RWIT 22C7 DD 01	639,00
DZ	RWIT 22C7 DZ 01	639,00

Miscelatore monocomando lavabo incasso 186
 Concealed washbasin mixer 186
 Mitigeur lavabo à encastrer 186
 UP-Einhand-Waschtischmischer 186



RWIT 51A5 ZZ 01 138,00
 + PARTI INCASSO - CONCEALED BODY
 CORPS À ENCASTRER - UNTERPUTZTEIL

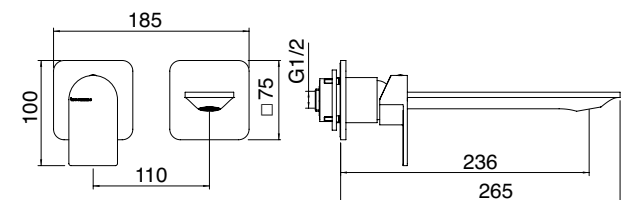


CC	RWIT 22C9 CC 01	313,00
NN	RWIT 22C9 NN 01	443,00
BB	RWIT 22C9 BB 01	443,00
NL	RWIT 22C9 NL 01	437,00
NF	RWIT 22C9 NF 01	437,00
HH	RWIT 22C9 HH 01	537,00
CZ	RWIT 22C9 CZ 01	537,00
US	RWIT 22C9 US 01	537,00
UZ	RWIT 22C9 UZ 01	537,00
DD	RWIT 22C9 DD 01	690,00
DZ	RWIT 22C9 DZ 01	690,00

Miscelatore monocomando lavabo incasso 236
 Concealed washbasin mixer 236
 Mitigeur lavabo à encastrer 236
 UP-Einhand-Waschtischmischer 236



RWIT 51A5 ZZ 01 138,00
 + PARTI INCASSO - CONCEALED BODY
 CORPS À ENCASTRER - UNTERPUTZTEIL



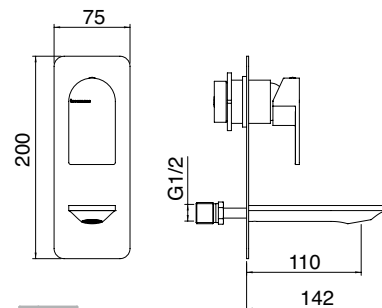


CC	RWIT 22B2 CC BC	258,00
NN	RWIT 22B2 NN BC	366,00
BB	RWIT 22B2 BB BC	366,00
NL	RWIT 22B2 NL BC	361,00
NF	RWIT 22B2 NF BC	361,00
HH	RWIT 22B2 HH BC	443,00
CZ	RWIT 22B2 CZ BC	443,00
US	RWIT 22B2 US BC	443,00
UZ	RWIT 22B2 UZ BC	443,00
DD	RWIT 22B2 DD BC	570,00
DZ	RWIT 22B2 DZ BC	570,00

Miscelatore monocomando lavabo incasso 110
 Concealed washbasin mixer 110
 Mitigeur lavabo à encastrer 110
 UP-Einhand-Waschtischmischer 110



RWIT 51A5 ZZ 01 138,00
 + PARTI INCASSO - CONCEALED BODY
 CORPS À ENCASTREUR - UNTERPUTZTEIL

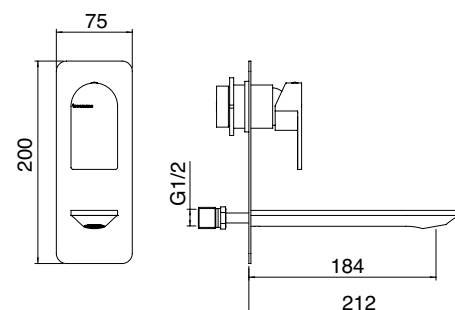


CC	RWIT 22B2 CC 01	263,00
NN	RWIT 22B2 NN 01	374,00
BB	RWIT 22B2 BB 01	374,00
NL	RWIT 22B2 NL 01	368,00
NF	RWIT 22B2 NF 01	368,00
HH	RWIT 22B2 HH 01	453,00
CZ	RWIT 22B2 CZ 01	453,00
US	RWIT 22B2 US 01	453,00
UZ	RWIT 22B2 UZ 01	453,00
DD	RWIT 22B2 DD 01	581,00
DZ	RWIT 22B2 DZ 01	581,00

Miscelatore monocomando lavabo incasso 184
 Concealed washbasin mixer 184
 Mitigeur lavabo à encastrer 184
 UP-Einhand-Waschtischmischer 184



RWIT 51A5 ZZ 01 138,00
 + PARTI INCASSO - CONCEALED BODY
 CORPS À ENCASTREUR - UNTERPUTZTEIL

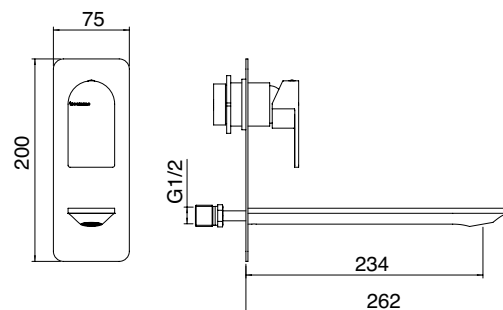


CC	RWIT 22B3 CC 01	284,00
NN	RWIT 22B3 NN 01	403,00
BB	RWIT 22B3 BB 01	403,00
NL	RWIT 22B3 NL 01	397,00
NF	RWIT 22B3 NF 01	397,00
HH	RWIT 22B3 HH 01	488,00
CZ	RWIT 22B3 CZ 01	488,00
US	RWIT 22B3 US 01	488,00
UZ	RWIT 22B3 UZ 01	488,00
DD	RWIT 22B3 DD 01	627,00
DZ	RWIT 22B3 DZ 01	627,00

Miscelatore monocomando lavabo incasso 234
 Concealed washbasin mixer 234
 Mitigeur lavabo à encastrer 234
 UP-Einhand-Waschtischmischer 234

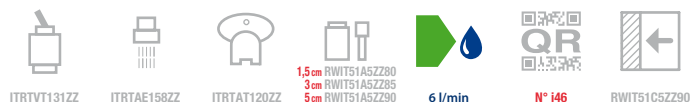


RWIT 51A5 ZZ 01 138,00
 + PARTI INCASSO - CONCEALED BODY
 CORPS À ENCASTREUR - UNTERPUTZTEIL

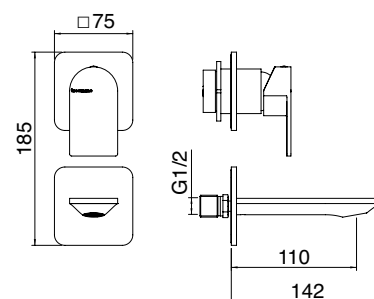


CC	RWIT 22D2 CC BC	285,00
NN	RWIT 22D2 NN BC	404,00
BB	RWIT 22D2 BB BC	404,00
NL	RWIT 22D2 NL BC	399,00
NF	RWIT 22D2 NF BC	399,00
HH	RWIT 22D2 HH BC	490,00
CZ	RWIT 22D2 CZ BC	490,00
US	RWIT 22D2 US BC	490,00
UZ	RWIT 22D2 UZ BC	490,00
DD	RWIT 22D2 DD BC	629,00
DZ	RWIT 22D2 DZ BC	629,00

Miscelatore monocomando lavabo incasso 110
 Concealed washbasin mixer 110
 Mitigeur lavabo à encastrer 110
 UP-Einhand-Waschtischmischer 110



RWIT 51A5 ZZ 01 138,00
 + PARTI INCASSO - CONCEALED BODY
 CORPS À ENCASTREUR - UNTERPUTZTEIL

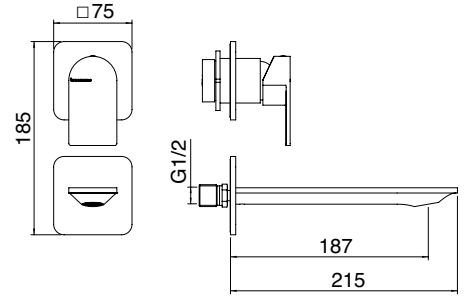




CC	RWIT 22D2 CC 01	290,00
NN	RWIT 22D2 NN 01	411,00
BB	RWIT 22D2 BB 01	411,00
NL	RWIT 22D2 NL 01	405,00
NF	RWIT 22D2 NF 01	405,00
HH	RWIT 22D2 HH 01	498,00
CZ	RWIT 22D2 CZ 01	498,00
US	RWIT 22D2 US 01	498,00
UZ	RWIT 22D2 UZ 01	498,00
DD	RWIT 22D2 DD 01	639,00
DZ	RWIT 22D2 DZ 01	639,00

Miscelatore monocomando lavabo incasso 187
 Concealed washbasin mixer 187
 Mitigeur lavabo à encastrer 187
 UP-Einhand-Waschtischmischer 187

RWIT 51A5 ZZ 01 138,00
 + PARTI INCASSO - CONCEALED BODY
 CORPS À ENCASTRER - UNTERPUTZTEIL



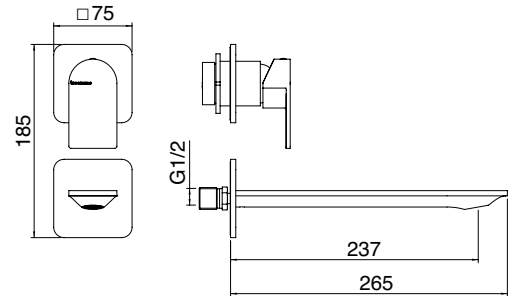
ITRTVT131ZZ
 ITRTAE158ZZ
 ITRTAT120ZZ
 1,5 cm RWIT51A5ZZ280
 3 cm RWIT51A5ZZ285
 5 cm RWIT51A5ZZ290
 6 l/min
 N° 146
 RWIT51C5ZZ90



CC	RWIT 22D3 CC 01	313,00
NN	RWIT 22D3 NN 01	443,00
BB	RWIT 22D3 BB 01	443,00
NL	RWIT 22D3 NL 01	437,00
NF	RWIT 22D3 NF 01	437,00
HH	RWIT 22D3 HH 01	537,00
CZ	RWIT 22D3 CZ 01	537,00
US	RWIT 22D3 US 01	537,00
UZ	RWIT 22D3 UZ 01	537,00
DD	RWIT 22D3 DD 01	690,00
DZ	RWIT 22D3 DZ 01	690,00

Miscelatore monocomando lavabo incasso 237
 Concealed washbasin mixer 237
 Mitigeur lavabo à encastrer 237
 UP-Einhand-Waschtischmischer 237

RWIT 51A5 ZZ 01 138,00
 + PARTI INCASSO - CONCEALED BODY
 CORPS À ENCASTRER - UNTERPUTZTEIL



ITRTVT131ZZ
 ITRTAE158ZZ
 ITRTAT120ZZ
 1,5 cm RWIT51A5ZZ280
 3 cm RWIT51A5ZZ285
 5 cm RWIT51A5ZZ290
 6 l/min
 N° 146
 RWIT51C5ZZ90



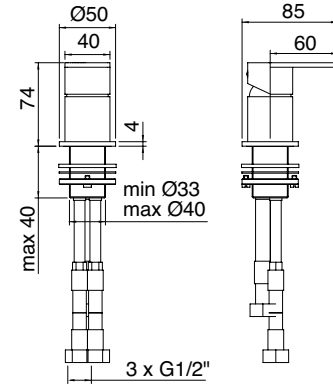
CC	RWIT 2268 CC 10	208,00
NN	RWIT 2268 NN 10	276,00
BB	RWIT 2268 BB 10	276,00
NL	RWIT 2268 NL 10	269,00
NF	RWIT 2268 NF 10	269,00
HH	RWIT 2268 HH 10	319,00
CZ	RWIT 2268 CZ 10	319,00
US	RWIT 2268 US 10	319,00
UZ	RWIT 2268 UZ 10	319,00
DD	RWIT 2268 DD 10	431,00
DZ	RWIT 2268 DZ 10	431,00



Monocomando remoto da piano per lavabo
Deck mounted control mixer
Mitigeur lavabo seul sur gorge
Waschtisch Einhebelmischer für separaten Auslauf



ITRTVT131ZZ 24 l/min



CC	RWIT 22C8 CC 01	147,00
NN	RWIT 22C8 NN 01	206,00
BB	RWIT 22C8 BB 01	206,00
NL	RWIT 22C8 NL 01	204,00
NF	RWIT 22C8 NF 01	204,00
HH	RWIT 22C8 HH 01	251,00
CZ	RWIT 22C8 CZ 01	251,00
US	RWIT 22C8 US 01	251,00
UZ	RWIT 22C8 UZ 01	251,00
DD	RWIT 22C8 DD 01	322,00
DZ	RWIT 22C8 DZ 01	322,00



Monocomando remoto lavabo/doccia incasso
Concealed washbasin/shower mixer
Mitigeur lavabo/douche à encastrer
UP-Waschtisch/Dusche Mischer

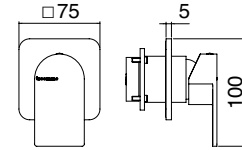


ITRTVT131ZZ 15 cm RWIT51A5ZZ80 3 cm RWIT51A5ZZ85 5 cm RWIT51A5ZZ90 28 l/min N° 143 RWIT51A8ZZ90

RWIT 51A8 ZZ 03 128,00
+ PARTI INCASSO - CONCEALED BODY
CORPS À ENCASTRER - UNTERPUTZTEIL



P_790



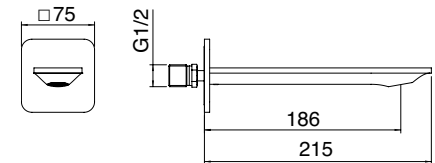
CC	IT 2263 CC ZZ ZZ	184,00
NN	IT 2263 NN ZZ ZZ	243,00
BB	IT 2263 BB ZZ ZZ	243,00
NL	IT 2263 NL ZZ ZZ	237,00
NF	IT 2263 NF ZZ ZZ	237,00
HH	IT 2263 HH ZZ ZZ	281,00
CZ	IT 2263 CZ ZZ ZZ	281,00
US	IT 2263 US ZZ ZZ	281,00
UZ	IT 2263 UZ ZZ ZZ	281,00
DD	IT 2263 DD ZZ ZZ	379,00
DZ	IT 2263 DZ ZZ ZZ	379,00



Bocca a muro 186
Wall-mtd. spout 186
Bec mural 186
Wandauslauf 186



ITRTAE158ZZ ITRTAT120ZZ 6 l/min



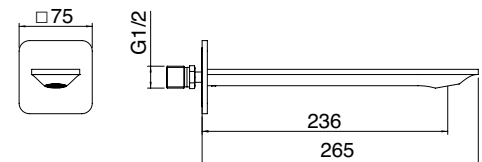
CC	IT 2261 CC ZZ ZZ	201,00
NN	IT 2261 NN ZZ ZZ	268,00
BB	IT 2261 BB ZZ ZZ	268,00
NL	IT 2261 NL ZZ ZZ	262,00
NF	IT 2261 NF ZZ ZZ	262,00
HH	IT 2261 HH ZZ ZZ	311,00
CZ	IT 2261 CZ ZZ ZZ	311,00
US	IT 2261 US ZZ ZZ	311,00
UZ	IT 2261 UZ ZZ ZZ	311,00
DD	IT 2261 DD ZZ ZZ	419,00
DZ	IT 2261 DZ ZZ ZZ	419,00



Bocca a muro 236
Wall-mtd. spout 236
Bec mural 236
Wandauslauf 236



ITRTAE158ZZ ITRTAT120ZZ 6 l/min



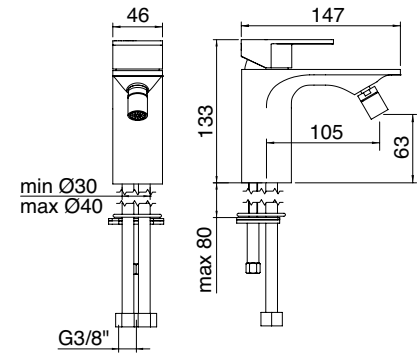


CC	IT 2222 CC RN ZZ	223,00
NN	IT 2222 NN RN ZZ	296,00
BB	IT 2222 BB RN ZZ	296,00
NL	IT 2222 NL RN ZZ	290,00
NF	IT 2222 NF RN ZZ	290,00
HH	IT 2222 HH RN ZZ	342,00
CZ	IT 2222 CZ RN ZZ	342,00
US	IT 2222 US RN ZZ	342,00
UZ	IT 2222 UZ RN ZZ	342,00
DD	IT 2222 DD RN ZZ	463,00
DZ	IT 2222 DZ RN ZZ	463,00

Miscelatore monocomando bidet
Bidet mixer
Mitigeur bidet
Einhand-Bidetmischer

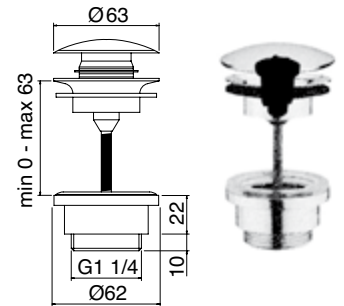


ITRTVT167ZZ 43° ITRTAE110 + ITRTAE106 6 l/min



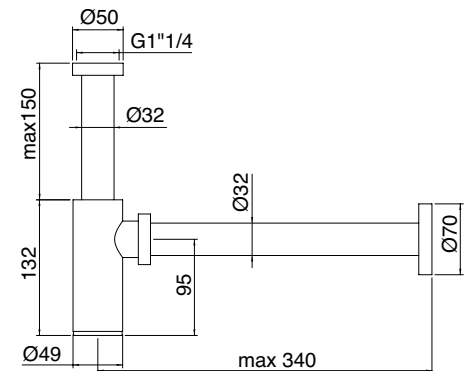
CC	IT RTSA 117 CC	28,00
NN	IT RTSA 117 NN	38,00
BB	IT RTSA 117 BB	38,00
NL	IT RTSA 117 NL	39,00
NF	IT RTSA 117 NF	39,00
HH	IT RTSA 117 HH	45,00
CZ	IT RTSA 117 CZ	45,00
US	IT RTSA 117 US	45,00
UZ	IT RTSA 117 UZ	45,00
DD	IT RTSA 117 DD	54,00
DZ	IT RTSA 117 DZ	59,00

Scarico click-clack universale con inserto per sempre aperto
Universal up/down pop-up waste with adaptor for continuous water flow
Bonde click-clack universelle avec option écoulement libre
Universal-Abflussgarnitur Click-Clack mit Verschlussperle



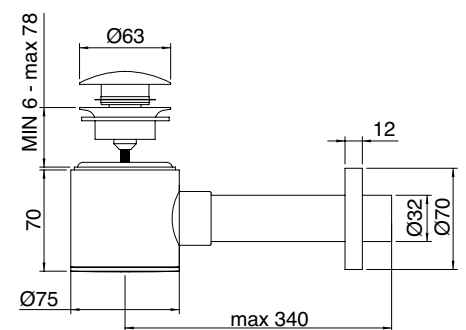
CC	IT 0405 CC ZZ ZZ	88,00
NN	IT 0405 NN ZZ ZZ	177,00
BB	IT 0405 BB ZZ ZZ	177,00
NL	IT 0405 NL ZZ ZZ	167,00
NF	IT 0405 NF ZZ ZZ	167,00
HH	IT 0405 HH ZZ ZZ	136,00
CZ	IT 0405 CZ ZZ ZZ	136,00
US	IT 0405 US ZZ ZZ	136,00
UZ	IT 0405 UZ ZZ ZZ	136,00
DD	IT 0405 DD ZZ ZZ	201,00
DZ	IT 0405 DZ ZZ ZZ	184,00

Sifone a vista
Drain-trap
Siphon
Siphon für Waschtisch



CC	RWIT 0408 CC 05	194,00
NN	RWIT 0408 NN 05	276,00
BB	RWIT 0408 BB 05	276,00
NL	RWIT 0408 NL 05	272,00
NF	RWIT 0408 NF 05	272,00
HH	RWIT 0408 HH 05	334,00
CZ	RWIT 0408 CZ 05	334,00
US	RWIT 0408 US 05	334,00
UZ	RWIT 0408 UZ 05	334,00
DD	RWIT 0408 DD 05	429,00
DZ	RWIT 0408 DZ 05	429,00

Sifone a vista
Drain-trap
Siphon
Siphon für Waschtisch







CC	IT 2200 CC RN ZZ	596,00
NN	IT 2200 NN RN ZZ	793,00
BB	IT 2200 BB RN ZZ	793,00
NL	IT 2200 NL RN ZZ	774,00
NF	IT 2200 NF RN ZZ	774,00
HH	IT 2200 HH RN ZZ	917,00
CZ	IT 2200 CZ RN ZZ	917,00
US	IT 2200 US RN ZZ	917,00
UZ	IT 2200 UZ RN ZZ	917,00
DD	IT 2200 DD RN ZZ	1.240,00
DZ	IT 2200 DZ RN ZZ	1.240,00

Miscelatore monocomando esterno vasca
 Wall-mtd. bathtub mixer
 Mitigeur bain/douche mural
 AP-Badewannen-Einhandbatterie



ITRTVT131ZZ



ITRTAE154ZZ



ITRTAT119ZZ



FLEX

1,5 M PVC



METAL



≈ 20 l/min



≈ 8 l/min

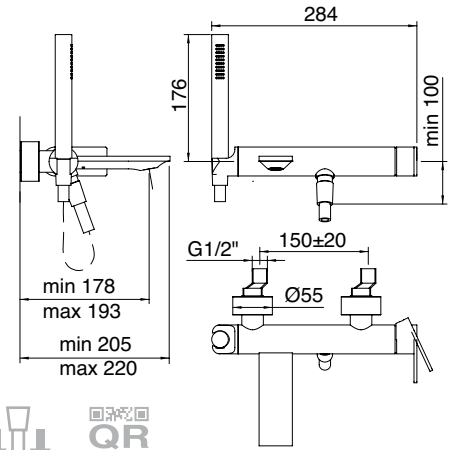


DIVERTER



QR

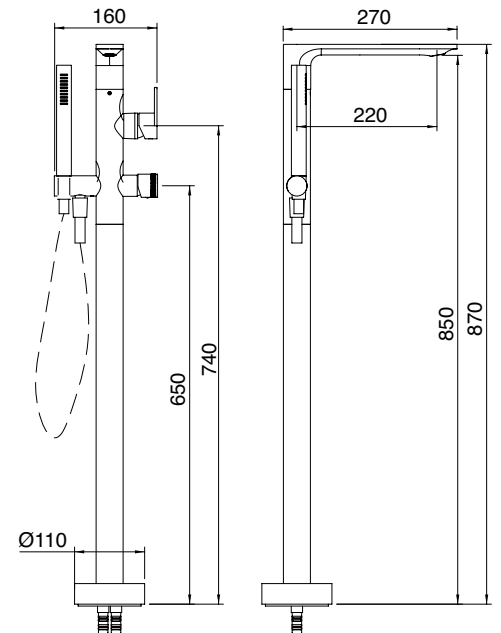
N° 67



CC	RWIT 2203 CC 01	847,00
NN	RWIT 2203 NN 01	1.205,00
BB	RWIT 2203 BB 01	1.205,00
NL	RWIT 2203 NL 01	1.187,00
NF	RWIT 2203 NF 01	1.187,00
HH	RWIT 2203 HH 01	1.458,00
CZ	RWIT 2203 CZ 01	1.458,00
US	RWIT 2203 US 01	1.458,00
UZ	RWIT 2203 UZ 01	1.458,00
DD	RWIT 2203 DD 01	1.872,00
DZ	RWIT 2203 DZ 01	1.872,00

Miscelatore monocomando vasca da terra
 Floor standing bathtub mixer
 Mitigeur bain douche sur colonne au sol
 Einhebel - Wannenstandarmatur

RWIT 5703 ZZ 07 212,00
 + PARTI INCASSO - CONCEALED BODY
 CORPS À ENCASTRER - UNTERPUTZTEIL



ITRTVT131ZZ



ITRTVT174ZZ



ITRTAE154ZZ



ITRTAT119ZZ



RWIT5703ZZ50



1,5 M PVC



METAL



≈ 20 l/min



≈ 8 l/min



N° 131



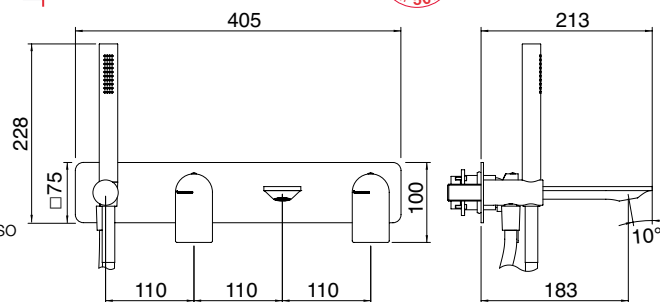
P_801



CC	RWIT 22D7 CC 01	571,00
NN	RWIT 22D7 NN 01	809,00
BB	RWIT 22D7 BB 01	809,00
NL	RWIT 22D7 NL 01	799,00
NF	RWIT 22D7 NF 01	799,00
HH	RWIT 22D7 HH 01	980,00
CZ	RWIT 22D7 CZ 01	980,00
US	RWIT 22D7 US 01	980,00
UZ	RWIT 22D7 UZ 01	980,00
DD	RWIT 22D7 DD 01	1.259,00
DZ	RWIT 22D7 DZ 01	1.259,00

Miscelatore monocomando vasca/doccia incasso
 Concealed bath/shower mixer
 Mitigeur bain/douche à encastrer
 Wanne / Brause EHM UP

RWIT 51D7 ZZ 12 305,00
 + PARTI INCASSO - CONCEALED BODY
 CORPS À ENCASTRER - UNTERPUTZTEIL



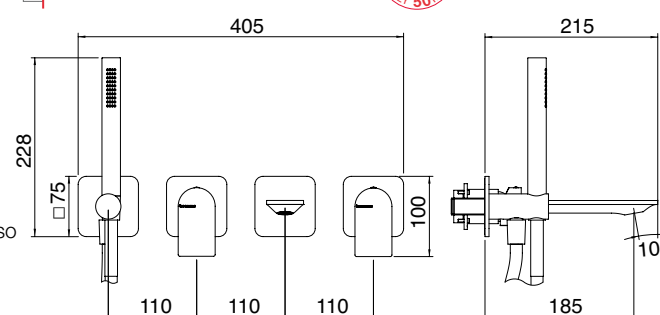
ITRTVT131ZZ ITRTAE154ZZ ITRTAT119ZZ 1,5 cm RWIT51ASZZ80 12
 3 cm RWIT51ASZZ85 12
 5 cm RWIT51ASZZ90 12 1,5 M PVC METAL > 22 l/min < 8 l/min N° 151 RWIT51D7ZZ50



CC	RWIT 22D8 CC 01	608,00
NN	RWIT 22D8 NN 01	863,00
BB	RWIT 22D8 BB 01	863,00
NL	RWIT 22D8 NL 01	849,00
NF	RWIT 22D8 NF 01	849,00
HH	RWIT 22D8 HH 01	1.044,00
CZ	RWIT 22D8 CZ 01	1.044,00
US	RWIT 22D8 US 01	1.044,00
UZ	RWIT 22D8 UZ 01	1.044,00
DD	RWIT 22D8 DD 01	1.341,00
DZ	RWIT 22D8 DZ 01	1.341,00

Miscelatore monocomando vasca/doccia incasso
 Concealed bath/shower mixer
 Mitigeur bain/douche à encastrer
 Wanne / Brause EHM UP

RWIT 51D7 ZZ 12 305,00
 + PARTI INCASSO - CONCEALED BODY
 CORPS À ENCASTRER - UNTERPUTZTEIL



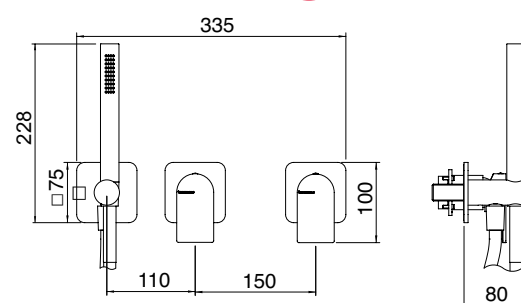
ITRTVT131ZZ ITRTAE154ZZ ITRTAT119ZZ 1,5 cm RWIT51ASZZ80 12
 3 cm RWIT51ASZZ85 12
 5 cm RWIT51ASZZ90 12 1,5 M PVC METAL > 22 l/min < 8 l/min N° 151 RWIT51D7ZZ50



CC	RWIT 22D9 CC 01	512,00
NN	RWIT 22D9 NN 01	728,00
BB	RWIT 22D9 BB 01	728,00
NL	RWIT 22D9 NL 01	717,00
NF	RWIT 22D9 NF 01	717,00
HH	RWIT 22D9 HH 01	880,00
CZ	RWIT 22D9 CZ 01	880,00
US	RWIT 22D9 US 01	880,00
UZ	RWIT 22D9 UZ 01	880,00
DD	RWIT 22D9 DD 01	1.131,00
DZ	RWIT 22D9 DZ 01	1.131,00

Miscelatore monocomando vasca/doccia incasso
 Concealed bath/shower mixer
 Mitigeur bain/douche à encastrer
 Wanne / Brause EHM UP

RWIT 51D9 ZZ 01 293,00
 + PARTI INCASSO - CONCEALED BODY
 CORPS À ENCASTRER - UNTERPUTZTEIL



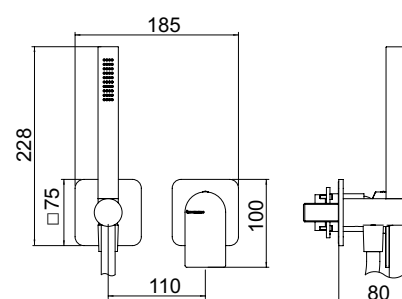
ITRTVT131ZZ 1,5 cm RWIT51ASZZ80 12
 3 cm RWIT51ASZZ85 12
 5 cm RWIT51ASZZ90 12 1,5 M PVC METAL MAX 28 l/min < 8 l/min N° 153 RWIT51D9ZZ50



CC	RWIT 22D4 CC 01	323,00
NN	RWIT 22D4 NN 01	457,00
BB	RWIT 22D4 BB 01	457,00
NL	RWIT 22D4 NL 01	451,00
NF	RWIT 22D4 NF 01	451,00
HH	RWIT 22D4 HH 01	554,00
CZ	RWIT 22D4 CZ 01	554,00
US	RWIT 22D4 US 01	554,00
UZ	RWIT 22D4 UZ 01	554,00
DD	RWIT 22D4 DD 01	711,00
DZ	RWIT 22D4 DZ 01	711,00

Miscelatore monocomando incasso doccia con doccetta
 Concealed shower mixer with hand-shower
 Mitigeur douche à encastrer avec douchette
 Brause EHM UP mit Handbrause

RWIT 51A5 ZZ 01 138,00
 + PARTI INCASSO - CONCEALED BODY
 CORPS À ENCASTRER - UNTERPUTZTEIL



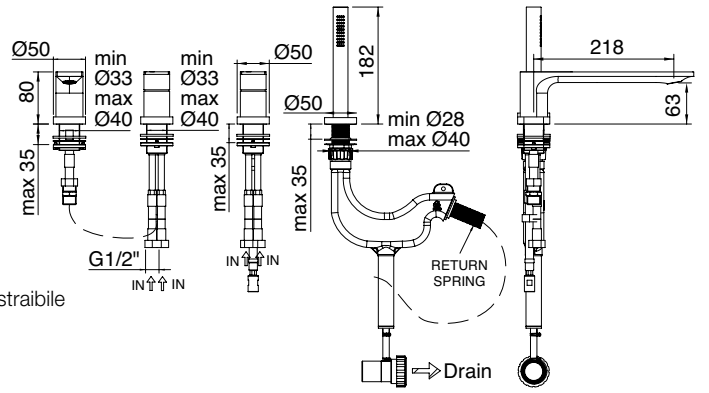
ITRTVT131ZZ 1,5 cm RWIT51ASZZ80 12
 3 cm RWIT51ASZZ85 12
 5 cm RWIT51ASZZ90 12 1,5 M PVC METAL 8 l/min N° 146 RWIT51C5ZZ90

CC	IT 2268 CC RN ZZ	943,00
NN	IT 2268 NN RN ZZ	1.254,00
BB	IT 2268 BB RN ZZ	1.254,00
NL	IT 2268 NL RN ZZ	1.225,00
NF	IT 2268 NF RN ZZ	1.225,00
HH	IT 2268 HH RN ZZ	1.452,00
CZ	IT 2268 CZ RN ZZ	1.452,00
US	IT 2268 US RN ZZ	1.452,00
UZ	IT 2268 UZ RN ZZ	1.452,00
DD	IT 2268 DD RN ZZ	1.960,00
DZ	IT 2268 DZ RN ZZ	1.960,00



Batteria bordo vasca a 4 fori con doccetta estraibile
 4 holes deck-mounted bathtub
 Mitigeur bain/douche 4 trous sur gorge
 Vierloch Wannenrandarmatur

ITRTVT131ZZ ITRTAE154ZZ ITRTAT192ZZ 1,5 M PVC METAL \rightarrow 20 l/min \leftarrow 8 l/min P_831

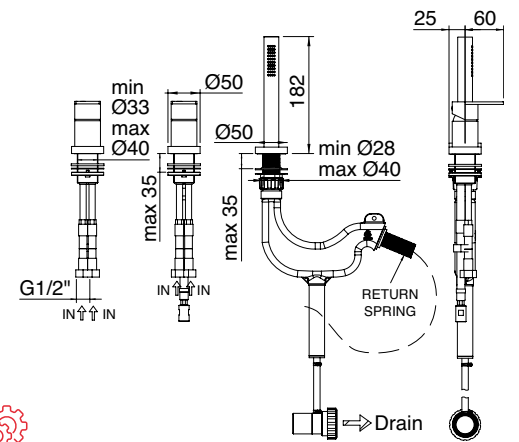


CC	IT 2269 CC RN ZZ	668,00
NN	IT 2269 NN RN ZZ	889,00
BB	IT 2269 BB RN ZZ	889,00
NL	IT 2269 NL RN ZZ	869,00
NF	IT 2269 NF RN ZZ	869,00
HH	IT 2269 HH RN ZZ	1.029,00
CZ	IT 2269 CZ RN ZZ	1.029,00
US	IT 2269 US RN ZZ	1.029,00
UZ	IT 2269 UZ RN ZZ	1.029,00
DD	IT 2269 DD RN ZZ	1.390,00
DZ	IT 2269 DZ RN ZZ	1.390,00



Batteria bordo vasca con doccetta estraibile senza bocca
 Deck-mounted bathtub without spout
 Mitigeur bain/douche sur gorge sans bec
 Wannenrandarmatur ohne Auslauf

ITRTVT131ZZ 1,5 M PVC METAL MAX 24 l/min \leftarrow 8 l/min P_831

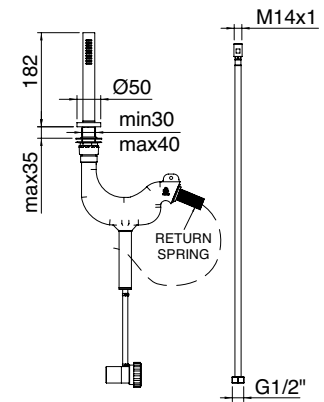


CC	RWIT 2765 CC 25	222,00
NN	RWIT 2765 NN 25	295,00
BB	RWIT 2765 BB 25	295,00
NL	RWIT 2765 NL 25	289,00
NF	RWIT 2765 NF 25	289,00
HH	RWIT 2765 HH 25	341,00
CZ	RWIT 2765 CZ 25	341,00
US	RWIT 2765 US 25	341,00
UZ	RWIT 2765 UZ 25	341,00
DD	RWIT 2765 DD 25	460,00
DZ	RWIT 2765 DZ 25	460,00



Doccetta estraibile bordo vasca
 Deck-mounted retractable handshower
 Douchette extractible sur gorge
 Versenkbare Schlauchbrause

FLEX 1,5 M PVC METAL 8 l/min P_831

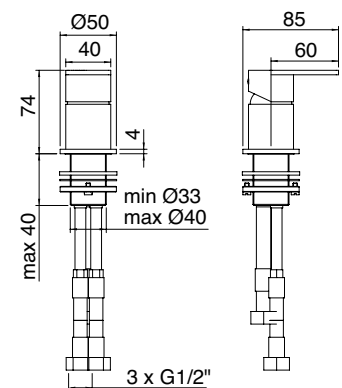


CC	RWIT 2268 CC 10	208,00
NN	RWIT 2268 NN 10	276,00
BB	RWIT 2268 BB 10	276,00
NL	RWIT 2268 NL 10	269,00
NF	RWIT 2268 NF 10	269,00
HH	RWIT 2268 HH 10	319,00
CZ	RWIT 2268 CZ 10	319,00
US	RWIT 2268 US 10	319,00
UZ	RWIT 2268 UZ 10	319,00
DD	RWIT 2268 DD 10	431,00
DZ	RWIT 2268 DZ 10	431,00



Monocomando remoto da piano per vasca
 Deck mounted control mixer
 Mitigeur lavabo seul sur gorge
 Waschtisch Einhebelmischer für separaten Auslauf

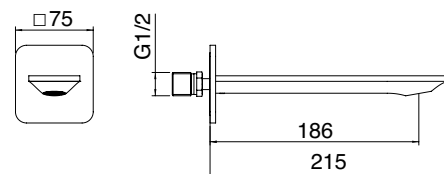
ITRTVT131ZZ 24 l/min





CC	IT 2263 CC ZZ HF	184,00
NN	IT 2263 NN ZZ HF	243,00
BB	IT 2263 BB ZZ HF	243,00
NL	IT 2263 NL ZZ HF	237,00
NF	IT 2263 NF ZZ HF	237,00
HH	IT 2263 HH ZZ HF	281,00
CZ	IT 2263 CZ ZZ HF	281,00
US	IT 2263 US ZZ HF	281,00
UZ	IT 2263 UZ ZZ HF	281,00
DD	IT 2263 DD ZZ HF	379,00
DZ	IT 2263 DZ ZZ HF	379,00

Bocca a muro per vasca 186
Wall-mtd. spout for bathtub 186
Bec mural pour baignoire 186
Wandauslauf für Badewannen 186

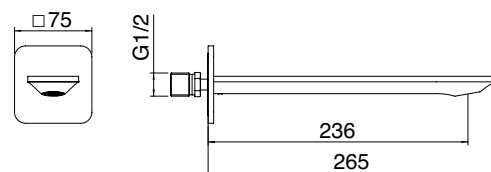


ITRTAE134ZZ ITRTAT120ZZ 18 l/min



CC	IT 2261 CC ZZ HF	201,00
NN	IT 2261 NN ZZ HF	268,00
BB	IT 2261 BB ZZ HF	268,00
NL	IT 2261 NL ZZ HF	262,00
NF	IT 2261 NF ZZ HF	262,00
HH	IT 2261 HH ZZ HF	311,00
CZ	IT 2261 CZ ZZ HF	311,00
US	IT 2261 US ZZ HF	311,00
UZ	IT 2261 UZ ZZ HF	311,00
DD	IT 2261 DD ZZ HF	419,00
DZ	IT 2261 DZ ZZ HF	419,00

Bocca a muro per vasca 236
Wall-mtd. spout for bathtub 236
Bec mural pour baignoire 236
Wandauslauf für Badewannen 236



ITRTAE134ZZ ITRTAT120ZZ 18 l/min

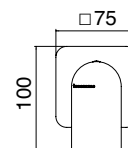


CC	RWIT 2259 CC 80	90,00
NN	RWIT 2259 NN 80	120,00
BB	RWIT 2259 BB 80	120,00
NL	RWIT 2259 NL 80	118,00
NF	RWIT 2259 NF 80	118,00
HH	RWIT 2259 HH 80	139,00
CZ	RWIT 2259 CZ 80	139,00
US	RWIT 2259 US 80	139,00
UZ	RWIT 2259 UZ 80	139,00
DD	RWIT 2259 DD 80	187,00
DZ	RWIT 2259 DZ 80	187,00

Monocomando remoto lavabo/doccia incasso
Concealed washbasin/shower mixer
Mitigeur lavabo/douche à encastrer
UP-Waschtisch/Dusche Mischer

RWIT 5459 CC 70	62,00
RWIT 5459 NN 70	83,00
RWIT 5459 BB 70	83,00
RWIT 5459 NL 70	82,00
RWIT 5459 NF 70	82,00
+ RWIT 5459 HH 70	95,00
RWIT 5459 CZ 70	95,00
RWIT 5459 US 70	95,00
RWIT 5459 UZ 70	95,00
RWIT 5459 DD 70	129,00
RWIT 5459 DZ 70	129,00

PARTI INCASSO - CONCEALED BODY
CORPS À ENCASTRER - UNTERPUTZTEIL



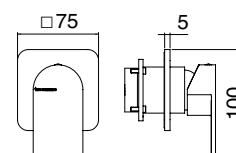
ITRTV131ZZ RWIT5408_60 20 l/min P_801



CC	RWIT 22C8 CC 01	147,00
NN	RWIT 22C8 NN 01	206,00
BB	RWIT 22C8 BB 01	206,00
NL	RWIT 22C8 NL 01	204,00
NF	RWIT 22C8 NF 01	204,00
HH	RWIT 22C8 HH 01	251,00
CZ	RWIT 22C8 CZ 01	251,00
US	RWIT 22C8 US 01	251,00
UZ	RWIT 22C8 UZ 01	251,00
DD	RWIT 22C8 DD 01	322,00
DZ	RWIT 22C8 DZ 01	322,00

Monocomando remoto lavabo/doccia incasso
Concealed washbasin/shower mixer
Mitigeur lavabo/douche à encastrer
UP-Waschtisch/Dusche Mischer

RWIT 51A8 ZZ 03 128,00
 PARTI INCASSO - CONCEALED BODY
CORPS À ENCASTRER - UNTERPUTZTEIL



ITRTV131ZZ 1,5cm RWIT51A5ZZ80 3cm RWIT51A5ZZ85 5cm RWIT51A5ZZ90 28 l/min N° 143 RWIT51A8ZZ90



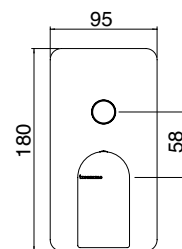
RWIT 22B1 CC 01 + RWIT 2247 CC 01
+ RWIT 2705 CC 74



CC	RWIT 2249 CC 80	103,00	RWIT 5449 CC 70	137,00
NN	RWIT 2249 NN 80	137,00	RWIT 5449 NN 70	183,00
BB	RWIT 2249 BB 80	137,00	RWIT 5449 BB 70	183,00
NL	RWIT 2249 NL 80	134,00	RWIT 5449 NL 70	179,00
NF	RWIT 2249 NF 80	134,00	RWIT 5449 NF 70	179,00
HH	RWIT 2249 HH 80	159,00	RWIT 5449 HH 70	211,00
CZ	RWIT 2249 CZ 80	159,00	RWIT 5449 CZ 70	211,00
US	RWIT 2249 US 80	159,00	RWIT 5449 US 70	211,00
UZ	RWIT 2249 UZ 80	159,00	RWIT 5449 UZ 70	211,00
DD	RWIT 2249 DD 80	215,00	RWIT 5449 DD 70	285,00
DZ	RWIT 2249 DZ 80	215,00	RWIT 5449 DZ 70	285,00

Miscelatore monocomando vasca/doccia incasso
 Concealed bath/shower mixer with diverter
 Mitigeur bain/douche à encastrer avec inverseur
 UP Wanne/Brause Einhebelmischer

PARTI INCASSO - CONCEALED BODY
CORPS À ENCASTRER - UNTERPUTZTEIL

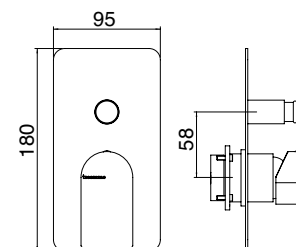


CC	RWIT 22B1 CC 01	160,00	RWIT 51B1 ZZ 03	160,00
NN	RWIT 22B1 NN 01	226,00	PARTI INCASSO - CONCEALED BODY	P_790
BB	RWIT 22B1 BB 01	226,00	CORPS À ENCASTRER - UNTERPUTZTEIL	
NL	RWIT 22B1 NL 01	223,00		
NF	RWIT 22B1 NF 01	223,00		
HH	RWIT 22B1 HH 01	273,00		
CZ	RWIT 22B1 CZ 01	273,00		
US	RWIT 22B1 US 01	273,00		
UZ	RWIT 22B1 UZ 01	273,00		
DD	RWIT 22B1 DD 01	351,00		
DZ	RWIT 22B1 DZ 01	351,00		

Miscelatore monocomando vasca/doccia incasso
 Concealed bath/shower mixer with diverter
 Mitigeur bain/douche à encastrer avec inverseur
 UP Wanne/Brause Einhebelmischer

PARTI INCASSO - CONCEALED BODY
CORPS À ENCASTRER - UNTERPUTZTEIL

UNIVERSAL BOX
ONLY 55mm
P_790

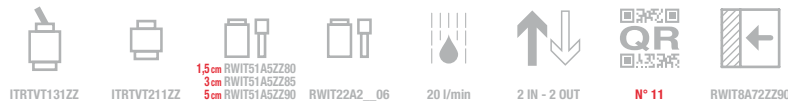
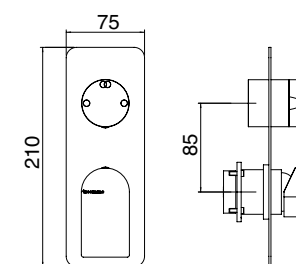


CC	RWIT 22A2 CC 03	295,00	RWIT 22A2 ZZ 01	237,00
NN	RWIT 22A2 NN 03	418,00	PARTI INCASSO - CONCEALED BODY	P_790
BB	RWIT 22A2 BB 03	418,00	CORPS À ENCASTRER - UNTERPUTZTEIL	
NL	RWIT 22A2 NL 03	411,00		
NF	RWIT 22A2 NF 03	411,00		
HH	RWIT 22A2 HH 03	505,00		
CZ	RWIT 22A2 CZ 03	505,00		
US	RWIT 22A2 US 03	505,00		
UZ	RWIT 22A2 UZ 03	505,00		
DD	RWIT 22A2 DD 03	649,00		
DZ	RWIT 22A2 DZ 03	649,00		

Miscelatore monocomando con deviatore 2 uscite
 Concealed mixer with 2 ways diverter
 Mitigeur à encastrer avec inverseur à 2 sorties
 EHM UP mit 2 Wege Umsteller

PARTI INCASSO - CONCEALED BODY
CORPS À ENCASTRER - UNTERPUTZTEIL

UNIVERSAL BOX
ONLY 55mm
P_790



→ ← = **RWIT 22E2** __ 03

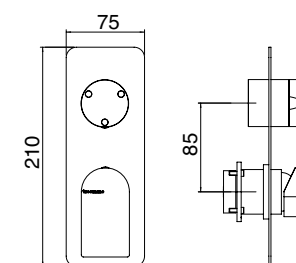


CC	RWIT 22A3 CC 03	316,00	RWIT 22A2 ZZ 01	237,00
NN	RWIT 22A3 NN 03	448,00	PARTI INCASSO - CONCEALED BODY	P_790
BB	RWIT 22A3 BB 03	448,00	CORPS À ENCASTRER - UNTERPUTZTEIL	
NL	RWIT 22A3 NL 03	441,00		
NF	RWIT 22A3 NF 03	441,00		
HH	RWIT 22A3 HH 03	542,00		
CZ	RWIT 22A3 CZ 03	542,00		
US	RWIT 22A3 US 03	542,00		
UZ	RWIT 22A3 UZ 03	542,00		
DD	RWIT 22A3 DD 03	696,00		
DZ	RWIT 22A3 DZ 03	696,00		

Miscelatore monocomando con deviatore 3 uscite
 Concealed mixer with 3 ways diverter
 Mitigeur à encastrer avec inverseur à 3 sorties
 EHM UP mit 3 Wege Umsteller

PARTI INCASSO - CONCEALED BODY
CORPS À ENCASTRER - UNTERPUTZTEIL

UNIVERSAL BOX
ONLY 55mm
P_790



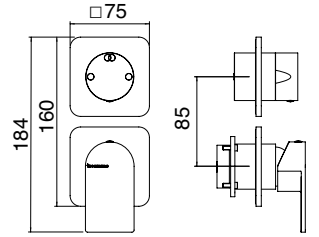
→ ← = **RWIT 22E3** __ 03

Ran



CC	RWIT 22C2 CC 01	319,00
NN	RWIT 22C2 NN 01	452,00
BB	RWIT 22C2 BB 01	452,00
NL	RWIT 22C2 NL 01	445,00
NF	RWIT 22C2 NF 01	445,00
HH	RWIT 22C2 HH 01	547,00
CZ	RWIT 22C2 CZ 01	547,00
US	RWIT 22C2 US 01	547,00
UZ	RWIT 22C2 UZ 01	547,00
DD	RWIT 22C2 DD 01	703,00
DZ	RWIT 22C2 DZ 01	703,00

RWIT 22A2 ZZ 01 237,00
 + PARTI INCASSO - CONCEALED BODY
 CORPS À ENCASTRER - UNTERPUTZTEIL

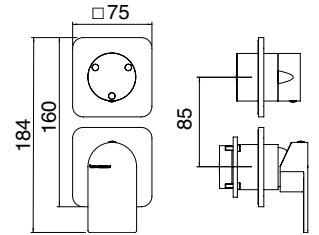


Miscelatore monocomando con deviatore 2 uscite
 Concealed mixer with 2 ways diverter
 Mitigeur à encastrer avec inverseur à 2 sorties
 EHM UP mit 2 Wege Umsteller



CC	RWIT 22C3 CC 01	343,00
NN	RWIT 22C3 NN 01	487,00
BB	RWIT 22C3 BB 01	487,00
NL	RWIT 22C3 NL 01	480,00
NF	RWIT 22C3 NF 01	480,00
HH	RWIT 22C3 HH 01	590,00
CZ	RWIT 22C3 CZ 01	590,00
US	RWIT 22C3 US 01	590,00
UZ	RWIT 22C3 UZ 01	590,00
DD	RWIT 22C3 DD 01	758,00
DZ	RWIT 22C3 DZ 01	758,00

RWIT 22A2 ZZ 01 237,00
 + PARTI INCASSO - CONCEALED BODY
 CORPS À ENCASTRER - UNTERPUTZTEIL



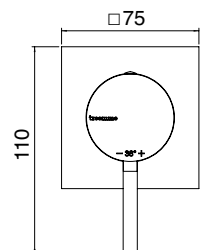
Miscelatore monocomando con deviatore 3 uscite
 Concealed mixer with 3 ways diverter
 Mitigeur à encastrer avec inverseur à 3 sorties
 EHM UP mit 3 Wege Umsteller



CC	RWIT 7582 CC 04	176,00
NN	RWIT 7582 NN 04	234,00
BB	RWIT 7582 BB 04	234,00
NL	RWIT 7582 NL 04	228,00
NF	RWIT 7582 NF 04	228,00
HH	RWIT 7582 HH 04	270,00
CZ	RWIT 7582 CZ 04	270,00
US	RWIT 7582 US 04	270,00
UZ	RWIT 7582 UZ 04	270,00
DD	RWIT 7582 DD 04	365,00
DZ	RWIT 7582 DZ 04	365,00

RWIT 7582 CC 02 142,00
RWIT 7582 NN 02 189,00
RWIT 7582 BB 02 189,00
RWIT 7582 NL 02 185,00
RWIT 7582 NF 02 185,00
RWIT 7582 HH 02 219,00
RWIT 7582 CZ 02 219,00
RWIT 7582 US 02 219,00
RWIT 7582 UZ 02 219,00
RWIT 7582 DD 02 295,00
RWIT 7582 DZ 02 295,00

+ PARTI INCASSO - CONCEALED BODY
 CORPS À ENCASTRER - UNTERPUTZTEIL



Termostatico incasso COAX
 Concealed thermostatic COAX
 Thermostatique à encastrer COAX
 UP-Thermostat COAX



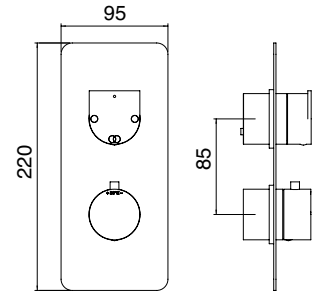


RWIT 22A2 DD 03 + RWIT 2247 DD 01 +
IT 6529 DD ZZ ZZ + IT RTGA 123 DD



CC	RWIT 8A46 CC 05	250,00
NN	RWIT 8A46 NN 05	355,00
BB	RWIT 8A46 BB 05	355,00
NL	RWIT 8A46 NL 05	350,00
NF	RWIT 8A46 NF 05	350,00
HH	RWIT 8A46 HH 05	430,00
CZ	RWIT 8A46 CZ 05	430,00
US	RWIT 8A46 US 05	430,00
UZ	RWIT 8A46 UZ 05	430,00
DD	RWIT 8A46 DD 05	552,00
DZ	RWIT 8A46 DZ 05	552,00

RWIT 8A46 ZZ 20 309,00
 + PARTI INCASSO - CONCEALED BODY
 CORPS À ENCASTRER - UNTERPUTZTEIL

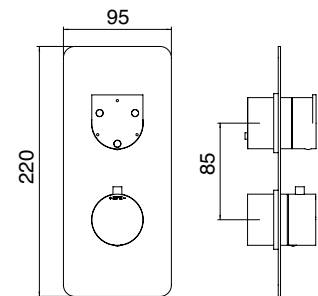


Termostatico incasso con deviatore 2 uscite
 Concealed thermostatic with 2 ways diverter
 Thermostatique à encastrer avec inverseur à 2 sorties
 UP-Thermostat mit 2 Wege Umsteller



CC	RWIT 8A72 CC 05	295,00
NN	RWIT 8A72 NN 05	420,00
BB	RWIT 8A72 BB 05	420,00
NL	RWIT 8A72 NL 05	414,00
NF	RWIT 8A72 NF 05	414,00
HH	RWIT 8A72 HH 05	507,00
CZ	RWIT 8A72 CZ 05	507,00
US	RWIT 8A72 US 05	507,00
UZ	RWIT 8A72 UZ 05	507,00
DD	RWIT 8A72 DD 05	652,00
DZ	RWIT 8A72 DZ 05	652,00

RWIT 8A46 ZZ 20 309,00
 + PARTI INCASSO - CONCEALED BODY
 CORPS À ENCASTRER - UNTERPUTZTEIL

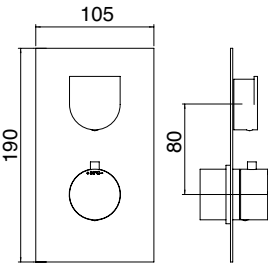


Termostatico incasso con deviatore 3 uscite
 Concealed thermostatic with 3 ways diverter
 Thermostatique à encastrer avec inverseur à 3 sorties
 UP-Thermostat mit 3 Wege Umsteller



CC	RWIT 7287 CC 42	222,00
NN	RWIT 7287 NN 42	316,00
BB	RWIT 7287 BB 42	316,00
NL	RWIT 7287 NL 42	311,00
NF	RWIT 7287 NF 42	311,00
HH	RWIT 7287 HH 42	382,00
CZ	RWIT 7287 CZ 42	382,00
US	RWIT 7287 US 42	382,00
UZ	RWIT 7287 UZ 42	382,00
DD	RWIT 7287 DD 42	491,00
DZ	RWIT 7287 DZ 42	491,00

RWIT 7287 ZZ 30 458,00
 + PARTI INCASSO - CONCEALED BODY
 CORPS À ENCASTRER - UNTERPUTZTEIL

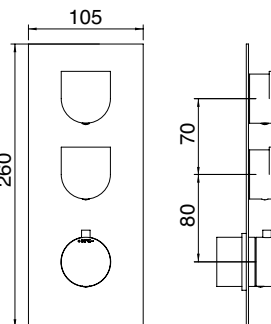


Termostatico incasso 1 uscita
 1 way concealed thermostatic
 Thermostatique à encastrer avec 1 sortie
 UP-Thermostat mit 1 Weg

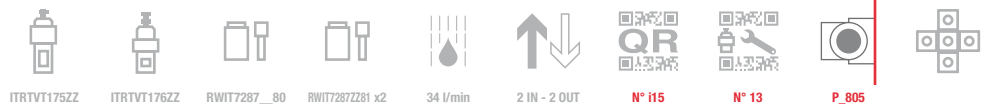


CC	RWIT 7286 CC 53	346,00
NN	RWIT 7286 NN 53	491,00
BB	RWIT 7286 BB 53	491,00
NL	RWIT 7286 NL 53	484,00
NF	RWIT 7286 NF 53	484,00
HH	RWIT 7286 HH 53	595,00
CZ	RWIT 7286 CZ 53	595,00
US	RWIT 7286 US 53	595,00
UZ	RWIT 7286 UZ 53	595,00
DD	RWIT 7286 DD 53	764,00
DZ	RWIT 7286 DZ 53	764,00

RWIT 7286 ZZ 30 680,00
 + PARTI INCASSO - CONCEALED BODY
 CORPS À ENCASTRER - UNTERPUTZTEIL



Termostatico incasso 2 uscite
 2 ways concealed thermostatic
 Thermostatique à encastrer avec 2 sorties
 UP-Thermostat mit 2 Wege

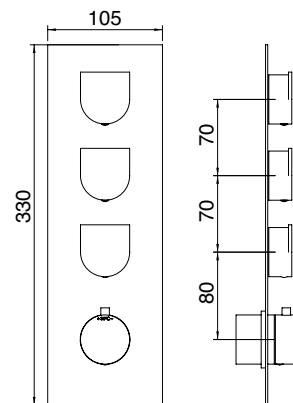




CC	RWIT 7294 CC 54	469,00
NN	RWIT 7294 NN 54	667,00
BB	RWIT 7294 BB 54	667,00
NL	RWIT 7294 NL 54	657,00
NF	RWIT 7294 NF 54	657,00
HH	RWIT 7294 HH 54	807,00
CZ	RWIT 7294 CZ 54	807,00
US	RWIT 7294 US 54	807,00
UZ	RWIT 7294 UZ 54	807,00
DD	RWIT 7294 DD 54	1.037,00
DZ	RWIT 7294 DZ 54	1.037,00

Termostatico incasso 3 uscite
3 ways concealed thermostatic
Thermostatique à encastrer avec 3 sorties
UP-Thermostat mit 3 Wege

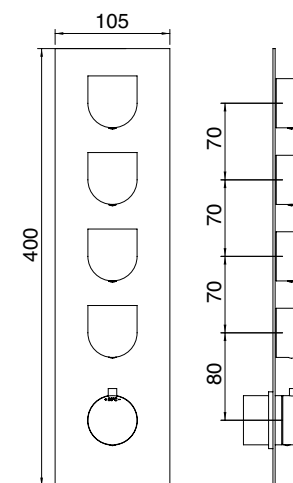
RWIT 7294 ZZ 30 855,00
+  PARTI INCASSO - CONCEALED BODY
CORPS À ENCASTRER - UNTERPUTZTEIL



CC	RWIT 7297 CC 40	577,00
NN	RWIT 7297 NN 40	820,00
BB	RWIT 7297 BB 40	820,00
NL	RWIT 7297 NL 40	808,00
NF	RWIT 7297 NF 40	808,00
HH	RWIT 7297 HH 40	993,00
CZ	RWIT 7297 CZ 40	993,00
US	RWIT 7297 US 40	993,00
UZ	RWIT 7297 UZ 40	993,00
DD	RWIT 7297 DD 40	1.276,00
DZ	RWIT 7297 DZ 40	1.276,00

Termostatico incasso 4 uscite
4 ways concealed thermostatic
Thermostatique à encastrer avec 4 sorties
UP-Thermostat mit 4 Wege

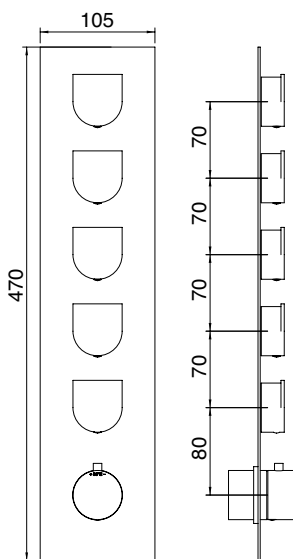
RWIT 7297 ZZ 30 1.030,00
+  PARTI INCASSO - CONCEALED BODY
CORPS À ENCASTRER - UNTERPUTZTEIL



CC	RWIT 7298 CC 40	685,00
NN	RWIT 7298 NN 40	974,00
BB	RWIT 7298 BB 40	974,00
NL	RWIT 7298 NL 40	959,00
NF	RWIT 7298 NF 40	959,00
HH	RWIT 7298 HH 40	1.179,00
CZ	RWIT 7298 CZ 40	1.179,00
US	RWIT 7298 US 40	1.179,00
UZ	RWIT 7298 UZ 40	1.179,00
DD	RWIT 7298 DD 40	1.515,00
DZ	RWIT 7298 DZ 40	1.515,00

Termostatico incasso 5 uscite
5 ways concealed thermostatic
Thermostatique à encastrer avec 5 sorties
UP-Thermostat mit 5 Wege

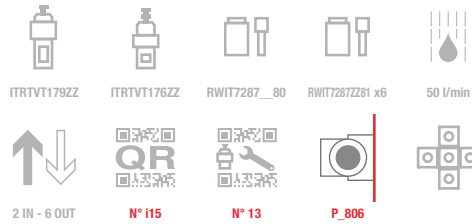
RWIT 7298 ZZ 30 1.205,00
+  PARTI INCASSO - CONCEALED BODY
CORPS À ENCASTRER - UNTERPUTZTEIL



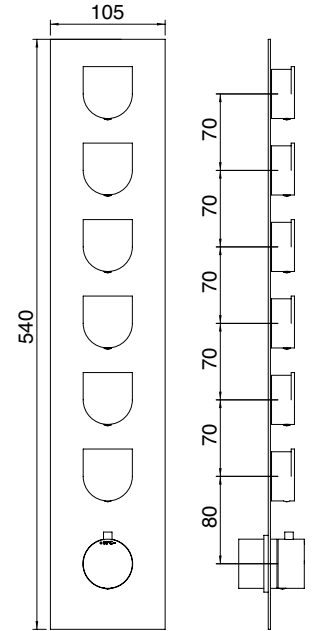


CC	RWIT 7264 CC 40	794,00
NN	RWIT 7264 NN 40	1.127,00
BB	RWIT 7264 BB 40	1.127,00
NL	RWIT 7264 NL 40	1.111,00
NF	RWIT 7264 NF 40	1.111,00
HH	RWIT 7264 HH 40	1.365,00
CZ	RWIT 7264 CZ 40	1.365,00
US	RWIT 7264 US 40	1.365,00
UZ	RWIT 7264 UZ 40	1.365,00
DD	RWIT 7264 DD 40	1.754,00
DZ	RWIT 7264 DZ 40	1.754,00

Termostatico incasso 6 uscite
6 ways concealed thermostatic
Thermostatique à encastrer avec 6 sorties
UP-Thermostat mit 6 Wege

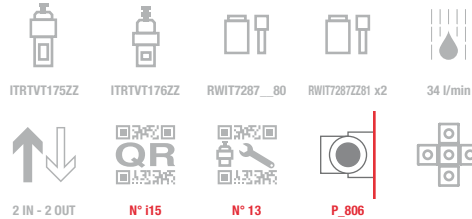


RWIT 7264 ZZ 30 1.380,00
+ PARTI INCASSO - CONCEALED BODY
CORPS À ENCASTRER - UNTERPUTZTEIL

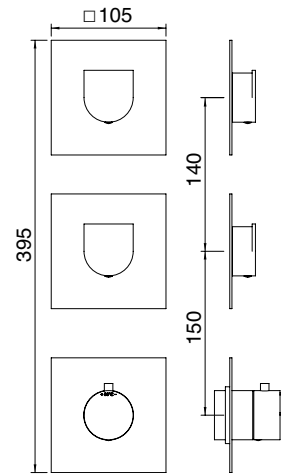


CC	RWIT 7274 CC 54	391,00
NN	RWIT 7274 NN 54	556,00
BB	RWIT 7274 BB 54	556,00
NL	RWIT 7274 NL 54	547,00
NF	RWIT 7274 NF 54	547,00
HH	RWIT 7274 HH 54	672,00
CZ	RWIT 7274 CZ 54	672,00
US	RWIT 7274 US 54	672,00
UZ	RWIT 7274 UZ 54	672,00
DD	RWIT 7274 DD 54	864,00
DZ	RWIT 7274 DZ 54	864,00

Termostatico incasso 2 uscite
2 ways concealed thermostatic
Thermostatique à encastrer avec 2 sorties
UP-Thermostat mit 2 Wege

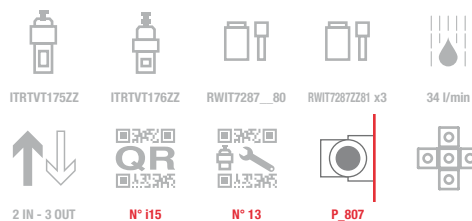


RWIT 7274 ZZ 40 762,00
+ PARTI INCASSO - CONCEALED BODY
CORPS À ENCASTRER - UNTERPUTZTEIL

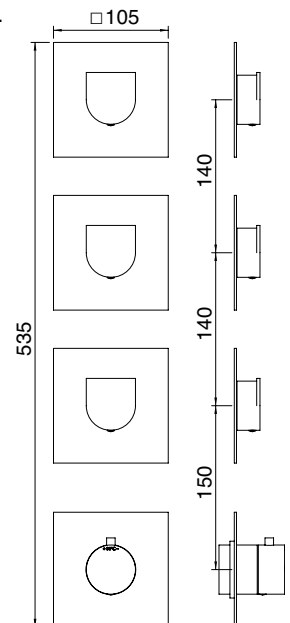


CC	RWIT 7275 CC 55	536,00
NN	RWIT 7275 NN 55	762,00
BB	RWIT 7275 BB 55	762,00
NL	RWIT 7275 NL 55	750,00
NF	RWIT 7275 NF 55	750,00
HH	RWIT 7275 HH 55	922,00
CZ	RWIT 7275 CZ 55	922,00
US	RWIT 7275 US 55	922,00
UZ	RWIT 7275 UZ 55	922,00
DD	RWIT 7275 DD 55	1.185,00
DZ	RWIT 7275 DZ 55	1.185,00

Termostatico incasso 3 uscite
3 ways concealed thermostatic
Thermostatique à encastrer avec 3 sorties
UP-Thermostat mit 3 Wege



RWIT 7275 ZZ 40 937,00
+ PARTI INCASSO - CONCEALED BODY
CORPS À ENCASTRER - UNTERPUTZTEIL



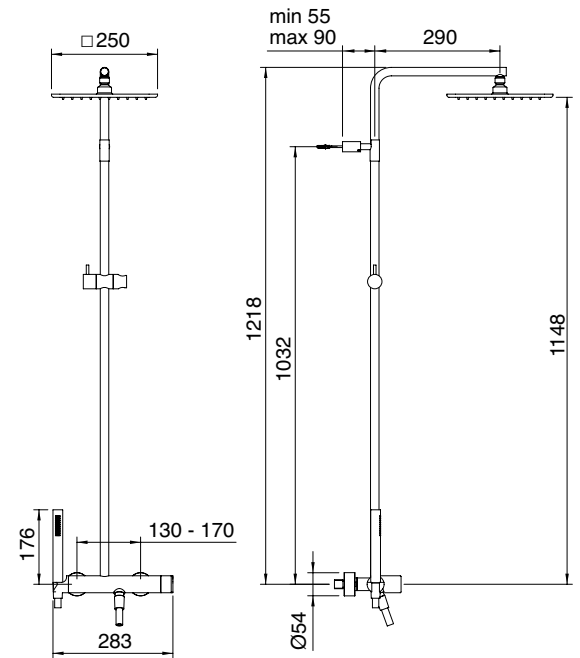






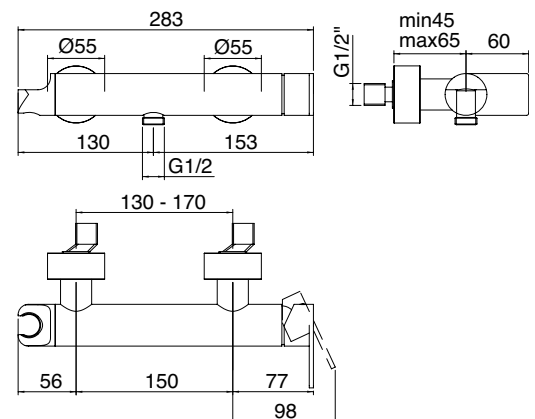
CC	IT 2260 CC RN ZZ	819,00
NN	IT 2260 NN RN ZZ	1.089,00
BB	IT 2260 BB RN ZZ	1.089,00
NL	IT 2260 NL RN ZZ	1.064,00
NF	IT 2260 NF RN ZZ	1.064,00
HH	IT 2260 HH RN ZZ	1.260,00
CZ	IT 2260 CZ RN ZZ	1.260,00
US	IT 2260 US RN ZZ	1.260,00
UZ	IT 2260 UZ RN ZZ	1.260,00
DD	IT 2260 DD RN ZZ	1.703,00
DZ	IT 2260 DZ RN ZZ	1.703,00

Gruppo doccia con doccetta e soffione anticalcare
 Wall-mtd. shower set, anti-limescale
 hand-shower and shower head
 Mitigeur douche mural, douchette et tête
 de douche anticalcaire
 Regenbrause-Set, Antikalk Handbrause
 und Kopfbrause



CC	IT 2256 CC RN ZZ	302,00
NN	IT 2256 NN RN ZZ	402,00
BB	IT 2256 BB RN ZZ	402,00
NL	IT 2256 NL RN ZZ	393,00
NF	IT 2256 NF RN ZZ	393,00
HH	IT 2256 HH RN ZZ	465,00
CZ	IT 2256 CZ RN ZZ	465,00
US	IT 2256 US RN ZZ	465,00
UZ	IT 2256 UZ RN ZZ	465,00
DD	IT 2256 DD RN ZZ	627,00
DZ	IT 2256 DZ RN ZZ	627,00

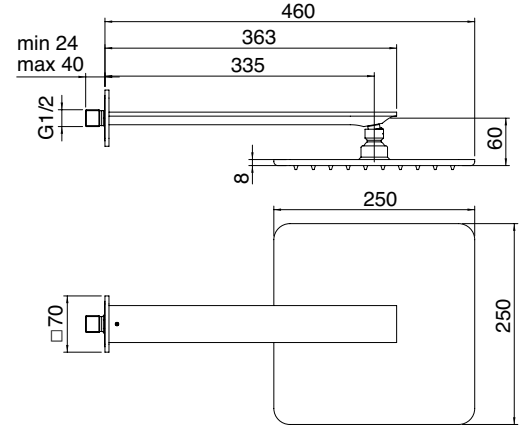
Miscelatore monocomando esterno doccia
 Wall-mtd. shower mixer
 Mitigeur douche mural
 AP-Brause-Einhandbatterie





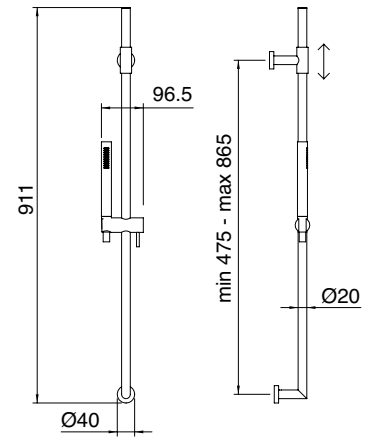
CC	RWIT 2247 CC 01	431,00
NN*	RWIT 2247 NN 01	572,00
BB*	RWIT 2247 BB 01	572,00
NL*	RWIT 2247 NL 01	559,00
NF*	RWIT 2247 NF 01	559,00
HH*	RWIT 2247 HH 01	662,00
CZ*	RWIT 2247 CZ 01	662,00
US#	RWIT 2247 US 01	662,00
UZ#	RWIT 2247 UZ 01	662,00
DD*	RWIT 2247 DD 01	894,00
DZ*	RWIT 2247 DZ 01	894,00

Soffione a parete anticalcare
 Anti-limescale shower-head
 Douche de tête anticalcaire avec bras mural
 Antikalk Kopfbrause mit Arm



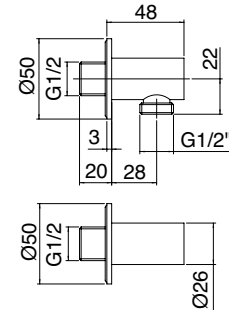
CC	IT 6529 CC ZZ ZZ	223,00
NN	IT 6529 NN ZZ ZZ	319,00
BB	IT 6529 BB ZZ ZZ	319,00
NL	IT 6529 NL ZZ ZZ	315,00
NF	IT 6529 NF ZZ ZZ	315,00
HH	IT 6529 HH ZZ ZZ	343,00
CZ	IT 6529 CZ ZZ ZZ	343,00
US	IT 6529 US ZZ ZZ	343,00
UZ	IT 6529 UZ ZZ ZZ	343,00
DD	IT 6529 DD ZZ ZZ	446,00
DZ	IT 6529 DZ ZZ ZZ	463,00

Kit saliscendi senza presa acqua
 Sliding-bar kit without wall hose outlet
 Barre coulissante sans coude mural
 Gleitstange ohne Wandanschlussbogen



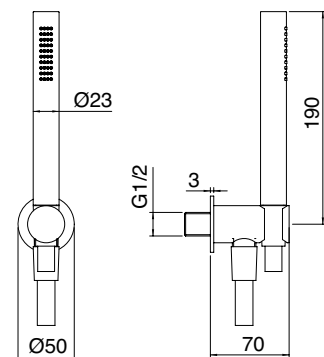
CC	IT RTGA 123 CC	25,00
NN	IT RTGA 123 NN	39,00
BB	IT RTGA 123 BB	39,00
NL	IT RTGA 123 NL	49,00
NF	IT RTGA 123 NF	49,00
HH	IT RTGA 123 HH	27,00
CZ	IT RTGA 123 CZ	27,00
US	IT RTGA 123 US	27,00
UZ	IT RTGA 123 UZ	27,00
DD	IT RTGA 123 DD	34,00
DZ	IT RTGA 123 DZ	38,00

Presa acqua a muro
 Wall hose outlet
 Coude mural
 Wandanschlussbogen



CC	RWIT 2705 CC 74	123,00
NN	RWIT 2705 NN 74	189,00
BB	RWIT 2705 BB 74	189,00
NL	RWIT 2705 NL 74	184,00
NF	RWIT 2705 NF 74	184,00
HH	RWIT 2705 HH 74	189,00
CZ	RWIT 2705 CZ 74	189,00
US	RWIT 2705 US 74	189,00
UZ	RWIT 2705 UZ 74	189,00
DD	RWIT 2705 DD 74	257,00
DZ	RWIT 2705 DZ 74	255,00

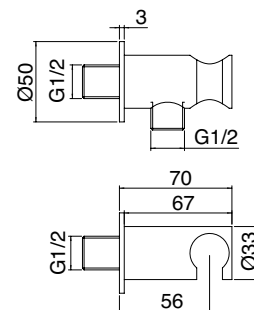
Kit gancio, flessibile, doccia
 Hook, flexible and hand shower kit
 Kit support, flexible et douche
 Brausehalter, Schlauch und Handbrause





CC	IT RTGA 122 CC	55,00
NN	IT RTGA 122 NN	73,00
BB	IT RTGA 122 BB	73,00
NL	IT RTGA 122 NL	76,00
NF	IT RTGA 122 NF	76,00
HH	IT RTGA 122 HH	84,00
CZ	IT RTGA 122 CZ	84,00
US	IT RTGA 122 US	84,00
UZ	IT RTGA 122 UZ	84,00
DD	IT RTGA 122 DD	105,00
DZ	IT RTGA 122 DZ	113,00

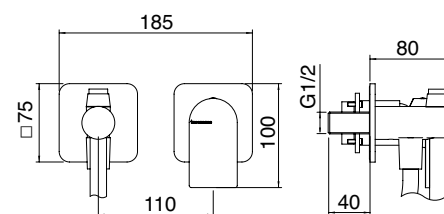
Presacqua con gancio fisso
Hand-shower hook with wall hose outlet
Support pour douchette fixe avec coude mural
Brausehalter mit Wandanschlussbogen



CC	RWIT 22D4 CC 02	299,00
NN	RWIT 22D4 NN 02	424,00
BB	RWIT 22D4 BB 02	424,00
NL	RWIT 22D4 NL 02	418,00
NF	RWIT 22D4 NF 02	418,00
HH	RWIT 22D4 HH 02	513,00
CZ	RWIT 22D4 CZ 02	513,00
US	RWIT 22D4 US 02	513,00
UZ	RWIT 22D4 UZ 02	513,00
DD	RWIT 22D4 DD 02	659,00
DZ	RWIT 22D4 DZ 02	659,00

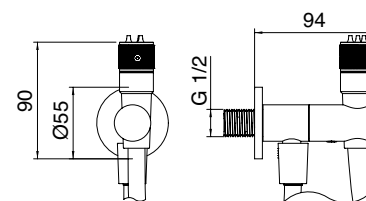
Miscelatore incasso con doccia per WC
Concealed mixer with wc hand shower
Mitigeur à encastrer avec douchette WC
U-P Mischer mit WC Handbrause

RWIT 51A5 ZZ 01 138,00
+ PARTI INCASSO - CONCEALED BODY
CORPS À ENCASTRER - UNTERPUTZTEIL

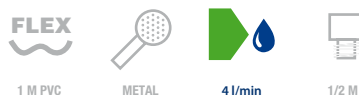
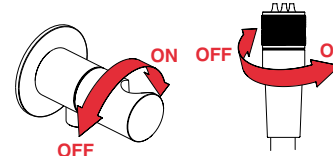


CC	RWIT 6565 CC 05	273,00
NN	RWIT 6565 NN 05	364,00
BB	RWIT 6565 BB 05	364,00
NL	RWIT 6565 NL 05	356,00
NF	RWIT 6565 NF 05	356,00
HH	RWIT 6565 HH 05	422,00
CZ	RWIT 6565 CZ 05	422,00
US	RWIT 6565 US 05	422,00
UZ	RWIT 6565 UZ 05	422,00
DD	RWIT 6565 DD 05	569,00
DZ	RWIT 6565 DZ 05	569,00

Idroscopino per WC
WC hand shower set
Douchette pour WC
Handbrause Set für WC

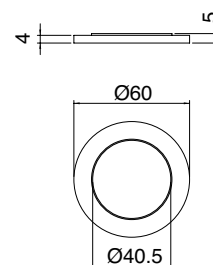


INSTRUCTION FOR USE



CC	RWIT 1210 CC 01	18,00
NN	RWIT 1210 NN 01	23,00
BB	RWIT 1210 BB 01	23,00
NL	RWIT 1210 NL 01	22,00
NF	RWIT 1210 NF 01	22,00
HH	RWIT 1210 HH 01	26,00
CZ	RWIT 1210 CZ 01	26,00
US	RWIT 1210 US 01	26,00
UZ	RWIT 1210 UZ 01	26,00
DD	RWIT 1210 DD 01	34,00
DZ	RWIT 1210 DZ 01	34,00

Flangia per lavabo / bidet
Flange for washbasin / bidet
Rosace pour lavabo / bidet
Sockel für Waschtischmischer / Bidetmischer



Per ulteriori composizioni doccia vedi sezione SHOWERS & THERMOSTATICS
For other shower fittings check the SHOWERS & THERMOSTATICS section
Pour d'autres solutions douche voir section SHOWERS & THERMOSTATICS
Für weitere duschaustattungen siehe abschnitt SHOWERS & THERMOSTATICS

Hask

design by danilo fedeli

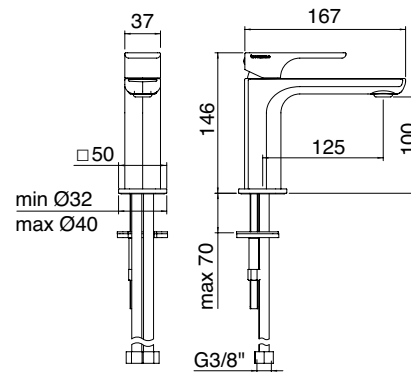
- chrome **CC**
- matt black **NN**
- matt white **BB**
- polished nickel **NL**
- brushed nickel **NF**
- polished black chrome **HH**
- brushed black chrome **CZ**
- brushed bronze **US**
- brushed brass **UZ**
- oxidized **KK**
- brushed gold **DZ**
- brushed rose gold **SZ**





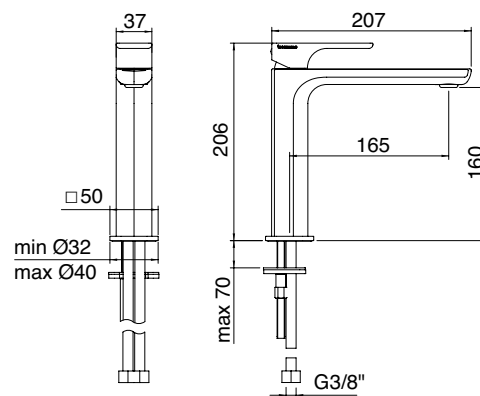
CC	IT 6A11 CC HA ZZ	165,00
NN	IT 6A11 NN HA ZZ	220,00
BB	IT 6A11 BB HA ZZ	220,00
NL	IT 6A11 NL HA ZZ	215,00
NF	IT 6A11 NF HA ZZ	215,00
KK	IT 6A11 KK HA ZZ	254,00
CZ	IT 6A11 CZ HA ZZ	254,00
HH	IT 6A11 HH HA ZZ	254,00
US	IT 6A11 US HA ZZ	254,00
UZ	IT 6A11 UZ HA ZZ	254,00
DZ	IT 6A11 DZ HA ZZ	342,00
SZ	IT 6A11 SZ HA ZZ	342,00

Miscelatore monocomando lavabo 100
 Washbasin mixer 100
 Mitigeur lavabo 100
 Einhand-Waschtischmischer 100



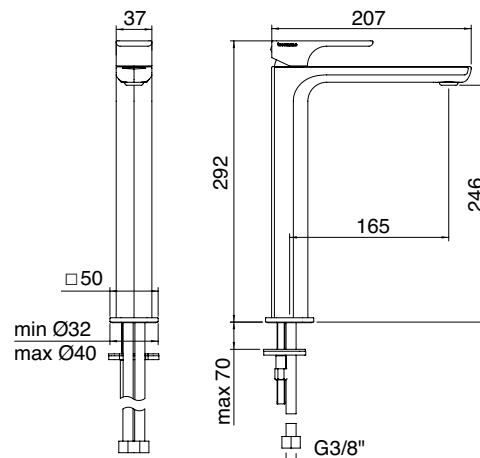
CC	IT 6A27 CC HA ZZ	233,00
NN	IT 6A27 NN HA ZZ	311,00
BB	IT 6A27 BB HA ZZ	311,00
NL	IT 6A27 NL HA ZZ	303,00
NF	IT 6A27 NF HA ZZ	303,00
KK	IT 6A27 KK HA ZZ	359,00
CZ	IT 6A27 CZ HA ZZ	359,00
HH	IT 6A27 HH HA ZZ	359,00
US	IT 6A27 US HA ZZ	359,00
UZ	IT 6A27 UZ HA ZZ	359,00
DZ	IT 6A27 DZ HA ZZ	485,00
SZ	IT 6A27 SZ HA ZZ	485,00

Miscelatore monocomando lavabo 160
 Washbasin mixer 160
 Mitigeur lavabo 160
 Einhand-Waschtischmischer 160



CC	IT 6A18 CC HA ZZ	294,00
NN	IT 6A18 NN HA ZZ	391,00
BB	IT 6A18 BB HA ZZ	391,00
NL	IT 6A18 NL HA ZZ	382,00
NF	IT 6A18 NF HA ZZ	382,00
KK	IT 6A18 KK HA ZZ	453,00
CZ	IT 6A18 CZ HA ZZ	453,00
HH	IT 6A18 HH HA ZZ	453,00
US	IT 6A18 US HA ZZ	453,00
UZ	IT 6A18 UZ HA ZZ	453,00
DZ	IT 6A18 DZ HA ZZ	610,00
SZ	IT 6A18 SZ HA ZZ	610,00

Miscelatore monocomando lavabo 246
 Washbasin mixer 246
 Mitigeur lavabo 246
 Einhand-Waschtischmischer 246







NF
brushed nickel

NN
matt black

DUZ
brushed brass



CC
chrome

HH
polished black chrome

RAN

HASK



IT 6A18 CC HA ZZ



CC	RWIT 6AA5 CC BC	258,00
NN	RWIT 6AA5 NN BC	366,00
BB	RWIT 6AA5 BB BC	366,00
NL	RWIT 6AA5 NL BC	361,00
NF	RWIT 6AA5 NF BC	361,00
KK	RWIT 6AA5 KK BC	443,00
CZ	RWIT 6AA5 CZ BC	443,00
HH	RWIT 6AA5 HH BC	443,00
US	RWIT 6AA5 US BC	443,00
UZ	RWIT 6AA5 UZ BC	443,00
DZ	RWIT 6AA5 DZ BC	570,00
SZ	RWIT 6AA5 SZ BC	570,00

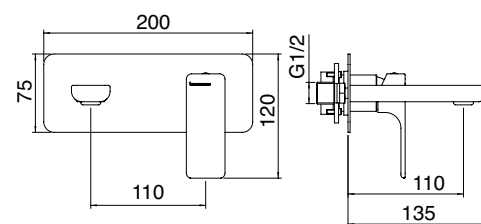
Miscelatore monocomando lavabo incasso 110
 Concealed washbasin mixer 110
 Mitigeur lavabo à encastrer 110
 UP-Einhand-Waschtischmischer 110



RWIT 51A5 ZZ 01 138,00
 + PARTI INCASO - CONCEALED BODY
 CORPS À ENCASTRER - UNTERPUTZTEIL



P_790



CC	RWIT 6AA5 CC 03	263,00
NN	RWIT 6AA5 NN 03	374,00
BB	RWIT 6AA5 BB 03	374,00
NL	RWIT 6AA5 NL 03	368,00
NF	RWIT 6AA5 NF 03	368,00
KK	RWIT 6AA5 KK 03	453,00
CZ	RWIT 6AA5 CZ 03	453,00
HH	RWIT 6AA5 HH 03	453,00
US	RWIT 6AA5 US 03	453,00
UZ	RWIT 6AA5 UZ 03	453,00
DZ	RWIT 6AA5 DZ 03	581,00
SZ	RWIT 6AA5 SZ 03	581,00

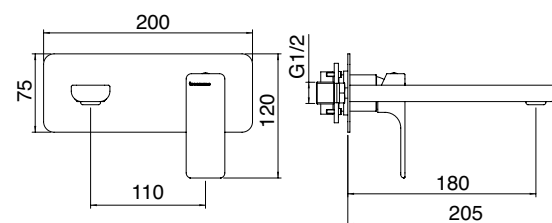
Miscelatore monocomando lavabo incasso 180
 Concealed washbasin mixer 180
 Mitigeur lavabo à encastrer 180
 UP-Einhand-Waschtischmischer 180



RWIT 51A5 ZZ 01 138,00
 + PARTI INCASO - CONCEALED BODY
 CORPS À ENCASTRER - UNTERPUTZTEIL



P_790



CC	RWIT 6AA6 CC 03	284,00
NN	RWIT 6AA6 NN 03	403,00
BB	RWIT 6AA6 BB 03	403,00
NL	RWIT 6AA6 NL 03	397,00
NF	RWIT 6AA6 NF 03	397,00
KK	RWIT 6AA6 KK 03	488,00
CZ	RWIT 6AA6 CZ 03	488,00
HH	RWIT 6AA6 HH 03	488,00
US	RWIT 6AA6 US 03	488,00
UZ	RWIT 6AA6 UZ 03	488,00
DZ	RWIT 6AA6 DZ 03	627,00
SZ	RWIT 6AA6 SZ 03	627,00

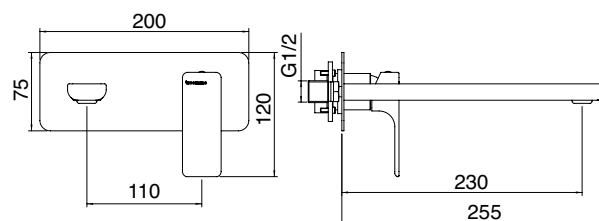
Miscelatore monocomando lavabo incasso 230
 Concealed washbasin mixer 230
 Mitigeur lavabo à encastrer 230
 UP-Einhand-Waschtischmischer 230



RWIT 51A5 ZZ 01 138,00
 + PARTI INCASO - CONCEALED BODY
 CORPS À ENCASTRER - UNTERPUTZTEIL

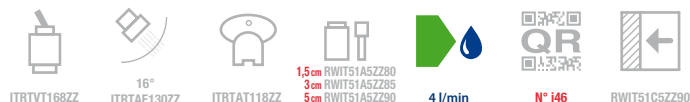


P_790



CC	RWIT 6AC5 CC BC	285,00
NN	RWIT 6AC5 NN BC	404,00
BB	RWIT 6AC5 BB BC	404,00
NL	RWIT 6AC5 NL BC	399,00
NF	RWIT 6AC5 NF BC	399,00
KK	RWIT 6AC5 KK BC	490,00
CZ	RWIT 6AC5 CZ BC	490,00
HH	RWIT 6AC5 HH BC	490,00
US	RWIT 6AC5 US BC	490,00
UZ	RWIT 6AC5 UZ BC	490,00
DZ	RWIT 6AC5 DZ BC	629,00
SZ	RWIT 6AC5 SZ BC	629,00

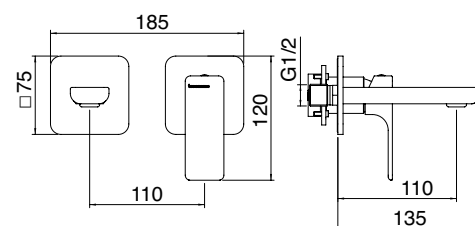
Miscelatore monocomando lavabo incasso 110
 Concealed washbasin mixer 110
 Mitigeur lavabo à encastrer 110
 UP-Einhand-Waschtischmischer 110



RWIT 51A5 ZZ 01 138,00
 + PARTI INCASO - CONCEALED BODY
 CORPS À ENCASTRER - UNTERPUTZTEIL



P_790

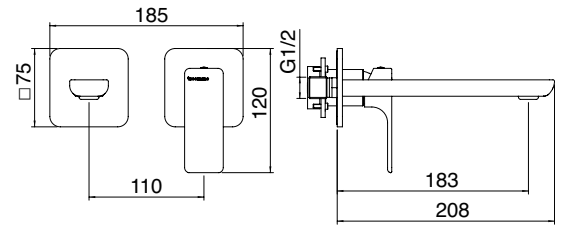




CC	RWIT 6AC5 CC 03	290,00
NN	RWIT 6AC5 NN 03	411,00
BB	RWIT 6AC5 BB 03	411,00
NL	RWIT 6AC5 NL 03	405,00
NF	RWIT 6AC5 NF 03	405,00
KK	RWIT 6AC5 KK 03	498,00
CZ	RWIT 6AC5 CZ 03	498,00
HH	RWIT 6AC5 HH 03	498,00
US	RWIT 6AC5 US 03	498,00
UZ	RWIT 6AC5 UZ 03	498,00
DZ	RWIT 6AC5 DZ 03	639,00
SZ	RWIT 6AC5 SZ 03	639,00

Miscelatore monocomando lavabo incasso 183
 Concealed washbasin mixer 183
 Mitigeur lavabo à encastrer 183
 UP-Einhand-Waschtischmischer 183

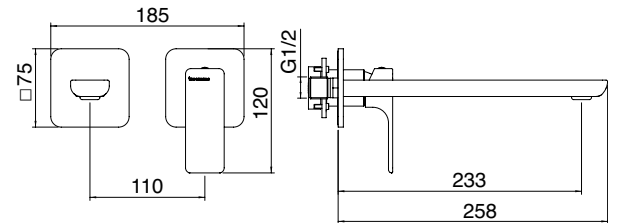
RWIT 51A5 ZZ 01 138,00
 + PARTI INCASSO - CONCEALED BODY
 CORPS À ENCASTRER - UNTERPUTZTEIL



CC	RWIT 6AC6 CC 03	313,00
NN	RWIT 6AC6 NN 03	443,00
BB	RWIT 6AC6 BB 03	443,00
NL	RWIT 6AC6 NL 03	437,00
NF	RWIT 6AC6 NF 03	437,00
KK	RWIT 6AC6 KK 03	537,00
CZ	RWIT 6AC6 CZ 03	537,00
HH	RWIT 6AC6 HH 03	537,00
US	RWIT 6AC6 US 03	537,00
UZ	RWIT 6AC6 UZ 03	537,00
DZ	RWIT 6AC6 DZ 03	690,00
SZ	RWIT 6AC6 SZ 03	690,00

Miscelatore monocomando lavabo incasso 233
 Concealed washbasin mixer 233
 Mitigeur lavabo à encastrer 233
 UP-Einhand-Waschtischmischer 233

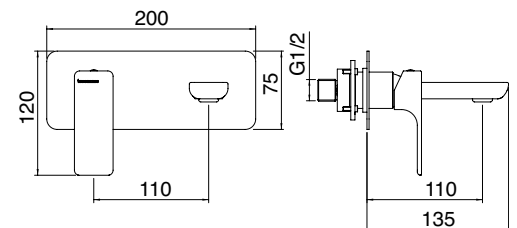
RWIT 51A5 ZZ 01 138,00
 + PARTI INCASSO - CONCEALED BODY
 CORPS À ENCASTRER - UNTERPUTZTEIL



CC	RWIT 6AA7 CC BC	258,00
NN	RWIT 6AA7 NN BC	366,00
BB	RWIT 6AA7 BB BC	366,00
NL	RWIT 6AA7 NL BC	361,00
NF	RWIT 6AA7 NF BC	361,00
KK	RWIT 6AA7 KK BC	443,00
CZ	RWIT 6AA7 CZ BC	443,00
HH	RWIT 6AA7 HH BC	443,00
US	RWIT 6AA7 US BC	443,00
UZ	RWIT 6AA7 UZ BC	443,00
DZ	RWIT 6AA7 DZ BC	570,00
SZ	RWIT 6AA7 SZ BC	570,00

Miscelatore monocomando lavabo incasso 110
 Concealed washbasin mixer 110
 Mitigeur lavabo à encastrer 110
 UP-Einhand-Waschtischmischer 110

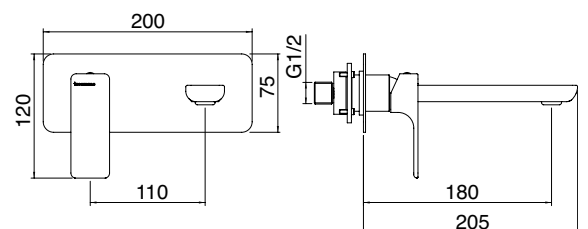
RWIT 51A5 ZZ 01 138,00
 + PARTI INCASSO - CONCEALED BODY
 CORPS À ENCASTRER - UNTERPUTZTEIL



CC	RWIT 6AA7 CC 01	263,00
NN	RWIT 6AA7 NN 01	374,00
BB	RWIT 6AA7 BB 01	374,00
NL	RWIT 6AA7 NL 01	368,00
NF	RWIT 6AA7 NF 01	368,00
KK	RWIT 6AA7 KK 01	453,00
CZ	RWIT 6AA7 CZ 01	453,00
HH	RWIT 6AA7 HH 01	453,00
US	RWIT 6AA7 US 01	453,00
UZ	RWIT 6AA7 UZ 01	453,00
DZ	RWIT 6AA7 DZ 01	581,00
SZ	RWIT 6AA7 SZ 01	581,00

Miscelatore monocomando lavabo incasso 180
 Concealed washbasin mixer 180
 Mitigeur lavabo à encastrer 180
 UP-Einhand-Waschtischmischer 180

RWIT 51A5 ZZ 01 138,00
 + PARTI INCASSO - CONCEALED BODY
 CORPS À ENCASTRER - UNTERPUTZTEIL





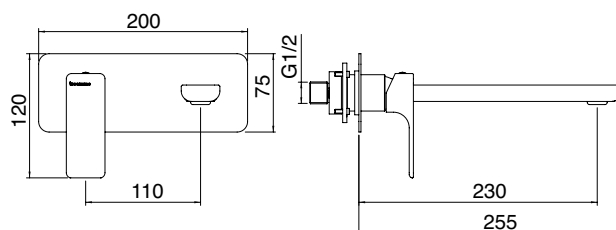
RWIT 6AA5 NF 03



CC	RWIT 6AA9 CC 01	284,00
NN	RWIT 6AA9 NN 01	403,00
BB	RWIT 6AA9 BB 01	403,00
NL	RWIT 6AA9 NL 01	397,00
NF	RWIT 6AA9 NF 01	397,00
KK	RWIT 6AA9 KK 01	488,00
CZ	RWIT 6AA9 CZ 01	488,00
HH	RWIT 6AA9 HH 01	488,00
US	RWIT 6AA9 US 01	488,00
UZ	RWIT 6AA9 UZ 01	488,00
DZ	RWIT 6AA9 DZ 01	627,00
SZ	RWIT 6AA9 SZ 01	627,00

RWIT 51A5 ZZ 01 138,00
 **PARTI INCASSO - CONCEALED BODY**
CORPS À ENCASTRER - UNTERPUTZTEIL



Miscelatore monocomando lavabo incasso 230
 Concealed washbasin mixer 230
 Mitigeur lavabo à encastrer 230
 UP-Einhand-Waschtischmischer 230



 ITRTV168ZZ	 16° ITRTAE130ZZ	 ITRTAT118ZZ	 1,5cm RWIT51A5ZZ80 3cm RWIT51A5ZZ85 5cm RWIT51A5ZZ90	 4 l/min	 QR	 RWIT51C5ZZ90
					N° i46	



KK
oxidized

US
brushed bronze

BB
matt white



NL
polished nickel

CZ
brushed black chrome

SZ
brushed rose gold





CC	RWIT 6AC7 CC BC	285,00
NN	RWIT 6AC7 NN BC	404,00
BB	RWIT 6AC7 BB BC	404,00
NL	RWIT 6AC7 NL BC	399,00
NF	RWIT 6AC7 NF BC	399,00
KK	RWIT 6AC7 KK BC	490,00
CZ	RWIT 6AC7 CZ BC	490,00
HH	RWIT 6AC7 HH BC	490,00
US	RWIT 6AC7 US BC	490,00
UZ	RWIT 6AC7 UZ BC	490,00
DZ	RWIT 6AC7 DZ BC	629,00
SZ	RWIT 6AC7 SZ BC	629,00

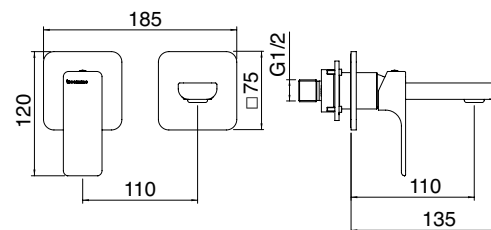
Miscelatore monocomando lavabo incasso 110
 Concealed washbasin mixer 110
 Mitigeur lavabo à encastrer 110
 UP-Einhand-Waschtischmischer 110



RWIT 51A5 ZZ 01 138,00
 + PARTI INCASO - CONCEALED BODY
 CORPS À ENCASTRER - UNTERPUTZTEIL



P_790



CC	RWIT 6AC7 CC 01	290,00
NN	RWIT 6AC7 NN 01	411,00
BB	RWIT 6AC7 BB 01	411,00
NL	RWIT 6AC7 NL 01	405,00
NF	RWIT 6AC7 NF 01	405,00
KK	RWIT 6AC7 KK 01	498,00
CZ	RWIT 6AC7 CZ 01	498,00
HH	RWIT 6AC7 HH 01	498,00
US	RWIT 6AC7 US 01	498,00
UZ	RWIT 6AC7 UZ 01	498,00
DZ	RWIT 6AC7 DZ 01	639,00
SZ	RWIT 6AC7 SZ 01	639,00

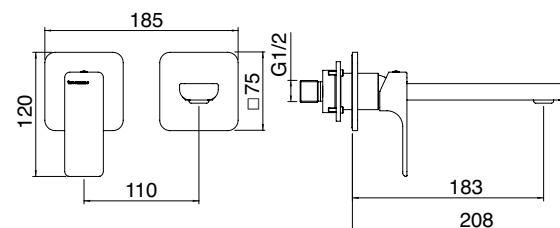
Miscelatore monocomando lavabo incasso 183
 Concealed washbasin mixer 183
 Mitigeur lavabo à encastrer 183
 UP-Einhand-Waschtischmischer 183



RWIT 51A5 ZZ 01 138,00
 + PARTI INCASO - CONCEALED BODY
 CORPS À ENCASTRER - UNTERPUTZTEIL

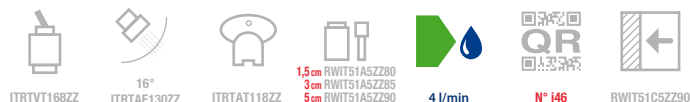


P_790



CC	RWIT 6AC9 CC 01	313,00
NN	RWIT 6AC9 NN 01	443,00
BB	RWIT 6AC9 BB 01	443,00
NL	RWIT 6AC9 NL 01	437,00
NF	RWIT 6AC9 NF 01	437,00
KK	RWIT 6AC9 KK 01	537,00
CZ	RWIT 6AC9 CZ 01	537,00
HH	RWIT 6AC9 HH 01	537,00
US	RWIT 6AC9 US 01	537,00
UZ	RWIT 6AC9 UZ 01	537,00
DZ	RWIT 6AC9 DZ 01	690,00
SZ	RWIT 6AC9 SZ 01	690,00

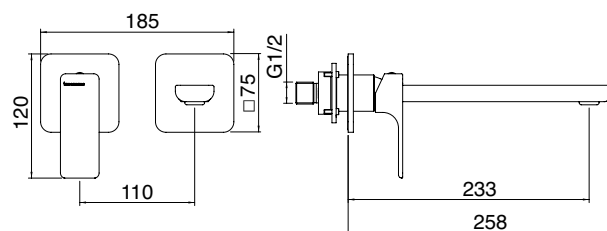
Miscelatore monocomando lavabo incasso 233
 Concealed washbasin mixer 233
 Mitigeur lavabo à encastrer 233
 UP-Einhand-Waschtischmischer 233



RWIT 51A5 ZZ 01 138,00
 + PARTI INCASO - CONCEALED BODY
 CORPS À ENCASTRER - UNTERPUTZTEIL

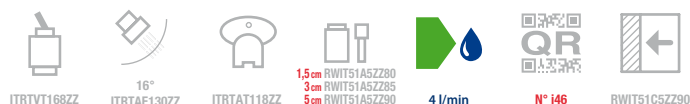


P_790



CC	RWIT 6AB2 CC BC	258,00
NN	RWIT 6AB2 NN BC	366,00
BB	RWIT 6AB2 BB BC	366,00
NL	RWIT 6AB2 NL BC	361,00
NF	RWIT 6AB2 NF BC	361,00
KK	RWIT 6AB2 KK BC	443,00
CZ	RWIT 6AB2 CZ BC	443,00
HH	RWIT 6AB2 HH BC	443,00
US	RWIT 6AB2 US BC	443,00
UZ	RWIT 6AB2 UZ BC	443,00
DZ	RWIT 6AB2 DZ BC	570,00
SZ	RWIT 6AB2 SZ BC	570,00

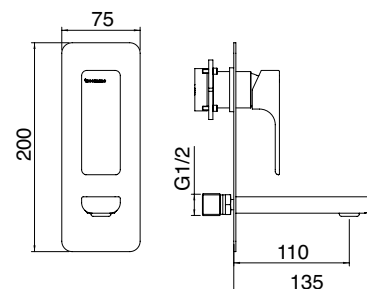
Miscelatore monocomando lavabo incasso 110
 Concealed washbasin mixer 110
 Mitigeur lavabo à encastrer 110
 UP-Einhand-Waschtischmischer 110



RWIT 51A5 ZZ 01 138,00
 + PARTI INCASO - CONCEALED BODY
 CORPS À ENCASTRER - UNTERPUTZTEIL



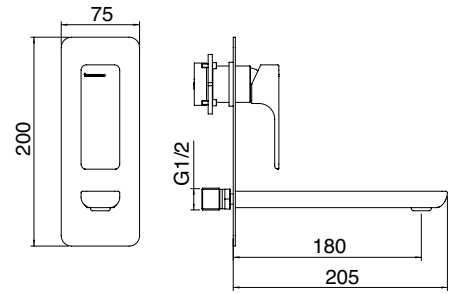
P_790





CC	RWIT 6AB2 CC 01	263,00
NN	RWIT 6AB2 NN 01	374,00
BB	RWIT 6AB2 BB 01	374,00
NL	RWIT 6AB2 NL 01	368,00
NF	RWIT 6AB2 NF 01	368,00
KK	RWIT 6AB2 KK 01	453,00
CZ	RWIT 6AB2 CZ 01	453,00
HH	RWIT 6AB2 HH 01	453,00
US	RWIT 6AB2 US 01	453,00
UZ	RWIT 6AB2 UZ 01	453,00
DZ	RWIT 6AB2 DZ 01	581,00
SZ	RWIT 6AB2 SZ 01	581,00

RWIT 51A5 ZZ 01 138,00
 + PARTI INCASSO - CONCEALED BODY
 CORPS À ENCASTRER - UNTERPUTZTEIL

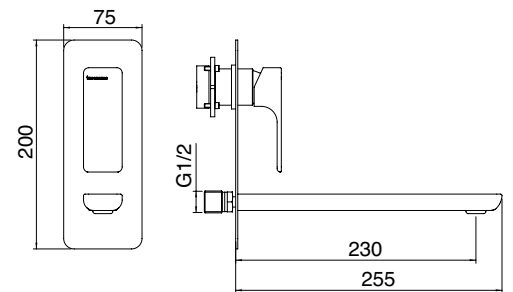


Miscelatore monocomando lavabo incasso 180
 Concealed washbasin mixer 180
 Mitigeur lavabo à encastrer 180
 UP-Einhand-Waschtischmischer 180



CC	RWIT 6AB3 CC 01	284,00
NN	RWIT 6AB3 NN 01	403,00
BB	RWIT 6AB3 BB 01	403,00
NL	RWIT 6AB3 NL 01	397,00
NF	RWIT 6AB3 NF 01	397,00
KK	RWIT 6AB3 KK 01	488,00
CZ	RWIT 6AB3 CZ 01	488,00
HH	RWIT 6AB3 HH 01	488,00
US	RWIT 6AB3 US 01	488,00
UZ	RWIT 6AB3 UZ 01	488,00
DZ	RWIT 6AB3 DZ 01	627,00
SZ	RWIT 6AB3 SZ 01	627,00

RWIT 51A5 ZZ 01 138,00
 + PARTI INCASSO - CONCEALED BODY
 CORPS À ENCASTRER - UNTERPUTZTEIL

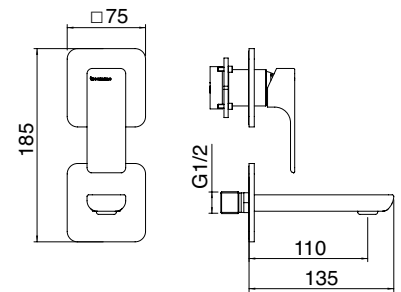


Miscelatore monocomando lavabo incasso 230
 Concealed washbasin mixer 230
 Mitigeur lavabo à encastrer 230
 UP-Einhand-Waschtischmischer 230



CC	RWIT 6AD2 CC BC	285,00
NN	RWIT 6AD2 NN BC	404,00
BB	RWIT 6AD2 BB BC	404,00
NL	RWIT 6AD2 NL BC	399,00
NF	RWIT 6AD2 NF BC	399,00
KK	RWIT 6AD2 KK BC	490,00
CZ	RWIT 6AD2 CZ BC	490,00
HH	RWIT 6AD2 HH BC	490,00
US	RWIT 6AD2 US BC	490,00
UZ	RWIT 6AD2 UZ BC	490,00
DZ	RWIT 6AD2 DZ BC	629,00
SZ	RWIT 6AD2 SZ BC	629,00

RWIT 51A5 ZZ 01 138,00
 + PARTI INCASSO - CONCEALED BODY
 CORPS À ENCASTRER - UNTERPUTZTEIL

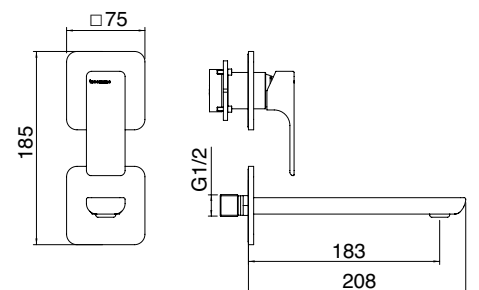


Miscelatore monocomando lavabo incasso 110
 Concealed washbasin mixer 110
 Mitigeur lavabo à encastrer 110
 UP-Einhand-Waschtischmischer 110

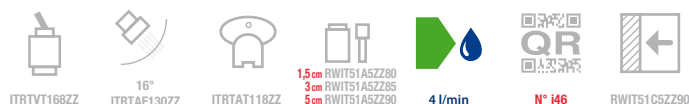


CC	RWIT 6AD2 CC 01	290,00
NN	RWIT 6AD2 NN 01	411,00
BB	RWIT 6AD2 BB 01	411,00
NL	RWIT 6AD2 NL 01	405,00
NF	RWIT 6AD2 NF 01	405,00
KK	RWIT 6AD2 KK 01	498,00
CZ	RWIT 6AD2 CZ 01	498,00
HH	RWIT 6AD2 HH 01	498,00
US	RWIT 6AD2 US 01	498,00
UZ	RWIT 6AD2 UZ 01	498,00
DZ	RWIT 6AD2 DZ 01	639,00
SZ	RWIT 6AD2 SZ 01	639,00

RWIT 51A5 ZZ 01 138,00
 + PARTI INCASSO - CONCEALED BODY
 CORPS À ENCASTRER - UNTERPUTZTEIL



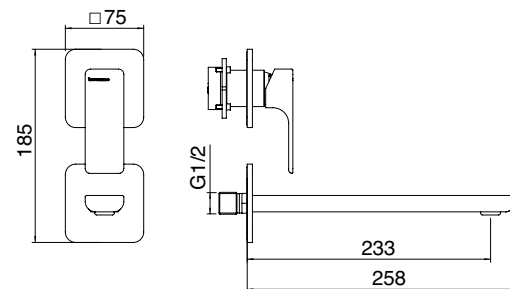
Miscelatore monocomando lavabo incasso 183
 Concealed washbasin mixer 183
 Mitigeur lavabo à encastrer 183
 UP-Einhand-Waschtischmischer 183



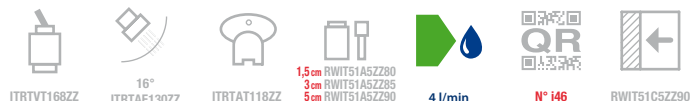


CC	RWIT 6AD3 CC 01	313,00
NN	RWIT 6AD3 NN 01	443,00
BB	RWIT 6AD3 BB 01	443,00
NL	RWIT 6AD3 NL 01	437,00
NF	RWIT 6AD3 NF 01	437,00
KK	RWIT 6AD3 KK 01	537,00
CZ	RWIT 6AD3 CZ 01	537,00
HH	RWIT 6AD3 HH 01	537,00
US	RWIT 6AD3 US 01	537,00
UZ	RWIT 6AD3 UZ 01	537,00
DZ	RWIT 6AD3 DZ 01	690,00
SZ	RWIT 6AD3 SZ 01	690,00

RWIT 51A5 ZZ 01 138,00
 + PARTI INCASO - CONCEALED BODY
 CORPS À ENCASTRER - UNTERPUTZTEIL

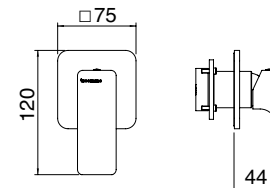


Miscelatore monocomando lavabo incasso 233
 Concealed washbasin mixer 233
 Mitigeur lavabo à encastrer 233
 UP-Einhand-Waschtischmischer 233



CC	RWIT 6AC8 CC 03	144,00
NN	RWIT 6AC8 NN 03	203,00
BB	RWIT 6AC8 BB 03	203,00
NL	RWIT 6AC8 NL 03	201,00
NF	RWIT 6AC8 NF 03	201,00
KK	RWIT 6AC8 KK 03	247,00
CZ	RWIT 6AC8 CZ 03	247,00
HH	RWIT 6AC8 HH 03	247,00
US	RWIT 6AC8 US 03	247,00
UZ	RWIT 6AC8 UZ 03	247,00
DZ	RWIT 6AC8 DZ 03	317,00
SZ	RWIT 6AC8 SZ 03	317,00

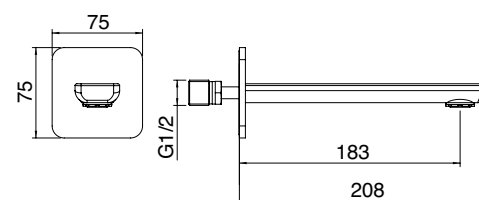
RWIT 51A8 ZZ 03 128,00
 + PARTI INCASO - CONCEALED BODY
 CORPS À ENCASTRER - UNTERPUTZTEIL



Monocomando remoto lavabo/doccia incasso
 Concealed washbasin/shower mixer
 Mitigeur lavabo/douche à encastrer
 UP-Waschtisch/Dusche Mischer



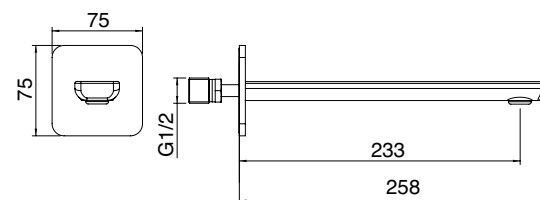
CC	IT 6A63 CC ZZ ZZ	178,00
NN	IT 6A63 NN ZZ ZZ	235,00
BB	IT 6A63 BB ZZ ZZ	235,00
NL	IT 6A63 NL ZZ ZZ	230,00
NF	IT 6A63 NF ZZ ZZ	230,00
KK	IT 6A63 KK ZZ ZZ	272,00
CZ	IT 6A63 CZ ZZ ZZ	272,00
HH	IT 6A63 HH ZZ ZZ	272,00
US	IT 6A63 US ZZ ZZ	272,00
UZ	IT 6A63 UZ ZZ ZZ	272,00
DZ	IT 6A63 DZ ZZ ZZ	367,00
SZ	IT 6A63 SZ ZZ ZZ	367,00



Bocca a muro 183
 Wall-mtd. spout 183
 Bec mural 183
 Wandauslauf 183



CC	IT 6A61 CC ZZ ZZ	195,00
NN	IT 6A61 NN ZZ ZZ	260,00
BB	IT 6A61 BB ZZ ZZ	260,00
NL	IT 6A61 NL ZZ ZZ	254,00
NF	IT 6A61 NF ZZ ZZ	254,00
KK	IT 6A61 KK ZZ ZZ	301,00
CZ	IT 6A61 CZ ZZ ZZ	301,00
HH	IT 6A61 HH ZZ ZZ	301,00
US	IT 6A61 US ZZ ZZ	301,00
UZ	IT 6A61 UZ ZZ ZZ	301,00
DZ	IT 6A61 DZ ZZ ZZ	406,00
SZ	IT 6A61 SZ ZZ ZZ	406,00



Bocca a muro 233
 Wall-mtd. spout 233
 Bec mural 233
 Wandauslauf 233





CC	IT 6A19 CC HA ZZ	147,00
NN	IT 6A19 NN HA ZZ	195,00
BB	IT 6A19 BB HA ZZ	195,00
NL	IT 6A19 NL HA ZZ	191,00
NF	IT 6A19 NF HA ZZ	191,00
KK	IT 6A19 KK HA ZZ	226,00
CZ	IT 6A19 CZ HA ZZ	226,00
HH	IT 6A19 HH HA ZZ	226,00
US	IT 6A19 US HA ZZ	226,00
UZ	IT 6A19 UZ HA ZZ	226,00
DZ	IT 6A19 DZ HA ZZ	304,00
SZ	IT 6A19 SZ HA ZZ	304,00

Rubinetto acqua fredda
Cold water tap
Robinet eau froide
Kalt- Wasser Standarmatur



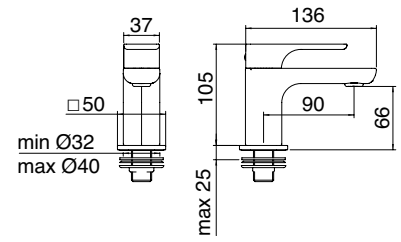
ITRTVT101CC

16°
ITRTAE130ZZ

ITRTAT118ZZ



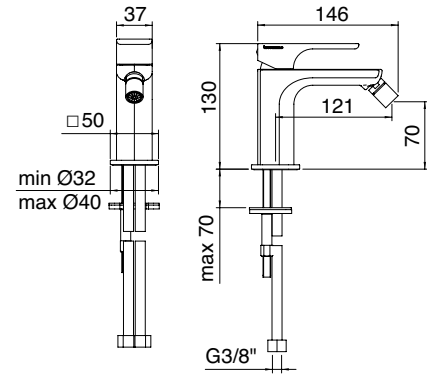
4 l/min





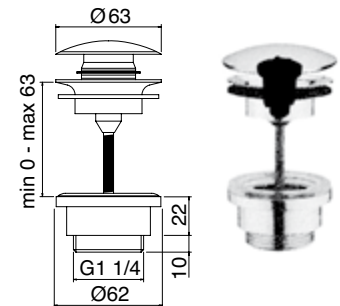
CC	IT 6A22 CC HA ZZ	167,00
NN	IT 6A22 NN HA ZZ	223,00
BB	IT 6A22 BB HA ZZ	223,00
NL	IT 6A22 NL HA ZZ	218,00
NF	IT 6A22 NF HA ZZ	218,00
KK	IT 6A22 KK HA ZZ	258,00
CZ	IT 6A22 CZ HA ZZ	258,00
HH	IT 6A22 HH HA ZZ	258,00
US	IT 6A22 US HA ZZ	258,00
UZ	IT 6A22 UZ HA ZZ	258,00
DZ	IT 6A22 DZ HA ZZ	348,00
SZ	IT 6A22 SZ HA ZZ	348,00

Miscelatore monocomando bidet
Bidet mixer
Mitigeur bidet
Einhand-Bidetmischer



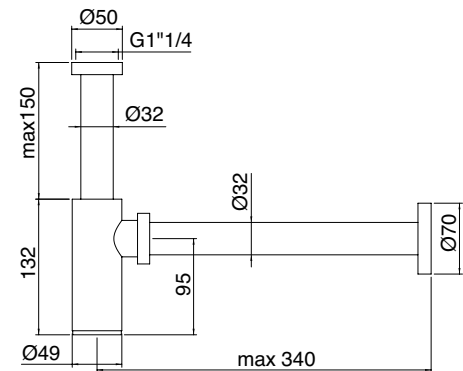
CC	IT RTSA 117 CC	28,00
NN	IT RTSA 117 NN	38,00
BB	IT RTSA 117 BB	38,00
NL	IT RTSA 117 NL	39,00
NF	IT RTSA 117 NF	39,00
KK	IT RTSA 117 KK	43,00
CZ	IT RTSA 117 CZ	45,00
HH	IT RTSA 117 HH	45,00
US	IT RTSA 117 US	45,00
UZ	IT RTSA 117 UZ	45,00
DZ	IT RTSA 117 DZ	59,00
SZ	IT RTSA 117 SZ	59,00

Scarico click-clack universale con inserto per sempre aperto
Universal up/down pop-up waste with adaptor for continuous water flow
Bonde click-clack universelle avec option écoulement libre
Universal-Ablaufgarnitur Click-Clack mit Verschlussperle



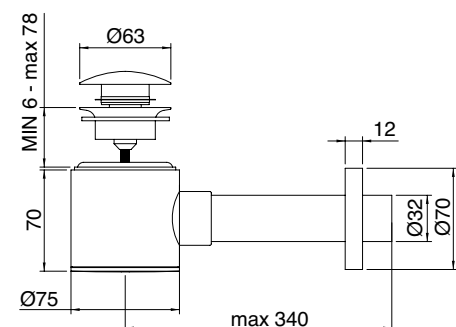
CC	IT 0405 CC ZZ ZZ	88,00
NN	IT 0405 NN ZZ ZZ	177,00
BB	IT 0405 BB ZZ ZZ	177,00
NL	IT 0405 NL ZZ ZZ	167,00
NF	IT 0405 NF ZZ ZZ	167,00
KK	IT 0405 KK ZZ ZZ	186,00
CZ	IT 0405 CZ ZZ ZZ	136,00
HH	IT 0405 HH ZZ ZZ	136,00
US	IT 0405 US ZZ ZZ	136,00
UZ	IT 0405 UZ ZZ ZZ	136,00
DZ	IT 0405 DZ ZZ ZZ	184,00
SZ	IT 0405 SZ ZZ ZZ	184,00

Sifone a vista
Drain-trap
Siphon
Siphon für Waschtisch



CC	RWIT 0408 CC 05	194,00
NN	RWIT 0408 NN 05	276,00
BB	RWIT 0408 BB 05	276,00
NL	RWIT 0408 NL 05	272,00
NF	RWIT 0408 NF 05	272,00
KK	RWIT 0408 KK 05	334,00
CZ	RWIT 0408 CZ 05	334,00
HH	RWIT 0408 HH 05	334,00
US	RWIT 0408 US 05	334,00
UZ	RWIT 0408 UZ 05	334,00
DZ	RWIT 0408 DZ 05	429,00
SZ	RWIT 0408 SZ 05	429,00

Sifone a vista
Drain-trap
Siphon
Siphon für Waschtisch

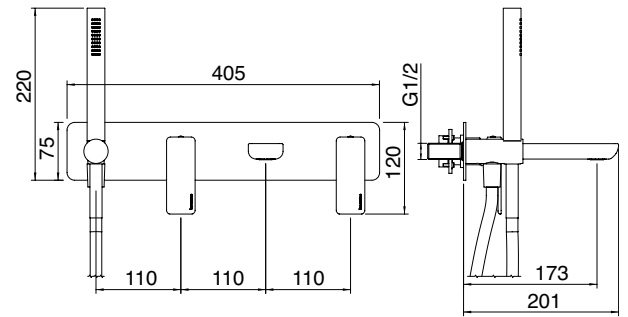




CC	RWIT 6AD7 CC 01	547,00
NN	RWIT 6AD7 NN 01	776,00
BB	RWIT 6AD7 BB 01	776,00
NL	RWIT 6AD7 NL 01	766,00
NF	RWIT 6AD7 NF 01	766,00
KK	RWIT 6AD7 KK 01	941,00
CZ	RWIT 6AD7 CZ 01	941,00
HH	RWIT 6AD7 HH 01	941,00
US	RWIT 6AD7 US 01	941,00
UZ	RWIT 6AD7 UZ 01	941,00
DZ	RWIT 6AD7 DZ 01	1.208,00
SZ	RWIT 6AD7 SZ 01	1.208,00

RWIT 51D7 ZZ 12 305,00

+ PARTI INCASSO - CONCEALED BODY
CORPS À ENCASTRER - UNTERPUTZTEIL



Miscelatore monocomando vasca/doccia incasso
Concealed bath/shower mixer
Mitigeur bain/douche à encastrer
Wanne / Brause EHM UP

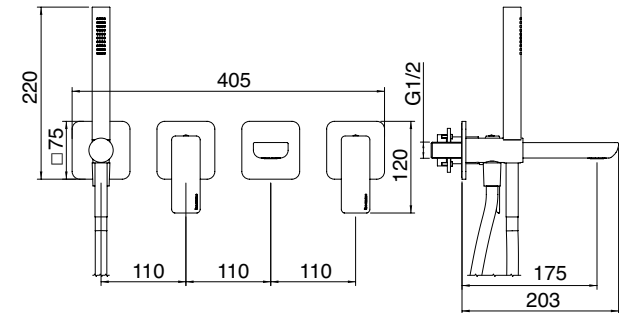
ITRTVT168ZZ ITRTAE126ZZ ITRTAT111ZZ 1,5 cm RWIT51ASZZ80 1/2 3 cm RWIT51ASZZ85 1/2 5 cm RWIT51ASZZ90 1/2 1,5 M PVC FLEX METAL \approx 22 l/min \approx 8 l/min N° 151 RWIT51D7ZZ50



CC	RWIT 6AD8 CC 01	576,00
NN	RWIT 6AD8 NN 01	818,00
BB	RWIT 6AD8 BB 01	818,00
NL	RWIT 6AD8 NL 01	807,00
NF	RWIT 6AD8 NF 01	807,00
KK	RWIT 6AD8 KK 01	990,00
CZ	RWIT 6AD8 CZ 01	990,00
HH	RWIT 6AD8 HH 01	990,00
US	RWIT 6AD8 US 01	990,00
UZ	RWIT 6AD8 UZ 01	990,00
DZ	RWIT 6AD8 DZ 01	1.273,00
SZ	RWIT 6AD8 SZ 01	1.273,00

RWIT 51D7 ZZ 12 305,00

+ PARTI INCASSO - CONCEALED BODY
CORPS À ENCASTRER - UNTERPUTZTEIL



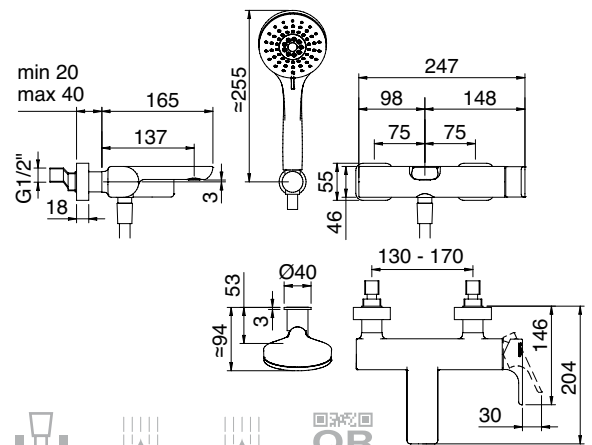
Miscelatore monocomando vasca/doccia incasso
Concealed bath/shower mixer
Mitigeur bain/douche à encastrer
Wanne / Brause EHM UP

ITRTVT168ZZ ITRTAE126ZZ ITRTAT111ZZ 1,5 cm RWIT51ASZZ80 1/2 3 cm RWIT51ASZZ85 1/2 5 cm RWIT51ASZZ90 1/2 1,5 M PVC FLEX METAL \approx 22 l/min \approx 8 l/min N° 151 RWIT51D7ZZ50



CC	IT 6A00 CC HA ZZ	472,00
NN	IT 6A00 NN HA ZZ	628,00
BB	IT 6A00 BB HA ZZ	628,00
NF	IT 6A00 NF HA ZZ	614,00

Miscelatore monocomando esterno vasca
Wall-mtd. bathtub mixer
Mitigeur bain/douche mural
AP-Badewannen-Einhandbatterie

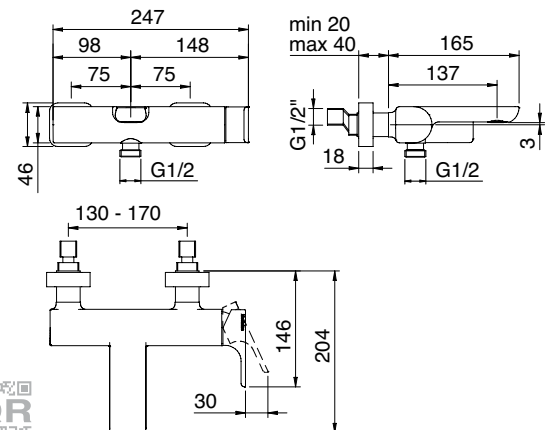


ITRTVT131ZZ ITRTAE126ZZ ITRTAT111ZZ 1,5 M PVC ABS DIVERTER \approx 21 l/min \approx 8 l/min N° 67



CC	IT 6A50 CC HA ZZ	380,00
NN	IT 6A50 NN HA ZZ	504,00
BB	IT 6A50 BB HA ZZ	504,00
NL	IT 6A50 NL HA ZZ	493,00
NF	IT 6A50 NF HA ZZ	493,00
KK	IT 6A50 KK HA ZZ	583,00
CZ	IT 6A50 CZ HA ZZ	583,00
HH	IT 6A50 HH HA ZZ	583,00
US	IT 6A50 US HA ZZ	583,00
UZ	IT 6A50 UZ HA ZZ	583,00
DZ	IT 6A50 DZ HA ZZ	788,00
SZ	IT 6A50 SZ HA ZZ	788,00

Gruppo esterno vasca senza set doccia
Wall-mtd. bathtub mixer without shower set
Mitigeur bain/douche mural sans set de douche
AP-Badewannen-Einhandbatterie ohne Duschset



ITRTVT131ZZ ITRTAE126ZZ ITRTAT111ZZ 1/2 M 21 l/min QR N° 67

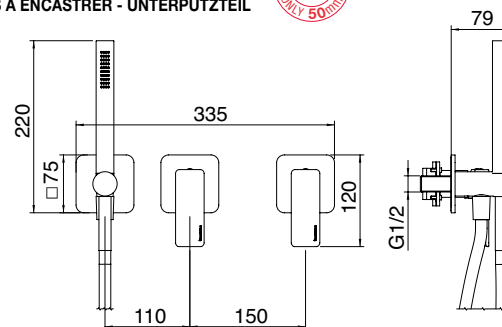




CC	RWIT 6AD9 CC 01	502,00
NN	RWIT 6AD9 NN 01	712,00
BB	RWIT 6AD9 BB 01	712,00
NL	RWIT 6AD9 NL 01	702,00
NF	RWIT 6AD9 NF 01	702,00
KK	RWIT 6AD9 KK 01	863,00
CZ	RWIT 6AD9 CZ 01	863,00
HH	RWIT 6AD9 HH 01	863,00
US	RWIT 6AD9 US 01	863,00
UZ	RWIT 6AD9 UZ 01	863,00
DZ	RWIT 6AD9 DZ 01	1.108,00
SZ	RWIT 6AD9 SZ 01	1.108,00

RWIT 51D9 ZZ 01 293,00

+ PARTI INCASSO - CONCEALED BODY
CORPS À ENCASTRER - UNTERPUTZTEIL



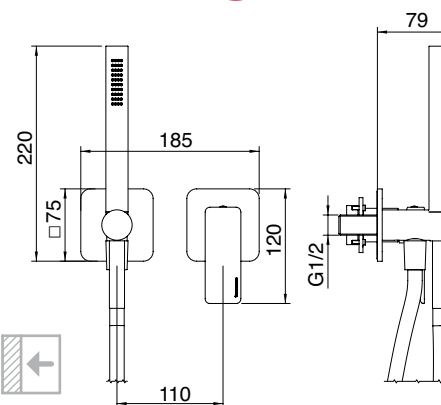
Miscelatore monocomando vasca/doccia incasso
Concealed bath/shower mixer
Mitigeur bain/douche à encastrer
Wanne / Brause EHM UP



CC	RWIT 6AD4 CC 01	360,00
NN	RWIT 6AD4 NN 01	511,00
BB	RWIT 6AD4 BB 01	511,00
NL	RWIT 6AD4 NL 01	504,00
NF	RWIT 6AD4 NF 01	504,00
KK	RWIT 6AD4 KK 01	618,00
CZ	RWIT 6AD4 CZ 01	618,00
HH	RWIT 6AD4 HH 01	618,00
US	RWIT 6AD4 US 01	618,00
UZ	RWIT 6AD4 UZ 01	618,00
DZ	RWIT 6AD4 DZ 01	795,00
SZ	RWIT 6AD4 SZ 01	795,00

RWIT 51A5 ZZ 01 138,00

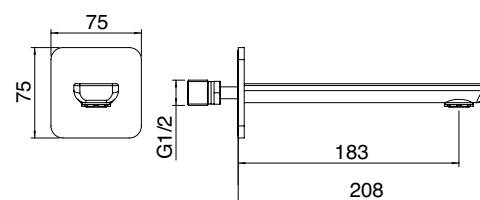
+ PARTI INCASSO - CONCEALED BODY
CORPS À ENCASTRER - UNTERPUTZTEIL



Miscelatore monocomando incasso doccia con doccetta
Concealed shower mixer with hand-shower
Mitigeur douche à encastrer avec douchette
Brause EHM UP mit Handbrause



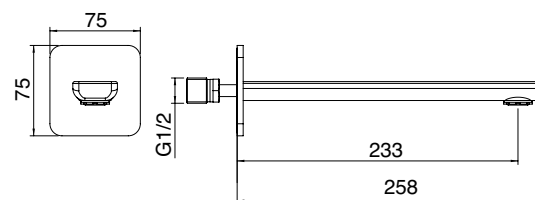
CC	IT 6A63 CC ZZ HF	178,00
NN	IT 6A63 NN ZZ HF	235,00
BB	IT 6A63 BB ZZ HF	235,00
NL	IT 6A63 NL ZZ HF	230,00
NF	IT 6A63 NF ZZ HF	230,00
KK	IT 6A63 KK ZZ HF	272,00
CZ	IT 6A63 CZ ZZ HF	272,00
HH	IT 6A63 HH ZZ HF	272,00
US	IT 6A63 US ZZ HF	272,00
UZ	IT 6A63 UZ ZZ HF	272,00
DZ	IT 6A63 DZ ZZ HF	367,00
SZ	IT 6A63 SZ ZZ HF	367,00



Bocca a muro 183
Wall-mtd. spout 183
Bec mural 183
Wandauslauf 183



CC	IT 6A61 CC ZZ HF	195,00
NN	IT 6A61 NN ZZ HF	260,00
BB	IT 6A61 BB ZZ HF	260,00
NL	IT 6A61 NL ZZ HF	254,00
NF	IT 6A61 NF ZZ HF	254,00
KK	IT 6A61 KK ZZ HF	301,00
CZ	IT 6A61 CZ ZZ HF	301,00
HH	IT 6A61 HH ZZ HF	301,00
US	IT 6A61 US ZZ HF	301,00
UZ	IT 6A61 UZ ZZ HF	301,00
DZ	IT 6A61 DZ ZZ HF	406,00
SZ	IT 6A61 SZ ZZ HF	406,00



Bocca a muro 233
Wall-mtd. spout 233
Bec mural 233
Wandauslauf 233



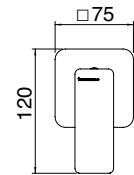


CC	RWIT 6A59 CC 80	87,00
NN	RWIT 6A59 NN 80	116,00
BB	RWIT 6A59 BB 80	116,00
NL	RWIT 6A59 NL 80	114,00
NF	RWIT 6A59 NF 80	114,00
KK	RWIT 6A59 KK 80	134,00
CZ	RWIT 6A59 CZ 80	134,00
HH	RWIT 6A59 HH 80	134,00
US	RWIT 6A59 US 80	134,00
UZ	RWIT 6A59 UZ 80	134,00
DZ	RWIT 6A59 DZ 80	181,00
SZ	RWIT 6A59 SZ 80	181,00

RWIT 6A08 CC 70	57,00
RWIT 6A08 NN 70	77,00
RWIT 6A08 BB 70	77,00
RWIT 6A08 NL 70	75,00
RWIT 6A08 NF 70	75,00
+ RWIT 6A08 KK 70	89,00
RWIT 6A08 CZ 70	89,00
RWIT 6A08 HH 70	89,00
RWIT 6A08 US 70	89,00
RWIT 6A08 UZ 70	89,00
RWIT 6A08 DZ 70	119,00
RWIT 6A08 SZ 70	119,00

Monocomando remoto lavabo/doccia incasso
 Concealed washbasin/shower mixer
 Mitigeur lavabo/douche à encastrer
 UP-Waschtisch/Dusche Mischer

PARTI INCASSO - CONCEALED BODY
 CORPS À ENCASTRER - UNTERPUTZTEIL



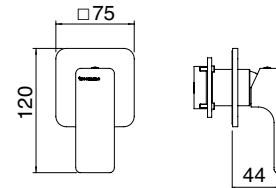
CC	RWIT 6AC8 CC 03	144,00
NN	RWIT 6AC8 NN 03	203,00
BB	RWIT 6AC8 BB 03	203,00
NL	RWIT 6AC8 NL 03	201,00
NF	RWIT 6AC8 NF 03	201,00
KK	RWIT 6AC8 KK 03	247,00
CZ	RWIT 6AC8 CZ 03	247,00
HH	RWIT 6AC8 HH 03	247,00
US	RWIT 6AC8 US 03	247,00
UZ	RWIT 6AC8 UZ 03	247,00
DZ	RWIT 6AC8 DZ 03	317,00
SZ	RWIT 6AC8 SZ 03	317,00

+ RWIT 51A8 ZZ 03	128,00
-------------------	--------

PARTI INCASSO - CONCEALED BODY
 CORPS À ENCASTRER - UNTERPUTZTEIL



Monocomando remoto lavabo/doccia incasso
 Concealed washbasin/shower mixer
 Mitigeur lavabo/douche à encastrer
 UP-Waschtisch/Dusche Mischer

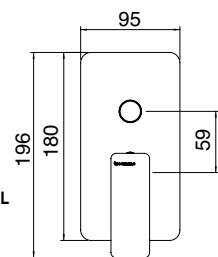


CC	RWIT 6A49 CC 80	100,00
NN	RWIT 6A49 NN 80	133,00
BB	RWIT 6A49 BB 80	133,00
NL	RWIT 6A49 NL 80	130,00
NF	RWIT 6A49 NF 80	130,00
KK	RWIT 6A49 KK 80	154,00
CZ	RWIT 6A49 CZ 80	154,00
HH	RWIT 6A49 HH 80	154,00
US	RWIT 6A49 US 80	154,00
UZ	RWIT 6A49 UZ 80	154,00
DZ	RWIT 6A49 DZ 80	208,00
SZ	RWIT 6A49 SZ 80	208,00

+ RWIT 6A49 CC 70	141,00
RWIT 6A49 NN 70	187,00
RWIT 6A49 BB 70	187,00
RWIT 6A49 NL 70	183,00
RWIT 6A49 NF 70	183,00
+ RWIT 6A49 KK 70	216,00
RWIT 6A49 CZ 70	216,00
RWIT 6A49 HH 70	216,00
RWIT 6A49 US 70	216,00
RWIT 6A49 UZ 70	216,00
RWIT 6A49 DZ 70	292,00
RWIT 6A49 SZ 70	292,00

Miscelatore monocomando vasca/doccia incasso
 Concealed bath/shower mixer with diverter
 Mitigeur bain/douche à encastrer avec inverseur
 UP Wanne/Brause Einhebelmischer

PARTI INCASSO - CONCEALED BODY
 CORPS À ENCASTRER - UNTERPUTZTEIL



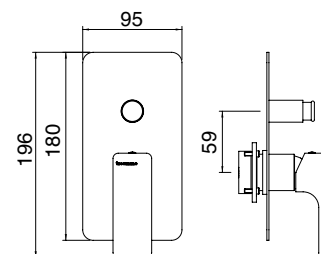
CC	RWIT 6AB1 CC 01	156,00
NN	RWIT 6AB1 NN 01	221,00
BB	RWIT 6AB1 BB 01	221,00
NL	RWIT 6AB1 NL 01	218,00
NF	RWIT 6AB1 NF 01	218,00
KK	RWIT 6AB1 KK 01	267,00
CZ	RWIT 6AB1 CZ 01	267,00
HH	RWIT 6AB1 HH 01	267,00
US	RWIT 6AB1 US 01	267,00
UZ	RWIT 6AB1 UZ 01	267,00
DZ	RWIT 6AB1 DZ 01	342,00
SZ	RWIT 6AB1 SZ 01	342,00

+ RWIT 51B1 ZZ 03	160,00
-------------------	--------

PARTI INCASSO - CONCEALED BODY
 CORPS À ENCASTRER - UNTERPUTZTEIL



Miscelatore monocomando vasca/doccia incasso
 Concealed bath/shower mixer with diverter
 Mitigeur bain/douche à encastrer avec inverseur
 UP Wanne/Brause Einhebelmischer



RAN

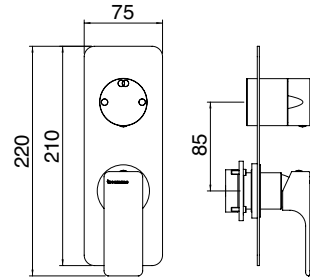
HASK





CC	RWIT 6AA2 CC 01	286,00
NN	RWIT 6AA2 NN 01	405,00
BB	RWIT 6AA2 BB 01	405,00
NL	RWIT 6AA2 NL 01	399,00
NF	RWIT 6AA2 NF 01	399,00
KK	RWIT 6AA2 KK 01	490,00
CZ	RWIT 6AA2 CZ 01	490,00
HH	RWIT 6AA2 HH 01	490,00
US	RWIT 6AA2 US 01	490,00
UZ	RWIT 6AA2 UZ 01	490,00
DZ	RWIT 6AA2 DZ 01	630,00
SZ	RWIT 6AA2 SZ 01	630,00

RWIT 22A2 ZZ 01 237,00
 + PARTI INCASSO - CONCEALED BODY
 CORPS À ENCASTRER - UNTERPUTZTEIL

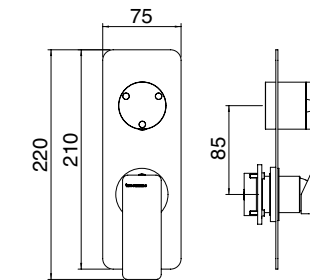


Miscelatore monocomando con deviatore 2 uscite
 Concealed mixer with 2 ways diverter
 Mitigeur à encastrer avec inverseur à 2 sorties
 EHM UP mit 2 Wege Umsteller

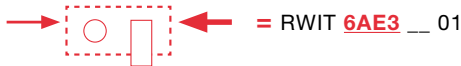


CC	RWIT 6AA3 CC 01	306,00
NN	RWIT 6AA3 NN 01	434,00
BB	RWIT 6AA3 BB 01	434,00
NL	RWIT 6AA3 NL 01	428,00
NF	RWIT 6AA3 NF 01	428,00
KK	RWIT 6AA3 KK 01	526,00
CZ	RWIT 6AA3 CZ 01	526,00
HH	RWIT 6AA3 HH 01	526,00
US	RWIT 6AA3 US 01	526,00
UZ	RWIT 6AA3 UZ 01	526,00
DZ	RWIT 6AA3 DZ 01	675,00
SZ	RWIT 6AA3 SZ 01	675,00

RWIT 22A2 ZZ 01 237,00
 + PARTI INCASSO - CONCEALED BODY
 CORPS À ENCASTRER - UNTERPUTZTEIL

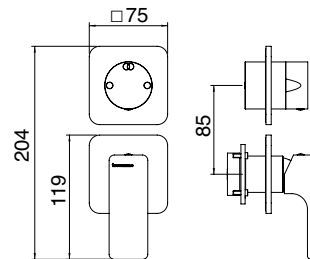


Miscelatore monocomando con deviatore 3 uscite
 Concealed mixer with 3 ways diverter
 Mitigeur à encastrer avec inverseur à 3 sorties
 EHM UP mit 3 Wege Umsteller

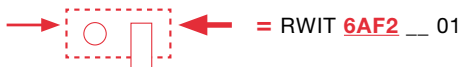


CC	RWIT 6AC2 CC 01	309,00
NN	RWIT 6AC2 NN 01	438,00
BB	RWIT 6AC2 BB 01	438,00
NL	RWIT 6AC2 NL 01	432,00
NF	RWIT 6AC2 NF 01	432,00
KK	RWIT 6AC2 KK 01	531,00
CZ	RWIT 6AC2 CZ 01	531,00
HH	RWIT 6AC2 HH 01	531,00
US	RWIT 6AC2 US 01	531,00
UZ	RWIT 6AC2 UZ 01	531,00
DZ	RWIT 6AC2 DZ 01	682,00
SZ	RWIT 6AC2 SZ 01	682,00

RWIT 22A2 ZZ 01 237,00
 + PARTI INCASSO - CONCEALED BODY
 CORPS À ENCASTRER - UNTERPUTZTEIL

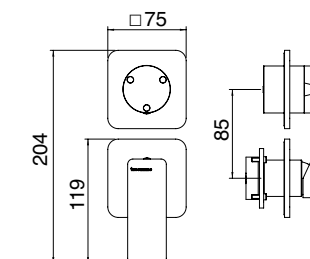


Miscelatore monocomando con deviatore 2 uscite
 Concealed mixer with 2 ways diverter
 Mitigeur à encastrer avec inverseur à 2 sorties
 EHM UP mit 2 Wege Umsteller



CC	RWIT 6AC3 CC 01	333,00
NN	RWIT 6AC3 NN 01	472,00
BB	RWIT 6AC3 BB 01	472,00
NL	RWIT 6AC3 NL 01	466,00
NF	RWIT 6AC3 NF 01	466,00
KK	RWIT 6AC3 KK 01	572,00
CZ	RWIT 6AC3 CZ 01	572,00
HH	RWIT 6AC3 HH 01	572,00
US	RWIT 6AC3 US 01	572,00
UZ	RWIT 6AC3 UZ 01	572,00
DZ	RWIT 6AC3 DZ 01	735,00
SZ	RWIT 6AC3 SZ 01	735,00

RWIT 22A2 ZZ 01 237,00
 + PARTI INCASSO - CONCEALED BODY
 CORPS À ENCASTRER - UNTERPUTZTEIL



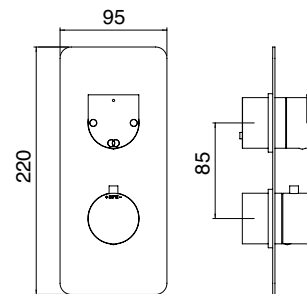
Miscelatore monocomando con deviatore 3 uscite
 Concealed mixer with 3 ways diverter
 Mitigeur à encastrer avec inverseur à 3 sorties
 EHM UP mit 3 Wege Umsteller





CC	RWIT 8A46 CC 05	250,00
NN	RWIT 8A46 NN 05	355,00
BB	RWIT 8A46 BB 05	355,00
NL	RWIT 8A46 NL 05	350,00
NF	RWIT 8A46 NF 05	350,00
KK	RWIT 8A46 KK 05	430,00
CZ	RWIT 8A46 CZ 05	430,00
HH	RWIT 8A46 HH 05	430,00
US	RWIT 8A46 US 05	430,00
UZ	RWIT 8A46 UZ 05	430,00
DZ	RWIT 8A46 DZ 05	552,00
SZ	RWIT 8A46 SZ 05	552,00

RWIT 8A46 ZZ 20 309,00
 + PARTI INCASSO - CONCEALED BODY
 CORPS À ENCASTRER - UNTERPUTZTEIL

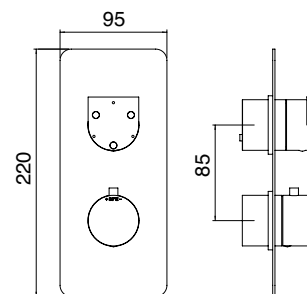


Termostatico incasso con deviatore 2 uscite
 2 ways concealed thermostatic diverter
 Thermostatique à encastrer avec inverseur à 2 sorties
 UP-Thermostat 2 Wege Umsteller



CC	RWIT 8A72 CC 05	295,00
NN	RWIT 8A72 NN 05	420,00
BB	RWIT 8A72 BB 05	420,00
NL	RWIT 8A72 NL 05	414,00
NF	RWIT 8A72 NF 05	414,00
KK	RWIT 8A72 KK 05	507,00
CZ	RWIT 8A72 CZ 05	507,00
HH	RWIT 8A72 HH 05	507,00
US	RWIT 8A72 US 05	507,00
UZ	RWIT 8A72 UZ 05	507,00
DZ	RWIT 8A72 DZ 05	652,00
SZ	RWIT 8A72 SZ 05	652,00

RWIT 8A46 ZZ 20 309,00
 + PARTI INCASSO - CONCEALED BODY
 CORPS À ENCASTRER - UNTERPUTZTEIL

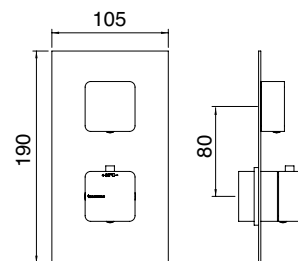


Termostatico incasso con deviatore 3 uscite
 3 ways concealed thermostatic diverter
 Thermostatique à encastrer avec inverseur à 3 sorties
 UP-Thermostat 3 Wege Umsteller

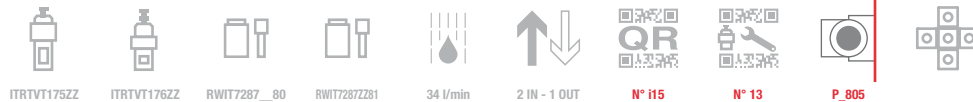


CC	RWIT 7287 CC 77	248,00
NN	RWIT 7287 NN 77	352,00
BB	RWIT 7287 BB 77	352,00
NL	RWIT 7287 NL 77	347,00
NF	RWIT 7287 NF 77	347,00
KK	RWIT 7287 KK 77	426,00
CZ	RWIT 7287 CZ 77	426,00
HH	RWIT 7287 HH 77	426,00
US	RWIT 7287 US 77	426,00
UZ	RWIT 7287 UZ 77	426,00
DZ	RWIT 7287 DZ 77	547,00
SZ	RWIT 7287 SZ 77	547,00

RWIT 7287 ZZ 30 458,00
 + PARTI INCASSO - CONCEALED BODY
 CORPS À ENCASTRER - UNTERPUTZTEIL

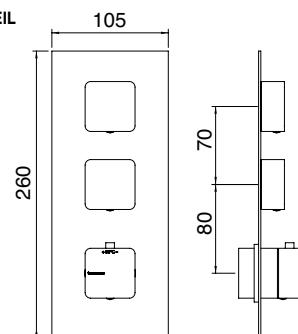


Termostatico incasso 1 uscita
 1 way concealed thermostatic
 Thermostatique à encastrer avec 1 sortie
 UP-Thermostat mit 1 Weg



CC	RWIT 7286 CC 77	371,00
NN	RWIT 7286 NN 77	528,00
BB	RWIT 7286 BB 77	528,00
NL	RWIT 7286 NL 77	520,00
NF	RWIT 7286 NF 77	520,00
KK	RWIT 7286 KK 77	639,00
CZ	RWIT 7286 CZ 77	639,00
HH	RWIT 7286 HH 77	639,00
US	RWIT 7286 US 77	639,00
UZ	RWIT 7286 UZ 77	639,00
DZ	RWIT 7286 DZ 77	820,00
SZ	RWIT 7286 SZ 77	820,00

RWIT 7286 ZZ 30 680,00
 + PARTI INCASSO - CONCEALED BODY
 CORPS À ENCASTRER - UNTERPUTZTEIL




Termostatico incasso 2 uscite
 2 ways concealed thermostatic
 Thermostatique à encastrer avec 2 sorties
 UP-Thermostat mit 2 Wege



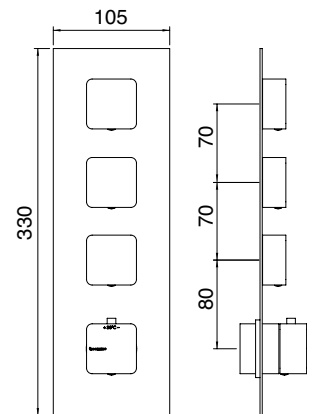
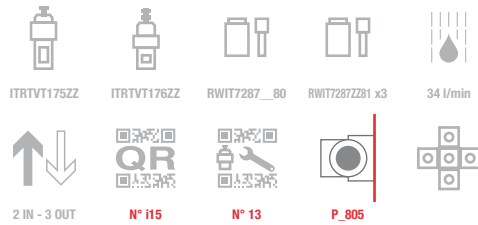


CC	RWIT 7294 CC 77	504,00
NN	RWIT 7294 NN 77	716,00
BB	RWIT 7294 BB 77	716,00
NL	RWIT 7294 NL 77	706,00
NF	RWIT 7294 NF 77	706,00
KK	RWIT 7294 KK 77	868,00
CZ	RWIT 7294 CZ 77	868,00
HH	RWIT 7294 HH 77	868,00
US	RWIT 7294 US 77	868,00
UZ	RWIT 7294 UZ 77	868,00
DZ	RWIT 7294 DZ 77	1.114,00
SZ	RWIT 7294 SZ 77	1.114,00

RWIT 7294 ZZ 30 855,00


+  **PARTI INCASO - CONCEALED BODY**
CORPS À ENCASTRER - UNTERPUTZTEIL

Termostatico incasso 3 uscite
3 ways concealed thermostatic
Thermostatique à encastrer avec 3 sorties
UP-Thermostat mit 3 Wege

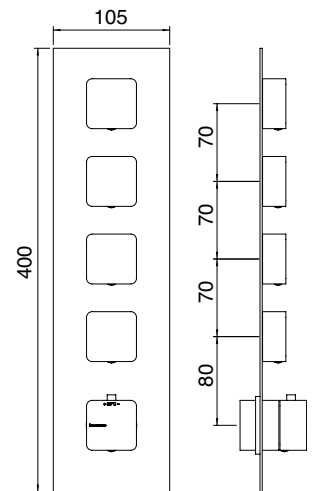


CC	RWIT 7297 CC 77	597,00
NN	RWIT 7297 NN 77	848,00
BB	RWIT 7297 BB 77	848,00
NL	RWIT 7297 NL 77	836,00
NF	RWIT 7297 NF 77	836,00
KK	RWIT 7297 KK 77	1.026,00
CZ	RWIT 7297 CZ 77	1.026,00
HH	RWIT 7297 HH 77	1.026,00
US	RWIT 7297 US 77	1.026,00
UZ	RWIT 7297 UZ 77	1.026,00
DZ	RWIT 7297 DZ 77	1.319,00
SZ	RWIT 7297 SZ 77	1.319,00

RWIT 7297 ZZ 30 1.030,00


+  **PARTI INCASO - CONCEALED BODY**
CORPS À ENCASTRER - UNTERPUTZTEIL

Termostatico incasso 4 uscite
4 ways concealed thermostatic
Thermostatique à encastrer avec 4 sorties
UP-Thermostat mit 4 Wege

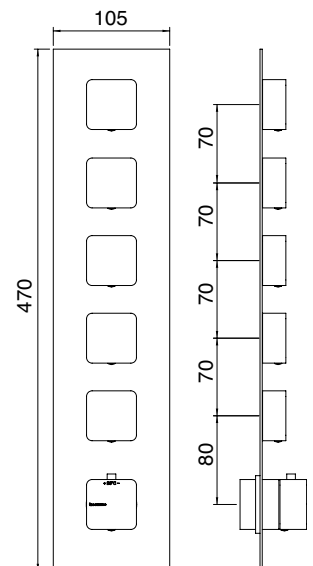


CC	RWIT 7298 CC 77	720,00
NN	RWIT 7298 NN 77	1.023,00
BB	RWIT 7298 BB 77	1.023,00
NL	RWIT 7298 NL 77	1.009,00
NF	RWIT 7298 NF 77	1.009,00
KK	RWIT 7298 KK 77	1.240,00
CZ	RWIT 7298 CZ 77	1.240,00
HH	RWIT 7298 HH 77	1.240,00
US	RWIT 7298 US 77	1.240,00
UZ	RWIT 7298 UZ 77	1.240,00
DZ	RWIT 7298 DZ 77	1.592,00
SZ	RWIT 7298 SZ 77	1.592,00

RWIT 7298 ZZ 30 1.205,00

+  **PARTI INCASO - CONCEALED BODY**
CORPS À ENCASTRER - UNTERPUTZTEIL

Termostatico incasso 5 uscite
5 ways concealed thermostatic
Thermostatique à encastrer avec 5 sorties
UP-Thermostat mit 5 Wege



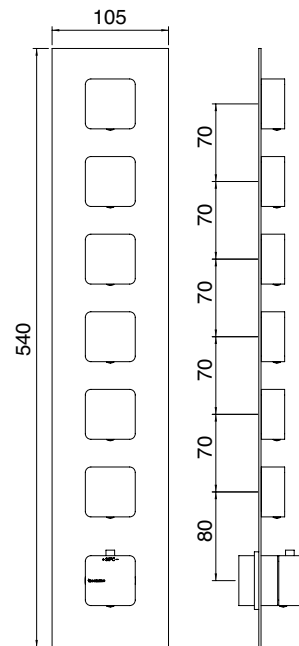


CC	RWIT 7264 CC 77	855,00
NN	RWIT 7264 NN 77	1.215,00
BB	RWIT 7264 BB 77	1.215,00
NL	RWIT 7264 NL 77	1.197,00
NF	RWIT 7264 NF 77	1.197,00
KK	RWIT 7264 KK 77	1.471,00
CZ	RWIT 7264 CZ 77	1.471,00
HH	RWIT 7264 HH 77	1.471,00
US	RWIT 7264 US 77	1.471,00
UZ	RWIT 7264 UZ 77	1.471,00
DZ	RWIT 7264 DZ 77	1.891,00
SZ	RWIT 7264 SZ 77	1.891,00

Termostatico incasso 6 uscite
6 ways concealed thermostat
Thermostatique à encastrer avec 6 sorties
UP-Thermostat mit 6 Wege

RWIT 7264 ZZ 30 1.380,00

+ PARTI INCASSO - CONCEALED BODY
CORPS À ENCASTRER - UNTERPUTZTEIL

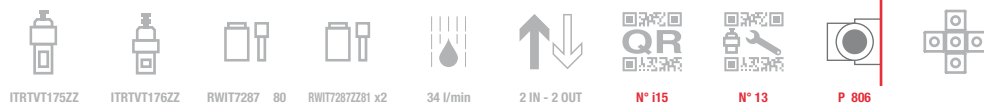
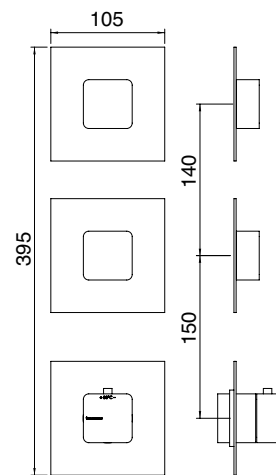


CC	RWIT 7274 CC 77	438,00
NN	RWIT 7274 NN 77	623,00
BB	RWIT 7274 BB 77	623,00
NL	RWIT 7274 NL 77	613,00
NF	RWIT 7274 NF 77	613,00
KK	RWIT 7274 KK 77	753,00
CZ	RWIT 7274 CZ 77	753,00
HH	RWIT 7274 HH 77	753,00
US	RWIT 7274 US 77	753,00
UZ	RWIT 7274 UZ 77	753,00
DZ	RWIT 7274 DZ 77	969,00
SZ	RWIT 7274 SZ 77	969,00

Termostatico incasso 2 uscite
2 ways concealed thermostat
Thermostatique à encastrer avec 2 sorties
UP-Thermostat mit 2 Wege

RWIT 7274 ZZ 40 762,00

+ PARTI INCASSO - CONCEALED BODY
CORPS À ENCASTRER - UNTERPUTZTEIL

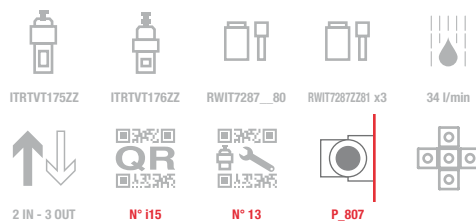
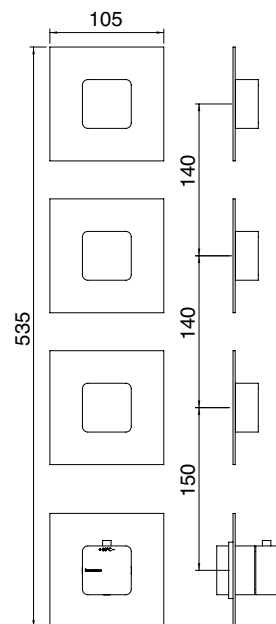


CC	RWIT 7275 CC 77	567,00
NN	RWIT 7275 NN 77	805,00
BB	RWIT 7275 BB 77	805,00
NL	RWIT 7275 NL 77	794,00
NF	RWIT 7275 NF 77	794,00
KK	RWIT 7275 KK 77	975,00
CZ	RWIT 7275 CZ 77	975,00
HH	RWIT 7275 HH 77	975,00
US	RWIT 7275 US 77	975,00
UZ	RWIT 7275 UZ 77	975,00
DZ	RWIT 7275 DZ 77	1.253,00
SZ	RWIT 7275 SZ 77	1.253,00

Termostatico incasso 3 uscite
3 ways concealed thermostat
Thermostatique à encastrer avec 3 sorties
UP-Thermostat mit 3 Wege

RWIT 7275 ZZ 40 937,00

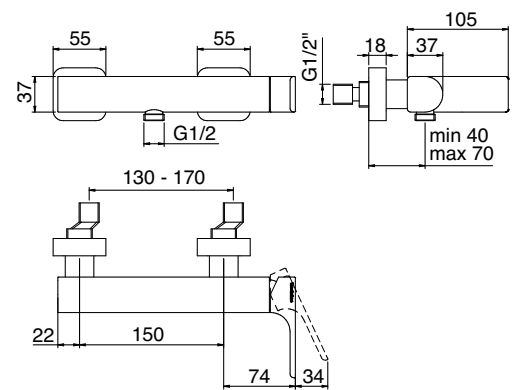
+ PARTI INCASSO - CONCEALED BODY
CORPS À ENCASTRER - UNTERPUTZTEIL





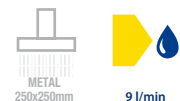
CC	IT 6A56 CC HA ZZ	352,00
NN	IT 6A56 NN HA ZZ	467,00
BB	IT 6A56 BB HA ZZ	467,00
NL	IT 6A56 NL HA ZZ	457,00
NF	IT 6A56 NF HA ZZ	457,00
KK	IT 6A56 KK HA ZZ	540,00
CZ	IT 6A56 CZ HA ZZ	540,00
HH	IT 6A56 HH HA ZZ	540,00
US	IT 6A56 US HA ZZ	540,00
UZ	IT 6A56 UZ HA ZZ	540,00
DZ	IT 6A56 DZ HA ZZ	730,00
SZ	IT 6A56 SZ HA ZZ	730,00

Miscelatore monocomando esterno doccia
Wall-mtd. shower mixer
Mitigeur douche mural
AP-Brause-Einhandbatterie

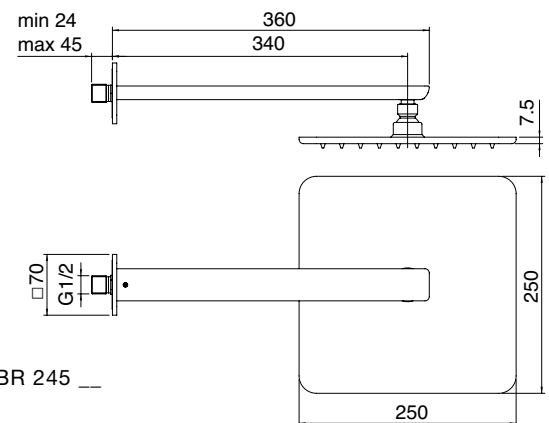


CC	RWIT 6A47 CC 01	527,00
NN*	RWIT 6A47 NN 01	700,00
BB*	RWIT 6A47 BB 01	700,00
NL*	RWIT 6A47 NL 01	684,00
NF*	RWIT 6A47 NF 01	684,00
KK*	RWIT 6A47 KK 01	810,00
CZ*	RWIT 6A47 CZ 01	810,00
HH*	RWIT 6A47 HH 01	810,00
US#	RWIT 6A47 US 01	810,00
UZ#	RWIT 6A47 UZ 01	810,00
DZ*	RWIT 6A47 DZ 01	1.094,00
SZ*	RWIT 6A47 SZ 01	1.094,00

Soffione a parete anticalcare
Anti-limescale shower-head
Douche de tête anticalcaire avec bras mural
Antikalk Kopfbrause mit Arm

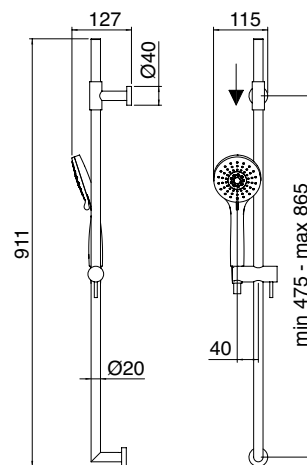


* = IT RTBR 245 __
= IT RTBR 167 __



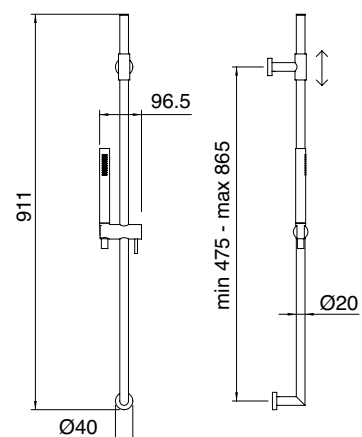
CC	IT 6595 CC ZZ ZZ	218,00
NN	IT 6595 NN ZZ ZZ	290,00
NF	IT 6595 NF ZZ ZZ	283,00

Kit saliscendi senza presa acqua
Sliding-bar kit without hose outlet
Barre coulissante sans coude mural
Gleitstange ohne Wandaschlussbogen



CC	IT 6529 CC ZZ ZZ	223,00
NN	IT 6529 NN ZZ ZZ	319,00
BB	IT 6529 BB ZZ ZZ	319,00
NL	IT 6529 NL ZZ ZZ	315,00
NF	IT 6529 NF ZZ ZZ	315,00
KK	IT 6529 KK ZZ ZZ	335,00
CZ	IT 6529 CZ ZZ ZZ	343,00
HH	IT 6529 HH ZZ ZZ	343,00
US	IT 6529 US ZZ ZZ	343,00
UZ	IT 6529 UZ ZZ ZZ	343,00
DZ	IT 6529 DZ ZZ ZZ	463,00
SZ	IT 6529 SZ ZZ ZZ	463,00

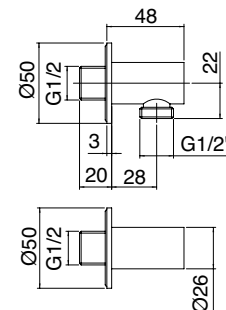
Kit saliscendi senza presa acqua
Sliding-bar kit without wall hose outlet
Barre coulissante sans coude mural
Gleitstange ohne Wandaschlussbogen





CC	IT RTGA 123 CC	25,00
NN	IT RTGA 123 NN	39,00
BB	IT RTGA 123 BB	39,00
NL	IT RTGA 123 NL	49,00
NF	IT RTGA 123 NF	49,00
KK	IT RTGA 123 KK	27,00
CZ	IT RTGA 123 CZ	27,00
HH	IT RTGA 123 HH	27,00
US	IT RTGA 123 US	27,00
UZ	IT RTGA 123 UZ	27,00
DZ	IT RTGA 123 DZ	38,00
SZ	IT RTGA 123 SZ	38,00

Presacqua a muro
Wall hose outlet
Coude mural
Wandanschlussbogen

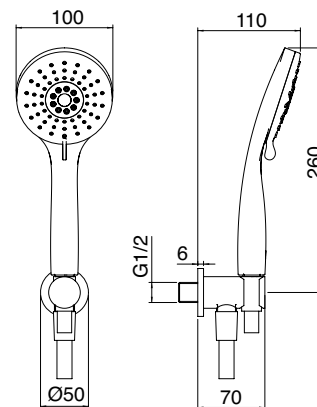


1/2 M 1/2 M



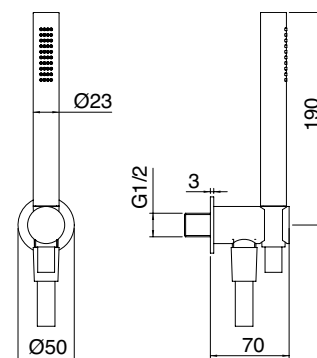
CC	RWIT 2705 CC 75	97,00
NN	RWIT 2705 NN 75	129,00
NF	RWIT 2705 NF 75	126,00

Kit gancio, flessibile, doccia
Hook, flexible and hand shower kit
Kit support, flexible et douche
Brausehalter, Schlauch und Handbrause



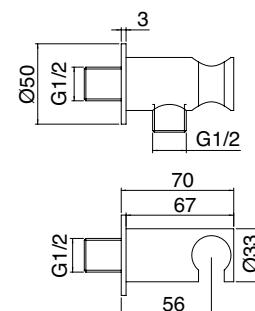
CC	RWIT 2705 CC 74	123,00
NN	RWIT 2705 NN 74	189,00
BB	RWIT 2705 BB 74	189,00
NL	RWIT 2705 NL 74	184,00
NF	RWIT 2705 NF 74	184,00
KK	RWIT 2705 KK 74	186,00
CZ	RWIT 2705 CZ 74	189,00
HH	RWIT 2705 HH 74	189,00
US	RWIT 2705 US 74	189,00
UZ	RWIT 2705 UZ 74	189,00
DZ	RWIT 2705 DZ 74	255,00
SZ	RWIT 2705 SZ 74	255,00

Kit gancio, flessibile, doccia
Hook, flexible and hand shower kit
Kit support, flexible et douche
Brausehalter, Schlauch und Handbrause



CC	IT RTGA 122 CC	55,00
NN	IT RTGA 122 NN	73,00
BB	IT RTGA 122 BB	73,00
NL	IT RTGA 122 NL	76,00
NF	IT RTGA 122 NF	76,00
KK	IT RTGA 122 KK	82,00
CZ	IT RTGA 122 CZ	84,00
HH	IT RTGA 122 HH	84,00
US	IT RTGA 122 US	84,00
UZ	IT RTGA 122 UZ	84,00
DZ	IT RTGA 122 DZ	113,00
SZ	IT RTGA 122 SZ	113,00

Presacqua con gancio fisso
Hand-shower hook with wall hose outlet
Support pour douche fixe avec coude mural
Brausehalter mit Wandanschlussbogen



1/2 M 1/2 M





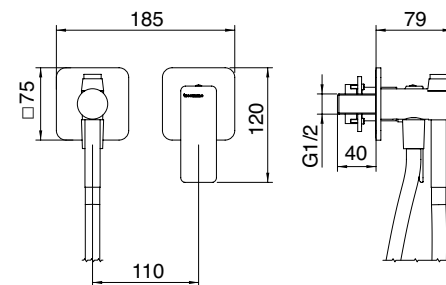
CC	RWIT 6AD4 CC 02	338,00
NN	RWIT 6AD4 NN 02	480,00
BB	RWIT 6AD4 BB 02	480,00
NL	RWIT 6AD4 NL 02	473,00
NF	RWIT 6AD4 NF 02	473,00
KK	RWIT 6AD4 KK 02	581,00
CZ	RWIT 6AD4 CZ 02	581,00
HH	RWIT 6AD4 HH 02	581,00
US	RWIT 6AD4 US 02	581,00
UZ	RWIT 6AD4 UZ 02	581,00
DZ	RWIT 6AD4 DZ 02	746,00
SZ	RWIT 6AD4 SZ 02	746,00

Miscelatore incasso con doccia per WC
 Concealed mixer with wc hand shower
 Mitigeur à encastrer avec douche WC
 U-P Mischer mit WC Handbrause



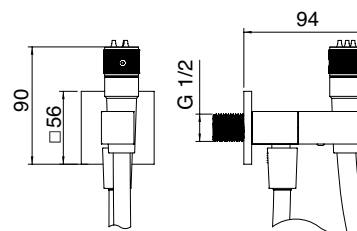
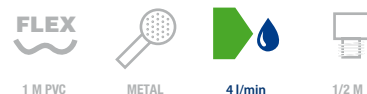
RWIT 51A5 ZZ 01 138,00

+ PARTI INCASSO - CONCEALED BODY
 CORPS À ENCASTRER - UNTERPUTZTEIL

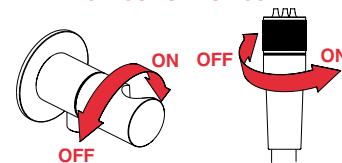


CC	RWIT 6565 CC 10	289,00
NN	RWIT 6565 NN 10	385,00
BB	RWIT 6565 BB 10	385,00
NL	RWIT 6565 NL 10	375,00
NF	RWIT 6565 NF 10	375,00
KK	RWIT 6565 KK 10	445,00
CZ	RWIT 6565 CZ 10	445,00
HH	RWIT 6565 HH 10	445,00
US	RWIT 6565 US 10	445,00
UZ	RWIT 6565 UZ 10	445,00
DZ	RWIT 6565 DZ 10	601,00
SZ	RWIT 6565 SZ 10	601,00

Idroscopino per WC
 WC hand shower set
 Douchette pour WC
 Handbrause Set für WC



INSTRUCTION FOR USE



Per ulteriori composizioni doccia vedi sezione SHOWERS & THERMOSTATICS

For other shower fittings check the SHOWERS & THERMOSTATICS section

Pour d'autres solutions douche voir section SHOWERS & THERMOSTATICS

Für weitere duschaustattungen siehe abschnitt SHOWERS & THERMOSTATICS

Pa36

design Danilo Fedeli

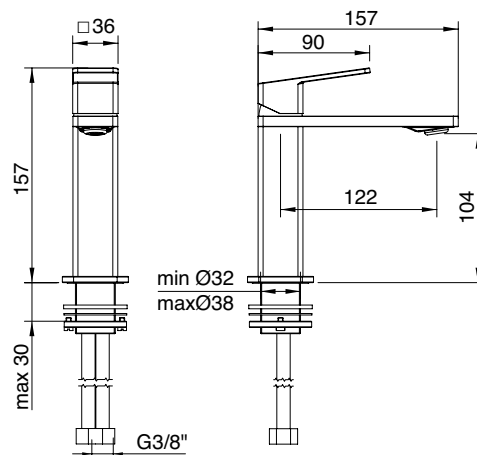


- chrome **CC**
- mat black **NN**
- mat white **BB**
- polished nickel **NL**
- brushed nickel **NF**
- polished black chrome **HH**
- brushed black chrome **CZ**
- gold **DD**
- brushed gold **DZ**
- brushed rose gold **SZ**



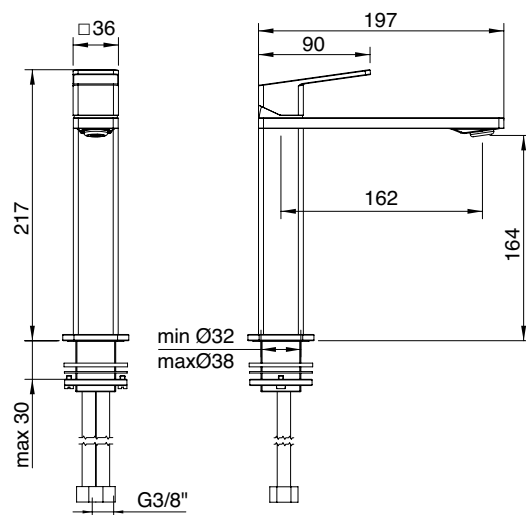
CC	IT 8B11 CC QF ZZ	267,00
NN	IT 8B11 NN QF ZZ	356,00
BB	IT 8B11 BB QF ZZ	356,00
NL	IT 8B11 NL QF ZZ	348,00
NF	IT 8B11 NF QF ZZ	348,00
HH	IT 8B11 HH QF ZZ	411,00
CZ	IT 8B11 CZ QF ZZ	411,00
DD	IT 8B11 DD QF ZZ	556,00
DZ	IT 8B11 DZ QF ZZ	556,00
SZ	IT 8B11 SZ QF ZZ	556,00

Miscelatore monocomando lavabo 104
Washbasin mixer 104
Mitigeur lavabo 104
Einhand-Waschtischmischer 104



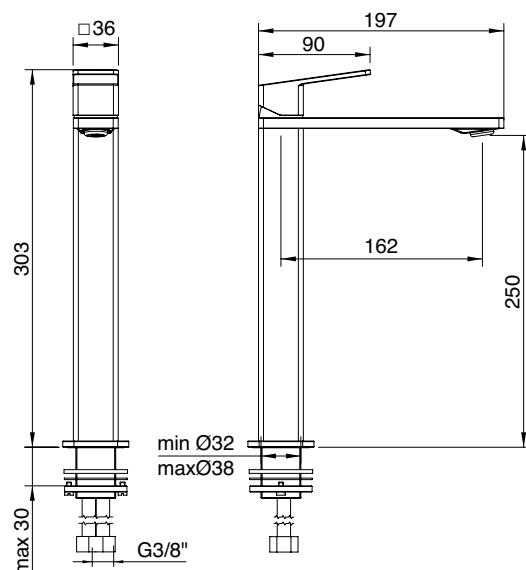
CC	IT 8B27 CC QF ZZ	315,00
NN	IT 8B27 NN QF ZZ	419,00
BB	IT 8B27 BB QF ZZ	419,00
NL	IT 8B27 NL QF ZZ	409,00
NF	IT 8B27 NF QF ZZ	409,00
HH	IT 8B27 HH QF ZZ	485,00
CZ	IT 8B27 CZ QF ZZ	485,00
DD	IT 8B27 DD QF ZZ	655,00
DZ	IT 8B27 DZ QF ZZ	655,00
SZ	IT 8B27 SZ QF ZZ	655,00

Miscelatore monocomando lavabo 164
Washbasin mixer 164
Mitigeur lavabo 164
Einhand-Waschtischmischer 164



CC	IT 8B18 CC QF ZZ	366,00
NN	IT 8B18 NN QF ZZ	488,00
BB	IT 8B18 BB QF ZZ	488,00
NL	IT 8B18 NL QF ZZ	476,00
NF	IT 8B18 NF QF ZZ	476,00
HH	IT 8B18 HH QF ZZ	564,00
CZ	IT 8B18 CZ QF ZZ	564,00
DD	IT 8B18 DD QF ZZ	762,00
DZ	IT 8B18 DZ QF ZZ	762,00
SZ	IT 8B18 SZ QF ZZ	762,00

Miscelatore monocomando lavabo 250
Washbasin mixer 250
Mitigeur lavabo 250
Einhand-Waschtischmischer 250









RAN

HASK

PA36

RAN

HASK

PA36



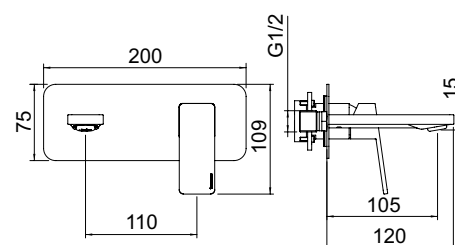
RWIT 8BC5 NF 01

CC	RWIT 8BA5 CC BC	274,00
NN	RWIT 8BA5 NN BC	390,00
BB	RWIT 8BA5 BB BC	390,00
NL	RWIT 8BA5 NL BC	385,00
NF	RWIT 8BA5 NF BC	385,00
HH	RWIT 8BA5 HH BC	472,00
CZ	RWIT 8BA5 CZ BC	472,00
DD	RWIT 8BA5 DD BC	606,00
DZ	RWIT 8BA5 DZ BC	606,00
SZ	RWIT 8BA5 SZ BC	606,00

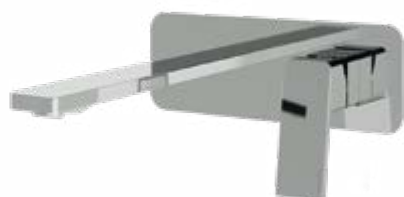


Miscelatore monocomando lavabo incasso 110
Concealed washbasin mixer 110
Mitigeur lavabo à encastrer 110
UP-Einhand-Waschtischmischer 110

RWIT 51A5 ZZ 01 138,00
+ PARTI INCASSO - CONCEALED BODY
CORPS À ENCASTRER - UNTERPUTZTEIL

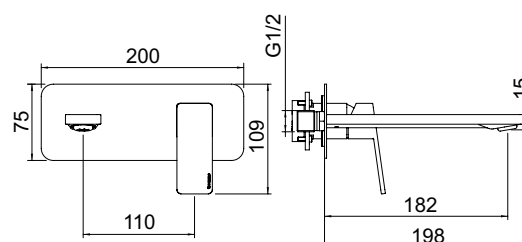


CC	RWIT 8BA5 CC 01	280,00
NN	RWIT 8BA5 NN 01	397,00
BB	RWIT 8BA5 BB 01	397,00
NL	RWIT 8BA5 NL 01	392,00
NF	RWIT 8BA5 NF 01	392,00
HH	RWIT 8BA5 HH 01	482,00
CZ	RWIT 8BA5 CZ 01	482,00
DD	RWIT 8BA5 DD 01	617,00
DZ	RWIT 8BA5 DZ 01	617,00
SZ	RWIT 8BA5 SZ 01	617,00

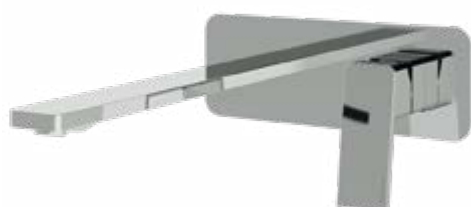


Miscelatore monocomando lavabo incasso 182
Concealed washbasin mixer 182
Mitigeur lavabo à encastrer 182
UP-Einhand-Waschtischmischer 182

RWIT 51A5 ZZ 01 138,00
+ PARTI INCASSO - CONCEALED BODY
CORPS À ENCASTRER - UNTERPUTZTEIL

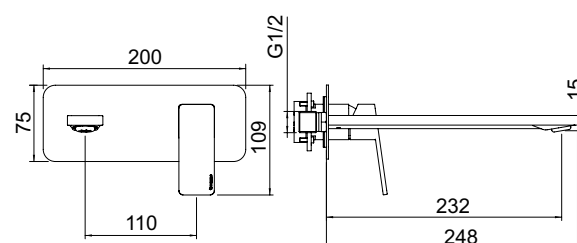


CC	RWIT 8BA6 CC 01	301,00
NN	RWIT 8BA6 NN 01	428,00
BB	RWIT 8BA6 BB 01	428,00
NL	RWIT 8BA6 NL 01	422,00
NF	RWIT 8BA6 NF 01	422,00
HH	RWIT 8BA6 HH 01	519,00
CZ	RWIT 8BA6 CZ 01	519,00
DD	RWIT 8BA6 DD 01	666,00
DZ	RWIT 8BA6 DZ 01	666,00
SZ	RWIT 8BA6 SZ 01	666,00

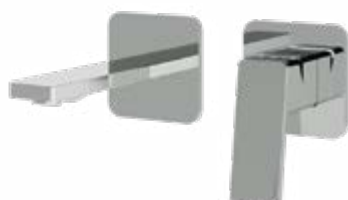


Miscelatore monocomando lavabo incasso 232
Concealed washbasin mixer 232
Mitigeur lavabo à encastrer 232
UP-Einhand-Waschtischmischer 232

RWIT 51A5 ZZ 01 138,00
+ PARTI INCASSO - CONCEALED BODY
CORPS À ENCASTRER - UNTERPUTZTEIL

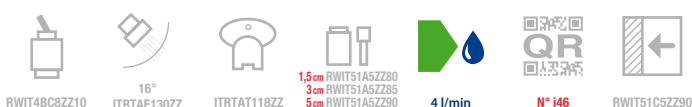
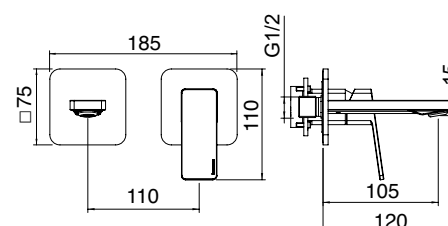


CC	RWIT 8BC5 CC BC	300,00
NN	RWIT 8BC5 NN BC	427,00
BB	RWIT 8BC5 BB BC	427,00
NL	RWIT 8BC5 NL BC	421,00
NF	RWIT 8BC5 NF BC	421,00
HH	RWIT 8BC5 HH BC	517,00
CZ	RWIT 8BC5 CZ BC	517,00
DD	RWIT 8BC5 DD BC	664,00
DZ	RWIT 8BC5 DZ BC	664,00
SZ	RWIT 8BC5 SZ BC	664,00



Miscelatore monocomando lavabo incasso 110
Concealed washbasin mixer 110
Mitigeur lavabo à encastrer 110
UP-Einhand-Waschtischmischer 110

RWIT 51A5 ZZ 01 138,00
+ PARTI INCASSO - CONCEALED BODY
CORPS À ENCASTRER - UNTERPUTZTEIL





CC
chrome



NF
brushed nickel



SZ
brushed rose gold

DZ
brushed gold

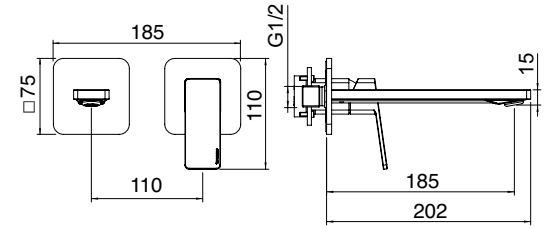
CZ
brushed black chrome



CC	RWIT 8BC5 CC 01	305,00
NN	RWIT 8BC5 NN 01	434,00
BB	RWIT 8BC5 BB 01	434,00
NL	RWIT 8BC5 NL 01	428,00
NF	RWIT 8BC5 NF 01	428,00
HH	RWIT 8BC5 HH 01	526,00
CZ	RWIT 8BC5 CZ 01	526,00
DD	RWIT 8BC5 DD 01	675,00
DZ	RWIT 8BC5 DZ 01	675,00
SZ	RWIT 8BC5 SZ 01	675,00

Miscelatore monocomando lavabo incasso 185
 Concealed washbasin mixer 185
 Mitigeur lavabo à encastrer 185
 UP-Einhand-Waschtischmischer 185

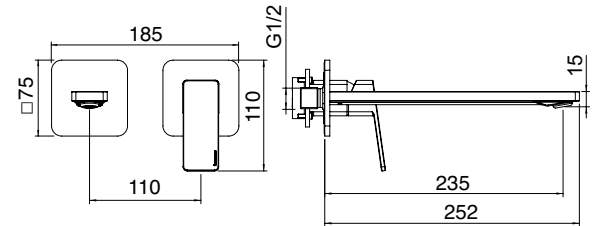
RWIT 51A5 ZZ 01 138,00
 + PARTI INCASSO - CONCEALED BODY
 CORPS À ENCASTRER - UNTERPUTZTEIL



CC	RWIT 8BC6 CC 01	340,00
NN	RWIT 8BC6 NN 01	484,00
BB	RWIT 8BC6 BB 01	484,00
NL	RWIT 8BC6 NL 01	476,00
NF	RWIT 8BC6 NF 01	476,00
HH	RWIT 8BC6 HH 01	586,00
CZ	RWIT 8BC6 CZ 01	586,00
DD	RWIT 8BC6 DD 01	752,00
DZ	RWIT 8BC6 DZ 01	752,00
SZ	RWIT 8BC6 SZ 01	752,00

Miscelatore monocomando lavabo incasso 235
 Concealed washbasin mixer 235
 Mitigeur lavabo à encastrer 235
 UP-Einhand-Waschtischmischer 235

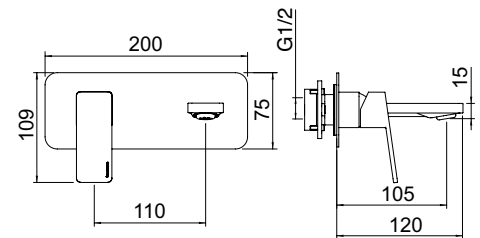
RWIT 51A5 ZZ 01 138,00
 + PARTI INCASSO - CONCEALED BODY
 CORPS À ENCASTRER - UNTERPUTZTEIL



CC	RWIT 8BA7 CC BC	274,00
NN	RWIT 8BA7 NN BC	390,00
BB	RWIT 8BA7 BB BC	390,00
NL	RWIT 8BA7 NL BC	385,00
NF	RWIT 8BA7 NF BC	385,00
HH	RWIT 8BA7 HH BC	472,00
CZ	RWIT 8BA7 CZ BC	472,00
DD	RWIT 8BA7 DD BC	606,00
DZ	RWIT 8BA7 DZ BC	606,00
SZ	RWIT 8BA7 SZ BC	606,00

Miscelatore monocomando lavabo incasso 110
 Concealed washbasin mixer 110
 Mitigeur lavabo à encastrer 110
 UP-Einhand-Waschtischmischer 110

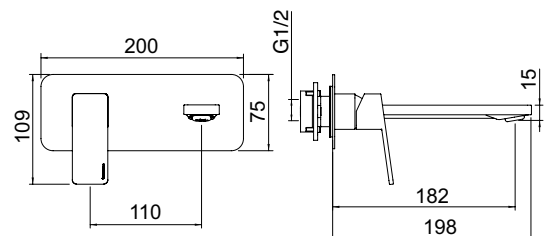
RWIT 51A5 ZZ 01 138,00
 + PARTI INCASSO - CONCEALED BODY
 CORPS À ENCASTRER - UNTERPUTZTEIL

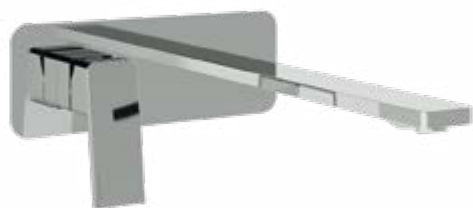


CC	RWIT 8BA7 CC 01	280,00
NN	RWIT 8BA7 NN 01	397,00
BB	RWIT 8BA7 BB 01	397,00
NL	RWIT 8BA7 NL 01	392,00
NF	RWIT 8BA7 NF 01	392,00
HH	RWIT 8BA7 HH 01	482,00
CZ	RWIT 8BA7 CZ 01	482,00
DD	RWIT 8BA7 DD 01	617,00
DZ	RWIT 8BA7 DZ 01	617,00
SZ	RWIT 8BA7 SZ 01	617,00

Miscelatore monocomando lavabo incasso 182
 Concealed washbasin mixer 182
 Mitigeur lavabo à encastrer 182
 UP-Einhand-Waschtischmischer 182

RWIT 51A5 ZZ 01 138,00
 + PARTI INCASSO - CONCEALED BODY
 CORPS À ENCASTRER - UNTERPUTZTEIL

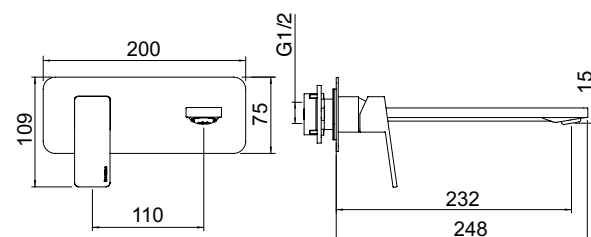




CC	RWIT 8BA9 CC 01	301,00
NN	RWIT 8BA9 NN 01	428,00
BB	RWIT 8BA9 BB 01	428,00
NL	RWIT 8BA9 NL 01	422,00
NF	RWIT 8BA9 NF 01	422,00
HH	RWIT 8BA9 HH 01	519,00
CZ	RWIT 8BA9 CZ 01	519,00
DD	RWIT 8BA9 DD 01	666,00
DZ	RWIT 8BA9 DZ 01	666,00
SZ	RWIT 8BA9 SZ 01	666,00

Miscelatore monocomando lavabo incasso 232
 Concealed washbasin mixer 232
 Mitigeur lavabo à encastrer 232
 UP-Einhand-Waschtischmischer 232

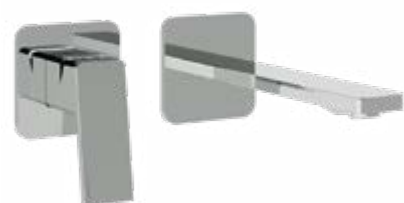
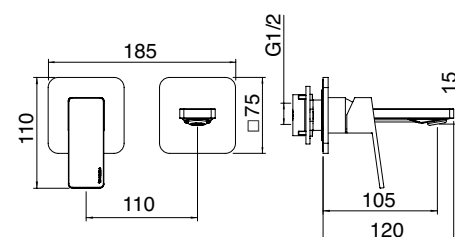
RWIT 51A5 ZZ 01 138,00
 + PARTI INCASSO - CONCEALED BODY
 CORPS À ENCASTRER - UNTERPUTZTEIL



CC	RWIT 8BC7 CC BC	300,00
NN	RWIT 8BC7 NN BC	427,00
BB	RWIT 8BC7 BB BC	427,00
NL	RWIT 8BC7 NL BC	421,00
NF	RWIT 8BC7 NF BC	421,00
HH	RWIT 8BC7 HH BC	517,00
CZ	RWIT 8BC7 CZ BC	517,00
DD	RWIT 8BC7 DD BC	664,00
DZ	RWIT 8BC7 DZ BC	664,00
SZ	RWIT 8BC7 SZ BC	664,00

Miscelatore monocomando lavabo incasso 110
 Concealed washbasin mixer 110
 Mitigeur lavabo à encastrer 110
 UP-Einhand-Waschtischmischer 110

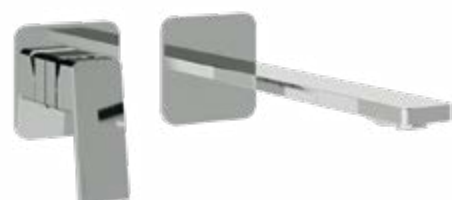
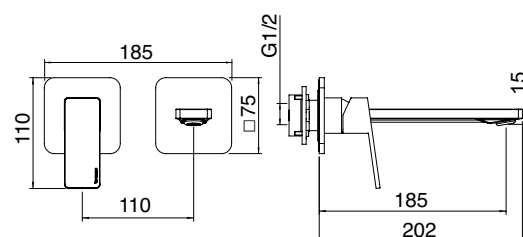
RWIT 51A5 ZZ 01 138,00
 + PARTI INCASSO - CONCEALED BODY
 CORPS À ENCASTRER - UNTERPUTZTEIL



CC	RWIT 8BC7 CC 01	305,00
NN	RWIT 8BC7 NN 01	434,00
BB	RWIT 8BC7 BB 01	434,00
NL	RWIT 8BC7 NL 01	428,00
NF	RWIT 8BC7 NF 01	428,00
HH	RWIT 8BC7 HH 01	526,00
CZ	RWIT 8BC7 CZ 01	526,00
DD	RWIT 8BC7 DD 01	675,00
DZ	RWIT 8BC7 DZ 01	675,00
SZ	RWIT 8BC7 SZ 01	675,00

Miscelatore monocomando lavabo incasso 185
 Concealed washbasin mixer 185
 Mitigeur lavabo à encastrer 185
 UP-Einhand-Waschtischmischer 185

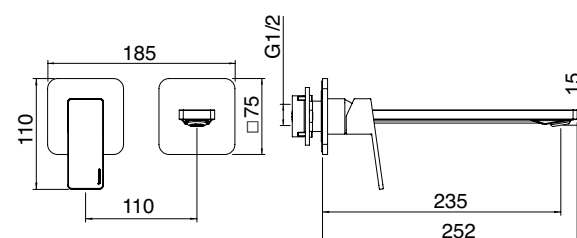
RWIT 51A5 ZZ 01 138,00
 + PARTI INCASSO - CONCEALED BODY
 CORPS À ENCASTRER - UNTERPUTZTEIL



CC	RWIT 8BC9 CC 01	340,00
NN	RWIT 8BC9 NN 01	484,00
BB	RWIT 8BC9 BB 01	484,00
NL	RWIT 8BC9 NL 01	476,00
NF	RWIT 8BC9 NF 01	476,00
HH	RWIT 8BC9 HH 01	586,00
CZ	RWIT 8BC9 CZ 01	586,00
DD	RWIT 8BC9 DD 01	752,00
DZ	RWIT 8BC9 DZ 01	752,00
SZ	RWIT 8BC9 SZ 01	752,00

Miscelatore monocomando lavabo incasso 235
 Concealed washbasin mixer 235
 Mitigeur lavabo à encastrer 235
 UP-Einhand-Waschtischmischer 235

RWIT 51A5 ZZ 01 138,00
 + PARTI INCASSO - CONCEALED BODY
 CORPS À ENCASTRER - UNTERPUTZTEIL





BB
matt white

NN
matt black



HH
matt black

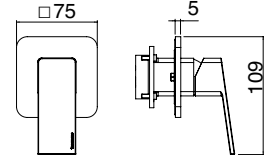
DD
gold

NL
polished nickel

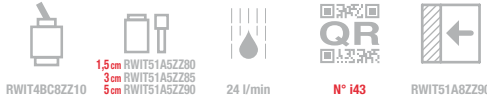


CC	RWIT 8BC8 CC 01	216,00
NN	RWIT 8BC8 NN 01	306,00
BB	RWIT 8BC8 BB 01	306,00
NL	RWIT 8BC8 NL 01	302,00
NF	RWIT 8BC8 NF 01	302,00
HH	RWIT 8BC8 HH 01	371,00
CZ	RWIT 8BC8 CZ 01	371,00
DD	RWIT 8BC8 DD 01	476,00
DZ	RWIT 8BC8 DZ 01	476,00
SZ	RWIT 8BC8 SZ 01	476,00

RWIT 51A8 ZZ 03 128,00
 + PARTI INCASSO - CONCEALED BODY
 CORPS À ENCASTRER - UNTERPUTZTEIL

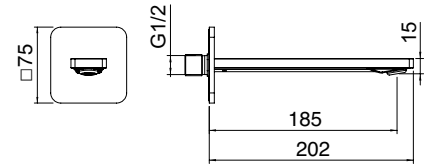


Monocomando remoto lavabo/doccia incasso
 Concealed washbasin/shower mixer
 Mitigeur lavabo/douche à encastrer
 UP-Waschtisch/Dusche Mischer



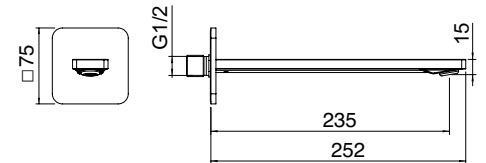
CC	IT 8B63 CC ZZ ZZ	168,00
NN	IT 8B63 NN ZZ ZZ	224,00
BB	IT 8B63 BB ZZ ZZ	224,00
NL	IT 8B63 NL ZZ ZZ	219,00
NF	IT 8B63 NF ZZ ZZ	219,00
HH	IT 8B63 HH ZZ ZZ	260,00
CZ	IT 8B63 CZ ZZ ZZ	260,00
DD	IT 8B63 DD ZZ ZZ	351,00
DZ	IT 8B63 DZ ZZ ZZ	351,00
SZ	IT 8B63 SZ ZZ ZZ	351,00

Bocca a muro 185
 Wall-mtd. spout 185
 Bec mural 185
 Wandauslauf 185



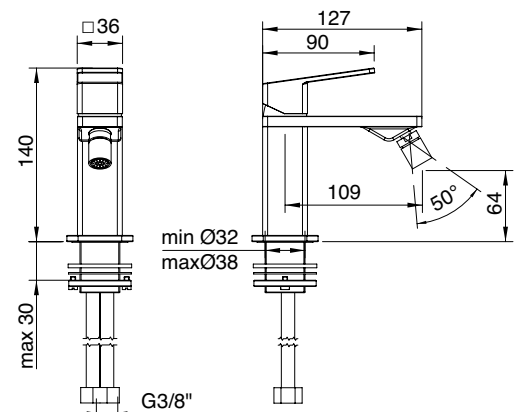
CC	IT 8B61 CC ZZ ZZ	190,00
NN	IT 8B61 NN ZZ ZZ	253,00
BB	IT 8B61 BB ZZ ZZ	253,00
NL	IT 8B61 NL ZZ ZZ	248,00
NF	IT 8B61 NF ZZ ZZ	248,00
HH	IT 8B61 HH ZZ ZZ	293,00
CZ	IT 8B61 CZ ZZ ZZ	293,00
DD	IT 8B61 DD ZZ ZZ	395,00
DZ	IT 8B61 DZ ZZ ZZ	395,00
SZ	IT 8B61 SZ ZZ ZZ	395,00

Bocca a muro 235
 Wall-mtd. spout 235
 Bec mural 235
 Wandauslauf 235



CC	IT 8B22 CC QF ZZ	289,00
NN	IT 8B22 NN QF ZZ	385,00
BB	IT 8B22 BB QF ZZ	385,00
NL	IT 8B22 NL QF ZZ	375,00
NF	IT 8B22 NF QF ZZ	375,00
HH	IT 8B22 HH QF ZZ	445,00
CZ	IT 8B22 CZ QF ZZ	445,00
DD	IT 8B22 DD QF ZZ	601,00
DZ	IT 8B22 DZ QF ZZ	601,00
SZ	IT 8B22 SZ QF ZZ	601,00

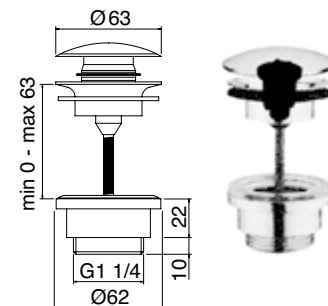
Miscelatore monocomando bidet
 Bidet mixer
 Mitigeur bidet
 Einhand-Bidetmischer





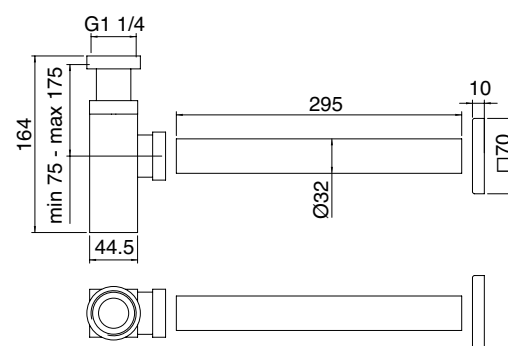
CC	IT RTSA 117 CC	28,00
NN	IT RTSA 117 NN	38,00
BB	IT RTSA 117 BB	38,00
NL	IT RTSA 117 NL	39,00
NF	IT RTSA 117 NF	39,00
HH	IT RTSA 117 HH	45,00
CZ	IT RTSA 117 CZ	45,00
DD	IT RTSA 117 DD	54,00
DZ	IT RTSA 117 DZ	59,00
SZ	IT RTSA 117 SZ	59,00

Scarico click-clack universale con inserto per sempre aperto
 Universal up/down pop-up waste with adaptor for continuous water flow
 Bonde click-clack universelle avec option écoulement libre
 Universal-Ablaufgarnitur Click-Clack mit Verschlussperre



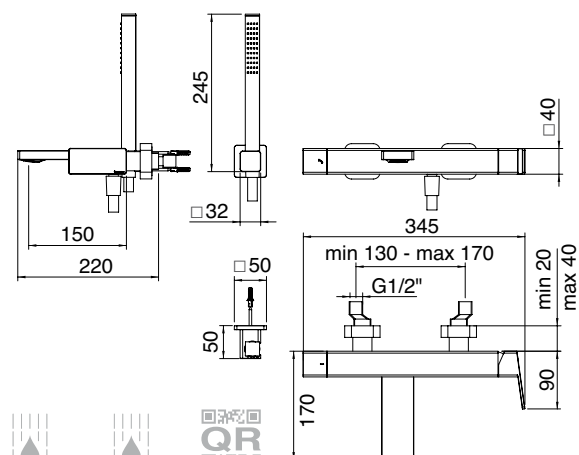
CC	IT 0465 CC ZZ ZZ	134,00
NN	IT 0465 NN ZZ ZZ	180,00
BB	IT 0465 BB ZZ ZZ	180,00
NL	IT 0465 NL ZZ ZZ	175,00
NF	IT 0465 NF ZZ ZZ	175,00
HH	IT 0465 HH ZZ ZZ	208,00
CZ	IT 0465 CZ ZZ ZZ	208,00
DD	IT 0465 DD ZZ ZZ	280,00
DZ	IT 0465 DZ ZZ ZZ	280,00
SZ	IT 0465 SZ ZZ ZZ	280,00

Sifone a vista
 Drain-trap
 Siphon
 Siphon für Waschtisch



CC	IT 8B00 CC QF ZZ	710,00
NN	IT 8B00 NN QF ZZ	945,00
BB	IT 8B00 BB QF ZZ	945,00
NL	IT 8B00 NL QF ZZ	923,00
NF	IT 8B00 NF QF ZZ	923,00
HH	IT 8B00 HH QF ZZ	1.094,00
CZ	IT 8B00 CZ QF ZZ	1.094,00
DD	IT 8B00 DD QF ZZ	1.478,00
DZ	IT 8B00 DZ QF ZZ	1.478,00
SZ	IT 8B00 SZ QF ZZ	1.478,00

Miscelatore monocomando esterno vasca
 Wall-mtd. bathtub mixer
 Mitigeur bain/douche mural
 AP-Badewannen-Einhandbatterie



 ITRTV131ZZ
  ITRTV1213ZZ
  ITRTAE126ZZ
  1,5 M PVC
  METAL
  ≈ 21 l/min
  ≈ 8 l/min
  QR
 N° 67

RAN

HASK

PA36

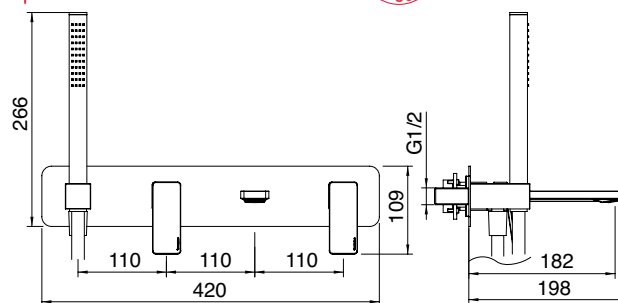




CC	RWIT 8BD7 CC 01	752,00
NN	RWIT 8BD7 NN 01	1.069,00
BB	RWIT 8BD7 BB 01	1.069,00
NL	RWIT 8BD7 NL 01	1.053,00
NF	RWIT 8BD7 NF 01	1.053,00
HH	RWIT 8BD7 HH 01	1.294,00
CZ	RWIT 8BD7 CZ 01	1.294,00
DD	RWIT 8BD7 DD 01	1.663,00
DZ	RWIT 8BD7 DZ 01	1.663,00
SZ	RWIT 8BD7 SZ 01	1.663,00

Miscelatore monocomando vasca/doccia incasso
Concealed bath/shower mixer
Mitigeur bain/douche à encastrer
Wanne / Brause EHM UP

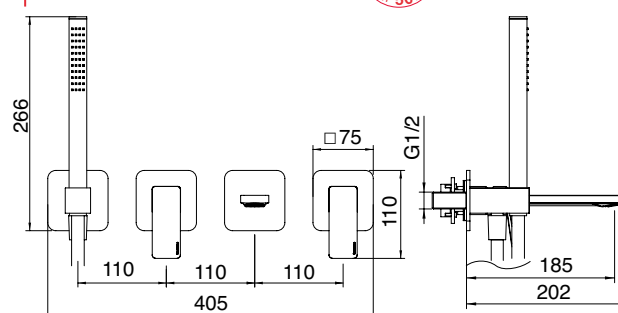
RWIT 51D7 ZZ 12 305,00
+ PARTI INCASSO - CONCEALED BODY
CORPS À ENCASTRER - UNTERPUTZTEIL



CC	RWIT 8BD8 CC 01	796,00
NN	RWIT 8BD8 NN 01	1.130,00
BB	RWIT 8BD8 BB 01	1.130,00
NL	RWIT 8BD8 NL 01	1.114,00
NF	RWIT 8BD8 NF 01	1.114,00
HH	RWIT 8BD8 HH 01	1.368,00
CZ	RWIT 8BD8 CZ 01	1.368,00
DD	RWIT 8BD8 DD 01	1.759,00
DZ	RWIT 8BD8 DZ 01	1.759,00
SZ	RWIT 8BD8 SZ 01	1.759,00

Miscelatore monocomando vasca/doccia incasso
Concealed bath/shower mixer
Mitigeur bain/douche à encastrer
Wanne / Brause EHM UP

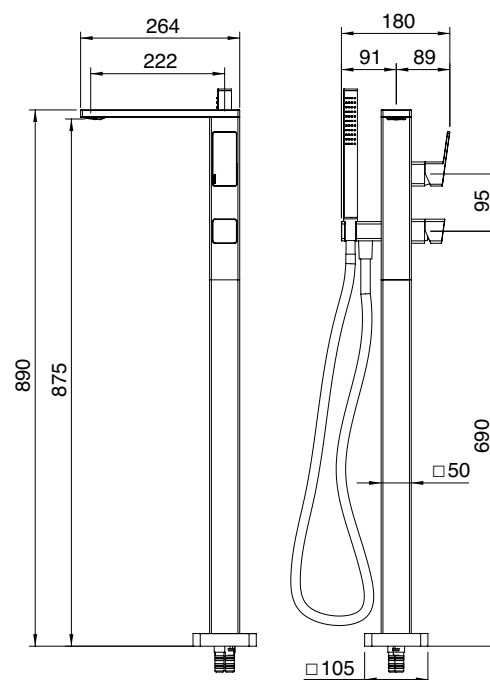
RWIT 51D7 ZZ 12 305,00
+ PARTI INCASSO - CONCEALED BODY
CORPS À ENCASTRER - UNTERPUTZTEIL



CC	RWIT 8B03 CC 01	1.597,00
NN	RWIT 8B03 NN 01	2.124,00
BB	RWIT 8B03 BB 01	2.124,00
NL	RWIT 8B03 NL 01	2.076,00
NF	RWIT 8B03 NF 01	2.076,00
HH	RWIT 8B03 HH 01	2.459,00
CZ	RWIT 8B03 CZ 01	2.459,00
DD	RWIT 8B03 DD 01	3.321,00
DZ	RWIT 8B03 DZ 01	3.321,00
SZ	RWIT 8B03 SZ 01	3.321,00

Miscelatore monocomando vasca da terra
Floor standing bath/shower mixer
Mitigeur bain douche sur colonne au sol
Einhebel - Wannenstandarmatur

RWIT 5703 ZZ 07 212,00
+ PARTI INCASSO - CONCEALED BODY
CORPS À ENCASTRER - UNTERPUTZTEIL





CC	IT 8B68 CC QF ZZ	839,00
NN	IT 8B68 NN QF ZZ	1.116,00
BB	IT 8B68 BB QF ZZ	1.116,00
NL	IT 8B68 NL QF ZZ	1.091,00
NF	IT 8B68 NF QF ZZ	1.091,00
HH	IT 8B68 HH QF ZZ	1.292,00
CZ	IT 8B68 CZ QF ZZ	1.292,00
DD	IT 8B68 DD QF ZZ	1.745,00
DZ	IT 8B68 DZ QF ZZ	1.745,00
SZ	IT 8B68 SZ QF ZZ	1.745,00

Batteria bordo vasca 4 fori con doccetta estraibile
 4 hole deck-mounted bathtub
 Mitigeur bain/douche 4 trous sur gorge
 Vierloch Wannenrandarmatur



RWIT4BC8ZZ10

ITRTAE126ZZ

1,5 M PVC

METAL



20 l/min

8 l/min

P_831

CC	IT 8B69 CC QF ZZ	560,00
NN	IT 8B69 NN QF ZZ	745,00
BB	IT 8B69 BB QF ZZ	745,00
NL	IT 8B69 NL QF ZZ	728,00
NF	IT 8B69 NF QF ZZ	728,00
HH	IT 8B69 HH QF ZZ	863,00
CZ	IT 8B69 CZ QF ZZ	863,00
DD	IT 8B69 DD QF ZZ	1.164,00
DZ	IT 8B69 DZ QF ZZ	1.164,00
SZ	IT 8B69 SZ QF ZZ	1.164,00

Batteria bordo vasca con doccetta estraibile senza bocca
 Deck-mounted bathtub without spout
 Mitigeur bain/douche sur gorge sans bec
 Wannenrandarmatur ohne Auslauf



RWIT4BC8ZZ10

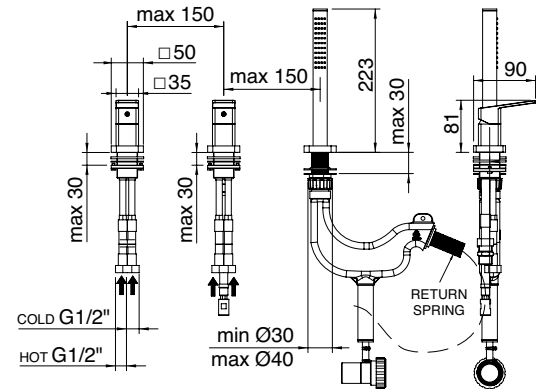
1,5 M PVC

METAL

MAX 24 l/min

8 l/min

P_831



CC	RWIT 8B06 CC 25	233,00
NN	RWIT 8B06 NN 25	311,00
BB	RWIT 8B06 BB 25	311,00
NL	RWIT 8B06 NL 25	303,00
NF	RWIT 8B06 NF 25	303,00
HH	RWIT 8B06 HH 25	360,00
CZ	RWIT 8B06 CZ 25	360,00
DD	RWIT 8B06 DD 25	486,00
DZ	RWIT 8B06 DZ 25	486,00
SZ	RWIT 8B06 SZ 25	486,00

Doccetta estraibile bordo vasca
 Deck-mounted retractable handshower
 Douchette extractible sur gorge
 Versenkbare Schlauchbrause

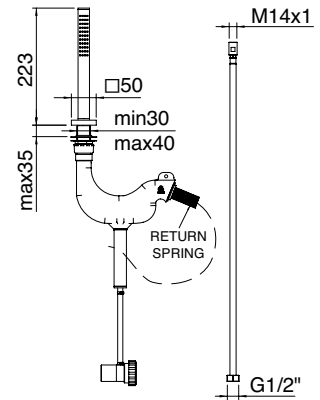


1,5 M PVC

METAL

8 l/min

P_831



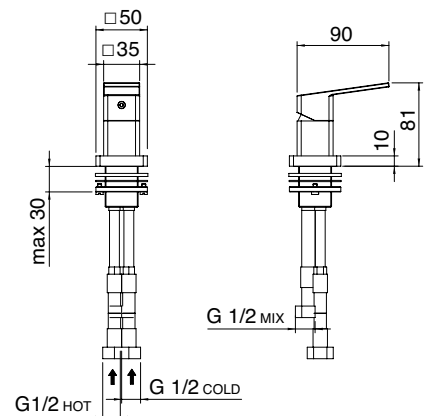
CC	RWIT 8B65 CC 01	163,00
NN	RWIT 8B65 NN 01	218,00
BB	RWIT 8B65 BB 01	218,00
NL	RWIT 8B65 NL 01	213,00
NF	RWIT 8B65 NF 01	213,00
HH	RWIT 8B65 HH 01	252,00
CZ	RWIT 8B65 CZ 01	252,00
DD	RWIT 8B65 DD 01	339,00
DZ	RWIT 8B65 DZ 01	339,00
SZ	RWIT 8B65 SZ 01	339,00

Monocomando remoto da piano per vasca
 Deck mounted control mixer
 Mitigeur lavabo seul sur gorge
 Waschtisch Einhebelmischer für separaten Auslauf



RWIT4BC8ZZ10

24 l/min



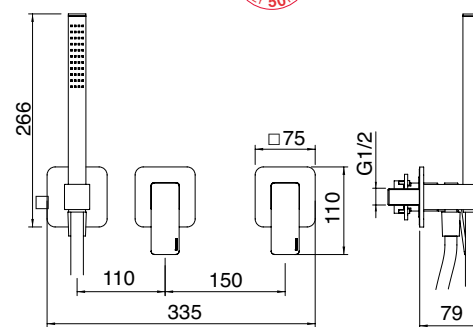


CC	RWIT 8BD9 CC 01	606,00
NN	RWIT 8BD9 NN 01	861,00
BB	RWIT 8BD9 BB 01	861,00
NL	RWIT 8BD9 NL 01	849,00
NF	RWIT 8BD9 NF 01	849,00
HH	RWIT 8BD9 HH 01	1.043,00
CZ	RWIT 8BD9 CZ 01	1.043,00
DD	RWIT 8BD9 DD 01	1.339,00
DZ	RWIT 8BD9 DZ 01	1.339,00
SZ	RWIT 8BD9 SZ 01	1.339,00

Miscelatore monocomando vasca/doccia incasso
Concealed bath/shower mixer
Mitigeur bain/douche à encastrer
Wanne / Brause EHM UP



RWIT 51D9 ZZ 01 293,00
+ PARTI INCASSO - CONCEALED BODY
CORPS À ENCASTRER - UNTERPUTZTEIL

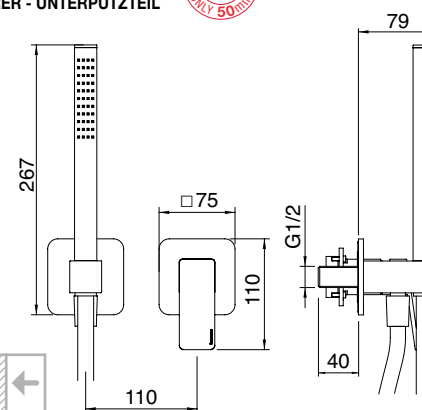


CC	RWIT 8BD4 CC 01	396,00
NN	RWIT 8BD4 NN 01	563,00
BB	RWIT 8BD4 BB 01	563,00
NL	RWIT 8BD4 NL 01	555,00
NF	RWIT 8BD4 NF 01	555,00
HH	RWIT 8BD4 HH 01	681,00
CZ	RWIT 8BD4 CZ 01	681,00
DD	RWIT 8BD4 DD 01	875,00
DZ	RWIT 8BD4 DZ 01	875,00
SZ	RWIT 8BD4 SZ 01	875,00

Miscelatore monocomando incasso doccia con doccetta
Concealed shower mixer with hand-shower
Mitigeur douche à encastrer avec douchette
Brause EHM UP mit Handbrause

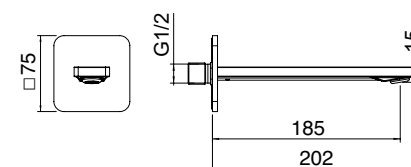


RWIT 51A5 ZZ 01 138,00
+ PARTI INCASSO - CONCEALED BODY
CORPS À ENCASTRER - UNTERPUTZTEIL



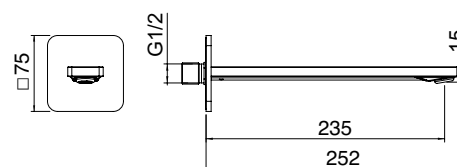
CC	IT 8B63 CC ZZ HF	168,00
NN	IT 8B63 NN ZZ HF	224,00
BB	IT 8B63 BB ZZ HF	224,00
NL	IT 8B63 NL ZZ HF	219,00
NF	IT 8B63 NF ZZ HF	219,00
HH	IT 8B63 HH ZZ HF	260,00
CZ	IT 8B63 CZ ZZ HF	260,00
DD	IT 8B63 DD ZZ HF	351,00
DZ	IT 8B63 DZ ZZ HF	351,00
SZ	IT 8B63 SZ ZZ HF	351,00

Bocca a muro per vasca 185
Wall-mtd. spout for bathtub 185
Bec mural pour baignoire 185
Wandauslauf für Badewannen 185



CC	IT 8B61 CC ZZ HF	190,00
NN	IT 8B61 NN ZZ HF	253,00
BB	IT 8B61 BB ZZ HF	253,00
NL	IT 8B61 NL ZZ HF	248,00
NF	IT 8B61 NF ZZ HF	248,00
HH	IT 8B61 HH ZZ HF	293,00
CZ	IT 8B61 CZ ZZ HF	293,00
DD	IT 8B61 DD ZZ HF	395,00
DZ	IT 8B61 DZ ZZ HF	395,00
SZ	IT 8B61 SZ ZZ HF	395,00

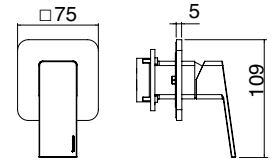
Bocca a muro per vasca 235
Wall-mtd. spout for bathtub 235
Bec mural pour baignoire 235
Wandauslauf für Badewannen 235





CC	RWIT 8BC8 CC 01	216,00
NN	RWIT 8BC8 NN 01	306,00
BB	RWIT 8BC8 BB 01	306,00
NL	RWIT 8BC8 NL 01	302,00
NF	RWIT 8BC8 NF 01	302,00
HH	RWIT 8BC8 HH 01	371,00
CZ	RWIT 8BC8 CZ 01	371,00
DD	RWIT 8BC8 DD 01	476,00
DZ	RWIT 8BC8 DZ 01	476,00
SZ	RWIT 8BC8 SZ 01	476,00

RWIT 51A8 ZZ 03 128,00
 + PARTI INCASSO - CONCEALED BODY
 CORPS À ENCASTRER - UNTERPUTZTEIL

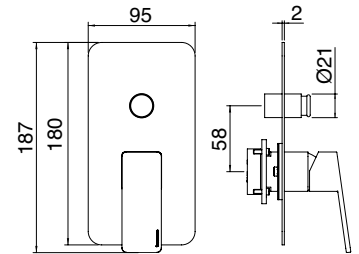


Monocomando remoto lavabo/doccia incasso
 Concealed washbasin/shower mixer
 Mitigeur lavabo/douche à encastrer
 UP-Waschtisch/Dusche Mischer



CC	RWIT 8BB1 CC 01	237,00
NN	RWIT 8BB1 NN 01	337,00
BB	RWIT 8BB1 BB 01	337,00
NL	RWIT 8BB1 NL 01	332,00
NF	RWIT 8BB1 NF 01	332,00
HH	RWIT 8BB1 HH 01	408,00
CZ	RWIT 8BB1 CZ 01	408,00
DD	RWIT 8BB1 DD 01	525,00
DZ	RWIT 8BB1 DZ 01	525,00
SZ	RWIT 8BB1 SZ 01	525,00

RWIT 51B1 ZZ 03 160,00
 + PARTI INCASSO - CONCEALED BODY
 CORPS À ENCASTRER - UNTERPUTZTEIL

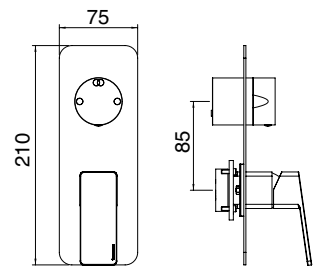


Miscelatore monocomando vasca/doccia incasso
 Concealed bath/shower mixer with diverter
 Mitigeur bain/douche à encastrer avec inverseur
 UP Wanne/Brause Einhebelmischer

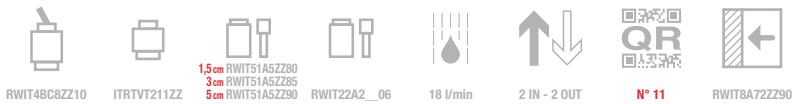



CC	RWIT 8BA2 CC 01	340,00
NN	RWIT 8BA2 NN 01	484,00
BB	RWIT 8BA2 BB 01	484,00
NL	RWIT 8BA2 NL 01	476,00
NF	RWIT 8BA2 NF 01	476,00
HH	RWIT 8BA2 HH 01	586,00
CZ	RWIT 8BA2 CZ 01	586,00
DD	RWIT 8BA2 DD 01	752,00
DZ	RWIT 8BA2 DZ 01	752,00
SZ	RWIT 8BA2 SZ 01	752,00

RWIT 22A2 ZZ 01 237,00
 + PARTI INCASSO - CONCEALED BODY
 CORPS À ENCASTRER - UNTERPUTZTEIL



Miscelatore monocomando con deviatore 2 uscite
 Concealed mixer with 2 ways diverter
 Mitigeur à encastrer avec inverseur à 2 sorties
 EHM UP mit 2 Wege Umsteller

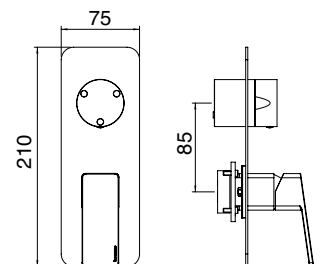


→  ← = RWIT **8BE2** __ 01

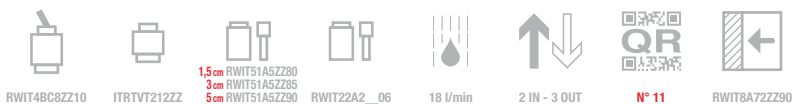



CC	RWIT 8BA3 CC 01	361,00
NN	RWIT 8BA3 NN 01	512,00
BB	RWIT 8BA3 BB 01	512,00
NL	RWIT 8BA3 NL 01	505,00
NF	RWIT 8BA3 NF 01	505,00
HH	RWIT 8BA3 HH 01	621,00
CZ	RWIT 8BA3 CZ 01	621,00
DD	RWIT 8BA3 DD 01	798,00
DZ	RWIT 8BA3 DZ 01	798,00
SZ	RWIT 8BA3 SZ 01	798,00

RWIT 22A2 ZZ 01 237,00
 + PARTI INCASSO - CONCEALED BODY
 CORPS À ENCASTRER - UNTERPUTZTEIL



Miscelatore monocomando con deviatore 3 uscite
 Concealed mixer with 3 ways diverter
 Mitigeur à encastrer avec inverseur à 3 sorties
 EHM UP mit 3 Wege Umsteller



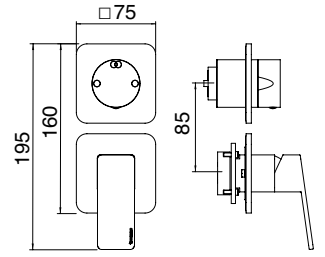
→  ← = RWIT **8BE3** __ 01





CC	RWIT 8BC2 CC 01	366,00
NN	RWIT 8BC2 NN 01	521,00
BB	RWIT 8BC2 BB 01	521,00
NL	RWIT 8BC2 NL 01	512,00
NF	RWIT 8BC2 NF 01	512,00
HH	RWIT 8BC2 HH 01	630,00
CZ	RWIT 8BC2 CZ 01	630,00
DD	RWIT 8BC2 DD 01	809,00
DZ	RWIT 8BC2 DZ 01	809,00
SZ	RWIT 8BC2 SZ 01	809,00

RWIT 22A2 ZZ 01 237,00
 + PARTI INCASSO - CONCEALED BODY
 CORPS À ENCASTRER - UNTERPUTZTEIL

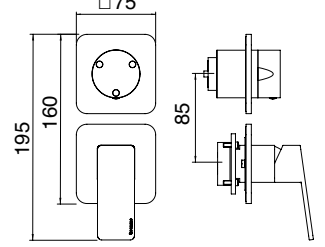


Miscelatore monocomando con deviatore 2 uscite
 Concealed mixer with 2 ways diverter
 Mitigeur à encastrer avec inverseur à 2 sorties
 EHM UP mit 2 Wege Umsteller

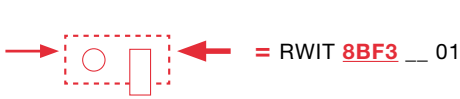


CC	RWIT 8BC3 CC 01	387,00
NN	RWIT 8BC3 NN 01	549,00
BB	RWIT 8BC3 BB 01	549,00
NL	RWIT 8BC3 NL 01	541,00
NF	RWIT 8BC3 NF 01	541,00
HH	RWIT 8BC3 HH 01	665,00
CZ	RWIT 8BC3 CZ 01	665,00
DD	RWIT 8BC3 DD 01	854,00
DZ	RWIT 8BC3 DZ 01	854,00
SZ	RWIT 8BC3 SZ 01	854,00

RWIT 22A2 ZZ 01 237,00
 + PARTI INCASSO - CONCEALED BODY
 CORPS À ENCASTRER - UNTERPUTZTEIL

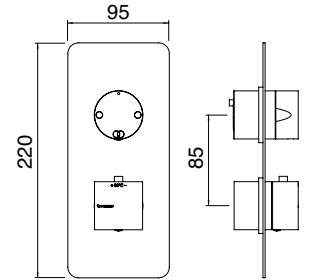


Miscelatore monocomando con deviatore 3 uscite
 Concealed mixer with 3 ways diverter
 Mitigeur à encastrer avec inverseur à 3 sorties
 EHM UP mit 3 Wege Umsteller



CC	RWIT 8A46 CC 24	270,00
NN	RWIT 8A46 NN 24	385,00
BB	RWIT 8A46 BB 24	385,00
NL	RWIT 8A46 NL 24	379,00
NF	RWIT 8A46 NF 24	379,00
HH	RWIT 8A46 HH 24	465,00
CZ	RWIT 8A46 CZ 24	465,00
DD	RWIT 8A46 DD 24	598,00
DZ	RWIT 8A46 DZ 24	598,00
SZ	RWIT 8A46 SZ 24	598,00

RWIT 8A46 ZZ 20 309,00
 + PARTI INCASSO - CONCEALED BODY
 CORPS À ENCASTRER - UNTERPUTZTEIL

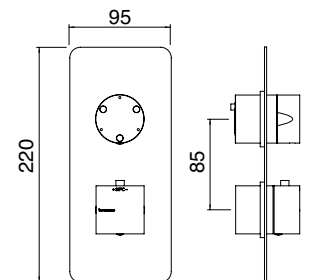


Termostatico incasso con deviatore 2 uscite
 Concealed thermostatic with 2 ways diverter
 Thermostatique à encastrer avec inverseur à 2 sorties
 UP-Thermostat mit 2 Wege Umsteller



CC	RWIT 8A72 CC 24	317,00
NN	RWIT 8A72 NN 24	450,00
BB	RWIT 8A72 BB 24	450,00
NL	RWIT 8A72 NL 24	443,00
NF	RWIT 8A72 NF 24	443,00
HH	RWIT 8A72 HH 24	545,00
CZ	RWIT 8A72 CZ 24	545,00
DD	RWIT 8A72 DD 24	700,00
DZ	RWIT 8A72 DZ 24	700,00
SZ	RWIT 8A72 SZ 24	700,00

RWIT 8A46 ZZ 20 309,00
 + PARTI INCASSO - CONCEALED BODY
 CORPS À ENCASTRER - UNTERPUTZTEIL



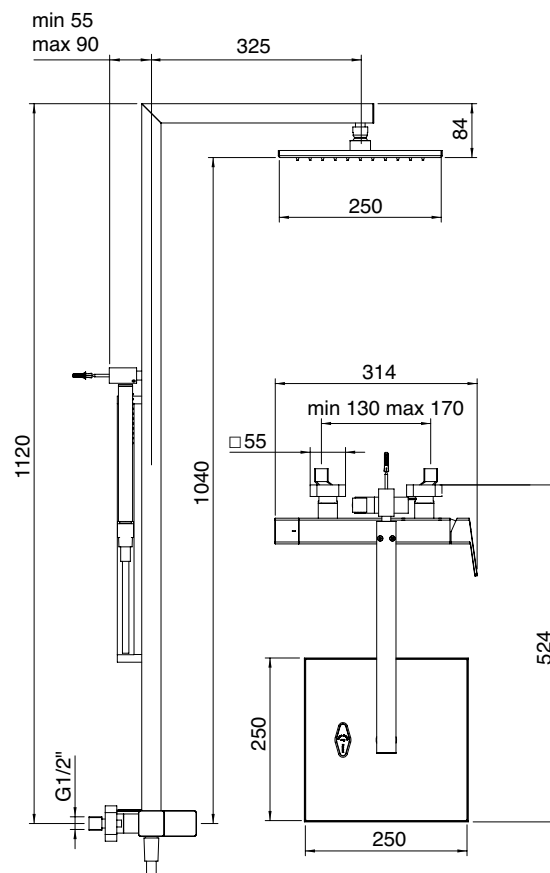
Termostatico incasso con deviatore 3 uscite
 Concealed thermostatic with 3 ways diverter
 Thermostatique à encastrer avec inverseur à 3 sorties
 UP-Thermostat mit 3 Wege Umsteller





CC	IT 8B60 CC QF ZZ	1.537,00
NN	IT 8B60 NN QF ZZ	2.045,00
BB	IT 8B60 BB QF ZZ	2.045,00
NL	IT 8B60 NL QF ZZ	1.999,00
NF	IT 8B60 NF QF ZZ	1.999,00
HH	IT 8B60 HH QF ZZ	2.367,00
CZ	IT 8B60 CZ QF ZZ	2.367,00
DD	IT 8B60 DD QF ZZ	3.198,00
DZ	IT 8B60 DZ QF ZZ	3.198,00
SZ	IT 8B60 SZ QF ZZ	3.198,00

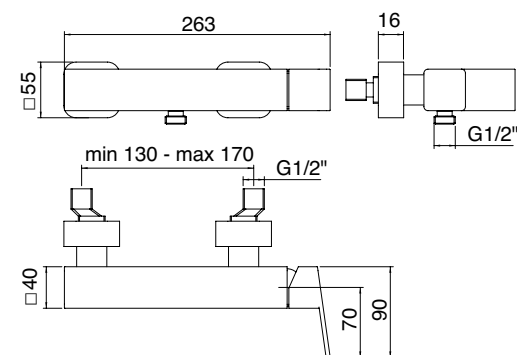
Gruppo doccia con doccetta e soffione anticalcare
 Wall-mtd. shower set, anti-limescale
 hand-shower and shower head
 Mitigeur douche mural, douchette et tête
 de douche anticalcaire
 Regenbrause-Set, Antikalk Handbrause
 und Kopfbrause



ITRTVT131ZZ ITRTVT213ZZ METAL 300 mm 1,5 M PVC METAL N° 67 9 l/min 8 l/min

CC	IT 8B56 CC QF ZZ	411,00
NN	IT 8B56 NN QF ZZ	547,00
BB	IT 8B56 BB QF ZZ	547,00
NL	IT 8B56 NL QF ZZ	535,00
NF	IT 8B56 NF QF ZZ	535,00
HH	IT 8B56 HH QF ZZ	634,00
CZ	IT 8B56 CZ QF ZZ	634,00
DD	IT 8B56 DD QF ZZ	855,00
DZ	IT 8B56 DZ QF ZZ	855,00
SZ	IT 8B56 SZ QF ZZ	855,00

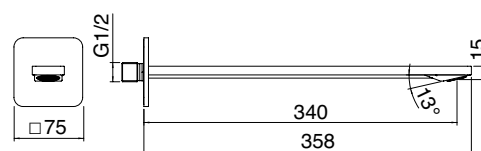
Miscelatore monocomando esterno doccia
 Wall-mtd. shower mixer
 Mitigeur douche mural
 AP-Brause-Einhandbatterie



ITRTVT131ZZ 1/2 M 1/2 M x2 14 l/min N° 67

CC	RWIT 8B47 CC 01	279,00
NN	RWIT 8B47 NN 01	371,00
BB	RWIT 8B47 BB 01	371,00
NL	RWIT 8B47 NL 01	362,00
NF	RWIT 8B47 NF 01	362,00
HH	RWIT 8B47 HH 01	429,00
CZ	RWIT 8B47 CZ 01	429,00
DD	RWIT 8B47 DD 01	579,00
DZ	RWIT 8B47 DZ 01	579,00
SZ	RWIT 8B47 SZ 01	579,00

Soffione a parete
 Wall-mtd. shower-head
 Douche de tête mural
 Wand Kopfbrause

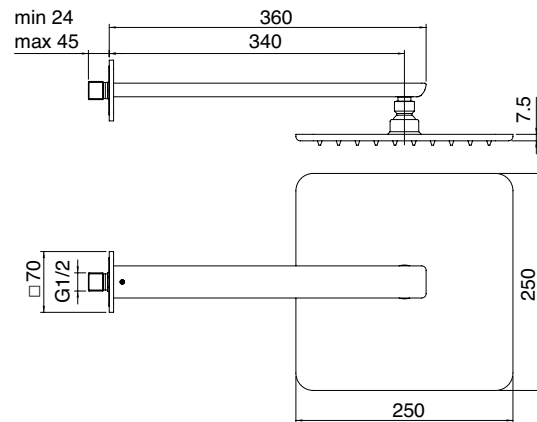


1/2\" M ITRTAT111ZZ ITRTAE180ZZ 9 l/min P_634



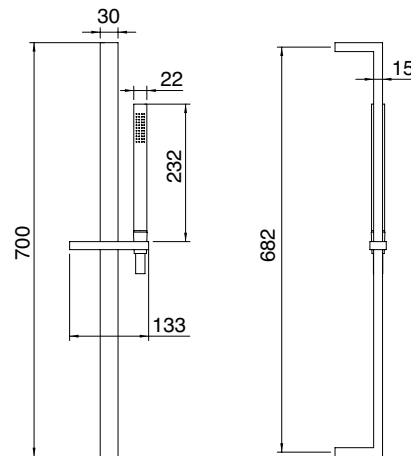
CC	RWIT 6A47 CC 01	527,00
NN*	RWIT 6A47 NN 01	700,00
BB*	RWIT 6A47 BB 01	700,00
NL*	RWIT 6A47 NL 01	684,00
NF*	RWIT 6A47 NF 01	684,00
HH*	RWIT 6A47 HH 01	810,00
CZ*	RWIT 6A47 CZ 01	810,00
DD*	RWIT 6A47 DD 01	1.094,00
DD*	RWIT 6A47 DZ 01	1.094,00
SZ *	RWIT 6A47 SZ 01	1.094,00

Soffione a parete anticalcare
Anti-limescale shower-head
Douche de tête anticalcaire avec bras mural
Antikalk Kopfbrause mit Arm



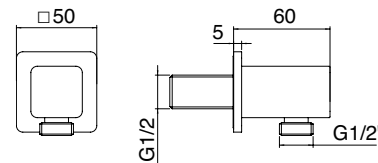
CC	IT 0411 CC ZZ ZZ	279,00
NN	IT 0411 NN ZZ ZZ	380,00
BB	IT 0411 BB ZZ ZZ	380,00
NL	IT 0411 NL ZZ ZZ	374,00
NF	IT 0411 NF ZZ ZZ	374,00
HH	IT 0411 HH ZZ ZZ	430,00
CZ	IT 0411 CZ ZZ ZZ	430,00
DD	IT 0411 DD ZZ ZZ	554,00
DZ	IT 0411 DZ ZZ ZZ	578,00
SZ	IT 0411 SZ ZZ ZZ	578,00

Kit saliscendi senza presa acqua
Sliding-bar kit without wall hose outlet
Barre coulissante sans coude mural
Gleitstange ohne Wandanschlussbogen



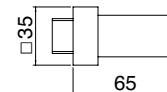
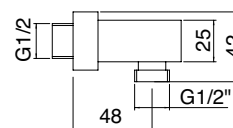
CC	RWIT 8B00 CC 20	67,00
NN	RWIT 8B00 NN 20	90,00
BB	RWIT 8B00 BB 20	90,00
NL	RWIT 8B00 NL 20	88,00
NF	RWIT 8B00 NF 20	88,00
HH	RWIT 8B00 HH 20	105,00
CZ	RWIT 8B00 CZ 20	105,00
DD	RWIT 8B00 DD 20	141,00
DZ	RWIT 8B00 DZ 20	141,00
SZ	RWIT 8B00 SZ 20	141,00

Presa acqua a muro
Wall hose outlet
Coude mural
Wandanschlussbogen



CC	IT RTGA 119 CC	39,00
NN	IT RTGA 119 NN	50,00
BB	IT RTGA 119 BB	50,00
NL	IT RTGA 119 NL	51,00
NF	IT RTGA 119 NF	51,00
HH	IT RTGA 119 HH	58,00
CZ	IT RTGA 119 CZ	58,00
DD	IT RTGA 119 DD	73,00
DZ	IT RTGA 119 DZ	79,00
SZ	IT RTGA 119 SZ	79,00

Presa acqua a muro
Wall hose outlet
Coude mural
Wandanschlussbogen

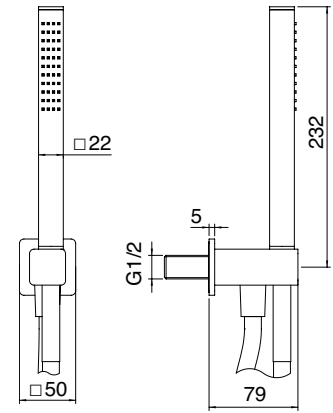






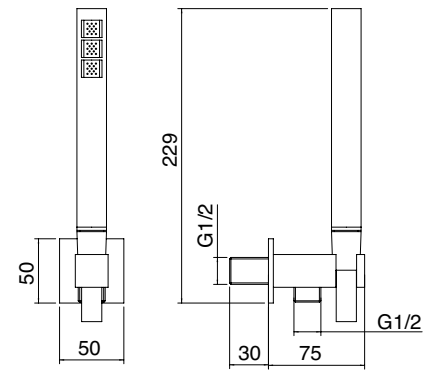
CC	RWIT 8BD8 CC 25	191,00
NN	RWIT 8BD8 NN 25	255,00
BB	RWIT 8BD8 BB 25	255,00
NL	RWIT 8BD8 NL 25	249,00
NF	RWIT 8BD8 NF 25	249,00
HH	RWIT 8BD8 HH 25	294,00
CZ	RWIT 8BD8 CZ 25	294,00
DD	RWIT 8BD8 DD 25	397,00
DZ	RWIT 8BD8 DZ 25	397,00
SZ	RWIT 8BD8 SZ 25	397,00

Kit gancio, flessibile, doccia
 Hook, flexible and hand shower kit
 Kit support, flexible et douche
 Brausehalter, Schlauch und Handbrause



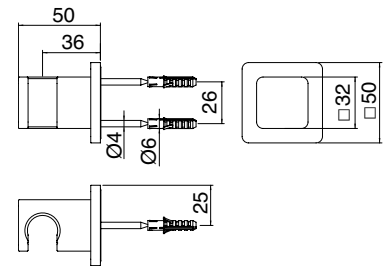
CC	RWIT 5605 CC 74	182,00
NN	RWIT 5605 NN 74	254,00
BB	RWIT 5605 BB 74	254,00
NL	RWIT 5605 NL 74	244,00
NF	RWIT 5605 NF 74	244,00
HH	RWIT 5605 HH 74	278,00
CZ	RWIT 5605 CZ 74	278,00
DD	RWIT 5605 DD 74	366,00
DZ	RWIT 5605 DZ 74	374,00
SZ	RWIT 5605 SZ 74	374,00

Kit gancio, flessibile, doccia
 Hook, flexible and hand shower kit
 Kit support, flexible et douche
 Brausehalter, Schlauch und Handbrause



CC	RWIT 8B00 CC 06	47,00
NN	RWIT 8B00 NN 06	62,00
BB	RWIT 8B00 BB 06	62,00
NL	RWIT 8B00 NL 06	61,00
NF	RWIT 8B00 NF 06	61,00
HH	RWIT 8B00 HH 06	73,00
CZ	RWIT 8B00 CZ 06	73,00
DD	RWIT 8B00 DD 06	97,00
DZ	RWIT 8B00 DZ 06	97,00
SZ	RWIT 8B00 SZ 06	97,00

Gancio fisso
 Hand-shower hook
 Support pour douche fixe
 Brausehalter

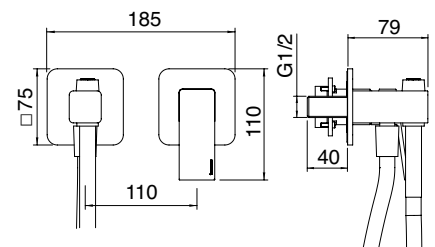


CC	RWIT 8BD4 CC 02	374,00
NN	RWIT 8BD4 NN 02	532,00
BB	RWIT 8BD4 BB 02	532,00
NL	RWIT 8BD4 NL 02	525,00
NF	RWIT 8BD4 NF 02	525,00
HH	RWIT 8BD4 HH 02	644,00
CZ	RWIT 8BD4 CZ 02	644,00
DD	RWIT 8BD4 DD 02	828,00
DZ	RWIT 8BD4 DZ 02	828,00
SZ	RWIT 8BD4 SZ 02	828,00

Miscelatore incasso con doccia per WC
 Concealed mixer with wc hand shower
 Mitigeur à encastrer avec douche WC
 U-P Mischer mit WC Handbrause



RWIT 51A5 ZZ 01 138,00
 + PARTI INCASSO - CONCEALED BODY
 CORPS À ENCASTRER - UNTERPUTZTEIL





CC	RWIT 6565 CC 10	289,00
NN	RWIT 6565 NN 10	385,00
BB	RWIT 6565 BB 10	385,00
NL	RWIT 6565 NL 10	375,00
NF	RWIT 6565 NF 10	375,00
HH	RWIT 6565 HH 10	445,00
CZ	RWIT 6565 CZ 10	445,00
DD	RWIT 6565 DD 10	601,00
DZ	RWIT 6565 DZ 10	601,00
SZ	RWIT 6565 SZ 10	601,00

Idroscopino per WC
WC hand shower set
Douchette pour WC
Handbrause Set für WC



1 M PVC



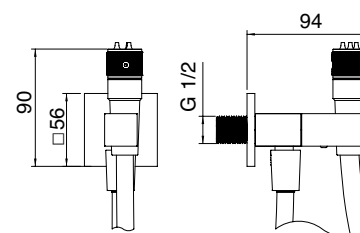
METAL



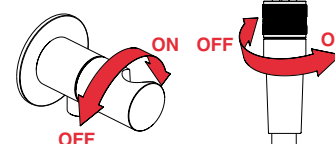
4 l/min



1/2 M



INSTRUCTION FOR USE



CC	IT RTBR 203 CC	94,00
NN	IT RTBR 203 NN	126,00
BB	IT RTBR 203 BB	126,00
NL	IT RTBR 203 NL	123,00
NF	IT RTBR 203 NF	123,00
HH	IT RTBR 203 HH	146,00
CZ	IT RTBR 203 CZ	146,00
DD	IT RTBR 203 DD	196,00
DZ	IT RTBR 203 DZ	196,00
SZ	IT RTBR 203 SZ	196,00

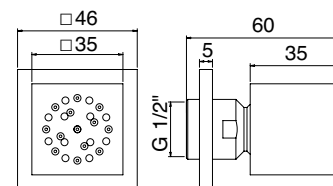
Soffione laterale
Nozzle
Buse
Düse



1/2 M



4 l/min



CC	IT RTBR 278 CC	163,00
NN	IT RTBR 278 NN	218,00
BB	IT RTBR 278 BB	218,00
NL	IT RTBR 278 NL	212,00
NF	IT RTBR 278 NF	212,00
HH	IT RTBR 278 HH	252,00
CZ	IT RTBR 278 CZ	252,00
DD	IT RTBR 278 DD	339,00
DZ	IT RTBR 278 DZ	339,00
SZ	IT RTBR 278 SZ	339,00

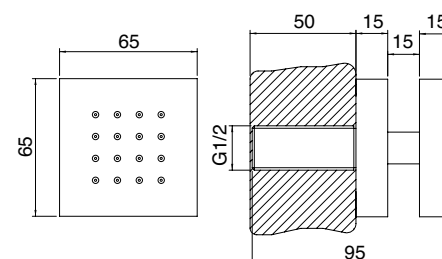
Soffione laterale
Nozzle
Buse
Düse



1/2 F



4 l/min



Per ulteriori composizioni doccia vedi sezione SHOWERS & THERMOSTATICS

For other shower fittings check the SHOWERS & THERMOSTATICS section

Pour d'autres solutions douche voir section SHOWERS & THERMOSTATICS

Für weitere duschaustattungen siehe abschnitt SHOWERS & THERMOSTATICS

Up+

design by treemme

- chrome **CC**
- matt black **NN**
- matt white **BB**
- polished nickel **NL**
- brushed nickel **NF**
- polished black chrome **HH**
- brushed black chrome **CZ**
- brushed bronze **US**
- brushed brass **UZ**
- oxidized **KK**
- gold **DD**
- brushed gold **DZ**
- brushed rose gold **SZ**



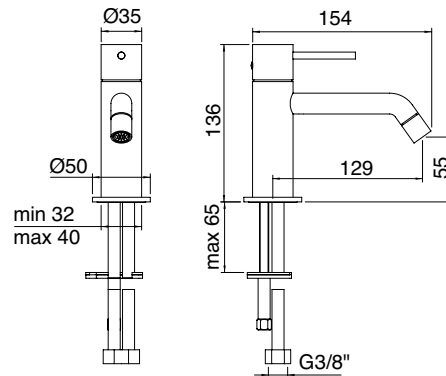


CC	IT 6B24 CC UP ZZ	169,00
NN	IT 6B24 NN UP ZZ	226,00
BB	IT 6B24 BB UP ZZ	226,00
NL	IT 6B24 NL UP ZZ	221,00
NF	IT 6B24 NF UP ZZ	221,00
HH	IT 6B24 HH UP ZZ	261,00
CZ	IT 6B24 CZ UP ZZ	261,00
US	IT 6B24 US UP ZZ	261,00
UZ	IT 6B24 UZ UP ZZ	261,00
KK	IT 6B24 KK UP ZZ	261,00
DD	IT 6B24 DD UP ZZ	353,00
DZ	IT 6B24 DZ UP ZZ	353,00
SZ	IT 6B24 SZ UP ZZ	353,00

Miscelatore monocomando lavabo 55
Washbasin mixer 55
Mitigeur lavabo 55
Einhand-Waschtischmischer 55



ITRTVT255ZZ ITRTAE110_ 6 l/min

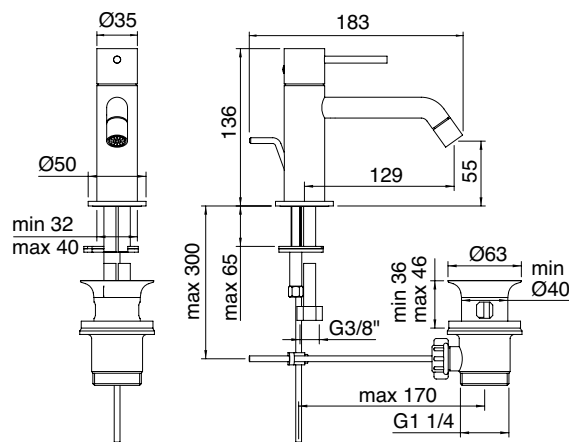


CC	IT 6B25 CC UP ZZ	184,00
NN	IT 6B25 NN UP ZZ	245,00
BB	IT 6B25 BB UP ZZ	245,00
NL	IT 6B25 NL UP ZZ	239,00
NF	IT 6B25 NF UP ZZ	239,00
HH	IT 6B25 HH UP ZZ	284,00
CZ	IT 6B25 CZ UP ZZ	284,00
US	IT 6B25 US UP ZZ	284,00
UZ	IT 6B25 UZ UP ZZ	284,00
KK	IT 6B25 KK UP ZZ	284,00
DD	IT 6B25 DD UP ZZ	383,00
DZ	IT 6B25 DZ UP ZZ	383,00
SZ	IT 6B25 SZ UP ZZ	383,00

Miscelatore monocomando lavabo 55
Washbasin mixer 55
Mitigeur lavabo 55
Einhand-Waschtischmischer 55



ITRTVT255ZZ ITRTAE110_ 6 l/min ITRTSA106_

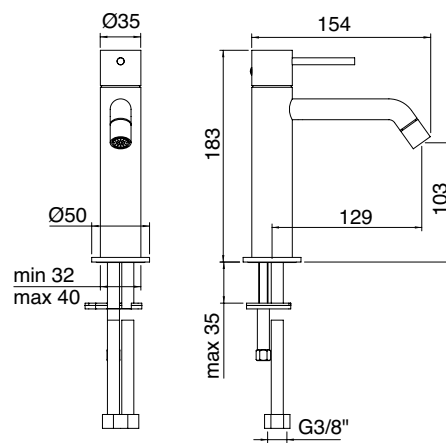


CC	IT 6B11 CC UP ZZ	182,00
NN	IT 6B11 NN UP ZZ	243,00
BB	IT 6B11 BB UP ZZ	243,00
NL	IT 6B11 NL UP ZZ	236,00
NF	IT 6B11 NF UP ZZ	236,00
HH	IT 6B11 HH UP ZZ	281,00
CZ	IT 6B11 CZ UP ZZ	281,00
US	IT 6B11 US UP ZZ	281,00
UZ	IT 6B11 UZ UP ZZ	281,00
KK	IT 6B11 KK UP ZZ	281,00
DD	IT 6B11 DD UP ZZ	379,00
DZ	IT 6B11 DZ UP ZZ	379,00
SZ	IT 6B11 SZ UP ZZ	379,00

Miscelatore monocomando lavabo 103
Washbasin mixer 103
Mitigeur lavabo 103
Einhand-Waschtischmischer 103



ITRTVT255ZZ ITRTAE110_ 6 l/min

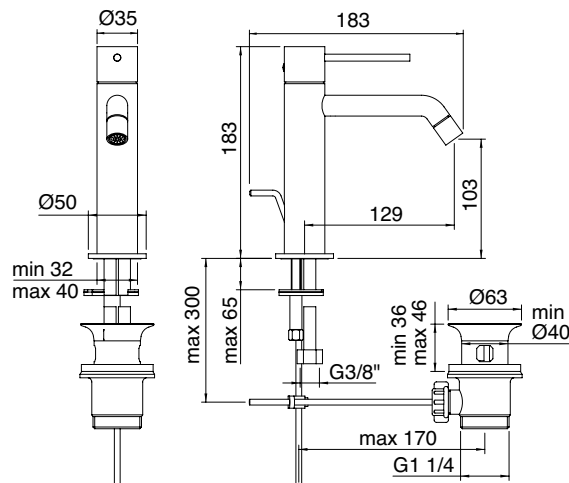


CC	IT 6B10 CC UP ZZ	196,00
NN	IT 6B10 NN UP ZZ	261,00
BB	IT 6B10 BB UP ZZ	261,00
NL	IT 6B10 NL UP ZZ	255,00
NF	IT 6B10 NF UP ZZ	255,00
HH	IT 6B10 HH UP ZZ	302,00
CZ	IT 6B10 CZ UP ZZ	302,00
US	IT 6B10 US UP ZZ	302,00
UZ	IT 6B10 UZ UP ZZ	302,00
KK	IT 6B10 KK UP ZZ	302,00
DD	IT 6B10 DD UP ZZ	408,00
DZ	IT 6B10 DZ UP ZZ	408,00
SZ	IT 6B10 SZ UP ZZ	408,00

Miscelatore monocomando lavabo 103
Washbasin mixer 103
Mitigeur lavabo 103
Einhand-Waschtischmischer 103



ITRTVT255ZZ ITRTAE110_ 6 l/min ITRTSA106_





RAN

HASK

PA36

UP+



KK
oxidized



BB
matt white



HH
polished black chrome



NN
matt black



NL
polished nickel



CZ
brushed black chrome

RAN

HASK

PA36

UP+



IT 6B27 HH UP ZZ

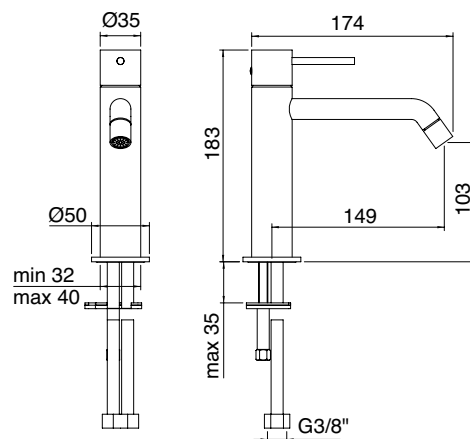


CC	IT 6B11 CC UP CL	186,00
NN	IT 6B11 NN UP CL	248,00
BB	IT 6B11 BB UP CL	248,00
NL	IT 6B11 NL UP CL	242,00
NF	IT 6B11 NF UP CL	242,00
HH	IT 6B11 HH UP CL	287,00
CZ	IT 6B11 CZ UP CL	287,00
US	IT 6B11 US UP CL	287,00
UZ	IT 6B11 UZ UP CL	287,00
KK	IT 6B11 KK UP CL	287,00
DD	IT 6B11 DD UP CL	387,00
DZ	IT 6B11 DZ UP CL	387,00
SZ	IT 6B11 SZ UP CL	387,00

Miscelatore monocomando lavabo 103
Washbasin mixer 103
Mitigeur lavabo 103
Einhand-Waschtischmischer 103



ITRTVT255ZZ ITRTAE110_ 6 l/min

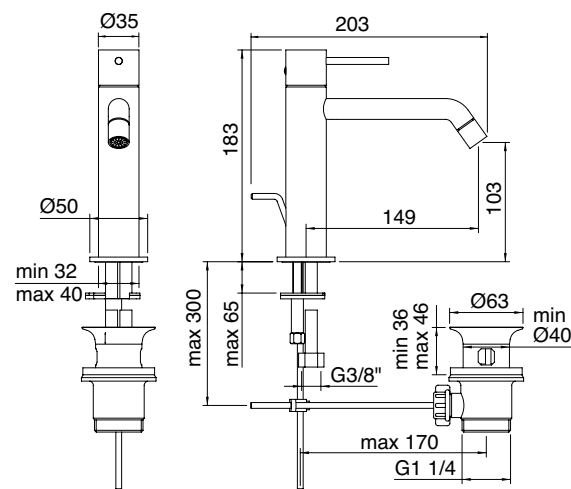


CC	IT 6B10 CC UP CL	200,00
NN	IT 6B10 NN UP CL	267,00
BB	IT 6B10 BB UP CL	267,00
NL	IT 6B10 NL UP CL	261,00
NF	IT 6B10 NF UP CL	261,00
HH	IT 6B10 HH UP CL	308,00
CZ	IT 6B10 CZ UP CL	308,00
US	IT 6B10 US UP CL	308,00
UZ	IT 6B10 UZ UP CL	308,00
KK	IT 6B10 KK UP CL	308,00
DD	IT 6B10 DD UP CL	417,00
DZ	IT 6B10 DZ UP CL	417,00
SZ	IT 6B10 SZ UP CL	417,00

Miscelatore monocomando lavabo 103
Washbasin mixer 103
Mitigeur lavabo 103
Einhand-Waschtischmischer 103



ITRTVT255ZZ ITRTAE110_ 6 l/min ITRTSA106_

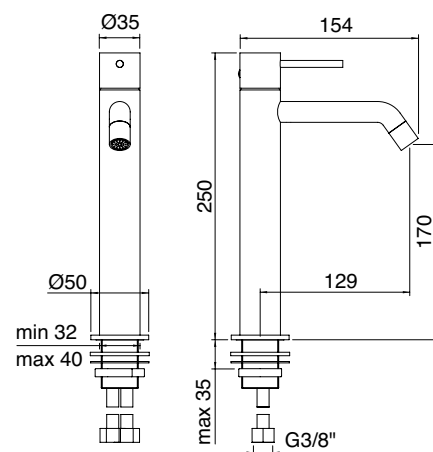


CC	IT 6B27 CC UP ZZ	216,00
NN	IT 6B27 NN UP ZZ	287,00
BB	IT 6B27 BB UP ZZ	287,00
NL	IT 6B27 NL UP ZZ	281,00
NF	IT 6B27 NF UP ZZ	281,00
HH	IT 6B27 HH UP ZZ	332,00
CZ	IT 6B27 CZ UP ZZ	332,00
US	IT 6B27 US UP ZZ	332,00
UZ	IT 6B27 UZ UP ZZ	332,00
KK	IT 6B27 KK UP ZZ	332,00
DD	IT 6B27 DD UP ZZ	449,00
DZ	IT 6B27 DZ UP ZZ	449,00
SZ	IT 6B27 SZ UP ZZ	449,00

Miscelatore monocomando lavabo 170
Washbasin mixer 170
Mitigeur lavabo 170
Einhand-Waschtischmischer 170



ITRTVT255ZZ ITRTAE110_ 6 l/min

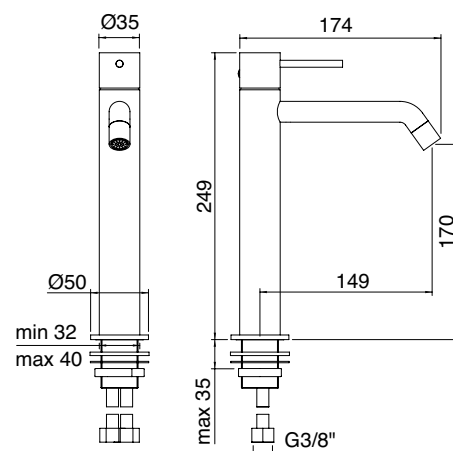


CC	IT 6B27 CC UP CL	220,00
NN	IT 6B27 NN UP CL	293,00
BB	IT 6B27 BB UP CL	293,00
NL	IT 6B27 NL UP CL	286,00
NF	IT 6B27 NF UP CL	286,00
HH	IT 6B27 HH UP CL	339,00
CZ	IT 6B27 CZ UP CL	339,00
US	IT 6B27 US UP CL	339,00
UZ	IT 6B27 UZ UP CL	339,00
KK	IT 6B27 KK UP CL	339,00
DD	IT 6B27 DD UP CL	458,00
DZ	IT 6B27 DZ UP CL	458,00
SZ	IT 6B27 SZ UP CL	458,00

Miscelatore monocomando lavabo 170
Washbasin mixer 170
Mitigeur lavabo 170
Einhand-Waschtischmischer 170



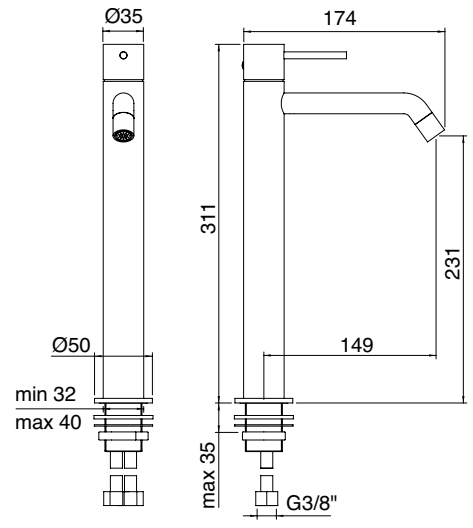
ITRTVT255ZZ ITRTAE110_ 6 l/min





CC	IT 6B18 CC UP ZZ	247,00
NN	IT 6B18 NN UP ZZ	328,00
BB	IT 6B18 BB UP ZZ	328,00
NL	IT 6B18 NL UP ZZ	321,00
NF	IT 6B18 NF UP ZZ	321,00
HH	IT 6B18 HH UP ZZ	381,00
CZ	IT 6B18 CZ UP ZZ	381,00
US	IT 6B18 US UP ZZ	381,00
UZ	IT 6B18 UZ UP ZZ	381,00
KK	IT 6B18 KK UP ZZ	381,00
DD	IT 6B18 DD UP ZZ	513,00
DZ	IT 6B18 DZ UP ZZ	513,00
SZ	IT 6B18 SZ UP ZZ	513,00

Miscelatore monocomando lavabo 231
 Washbasin mixer 231
 Mitigeur lavabo 231
 Einhand-Waschtischmischer 231

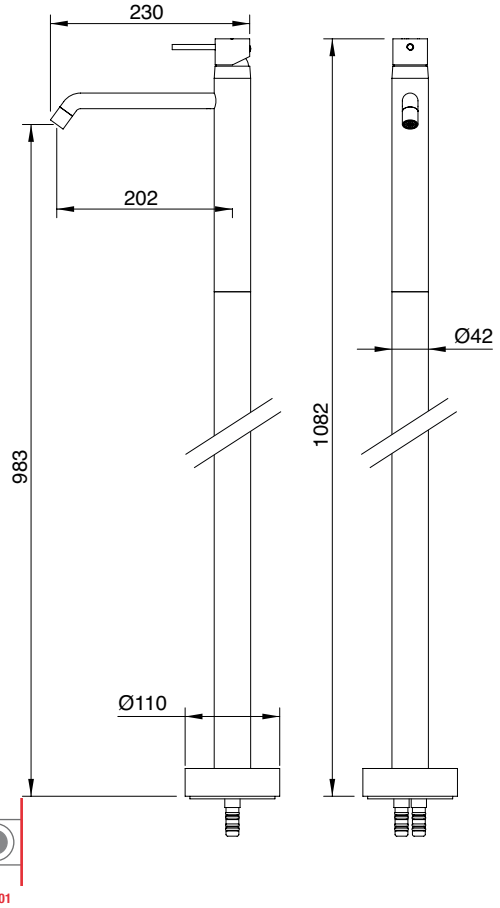


CC	RWIT 5714 CC 01	613,00
NN	RWIT 5714 NN 01	842,00
BB	RWIT 5714 BB 01	842,00
NL	RWIT 5714 NL 01	883,00
NF	RWIT 5714 NF 01	883,00
HH	RWIT 5714 HH 01	945,00
CZ	RWIT 5714 CZ 01	945,00
US	RWIT 5714 US 01	945,00
UZ	RWIT 5714 UZ 01	945,00
KK	RWIT 5714 KK 01	1.018,00
DD	RWIT 5714 DD 01	1.276,00
DZ	RWIT 5714 DZ 01	1.276,00
SZ	RWIT 5714 SZ 01	1.276,00

Miscelatore monocomando lavabo da terra
 Floor standing washbasin mixer
 Mitigeur lavabo sur colonne au sol
 Waschtisch-Einhebelmischer Standarmatur

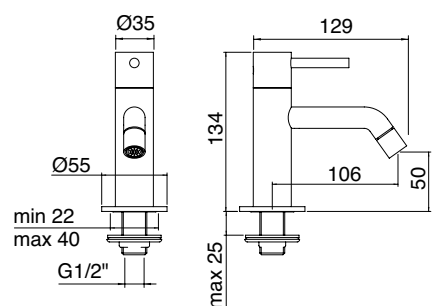


RWIT 5703 ZZ 07 212,00
 + PARTI INCASSO - CONCEALED BODY
 CORPS À ENCASTRER - UNTERPUTZTEIL



CC	IT 6B19 CC UP ZZ	129,00
NN	IT 6B19 NN UP ZZ	171,00
BB	IT 6B19 BB UP ZZ	171,00
NL	IT 6B19 NL UP ZZ	168,00
NF	IT 6B19 NF UP ZZ	168,00
HH	IT 6B19 HH UP ZZ	198,00
CZ	IT 6B19 CZ UP ZZ	198,00
US	IT 6B19 US UP ZZ	198,00
UZ	IT 6B19 UZ UP ZZ	198,00
KK	IT 6B19 KK UP ZZ	198,00
DD	IT 6B19 DD UP ZZ	268,00
DZ	IT 6B19 DZ UP ZZ	268,00
SZ	IT 6B19 SZ UP ZZ	268,00

Rubinetto acqua fredda
 Cold water tap
 Robinet eau froide
 Kalt- Wasser Standarmatur

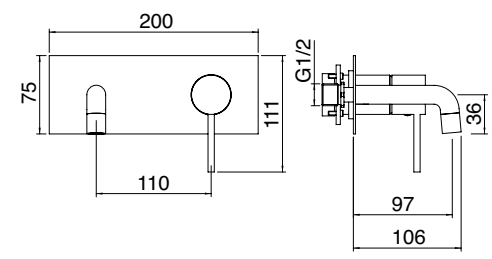




CC	RWIT 6BA5 CC BC	200,00
NN	RWIT 6BA5 NN BC	285,00
BB	RWIT 6BA5 BB BC	285,00
NL	RWIT 6BA5 NL BC	281,00
NF	RWIT 6BA5 NF BC	281,00
HH	RWIT 6BA5 HH BC	345,00
CZ	RWIT 6BA5 CZ BC	345,00
US	RWIT 6BA5 US BC	345,00
UZ	RWIT 6BA5 UZ BC	345,00
KK	RWIT 6BA5 KK BC	345,00
DD	RWIT 6BA5 DD BC	442,00
DZ	RWIT 6BA5 DZ BC	442,00
SZ	RWIT 6BA5 SZ BC	442,00

Miscelatore monocomando lavabo incasso 97
 Concealed washbasin mixer 97
 Mitigeur lavabo à encastrer 97
 UP-Einhand-Waschtischmischer 97

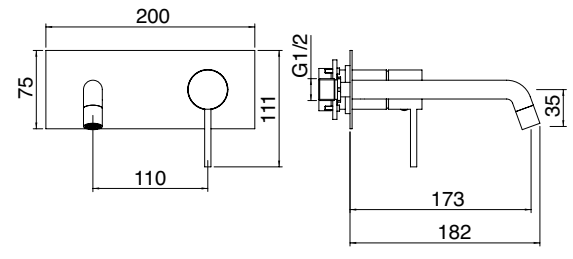
RWIT 51A5 ZZ 01 138,00
 + **PARTI INCASSO - CONCEALED BODY**
CORPS À ENCASTRER - UNTERPUTZTEIL **P_790**



CC	RWIT 6BA5 CC 01	205,00
NN	RWIT 6BA5 NN 01	292,00
BB	RWIT 6BA5 BB 01	292,00
NL	RWIT 6BA5 NL 01	288,00
NF	RWIT 6BA5 NF 01	288,00
HH	RWIT 6BA5 HH 01	354,00
CZ	RWIT 6BA5 CZ 01	354,00
US	RWIT 6BA5 US 01	354,00
UZ	RWIT 6BA5 UZ 01	354,00
KK	RWIT 6BA5 KK 01	354,00
DD	RWIT 6BA5 DD 01	454,00
DZ	RWIT 6BA5 DZ 01	454,00
SZ	RWIT 6BA5 SZ 01	454,00

Miscelatore monocomando lavabo incasso 173
 Concealed washbasin mixer 173
 Mitigeur lavabo à encastrer 173
 UP-Einhand-Waschtischmischer 173

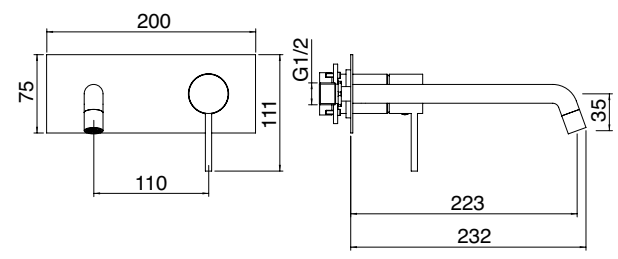
RWIT 51A5 ZZ 01 138,00
 + **PARTI INCASSO - CONCEALED BODY**
CORPS À ENCASTRER - UNTERPUTZTEIL **P_790**



CC	RWIT 6BA6 CC 01	226,00
NN	RWIT 6BA6 NN 01	321,00
BB	RWIT 6BA6 BB 01	321,00
NL	RWIT 6BA6 NL 01	317,00
NF	RWIT 6BA6 NF 01	317,00
HH	RWIT 6BA6 HH 01	389,00
CZ	RWIT 6BA6 CZ 01	389,00
US	RWIT 6BA6 US 01	389,00
UZ	RWIT 6BA6 UZ 01	389,00
KK	RWIT 6BA6 KK 01	389,00
DD	RWIT 6BA6 DD 01	499,00
DZ	RWIT 6BA6 DZ 01	499,00
SZ	RWIT 6BA6 SZ 01	499,00

Miscelatore monocomando lavabo incasso 223
 Concealed washbasin mixer 223
 Mitigeur lavabo à encastrer 223
 UP-Einhand-Waschtischmischer 223

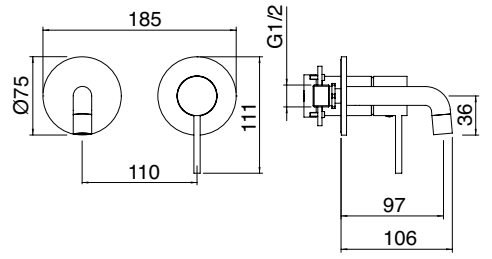
RWIT 51A5 ZZ 01 138,00
 + **PARTI INCASSO - CONCEALED BODY**
CORPS À ENCASTRER - UNTERPUTZTEIL **P_790**



CC	RWIT 6BC5 CC BC	221,00
NN	RWIT 6BC5 NN BC	314,00
BB	RWIT 6BC5 BB BC	314,00
NL	RWIT 6BC5 NL BC	309,00
NF	RWIT 6BC5 NF BC	309,00
HH	RWIT 6BC5 HH BC	381,00
CZ	RWIT 6BC5 CZ BC	381,00
US	RWIT 6BC5 US BC	381,00
UZ	RWIT 6BC5 UZ BC	381,00
KK	RWIT 6BC5 KK BC	381,00
DD	RWIT 6BC5 DD BC	488,00
DZ	RWIT 6BC5 DZ BC	488,00
SZ	RWIT 6BC5 SZ BC	488,00

Miscelatore monocomando lavabo incasso 97
 Concealed washbasin mixer 97
 Mitigeur lavabo à encastrer 97
 UP-Einhand-Waschtischmischer 97

RWIT 51A5 ZZ 01 138,00
 + **PARTI INCASSO - CONCEALED BODY**
CORPS À ENCASTRER - UNTERPUTZTEIL **P_790**



RAN

HASK

PA36

UP+



DZ
brushed gold



CC
chrome



US
brushed bronze



NF
brushed nickel



SZ
brushed rose gold

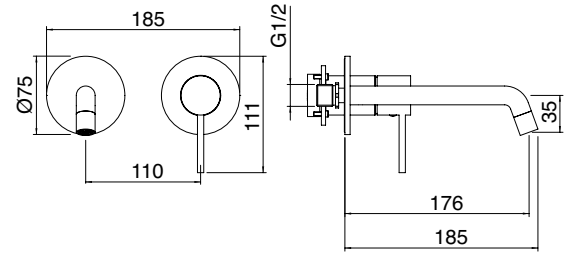


CC	RWIT 6BC5 CC 01	226,00
NN	RWIT 6BC5 NN 01	321,00
BB	RWIT 6BC5 BB 01	321,00
NL	RWIT 6BC5 NL 01	317,00
NF	RWIT 6BC5 NF 01	317,00
HH	RWIT 6BC5 HH 01	389,00
CZ	RWIT 6BC5 CZ 01	389,00
US	RWIT 6BC5 US 01	389,00
UZ	RWIT 6BC5 UZ 01	389,00
KK	RWIT 6BC5 KK 01	389,00
DD	RWIT 6BC5 DD 01	499,00
DZ	RWIT 6BC5 DZ 01	499,00
SZ	RWIT 6BC5 SZ 01	499,00

Miscelatore monocomando lavabo incasso 176
 Concealed washbasin mixer 176
 Mitigeur lavabo à encastrer 176
 UP-Einhand-Waschtischmischer 176



RWIT 51A5 ZZ 01 138,00
 + PARTI INCASSO - CONCEALED BODY
 CORPS À ENCASTRER - UNTERPUTZTEIL

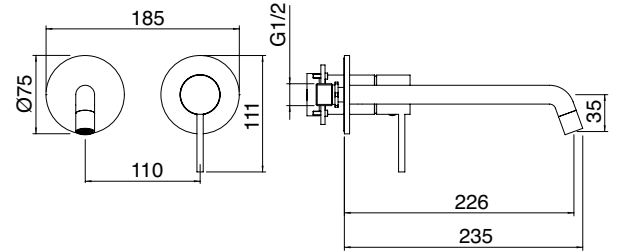


CC	RWIT 6BC6 CC 01	249,00
NN	RWIT 6BC6 NN 01	354,00
BB	RWIT 6BC6 BB 01	354,00
NL	RWIT 6BC6 NL 01	349,00
NF	RWIT 6BC6 NF 01	349,00
HH	RWIT 6BC6 HH 01	428,00
CZ	RWIT 6BC6 CZ 01	428,00
US	RWIT 6BC6 US 01	428,00
UZ	RWIT 6BC6 UZ 01	428,00
KK	RWIT 6BC6 KK 01	428,00
DD	RWIT 6BC6 DD 01	549,00
DZ	RWIT 6BC6 DZ 01	549,00
SZ	RWIT 6BC6 SZ 01	549,00

Miscelatore monocomando lavabo incasso 226
 Concealed washbasin mixer 226
 Mitigeur lavabo à encastrer 226
 UP-Einhand-Waschtischmischer 226



RWIT 51A5 ZZ 01 138,00
 + PARTI INCASSO - CONCEALED BODY
 CORPS À ENCASTRER - UNTERPUTZTEIL

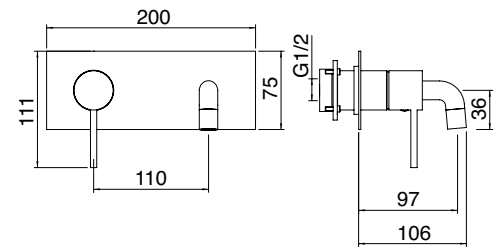


CC	RWIT 6BA7 CC BC	200,00
NN	RWIT 6BA7 NN BC	285,00
BB	RWIT 6BA7 BB BC	285,00
NL	RWIT 6BA7 NL BC	281,00
NF	RWIT 6BA7 NF BC	281,00
HH	RWIT 6BA7 HH BC	345,00
CZ	RWIT 6BA7 CZ BC	345,00
US	RWIT 6BA7 US BC	345,00
UZ	RWIT 6BA7 UZ BC	345,00
KK	RWIT 6BA7 KK BC	345,00
DD	RWIT 6BA7 DD BC	442,00
DZ	RWIT 6BA7 DZ BC	442,00
SZ	RWIT 6BA7 SZ BC	442,00

Miscelatore monocomando lavabo incasso 97
 Concealed washbasin mixer 97
 Mitigeur lavabo à encastrer 97
 UP-Einhand-Waschtischmischer 97



RWIT 51A5 ZZ 01 138,00
 + PARTI INCASSO - CONCEALED BODY
 CORPS À ENCASTRER - UNTERPUTZTEIL

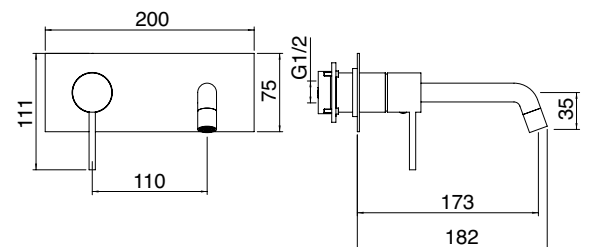


CC	RWIT 6BA7 CC 01	205,00
NN	RWIT 6BA7 NN 01	292,00
BB	RWIT 6BA7 BB 01	292,00
NL	RWIT 6BA7 NL 01	288,00
NF	RWIT 6BA7 NF 01	288,00
HH	RWIT 6BA7 HH 01	354,00
CZ	RWIT 6BA7 CZ 01	354,00
US	RWIT 6BA7 US 01	354,00
UZ	RWIT 6BA7 UZ 01	354,00
KK	RWIT 6BA7 KK 01	354,00
DD	RWIT 6BA7 DD 01	454,00
DZ	RWIT 6BA7 DZ 01	454,00
SZ	RWIT 6BA7 SZ 01	454,00

Miscelatore monocomando lavabo incasso 173
 Concealed washbasin mixer 173
 Mitigeur lavabo à encastrer 173
 UP-Einhand-Waschtischmischer 173



RWIT 51A5 ZZ 01 138,00
 + PARTI INCASSO - CONCEALED BODY
 CORPS À ENCASTRER - UNTERPUTZTEIL





RWIT 6BC5 CZ 01

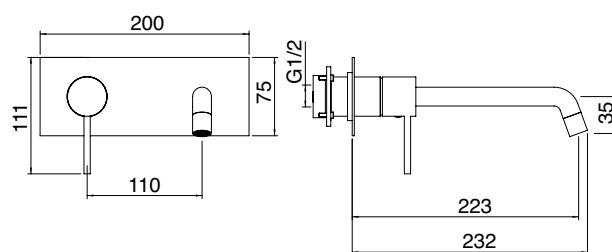


CC	RWIT 6BA9 CC 01	226,00
NN	RWIT 6BA9 NN 01	321,00
BB	RWIT 6BA9 BB 01	321,00
NL	RWIT 6BA9 NL 01	317,00
NF	RWIT 6BA9 NF 01	317,00
HH	RWIT 6BA9 HH 01	389,00
CZ	RWIT 6BA9 CZ 01	389,00
US	RWIT 6BA9 US 01	389,00
UZ	RWIT 6BA9 UZ 01	389,00
KK	RWIT 6BA9 KK 01	389,00
DD	RWIT 6BA9 DD 01	499,00
DZ	RWIT 6BA9 DZ 01	499,00
SZ	RWIT 6BA9 SZ 01	499,00

Miscelatore monocomando lavabo incasso 223
 Concealed washbasin mixer 223
 Mitigeur lavabo à encastrer 223
 UP-Einhand-Waschtischmischer 223



RWIT 51A5 ZZ 01 138,00
 + PARTI INCASSO - CONCEALED BODY
 CORPS À ENCASTRER - UNTERPUTZTEIL

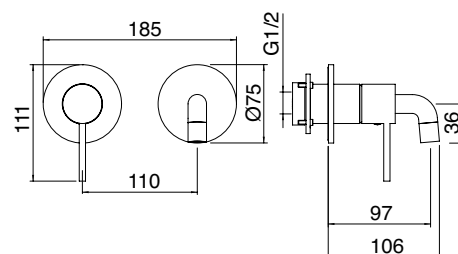


CC	RWIT 6BC7 CC BC	221,00
NN	RWIT 6BC7 NN BC	314,00
BB	RWIT 6BC7 BB BC	314,00
NL	RWIT 6BC7 NL BC	309,00
NF	RWIT 6BC7 NF BC	309,00
HH	RWIT 6BC7 HH BC	381,00
CZ	RWIT 6BC7 CZ BC	381,00
US	RWIT 6BC7 US BC	381,00
UZ	RWIT 6BC7 UZ BC	381,00
KK	RWIT 6BC7 KK BC	381,00
DD	RWIT 6BC7 DD BC	488,00
DZ	RWIT 6BC7 DZ BC	488,00
SZ	RWIT 6BC7 SZ BC	488,00

Miscelatore monocomando lavabo incasso 97
 Concealed washbasin mixer 97
 Mitigeur lavabo à encastrer 97
 UP-Einhand-Waschtischmischer 97



RWIT 51A5 ZZ 01 138,00
 + PARTI INCASSO - CONCEALED BODY
 CORPS À ENCASTRER - UNTERPUTZTEIL



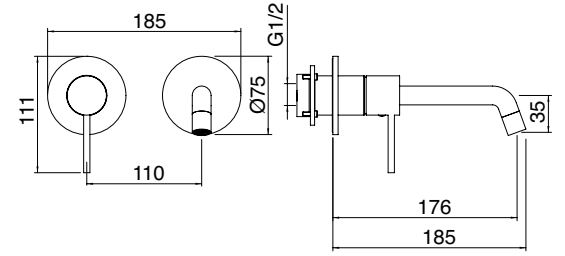


CC	RWIT 6BC7 CC 01	226,00
NN	RWIT 6BC7 NN 01	321,00
BB	RWIT 6BC7 BB 01	321,00
NL	RWIT 6BC7 NL 01	317,00
NF	RWIT 6BC7 NF 01	317,00
HH	RWIT 6BC7 HH 01	389,00
CZ	RWIT 6BC7 CZ 01	389,00
US	RWIT 6BC7 US 01	389,00
UZ	RWIT 6BC7 UZ 01	389,00
KK	RWIT 6BC7 KK 01	389,00
DD	RWIT 6BC7 DD 01	499,00
DZ	RWIT 6BC7 DZ 01	499,00
SZ	RWIT 6BC7 SZ 01	499,00

Miscelatore monocomando lavabo incasso 176
 Concealed washbasin mixer 176
 Mitigeur lavabo à encastrer 176
 UP-Einhand-Waschtischmischer 176



RWIT 51A5 ZZ 01 138,00
 + PARTI INCASSO - CONCEALED BODY
 CORPS À ENCASTRER - UNTERPUTZTEIL

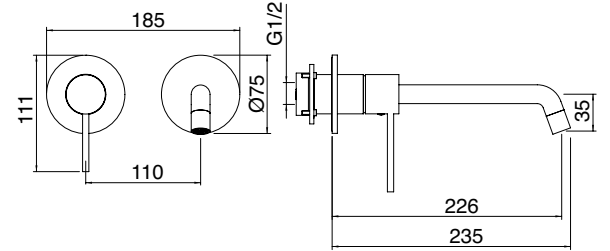


CC	RWIT 6BC9 CC 01	249,00
NN	RWIT 6BC9 NN 01	354,00
BB	RWIT 6BC9 BB 01	354,00
NL	RWIT 6BC9 NL 01	349,00
NF	RWIT 6BC9 NF 01	349,00
HH	RWIT 6BC9 HH 01	428,00
CZ	RWIT 6BC9 CZ 01	428,00
US	RWIT 6BC9 US 01	428,00
UZ	RWIT 6BC9 UZ 01	428,00
KK	RWIT 6BC9 KK 01	428,00
DD	RWIT 6BC9 DD 01	549,00
DZ	RWIT 6BC9 DZ 01	549,00
SZ	RWIT 6BC9 SZ 01	549,00

Miscelatore monocomando lavabo incasso 226
 Concealed washbasin mixer 226
 Mitigeur lavabo à encastrer 226
 UP-Einhand-Waschtischmischer 226



RWIT 51A5 ZZ 01 138,00
 + PARTI INCASSO - CONCEALED BODY
 CORPS À ENCASTRER - UNTERPUTZTEIL

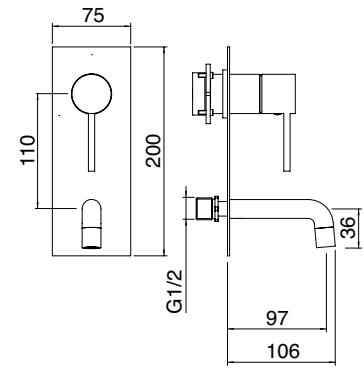


CC	RWIT 6BB2 CC BC	200,00
NN	RWIT 6BB2 NN BC	285,00
BB	RWIT 6BB2 BB BC	285,00
NL	RWIT 6BB2 NL BC	281,00
NF	RWIT 6BB2 NF BC	281,00
HH	RWIT 6BB2 HH BC	345,00
CZ	RWIT 6BB2 CZ BC	345,00
US	RWIT 6BB2 US BC	345,00
UZ	RWIT 6BB2 UZ BC	345,00
KK	RWIT 6BB2 KK BC	345,00
DD	RWIT 6BB2 DD BC	442,00
DZ	RWIT 6BB2 DZ BC	442,00
SZ	RWIT 6BB2 SZ BC	442,00

Miscelatore monocomando lavabo incasso 97
 Concealed washbasin mixer 97
 Mitigeur lavabo à encastrer 97
 UP-Einhand-Waschtischmischer 97



RWIT 51A5 ZZ 01 138,00
 + PARTI INCASSO - CONCEALED BODY
 CORPS À ENCASTRER - UNTERPUTZTEIL

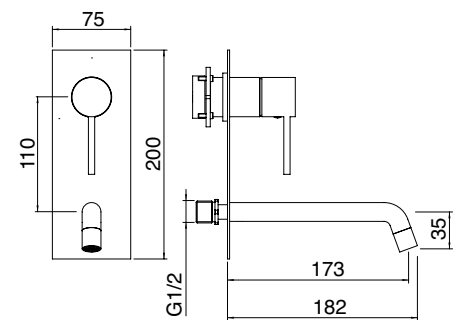


CC	RWIT 6BB2 CC 01	205,00
NN	RWIT 6BB2 NN 01	292,00
BB	RWIT 6BB2 BB 01	292,00
NL	RWIT 6BB2 NL 01	288,00
NF	RWIT 6BB2 NF 01	288,00
HH	RWIT 6BB2 HH 01	354,00
CZ	RWIT 6BB2 CZ 01	354,00
US	RWIT 6BB2 US 01	354,00
UZ	RWIT 6BB2 UZ 01	354,00
KK	RWIT 6BB2 KK 01	354,00
DD	RWIT 6BB2 DD 01	454,00
DZ	RWIT 6BB2 DZ 01	454,00
SZ	RWIT 6BB2 SZ 01	454,00

Miscelatore monocomando lavabo incasso 173
 Concealed washbasin mixer 173
 Mitigeur lavabo à encastrer 173
 UP-Einhand-Waschtischmischer 173









RWIT 51A5 ZZ 01 138,00
 + PARTI INCASSO - CONCEALED BODY
 CORPS À ENCASTRER - UNTERPUTZTEIL





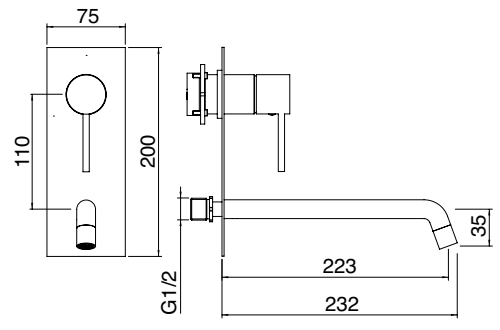


CC	RWIT 6BB3 CC 01	226,00
NN	RWIT 6BB3 NN 01	321,00
BB	RWIT 6BB3 BB 01	321,00
NL	RWIT 6BB3 NL 01	317,00
NF	RWIT 6BB3 NF 01	317,00
HH	RWIT 6BB3 HH 01	389,00
CZ	RWIT 6BB3 CZ 01	389,00
US	RWIT 6BB3 US 01	389,00
UZ	RWIT 6BB3 UZ 01	389,00
KK	RWIT 6BB3 KK 01	389,00
DD	RWIT 6BB3 DD 01	499,00
DZ	RWIT 6BB3 DZ 01	499,00
SZ	RWIT 6BB3 SZ 01	499,00

Miscelatore monocomando lavabo incasso 223
 Concealed washbasin mixer 223
 Mitigeur lavabo à encastrer 223
 UP-Einhand-Waschtischmischer 223

 ITRTVT254ZZ
  ITRTAE110_
  1,5cm RWIT51ASZZ80
 3cm RWIT51ASZZ85
 5cm RWIT51ASZZ90
  6 l/min
  N° i46
  RWIT51CSZZ90



RWIT 51A5 ZZ 01 138,00
 +  PARTI INCASSO - CONCEALED BODY
 CORPS À ENCASTRER - UNTERPUTZTEIL  P_790

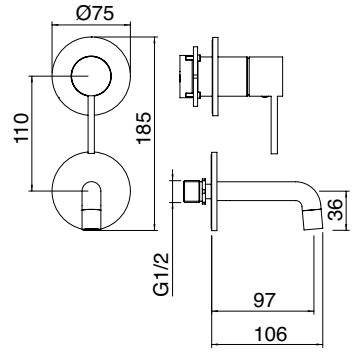


CC	RWIT 6BD2 CC BC	221,00
NN	RWIT 6BD2 NN BC	314,00
BB	RWIT 6BD2 BB BC	314,00
NL	RWIT 6BD2 NL BC	309,00
NF	RWIT 6BD2 NF BC	309,00
HH	RWIT 6BD2 HH BC	381,00
CZ	RWIT 6BD2 CZ BC	381,00
US	RWIT 6BD2 US BC	381,00
UZ	RWIT 6BD2 UZ BC	381,00
KK	RWIT 6BD2 KK BC	381,00
DD	RWIT 6BD2 DD BC	488,00
DZ	RWIT 6BD2 DZ BC	488,00
SZ	RWIT 6BD2 SZ BC	488,00

Miscelatore monocomando lavabo incasso 97
 Concealed washbasin mixer 97
 Mitigeur lavabo à encastrer 97
 UP-Einhand-Waschtischmischer 97

 ITRTVT254ZZ
  ITRTAE110_
  1,5cm RWIT51ASZZ80
 3cm RWIT51ASZZ85
 5cm RWIT51ASZZ90
  6 l/min
  N° i46
  RWIT51CSZZ90



RWIT 51A5 ZZ 01 138,00
 +  PARTI INCASSO - CONCEALED BODY
 CORPS À ENCASTRER - UNTERPUTZTEIL  P_790

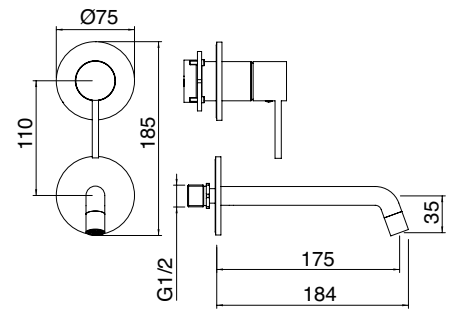


CC	RWIT 6BD2 CC 01	226,00
NN	RWIT 6BD2 NN 01	321,00
BB	RWIT 6BD2 BB 01	321,00
NL	RWIT 6BD2 NL 01	317,00
NF	RWIT 6BD2 NF 01	317,00
HH	RWIT 6BD2 HH 01	389,00
CZ	RWIT 6BD2 CZ 01	389,00
US	RWIT 6BD2 US 01	389,00
UZ	RWIT 6BD2 UZ 01	389,00
KK	RWIT 6BD2 KK 01	389,00
DD	RWIT 6BD2 DD 01	499,00
DZ	RWIT 6BD2 DZ 01	499,00
SZ	RWIT 6BD2 SZ 01	499,00

Miscelatore monocomando lavabo incasso 175
 Concealed washbasin mixer 175
 Mitigeur lavabo à encastrer 175
 UP-Einhand-Waschtischmischer 175

 ITRTVT254ZZ
  ITRTAE110_
  1,5cm RWIT51ASZZ80
 3cm RWIT51ASZZ85
 5cm RWIT51ASZZ90
  6 l/min
  N° i46
  RWIT51CSZZ90



RWIT 51A5 ZZ 01 138,00
 +  PARTI INCASSO - CONCEALED BODY
 CORPS À ENCASTRER - UNTERPUTZTEIL  P_790

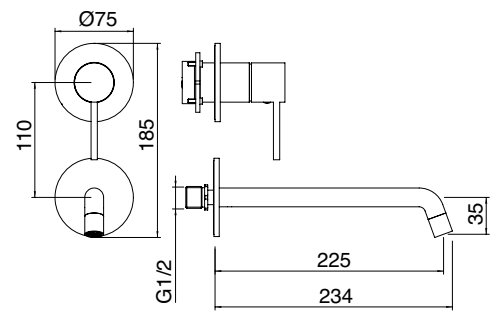


CC	RWIT 6BD3 CC 01	249,00
NN	RWIT 6BD3 NN 01	354,00
BB	RWIT 6BD3 BB 01	354,00
NL	RWIT 6BD3 NL 01	349,00
NF	RWIT 6BD3 NF 01	349,00
HH	RWIT 6BD3 HH 01	428,00
CZ	RWIT 6BD3 CZ 01	428,00
US	RWIT 6BD3 US 01	428,00
UZ	RWIT 6BD3 UZ 01	428,00
KK	RWIT 6BD3 KK 01	428,00
DD	RWIT 6BD3 DD 01	549,00
DZ	RWIT 6BD3 DZ 01	549,00
SZ	RWIT 6BD3 SZ 01	549,00

Miscelatore monocomando lavabo incasso 225
 Concealed washbasin mixer 225
 Mitigeur lavabo à encastrer 225
 UP-Einhand-Waschtischmischer 225

 ITRTVT254ZZ
  ITRTAE110_
  1,5cm RWIT51ASZZ80
 3cm RWIT51ASZZ85
 5cm RWIT51ASZZ90
  6 l/min
  N° i46
  RWIT51CSZZ90

RWIT 51A5 ZZ 01 138,00
 +  PARTI INCASSO - CONCEALED BODY
 CORPS À ENCASTRER - UNTERPUTZTEIL  P_790



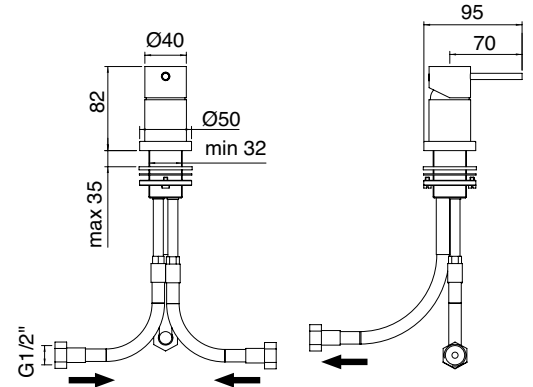


CC	RWIT 5765 CC 04	155,00
NN	RWIT 5765 NN 04	206,00
BB	RWIT 5765 BB 04	206,00
NL	RWIT 5765 NL 04	201,00
NF	RWIT 5765 NF 04	201,00
HH	RWIT 5765 HH 04	238,00
CZ	RWIT 5765 CZ 04	238,00
US	RWIT 5765 US 04	238,00
UZ	RWIT 5765 UZ 04	238,00
KK	RWIT 5765 KK 04	238,00
DD	RWIT 5765 DD 04	322,00
DZ	RWIT 5765 DZ 04	322,00
SZ	RWIT 5765 SZ 04	322,00

Monocomando remoto da piano per lavabo
Deck mounted control mixer
Mitigeur lavabo seul sur gorge
Waschtisch Einhebelmischer für separaten Auslauf

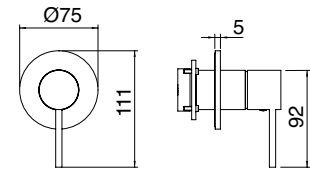


ITRTVT131ZZ 24 l/min



CC	RWIT 6BC8 CC 01	141,00
NN	RWIT 6BC8 NN 01	200,00
BB	RWIT 6BC8 BB 01	200,00
NL	RWIT 6BC8 NL 01	197,00
NF	RWIT 6BC8 NF 01	197,00
HH	RWIT 6BC8 HH 01	242,00
CZ	RWIT 6BC8 CZ 01	242,00
US	RWIT 6BC8 US 01	242,00
UZ	RWIT 6BC8 UZ 01	242,00
KK	RWIT 6BC8 KK 01	242,00
DD	RWIT 6BC8 DD 01	311,00
DZ	RWIT 6BC8 DZ 01	311,00
SZ	RWIT 6BC8 SZ 01	311,00

RWIT 51A8 ZZ 03 128,00
+ PARTI INCASSO - CONCEALED BODY
CORPS À ENCASTRER - UNTERPUTZTEIL



Monocomando remoto lavabo/doccia incasso
Concealed washbasin/shower mixer
Mitigeur lavabo/douche à encastrer
UP-Waschtisch/Dusche Mischer



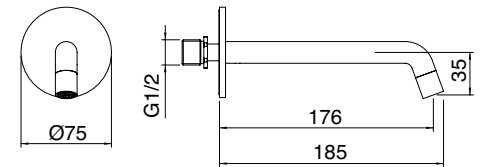
ITRTVT254ZZ 1,5cm RWIT51ASZZ80 3cm RWIT51ASZZ85 5cm RWIT51ASZZ90 24 l/min N° i43 RWIT51A8ZZ90

CC	IT 5763 CC ZZ ZZ	91,00
NN	IT 5763 NN ZZ ZZ	121,00
BB	IT 5763 BB ZZ ZZ	121,00
NL	IT 5763 NL ZZ ZZ	118,00
NF	IT 5763 NF ZZ ZZ	118,00
HH	IT 5763 HH ZZ ZZ	140,00
CZ	IT 5763 CZ ZZ ZZ	140,00
US	IT 5763 US ZZ ZZ	140,00
UZ	IT 5763 UZ ZZ ZZ	140,00
KK	IT 5763 KK ZZ ZZ	140,00
DD	IT 5763 DD ZZ ZZ	189,00
DZ	IT 5763 DZ ZZ ZZ	189,00
SZ	IT 5763 SZ ZZ ZZ	189,00

Bocca a muro 176
Wall-mtd. spout 176
Bec mural 176
Wandauslauf 176



ITRTAE110_ 6 l/min

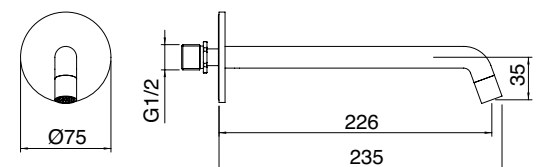


CC	IT 5761 CC ZZ ZZ	98,00
NN	IT 5761 NN ZZ ZZ	131,00
BB	IT 5761 BB ZZ ZZ	131,00
NL	IT 5761 NL ZZ ZZ	128,00
NF	IT 5761 NF ZZ ZZ	128,00
HH	IT 5761 HH ZZ ZZ	151,00
CZ	IT 5761 CZ ZZ ZZ	151,00
US	IT 5761 US ZZ ZZ	151,00
UZ	IT 5761 UZ ZZ ZZ	151,00
KK	IT 5761 KK ZZ ZZ	151,00
DD	IT 5761 DD ZZ ZZ	204,00
DZ	IT 5761 DZ ZZ ZZ	204,00
SZ	IT 5761 SZ ZZ ZZ	204,00

Bocca a muro 226
Wall-mtd. spout 226
Bec mural 226
Wandauslauf 226



ITRTAE110_ 6 l/min



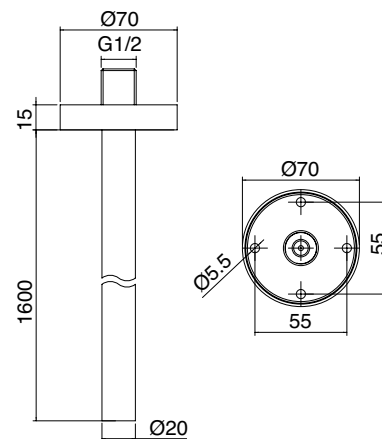


CC	IT 6576 CC ZZ ZZ	163,00
NN	IT 6576 NN ZZ ZZ	208,00
BB	IT 6576 BB ZZ ZZ	208,00
NL	IT 6576 NL ZZ ZZ	216,00
NF	IT 6576 NF ZZ ZZ	216,00
HH	IT 6576 HH ZZ ZZ	251,00
CZ	IT 6576 CZ ZZ ZZ	251,00
US	IT 6576 US ZZ ZZ	251,00
UZ	IT 6576 UZ ZZ ZZ	251,00
KK	IT 6576 KK ZZ ZZ	245,00
DD	IT 6576 DD ZZ ZZ	325,00
DZ	IT 6576 DZ ZZ ZZ	339,00
SZ	IT 6576 SZ ZZ ZZ	339,00

Bocca a soffitto con rosone
Ceiling spout
Bec au plafond
Deckenauslauf



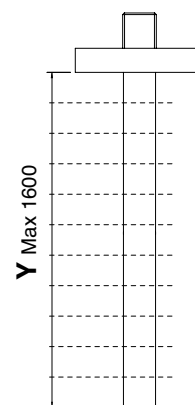
ITRTAE137ZZ ITRTAT105ZZ 6 l/min



CC	IT 6576 CC ZZ YY	248,00
NN	IT 6576 NN ZZ YY	329,00
BB	IT 6576 BB ZZ YY	329,00
NL	IT 6576 NL ZZ YY	322,00
NF	IT 6576 NF ZZ YY	322,00
HH	IT 6576 HH ZZ YY	381,00
CZ	IT 6576 CZ ZZ YY	381,00
US	IT 6576 US ZZ YY	381,00
UZ	IT 6576 UZ ZZ YY	381,00
KK	IT 6576 KK ZZ YY	381,00
DD	IT 6576 DD ZZ YY	515,00
DZ	IT 6576 DZ ZZ YY	515,00
SZ	IT 6576 SZ ZZ YY	515,00

"DIMENSIONI SU MISURA"
"CUSTOMIZED SIZE"
"DIMENSIONS SUR MESURE"
"LÄNGE NACH MASS"

Y: Altezza - Height - Hauteur - Länge
= ___ cm

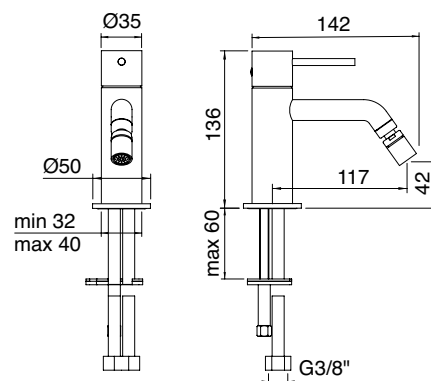


CC	IT 6B22 CC UP ZZ	182,00
NN	IT 6B22 NN UP ZZ	243,00
BB	IT 6B22 BB UP ZZ	243,00
NL	IT 6B22 NL UP ZZ	236,00
NF	IT 6B22 NF UP ZZ	236,00
HH	IT 6B22 HH UP ZZ	281,00
CZ	IT 6B22 CZ UP ZZ	281,00
US	IT 6B22 US UP ZZ	281,00
UZ	IT 6B22 UZ UP ZZ	281,00
KK	IT 6B22 KK UP ZZ	281,00
DD	IT 6B22 DD UP ZZ	379,00
DZ	IT 6B22 DZ UP ZZ	379,00
SZ	IT 6B22 SZ UP ZZ	379,00

Miscelatore monocomando bidet
Bidet mixer
Mitigeur bidet
Einhand-Bidetmischer



ITRTV1255ZZ 43° - ITRTAE149 ITRTAE110_ 6 l/min

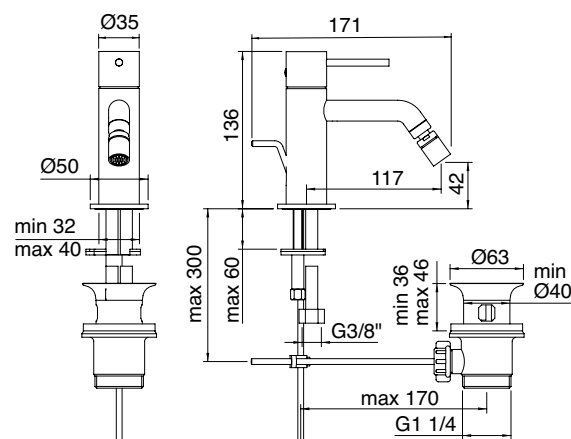


CC	IT 6B20 CC UP ZZ	196,00
NN	IT 6B20 NN UP ZZ	261,00
BB	IT 6B20 BB UP ZZ	261,00
NL	IT 6B20 NL UP ZZ	255,00
NF	IT 6B20 NF UP ZZ	255,00
HH	IT 6B20 HH UP ZZ	302,00
CZ	IT 6B20 CZ UP ZZ	302,00
US	IT 6B20 US UP ZZ	302,00
UZ	IT 6B20 UZ UP ZZ	302,00
KK	IT 6B20 KK UP ZZ	302,00
DD	IT 6B20 DD UP ZZ	408,00
DZ	IT 6B20 DZ UP ZZ	408,00
SZ	IT 6B20 SZ UP ZZ	408,00

Miscelatore monocomando bidet
Bidet mixer
Mitigeur bidet
Einhand-Bidetmischer



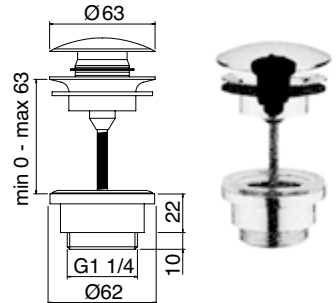
ITRTV1255ZZ 43° - ITRTAE149 ITRTAE110_ 6 l/min ITRTSA106_





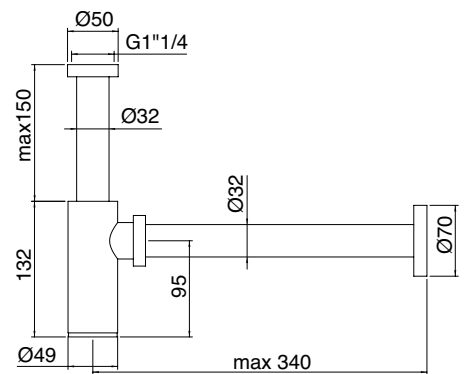
CC	IT RTSA 117 CC	28,00
NN	IT RTSA 117 NN	37,00
BB	IT RTSA 117 BB	37,00
NL	IT RTSA 117 NL	38,00
NF	IT RTSA 117 NF	38,00
HH	IT RTSA 117 HH	44,00
CZ	IT RTSA 117 CZ	44,00
US	IT RTSA 117 US	44,00
UZ	IT RTSA 117 UZ	44,00
KK	IT RTSA 117 KK	42,00
DD	IT RTSA 117 DD	54,00
DZ	IT RTSA 117 DZ	59,00
SZ	IT RTSA 117 SZ	59,00

Scarico click-clack universale con inserto per sempre aperto
 Universal up/down pop-up waste with adaptor for continuous water flow
 Bonde click-clack universelle avec option écoulement libre
 Universal-Abflussgarnitur Click-Clack mit Verschlussperre



CC	IT 0405 CC ZZ ZZ	88,00
NN	IT 0405 NN ZZ ZZ	177,00
BB	IT 0405 BB ZZ ZZ	177,00
NL	IT 0405 NL ZZ ZZ	167,00
NF	IT 0405 NF ZZ ZZ	167,00
HH	IT 0405 HH ZZ ZZ	136,00
CZ	IT 0405 CZ ZZ ZZ	136,00
US	IT 0405 US ZZ ZZ	136,00
UZ	IT 0405 UZ ZZ ZZ	136,00
KK	IT 0405 KK ZZ ZZ	186,00
DD	IT 0405 DD ZZ ZZ	201,00
DZ	IT 0405 DZ ZZ ZZ	184,00
SZ	IT 0405 SZ ZZ ZZ	184,00

Sifone a vista
 Drain-trap
 Siphon
 Siphon für Waschtisch

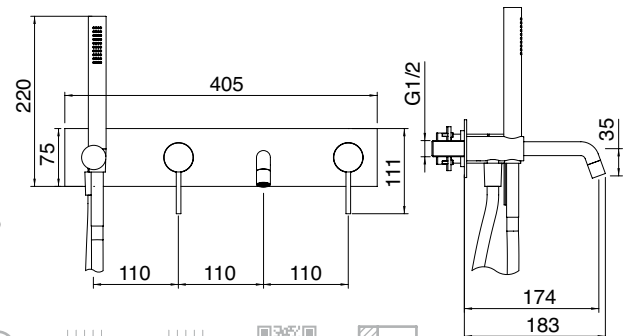


CC	RWIT 6BD7 CC 02	439,00
NN	RWIT 6BD7 NN 02	624,00
BB	RWIT 6BD7 BB 02	624,00
NL	RWIT 6BD7 NL 02	614,00
NF	RWIT 6BD7 NF 02	614,00
HH	RWIT 6BD7 HH 02	754,00
CZ	RWIT 6BD7 CZ 02	754,00
US	RWIT 6BD7 US 02	754,00
UZ	RWIT 6BD7 UZ 02	754,00
KK	RWIT 6BD7 KK 02	754,00
DD	RWIT 6BD7 DD 02	970,00
DZ	RWIT 6BD7 DZ 02	970,00
SZ	RWIT 6BD7 SZ 02	970,00

Miscelatore monocomando vasca/doccia incasso
 Concealed bath/shower mixer
 Mitigeur bain/douche à encastrer
 Wanne / Brause EHM UP

RWIT 51D7 ZZ 12 305,00

+ PARTI INCASSO - CONCEALED BODY
 CORPS À ENCASTRER - UNTERPUTZTEIL

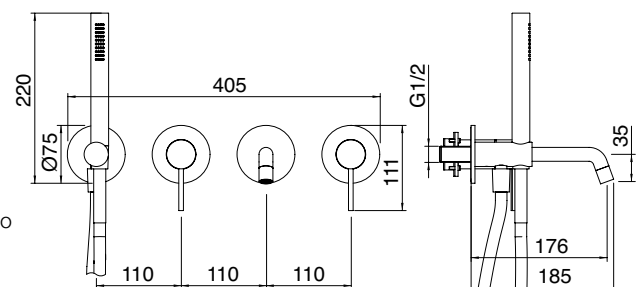


CC	RWIT 6BD8 CC 01	479,00
NN	RWIT 6BD8 NN 01	680,00
BB	RWIT 6BD8 BB 01	680,00
NL	RWIT 6BD8 NL 01	671,00
NF	RWIT 6BD8 NF 01	671,00
HH	RWIT 6BD8 HH 01	823,00
CZ	RWIT 6BD8 CZ 01	823,00
US	RWIT 6BD8 US 01	823,00
UZ	RWIT 6BD8 UZ 01	823,00
KK	RWIT 6BD8 KK 01	823,00
DD	RWIT 6BD8 DD 01	1.058,00
DZ	RWIT 6BD8 DZ 01	1.058,00
SZ	RWIT 6BD8 SZ 01	1.058,00

Miscelatore monocomando vasca/doccia incasso
 Concealed bath/shower mixer
 Mitigeur bain/douche à encastrer
 Wanne / Brause EHM UP

RWIT 51D7 ZZ 12 305,00

+ PARTI INCASSO - CONCEALED BODY
 CORPS À ENCASTRER - UNTERPUTZTEIL

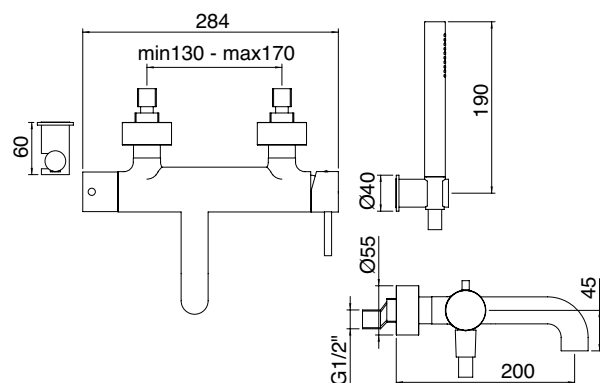




RWIT 6BD7 NF 02

CC	IT 6B00 CC VL ZZ	453,00
NN	IT 6B00 NN VL ZZ	602,00
BB	IT 6B00 BB VL ZZ	602,00
NL	IT 6B00 NL VL ZZ	589,00
NF	IT 6B00 NF VL ZZ	589,00
HH	IT 6B00 HH VL ZZ	697,00
CZ	IT 6B00 CZ VL ZZ	697,00
US	IT 6B00 US VL ZZ	697,00
UZ	IT 6B00 UZ VL ZZ	697,00
KK	IT 6B00 KK VL ZZ	697,00
DD	IT 6B00 DD VL ZZ	941,00
DZ	IT 6B00 DZ VL ZZ	941,00
SZ	IT 6B00 SZ VL ZZ	941,00

Miscelatore monocomando esterno vasca
 Wall-mtd. bathtub mixer
 Mitigeur bain/douche mural
 AP-Badewannen-Einhandbatterie



								
ITRTVT131ZZ	ITRTVT213ZZ	ITRTAE128ZZ	ITRTAT118ZZ	1,5 M PVC	METAL	≥ 21 l/min	≤ 8 l/min	N° 67



CC	IT 6B50 CC VL ZZ	357,00
NN	IT 6B50 NN VL ZZ	473,00
BB	IT 6B50 BB VL ZZ	473,00
NL	IT 6B50 NL VL ZZ	463,00
NF	IT 6B50 NF VL ZZ	463,00
HH	IT 6B50 HH VL ZZ	548,00
CZ	IT 6B50 CZ VL ZZ	548,00
US	IT 6B50 US VL ZZ	548,00
UZ	IT 6B50 UZ VL ZZ	548,00
KK	IT 6B50 KK VL ZZ	548,00
DD	IT 6B50 DD VL ZZ	740,00
DZ	IT 6B50 DZ VL ZZ	740,00
SZ	IT 6B50 SZ VL ZZ	740,00

Monomando vasca esterno senza set doccia
 Wall-mtd. bath mixer without shower set
 Mitigeur bain/douche mural sans set de douche
 AP Badewannemischer ohne Duschset



ITRTVT131ZZ



ITRTVT213ZZ



ITRTAE128ZZ



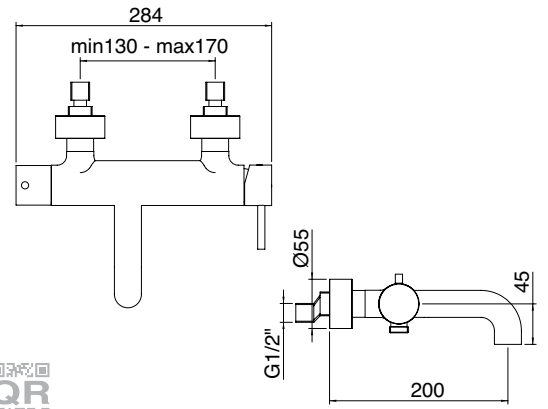
ITRTAT118ZZ



21 l/min



N° 67



CC	IT 6B01 CC UP ZZ	530,00
NN	IT 6B01 NN UP ZZ	705,00
BB	IT 6B01 BB UP ZZ	705,00
NL	IT 6B01 NL UP ZZ	690,00
NF	IT 6B01 NF UP ZZ	690,00
HH	IT 6B01 HH UP ZZ	816,00
CZ	IT 6B01 CZ UP ZZ	816,00
US	IT 6B01 US UP ZZ	816,00
UZ	IT 6B01 UZ UP ZZ	816,00
KK	IT 6B01 KK UP ZZ	816,00
DD	IT 6B01 DD UP ZZ	1.103,00
DZ	IT 6B01 DZ UP ZZ	1.103,00
SZ	IT 6B01 SZ UP ZZ	1.103,00

Gruppo vasca termostatico
 Thermostatic bathtub mixer
 Mitigeur thermostatique bain douche mural
 AP-Badewanne Thermostat



ITRTVT213ZZ



ITRTVT131ZZ



ITRTAE128ZZ



ITRTAT118ZZ



1,5 M PVC



METAL



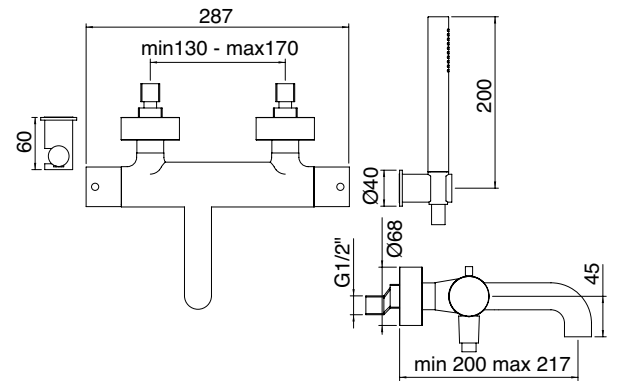
≥ 21 l/min



≤ 8 l/min



N° 67



CC	RWIT 5703 CC 10	885,00
NN	RWIT 5703 NN 10	1.194,00
BB	RWIT 5703 BB 10	1.194,00
NL	RWIT 5703 NL 10	1.251,00
NF	RWIT 5703 NF 10	1.251,00
HH	RWIT 5703 HH 10	1.363,00
CZ	RWIT 5703 CZ 10	1.363,00
US	RWIT 5703 US 10	1.363,00
UZ	RWIT 5703 UZ 10	1.363,00
KK	RWIT 5703 KK 10	1.432,00
DD	RWIT 5703 DD 10	1.841,00
DZ	RWIT 5703 DZ 10	1.841,00
SZ	RWIT 5703 SZ 10	1.841,00

Miscelatore monocomando vasca da terra
 Floor standing bathtub mixer
 Mitigeur bain douche sur colonne au sol
 Einhebel - Wannenstandarmatur

RWIT 5703 ZZ 07 212,00
 + PARTI INCASSO - CONCEALED BODY
 CORPS À ENCASTRER - UNTERPUTZTEIL



ITRTVT167ZZ



ITRTVT174ZZ



ITRTAE164_



RWIT5703ZZ50



1,5 M PVC



METAL



≥ 20 l/min



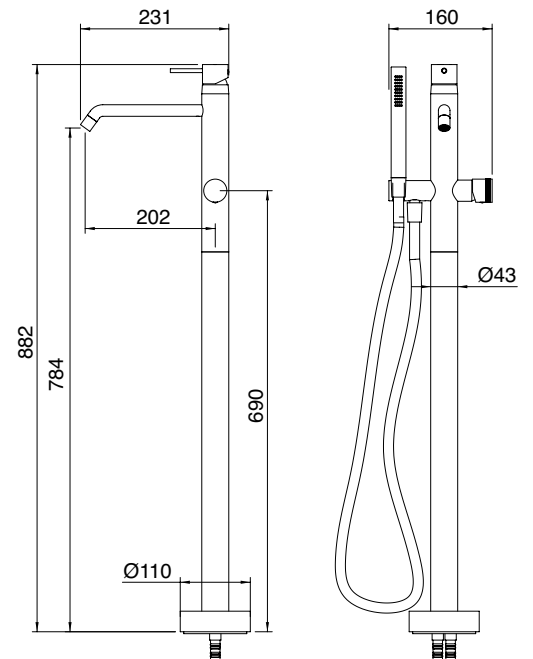
≤ 8 l/min



N° 131



P_801





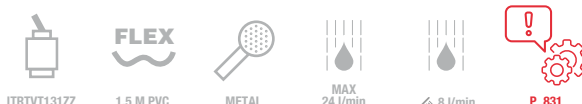
CC	IT 5768 CC VL ZZ	753,00
NN	IT 5768 NN VL ZZ	1.002,00
BB	IT 5768 BB VL ZZ	1.002,00
NL	IT 5768 NL VL ZZ	979,00
NF	IT 5768 NF VL ZZ	979,00
HH	IT 5768 HH VL ZZ	1.159,00
CZ	IT 5768 CZ VL ZZ	1.159,00
US	IT 5768 US VL ZZ	1.159,00
UZ	IT 5768 UZ VL ZZ	1.159,00
KK	IT 5768 KK VL ZZ	1.159,00
DD	IT 5768 DD VL ZZ	1.565,00
DZ	IT 5768 DZ VL ZZ	1.565,00
SZ	IT 5768 SZ VL ZZ	1.565,00

Batteria bordo vasca 4 fori con doccetta estraibile
4 hole deck-mounted bathtub
Mitigeur bain/douche 4 trous sur gorge
Vierloch Wannenrandarmatur



CC	IT 5769 CC VL ZZ	531,00
NN	IT 5769 NN VL ZZ	706,00
BB	IT 5769 BB VL ZZ	706,00
NL	IT 5769 NL VL ZZ	691,00
NF	IT 5769 NF VL ZZ	691,00
HH	IT 5769 HH VL ZZ	818,00
CZ	IT 5769 CZ VL ZZ	818,00
US	IT 5769 US VL ZZ	818,00
UZ	IT 5769 UZ VL ZZ	818,00
KK	IT 5769 KK VL ZZ	818,00
DD	IT 5769 DD VL ZZ	1.105,00
DZ	IT 5769 DZ VL ZZ	1.105,00
SZ	IT 5769 SZ VL ZZ	1.105,00

Batteria bordo vasca con doccetta estraibile senza bocca
Deck-mounted bathtub without spout
Mitigeur bain/douche sur gorge sans bec
Wannenrandarmatur ohne Auslauf



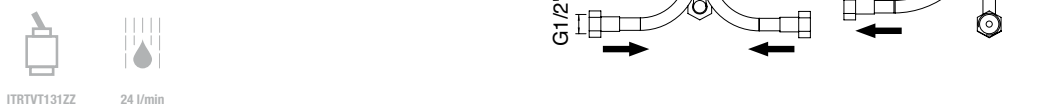
CC	RWIT 2765 CC 25	222,00
NN	RWIT 2765 NN 25	295,00
BB	RWIT 2765 BB 25	295,00
NL	RWIT 2765 NL 25	289,00
NF	RWIT 2765 NF 25	289,00
HH	RWIT 2765 HH 25	341,00
CZ	RWIT 2765 CZ 25	341,00
US	RWIT 2765 US 25	341,00
UZ	RWIT 2765 UZ 25	341,00
KK	RWIT 2765 KK 25	341,00
DD	RWIT 2765 DD 25	460,00
DZ	RWIT 2765 DZ 25	460,00
SZ	RWIT 2765 SZ 25	460,00

Doccetta estraibile bordo vasca
Deck-mounted retractable handshower
Douchette extractible sur gorge
Versenkbare Schlauchbrause



CC	RWIT 5765 CC 04	155,00
NN	RWIT 5765 NN 04	206,00
BB	RWIT 5765 BB 04	206,00
NL	RWIT 5765 NL 04	201,00
NF	RWIT 5765 NF 04	201,00
HH	RWIT 5765 HH 04	238,00
CZ	RWIT 5765 CZ 04	238,00
US	RWIT 5765 US 04	238,00
UZ	RWIT 5765 UZ 04	238,00
KK	RWIT 5765 KK 04	238,00
DD	RWIT 5765 DD 04	322,00
DZ	RWIT 5765 DZ 04	322,00
SZ	RWIT 5765 SZ 04	322,00

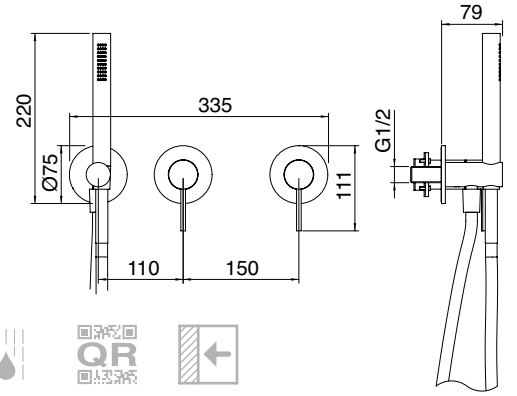
Monocomando remoto da piano per vasca
Deck mounted control mixer
Mitigeur lavabo seul sur gorge
Waschtisch Einhebelmischer für separaten Auslauf



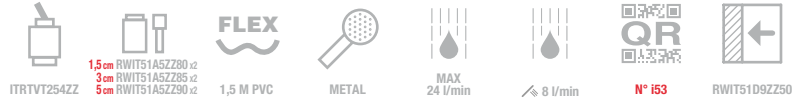


CC	RWIT 6BD9 CC 01	394,00
NN	RWIT 6BD9 NN 01	559,00
BB	RWIT 6BD9 BB 01	559,00
NL	RWIT 6BD9 NL 01	551,00
NF	RWIT 6BD9 NF 01	551,00
HH	RWIT 6BD9 HH 01	676,00
CZ	RWIT 6BD9 CZ 01	676,00
US	RWIT 6BD9 US 01	676,00
UZ	RWIT 6BD9 UZ 01	676,00
KK	RWIT 6BD9 KK 01	676,00
DD	RWIT 6BD9 DD 01	869,00
DZ	RWIT 6BD9 DZ 01	869,00
SZ	RWIT 6BD9 SZ 01	869,00

RWIT 51D9 ZZ 01 293,00
 + PARTI INCASSO - CONCEALED BODY
 CORPS À ENCASTRER - UNTERPUTZTEIL

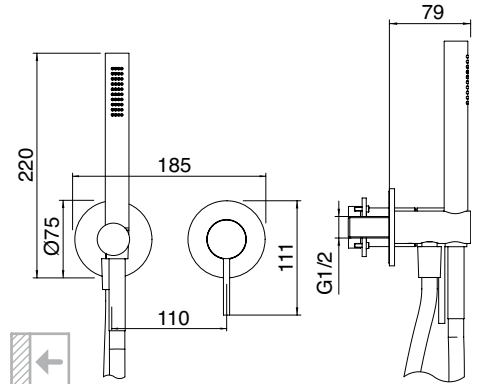


Miscelatore monocomando vasca/doccia incasso
 Concealed bath/shower mixer
 Mitigeur bain/douche à encastrer
 Wanne / Brause EHM UP



CC	RWIT 6BD4 CC 01	254,00
NN	RWIT 6BD4 NN 01	360,00
BB	RWIT 6BD4 BB 01	360,00
NL	RWIT 6BD4 NL 01	355,00
NF	RWIT 6BD4 NF 01	355,00
HH	RWIT 6BD4 HH 01	435,00
CZ	RWIT 6BD4 CZ 01	435,00
US	RWIT 6BD4 US 01	435,00
UZ	RWIT 6BD4 UZ 01	435,00
KK	RWIT 6BD4 KK 01	435,00
DD	RWIT 6BD4 DD 01	559,00
DZ	RWIT 6BD4 DZ 01	559,00
SZ	RWIT 6BD4 SZ 01	559,00

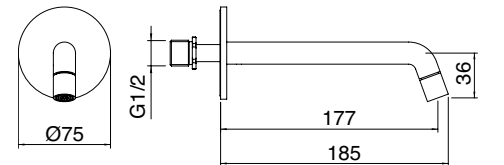
RWIT 51A5 ZZ 01 138,00
 + PARTI INCASSO - CONCEALED BODY
 CORPS À ENCASTRER - UNTERPUTZTEIL



Miscelatore monocomando incasso doccia con doccetta
 Concealed shower mixer with hand-shower
 Mitigeur douche à encastrer avec douchette
 Brause EHM UP mit Handbrause



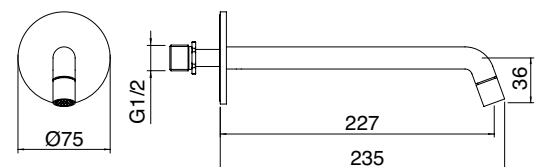
CC	IT 5763 CC ZZ HF	91,00
NN	IT 5763 NN ZZ HF	121,00
BB	IT 5763 BB ZZ HF	121,00
NL	IT 5763 NL ZZ HF	118,00
NF	IT 5763 NF ZZ HF	118,00
HH	IT 5763 HH ZZ HF	140,00
CZ	IT 5763 CZ ZZ HF	140,00
US	IT 5763 US ZZ HF	140,00
UZ	IT 5763 UZ ZZ HF	140,00
KK	IT 5763 KK ZZ HF	140,00
DD	IT 5763 DD ZZ HF	189,00
DZ	IT 5763 DZ ZZ HF	189,00
SZ	IT 5763 SZ ZZ HF	189,00



Bocca a muro per vasca 177
 Wall-mtd. spout for bathtub 177
 Bec mural pour baignoire 177
 Wandauslauf für Badewannen 177



CC	IT 5761 CC ZZ HF	98,00
NN	IT 5761 NN ZZ HF	131,00
BB	IT 5761 BB ZZ HF	131,00
NL	IT 5761 NL ZZ HF	128,00
NF	IT 5761 NF ZZ HF	128,00
HH	IT 5761 HH ZZ HF	151,00
CZ	IT 5761 CZ ZZ HF	151,00
US	IT 5761 US ZZ HF	151,00
UZ	IT 5761 UZ ZZ HF	151,00
KK	IT 5761 KK ZZ HF	151,00
DD	IT 5761 DD ZZ HF	204,00
DZ	IT 5761 DZ ZZ HF	204,00
SZ	IT 5761 SZ ZZ HF	204,00



Bocca a muro per vasca 227
 Wall-mtd. spout for bathtub 227
 Bec mural pour baignoire 227
 Wandauslauf für Badewannen 227







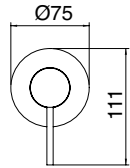
CC	RWIT 6B59 CC 80	83,00
NN	RWIT 6B59 NN 80	110,00
BB	RWIT 6B59 BB 80	110,00
NL	RWIT 6B59 NL 80	108,00
NF	RWIT 6B59 NF 80	108,00
HH	RWIT 6B59 HH 80	127,00
CZ	RWIT 6B59 CZ 80	127,00
US	RWIT 6B59 US 80	127,00
UZ	RWIT 6B59 UZ 80	127,00
KK	RWIT 6B59 KK 80	127,00
DD	RWIT 6B59 DD 80	170,00
DZ	RWIT 6B59 DZ 80	170,00
SZ	RWIT 6B59 SZ 80	170,00

RWIT 6B59 CC 70	65,00
RWIT 6B59 NN 70	88,00
RWIT 6B59 BB 70	88,00
RWIT 6B59 NL 70	86,00
RWIT 6B59 NF 70	86,00
RWIT 6B59 HH 70	100,00
RWIT 6B59 CZ 70	100,00
RWIT 6B59 US 70	100,00
RWIT 6B59 UZ 70	100,00
RWIT 6B59 KK 70	100,00
RWIT 6B59 DD 70	135,00
RWIT 6B59 DZ 70	135,00
RWIT 6B59 SZ 70	135,00

Monocomando remoto lavabo/doccia incasso
 Concealed washbasin/shower mixer
 Mitigeur lavabo/douche à encastrer
 UP-Waschtisch/Dusche Mischer



PARTI INCASSO - CONCEALED BODY
CORPS À ENCASTRER - UNTERPUTZTEIL



ITRTVT254ZZ RWIT6B59_50 18 l/min P_802



CC	RWIT 6BC8 CC 01	141,00
NN	RWIT 6BC8 NN 01	200,00
BB	RWIT 6BC8 BB 01	200,00
NL	RWIT 6BC8 NL 01	197,00
NF	RWIT 6BC8 NF 01	197,00
HH	RWIT 6BC8 HH 01	242,00
CZ	RWIT 6BC8 CZ 01	242,00
US	RWIT 6BC8 US 01	242,00
UZ	RWIT 6BC8 UZ 01	242,00
KK	RWIT 6BC8 KK 01	242,00
DD	RWIT 6BC8 DD 01	311,00
DZ	RWIT 6BC8 DZ 01	311,00
SZ	RWIT 6BC8 SZ 01	311,00

RWIT 51A8 ZZ 03 128,00

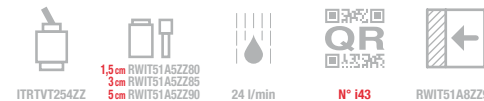
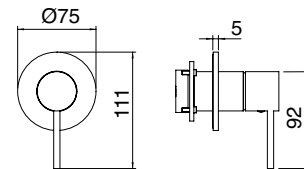


PARTI INCASSO - CONCEALED BODY
CORPS À ENCASTRER - UNTERPUTZTEIL



P_790

Monocomando remoto lavabo/doccia incasso
 Concealed washbasin/shower mixer
 Mitigeur lavabo/douche à encastrer
 UP-Waschtisch/Dusche Mischer



ITRTVT254ZZ 1,5cm RWIT51ASZZ80 3cm RWIT51ASZZ85 5cm RWIT51ASZZ90 24 l/min N° i43 RWIT51A8ZZ90



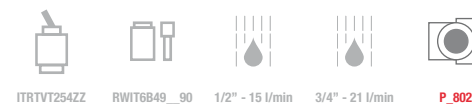
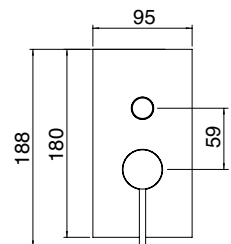
CC	RWIT 6B49 CC 80	88,00
NN	RWIT 6B49 NN 80	117,00
BB	RWIT 6B49 BB 80	117,00
NL	RWIT 6B49 NL 80	114,00
NF	RWIT 6B49 NF 80	114,00
HH	RWIT 6B49 HH 80	135,00
CZ	RWIT 6B49 CZ 80	135,00
US	RWIT 6B49 US 80	135,00
UZ	RWIT 6B49 UZ 80	135,00
KK	RWIT 6B49 KK 80	135,00
DD	RWIT 6B49 DD 80	182,00
DZ	RWIT 6B49 DZ 80	182,00
SZ	RWIT 6B49 SZ 80	182,00

RWIT 6B49 CC 70	148,00
RWIT 6B49 NN 70	196,00
RWIT 6B49 BB 70	196,00
RWIT 6B49 NL 70	192,00
RWIT 6B49 NF 70	192,00
RWIT 6B49 HH 70	227,00
RWIT 6B49 CZ 70	227,00
RWIT 6B49 US 70	227,00
RWIT 6B49 UZ 70	227,00
RWIT 6B49 KK 70	227,00
RWIT 6B49 DD 70	306,00
RWIT 6B49 DZ 70	306,00
RWIT 6B49 SZ 70	306,00

Miscelatore monocomando vasca/doccia incasso
 Concealed bath/shower mixer with diverter
 Mitigeur bain/douche à encastrer avec inverseur
 UP Wanne/Brause Einhebelmischer



PARTI INCASSO - CONCEALED BODY
CORPS À ENCASTRER - UNTERPUTZTEIL



ITRTVT254ZZ RWIT6B49_90 1/2" - 15 l/min 3/4" - 21 l/min P_802



CC	RWIT 6BB1 CC 01	153,00
NN	RWIT 6BB1 NN 01	217,00
BB	RWIT 6BB1 BB 01	217,00
NL	RWIT 6BB1 NL 01	214,00
NF	RWIT 6BB1 NF 01	214,00
HH	RWIT 6BB1 HH 01	262,00
CZ	RWIT 6BB1 CZ 01	262,00
US	RWIT 6BB1 US 01	262,00
UZ	RWIT 6BB1 UZ 01	262,00
KK	RWIT 6BB1 KK 01	262,00
DD	RWIT 6BB1 DD 01	336,00
DZ	RWIT 6BB1 DZ 01	336,00
SZ	RWIT 6BB1 SZ 01	336,00

RWIT 51B1 ZZ 03 160,00

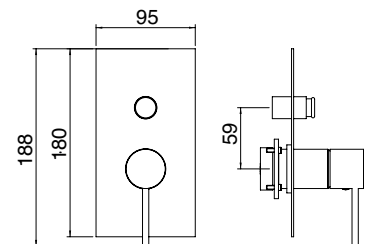


PARTI INCASSO - CONCEALED BODY
CORPS À ENCASTRER - UNTERPUTZTEIL



P_790

Miscelatore monocomando vasca/doccia incasso
 Concealed bath/shower mixer with diverter
 Mitigeur bain/douche à encastrer avec inverseur
 UP Wanne/Brause Einhebelmischer

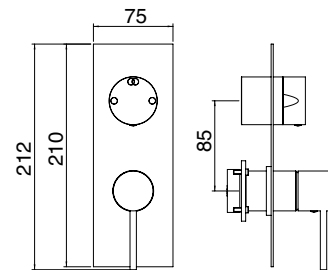


ITRTVT254ZZ 1,5cm RWIT51ASZZ80 3cm RWIT51ASZZ85 5cm RWIT51ASZZ90 RWIT5649_90 1/2" 21 l/min N° 14 RWIT8A7ZZZ90

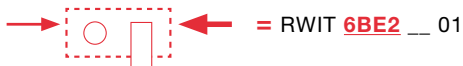


CC	RWIT 6BA2 CC 01	271,00
NN	RWIT 6BA2 NN 01	385,00
BB	RWIT 6BA2 BB 01	385,00
NL	RWIT 6BA2 NL 01	380,00
NF	RWIT 6BA2 NF 01	380,00
HH	RWIT 6BA2 HH 01	466,00
CZ	RWIT 6BA2 CZ 01	466,00
US	RWIT 6BA2 US 01	466,00
UZ	RWIT 6BA2 UZ 01	466,00
KK	RWIT 6BA2 KK 01	466,00
DD	RWIT 6BA2 DD 01	599,00
DZ	RWIT 6BA2 DZ 01	599,00
SZ	RWIT 6BA2 SZ 01	599,00

RWIT 22A2 ZZ 01 237,00
 + PARTI INCASSO - CONCEALED BODY
 CORPS À ENCASTRER - UNTERPUTZTEIL

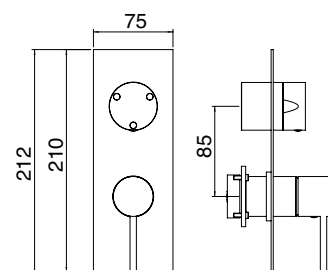


Miscelatore monocomando con deviatore 2 uscite
 Concealed mixer with 2 ways diverter
 Mitigeur à encastrer avec inverseur à 2 sorties
 EHM UP mit 2 Wege Umsteller

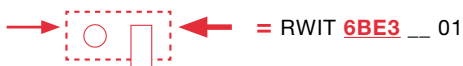


CC	RWIT 6BA3 CC 01	315,00
NN	RWIT 6BA3 NN 01	446,00
BB	RWIT 6BA3 BB 01	446,00
NL	RWIT 6BA3 NL 01	440,00
NF	RWIT 6BA3 NF 01	440,00
HH	RWIT 6BA3 HH 01	541,00
CZ	RWIT 6BA3 CZ 01	541,00
US	RWIT 6BA3 US 01	541,00
UZ	RWIT 6BA3 UZ 01	541,00
KK	RWIT 6BA3 KK 01	541,00
DD	RWIT 6BA3 DD 01	695,00
DZ	RWIT 6BA3 DZ 01	695,00
SZ	RWIT 6BA3 SZ 01	695,00

RWIT 22A2 ZZ 01 237,00
 + PARTI INCASSO - CONCEALED BODY
 CORPS À ENCASTRER - UNTERPUTZTEIL

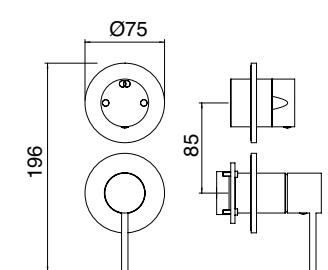


Miscelatore monocomando con deviatore 3 uscite
 Concealed mixer with 3 ways diverter
 Mitigeur à encastrer avec inverseur à 3 sorties
 EHM UP mit 3 Wege Umsteller

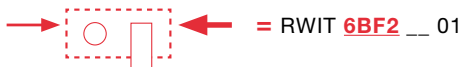


CC	RWIT 6BC2 CC 01	305,00
NN	RWIT 6BC2 NN 01	433,00
BB	RWIT 6BC2 BB 01	433,00
NL	RWIT 6BC2 NL 01	427,00
NF	RWIT 6BC2 NF 01	427,00
HH	RWIT 6BC2 HH 01	525,00
CZ	RWIT 6BC2 CZ 01	525,00
US	RWIT 6BC2 US 01	525,00
UZ	RWIT 6BC2 UZ 01	525,00
KK	RWIT 6BC2 KK 01	525,00
DD	RWIT 6BC2 DD 01	674,00
DZ	RWIT 6BC2 DZ 01	674,00
SZ	RWIT 6BC2 SZ 01	674,00

RWIT 22A2 ZZ 01 237,00
 + PARTI INCASSO - CONCEALED BODY
 CORPS À ENCASTRER - UNTERPUTZTEIL

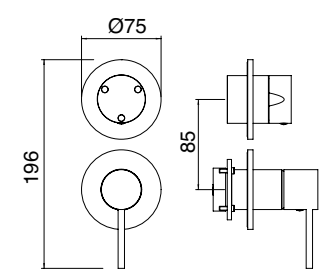


Miscelatore monocomando con deviatore 2 uscite
 Concealed mixer with 2 ways diverter
 Mitigeur à encastrer avec inverseur à 2 sorties
 EHM UP mit 2 Wege Umsteller

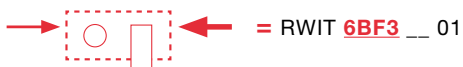


CC	RWIT 6BC3 CC 01	348,00
NN	RWIT 6BC3 NN 01	494,00
BB	RWIT 6BC3 BB 01	494,00
NL	RWIT 6BC3 NL 01	487,00
NF	RWIT 6BC3 NF 01	487,00
HH	RWIT 6BC3 HH 01	598,00
CZ	RWIT 6BC3 CZ 01	598,00
US	RWIT 6BC3 US 01	598,00
UZ	RWIT 6BC3 UZ 01	598,00
KK	RWIT 6BC3 KK 01	598,00
DD	RWIT 6BC3 DD 01	768,00
DZ	RWIT 6BC3 DZ 01	768,00
SZ	RWIT 6BC3 SZ 01	768,00

RWIT 22A2 ZZ 01 237,00
 + PARTI INCASSO - CONCEALED BODY
 CORPS À ENCASTRER - UNTERPUTZTEIL



Miscelatore monocomando con deviatore 3 uscite
 Concealed mixer with 3 ways diverter
 Mitigeur à encastrer avec inverseur à 3 sorties
 EHM UP mit 3 Wege Umsteller

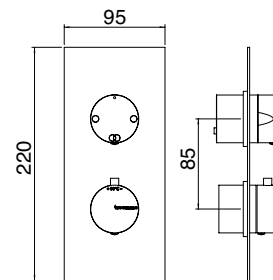






CC	RWIT 8A46 CC 03	230,00
NN	RWIT 8A46 NN 03	327,00
BB	RWIT 8A46 BB 03	327,00
NL	RWIT 8A46 NL 03	323,00
NF	RWIT 8A46 NF 03	323,00
HH	RWIT 8A46 HH 03	396,00
CZ	RWIT 8A46 CZ 03	396,00
US	RWIT 8A46 US 03	396,00
UZ	RWIT 8A46 UZ 03	396,00
KK	RWIT 8A46 KK 03	396,00
DD	RWIT 8A46 DD 03	508,00
DZ	RWIT 8A46 DZ 03	508,00
SZ	RWIT 8A46 SZ 03	508,00

RWIT 8A46 ZZ 20 309,00
 + PARTI INCASSO - CONCEALED BODY
 CORPS À ENCASTRER - UNTERPUTZTEIL

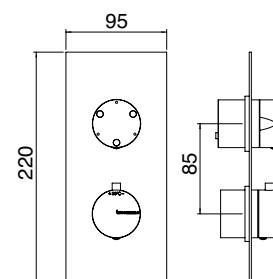


Termostatico incasso con deviatore 2 uscite
 2 ways concealed thermostatic diverter
 Thermostatique à encastrer avec inverseur à 2 sorties
 UP-Thermostat 2 Wege Umsteller



CC	RWIT 8A72 CC 03	277,00
NN	RWIT 8A72 NN 03	393,00
BB	RWIT 8A72 BB 03	393,00
NL	RWIT 8A72 NL 03	388,00
NF	RWIT 8A72 NF 03	388,00
HH	RWIT 8A72 HH 03	475,00
CZ	RWIT 8A72 CZ 03	475,00
US	RWIT 8A72 US 03	475,00
UZ	RWIT 8A72 UZ 03	475,00
KK	RWIT 8A72 KK 03	475,00
DD	RWIT 8A72 DD 03	611,00
DZ	RWIT 8A72 DZ 03	611,00
SZ	RWIT 8A72 SZ 03	611,00

RWIT 8A46 ZZ 20 309,00
 + PARTI INCASSO - CONCEALED BODY
 CORPS À ENCASTRER - UNTERPUTZTEIL

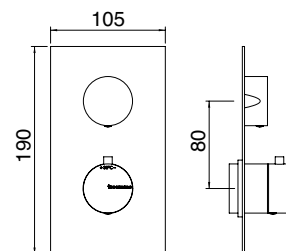


Termostatico incasso con deviatore 3 uscite
 3 ways concealed thermostatic diverter
 Thermostatique à encastrer avec inverseur à 3 sorties
 UP-Thermostat 3 Wege Umsteller



CC	RWIT 7287 CC 35	201,00
NN	RWIT 7287 NN 35	286,00
BB	RWIT 7287 BB 35	286,00
NL	RWIT 7287 NL 35	282,00
NF	RWIT 7287 NF 35	282,00
HH	RWIT 7287 HH 35	347,00
CZ	RWIT 7287 CZ 35	347,00
US	RWIT 7287 US 35	347,00
UZ	RWIT 7287 UZ 35	347,00
KK	RWIT 7287 KK 35	347,00
DD	RWIT 7287 DD 35	444,00
DZ	RWIT 7287 DZ 35	444,00
SZ	RWIT 7287 SZ 35	444,00

RWIT 7287 ZZ 30 458,00
 + PARTI INCASSO - CONCEALED BODY
 CORPS À ENCASTRER - UNTERPUTZTEIL

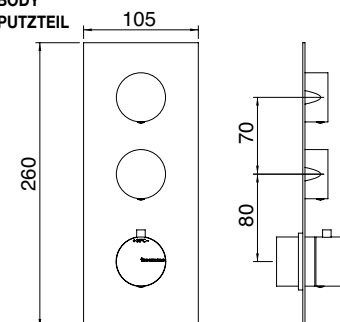


Termostatico incasso 1 uscita
 1 way concealed thermostatic
 Thermostatique à encastrer avec 1 sortie
 UP-Thermostat mit 1 Weg

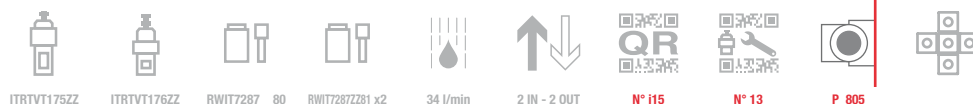


CC	RWIT 7286 CC 35	315,00
NN	RWIT 7286 NN 35	448,00
BB	RWIT 7286 BB 35	448,00
NL	RWIT 7286 NL 35	440,00
NF	RWIT 7286 NF 35	440,00
HH	RWIT 7286 HH 35	541,00
CZ	RWIT 7286 CZ 35	541,00
US	RWIT 7286 US 35	541,00
UZ	RWIT 7286 UZ 35	541,00
KK	RWIT 7286 KK 35	541,00
DD	RWIT 7286 DD 35	696,00
DZ	RWIT 7286 DZ 35	696,00
SZ	RWIT 7286 SZ 35	696,00

RWIT 7286 ZZ 30 680,00
 + PARTI INCASSO - CONCEALED BODY
 CORPS À ENCASTRER - UNTERPUTZTEIL



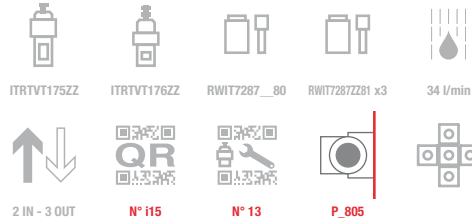
Termostatico incasso 2 uscite
 2 ways concealed thermostatic
 Thermostatique à encastrer avec 2 sorties
 UP-Thermostat mit 2 Wege



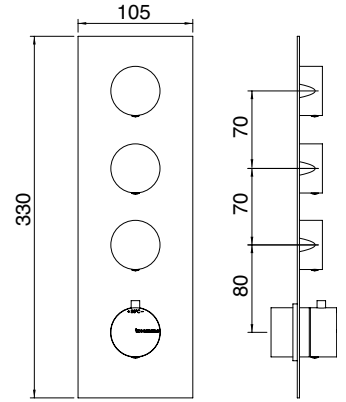


CC	RWIT 7294 CC 35	428,00
NN	RWIT 7294 NN 35	608,00
BB	RWIT 7294 BB 35	608,00
NL	RWIT 7294 NL 35	599,00
NF	RWIT 7294 NF 35	599,00
HH	RWIT 7294 HH 35	736,00
CZ	RWIT 7294 CZ 35	736,00
US	RWIT 7294 US 35	736,00
UZ	RWIT 7294 UZ 35	736,00
KK	RWIT 7294 KK 35	736,00
DD	RWIT 7294 DD 35	946,00
DZ	RWIT 7294 DZ 35	946,00
SZ	RWIT 7294 SZ 35	946,00

Termostatico incasso 3 uscite
3 ways concealed thermostatic
Thermostatique à encastrer avec 3 sorties
UP-Thermostat mit 3 Wege

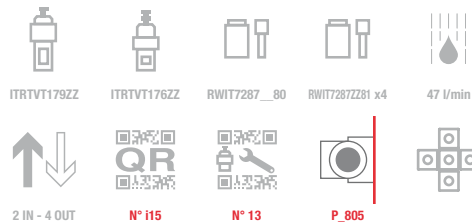


RWIT 7294 ZZ 30 855,00
+ PARTI INCASSO - CONCEALED BODY
CORPS À ENCASTRER - UNTERPUTZTEIL

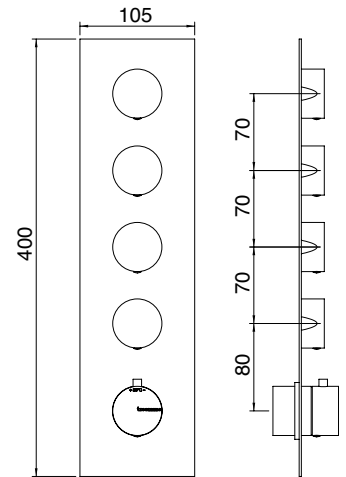


CC	RWIT 7297 CC 35	526,00
NN	RWIT 7297 NN 35	747,00
BB	RWIT 7297 BB 35	747,00
NL	RWIT 7297 NL 35	736,00
NF	RWIT 7297 NF 35	736,00
HH	RWIT 7297 HH 35	905,00
CZ	RWIT 7297 CZ 35	905,00
US	RWIT 7297 US 35	905,00
UZ	RWIT 7297 UZ 35	905,00
KK	RWIT 7297 KK 35	905,00
DD	RWIT 7297 DD 35	1.162,00
DZ	RWIT 7297 DZ 35	1.162,00
SZ	RWIT 7297 SZ 35	1.162,00

Termostatico incasso 4 uscite
4 ways concealed thermostatic
Thermostatique à encastrer avec 4 sorties
UP-Thermostat mit 4 Wege

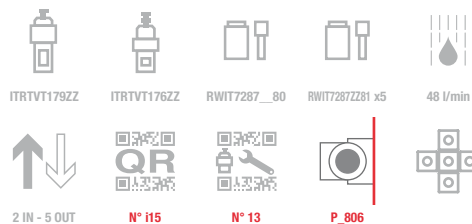


RWIT 7297 ZZ 30 1.030,00
+ PARTI INCASSO - CONCEALED BODY
CORPS À ENCASTRER - UNTERPUTZTEIL

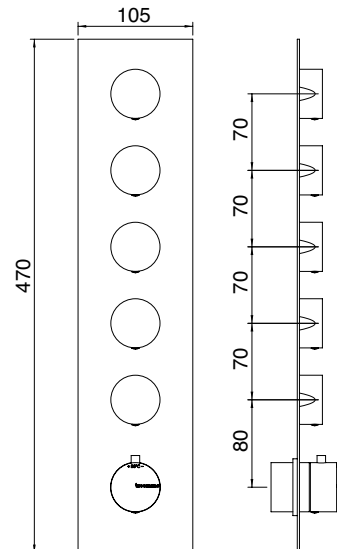


CC	RWIT 7298 CC 35	624,00
NN	RWIT 7298 NN 35	886,00
BB	RWIT 7298 BB 35	886,00
NL	RWIT 7298 NL 35	873,00
NF	RWIT 7298 NF 35	873,00
HH	RWIT 7298 HH 35	1.073,00
CZ	RWIT 7298 CZ 35	1.073,00
US	RWIT 7298 US 35	1.073,00
UZ	RWIT 7298 UZ 35	1.073,00
KK	RWIT 7298 KK 35	1.073,00
DD	RWIT 7298 DD 35	1.379,00
DZ	RWIT 7298 DZ 35	1.379,00
SZ	RWIT 7298 SZ 35	1.379,00

Termostatico incasso 5 uscite
5 ways concealed thermostatic
Thermostatique à encastrer avec 5 sorties
UP-Thermostat mit 5 Wege



RWIT 7298 ZZ 30 1.205,00
+ PARTI INCASSO - CONCEALED BODY
CORPS À ENCASTRER - UNTERPUTZTEIL





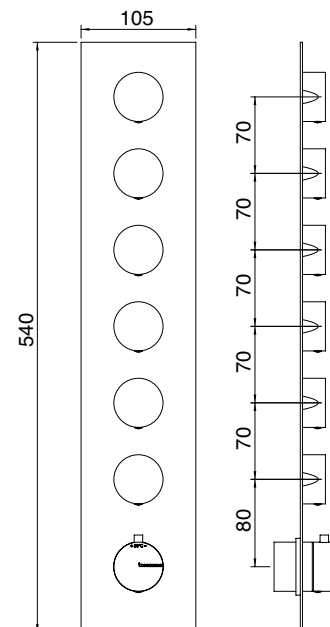
CC	RWIT 7264 CC 35	721,00
NN	RWIT 7264 NN 35	1.024,00
BB	RWIT 7264 BB 35	1.024,00
NL	RWIT 7264 NL 35	1.010,00
NF	RWIT 7264 NF 35	1.010,00
HH	RWIT 7264 HH 35	1.241,00
CZ	RWIT 7264 CZ 35	1.241,00
US	RWIT 7264 US 35	1.241,00
UZ	RWIT 7264 UZ 35	1.241,00
KK	RWIT 7264 KK 35	1.241,00
DD	RWIT 7264 DD 35	1.594,00
DZ	RWIT 7264 DZ 35	1.594,00
SZ	RWIT 7264 SZ 35	1.594,00

Termostatico incasso 6 uscite
6 ways concealed thermostat
Thermostatique à encastrer avec 6 sorties
UP-Thermostat mit 6 Wege



RWIT 7264 ZZ 30 1.380,00

+ PARTI INCASSO - CONCEALED BODY
CORPS À ENCASTRER - UNTERPUTZTEIL



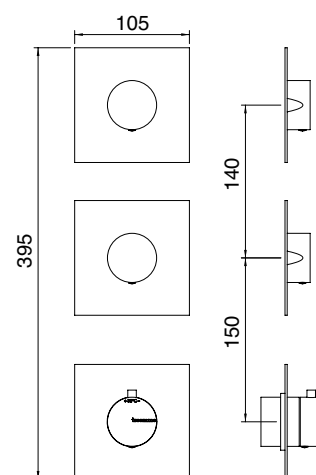
CC	RWIT 7274 CC 55	356,00
NN	RWIT 7274 NN 55	505,00
BB	RWIT 7274 BB 55	505,00
NL	RWIT 7274 NL 55	498,00
NF	RWIT 7274 NF 55	498,00
HH	RWIT 7274 HH 55	612,00
CZ	RWIT 7274 CZ 55	612,00
US	RWIT 7274 US 55	612,00
UZ	RWIT 7274 UZ 55	612,00
KK	RWIT 7274 KK 55	612,00
DD	RWIT 7274 DD 55	786,00
DZ	RWIT 7274 DZ 55	786,00
SZ	RWIT 7274 SZ 55	786,00

Termostatico incasso 2 uscite
2 ways concealed thermostat
Thermostatique à encastrer avec 2 sorties
UP-Thermostat mit 2 Wege



RWIT 7274 ZZ 40 762,00

+ PARTI INCASSO - CONCEALED BODY
CORPS À ENCASTRER - UNTERPUTZTEIL



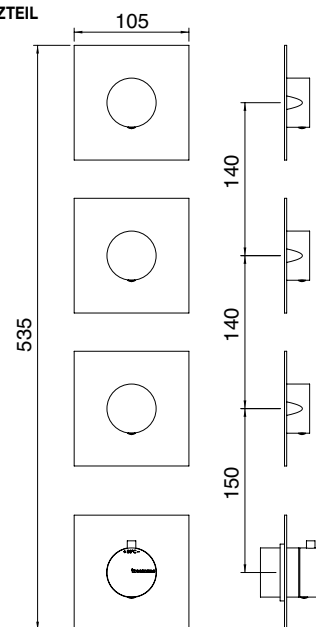
CC	RWIT 7275 CC 36	490,00
NN	RWIT 7275 NN 36	696,00
BB	RWIT 7275 BB 36	696,00
NL	RWIT 7275 NL 36	685,00
NF	RWIT 7275 NF 36	685,00
HH	RWIT 7275 HH 36	842,00
CZ	RWIT 7275 CZ 36	842,00
US	RWIT 7275 US 36	842,00
UZ	RWIT 7275 UZ 36	842,00
KK	RWIT 7275 KK 36	842,00
DD	RWIT 7275 DD 36	1.082,00
DZ	RWIT 7275 DZ 36	1.082,00
SZ	RWIT 7275 SZ 36	1.082,00

Termostatico incasso 3 uscite
3 ways concealed thermostat
Thermostatique à encastrer avec 3 sorties
UP-Thermostat mit 3 Wege



RWIT 7275 ZZ 40 937,00

+ PARTI INCASSO - CONCEALED BODY
CORPS À ENCASTRER - UNTERPUTZTEIL



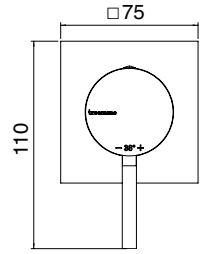


CC	RWIT 7582 CC 04	176,00
NN	RWIT 7582 NN 04	234,00
BB	RWIT 7582 BB 04	234,00
NL	RWIT 7582 NL 04	228,00
NF	RWIT 7582 NF 04	228,00
HH	RWIT 7582 HH 04	270,00
CZ	RWIT 7582 CZ 04	270,00
US	RWIT 7582 US 04	270,00
UZ	RWIT 7582 UZ 04	270,00
KK	RWIT 7582 KK 04	270,00
DD	RWIT 7582 DD 04	365,00
DZ	RWIT 7582 DZ 04	365,00
SZ	RWIT 7582 SZ 04	365,00

RWIT 7582 CC 02	142,00
RWIT 7582 NN 02	189,00
RWIT 7582 BB 02	189,00
RWIT 7582 NL 02	185,00
RWIT 7582 NF 02	185,00
RWIT 7582 HH 02	219,00
RWIT 7582 CZ 02	219,00
RWIT 7582 US 02	219,00
RWIT 7582 UZ 02	219,00
RWIT 7582 KK 02	219,00
RWIT 7582 DD 02	295,00
RWIT 7582 DZ 02	295,00
RWIT 7582 SZ 02	295,00

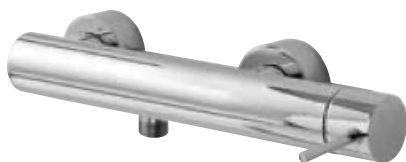
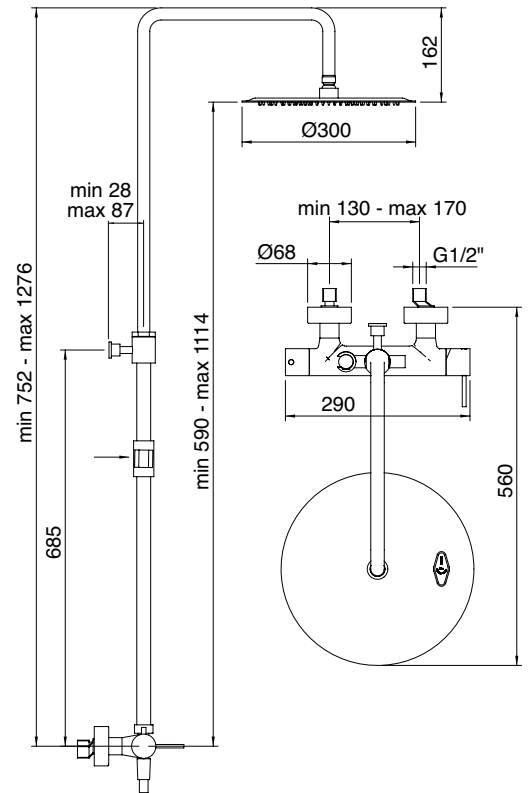
Termostatico incasso COAX
 Concealed thermostatic COAX
 Thermostatique à encastrer COAX
 UP-Thermostat COAX

PARTI INCASSO - CONCEALED BODY
 CORPS À ENCASTRER - UNTERPUTZTEIL



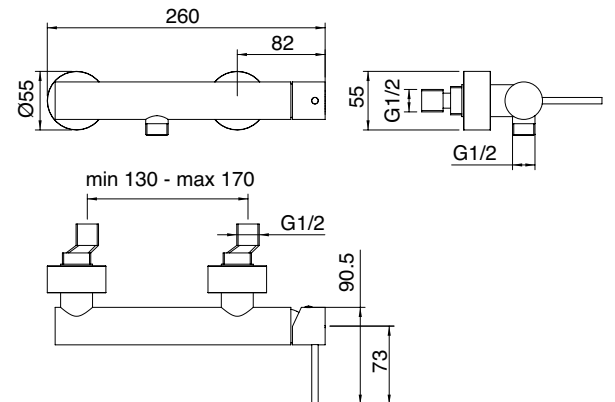
CC	IT 6B60 CC VL ZZ	834,00
NN	IT 6B60 NN VL ZZ	1.109,00
BB	IT 6B60 BB VL ZZ	1.109,00
NL	IT 6B60 NL VL ZZ	1.084,00
NF	IT 6B60 NF VL ZZ	1.084,00
HH	IT 6B60 HH VL ZZ	1.284,00
CZ	IT 6B60 CZ VL ZZ	1.284,00
US	IT 6B60 US VL ZZ	1.284,00
UZ	IT 6B60 UZ VL ZZ	1.284,00
KK	IT 6B60 KK VL ZZ	1.284,00
DD	IT 6B60 DD VL ZZ	1.733,00
DZ	IT 6B60 DZ VL ZZ	1.733,00
SZ	IT 6B60 SZ VL ZZ	1.733,00

Gruppo doccia con doccetta e soffione anticalcare
 Wall-mtd. shower set, anti-limescale
 hand-shower and shower head
 Mitigeur douche mural, douchette et tête
 de douche anticalcaire
 Regenbrause-Set, Antikalk Handbrause
 und Kopfbrause



CC	IT 5756 CC VL ZZ	293,00
NN	IT 5756 NN VL ZZ	375,00
BB	IT 5756 BB VL ZZ	375,00
NL	IT 5756 NL VL ZZ	401,00
NF	IT 5756 NF VL ZZ	401,00
HH	IT 5756 HH VL ZZ	451,00
CZ	IT 5756 CZ VL ZZ	451,00
US	IT 5756 US VL ZZ	451,00
UZ	IT 5756 UZ VL ZZ	451,00
KK	IT 5756 KK VL ZZ	439,00
DD	IT 5756 DD VL ZZ	608,00
DZ	IT 5756 DZ VL ZZ	608,00
SZ	IT 5756 SZ VL ZZ	608,00

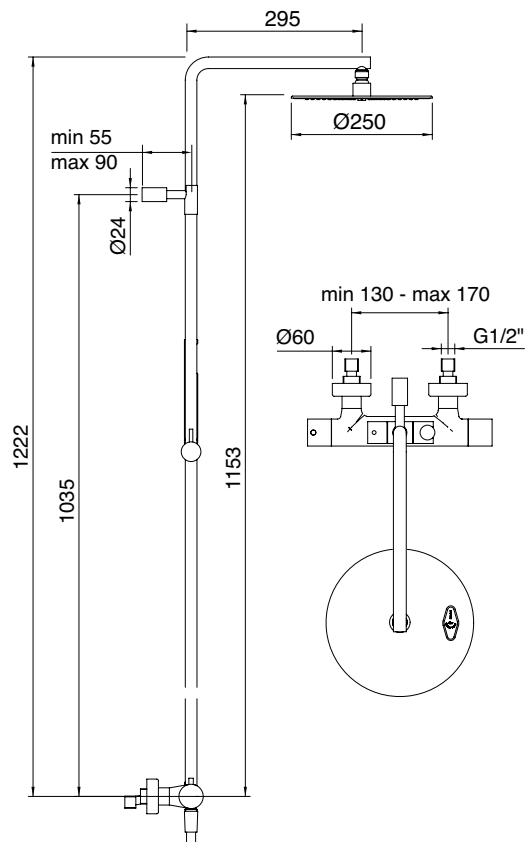
Miscelatore monocomando esterno doccia
 Wall-mtd. shower mixer
 Mitigeur douche mural
 AP-Brause-Einhandbatterie





CC	RWIT 6581 CC 25	876,00
NN	RWIT 6581 NN 25	1.172,00
BB	RWIT 6581 BB 25	1.172,00
NL	RWIT 6581 NL 25	1.149,00
NF	RWIT 6581 NF 25	1.149,00
HH	RWIT 6581 HH 25	1.349,00
CZ	RWIT 6581 CZ 25	1.349,00
US	RWIT 6581 US 25	1.349,00
UZ	RWIT 6581 UZ 25	1.349,00
KK	RWIT 6581 KK 25	1.567,00
DD	RWIT 6581 DD 25	1.821,00
DZ	RWIT 6581 DZ 25	1.821,00
SZ	RWIT 6581 SZ 25	1.821,00

Gruppo doccia termostatico con doccetta e soffione anticalcare
 Wall-mtd. thermostatic shower set with anti-limescale hand-shower and shower head
 Mitigeur thermostatique mural, douchette et tête de douche anticalcaire
 Regenbrause-Set mit Thermostat-Armatur, Antikalk Handbrause und Kopfbrause

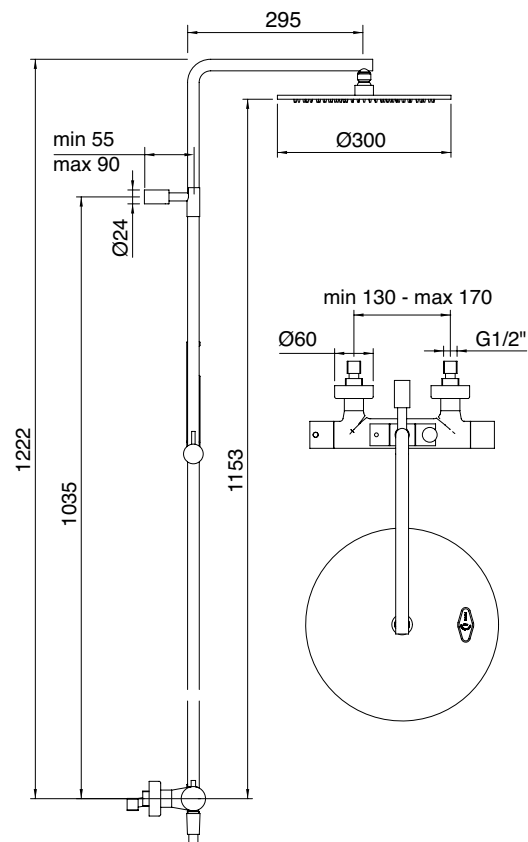


ITRTVT148ZZ ITRTVT172ZZ METAL 250 mm 1,5 M PVC METAL N° 67 9l/min 8l/min P_660



CC	IT 6581 CC ZZ ZZ	887,00
NN	IT 6581 NN ZZ ZZ	1.216,00
BB	IT 6581 BB ZZ ZZ	1.216,00
NL	IT 6581 NL ZZ ZZ	1.193,00
NF	IT 6581 NF ZZ ZZ	1.193,00
HH	IT 6581 HH ZZ ZZ	1.366,00
CZ	IT 6581 CZ ZZ ZZ	1.366,00
US	IT 6581 US ZZ ZZ	1.366,00
UZ	IT 6581 UZ ZZ ZZ	1.366,00
KK	IT 6581 KK ZZ ZZ	1.838,00
DD	IT 6581 DD ZZ ZZ	1.844,00
DZ	IT 6581 DZ ZZ ZZ	1.844,00
SZ	IT 6581 SZ ZZ ZZ	1.844,00

Gruppo doccia termostatico con doccetta e soffione anticalcare
 Wall-mtd. thermostatic shower set with anti-limescale hand-shower and shower head
 Mitigeur thermostatique mural, douchette et tête de douche anticalcaire
 Regenbrause-Set mit Thermostat-Armatur, Antikalk Handbrause und Kopfbrause



ITRTVT148ZZ ITRTVT172ZZ METAL 300 mm 1,5 M PVC METAL N° 67 9l/min 8l/min P_660

RAN

HASK

PA36

UP+





CC	IT 5845 CC VL ZZ	488,00
NN	IT 5845 NN VL ZZ	634,00
BB	IT 5845 BB VL ZZ	634,00
NL	IT 5845 NL VL ZZ	651,00
NF	IT 5845 NF VL ZZ	651,00
HH	IT 5845 HH VL ZZ	751,00
CZ	IT 5845 CZ VL ZZ	751,00
US	IT 5845 US VL ZZ	751,00
UZ	IT 5845 UZ VL ZZ	751,00
KK	IT 5845 KK VL ZZ	732,00
DD	IT 5845 DD VL ZZ	1.014,00
DZ	IT 5845 DZ VL ZZ	1.014,00
SZ	IT 5845 SZ VL ZZ	1.014,00

Termostatico esterno doccia
Wall-mtd. thermostatic mixer
Thermostatique mural
AP-Thermostat



ITRTVT148ZZ



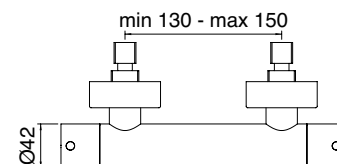
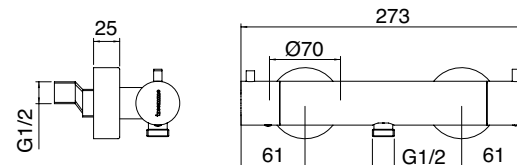
ITRTVT105CC



14 l/min



N° 67



CC	IT 5853 CC VL ZZ	407,00
NN	IT 5853 NN VL ZZ	528,00
BB	IT 5853 BB VL ZZ	528,00
NL	IT 5853 NL VL ZZ	542,00
NF	IT 5853 NF VL ZZ	542,00
HH	IT 5853 HH VL ZZ	627,00
CZ	IT 5853 CZ VL ZZ	627,00
US	IT 5853 US VL ZZ	627,00
UZ	IT 5853 UZ VL ZZ	627,00
KK	IT 5853 KK VL ZZ	610,00
DD	IT 5853 DD VL ZZ	845,00
DZ	IT 5853 DZ VL ZZ	845,00
SZ	IT 5853 SZ VL ZZ	845,00

Termostatico esterno doccia 3/4" - 1/2"
Wall-mtd. thermostatic mixer 3/4" - 1/2"
Thermostatique mural 3/4" - 1/2"
AP-Thermostat 3/4" - 1/2"



ITRTVT148ZZ



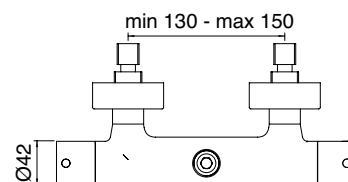
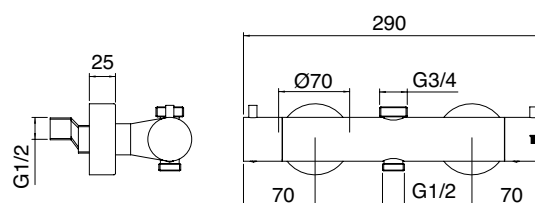
ITRTVT172ZZ



14 l/min



N° 67



CC	IT 6586 CC ZZ VS	311,00
NN	IT 6586 NN ZZ VS	414,00
BB	IT 6586 BB ZZ VS	414,00
NL	IT 6586 NL ZZ VS	404,00
NF	IT 6586 NF ZZ VS	404,00
HH	IT 6586 HH ZZ VS	478,00
CZ	IT 6586 CZ ZZ VS	478,00
US	IT 6586 US ZZ VS	478,00
UZ	IT 6586 UZ ZZ VS	478,00
KK	IT 6586 KK ZZ VS	478,00
DD	IT 6586 DD ZZ VS	646,00
DZ	IT 6586 DZ ZZ VS	646,00
SZ	IT 6586 SZ ZZ VS	646,00

Soffione a parete anticalcare
Anti-limescale shower-head
Douche de tête anticalcaire avec bras mural
Antikalk Kopfbrause mit Arm



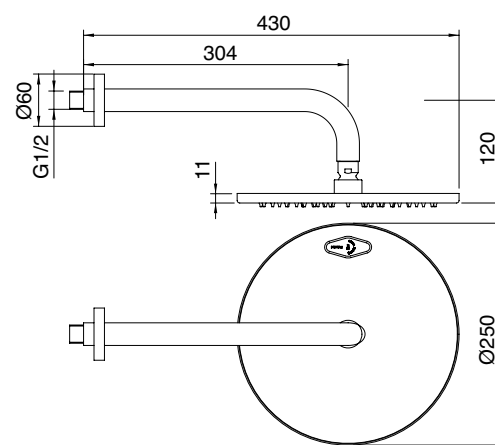
METAL 250 mm



9 l/min



1/2 M



CC	IT 6512 CC ZZ VS	353,00
NN	IT 6512 NN ZZ VS	470,00
BB	IT 6512 BB ZZ VS	470,00
NL	IT 6512 NL ZZ VS	459,00
NF	IT 6512 NF ZZ VS	459,00
HH	IT 6512 HH ZZ VS	544,00
CZ	IT 6512 CZ ZZ VS	544,00
US	IT 6512 US ZZ VS	544,00
UZ	IT 6512 UZ ZZ VS	544,00
KK	IT 6512 KK ZZ VS	544,00
DD	IT 6512 DD ZZ VS	734,00
DZ	IT 6512 DZ ZZ VS	734,00
SZ	IT 6512 SZ ZZ VS	734,00

Soffione a parete anticalcare
Anti-limescale shower-head
Douche de tête anticalcaire avec bras mural
Antikalk Kopfbrause mit Arm



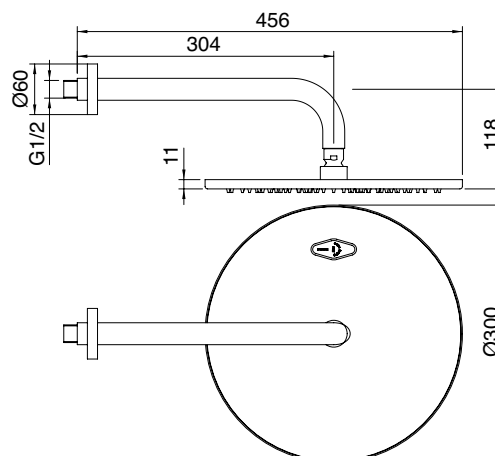
METAL 300 mm



9 l/min



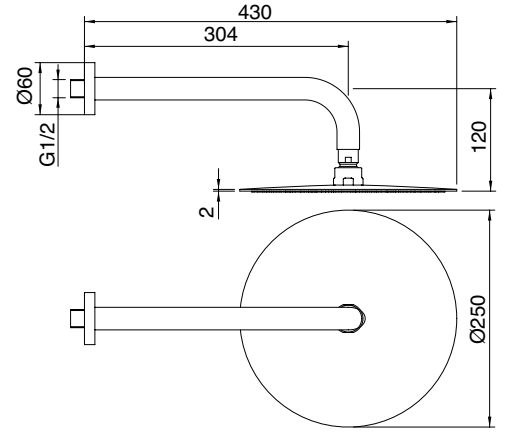
1/2 M



CC RWIT 6586 CC 20 227,00

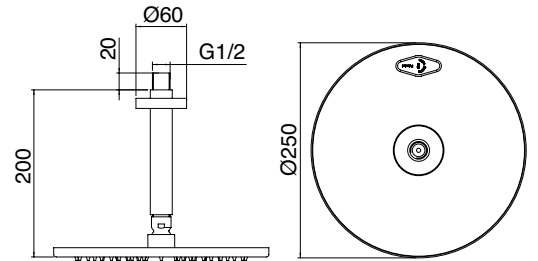
Soffione a parete anticalcare
 Anti-limescale shower-head
 Douche de tête anticalcaire avec bras mural
 Antikalk Kopfbrause mit Arm

- FUNZIONA A BASSA PRESSIONE
- IT WORKS AT A LOW PRESSURE
- FONCTIONNEMENT À BASSE PRESSION
- FUNKTIONALITÄT AUCH MIT WENIG WASSERDRUCK



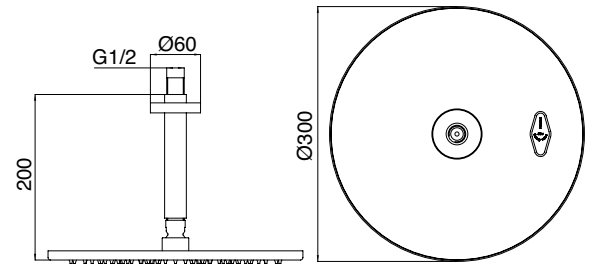
- | | | |
|-----------|------------------|--------|
| CC | IT 6587 CC ZZ VS | 292,00 |
| NN | IT 6587 NN ZZ VS | 388,00 |
| BB | IT 6587 BB ZZ VS | 388,00 |
| NL | IT 6587 NL ZZ VS | 380,00 |
| NF | IT 6587 NF ZZ VS | 380,00 |
| HH | IT 6587 HH ZZ VS | 449,00 |
| CZ | IT 6587 CZ ZZ VS | 449,00 |
| US | IT 6587 US ZZ VS | 449,00 |
| UZ | IT 6587 UZ ZZ VS | 449,00 |
| KK | IT 6587 KK ZZ VS | 449,00 |
| DD | IT 6587 DD ZZ VS | 606,00 |
| DZ | IT 6587 DZ ZZ VS | 606,00 |
| SZ | IT 6587 SZ ZZ VS | 606,00 |

Soffione a soffitto anticalcare
 Ceiling anti-limescale shower-head
 Douche de tête anticalcaire avec bras au plafond
 Antikalk Regenbrause mit Deckenanbindung



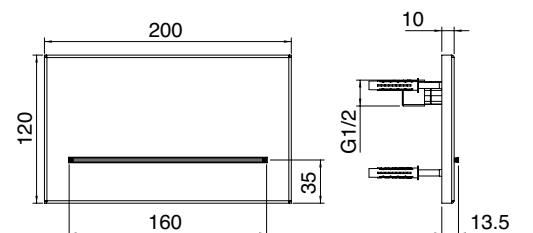
- | | | |
|-----------|------------------|--------|
| CC | IT 6511 CC ZZ VS | 347,00 |
| NN | IT 6511 NN ZZ VS | 462,00 |
| BB | IT 6511 BB ZZ VS | 462,00 |
| NL | IT 6511 NL ZZ VS | 451,00 |
| NF | IT 6511 NF ZZ VS | 451,00 |
| HH | IT 6511 HH ZZ VS | 535,00 |
| CZ | IT 6511 CZ ZZ VS | 535,00 |
| US | IT 6511 US ZZ VS | 535,00 |
| UZ | IT 6511 UZ ZZ VS | 535,00 |
| KK | IT 6511 KK ZZ VS | 535,00 |
| DD | IT 6511 DD ZZ VS | 721,00 |
| DZ | IT 6511 DZ ZZ VS | 721,00 |
| SZ | IT 6511 SZ ZZ VS | 721,00 |

Soffione a soffitto anticalcare
 Ceiling anti-limescale shower-head
 Douche de tête anticalcaire avec bras au plafond
 Antikalk Regenbrause mit Deckenanbindung



- | | | |
|-----------|-----------------|----------|
| CC | RWIT 6573 CC 05 | 536,00 |
| NN | RWIT 6573 NN 05 | 713,00 |
| BB | RWIT 6573 BB 05 | 713,00 |
| NL | RWIT 6573 NL 05 | 697,00 |
| NF | RWIT 6573 NF 05 | 697,00 |
| HH | RWIT 6573 HH 05 | 826,00 |
| CZ | RWIT 6573 CZ 05 | 826,00 |
| DD | RWIT 6573 DD 05 | 1.115,00 |
| DZ | RWIT 6573 DZ 05 | 1.115,00 |
| SZ | RWIT 6573 SZ 05 | 1.115,00 |

Bocca ad incasso
 Concealed spout
 Bec à encastrer
 UP-Einlauf





IT 6586 CC ZZ VS + RWIT 6BB1 CC 01 + RWIT 2705 CC 74

RAN

HASK

PA36

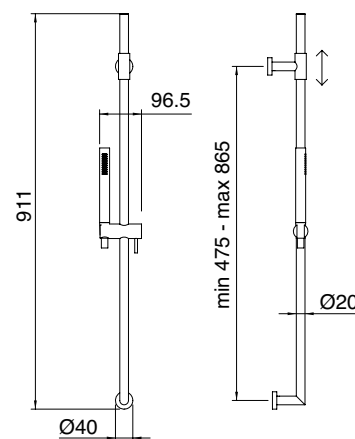
UP+





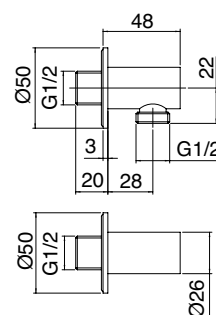
CC	IT 6529 CC ZZ ZZ	223,00
NN	IT 6529 NN ZZ ZZ	319,00
BB	IT 6529 BB ZZ ZZ	319,00
NL	IT 6529 NL ZZ ZZ	315,00
NF	IT 6529 NF ZZ ZZ	315,00
HH	IT 6529 HH ZZ ZZ	343,00
CZ	IT 6529 CZ ZZ ZZ	343,00
US	IT 6529 US ZZ ZZ	343,00
UZ	IT 6529 UZ ZZ ZZ	343,00
KK	IT 6529 KK ZZ ZZ	335,00
DD	IT 6529 DD ZZ ZZ	446,00
DZ	IT 6529 DZ ZZ ZZ	463,00
SZ	IT 6529 SZ ZZ ZZ	463,00

Kit saliscendi senza presa acqua
Sliding-bar kit without wall hose outlet
Barre coulissante sans coude mural
Gleitstange ohne Wandanschlussbogen



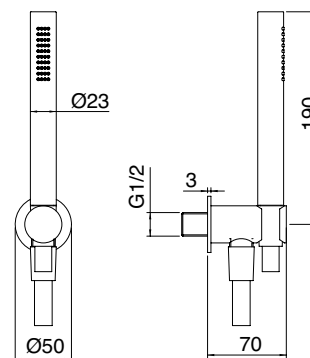
CC	IT RTGA 123 CC	25,00
NN	IT RTGA 123 NN	39,00
BB	IT RTGA 123 BB	39,00
NL	IT RTGA 123 NL	49,00
NF	IT RTGA 123 NF	49,00
HH	IT RTGA 123 HH	27,00
CZ	IT RTGA 123 CZ	27,00
US	IT RTGA 123 US	27,00
UZ	IT RTGA 123 UZ	27,00
KK	IT RTGA 123 KK	27,00
DD	IT RTGA 123 DD	34,00
DZ	IT RTGA 123 DZ	38,00
SZ	IT RTGA 123 SZ	38,00

Presa acqua a muro
Wall hose outlet
Coude mural
Wandanschlussbogen



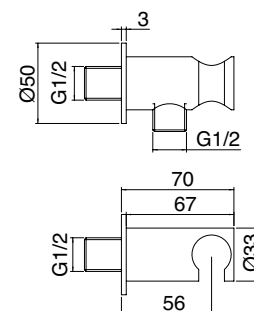
CC	RWIT 2705 CC 74	123,00
NN	RWIT 2705 NN 74	189,00
BB	RWIT 2705 BB 74	189,00
NL	RWIT 2705 NL 74	184,00
NF	RWIT 2705 NF 74	184,00
HH	RWIT 2705 HH 74	189,00
CZ	RWIT 2705 CZ 74	189,00
US	RWIT 2705 US 74	189,00
UZ	RWIT 2705 UZ 74	189,00
KK	RWIT 2705 KK 74	186,00
DD	RWIT 2705 DD 74	257,00
DZ	RWIT 2705 DZ 74	255,00
SZ	RWIT 2705 SZ 74	255,00

Kit gancio, flessibile, doccia
Hook, flexible and hand shower kit
Kit support, flexible et douchette
Brausehalter, Schlauch und Handbrause



CC	IT RTGA 122 CC	55,00
NN	IT RTGA 122 NN	73,00
BB	IT RTGA 122 BB	73,00
NL	IT RTGA 122 NL	76,00
NF	IT RTGA 122 NF	76,00
HH	IT RTGA 122 HH	84,00
CZ	IT RTGA 122 CZ	84,00
US	IT RTGA 122 US	84,00
UZ	IT RTGA 122 UZ	84,00
KK	IT RTGA 122 KK	82,00
DD	IT RTGA 122 DD	105,00
DZ	IT RTGA 122 DZ	113,00
SZ	IT RTGA 122 SZ	113,00

Presa acqua con gancio fisso
Hand-shower hook with wall hose outlet
Support pour douchette fixe avec coude mural
Brausehalter mit Wandanschlussbogen





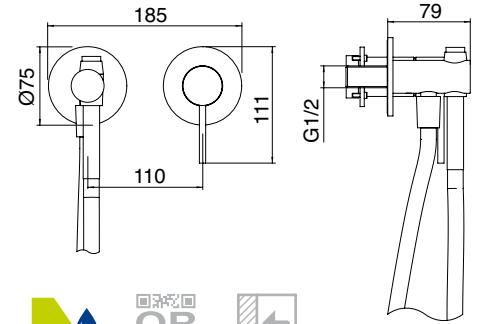
CC	RWIT 6BD4 CC 02	234,00
NN	RWIT 6BD4 NN 02	332,00
BB	RWIT 6BD4 BB 02	332,00
NL	RWIT 6BD4 NL 02	328,00
NF	RWIT 6BD4 NF 02	328,00
HH	RWIT 6BD4 HH 02	402,00
CZ	RWIT 6BD4 CZ 02	402,00
US	RWIT 6BD4 US 02	402,00
UZ	RWIT 6BD4 UZ 02	402,00
KK	RWIT 6BD4 KK 02	402,00
DD	RWIT 6BD4 DD 02	517,00
DZ	RWIT 6BD4 DZ 02	517,00
SZ	RWIT 6BD4 SZ 02	517,00

Miscelatore incasso con doccia per WC
 Concealed mixer with wc hand shower
 Mitigeur à encastrer avec douche WC
 U-P Mischer mit WC Handbrause



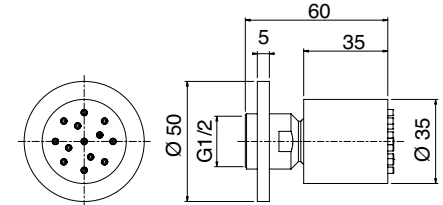
RWIT 51A5 ZZ 01 138,00

+ PARTI INCASSO - CONCEALED BODY
 CORPS À ENCASTRER - UNTERPUTZTEIL



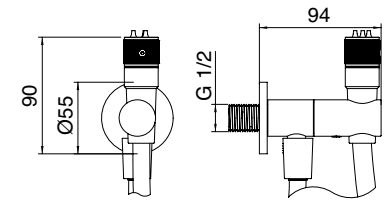
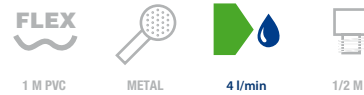
CC	IT RTBR 205 CC	64,00
NN	IT RTBR 205 NN	86,00
BB	IT RTBR 205 BB	86,00
NL	IT RTBR 205 NL	112,00
NF	IT RTBR 205 NF	112,00
HH	IT RTBR 205 HH	99,00
CZ	IT RTBR 205 CZ	99,00
US	IT RTBR 205 US	99,00
UZ	IT RTBR 205 UZ	99,00
KK	IT RTBR 205 KK	99,00
DD	IT RTBR 205 DD	133,00
DZ	IT RTBR 205 DZ	133,00
SZ	IT RTBR 205 SZ	133,00

Soffione laterale
 Nozzle
 Buse
 Düse

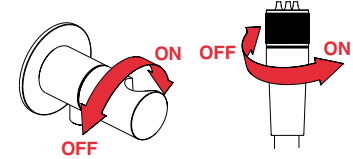


CC	RWIT 6565 CC 05	273,00
NN	RWIT 6565 NN 05	364,00
BB	RWIT 6565 BB 05	364,00
NL	RWIT 6565 NL 05	356,00
NF	RWIT 6565 NF 05	356,00
HH	RWIT 6565 HH 05	422,00
CZ	RWIT 6565 CZ 05	422,00
US	RWIT 6565 US 05	422,00
UZ	RWIT 6565 UZ 05	422,00
KK	RWIT 6565 KK 05	422,00
DD	RWIT 6565 DD 05	569,00
DZ	RWIT 6565 DZ 05	569,00
SZ	RWIT 6565 SZ 05	569,00

Idroscopino per WC
 WC hand shower set
 Douchette pour WC
 Handbrause Set für WC



INSTRUCTION FOR USE



Per ulteriori composizioni doccia vedi sezione SHOWERS & THERMOSTATICS

For other shower fittings check the SHOWERS & THERMOSTATICS section

Pour d'autres solutions douche voir section SHOWERS & THERMOSTATICS

Für weitere duschaustattungen siehe abschnitt SHOWERS & THERMOSTATICS

Time - Time_out

design by marco pisati

chrome **CC**

matt black **NN**

matt white **BB**

brushed nickel **NF**

polished black chrome **HH**



Time - Time_out

RAN

HASK

PA36

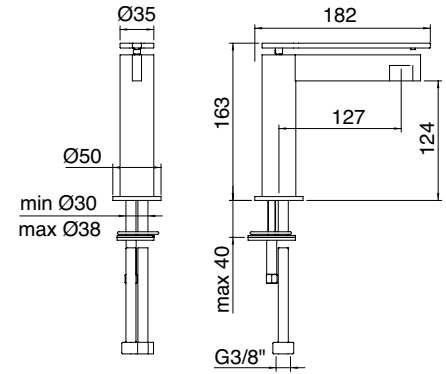
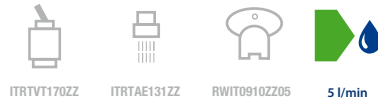
UP+

TIME - TIME_OUT



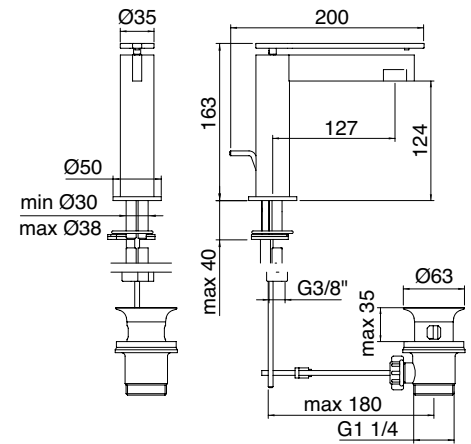
CC	IT 5111 CC TM ZZ	230,00
NN	IT 5111 NN TM ZZ	305,00
BB	IT 5111 BB TM ZZ	305,00
NF	IT 5111 NF TM ZZ	298,00
HH	IT 5111 HH TM ZZ	353,00
CC+T	IT 5111 CC T_ ZZ	259,00
NN+T	IT 5111 NN T_ ZZ	334,00
BB+T	IT 5111 BB T_ ZZ	334,00
NF+T	IT 5111 NF T_ ZZ	327,00
HH+T	IT 5111 HH T_ ZZ	382,00

Miscelatore monocomando lavabo 124
Washbasin mixer 124
Mitigeur lavabo 124
Einhand-Waschtischmischer 124



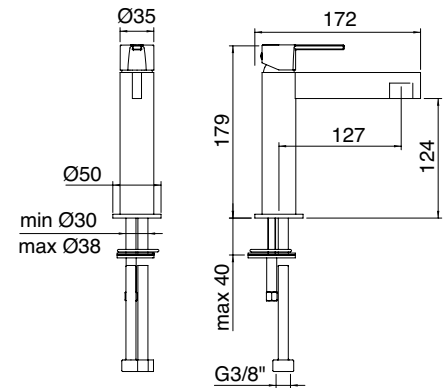
CC	IT 5110 CC TM ZZ	255,00
NN	IT 5110 NN TM ZZ	338,00
BB	IT 5110 BB TM ZZ	338,00
NF	IT 5110 NF TM ZZ	330,00
HH	IT 5110 HH TM ZZ	392,00
CC+T	IT 5110 CC T_ ZZ	283,00
NN+T	IT 5110 NN T_ ZZ	367,00
BB+T	IT 5110 BB T_ ZZ	367,00
NF+T	IT 5110 NF T_ ZZ	359,00
HH+T	IT 5110 HH T_ ZZ	420,00

Miscelatore monocomando lavabo 124
Washbasin mixer 124
Mitigeur lavabo 124
Einhand-Waschtischmischer 124



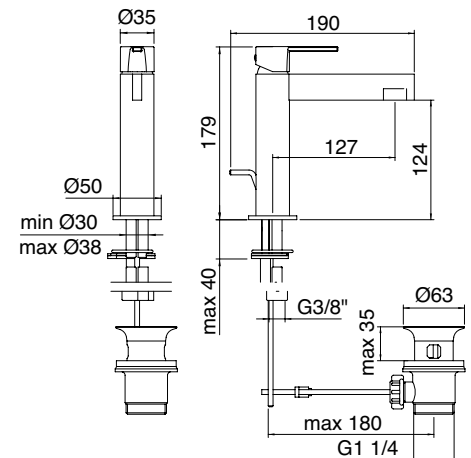
CC	IT 5111 CC TL ZZ	200,00
NN	IT 5111 NN TL ZZ	266,00
BB	IT 5111 BB TL ZZ	266,00
NF	IT 5111 NF TL ZZ	261,00
HH	IT 5111 HH TL ZZ	308,00

Miscelatore monocomando lavabo 124
Washbasin mixer 124
Mitigeur lavabo 124
Einhand-Waschtischmischer 124



CC	IT 5110 CC TL ZZ	226,00
NN	IT 5110 NN TL ZZ	299,00
BB	IT 5110 BB TL ZZ	299,00
NF	IT 5110 NF TL ZZ	293,00
HH	IT 5110 HH TL ZZ	347,00

Miscelatore monocomando lavabo 124
Washbasin mixer 124
Mitigeur lavabo 124
Einhand-Waschtischmischer 124





RAN

HASK

PA36

UP+

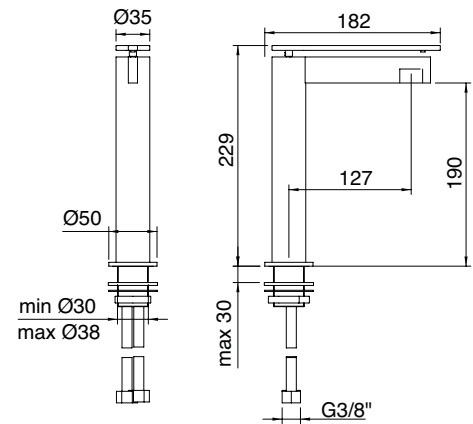
TIME - TIME_OUT





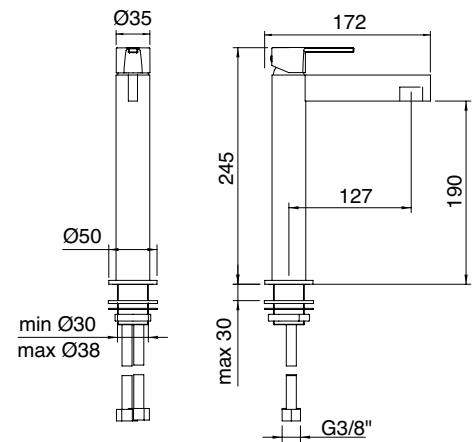
CC	IT 5127 CC TM ZZ	315,00
NN	IT 5127 NN TM ZZ	418,00
BB	IT 5127 BB TM ZZ	418,00
NF	IT 5127 NF TM ZZ	408,00
HH	IT 5127 HH TM ZZ	484,00
CC+T	IT 5127 CC T_ ZZ	343,00
NN+T	IT 5127 NN T_ ZZ	446,00
BB+T	IT 5127 BB T_ ZZ	446,00
NF+T	IT 5127 NF T_ ZZ	437,00
HH+T	IT 5127 HH T_ ZZ	512,00

Miscelatore monocomando lavabo 190
 Washbasin mixer 190
 Mitigeur lavabo 190
 Einhand-Waschtischmischer 190



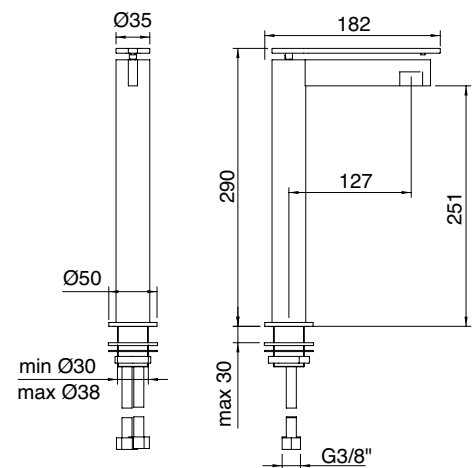
CC	IT 5127 CC TL ZZ	286,00
NN	IT 5127 NN TL ZZ	380,00
BB	IT 5127 BB TL ZZ	380,00
NF	IT 5127 NF TL ZZ	371,00
HH	IT 5127 HH TL ZZ	439,00

Miscelatore monocomando lavabo 190
 Washbasin mixer 190
 Mitigeur lavabo 190
 Einhand-Waschtischmischer 190



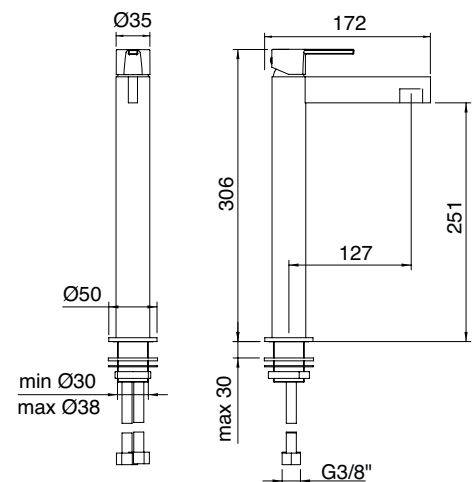
CC	IT 5118 CC TM ZZ	339,00
NN	IT 5118 NN TM ZZ	451,00
BB	IT 5118 BB TM ZZ	451,00
NF	IT 5118 NF TM ZZ	440,00
HH	IT 5118 HH TM ZZ	521,00
CC+T	IT 5118 CC T_ ZZ	368,00
NN+T	IT 5118 NN T_ ZZ	479,00
BB+T	IT 5118 BB T_ ZZ	479,00
NF+T	IT 5118 NF T_ ZZ	469,00
HH+T	IT 5118 HH T_ ZZ	549,00

Miscelatore monocomando lavabo 251
 Washbasin mixer 251
 Mitigeur lavabo 251
 Einhand-Waschtischmischer 251



CC	IT 5118 CC TL ZZ	309,00
NN	IT 5118 NN TL ZZ	411,00
BB	IT 5118 BB TL ZZ	411,00
NF	IT 5118 NF TL ZZ	403,00
HH	IT 5118 HH TL ZZ	476,00

Miscelatore monocomando lavabo 251
 Washbasin mixer 251
 Mitigeur lavabo 251
 Einhand-Waschtischmischer 251



Time - Time_out

RAN
HASK
PA36
UP+
TIME - TIME_OUT

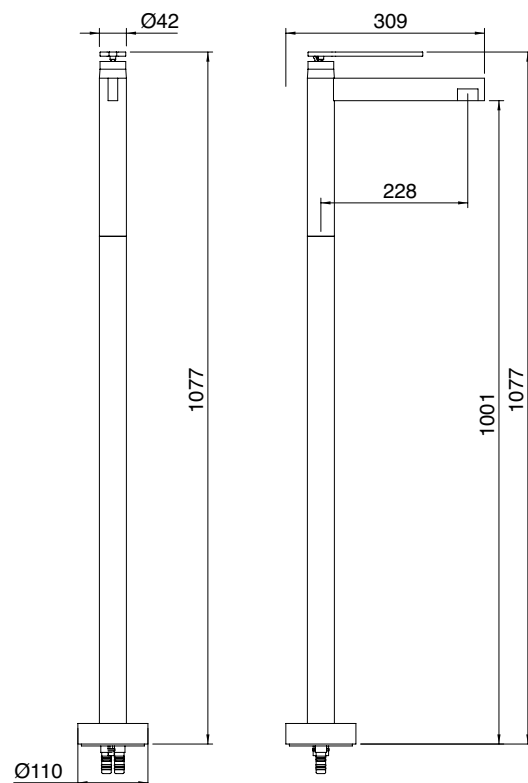


CC	RWIT 5114 CC TM	736,00
NN	RWIT 5114 NN TM	1.046,00
BB	RWIT 5114 BB TM	1.046,00
NF	RWIT 5114 NF TM	1.032,00
HH	RWIT 5114 HH TM	1.265,00
CC+T	RWIT 5114 CC T_	765,00
NN+T	RWIT 5114 NN T_	1.075,00
BB+T	RWIT 5114 BB T_	1.075,00
NF+T	RWIT 5114 NF T_	1.059,00
HH+T	RWIT 5114 HH T_	1.294,00

Miscelatore monocomando lavabo da terra
Floor standing washbasin mixer
Mitigeur lavabo sur colonne au sol
Waschtisch-Einhebelmischer Standarmatur

RWIT 5703 ZZ 07 212,00

+  PARTI INCASSO - CONCEALED BODY
CORPS À ENCASTRER - UNTERPUTZTEIL

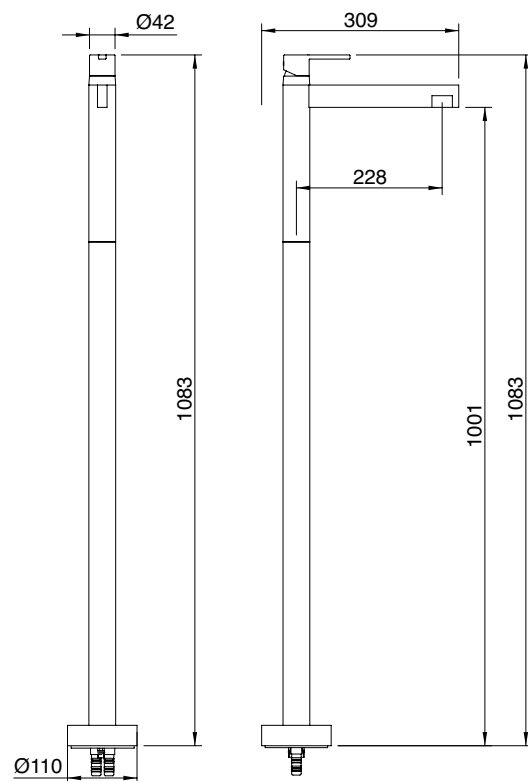


CC	RWIT 5114 CC 20	707,00
NN	RWIT 5114 NN 20	1.005,00
BB	RWIT 5114 BB 20	1.005,00
NF	RWIT 5114 NF 20	989,00
HH	RWIT 5114 HH 20	1.217,00

Miscelatore monocomando lavabo da terra
Floor standing washbasin mixer
Mitigeur lavabo sur colonne au sol
Waschtisch-Einhebelmischer Standarmatur

RWIT 5703 ZZ 07 212,00

+  PARTI INCASSO - CONCEALED BODY
CORPS À ENCASTRER - UNTERPUTZTEIL





RWIT 51A5 NF 02

Time - Time_out

RAN

HASK

PA36

UP+

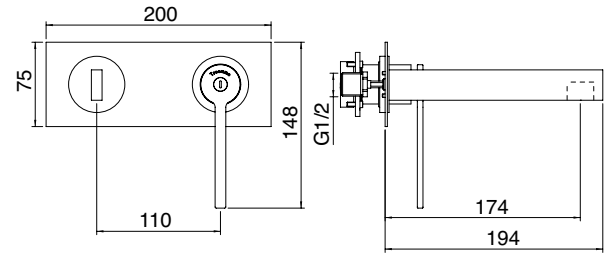
TIME - TIME_OUT



CC	RWIT 51A5 CC TM	258,00
NN	RWIT 51A5 NN TM	365,00
BB	RWIT 51A5 BB TM	365,00
NF	RWIT 51A5 NF TM	361,00
HH	RWIT 51A5 HH TM	442,00
CC+T	RWIT 51A5 CC T_	287,00
NN+T	RWIT 51A5 NN T_	394,00
BB+T	RWIT 51A5 BB T_	394,00
NF+T	RWIT 51A5 NF T_	389,00
HH+T	RWIT 51A5 HH T_	471,00

Miscelatore monocomando lavabo incasso 174
 Concealed washbasin mixer 174
 Mitigeur lavabo à encastrer 174
 UP-Einhand-Waschtischmischer 174

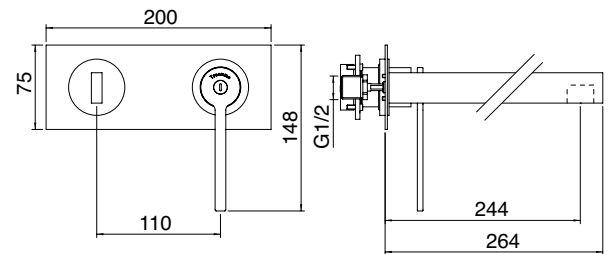
RWIT 51A5 ZZ 01 138,00
 + PARTI INCASSO - CONCEALED BODY
 CORPS À ENCASTRER - UNTERPUTZTEIL



CC	RWIT 51A6 CC TM	287,00
NN	RWIT 51A6 NN TM	406,00
BB	RWIT 51A6 BB TM	406,00
NF	RWIT 51A6 NF TM	401,00
HH	RWIT 51A6 HH TM	492,00
CC+T	RWIT 51A6 CC T_	315,00
NN+T	RWIT 51A6 NN T_	435,00
BB+T	RWIT 51A6 BB T_	435,00
NF+T	RWIT 51A6 NF T_	430,00
HH+T	RWIT 51A6 HH T_	521,00

Miscelatore monocomando lavabo incasso 244
 Concealed washbasin mixer 244
 Mitigeur lavabo à encastrer 244
 UP-Einhand-Waschtischmischer 244

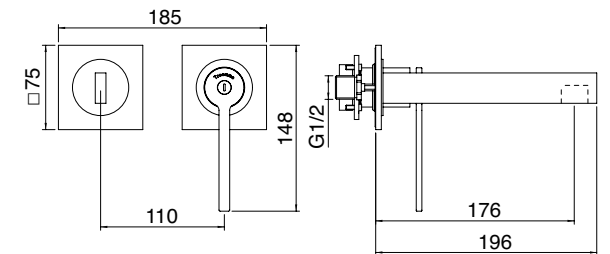
RWIT 51A5 ZZ 01 138,00
 + PARTI INCASSO - CONCEALED BODY
 CORPS À ENCASTRER - UNTERPUTZTEIL



CC	RWIT 51C5 CC TM	278,00
NN	RWIT 51C5 NN TM	394,00
BB	RWIT 51C5 BB TM	394,00
NF	RWIT 51C5 NF TM	388,00
HH	RWIT 51C5 HH TM	476,00
CC+T	RWIT 51C5 CC T_	306,00
NN+T	RWIT 51C5 NN T_	422,00
BB+T	RWIT 51C5 BB T_	422,00
NF+T	RWIT 51C5 NF T_	417,00
HH+T	RWIT 51C5 HH T_	505,00

Miscelatore monocomando lavabo incasso 176
 Concealed washbasin mixer 176
 Mitigeur lavabo à encastrer 176
 UP-Einhand-Waschtischmischer 176

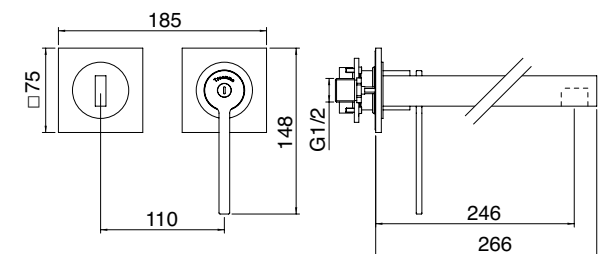
RWIT 51A5 ZZ 01 138,00
 + PARTI INCASSO - CONCEALED BODY
 CORPS À ENCASTRER - UNTERPUTZTEIL



CC	RWIT 51C6 CC TM	306,00
NN	RWIT 51C6 NN TM	435,00
BB	RWIT 51C6 BB TM	435,00
NF	RWIT 51C6 NF TM	429,00
HH	RWIT 51C6 HH TM	526,00
CC+T	RWIT 51C6 CC T_	335,00
NN+T	RWIT 51C6 NN T_	464,00
BB+T	RWIT 51C6 BB T_	464,00
NF+T	RWIT 51C6 NF T_	457,00
HH+T	RWIT 51C6 HH T_	555,00

Miscelatore monocomando lavabo incasso 246
 Concealed washbasin mixer 246
 Mitigeur lavabo à encastrer 246
 UP-Einhand-Waschtischmischer 246

RWIT 51A5 ZZ 01 138,00
 + PARTI INCASSO - CONCEALED BODY
 CORPS À ENCASTRER - UNTERPUTZTEIL

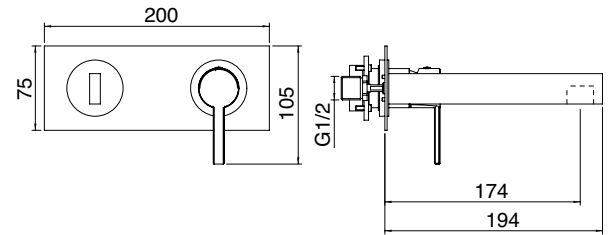


CC	RWIT 51A5 CC 02	230,00
NN	RWIT 51A5 NN 02	326,00
BB	RWIT 51A5 BB 02	326,00
NF	RWIT 51A5 NF 02	322,00
HH	RWIT 51A5 HH 02	395,00

RWIT 51A5 ZZ 01 138,00
 +  **PARTI INCASSO - CONCEALED BODY**
CORPS À ENCASTRER - UNTERPUTZTEIL



Miscelatore monocomando lavabo incasso 174
 Concealed washbasin mixer 174
 Mitigeur lavabo à encastrer 174
 UP-Einhand-Waschtischmischer 174

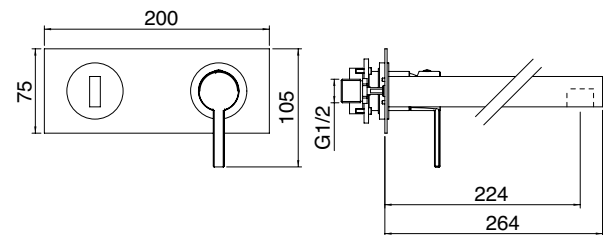


CC	RWIT 51A6 CC 02	256,00
NN	RWIT 51A6 NN 02	362,00
BB	RWIT 51A6 BB 02	362,00
NF	RWIT 51A6 NF 02	358,00
HH	RWIT 51A6 HH 02	438,00

RWIT 51A5 ZZ 01 138,00
 +  **PARTI INCASSO - CONCEALED BODY**
CORPS À ENCASTRER - UNTERPUTZTEIL



Miscelatore monocomando lavabo incasso 224
 Concealed washbasin mixer 224
 Mitigeur lavabo à encastrer 224
 UP-Einhand-Waschtischmischer 224

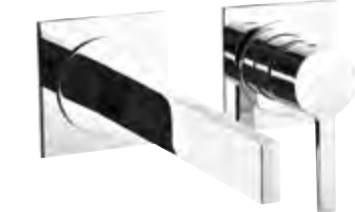
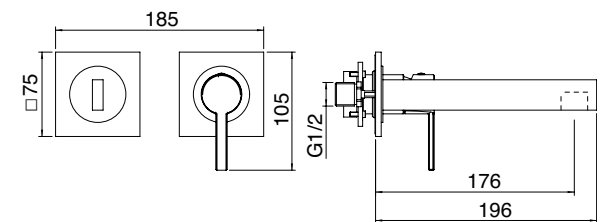


CC	RWIT 51C5 CC 02	248,00
NN	RWIT 51C5 NN 02	351,00
BB	RWIT 51C5 BB 02	351,00
NF	RWIT 51C5 NF 02	346,00
HH	RWIT 51C5 HH 02	425,00

RWIT 51A5 ZZ 01 138,00
 +  **PARTI INCASSO - CONCEALED BODY**
CORPS À ENCASTRER - UNTERPUTZTEIL



Miscelatore monocomando lavabo incasso 176
 Concealed washbasin mixer 176
 Mitigeur lavabo à encastrer 176
 UP-Einhand-Waschtischmischer 176

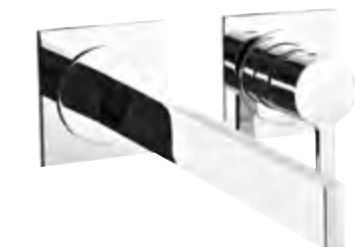
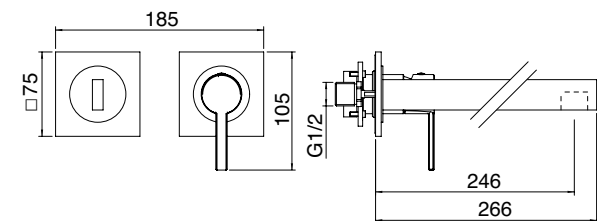


CC	RWIT 51C6 CC 02	276,00
NN	RWIT 51C6 NN 02	391,00
BB	RWIT 51C6 BB 02	391,00
NF	RWIT 51C6 NF 02	385,00
HH	RWIT 51C6 HH 02	473,00

RWIT 51A5 ZZ 01 138,00
 +  **PARTI INCASSO - CONCEALED BODY**
CORPS À ENCASTRER - UNTERPUTZTEIL



Miscelatore monocomando lavabo incasso 246
 Concealed washbasin mixer 246
 Mitigeur lavabo à encastrer 246
 UP-Einhand-Waschtischmischer 246



Time - Time_out

RAN

HASK

PA36

UP+

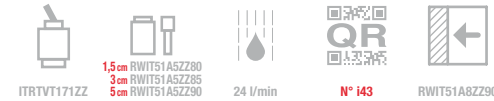
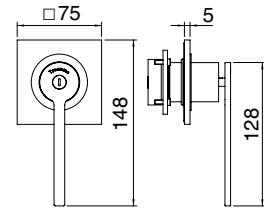
TIME - TIME_OUT



CC	RWIT 51C8 CC TM	197,00
NN	RWIT 51C8 NN TM	280,00
BB	RWIT 51C8 BB TM	280,00
NF	RWIT 51C8 NF TM	276,00
HH	RWIT 51C8 HH TM	338,00
CC+T	RWIT 51C8 CC T_	226,00
NN+T	RWIT 51C8 NN T_	308,00
BB+T	RWIT 51C8 BB T_	308,00
NF+T	RWIT 51C8 NF T_	304,00
HH+T	RWIT 51C8 HH T_	367,00

RWIT 51A8 ZZ 03 128,00

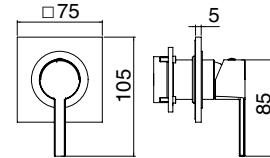
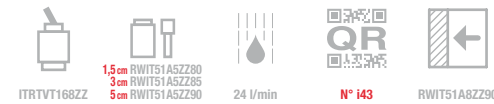
+ PARTI INCASSO - CONCEALED BODY
CORPS À ENCASTRER - UNTERPUTZTEIL



CC	RWIT 51C8 CC 01	150,00
NN	RWIT 51C8 NN 01	212,00
BB	RWIT 51C8 BB 01	212,00
NF	RWIT 51C8 NF 01	209,00
HH	RWIT 51C8 HH 01	257,00

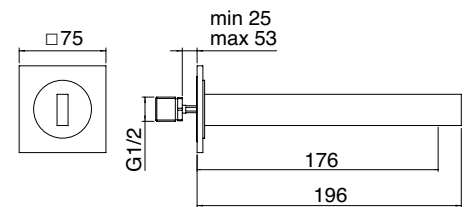
RWIT 51A8 ZZ 03 128,00

+ PARTI INCASSO - CONCEALED BODY
CORPS À ENCASTRER - UNTERPUTZTEIL



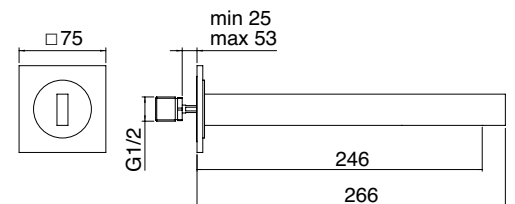
CC	IT 5163 CC ZZ ZZ	157,00
NN	IT 5163 NN ZZ ZZ	209,00
BB	IT 5163 BB ZZ ZZ	209,00
NF	IT 5163 NF ZZ ZZ	204,00
HH	IT 5163 HH ZZ ZZ	242,00

Bocca a muro 176
Wall-mtd. spout 176
Bec mural 176
Wandauslauf 176



CC	IT 5161 CC ZZ ZZ	180,00
NN	IT 5161 NN ZZ ZZ	238,00
BB	IT 5161 BB ZZ ZZ	238,00
NF	IT 5161 NF ZZ ZZ	233,00
HH	IT 5161 HH ZZ ZZ	276,00

Bocca a muro 246
Wall-mtd. spout 246
Bec mural 246
Wandauslauf 246



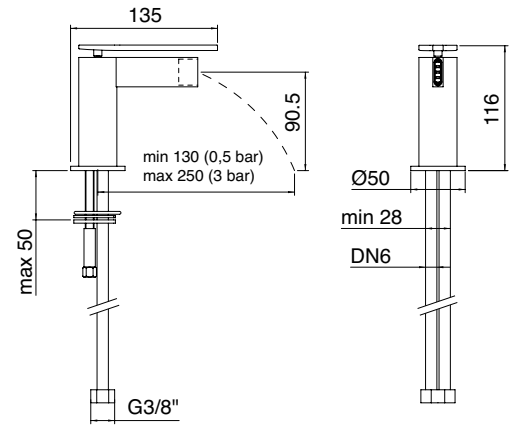


CC	IT 5122 CC TM ZZ	230,00
NN	IT 5122 NN TM ZZ	305,00
BB	IT 5122 BB TM ZZ	305,00
NF	IT 5122 NF TM ZZ	298,00
HH	IT 5122 HH TM ZZ	353,00
CC+T	IT 5122 CC T_ ZZ	259,00
NN+T	IT 5122 NN T_ ZZ	334,00
BB+T	IT 5122 BB T_ ZZ	334,00
NF+T	IT 5122 NF T_ ZZ	327,00
HH+T	IT 5122 HH T_ ZZ	382,00

Miscelatore monocomando bidet
 Bidet mixer
 Mitigeur bidet
 Einhand-Bidetmischer



ITRTVT170ZZ ITRTAE132ZZ 5 l/min

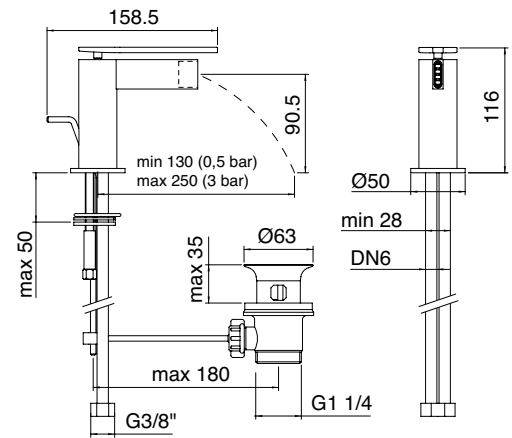


CC	IT 5120 CC TM ZZ	255,00
NN	IT 5120 NN TM ZZ	338,00
BB	IT 5120 BB TM ZZ	338,00
NF	IT 5120 NF TM ZZ	330,00
HH	IT 5120 HH TM ZZ	392,00
CC+T	IT 5120 CC T_ ZZ	283,00
NN+T	IT 5120 NN T_ ZZ	367,00
BB+T	IT 5120 BB T_ ZZ	367,00
NF+T	IT 5120 NF T_ ZZ	359,00
HH+T	IT 5120 HH T_ ZZ	396,00

Miscelatore monocomando bidet
 Bidet mixer
 Mitigeur bidet
 Einhand-Bidetmischer



ITRTVT170ZZ ITRTSA106 ITRTAE132ZZ 5 l/min

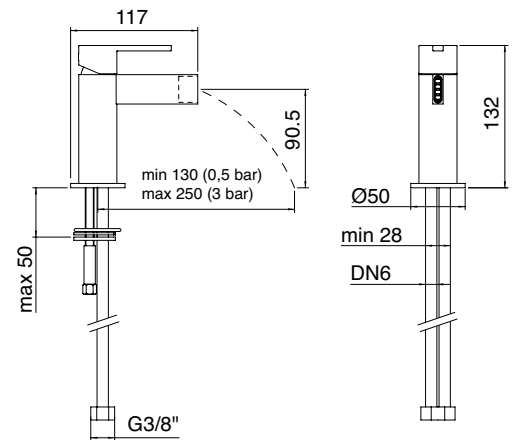


CC	IT 5122 CC TL ZZ	200,00
NN	IT 5122 NN TL ZZ	266,00
BB	IT 5122 BB TL ZZ	266,00
NF	IT 5122 NF TL ZZ	261,00
HH	IT 5122 HH TL ZZ	308,00

Miscelatore monocomando bidet
 Bidet mixer
 Mitigeur bidet
 Einhand-Bidetmischer



ITRTVT173ZZ ITRTAE132ZZ 5 l/min

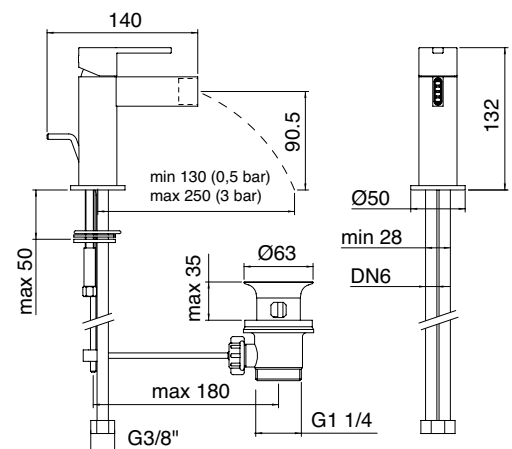


CC	IT 5120 CC TL ZZ	226,00
NN	IT 5120 NN TL ZZ	299,00
BB	IT 5120 BB TL ZZ	299,00
NF	IT 5120 NF TL ZZ	293,00
HH	IT 5120 HH TL ZZ	347,00

Miscelatore monocomando bidet
 Bidet mixer
 Mitigeur bidet
 Einhand-Bidetmischer



ITRTVT173ZZ ITRTSA106 ITRTAE132ZZ 5 l/min



RAN

HASK

PA36

UP+

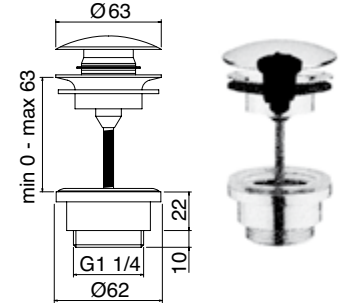
TIME - TIME_OUT





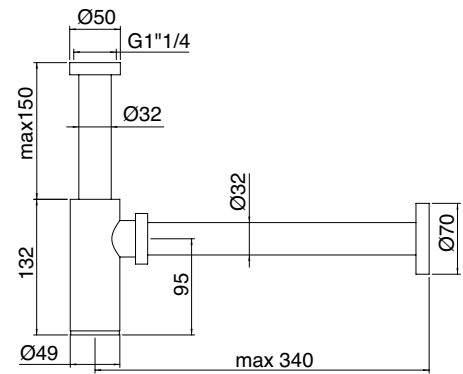
CC	IT RTSA 117 CC	28,00
NN	IT RTSA 117 NN	38,00
BB	IT RTSA 117 BB	38,00
NF	IT RTSA 117 NF	39,00
HH	IT RTSA 117 HH	45,00

Scarico click-clack universale con inserto per sempre aperto
 Universal up/down pop-up waste with adaptor for continuous water flow
 Bonde click-clack universelle avec option écoulement libre
 Universal-Ablaufgarnitur Click-Clack mit Verschußperre



CC	IT 0405 CC ZZ ZZ	88,00
NN	IT 0405 NN ZZ ZZ	177,00
BB	IT 0405 BB ZZ ZZ	177,00
NF	IT 0405 NF ZZ ZZ	167,00
HH	IT 0405 HH ZZ ZZ	136,00

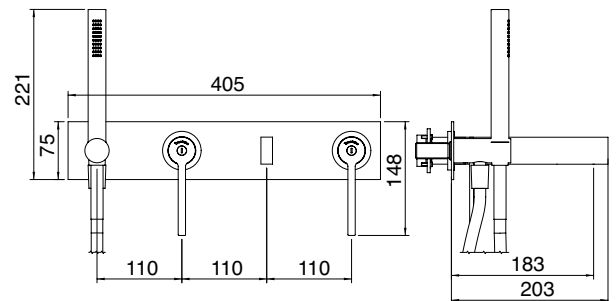
Sifone a vista
 Drain-trap
 Siphon
 Siphon für Waschtisch



CC	RWIT 51D7 CC TM	571,00
NN	RWIT 51D7 NN TM	809,00
BB	RWIT 51D7 BB TM	809,00
NF	RWIT 51D7 NF TM	799,00
HH	RWIT 51D7 HH TM	980,00
CC+T	RWIT 51D7 CC T_	599,00
NN+T	RWIT 51D7 NN T_	838,00
BB+T	RWIT 51D7 BB T_	838,00
NF+T	RWIT 51D7 NF T_	828,00
HH+T	RWIT 51D7 HH T_	1.009,00

Miscelatore monocomando vasca/doccia incasso
 Concealed bath/shower mixer
 Mitigeur bain/douche à encastrer
 Wanne / Brause EHM UP

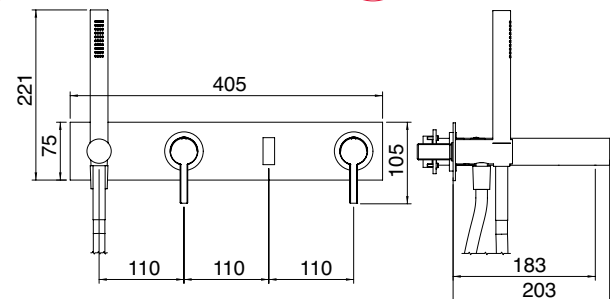
RWIT 51D7 ZZ 12 305,00
 + PARTI INCASSO - CONCEALED BODY
 CORPS À ENCASTRER - UNTERPUTZTEIL



CC	RWIT 51D7 CC 01	508,00
NN	RWIT 51D7 NN 01	721,00
BB	RWIT 51D7 BB 01	721,00
NF	RWIT 51D7 NF 01	711,00
HH	RWIT 51D7 HH 01	873,00

Miscelatore monocomando vasca/doccia incasso
 Concealed bath/shower mixer
 Mitigeur bain/douche à encastrer
 Wanne / Brause EHM UP

RWIT 51D7 ZZ 12 305,00
 + PARTI INCASSO - CONCEALED BODY
 CORPS À ENCASTRER - UNTERPUTZTEIL



Time - Time_out

RAN

HASK

PA36

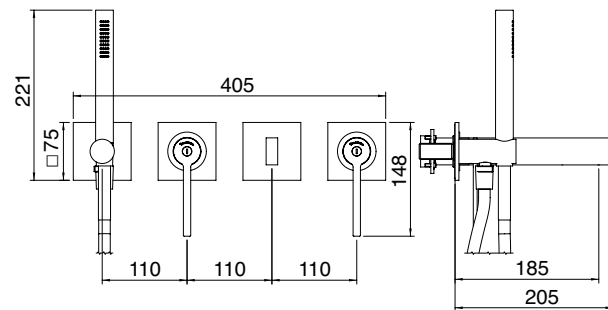


CC	RWIT 51D8 CC TM	611,00
NN	RWIT 51D8 NN TM	867,00
BB	RWIT 51D8 BB TM	867,00
NF	RWIT 51D8 NF TM	855,00
HH	RWIT 51D8 HH TM	1.049,00
CC+T	RWIT 51D8 CC T_	640,00
NN+T	RWIT 51D8 NN T_	896,00
BB+T	RWIT 51D8 BB T_	896,00
NF+T	RWIT 51D8 NF T_	883,00
HH+T	RWIT 51D8 HH T_	1.078,00

Miscelatore monocomando vasca/doccia incasso
 Concealed bath/shower mixer
 Mitigeur bain/douche à encastrer
 Wanne / Brause EHM UP

RWIT 51D7 ZZ 12 305,00

+ PARTI INCASSO - CONCEALED BODY
 CORPS À ENCASTRER - UNTERPUTZTEIL



UP+

TIME - TIME_OUT

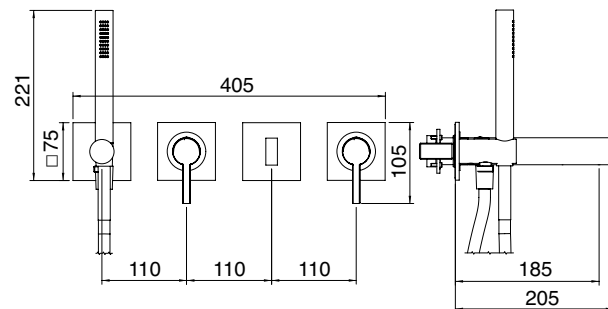


CC	RWIT 51D8 CC 01	551,00
NN	RWIT 51D8 NN 01	782,00
BB	RWIT 51D8 BB 01	782,00
NF	RWIT 51D8 NF 01	770,00
HH	RWIT 51D8 HH 01	946,00

Miscelatore monocomando vasca/doccia incasso
 Concealed bath/shower mixer
 Mitigeur bain/douche à encastrer
 Wanne / Brause EHM UP

RWIT 51D7 ZZ 12 305,00

+ PARTI INCASSO - CONCEALED BODY
 CORPS À ENCASTRER - UNTERPUTZTEIL

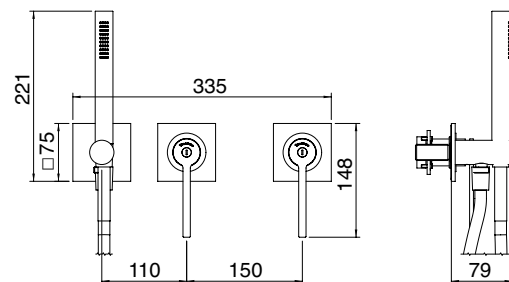


CC	RWIT 51D9 CC TM	530,00
NN	RWIT 51D9 NN TM	753,00
BB	RWIT 51D9 BB TM	753,00
NF	RWIT 51D9 NF TM	742,00
HH	RWIT 51D9 HH TM	911,00
CC+T	RWIT 51D9 CC T_	559,00
NN+T	RWIT 51D9 NN T_	782,00
BB+T	RWIT 51D9 BB T_	782,00
NF+T	RWIT 51D9 NF T_	771,00
HH+T	RWIT 51D9 HH T_	940,00

Miscelatore monocomando vasca/doccia incasso
 Concealed bath/shower mixer
 Mitigeur bain/douche à encastrer
 Wanne / Brause EHM UP

RWIT 51D9 ZZ 01 293,00

+ PARTI INCASSO - CONCEALED BODY
 CORPS À ENCASTRER - UNTERPUTZTEIL

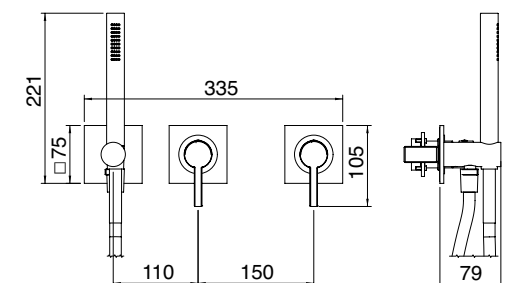


CC	RWIT 51D9 CC 01	453,00
NN	RWIT 51D9 NN 01	642,00
BB	RWIT 51D9 BB 01	642,00
NF	RWIT 51D9 NF 01	633,00
HH	RWIT 51D9 HH 01	777,00

Miscelatore monocomando vasca/doccia incasso
 Concealed bath/shower mixer
 Mitigeur bain/douche à encastrer
 Wanne / Brause EHM UP

RWIT 51D9 ZZ 01 293,00

+ PARTI INCASSO - CONCEALED BODY
 CORPS À ENCASTRER - UNTERPUTZTEIL

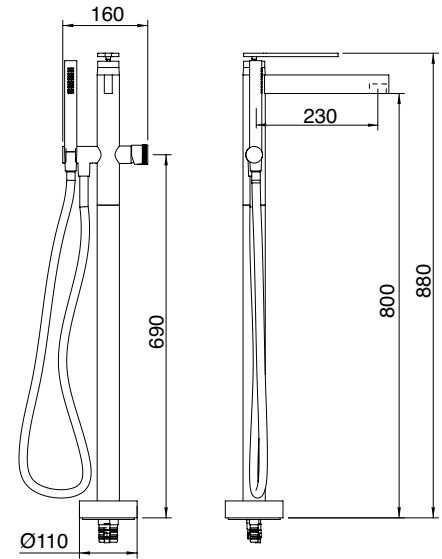




CC	RWIT 5103 CC TM	959,00
NN	RWIT 5103 NN TM	1.362,00
BB	RWIT 5103 BB TM	1.362,00
NF	RWIT 5103 NF TM	1.343,00
HH	RWIT 5103 HH TM	1.650,00
CC+T	RWIT 5103 CC T_	987,00
NN+T	RWIT 5103 NN T_	1.391,00
BB+T	RWIT 5103 BB T_	1.391,00
NF+T	RWIT 5103 NF T_	1.371,00
HH+T	RWIT 5103 HH T_	1.678,00

Miscelatore monocomando vasca da terra
 Floor standing bathub mixer
 Mitigeur bain douche sur colonne au sol
 Einhebel - Wannenstandarmatur

RWIT 5703 ZZ 07 212,00
 +  PARTI INCASSO - CONCEALED BODY
 CORPS À ENCASTRER - UNTERPUTZTEIL



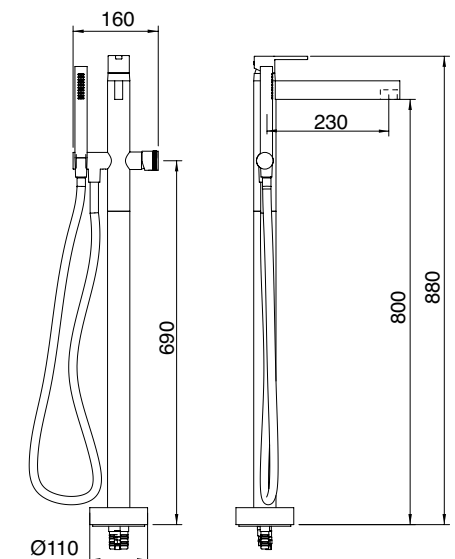
 ITRTV174ZZ ITRTAE135ZZ RWIT5703ZZ50  1,5 M PVC  METAL  ↗ 18 l/min  ↘ 8 l/min  QR N° 5  P_801



CC	RWIT 5103 CC 10	931,00
NN	RWIT 5103 NN 10	1.321,00
BB	RWIT 5103 BB 10	1.321,00
NF	RWIT 5103 NF 10	1.301,00
HH	RWIT 5103 HH 10	1.600,00

Miscelatore monocomando vasca da terra
 Floor standing bathub mixer
 Mitigeur bain douche sur colonne au sol
 Einhebel - Wannenstandarmatur

RWIT 5703 ZZ 07 212,00
 +  PARTI INCASSO - CONCEALED BODY
 CORPS À ENCASTRER - UNTERPUTZTEIL



 ITRTV174ZZ ITRTAE135ZZ RWIT5703ZZ50  1,5 M PVC  METAL  ↗ 18 l/min  ↘ 8 l/min  QR N° 5  P_801

Time - Time_out

RAN

HASK

PA36



CC	IT 5165 CC TM ZZ	865,00
NN	IT 5165 NN TM ZZ	1.150,00
BB	IT 5165 BB TM ZZ	1.150,00
NF	IT 5165 NF TM ZZ	1.123,00
HH	IT 5165 HH TM ZZ	1.331,00
CC+T	IT 5165 CC T_ ZZ	894,00
NN+T	IT 5165 NN T_ ZZ	1.179,00
BB+T	IT 5165 BB T_ ZZ	1.179,00
NF+T	IT 5165 NF T_ ZZ	1.152,00
HH+T	IT 5165 HH T_ ZZ	1.360,00

Bordo vasca 3 fori monocomando
3 hole deck-mounted bathtub set
Mélangeur sur table 3 trous
Wannenranbatterie - 3 Loch



ITRTVT22ZZZ ITRTVT131ZZ ITRTAE135ZZ 1,5 M PVC METAL ≥ 18 l/min ≤ 8 l/min P_831

UP+

TIME - TIME_OUT



CC	IT 5165 CC TL ZZ	836,00
NN	IT 5165 NN TL ZZ	1.111,00
BB	IT 5165 BB TL ZZ	1.111,00
NF	IT 5165 NF TL ZZ	1.086,00
HH	IT 5165 HH TL ZZ	1.287,00

Bordo vasca 3 fori monocomando
3 hole deck-mounted bathtub set
Mélangeur sur table 3 trous
Wannenranbatterie - 3 Loch



ITRTVT167ZZ ITRTVT131ZZ ITRTAE135ZZ 1,5 M PVC METAL ≥ 18 l/min ≤ 8 l/min P_831



CC	RWIT 51D4 CC TM	334,00
NN	RWIT 51D4 NN TM	474,00
BB	RWIT 51D4 BB TM	474,00
NF	RWIT 51D4 NF TM	468,00
HH	RWIT 51D4 HH TM	574,00
CC+T	RWIT 51D4 CC T_	363,00
NN+T	RWIT 51D4 NN T_	503,00
BB+T	RWIT 51D4 BB T_	503,00
NF+T	RWIT 51D4 NF T_	497,00
HH+T	RWIT 51D4 HH T_	603,00

Miscelatore monocomando incasso doccia con doccetta
Concealed shower mixer with hand-shower
Mitigeur douche à encastrier avec douchette
Brause EHM UP mit Handbrause



RWIT 51A5 ZZ 01 138,00
+ PARTI INCASSO - CONCEALED BODY
CORPS À ENCASTRER - UNTERPUTZTEIL
UNIVERSAL BOX ONLY 50mm P_790



CC	RWIT 51D4 CC 01	303,00
NN	RWIT 51D4 NN 01	431,00
BB	RWIT 51D4 BB 01	431,00
NF	RWIT 51D4 NF 01	424,00
HH	RWIT 51D4 HH 01	521,00

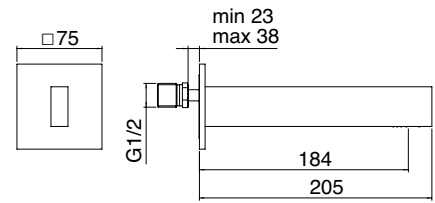
Miscelatore monocomando incasso doccia con doccetta
Concealed shower mixer with hand-shower
Mitigeur douche à encastrier avec douchette
Brause EHM UP mit Handbrause



RWIT 51A5 ZZ 01 138,00
+ PARTI INCASSO - CONCEALED BODY
CORPS À ENCASTRER - UNTERPUTZTEIL
UNIVERSAL BOX ONLY 50mm P_790

CC	IT 5163 CC ZZ HF	157,00
NN	IT 5163 NN ZZ HF	209,00
BB	IT 5163 BB ZZ HF	209,00
NF	IT 5163 NF ZZ HF	204,00
HH	IT 5163 HH ZZ HF	242,00

Bocca a muro per vasca 177
 Wall-mtd. spout for bathtub 177
 Bec mural pour baignoire 177
 Wandauslauf für Badewannen 177



ITRTAE135ZZ



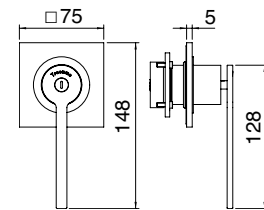
22 l/min

CC	RWIT 51C8 CC TM	197,00
NN	RWIT 51C8 NN TM	280,00
BB	RWIT 51C8 BB TM	280,00
NF	RWIT 51C8 NF TM	276,00
HH	RWIT 51C8 HH TM	338,00
CC+T	RWIT 51C8 CC T_	226,00
NN+T	RWIT 51C8 NN T_	308,00
BB+T	RWIT 51C8 BB T_	308,00
NF+T	RWIT 51C8 NF T_	304,00
HH+T	RWIT 51C8 HH T_	367,00

Monocomando remoto lavabo/doccia incasso
 Concealed washbasin/shower mixer
 Mitigeur lavabo/douche à encastrer
 UP-Waschtisch/Dusche Mischer



RWIT 51A8 ZZ 03 128,00
 + **PARTI INCASSO - CONCEALED BODY**
CORPS À ENCASTRER - UNTERPUTZTEIL



ITRTVT171ZZ



1,5cm RWIT51A5Z280
 3cm RWIT51A5Z285
 5cm RWIT51A5Z290



24 l/min



N° 143



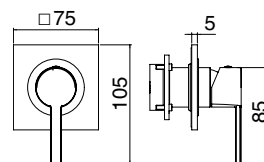
RWIT51A8ZZ90

CC	RWIT 51C8 CC 01	150,00
NN	RWIT 51C8 NN 01	212,00
BB	RWIT 51C8 BB 01	212,00
NF	RWIT 51C8 NF 01	209,00
HH	RWIT 51C8 HH 01	257,00

Monocomando remoto lavabo/doccia incasso
 Concealed washbasin/shower mixer
 Mitigeur lavabo/douche à encastrer
 UP-Waschtisch/Dusche Mischer



RWIT 51A8 ZZ 03 128,00
 + **PARTI INCASSO - CONCEALED BODY**
CORPS À ENCASTRER - UNTERPUTZTEIL



ITRTVT168ZZ



1,5cm RWIT51A5Z280
 3cm RWIT51A5Z285
 5cm RWIT51A5Z290



24 l/min



N° 143



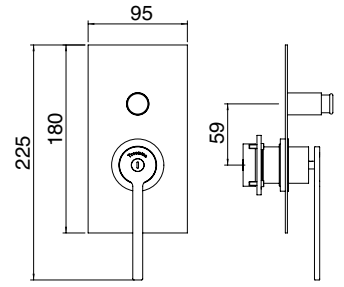
RWIT51A8ZZ90

Time - Time_out



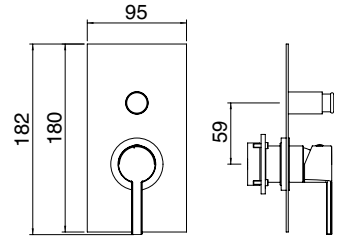
CC	RWIT 51B1 CC TM	211,00
NN	RWIT 51B1 NN TM	299,00
BB	RWIT 51B1 BB TM	299,00
NF	RWIT 51B1 NF TM	295,00
HH	RWIT 51B1 HH TM	362,00
CC+T	RWIT 51B1 CC T_	239,00
NN+T	RWIT 51B1 NN T_	328,00
BB+T	RWIT 51B1 BB T_	328,00
NF+T	RWIT 51B1 NF T_	324,00
HH+T	RWIT 51B1 HH T_	391,00

RWIT 51B1 ZZ 03 160,00
 + PARTI INCASSO - CONCEALED BODY
 CORPS À ENCASTRER - UNTERPUTZTEIL



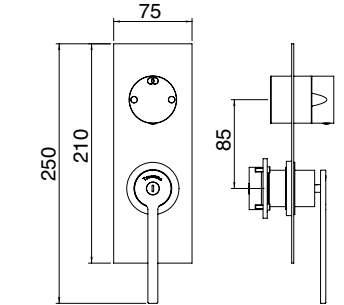
CC	RWIT 51B1 CC 01	163,00
NN	RWIT 51B1 NN 01	231,00
BB	RWIT 51B1 BB 01	231,00
NF	RWIT 51B1 NF 01	228,00
HH	RWIT 51B1 HH 01	279,00

RWIT 51B1 ZZ 03 160,00
 + PARTI INCASSO - CONCEALED BODY
 CORPS À ENCASTRER - UNTERPUTZTEIL



CC	RWIT 51A2 CC TM	297,00
NN	RWIT 51A2 NN TM	421,00
BB	RWIT 51A2 BB TM	421,00
NF	RWIT 51A2 NF TM	415,00
HH	RWIT 51A2 HH TM	509,00
CC+T	RWIT 51A2 CC T_	326,00
NN+T	RWIT 51A2 NN T_	450,00
BB+T	RWIT 51A2 BB T_	450,00
NF+T	RWIT 51A2 NF T_	443,00
HH+T	RWIT 51A2 HH T_	538,00

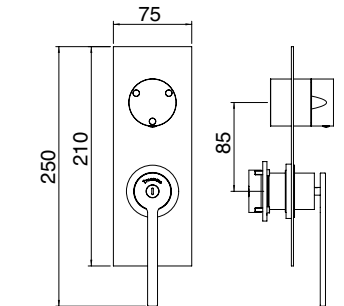
RWIT 22A2 ZZ 01 237,00
 + PARTI INCASSO - CONCEALED BODY
 CORPS À ENCASTRER - UNTERPUTZTEIL



→ ← = RWIT **51E2** __ T_

CC	RWIT 51A3 CC TM	347,00
NN	RWIT 51A3 NN TM	492,00
BB	RWIT 51A3 BB TM	492,00
NF	RWIT 51A3 NF TM	485,00
HH	RWIT 51A3 HH TM	595,00
CC+T	RWIT 51A3 CC T_	375,00
NN+T	RWIT 51A3 NN T_	521,00
BB+T	RWIT 51A3 BB T_	521,00
NF+T	RWIT 51A3 NF T_	513,00
HH+T	RWIT 51A3 HH T_	624,00

RWIT 22A2 ZZ 01 237,00
 + PARTI INCASSO - CONCEALED BODY
 CORPS À ENCASTRER - UNTERPUTZTEIL



→ ← = RWIT **51E3** __ T_



RWIT 51C2 NN TM

Time - Time_out

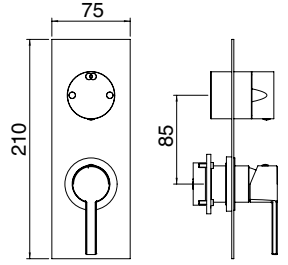


CC	RWIT 51A2 CC 02	263,00
NN	RWIT 51A2 NN 02	374,00
BB	RWIT 51A2 BB 02	374,00
NF	RWIT 51A2 NF 02	368,00
HH	RWIT 51A2 HH 02	453,00

RWIT 22A2 ZZ 01 237,00
 + PARTI INCASSO - CONCEALED BODY
 CORPS À ENCASTRER - UNTERPUTZTEIL



Miscelatore monocomando con deviatore 2 uscite
 Concealed mixer with 2 ways diverter
 Mitigeur à encastrer avec inverseur à 2 sorties
 EHM UP mit 2 Wege Umsteller

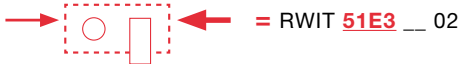
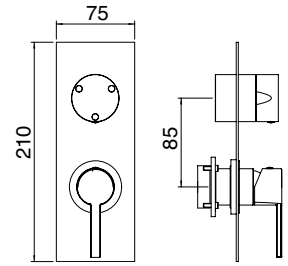


CC	RWIT 51A3 CC 02	290,00
NN	RWIT 51A3 NN 02	411,00
BB	RWIT 51A3 BB 02	411,00
NF	RWIT 51A3 NF 02	405,00
HH	RWIT 51A3 HH 02	498,00

RWIT 22A2 ZZ 01 237,00
 + PARTI INCASSO - CONCEALED BODY
 CORPS À ENCASTRER - UNTERPUTZTEIL



Miscelatore monocomando con deviatore 3 uscite
 Concealed mixer with 3 ways diverter
 Mitigeur à encastrer avec inverseur à 3 sorties
 EHM UP mit 3 Wege Umsteller

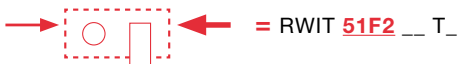
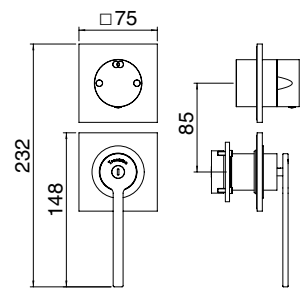


CC	RWIT 51C2 CC TM	328,00
NN	RWIT 51C2 NN TM	465,00
BB	RWIT 51C2 BB TM	465,00
NF	RWIT 51C2 NF TM	458,00
HH	RWIT 51C2 HH TM	563,00
CC+T	RWIT 51C2 CC T_	357,00
NN+T	RWIT 51C2 NN T_	493,00
BB+T	RWIT 51C2 BB T_	493,00
NF+T	RWIT 51C2 NF T_	487,00
HH+T	RWIT 51C2 HH T_	592,00

RWIT 22A2 ZZ 01 237,00
 + PARTI INCASSO - CONCEALED BODY
 CORPS À ENCASTRER - UNTERPUTZTEIL



Miscelatore monocomando con deviatore 2 uscite
 Concealed mixer with 2 ways diverter
 Mitigeur à encastrer avec inverseur à 2 sorties
 EHM UP mit 2 Wege Umsteller

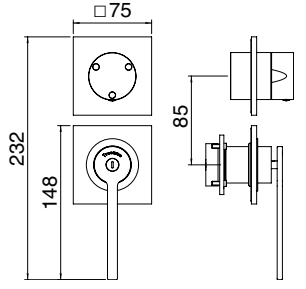


CC	RWIT 51C3 CC TM	377,00
NN	RWIT 51C3 NN TM	536,00
BB	RWIT 51C3 BB TM	536,00
NF	RWIT 51C3 NF TM	528,00
HH	RWIT 51C3 HH TM	649,00
CC+T	RWIT 51C3 CC T_	406,00
NN+T	RWIT 51C3 NN T_	564,00
BB+T	RWIT 51C3 BB T_	564,00
NF+T	RWIT 51C3 NF T_	557,00
HH+T	RWIT 51C3 HH T_	678,00

RWIT 22A2 ZZ 01 237,00
 + PARTI INCASSO - CONCEALED BODY
 CORPS À ENCASTRER - UNTERPUTZTEIL



Miscelatore monocomando con deviatore 3 uscite
 Concealed mixer with 3 ways diverter
 Mitigeur à encastrer avec inverseur à 3 sorties
 EHM UP mit 3 Wege Umsteller

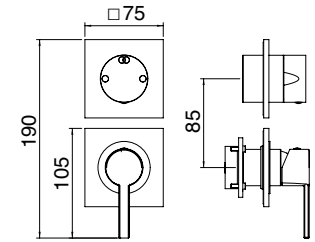


CC	RWIT 51C2 CC 02	290,00
NN	RWIT 51C2 NN 02	411,00
BB	RWIT 51C2 BB 02	411,00
NF	RWIT 51C2 NF 02	405,00
HH	RWIT 51C2 HH 02	498,00

RWIT 22A2 ZZ 01	237,00
 PARTI INCASSO - CONCEALED BODY	
CORPS À ENCASTRER - UNTERPUTZTEIL	



Miscelatore monocomando con deviatore 2 uscite
 Concealed mixer with 2 ways diverter
 Mitigeur à encastrer avec inverseur à 2 sorties
 EHM UP mit 2 Wege Umsteller

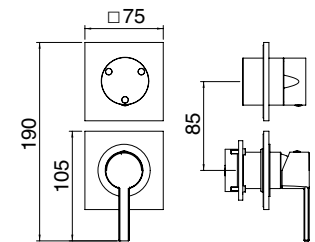


CC	RWIT 51C3 CC 02	319,00
NN	RWIT 51C3 NN 02	453,00
BB	RWIT 51C3 BB 02	453,00
NF	RWIT 51C3 NF 02	445,00
HH	RWIT 51C3 HH 02	547,00

RWIT 22A2 ZZ 01	237,00
 PARTI INCASSO - CONCEALED BODY	
CORPS À ENCASTRER - UNTERPUTZTEIL	



Miscelatore monocomando con deviatore 3 uscite
 Concealed mixer with 3 ways diverter
 Mitigeur à encastrer avec inverseur à 3 sorties
 EHM UP mit 3 Wege Umsteller

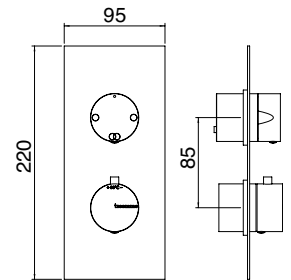


CC	RWIT 8A46 CC 03	230,00
NN	RWIT 8A46 NN 03	327,00
BB	RWIT 8A46 BB 03	327,00
NF	RWIT 8A46 NF 03	323,00
HH	RWIT 8A46 HH 03	396,00

RWIT 8A46 ZZ 20	309,00
 PARTI INCASSO - CONCEALED BODY	
CORPS À ENCASTRER - UNTERPUTZTEIL	



Termostatico incasso con deviatore 2 uscite
 Concealed thermostatic with 2 ways diverter
 Thermostatique à encastrer avec inverseur à 2 sorties
 UP-Thermostat mit 2 Wege Umsteller

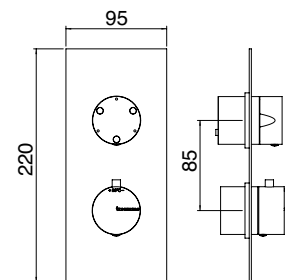


CC	RWIT 8A72 CC 03	277,00
NN	RWIT 8A72 NN 03	393,00
BB	RWIT 8A72 BB 03	393,00
NF	RWIT 8A72 NF 03	388,00
HH	RWIT 8A72 HH 03	475,00

RWIT 8A46 ZZ 20	309,00
 PARTI INCASSO - CONCEALED BODY	
CORPS À ENCASTRER - UNTERPUTZTEIL	



Termostatico incasso con deviatore 3 uscite
 Concealed thermostatic with 3 ways diverter
 Thermostatique à encastrer avec inverseur à 3 sorties
 UP-Thermostat mit 3 Wege Umsteller



Time - Time_out

RAN

HASK

PA36


UP+

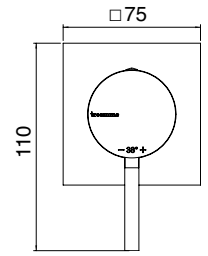
TIME - TIME_OUT

CC	RWIT 7582 CC 04	176,00
NN	RWIT 7582 NN 04	234,00
BB	RWIT 7582 BB 04	234,00
NF	RWIT 7582 NF 04	228,00
HH	RWIT 7582 HH 04	270,00

RWIT 7582 CC 02	142,00
RWIT 7582 NN 02	189,00
+ RWIT 7582 BB 02	189,00
RWIT 7582 NF 02	185,00
RWIT 7582 HH 02	219,00

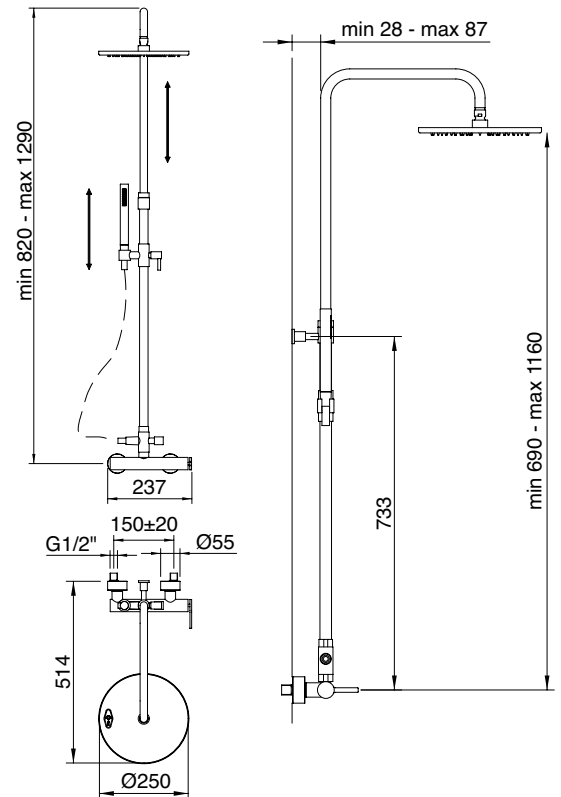
Termostatico incasso COAX
 Concealed thermostatic COAX
 Thermostatique à encastrer COAX
 UP-Thermostat COAX

 PARTI INCASSO - CONCEALED BODY
 CORPS À ENCASTRER - UNTERPUTZTEIL



CC	IT 5160 CC TM ZZ	849,00
NN	IT 5160 NN TM ZZ	1.128,00
BB	IT 5160 BB TM ZZ	1.128,00
NF	IT 5160 NF TM ZZ	1.104,00
HH	IT 5160 HH TM ZZ	1.307,00
CC+T	IT 5160 CC T_ ZZ	878,00
NN+T	IT 5160 NN T_ ZZ	1.157,00
BB+T	IT 5160 BB T_ ZZ	1.157,00
NF+T	IT 5160 NF T_ ZZ	1.131,00
HH+T	IT 5160 HH T_ ZZ	1.335,00

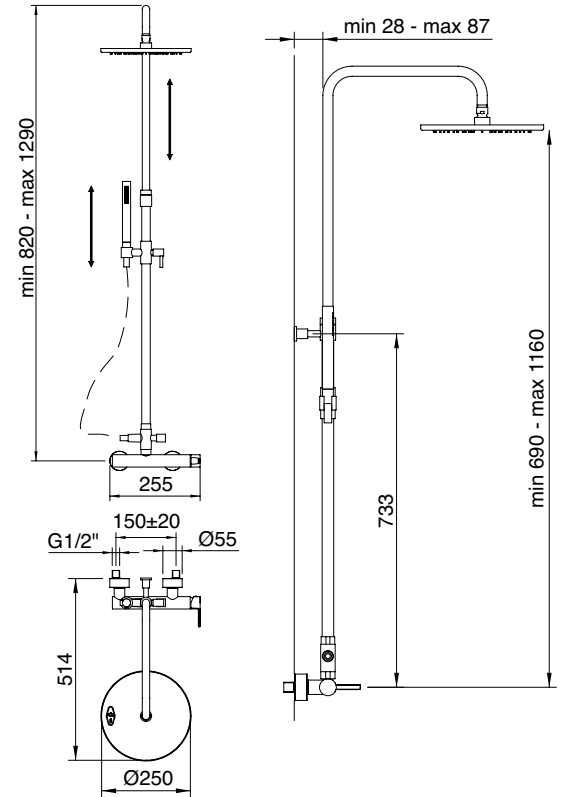
Gruppo doccia con doccetta e soffione anticalcare
 Wall-mtd. shower set, anti-limescale
 hand-shower and shower head
 Mitigeur douche mural, douchette et tête
 de douche anticalcaire
 Regenbrause-Set, Antikalk Handbrause
 und Kopfbrause





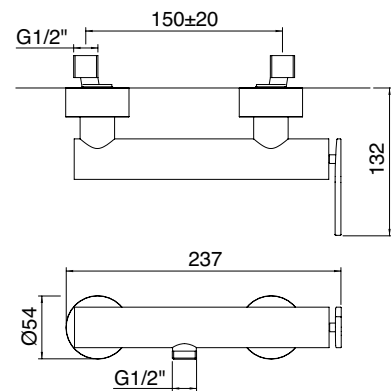
CC	IT 5160 CC TL ZZ	820,00
NN	IT 5160 NN TL ZZ	1.090,00
BB	IT 5160 BB TL ZZ	1.090,00
NF	IT 5160 NF TL ZZ	1.067,00
HH	IT 5160 HH TL ZZ	1.262,00

Gruppo doccia con doccetta e soffione anticalcare
 Wall-mtd. shower set, anti-limescale
 hand-shower and shower head
 Mitigeur douche mural, douchette et tête
 de douche anticalcaire
 Regenbrause-Set, Antikalk Handbrause
 und Kopfbrause



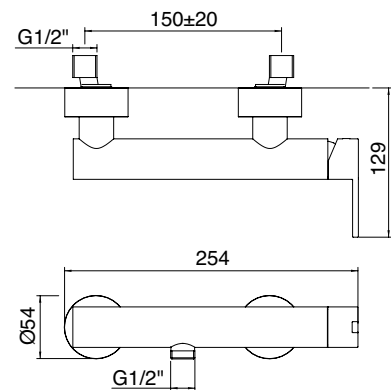
CC	IT 5156 CC TM ZZ	322,00
NN	IT 5156 NN TM ZZ	427,00
BB	IT 5156 BB TM ZZ	427,00
NF	IT 5156 NF TM ZZ	417,00
HH	IT 5156 HH TM ZZ	494,00
CC+T	IT 5156 CC T_ ZZ	350,00
NN+T	IT 5156 NN T_ ZZ	455,00
BB+T	IT 5156 BB T_ ZZ	455,00
NF+T	IT 5156 NF T_ ZZ	445,00
HH+T	IT 5156 HH T_ ZZ	523,00

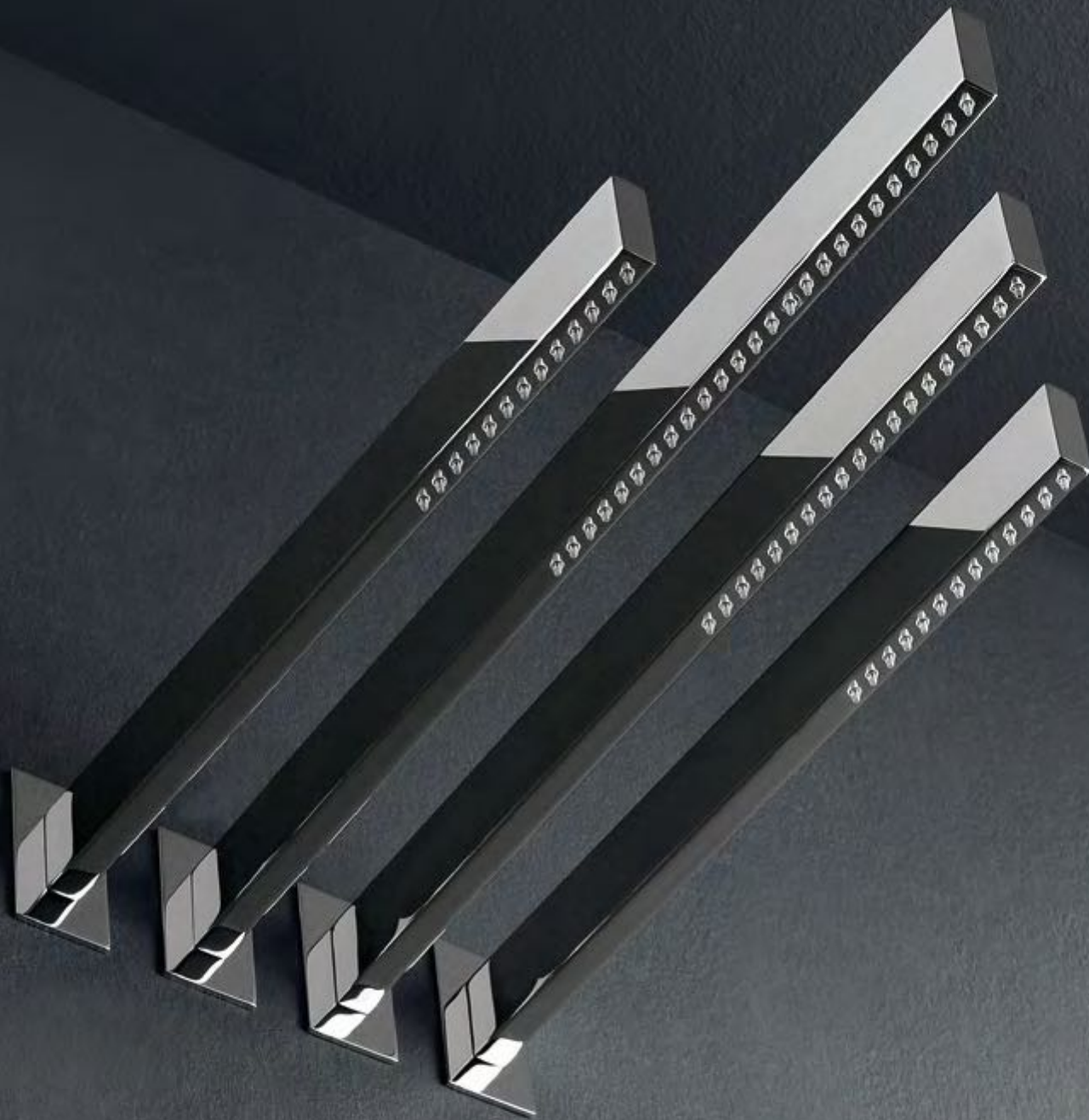
Miscelatore monocomando esterno doccia
 Wall-mtd. shower mixer
 Mitigeur douche mural
 AP-Brause-Einhandbatterie



CC	IT 5156 CC TL ZZ	294,00
NN	IT 5156 NN TL ZZ	389,00
BB	IT 5156 BB TL ZZ	389,00
NF	IT 5156 NF TL ZZ	381,00
HH	IT 5156 HH TL ZZ	451,00

Miscelatore monocomando esterno doccia
 Wall-mtd. shower mixer
 Mitigeur douche mural
 AP-Brause-Einhandbatterie





RAN

HASK

PA36

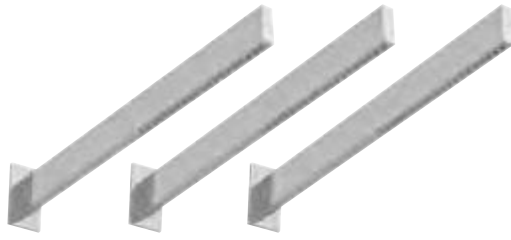
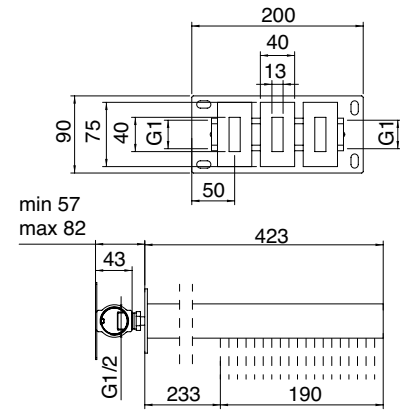
UP+

TIME - TIME_OUT

CC	IT 6579 CC ZZ ZZ	994,00
NN	IT 6579 NN ZZ ZZ	1.322,00
BB	IT 6579 BB ZZ ZZ	1.322,00
NF	IT 6579 NF ZZ ZZ	1.292,00
HH	IT 6579 HH ZZ ZZ	1.530,00

Soffione a parete
Shower-head
Douche de tête
Regenbrause

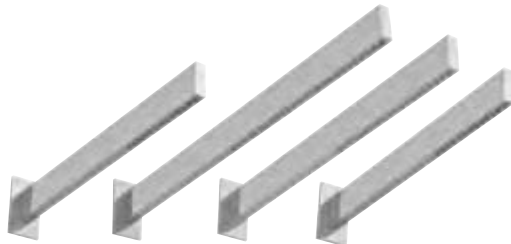
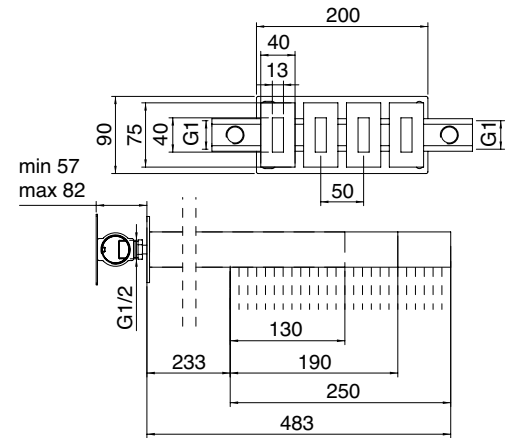
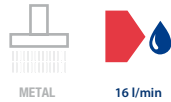
Art. RWIT5147__05 x 3
Art. RWIT5147ZZ08



CC	IT 6582 CC ZZ ZZ	1.263,00
NN	IT 6582 NN ZZ ZZ	1.680,00
BB	IT 6582 BB ZZ ZZ	1.680,00
NF	IT 6582 NF ZZ ZZ	1.642,00
HH	IT 6582 HH ZZ ZZ	1.945,00

Soffione a parete
Shower-head
Douche de tête
Regenbrause

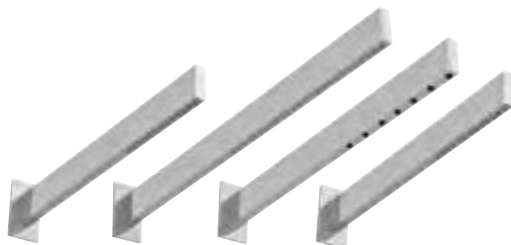
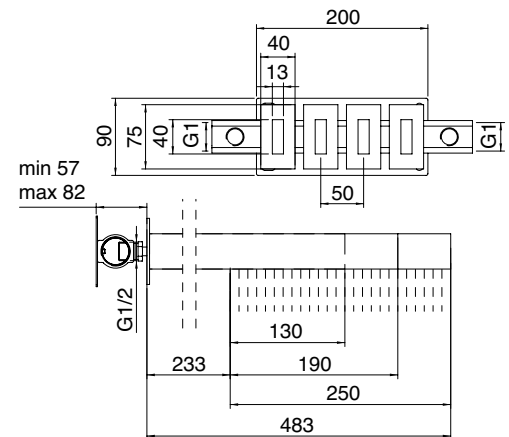
Art. RWIT5147__04 x 2
Art. RWIT5147__06
Art. RWIT5147__05
Art. RWIT5147ZZ07



CC	IT 6580 CC ZZ ZZ	1.246,00
NN	IT 6580 NN ZZ ZZ	1.656,00
BB	IT 6580 BB ZZ ZZ	1.656,00
NF	IT 6580 NF ZZ ZZ	1.619,00
HH	IT 6580 HH ZZ ZZ	1.918,00

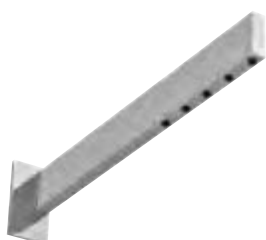
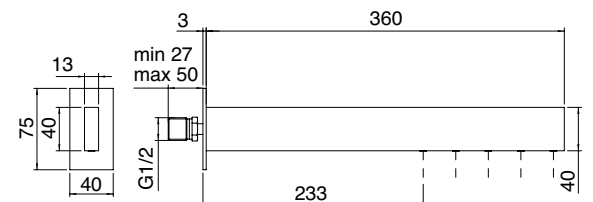
Soffione a parete
Shower-head
Douche de tête
Regenbrause

Art. RWIT5147__04
Art. RWIT5147__06
Art. RWIT5147__02
Art. RWIT5147__05
Art. RWIT5147ZZ07



CC	RWIT 5147 CC 01	230,00
NN	RWIT 5147 NN 01	305,00
BB	RWIT 5147 BB 01	305,00
NF	RWIT 5147 NF 01	298,00
HH	RWIT 5147 HH 01	353,00

Elemento per soffione a parete con aeratori
Shower-head element with aerators
Élément avec moussieurs pour douche de tête
Element für Regenbrause mit Perlator



Time - Time_out

RAN

HASK

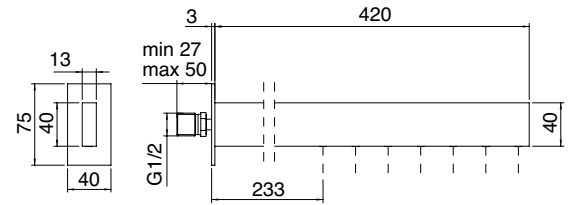
PA36

UP+

TIME - TIME_OUT

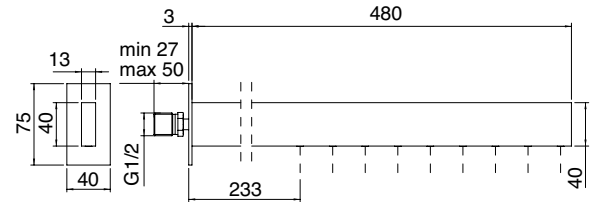
CC	RWIT 5147 CC 02	242,00
NN	RWIT 5147 NN 02	322,00
BB	RWIT 5147 BB 02	322,00
NF	RWIT 5147 NF 02	314,00
HH	RWIT 5147 HH 02	372,00

Elemento per soffione a parete con aeratori
 Shower-head element with aerators
 Élément avec mousseurs pour douche de tête
 Element für Regenbrause mit Perlator



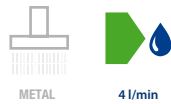
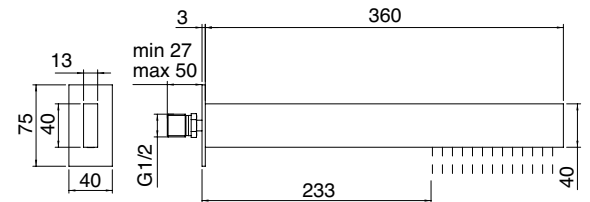
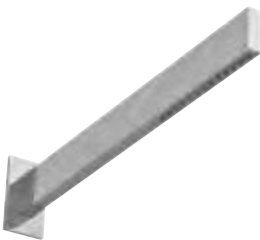
CC	RWIT 5147 CC 03	262,00
NN	RWIT 5147 NN 03	348,00
BB	RWIT 5147 BB 03	348,00
NF	RWIT 5147 NF 03	340,00
HH	RWIT 5147 HH 03	403,00

Elemento per soffione a parete con aeratori
 Shower-head element with aerators
 Élément avec mousseurs pour douche de tête
 Element für Regenbrause mit Perlator



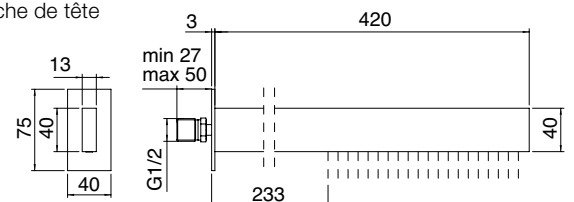
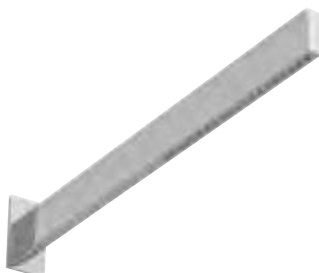
CC	RWIT 5147 CC 04	260,00
NN	RWIT 5147 NN 04	345,00
BB	RWIT 5147 BB 04	345,00
NF	RWIT 5147 NF 04	337,00
HH	RWIT 5147 HH 04	400,00

Elemento per soffione a parete con ugelli in silicone anticalcare
 Shower-head element with silicon nozzle anti-limescale
 Élément avec picotos anticalcaire en silicone pour douche de tête
 Element für Regenbrause mit silikon Düsen



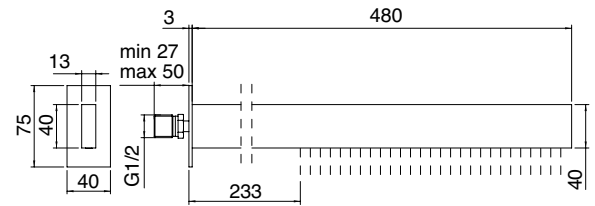
CC	RWIT 5147 CC 05	305,00
NN	RWIT 5147 NN 05	406,00
BB	RWIT 5147 BB 05	406,00
NF	RWIT 5147 NF 05	397,00
HH	RWIT 5147 HH 05	470,00

Elemento per soffione a parete con ugelli in silicone anticalcare
 Shower-head element with silicon nozzle anti-limescale
 Élément avec picotos anticalcaire en silicone pour douche de tête
 Element für Regenbrause mit silikon Düsen



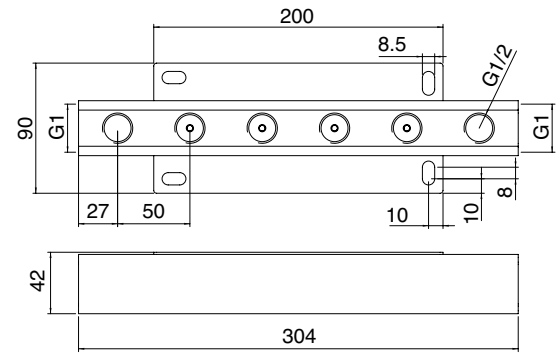
- CC** RWIT 5147 CC 06 329,00
- NN** RWIT 5147 NN 06 437,00
- BB** RWIT 5147 BB 06 437,00
- NF** RWIT 5147 NF 06 428,00
- HH** RWIT 5147 HH 06 506,00

Elemento per soffione a parete con ugelli in silicone anticalcare
 Shower-head element with silicon nozzle anti-limescale
 Élément avec picotos anticalcaire en silicone pour douche de tête
 Element für Regenbrause mit silikon Düsen



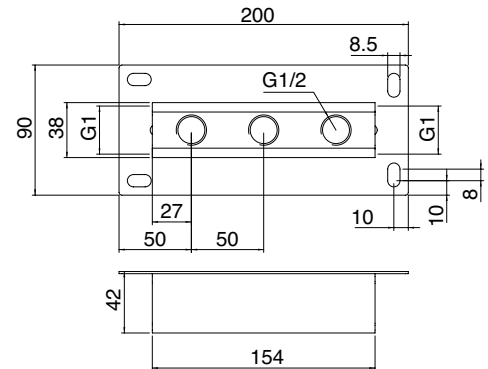
- ZZ** RWIT 5147 ZZ 07 119,00

Collettore per soffioni - (max 6 posti)
 Manifold for shower-head - (max 6 elements)
 Collecteur pour douche - (max 6 éléments)
 Sammelkanal für Regenbrause - (max 6 elements)



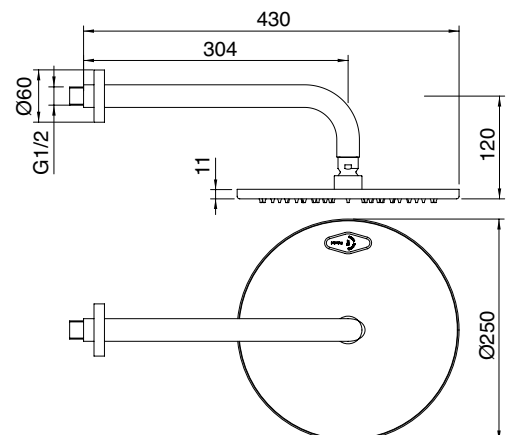
- ZZ** RWIT 5147 ZZ 08 81,00

Collettore per soffioni - (max 3 posti)
 Manifold for shower-head - (max 3 elements)
 Collecteur pour douche - (max 3 éléments)
 Sammelkanal für Regenbrause - (max 3 elements)



- CC** IT 6586 CC ZZ VS 311,00
- NN** IT 6586 NN ZZ VS 414,00
- BB** IT 6586 BB ZZ VS 414,00
- NF** IT 6586 NF ZZ VS 404,00
- HH** IT 6586 HH ZZ VS 478,00

Soffione a parete anticalcare
 Anti-limescale shower-head
 Douche de tête anticalcaire avec bras mural
 Antikalk Kopfbrause mit Arm



Time - Time_out

RAN

HASK

PA36

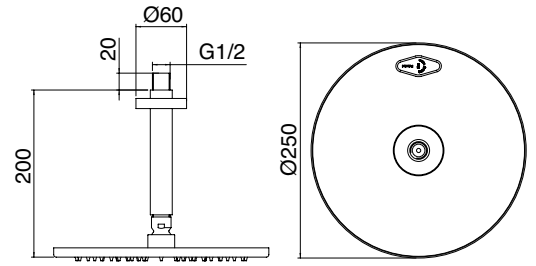
UP+

TIME - TIME_OUT



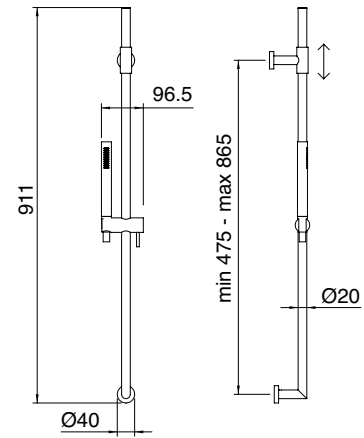
CC	IT 6587 CC ZZ VS	292,00
NN	IT 6587 NN ZZ VS	388,00
BB	IT 6587 BB ZZ VS	388,00
NF	IT 6587 NF ZZ VS	380,00
HH	IT 6587 HH ZZ VS	449,00

Soffione a soffitto anticalcare
 Ceiling anti-limescale shower-head
 Douche de tête anticalcaire avec bras au plafond
 Antikalk Regenbrause mit Deckenanbindung



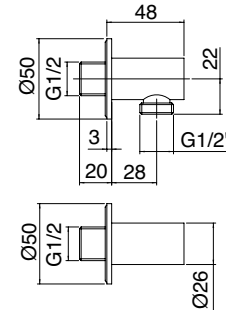
CC	IT 6529 CC ZZ ZZ	223,00
NN	IT 6529 NN ZZ ZZ	319,00
BB	IT 6529 BB ZZ ZZ	319,00
NF	IT 6529 NF ZZ ZZ	315,00
HH	IT 6529 HH ZZ ZZ	343,00

Kit saliscendi senza presa acqua
 Sliding-bar kit without wall hose outlet
 Barre coulissante sans coude mural
 Gleitstange ohne Wandaschlussbogen



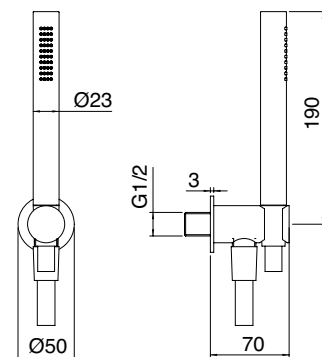
CC	IT RTGA 123 CC	25,00
NN	IT RTGA 123 NN	39,00
BB	IT RTGA 123 BB	39,00
NF	IT RTGA 123 NF	49,00
HH	IT RTGA 123 HH	27,00

Preso acqua a muro
 Wall hose outlet
 Coude mural
 Wandaschlussbogen



CC	RWIT 2705 CC 74	123,00
NN	RWIT 2705 NN 74	189,00
BB	RWIT 2705 BB 74	189,00
NF	RWIT 2705 NF 74	184,00
HH	RWIT 2705 HH 74	189,00

Kit gancio, flessibile, doccia
 Hook, flexible and hand shower kit
 Kit support, flexible et douche
 Brausehalter, Schlauch und Handbrau



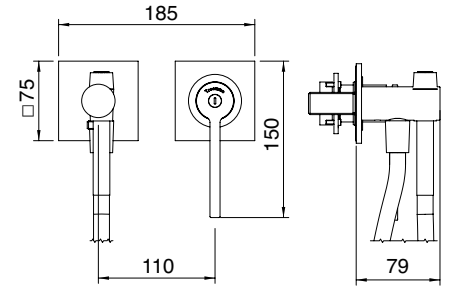


CC	RWIT 51D4 CC WM	311,00
NN	RWIT 51D4 NN WM	441,00
BB	RWIT 51D4 BB WM	441,00
NF	RWIT 51D4 NF WM	435,00
HH	RWIT 51D4 HH WM	535,00
CC+W	RWIT 51D4 CC W_	339,00
NN+W	RWIT 51D4 NN W_	470,00
BB+W	RWIT 51D4 BB W_	470,00
NF+W	RWIT 51D4 NF W_	464,00
HH+W	RWIT 51D4 HH W_	563,00

Miscelatore incasso con doccia per WC
 Concealed mixer with wc hand shower
 Mitigeur à encastrer avec douche WC
 U-P Mischer mit WC Handbrause

								
ITRTVT171ZZ	ITRTAE186ZZ	ITRTAT120ZZ	1,5 cm RWIT51A5ZZ80 3 cm RWIT51A5ZZ85 5 cm RWIT51A5ZZ90	1 M PVC	METAL	7 l/min	N° i46	RWIT51C5ZZ90

RWIT 51A5 ZZ 01 138,00
 +  PARTI INCASSO - CONCEALED BODY
 CORPS À ENCASTRER - UNTERPUTZTEIL

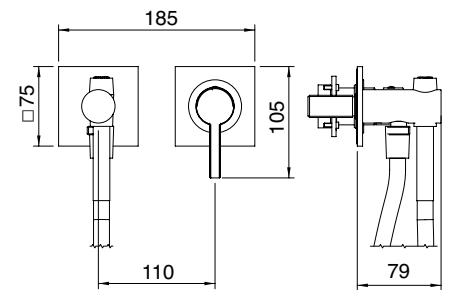


CC	RWIT 51D4 CC 02	281,00
NN	RWIT 51D4 NN 02	399,00
BB	RWIT 51D4 BB 02	399,00
NF	RWIT 51D4 NF 02	393,00
HH	RWIT 51D4 HH 02	483,00

Miscelatore incasso con doccia per WC
 Concealed mixer with wc hand shower
 Mitigeur à encastrer avec douche WC
 U-P Mischer mit WC Handbrause

								
ITRTVT168ZZ	ITRTAE186ZZ	ITRTAT120ZZ	1,5 cm RWIT51A5ZZ80 3 cm RWIT51A5ZZ85 5 cm RWIT51A5ZZ90	1 M PVC	METAL	7 l/min	N° i46	RWIT51C5ZZ90

RWIT 51A5 ZZ 01 138,00
 +  PARTI INCASSO - CONCEALED BODY
 CORPS À ENCASTRER - UNTERPUTZTEIL



Time - Time_out

RAN

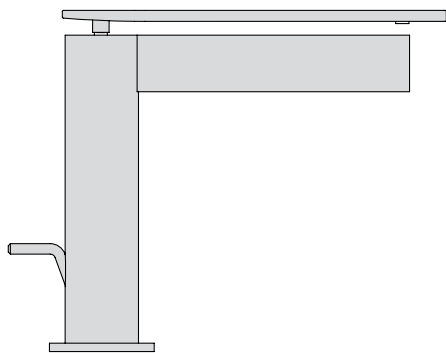
HASK

PA36

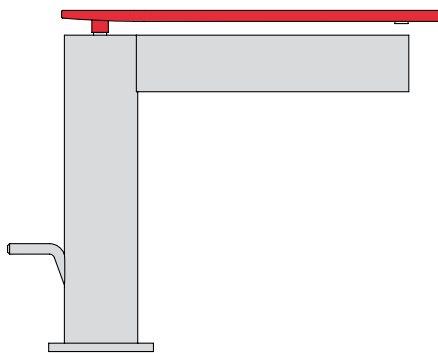
UP+

TIME - TIME_OUT

CC/BB/NN/NF/HH



CC/BB/NN/NF/HH+T_ / +W_



+T_ =

- T1** = Bianco - White - Blanc - Weiss
- T2** = Nero - Black - Noir - Schwarz
- T3** = Rosso - Red - Rouge - Rot
- T4** = Viola - Purple - Pourpre - Lila
- T5** = Blu - Blue - Bleu - Blau
- T6** = Verde - Green - Vert - Grün
- T7** = Arancione - Orange - Orange - Orange
- T8** = Nichel spazzolato - Brush nickel
Nickel brossé - Gebürstet Nickel

+W_ =

- W1** = Bianco - White - Blanc - Weiss
- W2** = Nero - Black - Noir - Schwarz
- W3** = Rosso - Red - Rouge - Rot
- W4** = Viola - Purple - Pourpre - Lila
- W5** = Blu - Blue - Bleu - Blau
- W6** = Verde - Green - Vert - Grün
- W7** = Arancione - Orange - Orange - Orange
- W8** = Nichel spazzolato - Brush nickel
Nickel brossé - Gebürstet Nickel



Per ulteriori composizioni doccia vedi sezione SHOWERS & THERMOSTATICS
For other shower fittings check the SHOWERS & THERMOSTATICS section
Pour d'autres solutions douche voir section SHOWERS & THERMOSTATICS
Für weitere duschaustattungen siehe abschnitt SHOWERS & THERMOSTATICS

Nanotech

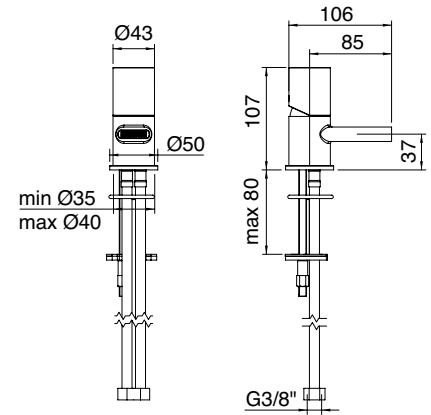
design by phicubo
alessandra bertini _ gianluca belli

chrome **CC**
matt black **NN**
matt white **BB**
brushed nickel **NF**
polished black chrome **HH**
brushed black chrome **CZ**



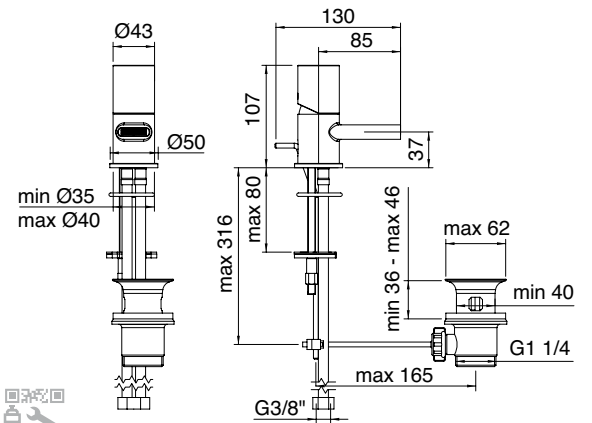
CC	IT 5411 CC NA ZZ	126,00
NN	IT 5411 NN NA ZZ	167,00
BB	IT 5411 BB NA ZZ	167,00
NF	IT 5411 NF NA ZZ	163,00
HH	IT 5411 HH NA ZZ	194,00
CZ	IT 5411 CZ NA ZZ	194,00

Miscelatore monocomando lavabo 37
 Washbasin mixer 37
 Mitigeur lavabo 37
 Einhand-Waschtischmischer 37



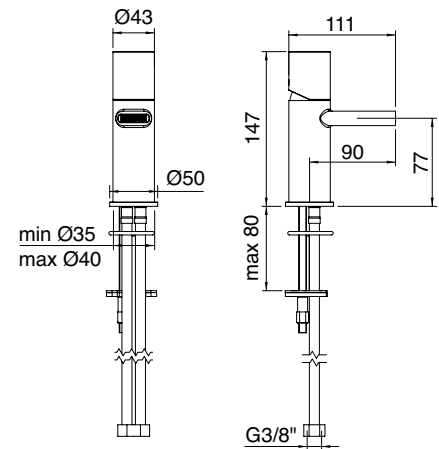
CC	IT 5410 CC NA ZZ	153,00
NN	IT 5410 NN NA ZZ	202,00
BB	IT 5410 BB NA ZZ	202,00
NF	IT 5410 NF NA ZZ	198,00
HH	IT 5410 HH NA ZZ	234,00
CZ	IT 5410 CZ NA ZZ	234,00

Miscelatore monocomando lavabo 37
 Washbasin mixer 37
 Mitigeur lavabo 37
 Einhand-Waschtischmischer 37



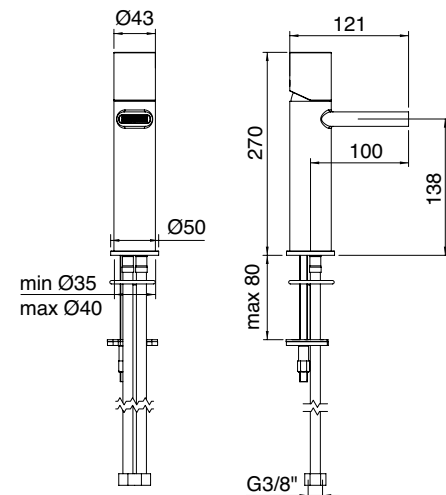
CC	IT 5428 CC NA ZZ	164,00
NN	IT 5428 NN NA ZZ	218,00
BB	IT 5428 BB NA ZZ	218,00
NF	IT 5428 NF NA ZZ	213,00
HH	IT 5428 HH NA ZZ	253,00
CZ	IT 5428 CZ NA ZZ	253,00

Miscelatore monocomando lavabo 77
 Washbasin mixer 77
 Mitigeur lavabo 77
 Einhand-Waschtischmischer 77



CC	IT 5427 CC NA ZZ	248,00
NN	IT 5427 NN NA ZZ	329,00
BB	IT 5427 BB NA ZZ	329,00
NF	IT 5427 NF NA ZZ	322,00
HH	IT 5427 HH NA ZZ	381,00
CZ	IT 5427 CZ NA ZZ	381,00

Miscelatore monocomando lavabo 138
 Washbasin mixer 138
 Mitigeur lavabo 138
 Einhand-Waschtischmischer 138





RAN

HASK

PA36

UP+

TIME - TIME_OUT

NANOtech



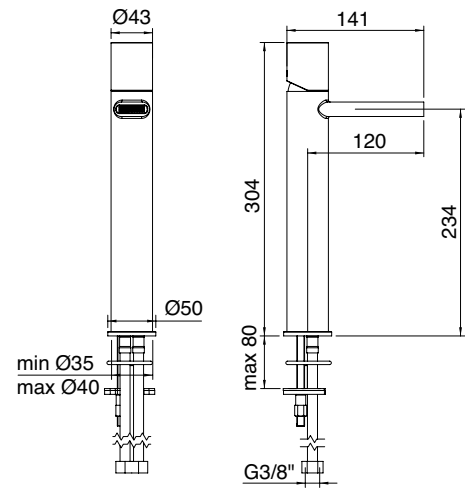


CC	IT 5418 CC NA ZZ	267,00
NN	IT 5418 NN NA ZZ	356,00
BB	IT 5418 BB NA ZZ	356,00
NF	IT 5418 NF NA ZZ	348,00
HH	IT 5418 HH NA ZZ	411,00
CZ	IT 5418 CZ NA ZZ	411,00

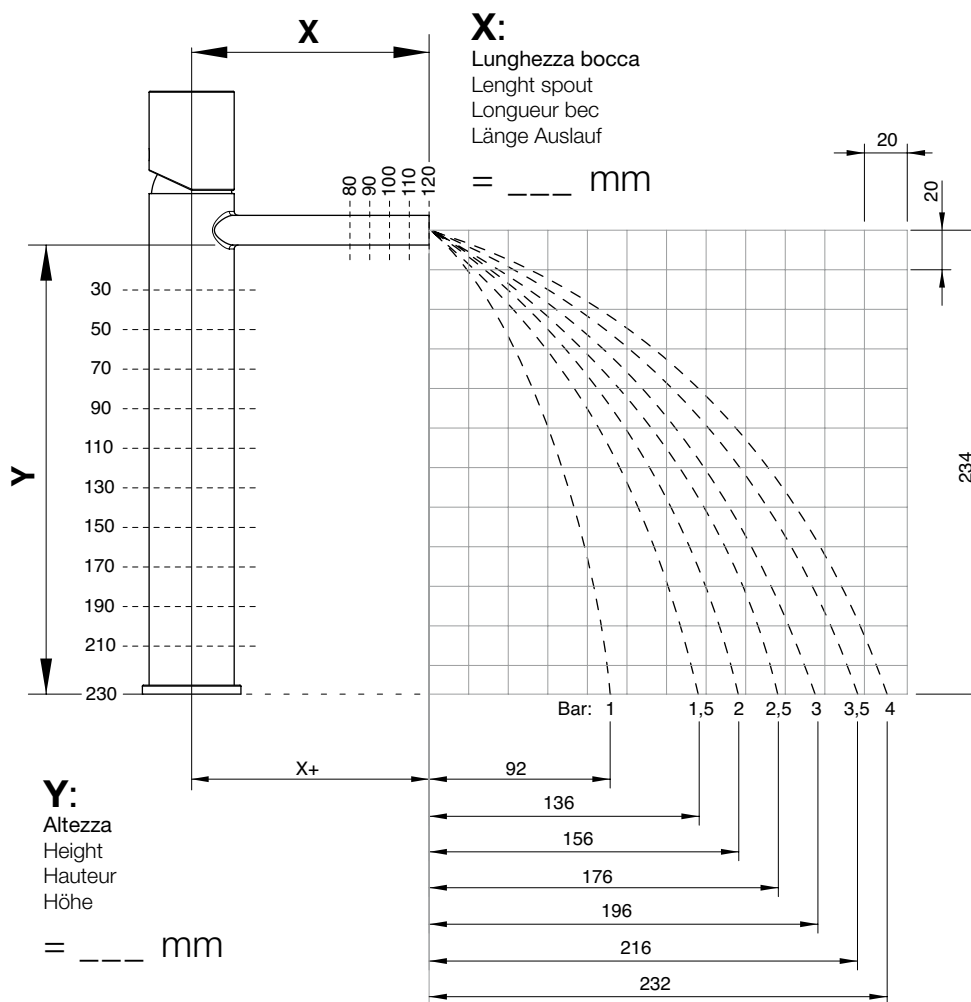
Miscelatore monocomando lavabo 230
 Washbasin mixer 230
 Mitigeur lavabo 230
 Einhand-Waschtischmischer 230



ITRTVT167ZZ ITRTAE129ZZ ITRTAT112ZZ 5 l/min N° 54



Dimensioni su misura - Taylor-made size Dimensions sur mesure - Länge/höhe nach mass



A

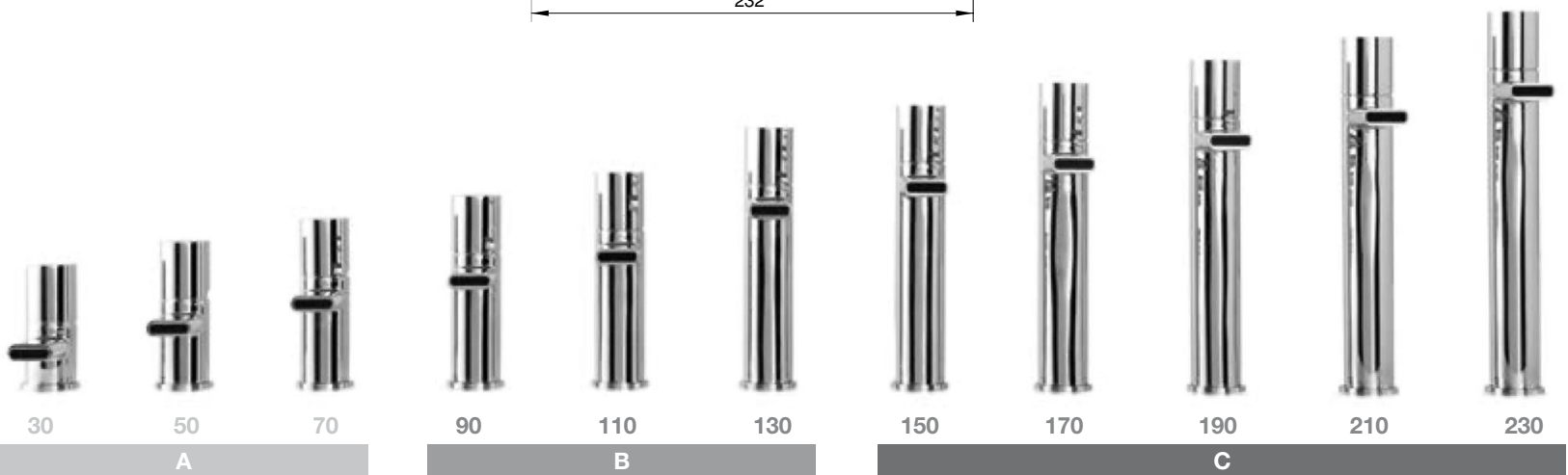
CC	IT 5418 CC NA XY - A	260,00
NN	IT 5418 NN NA XY - A	345,00
BB	IT 5418 BB NA XY - A	345,00
NF	IT 5418 NF NA XY - A	337,00
HH	IT 5418 HH NA XY - A	400,00
CZ	IT 5418 CZ NA XY - A	400,00

B

CC	IT 5418 CC NA XY - B	305,00
NN	IT 5418 NN NA XY - B	406,00
BB	IT 5418 BB NA XY - B	406,00
NF	IT 5418 NF NA XY - B	397,00
HH	IT 5418 HH NA XY - B	470,00
CZ	IT 5418 CZ NA XY - B	470,00

C

CC	IT 5418 CC NA XY - C	346,00
NN	IT 5418 NN NA XY - C	459,00
BB	IT 5418 BB NA XY - C	459,00
NF	IT 5418 NF NA XY - C	449,00
HH	IT 5418 HH NA XY - C	531,00
CZ	IT 5418 CZ NA XY - C	531,00



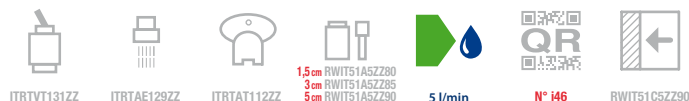
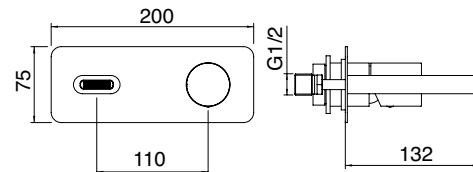


CC	RWIT 54A5 CC 02	224,00
NN	RWIT 54A5 NN 02	318,00
BB	RWIT 54A5 BB 02	318,00
NF	RWIT 54A5 NF 02	313,00
HH	RWIT 54A5 HH 02	385,00
CZ	RWIT 54A5 CZ 02	385,00

RWIT 51A5 ZZ 01 138,00
 + PARTI INCASSO - CONCEALED BODY
 CORPS À ENCASTRER - UNTERPUTZTEIL



Miscelatore monocomando lavabo incasso 132
 Concealed washbasin mixer 132
 Mitigeur lavabo à encastrer 132
 UP-Einhand-Waschtischmischer 132

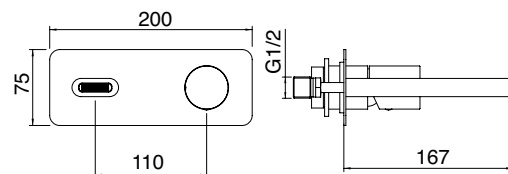


CC	RWIT 54A6 CC 02	245,00
NN	RWIT 54A6 NN 02	348,00
BB	RWIT 54A6 BB 02	348,00
NF	RWIT 54A6 NF 02	342,00
HH	RWIT 54A6 HH 02	421,00
CZ	RWIT 54A6 CZ 02	421,00

RWIT 51A5 ZZ 01 138,00
 + PARTI INCASSO - CONCEALED BODY
 CORPS À ENCASTRER - UNTERPUTZTEIL



Miscelatore monocomando lavabo incasso 167
 Concealed washbasin mixer 167
 Mitigeur lavabo à encastrer 167
 UP-Einhand-Waschtischmischer 167

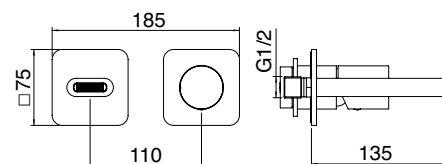


CC	RWIT 54C5 CC 02	253,00
NN	RWIT 54C5 NN 02	358,00
BB	RWIT 54C5 BB 02	358,00
NF	RWIT 54C5 NF 02	352,00
HH	RWIT 54C5 HH 02	433,00
CZ	RWIT 54C5 CZ 02	433,00

RWIT 51A5 ZZ 01 138,00
 + PARTI INCASSO - CONCEALED BODY
 CORPS À ENCASTRER - UNTERPUTZTEIL



Miscelatore monocomando lavabo incasso 135
 Concealed washbasin mixer 135
 Mitigeur lavabo à encastrer 135
 UP-Einhand-Waschtischmischer 135

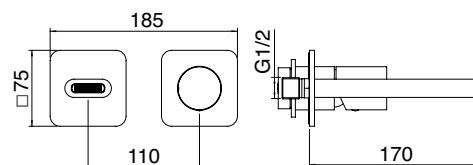


CC	RWIT 54C6 CC 02	271,00
NN	RWIT 54C6 NN 02	384,00
BB	RWIT 54C6 BB 02	384,00
NF	RWIT 54C6 NF 02	379,00
HH	RWIT 54C6 HH 02	466,00
CZ	RWIT 54C6 CZ 02	466,00

RWIT 51A5 ZZ 01 138,00
 + PARTI INCASSO - CONCEALED BODY
 CORPS À ENCASTRER - UNTERPUTZTEIL



Miscelatore monocomando lavabo incasso 170
 Concealed washbasin mixer 170
 Mitigeur lavabo à encastrer 170
 UP-Einhand-Waschtischmischer 170





IT 5418 NN NA ZZ



RAN

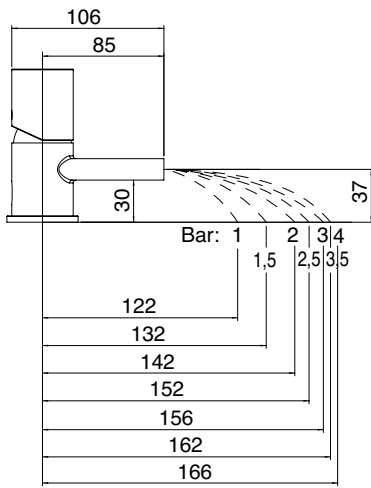
HASK

PA36

UP+

TIME - TIME_OUT

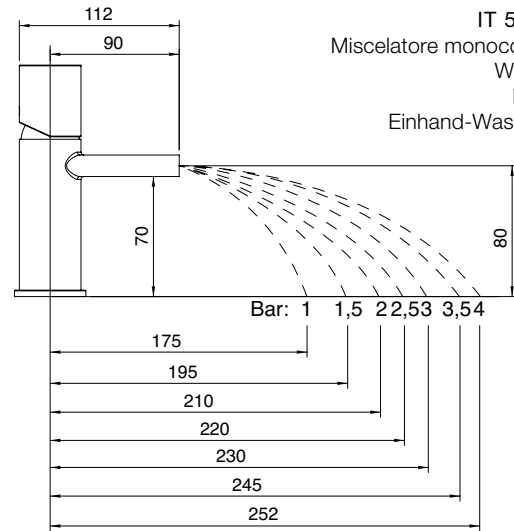
NANOtech



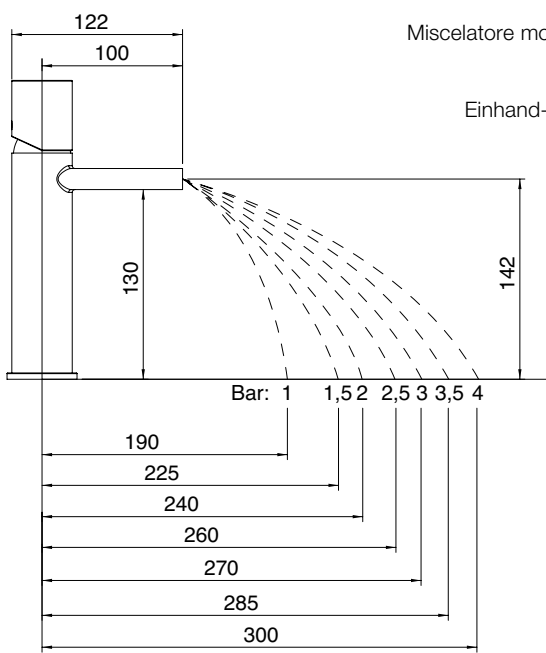
IT 5410 __ NA __
 IT 5411 __ NA __
 Miscelatore monocomando lavabo
 Washbasin mixer
 Mitigeur lavabo
 Einhand-Waschtischmischer



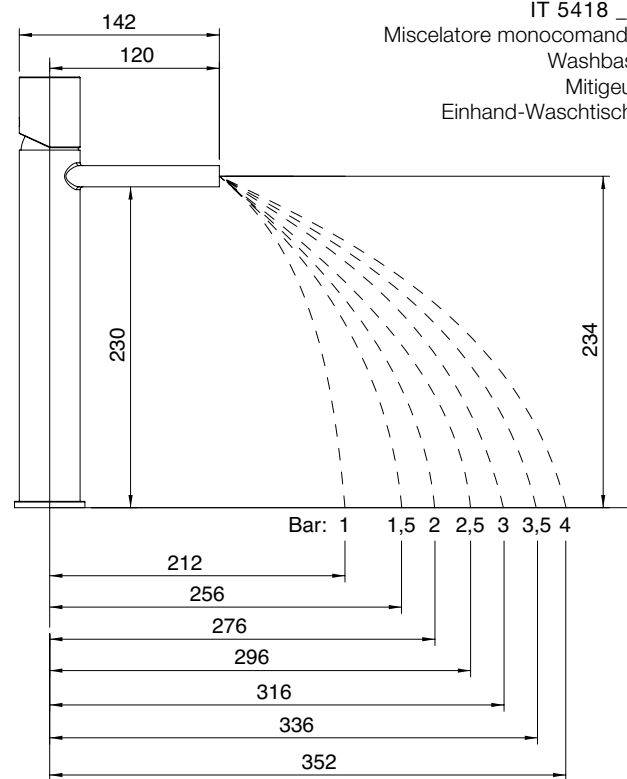
Areatore
 Aerator
 Mousseur
 Perlator



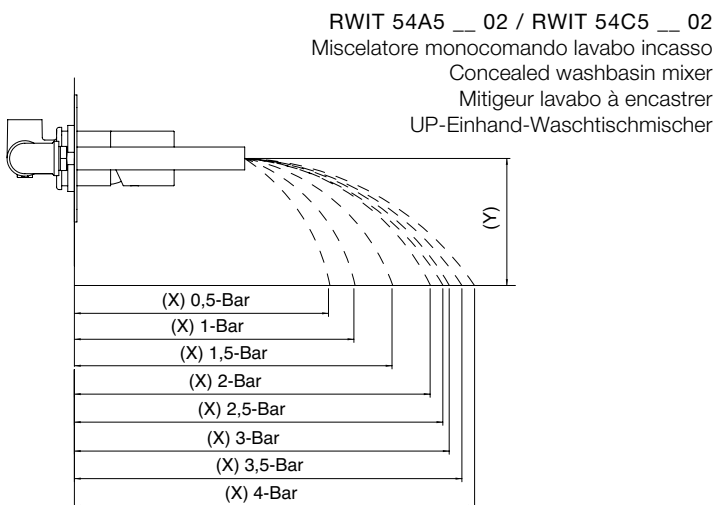
IT 5428 __ NA __
 Miscelatore monocomando lavabo
 Washbasin mixer
 Mitigeur lavabo
 Einhand-Waschtischmischer



IT 5427 __ NA __
 Miscelatore monocomando lavabo
 Washbasin mixer
 Mitigeur lavabo
 Einhand-Waschtischmischer

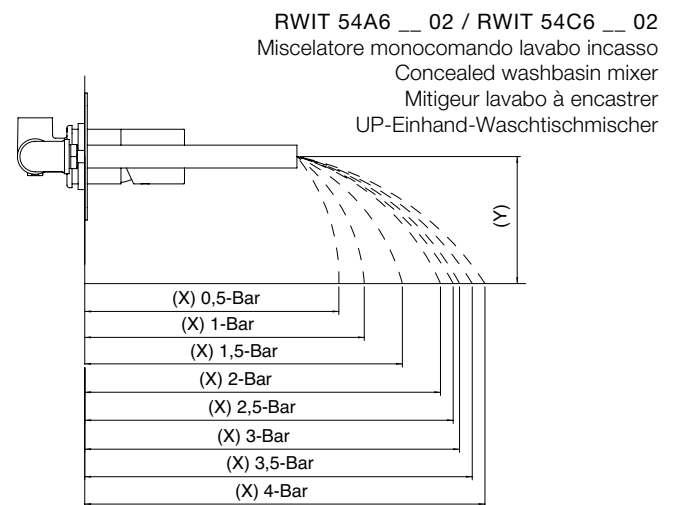


IT 5418 __ NA __
 Miscelatore monocomando lavabo
 Washbasin mixer
 Mitigeur lavabo
 Einhand-Waschtischmischer



RWIT 54A5 __ 02 / RWIT 54C5 __ 02
 Miscelatore monocomando lavabo incasso
 Concealed washbasin mixer
 Mitigeur lavabo à encastrer
 UP-Einhand-Waschtischmischer

Y	X							
H (mm)	0,5 (Bar)	1 (Bar)	1,5 (Bar)	2 (Bar)	2,5 (Bar)	3 (Bar)	3,5 (Bar)	4 (Bar)
100	155	165	180	200	215	230	240	250
150	165	175	190	210	235	250	260	270
200	170	180	200	225	250	270	280	295
250	175	185	210	240	265	290	300	315
300	175	185	220	250	280	305	320	330



RWIT 54A6 __ 02 / RWIT 54C6 __ 02
 Miscelatore monocomando lavabo incasso
 Concealed washbasin mixer
 Mitigeur lavabo à encastrer
 UP-Einhand-Waschtischmischer

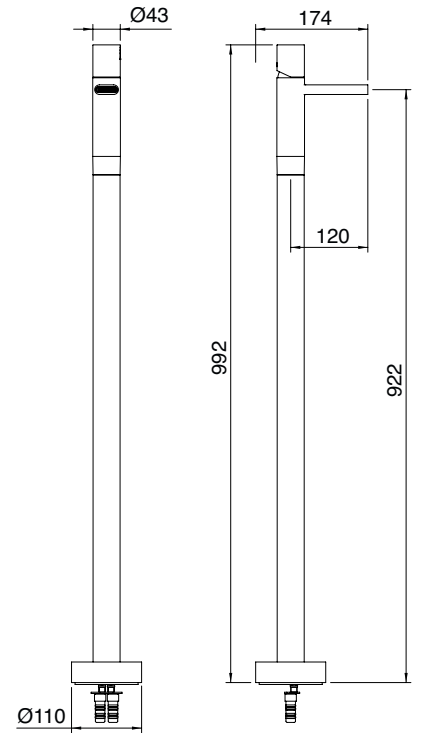
Y	X							
H (mm)	0,5 (Bar)	1 (Bar)	1,5 (Bar)	2 (Bar)	2,5 (Bar)	3 (Bar)	3,5 (Bar)	4 (Bar)
100	180	205	230	255	265	280	290	305
150	180	215	245	275	295	305	320	330
200	180	220	255	290	315	325	345	355
250	180	225	265	305	330	350	365	380
300	180	235	275	315	345	370	385	405



CC	RWIT 5414 CC 10	467,00
NN	RWIT 5414 NN 10	663,00
BB	RWIT 5414 BB 10	663,00
NF	RWIT 5414 NF 10	654,00
HH	RWIT 5414 HH 10	802,00
CZ	RWIT 5414 CZ 10	802,00

RWIT 5703 ZZ 07 212,00
 + PARTI INCASSO - CONCEALED BODY
 CORPS À ENCASTRER - UNTERPUTZTEIL

Miscelatore monocomando lavabo da terra
 Floor standing washbasin mixer
 Mitigeur lavabo sur colonne au sol
 Waschtisch-Einhebelmischer Standarmatur



RAN
HASK
PA36
UP+
TIME - TIME_OUT

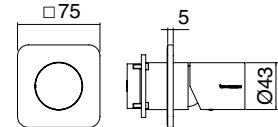
NANOtech



CC	RWIT 54C8 CC 01	157,00
NN	RWIT 54C8 NN 01	223,00
BB	RWIT 54C8 BB 01	223,00
NF	RWIT 54C8 NF 01	220,00
HH	RWIT 54C8 HH 01	269,00
CZ	RWIT 54C8 CZ 01	269,00

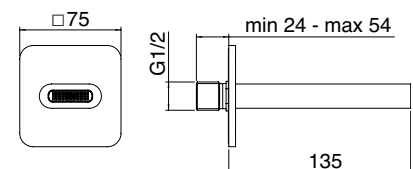
RWIT 51A8 ZZ 03 128,00
 + PARTI INCASSO - CONCEALED BODY
 CORPS À ENCASTRER - UNTERPUTZTEIL

Monocomando remoto lavabo/doccia incasso
 Concealed washbasin/shower mixer
 Mitigeur lavabo/douche à encastrer
 UP-Waschtisch/Dusche Mischer



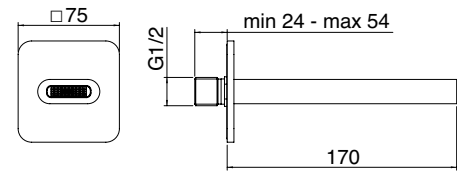
CC	IT 5463 CC ZZ ZZ	167,00
NN	IT 5463 NN ZZ ZZ	223,00
BB	IT 5463 BB ZZ ZZ	223,00
NF	IT 5463 NF ZZ ZZ	218,00
HH	IT 5463 HH ZZ ZZ	257,00
CZ	IT 5463 CZ ZZ ZZ	257,00

Bocca a muro 135
 Wall-mtd. spout 135
 Bec mural 135
 Wandauslauf 135



CC	IT 5461 CC ZZ ZZ	187,00
NN	IT 5461 NN ZZ ZZ	247,00
BB	IT 5461 BB ZZ ZZ	247,00
NF	IT 5461 NF ZZ ZZ	242,00
HH	IT 5461 HH ZZ ZZ	287,00
CZ	IT 5461 CZ ZZ ZZ	287,00

Bocca a muro 170
Wall-mtd. spout 170
Bec mural 170
Wandauslauf 170



ITRTAE129ZZ



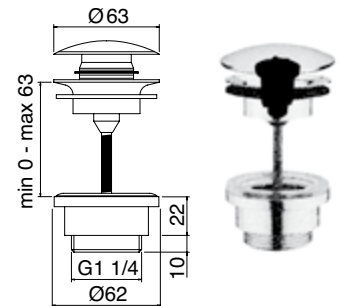
ITRTAT112ZZ



4 l/min

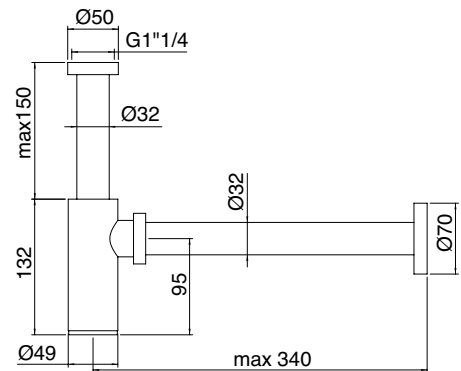
CC	IT RTSA 117 CC	28,00
NN	IT RTSA 117 NN	38,00
BB	IT RTSA 117 BB	38,00
NF	IT RTSA 117 NF	39,00
HH	IT RTSA 117 HH	45,00
CZ	IT RTSA 117 CZ	45,00

Scarico click-clack universale con inserto per sempre aperto
Universal up/down pop-up waste with adaptor for continuous water flow
Bonde click-clack universelle avec option écoulement libre
Universal-Ablaufgarnitur Click-Clack mit Verschlussperre



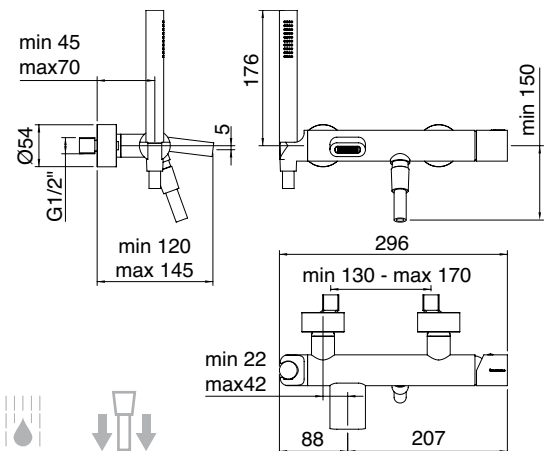
CC	IT 0405 CC ZZ ZZ	88,00
NN	IT 0405 NN ZZ ZZ	177,00
BB	IT 0405 BB ZZ ZZ	177,00
NF	IT 0405 NF ZZ ZZ	167,00
HH	IT 0405 HH ZZ ZZ	136,00
CZ	IT 0405 CZ ZZ ZZ	136,00

Sifone a vista
Drain-trap
Siphon
Siphon für Waschtisch



CC	IT 5400 CC BF ZZ	499,00
NN	IT 5400 NN BF ZZ	662,00
BB	IT 5400 BB BF ZZ	662,00
NF	IT 5400 NF BF ZZ	647,00
HH	IT 5400 HH BF ZZ	767,00
CZ	IT 5400 CZ BF ZZ	767,00

Miscelatore monocomando esterno vasca
Wall-mtd. bathtub mixer
Mitigeur bain/douche mural
AP-Badewannen-Einhandbatterie



ITRTVT131ZZ



ITRTAE135ZZ



ITRTAT112ZZ



1,5 M PVC



METAL



16 l/min



8 l/min



DIVERTER

RAN

HASK

PA36

UP+

TIME - TIME_OUT

NANOtech



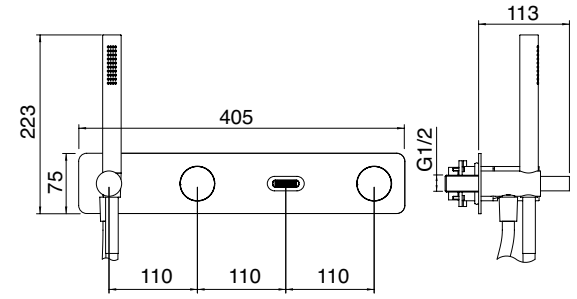
IT 5400 CC BF ZZ

- CC RWIT 54D7 CC 01 471,00
- NN RWIT 54D7 NN 01 667,00
- BB RWIT 54D7 BB 01 667,00
- NF RWIT 54D7 NF 01 658,00
- HH RWIT 54D7 HH 01 808,00
- CZ RWIT 54D7 CZ 01 808,00

- RWIT 51D7 ZZ 12 305,00**
- + PARTI INCASSO - CONCEALED BODY**
- CORPS À ENCASTRER - UNTERPUTZTEIL**



Miscelatore monocomando vasca/doccia incasso
 Concealed bath/shower mixer
 Mitigeur bain/douche à encastrer
 Wanne / Brause EHM UP



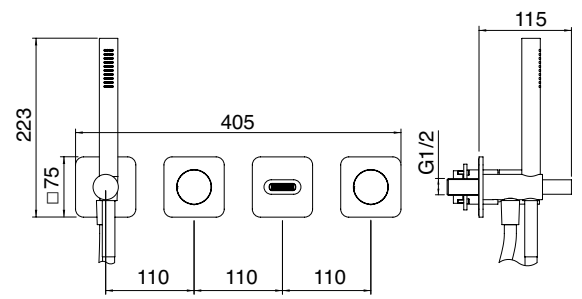
ITRTVT131ZZ ITRTAE135ZZ 1,5 cm RWIT51A5ZZ80 i2 3 cm RWIT51A5ZZ85 i2 5 cm RWIT51A5ZZ90 i2 1,5 M PVC METAL ≥ 22 l/min ≤ 8 l/min N° 151 RWIT51D7ZZ50

- CC RWIT 54D8 CC 01 526,00
- NN RWIT 54D8 NN 01 747,00
- BB RWIT 54D8 BB 01 747,00
- NF RWIT 54D8 NF 01 736,00
- HH RWIT 54D8 HH 01 904,00
- CZ RWIT 54D8 CZ 01 904,00

- RWIT 51D7 ZZ 12 305,00**
- + PARTI INCASSO - CONCEALED BODY**
- CORPS À ENCASTRER - UNTERPUTZTEIL**



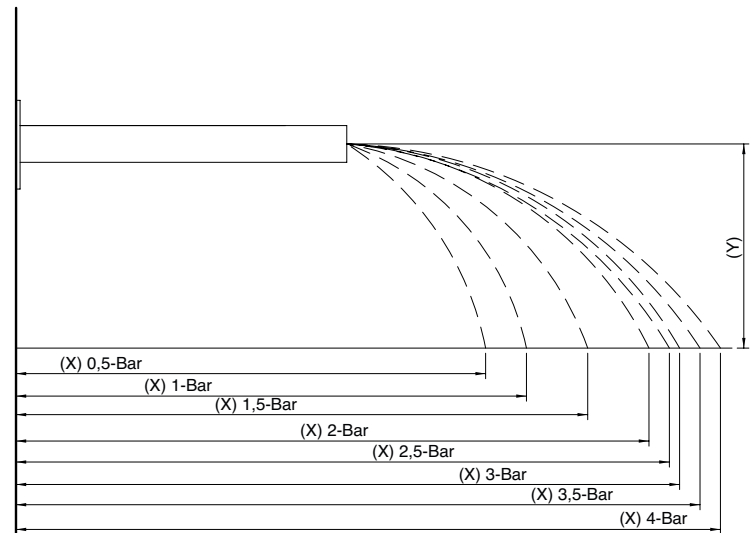
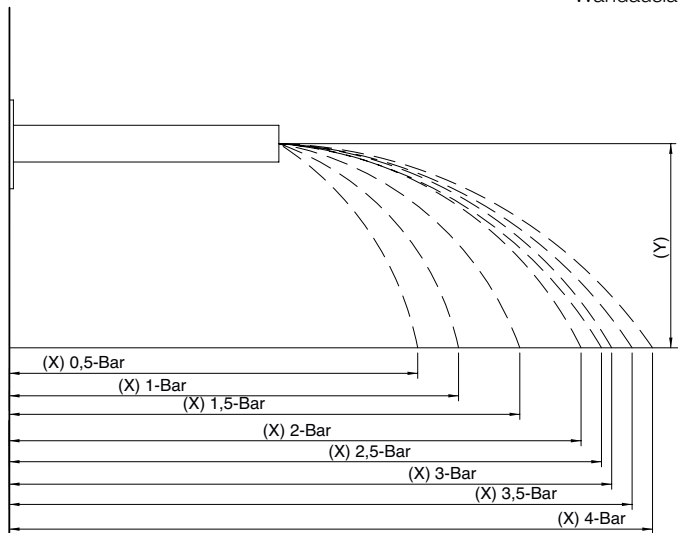
Miscelatore monocomando vasca/doccia incasso
 Concealed bath/shower mixer
 Mitigeur bain/douche à encastrer
 Wanne / Brause EHM UP



ITRTVT131ZZ ITRTAE135ZZ 1,5 cm RWIT51A5ZZ80 i2 3 cm RWIT51A5ZZ85 i2 5 cm RWIT51A5ZZ90 i2 1,5 M PVC METAL ≥ 22 l/min ≤ 8 l/min N° 151 RWIT51D7ZZ50

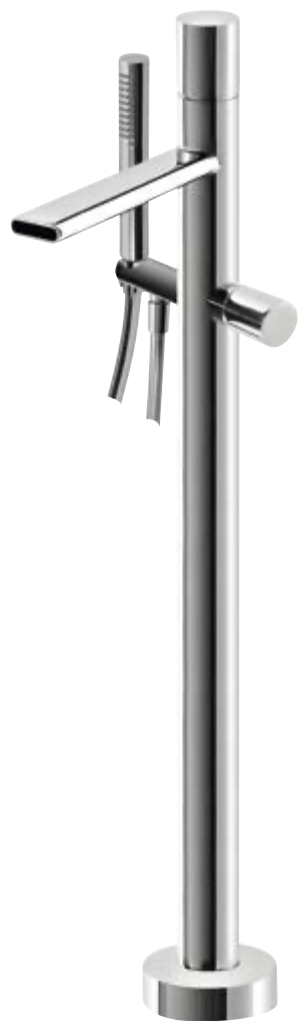
IT 5463 __ ZZ HF
 RWIT 54D7 __ 01
 RWIT 54D8 __ 01
 Bocca a muro 115
 Wall-mtd. spout 115
 Bec mural 115
 Wandauslauf 115

IT 5461 CC ZZ HF
 Bocca a muro 165
 Wall-mtd. spout 165
 Bec mural 165
 Wandauslauf 165



Y (mm)	X							
	0,5 (Bar)	1 (Bar)	1,5 (Bar)	2 (Bar)	2,5 (Bar)	3 (Bar)	3,5 (Bar)	4 (Bar)
100	250	320	380	400	430	460	500	520
150	280	350	410	430	480	500	560	610
200	300	380	450	480	520	560	610	660
250	320	410	480	520	570	610	660	700
300	340	440	510	560	600	660	700	740

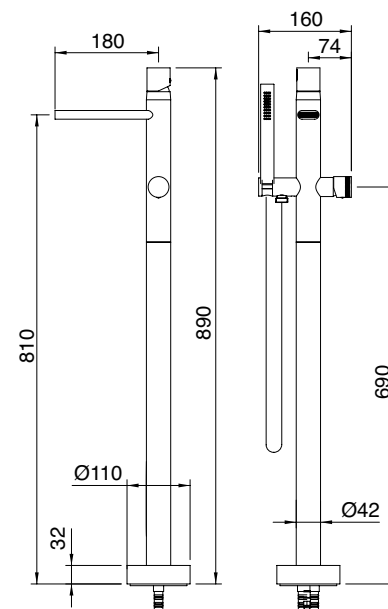
Y (mm)	X							
	0,5 (Bar)	1 (Bar)	1,5 (Bar)	2 (Bar)	2,5 (Bar)	3 (Bar)	3,5 (Bar)	4 (Bar)
100	300	370	430	450	480	510	550	570
150	330	400	460	480	530	550	610	660
200	350	430	500	530	570	610	660	710
250	370	460	530	570	620	660	710	750
300	390	490	560	610	650	710	750	790



CC	RWIT 5403 CC 03	736,00
NN	RWIT 5403 NN 03	1.046,00
BB	RWIT 5403 BB 03	1.046,00
NF	RWIT 5403 NF 03	1.032,00
HH	RWIT 5403 HH 03	1.265,00
CZ	RWIT 5403 CZ 03	1.265,00

RWIT 5703 ZZ 07 212,00
 + PARTI INCASSO - CONCEALED BODY
 CORPS À ENCASTRER - UNTERPUTZTEIL

Miscelatore monocomando vasca da terra
 Floor standing bathub mixer
 Mitigeur bain douche sur colonne au sol
 Einhebel - Wannenstandarmatur

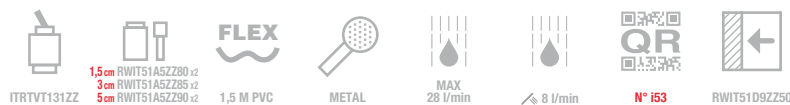
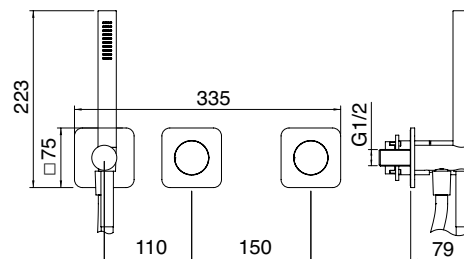


CC	RWIT 54D9 CC 01	432,00
NN	RWIT 54D9 NN 01	612,00
BB	RWIT 54D9 BB 01	612,00
NF	RWIT 54D9 NF 01	604,00
HH	RWIT 54D9 HH 01	741,00
CZ	RWIT 54D9 CZ 01	741,00

RWIT 51D9 ZZ 01 293,00
 + PARTI INCASSO - CONCEALED BODY
 CORPS À ENCASTRER - UNTERPUTZTEIL



Miscelatore monocomando vasca/doccia incasso
 Concealed bath/shower mixer
 Mitigeur bain/douche à encastrer
 Wanne / Brause EHM UP

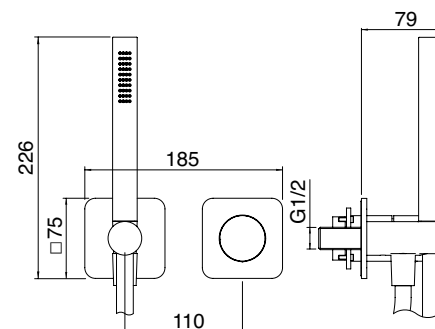


CC	RWIT 54D4 CC 01	276,00
NN	RWIT 54D4 NN 01	391,00
BB	RWIT 54D4 BB 01	391,00
NF	RWIT 54D4 NF 01	385,00
HH	RWIT 54D4 HH 01	473,00
CZ	RWIT 54D4 CZ 01	473,00

RWIT 51A5 ZZ 01 138,00
 + PARTI INCASSO - CONCEALED BODY
 CORPS À ENCASTRER - UNTERPUTZTEIL



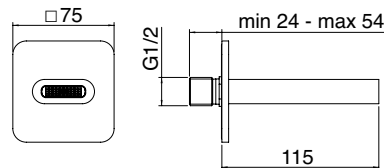
Miscelatore monocomando incasso doccia con doccetta
 Concealed shower mixer with hand-shower
 Mitigeur douche à encastrer avec douchette
 Brause EHM UP mit Handbrause





CC	IT 5463 CC ZZ HF	167,00
NN	IT 5463 NN ZZ HF	223,00
BB	IT 5463 BB ZZ HF	223,00
NF	IT 5463 NF ZZ HF	218,00
HH	IT 5463 HH ZZ HF	257,00
CZ	IT 5463 CZ ZZ HF	257,00

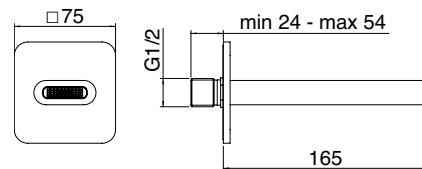
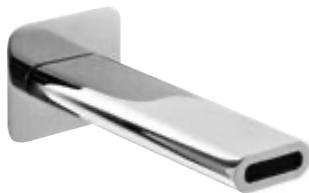
Bocca a muro 115
Wall-mtd. spout 115
Bec mural 115
Wandauslauf 11 5



ITRTAE135ZZ 16 l/min

CC	IT 5461 CC ZZ HF	187,00
NN	IT 5461 NN ZZ HF	247,00
BB	IT 5461 BB ZZ HF	247,00
NF	IT 5461 NF ZZ HF	242,00
HH	IT 5461 HH ZZ HF	287,00
CZ	IT 5461 CZ ZZ HF	287,00

Bocca a muro 165
Wall-mtd. spout 165
Bec mural 165
Wandauslauf 165



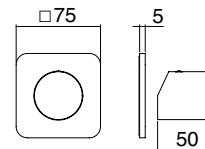
ITRTAE135ZZ 16 l/min

CC	RWIT 5459 CC 80	88,00	RWIT 5459 CC 70	62,00
NN	RWIT 5459 NN 80	117,00	RWIT 5459 NN 70	83,00
BB	RWIT 5459 BB 80	117,00	RWIT 5459 BB 70	83,00
NF	RWIT 5459 NF 80	115,00	RWIT 5459 NF 70	82,00
HH	RWIT 5459 HH 80	135,00	RWIT 5459 HH 70	95,00
CZ	RWIT 5459 CZ 80	135,00	RWIT 5459 CZ 70	95,00

Monocomando remoto lavabo/doccia incasso
Concealed washbasin/shower mixer
Mitigeur lavabo/douche à encastrer
UP-Waschtisch/Dusche Mischer



PARTI INCASSO - CONCEALED BODY
CORPS À ENCASTRER - UNTERPUTZTEIL



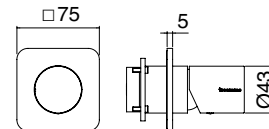
ITRTVT131ZZ RWIT5408_60 20 l/min P_801

CC	RWIT 54C8 CC 01	157,00	RWIT 51A8 ZZ 03	128,00
NN	RWIT 54C8 NN 01	223,00	RWIT 51A8 ZZ 03	128,00
BB	RWIT 54C8 BB 01	223,00	RWIT 51A8 ZZ 03	128,00
NF	RWIT 54C8 NF 01	220,00	RWIT 51A8 ZZ 03	128,00
HH	RWIT 54C8 HH 01	269,00	RWIT 51A8 ZZ 03	128,00
CZ	RWIT 54C8 CZ 01	269,00	RWIT 51A8 ZZ 03	128,00

Monocomando remoto lavabo/doccia incasso
Concealed washbasin/shower mixer
Mitigeur lavabo/douche à encastrer
UP-Waschtisch/Dusche Mischer



PARTI INCASSO - CONCEALED BODY
CORPS À ENCASTRER - UNTERPUTZTEIL



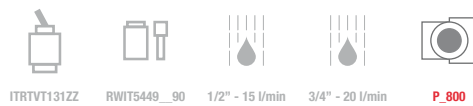
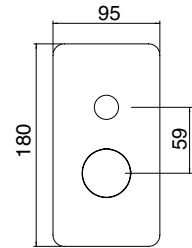
ITRTVT131ZZ 1,5cm RWIT51ASZZ80 3cm RWIT51ASZZ85 5cm RWIT51ASZZ90 28 l/min N° i43 RWIT51A8ZZ90



CC	RWIT 5449 CC 80	92,00	RWIT 5449 CC 70	137,00
NN	RWIT 5449 NN 80	122,00	RWIT 5449 NN 70	183,00
BB	RWIT 5449 BB 80	122,00	RWIT 5449 BB 70	183,00
NF	RWIT 5449 NF 80	119,00	RWIT 5449 NF 70	179,00
HH	RWIT 5449 HH 80	140,00	RWIT 5449 HH 70	211,00
CZ	RWIT 5449 CZ 80	140,00	RWIT 5449 CZ 70	211,00

Miscelatore monocomando vasca/doccia incasso
 Concealed bath/shower mixer with diverter
 Mitigeur bain/douche à encastrer avec inverseur
 UP Wanne/Brause Einhebelmischer

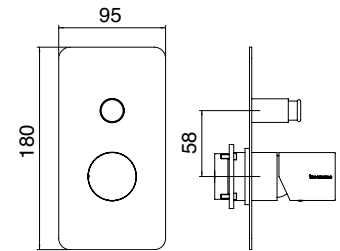
PARTI INCASSO - CONCEALED BODY
CORPS À ENCASTRER - UNTERPUTZTEIL



CC	RWIT 54B1 CC 02	170,00	RWIT 51B1 ZZ 03	160,00
NN	RWIT 54B1 NN 02	242,00	PARTI INCASSO - CONCEALED BODY	P_790
BB	RWIT 54B1 BB 02	242,00	CORPS À ENCASTRER - UNTERPUTZTEIL	
NF	RWIT 54B1 NF 02	238,00		
HH	RWIT 54B1 HH 02	293,00		
CZ	RWIT 54B1 CZ 02	293,00		

Miscelatore monocomando vasca/doccia incasso
 Concealed bath/shower mixer with diverter
 Mitigeur bain/douche à encastrer avec inverseur
 UP Wanne/Brause Einhebelmischer

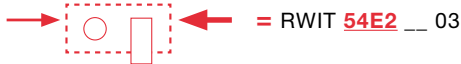
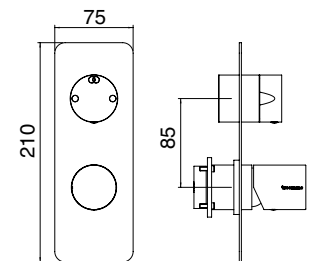
PARTI INCASSO - CONCEALED BODY
CORPS À ENCASTRER - UNTERPUTZTEIL



CC	RWIT 54A2 CC 03	263,00	RWIT 22A2 ZZ 01	237,00
NN	RWIT 54A2 NN 03	374,00	PARTI INCASSO - CONCEALED BODY	P_790
BB	RWIT 54A2 BB 03	374,00	CORPS À ENCASTRER - UNTERPUTZTEIL	
NF	RWIT 54A2 NF 03	368,00		
HH	RWIT 54A2 HH 03	453,00		
CZ	RWIT 54A2 CZ 03	453,00		

Miscelatore monocomando con deviatore 2 uscite
 Concealed mixer with 2 ways diverter
 Mitigeur à encastrer avec inverseur à 2 sorties
 EHM UP mit 2 Wege Umsteller

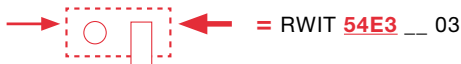
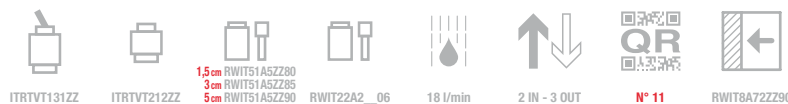
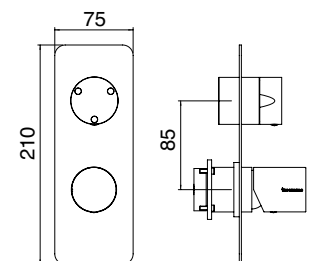
PARTI INCASSO - CONCEALED BODY
CORPS À ENCASTRER - UNTERPUTZTEIL



CC	RWIT 54A3 CC 03	290,00	RWIT 22A2 ZZ 01	237,00
NN	RWIT 54A3 NN 03	411,00	PARTI INCASSO - CONCEALED BODY	P_790
BB	RWIT 54A3 BB 03	411,00	CORPS À ENCASTRER - UNTERPUTZTEIL	
NF	RWIT 54A3 NF 03	405,00		
HH	RWIT 54A3 HH 03	498,00		
CZ	RWIT 54A3 CZ 03	498,00		

Miscelatore monocomando con deviatore 3 uscite
 Concealed mixer with 3 ways diverter
 Mitigeur à encastrer avec inverseur à 3 sorties
 EHM UP mit 3 Wege Umsteller

PARTI INCASSO - CONCEALED BODY
CORPS À ENCASTRER - UNTERPUTZTEIL



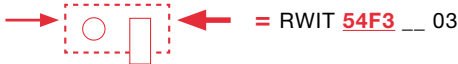
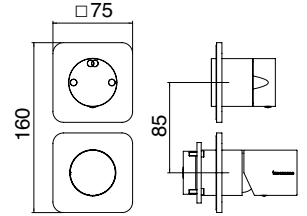


CC	RWIT 54C2 CC 03	290,00
NN	RWIT 54C2 NN 03	411,00
BB	RWIT 54C2 BB 03	411,00
NF	RWIT 54C2 NF 03	405,00
HH	RWIT 54C2 HH 03	498,00
CZ	RWIT 54C2 CZ 03	498,00

RWIT 22A2 ZZ 01 237,00
 + PARTI INCASSO - CONCEALED BODY
 CORPS À ENCASTRER - UNTERPUTZTEIL



Miscelatore monocomando con deviatore 2 uscite
 Concealed mixer with 2 ways diverter
 Mitigeur à encastrer avec inverseur à 2 sorties
 EHM UP mit 2 Wege Umsteller

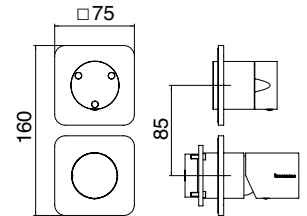


CC	RWIT 54C3 CC 03	319,00
NN	RWIT 54C3 NN 03	453,00
BB	RWIT 54C3 BB 03	453,00
NF	RWIT 54C3 NF 03	445,00
HH	RWIT 54C3 HH 03	547,00
CZ	RWIT 54C3 CZ 03	547,00

RWIT 22A2 ZZ 01 237,00
 + PARTI INCASSO - CONCEALED BODY
 CORPS À ENCASTRER - UNTERPUTZTEIL



Miscelatore monocomando con deviatore 3 uscite
 Concealed mixer with 3 ways diverter
 Mitigeur à encastrer avec inverseur à 3 sorties
 EHM UP mit 3 Wege Umsteller

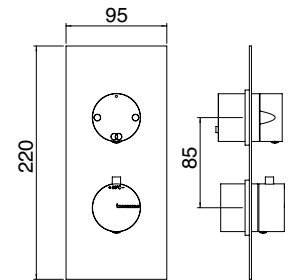


CC	RWIT 8A46 CC 03	230,00
NN	RWIT 8A46 NN 03	327,00
BB	RWIT 8A46 BB 03	327,00
NF	RWIT 8A46 NF 03	323,00
HH	RWIT 8A46 HH 03	396,00
CZ	RWIT 8A46 CZ 03	396,00

RWIT 8A46 ZZ 20 309,00
 + PARTI INCASSO - CONCEALED BODY
 CORPS À ENCASTRER - UNTERPUTZTEIL



Termostatico incasso con deviatore 2 uscite
 Concealed thermostatic with 2 ways diverter
 Thermostatique à encastrer avec inverseur à 2 sorties
 UP-Thermostat mit 2 Wege Umsteller

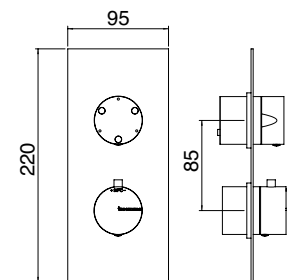


CC	RWIT 8A72 CC 03	277,00
NN	RWIT 8A72 NN 03	393,00
BB	RWIT 8A72 BB 03	393,00
NF	RWIT 8A72 NF 03	388,00
HH	RWIT 8A72 HH 03	475,00
CZ	RWIT 8A72 CZ 03	475,00

RWIT 8A46 ZZ 20 309,00
 + PARTI INCASSO - CONCEALED BODY
 CORPS À ENCASTRER - UNTERPUTZTEIL



Termostatico incasso con deviatore 3 uscite
 Concealed thermostatic with 3 ways diverter
 Thermostatique à encastrer avec inverseur à 3 sorties
 UP-Thermostat mit 3 Wege Umsteller






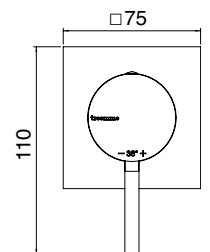





RWIT 5447 CC 01

CC	RWIT 7582 CC 04	176,00	RWIT 7582 CC 02	142,00
NN	RWIT 7582 NN 04	234,00	RWIT 7582 NN 02	189,00
BB	RWIT 7582 BB 04	234,00	+ RWIT 7582 BB 02	189,00
NF	RWIT 7582 NF 04	228,00	RWIT 7582 NF 02	185,00
HH	RWIT 7582 HH 04	270,00	RWIT 7582 HH 02	219,00
CZ	RWIT 7582 CZ 04	270,00	RWIT 7582 CZ 02	219,00

Termostatico incasso COAX
 Concealed thermostatic COAX
 Thermostatique à encastrer COAX
 UP-Thermostat COAX

 PARTI INCASSO - CONCEALED BODY
 CORPS À ENCASTRER - UNTERPUTZTEIL

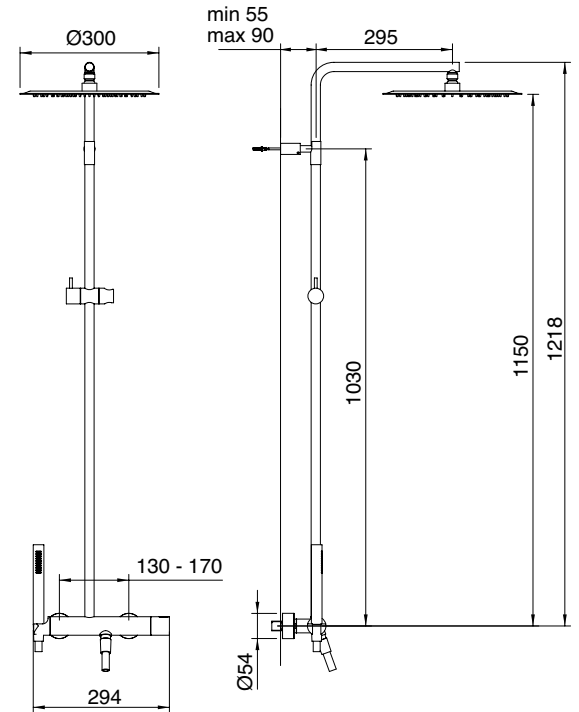


 ITRTVT157ZZ
 RWIT2608_25
 22 l/min
 P_807



CC	IT 5460 CC BF ZZ	809,00
NN	IT 5460 NN BF ZZ	1.076,00
BB	IT 5460 BB BF ZZ	1.076,00
NF	IT 5460 NF BF ZZ	1.051,00
HH	IT 5460 HH BF ZZ	1.246,00
CZ	IT 5460 CZ BF ZZ	1.246,00

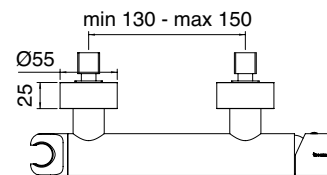
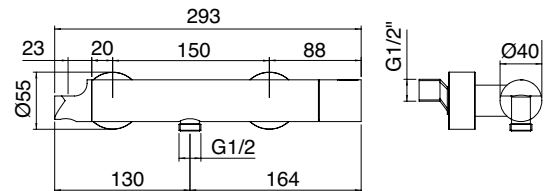
Gruppo doccia con doccetta e soffione anticalcare
 Wall-mtd. shower set, anti-limescale
 hand-shower and shower head
 Mitigeur douche mural, douchette et tête
 de douche anticalcaire
 Regenbrause-Set, Antikalk Handbrause
 und Kopfbrause



ITRTVT131ZZ METAL 300 mm 1,5 M PVC METAL DIVERTER N° 67 9 l/min 8 l/min P_660

CC	IT 5456 CC BF ZZ	289,00
NN	IT 5456 NN BF ZZ	384,00
BB	IT 5456 BB BF ZZ	384,00
NF	IT 5456 NF BF ZZ	375,00
HH	IT 5456 HH BF ZZ	444,00
CZ	IT 5456 CZ BF ZZ	444,00

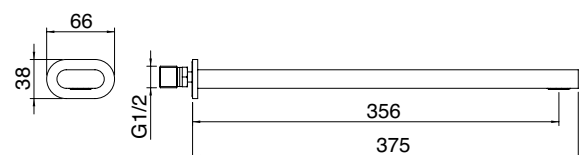
Miscelatore monocomando esterno doccia
 Wall-mtd. shower mixer
 Mitigeur douche mural
 AP-Brause-Einhandbatterie



ITRTVT131ZZ 1/2 M 1/2 M x2 14 l/min N° 67

CC	RWIT 6599 CC 01	279,00
NN	RWIT 6599 NN 01	371,00
BB	RWIT 6599 BB 01	371,00
NF	RWIT 6599 NF 01	362,00
HH	RWIT 6599 HH 01	429,00
CZ	RWIT 6599 CZ 01	429,00

Soffione a parete
 Wall-mtd. shower-head
 Douche de tête mural
 Wand Kopfbrause

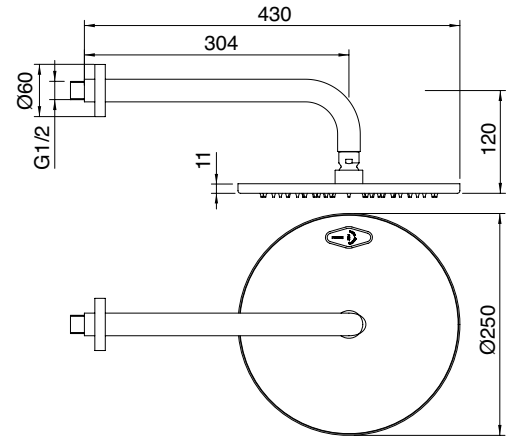


1/2" M ITRTAT111ZZ ITRTAE180ZZ 9 l/min P_634



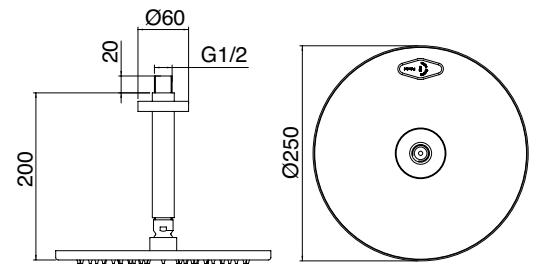
CC	IT 6586 CC ZZ VS	311,00
NN	IT 6586 NN ZZ VS	414,00
BB	IT 6586 BB ZZ VS	414,00
NF	IT 6586 NF ZZ VS	404,00
HH	IT 6586 HH ZZ VS	478,00
CZ	IT 6586 CZ ZZ VS	478,00

Soffione a parete anticalcare
Anti-limescale shower-head
Douche de tête anticalcaire avec bras mural
Antikalk Kopfbrause mit Arm



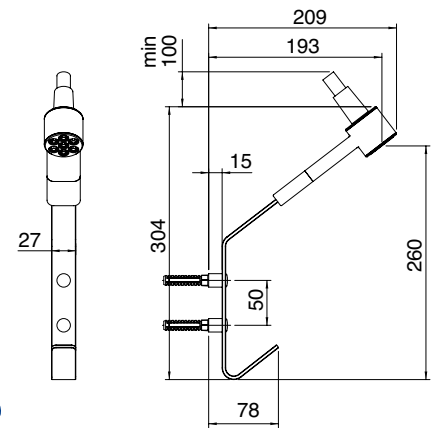
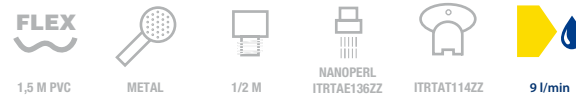
CC	IT 6587 CC ZZ VS	292,00
NN	IT 6587 NN ZZ VS	388,00
BB	IT 6587 BB ZZ VS	388,00
NF	IT 6587 NF ZZ VS	380,00
HH	IT 6587 HH ZZ VS	449,00
CZ	IT 6587 CZ ZZ VS	449,00

Soffione a soffitto anticalcare
Ceiling anti-limescale shower-head
Douche de tête anticalcaire avec bras au plafond
Antikalk Regenbrause mit Deckenanbindung



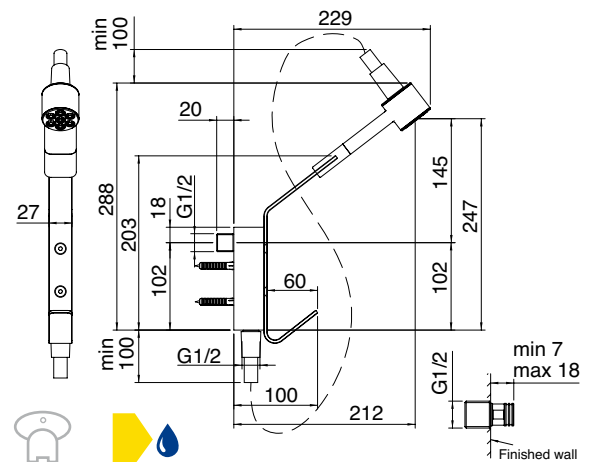
CC	RWIT 5447 CC 02	351,00
NN	RWIT 5447 NN 02	467,00
BB	RWIT 5447 BB 02	467,00
NF	RWIT 5447 NF 02	456,00
HH	RWIT 5447 HH 02	540,00
CZ	RWIT 5447 CZ 02	540,00

Set doccia
Shower set
Set de douche
Duschset



CC	RWIT 5447 CC 01	431,00
NN	RWIT 5447 NN 01	572,00
BB	RWIT 5447 BB 01	572,00
NF	RWIT 5447 NF 01	559,00
HH	RWIT 5447 HH 01	662,00
CZ	RWIT 5447 CZ 01	662,00

Set doccia con presa acqua
Shower set with hoseoutlet
Set de douche avec prise d'eau
Duschset mit Anschlussboge



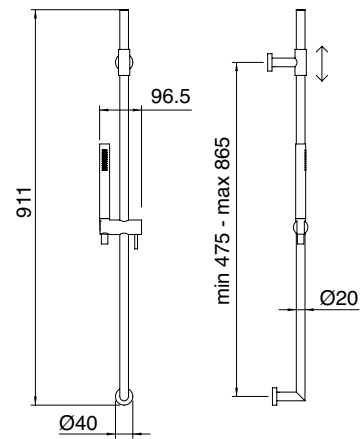


CC	IT 6529 CC ZZ ZZ	223,00
NN	IT 6529 NN ZZ ZZ	319,00
BB	IT 6529 BB ZZ ZZ	319,00
NF	IT 6529 NF ZZ ZZ	315,00
HH	IT 6529 HH ZZ ZZ	343,00
CZ	IT 6529 CZ ZZ ZZ	343,00

Kit saliscendi senza presa acqua
 Sliding-bar kit without wall hose outlet
 Barre coulissante sans coude mural
 Gleitstange ohne Wandanschlussbogen



1,5 M PVC METAL 8 l/min

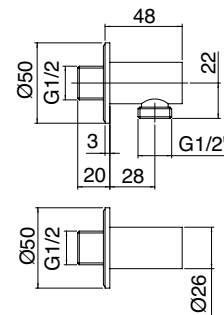


CC	IT RTGA 123 CC	25,00
NN	IT RTGA 123 NN	39,00
BB	IT RTGA 123 BB	39,00
NF	IT RTGA 123 NF	49,00
HH	IT RTGA 123 HH	27,00
CZ	IT RTGA 123 CZ	27,00

Presa acqua a muro
 Wall hose outlet
 Coude mural
 Wandanschlussbogen



1/2 M 1/2 M

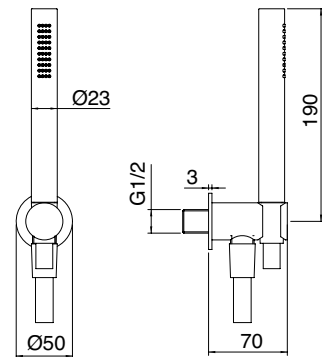


CC	RWIT 2705 CC 74	123,00
NN	RWIT 2705 NN 74	189,00
BB	RWIT 2705 BB 74	189,00
NF	RWIT 2705 NF 74	184,00
HH	RWIT 2705 HH 74	189,00
CZ	RWIT 2705 CZ 74	189,00

Kit gancio, flessibile, doccia
 Hook, flexible and hand shower kit
 Kit support, flexible et douchette
 Brausehalter, Schlauch und Handbrause



1,5 M PVC METAL 1/2 M 1/2 M 8 l/min



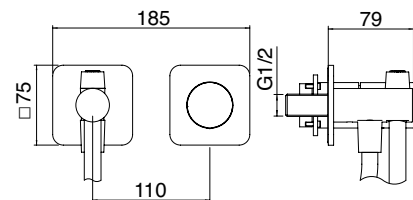
CC	RWIT 54D4 CC 02	253,00
NN	RWIT 54D4 NN 02	358,00
BB	RWIT 54D4 BB 02	358,00
NF	RWIT 54D4 NF 02	352,00
HH	RWIT 54D4 HH 02	433,00
CZ	RWIT 54D4 CZ 02	433,00

Miscelatore incasso con doccia per WC
 Concealed mixer with wc hand shower
 Mitigeur à encastrer avec douchette WC
 U-P Mischer mit WC Handbrause

RWIT 51A5 ZZ 01 138,00
 + PARTI INCASSO - CONCEALED BODY
 CORPS À ENCASTRER - UNTERPUTZTEIL



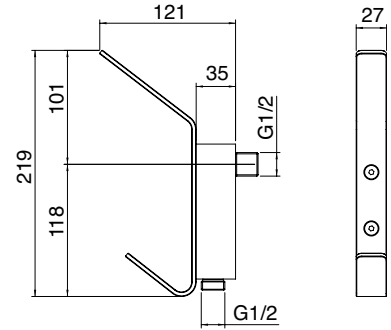
ITRTV131ZZ ITRTAE186ZZ ITRTAT120ZZ 1,5cm RWIT51ASZZ80 3cm RWIT51ASZZ85 5cm RWIT51ASZZ90 1 M PVC METAL 7 l/min QR RWIT51CSZZ90





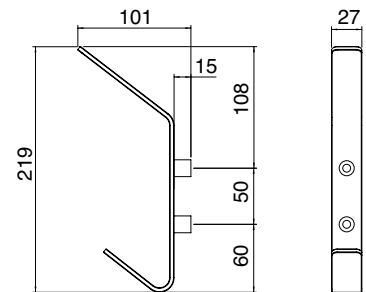
NN RWIT 5447 NN 04 195,00

Presacqua con gancio fisso
Hand-shower hook with wall hose outlet
Support pour douchette fixe avec coude mural
Brausehalter mit Wandanschlussbogen



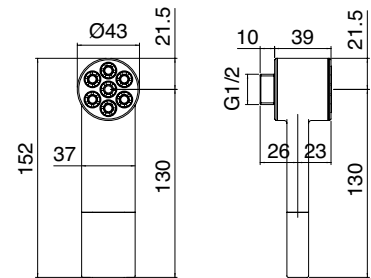
NN RWIT 5447 NN 06 117,00

Gancio fisso
Hand-shower hook
Support pour douchette fixe
Brausehalter



- CC** RWIT 5447 CC 03 213,00
- NN** RWIT 5447 NN 03 283,00
- BB** RWIT 5447 BB 03 283,00
- NF** RWIT 5447 NF 03 277,00
- HH** RWIT 5447 HH 03 328,00
- CZ** RWIT 5447 CZ 03 328,00

Doccetta anticalcare
Anti-limescale hand-shower
Douchette anticalcaire
Antikalk Handbrause



Per ulteriori composizioni doccia vedi sezione SHOWERS & THERMOSTATICS

For other shower fittings check the SHOWERS & THERMOSTATICS section

Pour d'autres solutions douche voir section SHOWERS & THERMOSTATICS

Für weitere duschaustattungen siehe abschnitt SHOWERS & THERMOSTATICS

Xero

design by treemme

chrome **CC**
matt black **NN**
matt white **BB**
brushed nickel **NF**
polished black chrome **HH**
brushed black chrome **CZ**



RAN

HASK

PA36

UP+

TIME - TIME_OUT

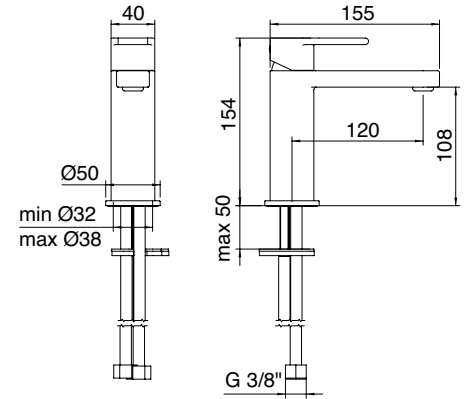
NANOtech

XERO



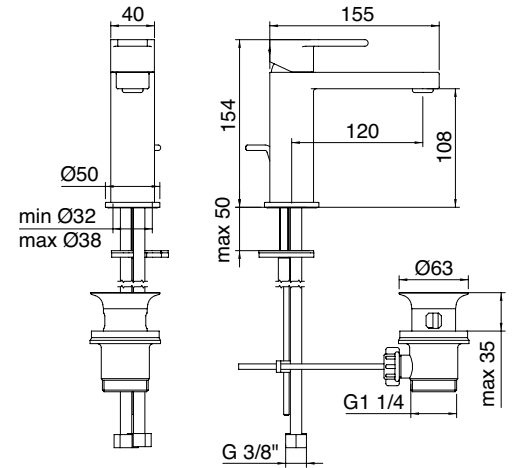
CC	IT 6211 CC XE ZZ	184,00
NN	IT 6211 NN XE ZZ	243,00
BB	IT 6211 BB XE ZZ	243,00
NF	IT 6211 NF XE ZZ	237,00
HH	IT 6211 HH XE ZZ	281,00
CZ	IT 6211 CZ XE ZZ	281,00

Miscelatore monocomando lavabo 108
 Washbasin mixer 108
 Mitigeur lavabo 108
 Einhand-Waschtischmischer 108



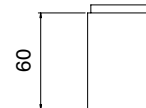
CC	IT 6210 CC XE ZZ	195,00
NN	IT 6210 NN XE ZZ	259,00
BB	IT 6210 BB XE ZZ	259,00
NF	IT 6210 NF XE ZZ	254,00
HH	IT 6210 HH XE ZZ	300,00
CZ	IT 6210 CZ XE ZZ	300,00

Miscelatore monocomando lavabo 108
 Washbasin mixer 108
 Mitigeur lavabo 108
 Einhand-Waschtischmischer 108



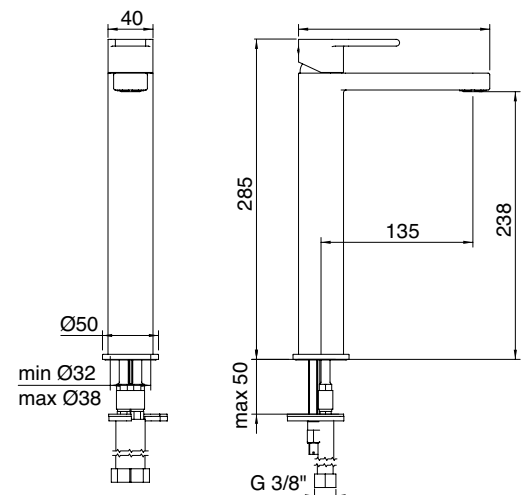
CC	RWIT 2710 CC 04	45,00
NN	RWIT 2710 NN 04	59,00
BB	RWIT 2710 BB 04	59,00
NF	RWIT 2710 NF 04	58,00
HH	RWIT 2710 HH 04	68,00
CZ	RWIT 2710 CZ 04	68,00

Kit prolunga per monocomando 60 mm
 60 mm basin extension kit
 Kit de rallonge 60 mm. pour mitigeur
 60 mm Verlängerung kit für Waschtisch



CC	IT 6218 CC XE ZZ	273,00
NN	IT 6218 NN XE ZZ	363,00
BB	IT 6218 BB XE ZZ	363,00
NF	IT 6218 NF XE ZZ	356,00
HH	IT 6218 HH XE ZZ	420,00
CZ	IT 6218 CZ XE ZZ	420,00

Miscelatore monocomando lavabo 238
 Washbasin mixer 238
 Mitigeur lavabo 238
 Einhand-Waschtischmischer 238





IT 6211 BB XE ZZ

XERO

NANOtech

TIME - TIME_OUT

UP+

PA36

HASK

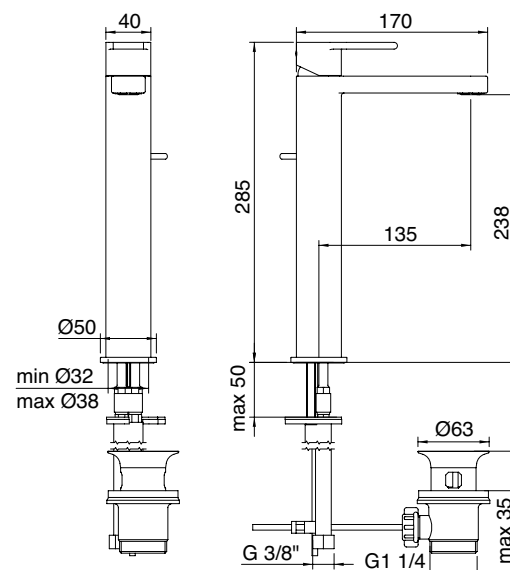
RAN

XERO NANOTECH TIME - TIME_OUT UP+ PA36 HASK RAN



CC	IT 6212 CC XE ZZ	301,00
NN	IT 6212 NN XE ZZ	400,00
BB	IT 6212 BB XE ZZ	400,00
NF	IT 6212 NF XE ZZ	392,00
HH	IT 6212 HH XE ZZ	463,00
CZ	IT 6212 CZ XE ZZ	463,00

Miscelatore monocomando lavabo 238
 Washbasin mixer 238
 Mitigeur lavabo 238
 Einhand-Waschtischmischer 238

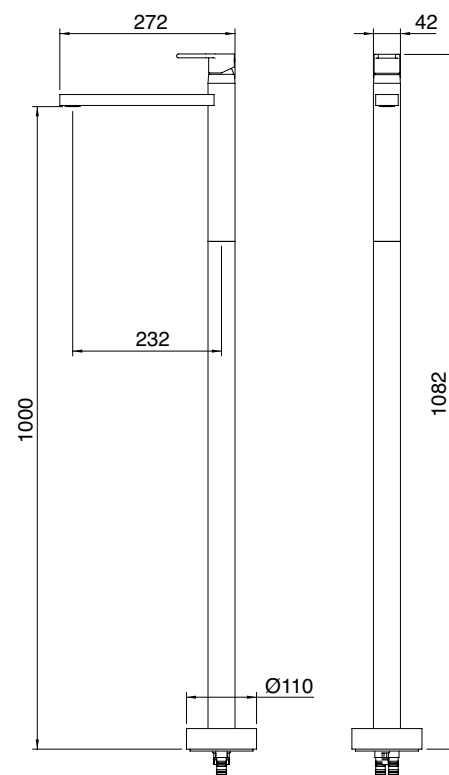


CC	RWIT 6214 CC 10	705,00
NN	RWIT 6214 NN 10	1.002,00
BB	RWIT 6214 BB 10	1.002,00
NF	RWIT 6214 NF 10	987,00
HH	RWIT 6214 HH 10	1.213,00
CZ	RWIT 6214 CZ 10	1.213,00

RWIT 5703 ZZ 07 212,00

+ PARTI INCASSO - CONCEALED BODY
CORPS À ENCASTER - UNTERPUTZTEIL

Miscelatore monocomando lavabo da terra
 Floor standing washbasin mixer
 Mitigeur lavabo sur colonne au sol
 Waschtisch-Einhebelmischer Standarmatur

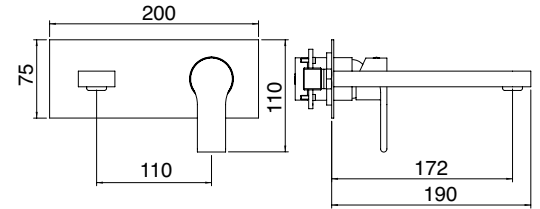


CC	RWIT 62A5 CC 01	228,00
NN	RWIT 62A5 NN 01	323,00
BB	RWIT 62A5 BB 01	323,00
NF	RWIT 62A5 NF 01	318,00
HH	RWIT 62A5 HH 01	391,00
CZ	RWIT 62A5 CZ 01	391,00

RWIT 51A5 ZZ 01 138,00
 + PARTI INCASSO - CONCEALED BODY
 CORPS À ENCASTRER - UNTERPUTZTEIL



Miscelatore monocomando lavabo incasso 172
 Concealed washbasin mixer 172
 Mitigeur lavabo à encastrer 172
 UP-Einhand-Waschtischmischer 172

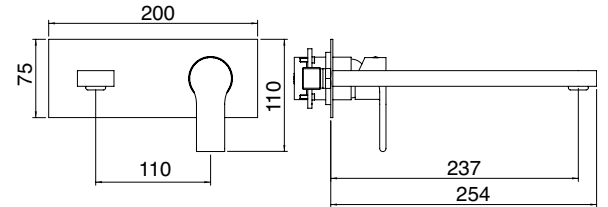


CC	RWIT 62A6 CC 01	254,00
NN	RWIT 62A6 NN 01	359,00
BB	RWIT 62A6 BB 01	359,00
NF	RWIT 62A6 NF 01	354,00
HH	RWIT 62A6 HH 01	435,00
CZ	RWIT 62A6 CZ 01	435,00

RWIT 51A5 ZZ 01 138,00
 + PARTI INCASSO - CONCEALED BODY
 CORPS À ENCASTRER - UNTERPUTZTEIL



Miscelatore monocomando lavabo incasso 237
 Concealed washbasin mixer 237
 Mitigeur lavabo à encastrer 237
 UP-Einhand-Waschtischmischer 237

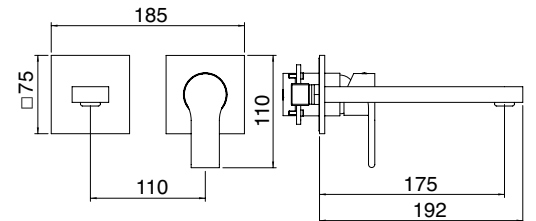


CC	RWIT 62C5 CC 01	276,00
NN	RWIT 62C5 NN 01	391,00
BB	RWIT 62C5 BB 01	391,00
NF	RWIT 62C5 NF 01	385,00
HH	RWIT 62C5 HH 01	473,00
CZ	RWIT 62C5 CZ 01	473,00

RWIT 51A5 ZZ 01 138,00
 + PARTI INCASSO - CONCEALED BODY
 CORPS À ENCASTRER - UNTERPUTZTEIL



Miscelatore monocomando lavabo incasso 175
 Concealed washbasin mixer 175
 Mitigeur lavabo à encastrer 175
 UP-Einhand-Waschtischmischer 175

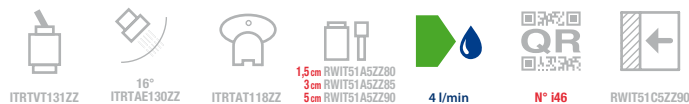
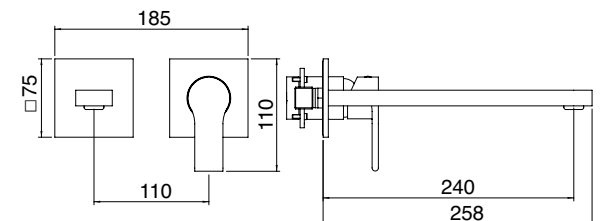


CC	RWIT 62C6 CC 01	302,00
NN	RWIT 62C6 NN 01	429,00
BB	RWIT 62C6 BB 01	429,00
NF	RWIT 62C6 NF 01	422,00
HH	RWIT 62C6 HH 01	519,00
CZ	RWIT 62C6 CZ 01	519,00

RWIT 51A5 ZZ 01 138,00
 + PARTI INCASSO - CONCEALED BODY
 CORPS À ENCASTRER - UNTERPUTZTEIL



Miscelatore monocomando lavabo incasso 240
 Concealed washbasin mixer 240
 Mitigeur lavabo à encastrer 240
 UP-Einhand-Waschtischmischer 240





RWIT 62C5 CC 01

RAN

HASK

PA36

UP+

TIME - TIME_OUT

NANOtech

XERO



RAN

HASK

PA36

UP+

TIME - TIME_OUT

NANOtech

XERO

CC	RWIT 6268 CC 10	205,00
NN	RWIT 6268 NN 10	272,00
BB	RWIT 6268 BB 10	272,00
NF	RWIT 6268 NF 10	266,00
HH	RWIT 6268 HH 10	315,00
CZ	RWIT 6268 CZ 10	315,00

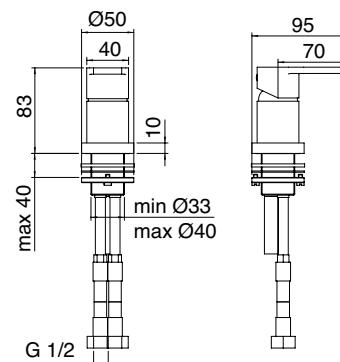
Monocomando remoto da piano
Deck mounted separate control
Mitigeur lavabo sur gorge
Waschtisch Einhebelmischer



ITRTVT131ZZ



24 l/min



CC	RWIT 62C8 CC 01	142,00
NN	RWIT 62C8 NN 01	200,00
BB	RWIT 62C8 BB 01	200,00
NF	RWIT 62C8 NF 01	198,00
HH	RWIT 62C8 HH 01	243,00
CZ	RWIT 62C8 CZ 01	243,00

RWIT 51A8 ZZ 03 128,00
+ PARTI INCASSO - CONCEALED BODY
CORPS À ENCASTRER - UNTERPUTZTEIL



Monocomando remoto lavabo/doccia incasso
Concealed washbasin/shower mixer
Mitigeur lavabo/douche à encastrer
UP-Waschtisch/Dusche Mischer



ITRTVT131ZZ



1,5 cm RWIT51A5ZZ80
3 cm RWIT51A5ZZ85
5 cm RWIT51A5ZZ90



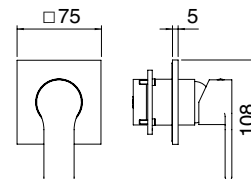
28 l/min



N° 143

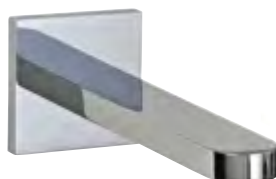


RWIT51A8ZZ90



CC	IT 2763 CC ZZ ZZ	128,00
NN	IT 2763 NN ZZ ZZ	170,00
BB	IT 2763 BB ZZ ZZ	170,00
NF	IT 2763 NF ZZ ZZ	166,00
HH	IT 2763 HH ZZ ZZ	197,00
CZ	IT 2763 CZ ZZ ZZ	197,00

Bocca a muro 175
Wall-mtd spout 175
Bec mural 175
Wandauslauf 175



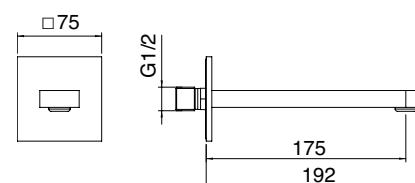
16°
ITRTAE130ZZ



ITRTAT118ZZ

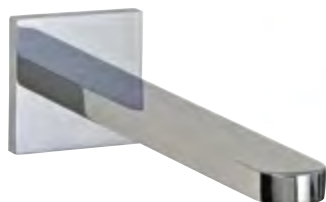


4 l/min



CC	IT 2761 CC ZZ ZZ	150,00
NN	IT 2761 NN ZZ ZZ	198,00
BB	IT 2761 BB ZZ ZZ	198,00
NF	IT 2761 NF ZZ ZZ	194,00
HH	IT 2761 HH ZZ ZZ	230,00
CZ	IT 2761 CZ ZZ ZZ	230,00

Bocca a muro 240
Wall-mtd. spout 240
Bec mural 240
Wandauslauf 240



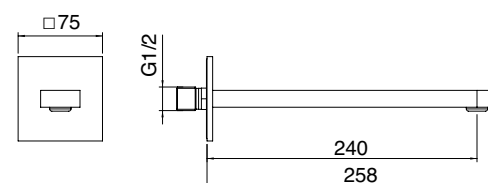
16°
ITRTAE130ZZ



ITRTAT118ZZ



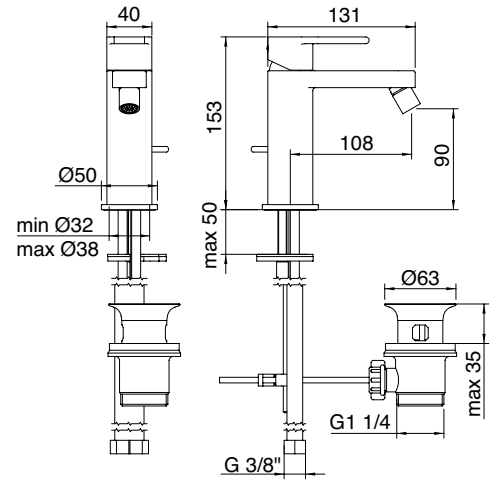
4 l/min





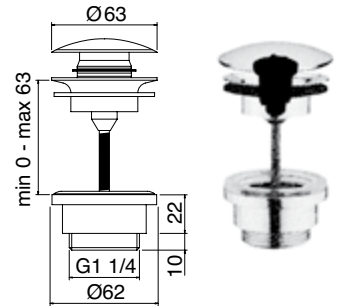
CC	IT 6220 CC XE ZZ	200,00
NN	IT 6220 NN XE ZZ	266,00
BB	IT 6220 BB XE ZZ	266,00
NF	IT 6220 NF XE ZZ	261,00
HH	IT 6220 HH XE ZZ	308,00
CZ	IT 6220 CZ XE ZZ	308,00

Miscelatore monocomando bidet
 Bidet mixer
 Mitigeur bidet
 Einhand-Bidetmischer



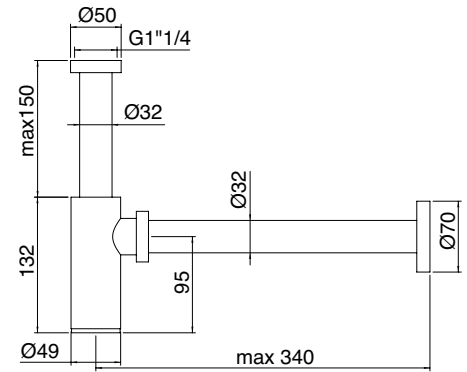
CC	IT RTSA 117 CC	28,00
NN	IT RTSA 117 NN	38,00
BB	IT RTSA 117 BB	38,00
NF	IT RTSA 117 NF	39,00
HH	IT RTSA 117 HH	45,00
CZ	IT RTSA 117 CZ	45,00

Scarico click-clack universale con inserto per sempre aperto
 Universal up/down pop-up waste with adaptor for continuous water flow
 Bonde click-clack universelle avec option écoulement libre
 Universal-Abflussgarnitur Click-Clack mit Verschlussperre



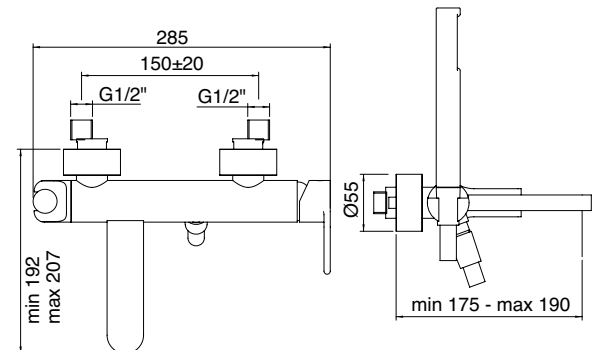
CC	IT 0405 CC ZZ ZZ	88,00
NN	IT 0405 NN ZZ ZZ	177,00
BB	IT 0405 BB ZZ ZZ	177,00
NF	IT 0405 NF ZZ ZZ	167,00
HH	IT 0405 HH ZZ ZZ	136,00
CZ	IT 0405 CZ ZZ ZZ	136,00

Sifone a vista
 Drain-trap
 Siphon
 Siphon für Waschtisch



CC	IT 6200 CC XE ZZ	520,00
NN	IT 6200 NN XE ZZ	691,00
BB	IT 6200 BB XE ZZ	691,00
NF	IT 6200 NF XE ZZ	675,00
HH	IT 6200 HH XE ZZ	799,00
CZ	IT 6200 CZ XE ZZ	799,00

Miscelatore monocomando esterno vasca
 Wall-mtd. bathtub mixer
 Mitigeur bain/douche mural
 AP-Badewannen-Einhandbatterie

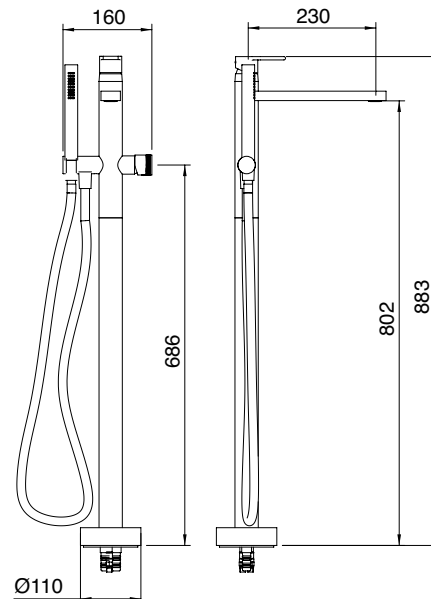




CC	RWIT 6203 CC 10	926,00
NN	RWIT 6203 NN 10	1.315,00
BB	RWIT 6203 BB 10	1.315,00
NF	RWIT 6203 NF 10	1.296,00
HH	RWIT 6203 HH 10	1.591,00
CZ	RWIT 6203 CZ 10	1.591,00

RWIT 5703 ZZ 07 212,00
 +  PARTI INCASSO - CONCEALED BODY
 CORPS À ENCASTRER - UNTERPUTZTEIL


Miscelatore monocomando vasca da terra
 Floor standing bathub mixer
 Mitigeur bain douche sur colonne au sol
 Einhebel - Wannenstandarmatur



 ITRTV116ZZ
  ITRTV174ZZ
  ITRTAE126ZZ
  ITRTAT111ZZ
  RWIT5703ZZ50
  FLEX
  METAL
  20 l/min
  8 l/min
  QR
  P_801

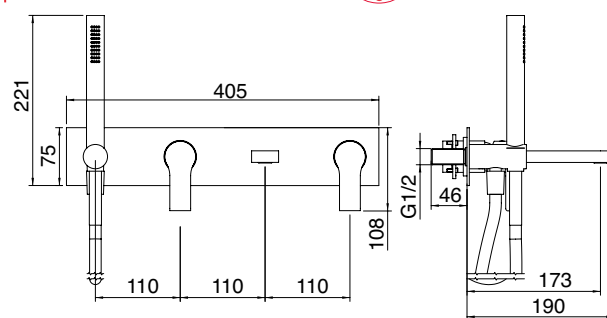


CC	RWIT 62D7 CC 01	502,00
NN	RWIT 62D7 NN 01	712,00
BB	RWIT 62D7 BB 01	712,00
NF	RWIT 62D7 NF 01	702,00
HH	RWIT 62D7 HH 01	862,00
CZ	RWIT 62D7 CZ 01	862,00

RWIT 51D7 ZZ 12 305,00
 +  PARTI INCASSO - CONCEALED BODY
 CORPS À ENCASTRER - UNTERPUTZTEIL




Miscelatore monocomando vasca/doccia incasso
 Concealed bath/shower mixer
 Mitigeur bain/douche à encastrer
 Wanne / Brause EHM UP



 ITRTV131ZZ
  ITRTAE126ZZ
  ITRTAT111ZZ
  1,5cm RWIT51ASZZ80-z
 3cm RWIT51ASZZ85-z
 5cm RWIT51ASZZ90-z
  FLEX
  METAL
  22 l/min
  8 l/min
  QR
  P_51
  RWIT51D7ZZ50

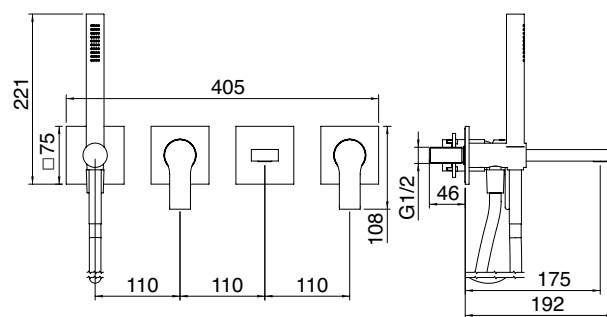


CC	RWIT 62D8 CC 01	596,00
NN	RWIT 62D8 NN 01	846,00
BB	RWIT 62D8 BB 01	846,00
NF	RWIT 62D8 NF 01	834,00
HH	RWIT 62D8 HH 01	1.024,00
CZ	RWIT 62D8 CZ 01	1.024,00

RWIT 51D7 ZZ 12 305,00
 +  PARTI INCASSO - CONCEALED BODY
 CORPS À ENCASTRER - UNTERPUTZTEIL



Miscelatore monocomando vasca/doccia incasso
 Concealed bath/shower mixer
 Mitigeur bain/douche à encastrer
 Wanne / Brause EHM UP



 ITRTV131ZZ
  ITRTAE126ZZ
  ITRTAT111ZZ
  1,5cm RWIT51ASZZ80-z
 3cm RWIT51ASZZ85-z
 5cm RWIT51ASZZ90-z
  FLEX
  METAL
  22 l/min
  8 l/min
  QR
  P_51
  RWIT51D7ZZ50

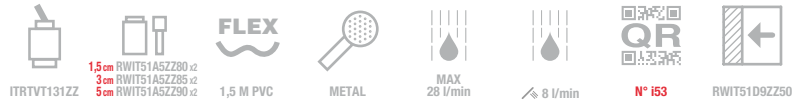
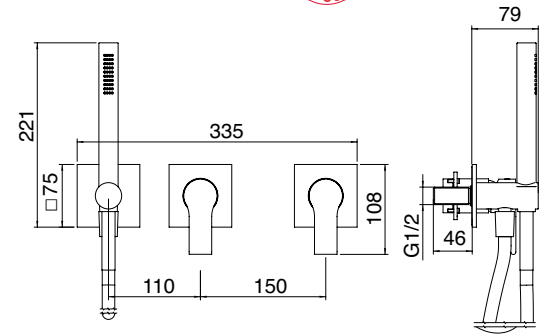


CC	RWIT 62D9 CC 01	463,00
NN	RWIT 62D9 NN 01	657,00
BB	RWIT 62D9 BB 01	657,00
NF	RWIT 62D9 NF 01	647,00
HH	RWIT 62D9 HH 01	795,00
CZ	RWIT 62D9 CZ 01	795,00

RWIT 51D9 ZZ 01 293,00
 + PARTI INCASSO - CONCEALED BODY
 CORPS À ENCASTRER - UNTERPUTZTEIL



Miscelatore monocomando vasca/doccia incasso
 Concealed bath/shower mixer
 Mitigeur bain/douche à encastrer
 Wanne / Brause EHM UP

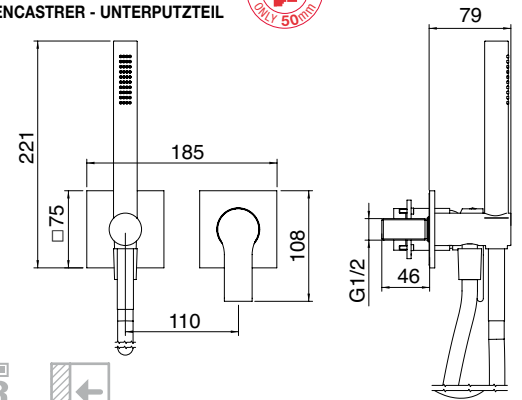


CC	RWIT 62D4 CC 01	323,00
NN	RWIT 62D4 NN 01	457,00
BB	RWIT 62D4 BB 01	457,00
NF	RWIT 62D4 NF 01	451,00
HH	RWIT 62D4 HH 01	554,00
CZ	RWIT 62D4 CZ 01	554,00

RWIT 51A5 ZZ 01 138,00
 + PARTI INCASSO - CONCEALED BODY
 CORPS À ENCASTRER - UNTERPUTZTEIL

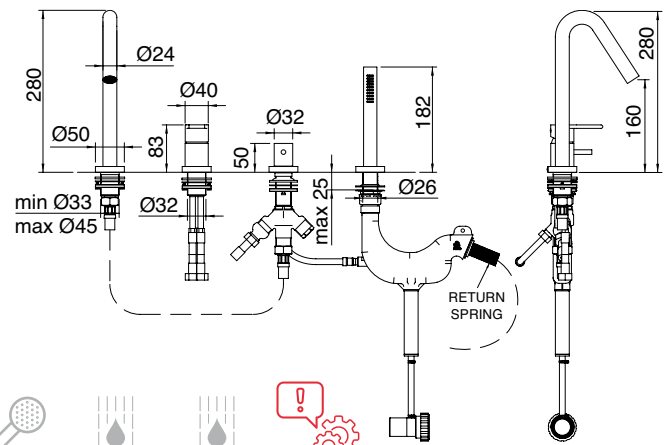


Miscelatore monocomando incasso doccia con doccetta
 Concealed shower mixer with hand-shower
 Mitigeur douche à encastrer avec douchette
 Brause EHM UP mit Handbrause



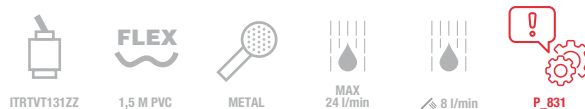
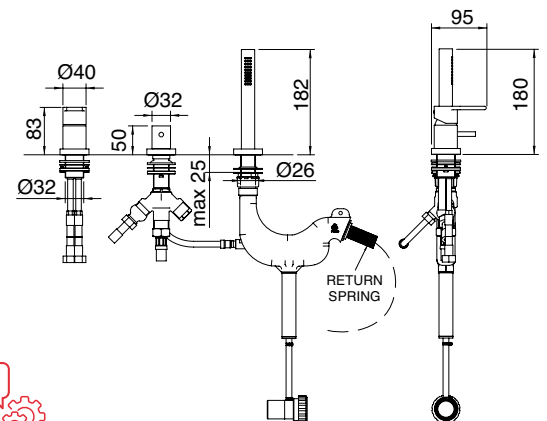
CC	IT 6268 CC XE ZZ	847,00
NN	IT 6268 NN XE ZZ	1.127,00
BB	IT 6268 BB XE ZZ	1.127,00
NF	IT 6268 NF XE ZZ	1.103,00
HH	IT 6268 HH XE ZZ	1.304,00
CZ	IT 6268 CZ XE ZZ	1.304,00

Batteria bordo vasca 4 fori con doccetta estraibile
 4 hole deck-mounted bathtub
 Mitigeur bain/douche 4 trous sur gorge
 Vierloch Wannenrandarmatur



CC	IT 6269 CC XE ZZ	753,00
NN	IT 6269 NN XE ZZ	1.002,00
BB	IT 6269 BB XE ZZ	1.002,00
NF	IT 6269 NF XE ZZ	979,00
HH	IT 6269 HH XE ZZ	1.159,00
CZ	IT 6269 CZ XE ZZ	1.159,00

Batteria bordo vasca con doccetta estraibile senza bocca
 Deck-mounted bathtub without spout
 Mitigeur bain/douche sur gorge sans bec
 Wannenrandarmatur ohne Auslauf





IT 6200 CC XE ZZ

XERO

NANOtech

TIME - TIME_OUT

UP+

PA36

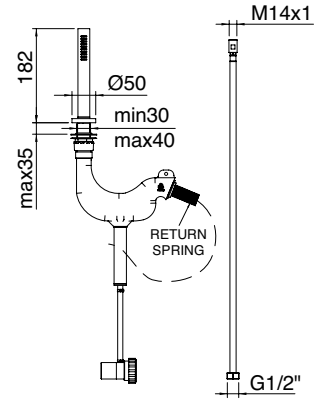
HASK

RAN



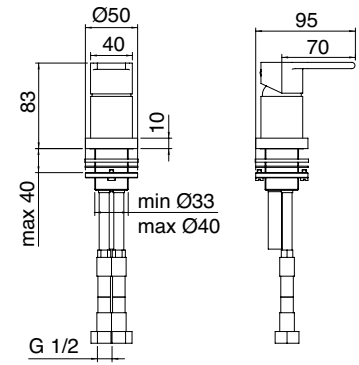
CC	RWIT 2765 CC 25	222,00
NN	RWIT 2765 NN 25	295,00
BB	RWIT 2765 BB 25	295,00
NF	RWIT 2765 NF 25	289,00
HH	RWIT 2765 HH 25	341,00
CZ	RWIT 2765 CZ 25	341,00

Doccetta estraibile bordo vasca
Deck-mounted retractable handshower
Douchette extractible sur gorge
Versenkbare Schlauchbrause



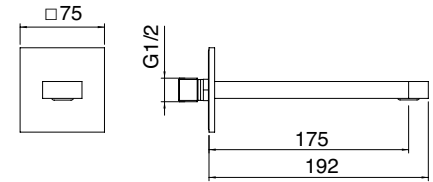
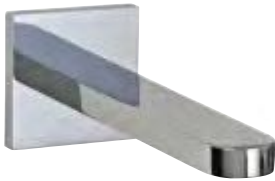
CC	RWIT 6268 CC 10	205,00
NN	RWIT 6268 NN 10	272,00
BB	RWIT 6268 BB 10	272,00
NF	RWIT 6268 NF 10	266,00
HH	RWIT 6268 HH 10	315,00
CZ	RWIT 6268 CZ 10	315,00

Monocomando remoto da piano per vasca
Deck mounted control mixer
Mitigeur lavabo seul sur gorge
Waschtisch Einhebelmischer für separaten Auslauf



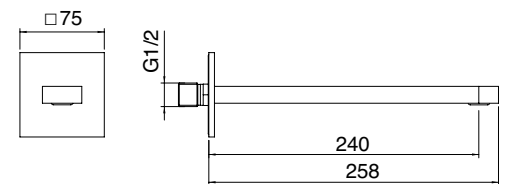
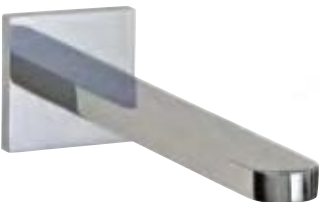
CC	IT 2763 CC ZZ HF	128,00
NN	IT 2763 NN ZZ HF	170,00
BB	IT 2763 BB ZZ HF	170,00
NF	IT 2763 NF ZZ HF	166,00
HH	IT 2763 HH ZZ HF	197,00
CZ	IT 2763 CZ ZZ HF	197,00

Bocca a muro per vasca 178
Wall-mtd. spout for bathtub 178
Bec mural pour baignoire 178
Wandauslauf für Badewannen 178



CC	IT 2761 CC ZZ HF	150,00
NN	IT 2761 NN ZZ HF	198,00
BB	IT 2761 BB ZZ HF	198,00
NF	IT 2761 NF ZZ HF	194,00
HH	IT 2761 HH ZZ HF	230,00
CZ	IT 2761 CZ ZZ HF	230,00

Bocca a muro per vasca 243
Wall-mtd. spout for bathtub 243
Bec mural pour baignoire 243
Wandauslauf für Badewannen 243



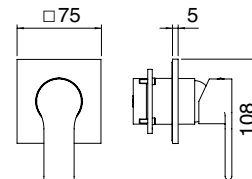


CC	RWIT 62C8 CC 01	142,00
NN	RWIT 62C8 NN 01	200,00
BB	RWIT 62C8 BB 01	200,00
NF	RWIT 62C8 NF 01	198,00
HH	RWIT 62C8 HH 01	243,00
CZ	RWIT 62C8 CZ 01	243,00

RWIT 51A8 ZZ 03 128,00
 + PARTI INCASSO - CONCEALED BODY
 CORPS À ENCASTRER - UNTERPUTZTEIL



Monocomando remoto lavabo/doccia incasso
 Concealed washbasin/shower mixer
 Mitigeur lavabo/douche à encastrer
 UP-Waschtisch/Dusche Mischer

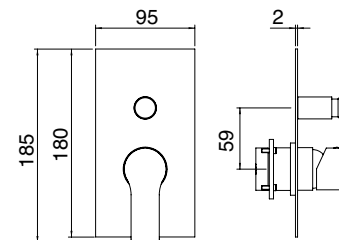


CC	RWIT 62B1 CC 01	155,00
NN	RWIT 62B1 NN 01	220,00
BB	RWIT 62B1 BB 01	220,00
NF	RWIT 62B1 NF 01	217,00
HH	RWIT 62B1 HH 01	266,00
CZ	RWIT 62B1 CZ 01	266,00

RWIT 51B1 ZZ 03 160,00
 + PARTI INCASSO - CONCEALED BODY
 CORPS À ENCASTRER - UNTERPUTZTEIL



Miscelatore monocomando vasca/doccia incasso
 Concealed bath/shower mixer with diverter
 Mitigeur bain/douche à encastrer avec inverseur
 UP Wanne/Brause Einhebelmischer

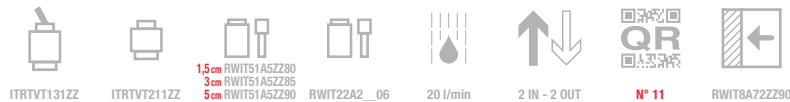
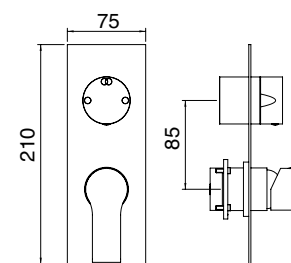


CC	RWIT 62A2 CC 01	271,00
NN	RWIT 62A2 NN 01	386,00
BB	RWIT 62A2 BB 01	386,00
NF	RWIT 62A2 NF 01	381,00
HH	RWIT 62A2 HH 01	467,00
CZ	RWIT 62A2 CZ 01	467,00

RWIT 22A2 ZZ 01 237,00
 + PARTI INCASSO - CONCEALED BODY
 CORPS À ENCASTRER - UNTERPUTZTEIL



Miscelatore monocomando con deviatore 2 uscite
 Concealed mixer with 2 ways diverter
 Mitigeur à encastrer avec inverseur à 2 sorties
 EHM UP mit 2 Wege Umsteller

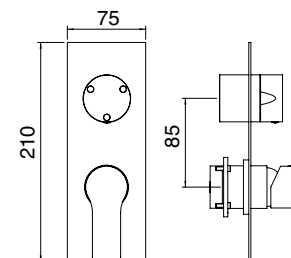



CC	RWIT 62A3 CC 01	299,00
NN	RWIT 62A3 NN 01	424,00
BB	RWIT 62A3 BB 01	424,00
NF	RWIT 62A3 NF 01	419,00
HH	RWIT 62A3 HH 01	513,00
CZ	RWIT 62A3 CZ 01	513,00

RWIT 22A2 ZZ 01 237,00
 + PARTI INCASSO - CONCEALED BODY
 CORPS À ENCASTRER - UNTERPUTZTEIL



Miscelatore monocomando con deviatore 3 uscite
 Concealed mixer with 3 ways diverter
 Mitigeur à encastrer avec inverseur à 3 sorties
 EHM UP mit 3 Wege Umsteller



→  ← = RWIT **62E2** __ 01

→  ← = RWIT **62E3** __ 01

RAN

HASK

PA36

UP+

TIME - TIME_OUT

NANOtech

XERO

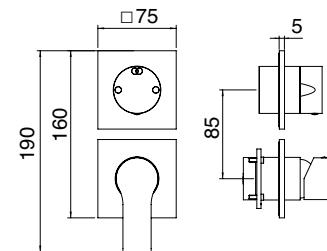


- CC RWIT 62C2 CC 01 299,00
- NN RWIT 62C2 NN 01 424,00
- BB RWIT 62C2 BB 01 424,00
- NF RWIT 62C2 NF 01 419,00
- HH RWIT 62C2 HH 01 513,00
- CZ RWIT 62C2 CZ 01 513,00

- RWIT 22A2 ZZ 01 237,00**
- + PARTI INCASSO - CONCEALED BODY**
- CORPS À ENCASTRER - UNTERPUTZTEIL**



Miscelatore monocomando con deviatore 2 uscite
 Concealed mixer with 2 ways diverter
 Mitigeur à encastrer avec inverseur à 2 sorties
 EHM UP mit 2 Wege Umsteller

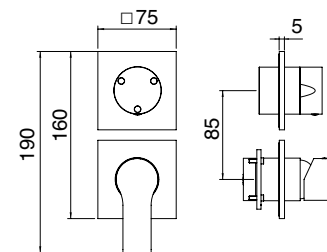


- CC RWIT 62C3 CC 01 329,00
- NN RWIT 62C3 NN 01 466,00
- BB RWIT 62C3 BB 01 466,00
- NF RWIT 62C3 NF 01 460,00
- HH RWIT 62C3 HH 01 565,00
- CZ RWIT 62C3 CZ 01 565,00

- RWIT 22A2 ZZ 01 237,00**
- + PARTI INCASSO - CONCEALED BODY**
- CORPS À ENCASTRER - UNTERPUTZTEIL**



Miscelatore monocomando con deviatore 3 uscite
 Concealed mixer with 3 ways diverter
 Mitigeur à encastrer avec inverseur à 3 sorties
 EHM UP mit 3 Wege Umsteller

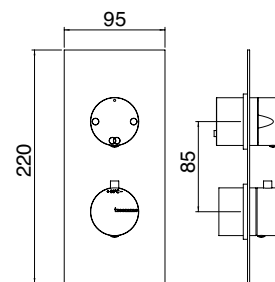


- CC RWIT 8A46 CC 03 230,00
- NN RWIT 8A46 NN 03 327,00
- BB RWIT 8A46 BB 03 327,00
- NF RWIT 8A46 NF 03 323,00
- HH RWIT 8A46 HH 03 396,00
- CZ RWIT 8A46 CZ 03 396,00

- RWIT 8A46 ZZ 20 309,00**
- + PARTI INCASSO - CONCEALED BODY**
- CORPS À ENCASTRER - UNTERPUTZTEIL**



Termostatico incasso con deviatore 2 uscite
 Concealed thermostatic with 2 ways diverter
 Thermostatique à encastrer avec inverseur à 2 sorties
 UP-Thermostat mit 2 Wege Umsteller

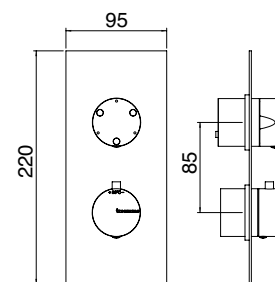


- CC RWIT 8A72 CC 03 277,00
- NN RWIT 8A72 NN 03 393,00
- BB RWIT 8A72 BB 03 393,00
- NF RWIT 8A72 NF 03 388,00
- HH RWIT 8A72 HH 03 475,00
- CZ RWIT 8A72 CZ 03 475,00

- RWIT 8A46 ZZ 20 309,00**
- + PARTI INCASSO - CONCEALED BODY**
- CORPS À ENCASTRER - UNTERPUTZTEIL**



Termostatico incasso con deviatore 3 uscite
 Concealed thermostatic with 3 ways diverter
 Thermostatique à encastrer avec inverseur à 3 sorties
 UP-Thermostat mit 3 Wege Umsteller



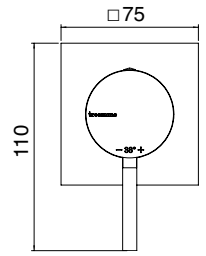
CC	RWIT 7582 CC 04	176,00
NN	RWIT 7582 NN 04	234,00
BB	RWIT 7582 BB 04	234,00
NF	RWIT 7582 NF 04	228,00
HH	RWIT 7582 HH 04	270,00
CZ	RWIT 7582 CZ 04	270,00

RWIT 7582 CC 02	142,00
RWIT 7582 NN 02	189,00
RWIT 7582 BB 02	189,00
RWIT 7582 NF 02	185,00
RWIT 7582 HH 02	219,00
RWIT 7582 CZ 02	219,00



Termostatico incasso COAX
 Concealed thermostatic COAX
 Thermostatique à encastrer COAX
 UP-Thermostat COAX

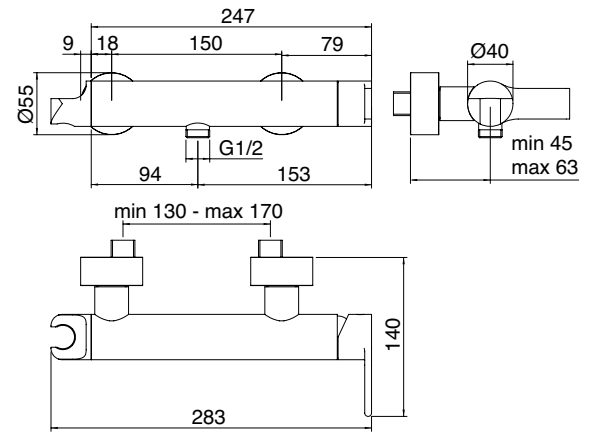
PARTI INCASSO - CONCEALED BODY
CORPS À ENCASTRER - UNTERPUTZTEIL



CC	IT 6256 CC XE ZZ	304,00
NN	IT 6256 NN XE ZZ	404,00
BB	IT 6256 BB XE ZZ	404,00
NF	IT 6256 NF XE ZZ	396,00
HH	IT 6256 HH XE ZZ	468,00
CZ	IT 6256 CZ XE ZZ	468,00



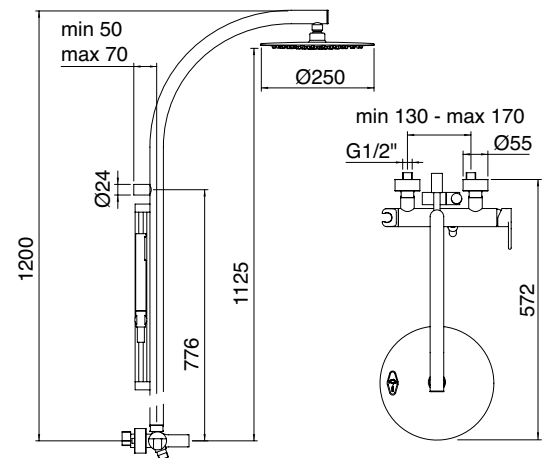
Miscelatore monocomando esterno doccia
 Wall-mtd. shower mixer
 Mitigeur douche mural
 AP-Brause-Einhandbatterie



CC	IT 6260 CC XE ZZ	1.029,00
NN	IT 6260 NN XE ZZ	1.367,00
BB	IT 6260 BB XE ZZ	1.367,00
NF	IT 6260 NF XE ZZ	1.336,00
HH	IT 6260 HH XE ZZ	1.583,00
CZ	IT 6260 CZ XE ZZ	1.583,00

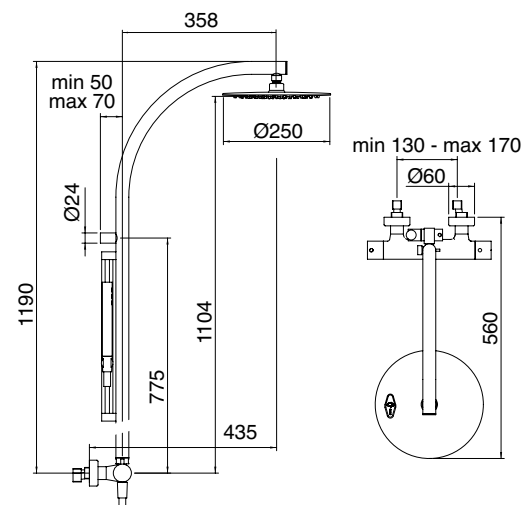


Gruppo doccia con doccetta e soffione anticalcare
 Wall-mtd. shower set, anti-limescale
 hand-shower and shower head
 Mitigeur douche mural, douchette et tête
 de douche anticalcaire
 Regenbrause-Set, Antikalk Handbrause
 und Kopfbrause



CC	IT 6523 CC VL ZZ	1.332,00
NN	IT 6523 NN VL ZZ	1.772,00
BB	IT 6523 BB VL ZZ	1.772,00
NF	IT 6523 NF VL ZZ	1.732,00
HH	IT 6523 HH VL ZZ	2.051,00
CZ	IT 6523 CZ VL ZZ	2.051,00

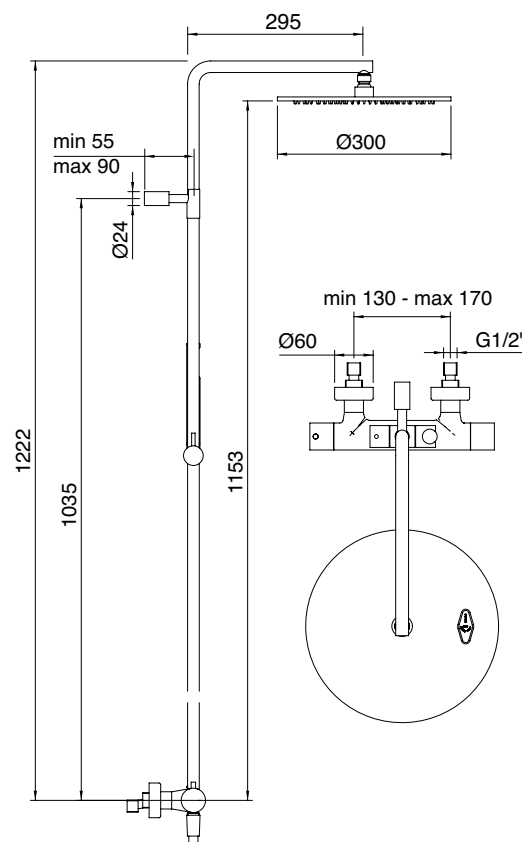
Gruppo doccia termostatico con doccetta e soffione anticalcare
 Wall-mtd. thermostatic shower set with anti-limescale hand-shower and shower head
 Mitigeur thermostatique mural, douchette et tête de douche anticalcaire
 Regenbrause-Set mit Thermostat-Armatur, Antikalk Handbrause und Kopfbrause



ITRTVT148ZZ METAL 300 mm 1,5 M PVC METAL DIVERTER 3/4 M N° 67 12 l/min 8 l/min

CC	IT 6581 CC ZZ ZZ	887,00
NN	IT 6581 NN ZZ ZZ	1.216,00
BB	IT 6581 BB ZZ ZZ	1.216,00
NF	IT 6581 NF ZZ ZZ	1.193,00
HH	IT 6581 HH ZZ ZZ	1.366,00
CZ	IT 6581 CZ ZZ ZZ	1.366,00

Gruppo doccia termostatico con doccetta e soffione anticalcare
 Wall-mtd. thermostatic shower set with anti-limescale hand-shower and shower head
 Mitigeur thermostatique mural, douchette et tête de douche anticalcaire
 Regenbrause-Set mit Thermostat-Armatur, Antikalk Handbrause und Kopfbrause

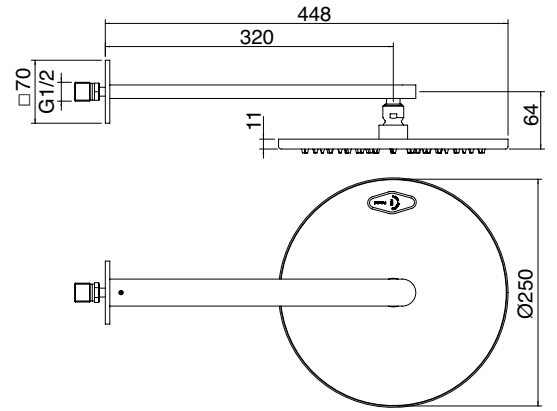


ITRTVT148ZZ ITRTVT172ZZ METAL 300 mm 1,5 M PVC METAL N° 67 9 l/min 8 l/min P_660



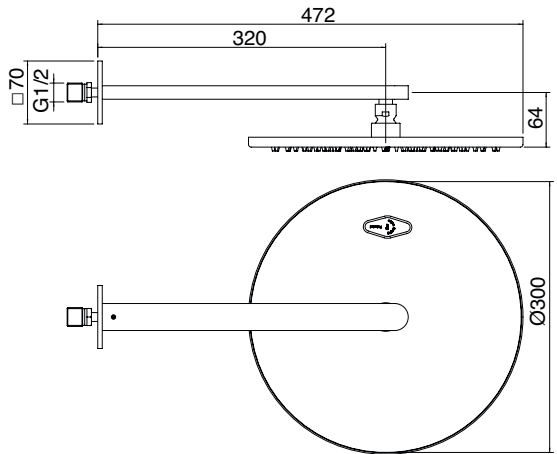
CC	RWIT 2707 CC 01	387,00
NN	RWIT 2707 NN 01	514,00
BB	RWIT 2707 BB 01	514,00
NF	RWIT 2707 NF 01	503,00
HH	RWIT 2707 HH 01	595,00
CZ	RWIT 2707 CZ 01	595,00

Soffione a parete anticalcare
 Anti-limescale shower-head
 Douche de tête anticalcaire avec bras mural
 Antikalk Kopfbrause mit Arm



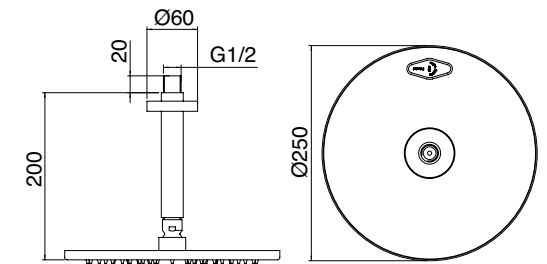
CC	RWIT 6207 CC 01	466,00
NN	RWIT 6207 NN 01	620,00
BB	RWIT 6207 BB 01	620,00
NF	RWIT 6207 NF 01	606,00
HH	RWIT 6207 HH 01	717,00
CZ	RWIT 6207 CZ 01	717,00

Soffione a parete anticalcare
 Anti-limescale shower-head
 Douche de tête anticalcaire avec bras mural
 Antikalk Kopfbrause mit Arm



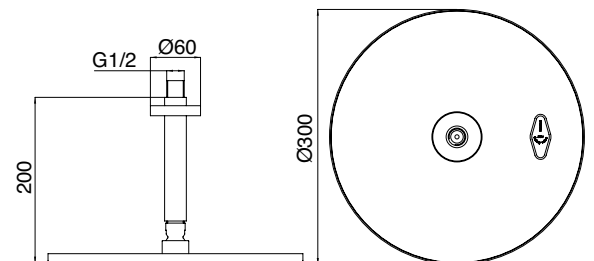
CC	IT 6587 CC ZZ VS	292,00
NN	IT 6587 NN ZZ VS	388,00
BB	IT 6587 BB ZZ VS	388,00
NF	IT 6587 NF ZZ VS	380,00
HH	IT 6587 HH ZZ VS	449,00
CZ	IT 6587 CZ ZZ VS	449,00

Soffione a soffitto anticalcare
 Ceiling anti-limescale shower-head
 Douche de tête anticalcaire avec bras au plafond
 Antikalk Regenbrause mit Deckenanbindung



CC	IT 6511 CC ZZ VS	347,00
NN	IT 6511 NN ZZ VS	462,00
BB	IT 6511 BB ZZ VS	462,00
NF	IT 6511 NF ZZ VS	451,00
HH	IT 6511 HH ZZ VS	535,00
CZ	IT 6511 CZ ZZ VS	535,00

Soffione a soffitto anticalcare
 Ceiling anti-limescale shower-head
 Douche de tête anticalcaire avec bras au plafond
 Antikalk Regenbrause mit Deckenanbindung





IT 6260 CC XE ZZ

XERO

NANOtech

TIME - TIME_OUT

UP+

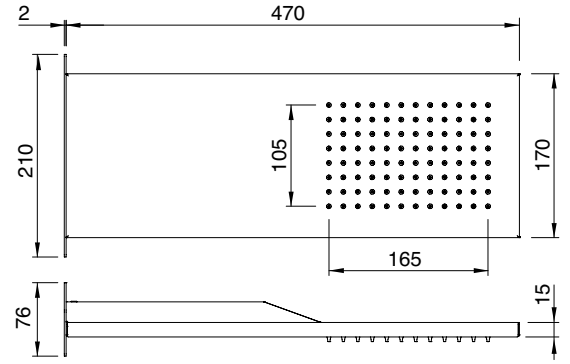
PA36

HASK

RAN

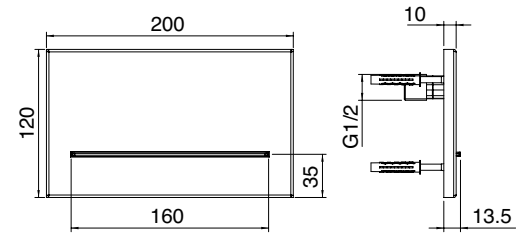
CC	IT RTBR 382 CC	482,00
NN	IT RTBR 382 NN	640,00
BB	IT RTBR 382 BB	640,00
NF	IT RTBR 382 NF	626,00
HH	IT RTBR 382 HH	740,00
CZ	IT RTBR 382 CZ	740,00

Soffione a parete
Shower-head
Douche
Regenbrause



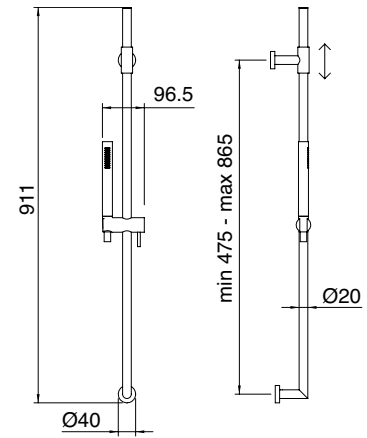
CC	RWIT 6573 CC 05	536,00
NN	RWIT 6573 NN 05	713,00
BB	RWIT 6573 BB 05	713,00
NF	RWIT 6573 NF 05	697,00
HH	RWIT 6573 HH 05	826,00
CZ	RWIT 6573 CZ 05	826,00

Bocca ad incasso
Concealed spout
Bec à encastrer
UP-Einlauf



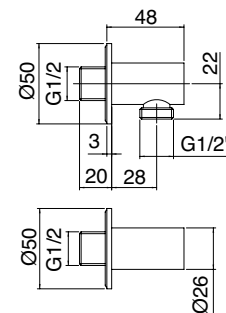
CC	IT 6529 CC ZZ ZZ	223,00
NN	IT 6529 NN ZZ ZZ	319,00
BB	IT 6529 BB ZZ ZZ	319,00
NF	IT 6529 NF ZZ ZZ	315,00
HH	IT 6529 HH ZZ ZZ	343,00
CZ	IT 6529 CZ ZZ ZZ	343,00

Kit saliscendi senza presa acqua
Sliding-bar kit without wall hose outlet
Barre coulissante sans coude mural
Gleitstange ohne Wandanschlussbogen



CC	IT RTGA 123 CC	25,00
NN	IT RTGA 123 NN	39,00
BB	IT RTGA 123 BB	39,00
NF	IT RTGA 123 NF	49,00
HH	IT RTGA 123 HH	27,00
CZ	IT RTGA 123 CZ	27,00

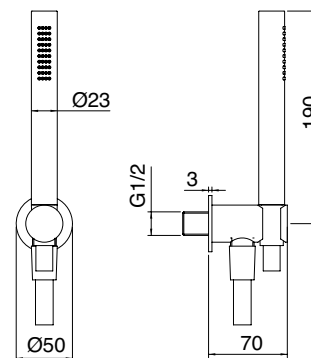
Presa acqua a muro
Wall hose outlet
Coude mural
Wandanschlussbogen





CC	RWIT 2705 CC 74	123,00
NN	RWIT 2705 NN 74	189,00
BB	RWIT 2705 BB 74	189,00
NF	RWIT 2705 NF 74	184,00
HH	RWIT 2705 HH 74	189,00
CZ	RWIT 2705 CZ 74	189,00

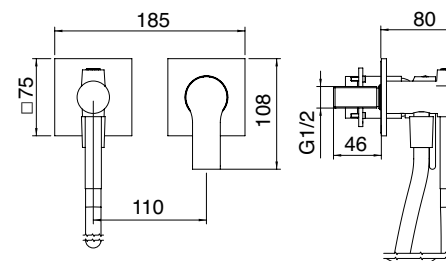
Kit gancio, flessibile, doccia
 Hook, flexible and hand shower kit
 Kit support, flexible et douche
 Brausehalter, Schlauch und Handbrau



CC	RWIT 62D4 CC 05	299,00
NN	RWIT 62D4 NN 05	424,00
BB	RWIT 62D4 BB 05	424,00
NF	RWIT 62D4 NF 05	418,00
HH	RWIT 62D4 HH 05	513,00
CZ	RWIT 62D4 CZ 05	513,00

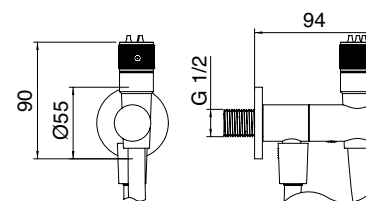
Miscelatore incasso con doccia per WC
 Concealed mixer with wc hand shower
 Mitigeur à encastrer avec douche WC
 U-P Mischer mit WC Handbrause

RWIT 51A5 ZZ 01 138,00
 + PARTI INCASSO - CONCEALED BODY
 CORPS À ENCASTRER - UNTERPUTZTEIL

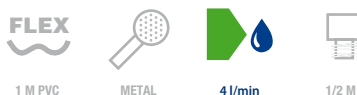
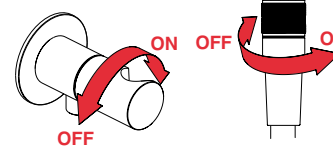


CC	RWIT 6565 CC 05	273,00
NN	RWIT 6565 NN 05	364,00
BB	RWIT 6565 BB 05	364,00
NF	RWIT 6565 NF 05	356,00
HH	RWIT 6565 HH 05	422,00
CZ	RWIT 6565 CZ 05	422,00

Idroscopino per WC
 WC hand shower set
 Douche pour WC
 Handbrause Set für WC



INSTRUCTION FOR USE



Per ulteriori composizioni doccia vedi sezione SHOWERS & THERMOSTATICS

For other shower fittings check the SHOWERS & THERMOSTATICS section

Pour d'autres solutions douche voir section SHOWERS & THERMOSTATICS

Für weitere duschaustattungen siehe abschnitt SHOWERS & THERMOSTATICS

Bamboo

design by phicubo
alessandra bertini _ gianluca belli

chrome **CC**

matt black **NN**

matt white **BB**

brushed nickel **NF**

polished black chrome **HH**

brushed black chrome **CZ**



Bamboo

RAN

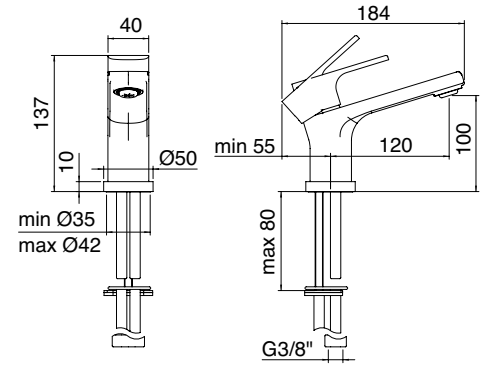
HASK

PA36



CC	IT 5011 CC BM ZZ	144,00
NN	IT 5011 NN BM ZZ	191,00
BB	IT 5011 BB BM ZZ	191,00
NF	IT 5011 NF BM ZZ	187,00
HH	IT 5011 HH BM ZZ	222,00
CZ	IT 5011 CZ BM ZZ	222,00

Miscelatore monocomando lavabo 100
 Washbasin mixer 100
 Mitigeur lavabo 100
 Einhand-Waschtischmischer 100



UP+

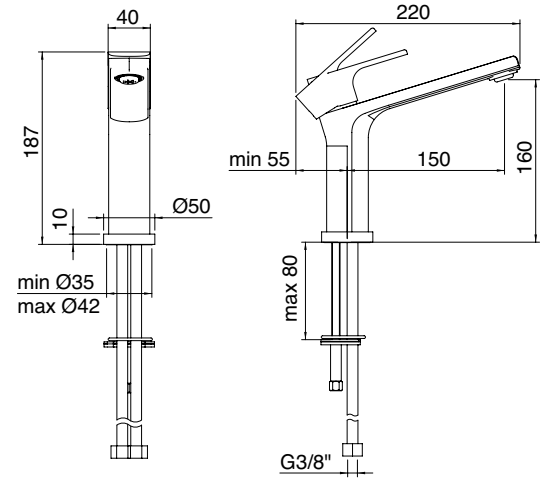
TIME - TIME_OUT

NANOtech



CC	IT 5027 CC BM ZZ	193,00
NN	IT 5027 NN BM ZZ	257,00
BB	IT 5027 BB BM ZZ	257,00
NF	IT 5027 NF BM ZZ	252,00
HH	IT 5027 HH BM ZZ	297,00
CZ	IT 5027 CZ BM ZZ	297,00

Miscelatore monocomando lavabo 160
 Washbasin mixer 160
 Mitigeur lavabo 160
 Einhand-Waschtischmischer 160



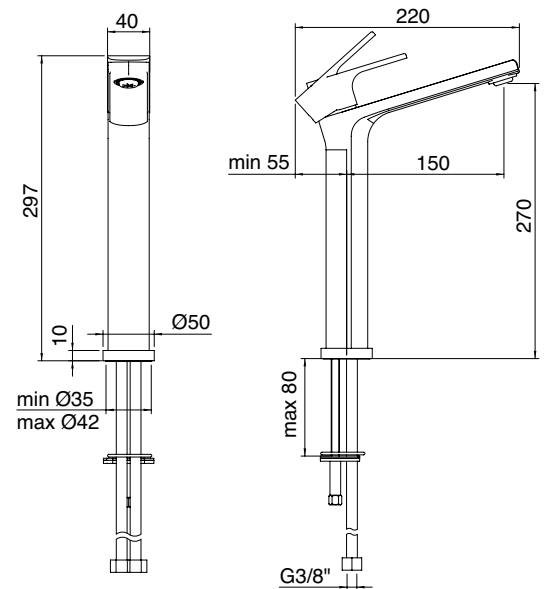
XERO

BAMBOO



CC	IT 5018 CC BM ZZ	251,00
NN	IT 5018 NN BM ZZ	334,00
BB	IT 5018 BB BM ZZ	334,00
NF	IT 5018 NF BM ZZ	326,00
HH	IT 5018 HH BM ZZ	387,00
CZ	IT 5018 CZ BM ZZ	387,00

Miscelatore monocomando lavabo 270
 Washbasin mixer 270
 Mitigeur lavabo 270
 Einhand-Waschtischmischer 270





IT 5018 NN BM ZZ

RAN

HASK

PA36

UP+

TIME - TIME_OUT

NANOTECH

XERO

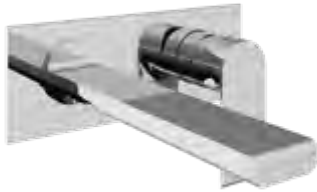
BAMBOO

BAMBOO XERO NANOTECH TIME - TIME_OUT UP+ PA36 HASK RAN

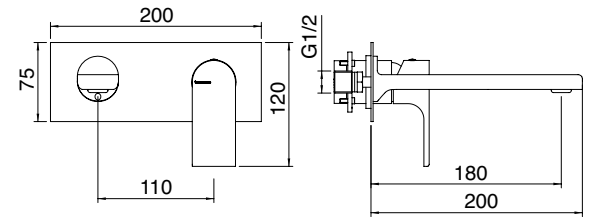


CC	RWIT 50A5 CC 01	229,00
NN	RWIT 50A5 NN 01	326,00
BB	RWIT 50A5 BB 01	326,00
NF	RWIT 50A5 NF 01	321,00
HH	RWIT 50A5 HH 01	394,00
CZ	RWIT 50A5 CZ 01	394,00

RWIT 51A5 ZZ 01 138,00
 +  PARTI INCASSO - CONCEALED BODY
 CORPS À ENCASTRER - UNTERPUTZTEIL

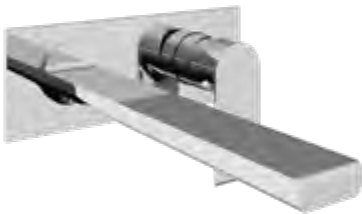


Miscelatore monocomando lavabo incasso 180
 Concealed washbasin mixer 180
 Mitigeur lavabo à encastrer 180
 UP-Einhand-Waschtischmischer 180

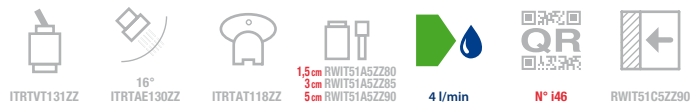
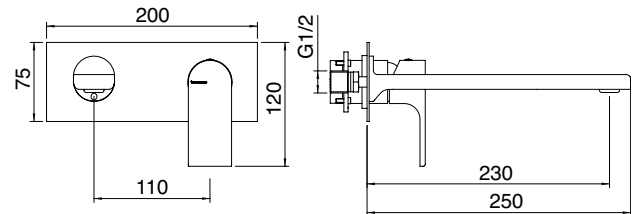


CC	RWIT 50A6 CC 01	255,00
NN	RWIT 50A6 NN 01	363,00
BB	RWIT 50A6 BB 01	363,00
NF	RWIT 50A6 NF 01	357,00
HH	RWIT 50A6 HH 01	439,00
CZ	RWIT 50A6 CZ 01	439,00

RWIT 51A5 ZZ 01 138,00
 +  PARTI INCASSO - CONCEALED BODY
 CORPS À ENCASTRER - UNTERPUTZTEIL

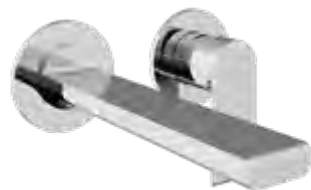


Miscelatore monocomando lavabo incasso 230
 Concealed washbasin mixer 230
 Mitigeur lavabo à encastrer 230
 UP-Einhand-Waschtischmischer 230

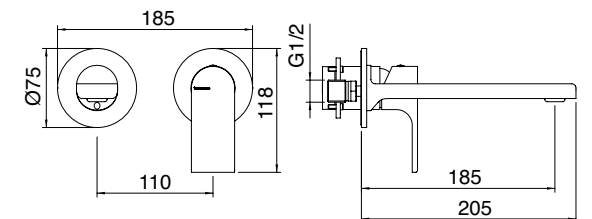


CC	RWIT 50C5 CC 01	279,00
NN	RWIT 50C5 NN 01	397,00
BB	RWIT 50C5 BB 01	397,00
NF	RWIT 50C5 NF 01	391,00
HH	RWIT 50C5 HH 01	480,00
CZ	RWIT 50C5 CZ 01	480,00

RWIT 51A5 ZZ 01 138,00
 +  PARTI INCASSO - CONCEALED BODY
 CORPS À ENCASTRER - UNTERPUTZTEIL



Miscelatore monocomando lavabo incasso 185
 Concealed washbasin mixer 185
 Mitigeur lavabo à encastrer 185
 UP-Einhand-Waschtischmischer 185

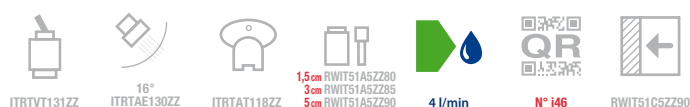
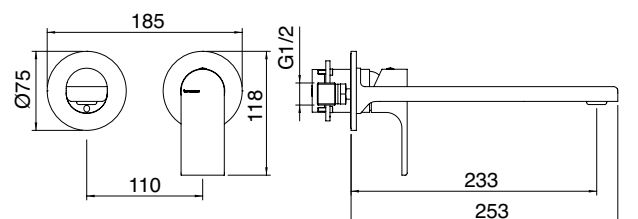


CC	RWIT 50C6 CC 01	305,00
NN	RWIT 50C6 NN 01	434,00
BB	RWIT 50C6 BB 01	434,00
NF	RWIT 50C6 NF 01	427,00
HH	RWIT 50C6 HH 01	525,00
CZ	RWIT 50C6 CZ 01	525,00

RWIT 51A5 ZZ 01 138,00
 +  PARTI INCASSO - CONCEALED BODY
 CORPS À ENCASTRER - UNTERPUTZTEIL



Miscelatore monocomando lavabo incasso 233
 Concealed washbasin mixer 233
 Mitigeur lavabo à encastrer 233
 UP-Einhand-Waschtischmischer 233



Bamboo

RAN

HASK

PA36

UP+

TIME - TIME_OUT

NANOtech

XERO

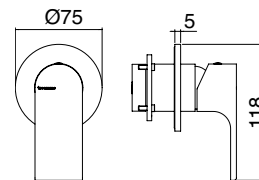
BAMBOO

CC	RWIT 50C8 CC 01	149,00
NN	RWIT 50C8 NN 01	212,00
BB	RWIT 50C8 BB 01	212,00
NF	RWIT 50C8 NF 01	209,00
HH	RWIT 50C8 HH 01	257,00
CZ	RWIT 50C8 CZ 01	257,00

RWIT 51A8 ZZ 03 128,00
+ PARTI INCASSO - CONCEALED BODY
CORPS À ENCASTRER - UNTERPUTZTEIL

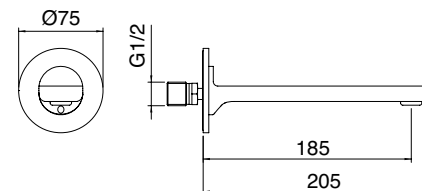


Monocomando remoto lavabo/doccia incasso
 Concealed washbasin/shower mixer
 Mitigeur lavabo/douche à encastrer
 UP-Waschtisch/Dusche Mischer



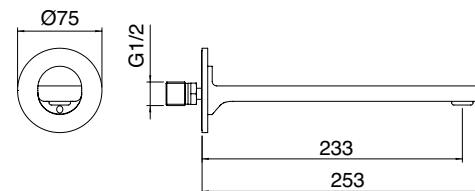
CC	IT 5063 CC ZZ ZZ	135,00
NN	IT 5063 NN ZZ ZZ	180,00
BB	IT 5063 BB ZZ ZZ	180,00
NF	IT 5063 NF ZZ ZZ	176,00
HH	IT 5063 HH ZZ ZZ	208,00
CZ	IT 5063 CZ ZZ ZZ	208,00

Bocca a muro 185
 Wall-mtd spout 185
 Bec mural 185
 Wandauslauf 185



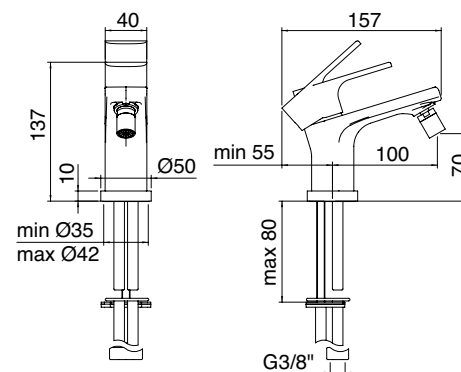
CC	IT 5061 CC ZZ ZZ	160,00
NN	IT 5061 NN ZZ ZZ	213,00
BB	IT 5061 BB ZZ ZZ	213,00
NF	IT 5061 NF ZZ ZZ	208,00
HH	IT 5061 HH ZZ ZZ	247,00
CZ	IT 5061 CZ ZZ ZZ	247,00

Bocca a muro 233
 Wall-mtd. spout 233
 Bec mural 233
 Wandauslauf 233



CC	IT 5022 CC BM ZZ	137,00
NN	IT 5022 NN BM ZZ	183,00
BB	IT 5022 BB BM ZZ	183,00
NF	IT 5022 NF BM ZZ	179,00
HH	IT 5022 HH BM ZZ	212,00
CZ	IT 5022 CZ BM ZZ	212,00

Miscelatore monocomando bidet
 Bidet mixer
 Mitigeur bidet
 Einhand-Bidetmischer





IT 5022 CC BM ZZ

BAMBOO

XERO

NANOtech

TIME - TIME_OUT

UP+

PA36

HASK

RAN

Bamboo

RAN

HASK

PA36

UP+

TIME - TIME_OUT

NANOtech

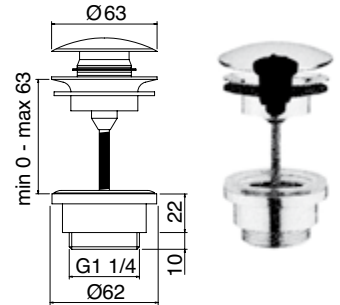
XERO

BAMBOO



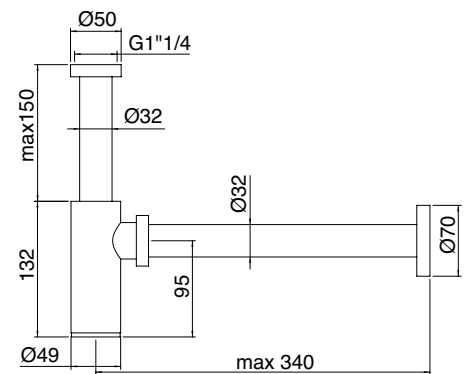
CC	IT RTSA 117 CC	28,00
NN	IT RTSA 117 NN	38,00
BB	IT RTSA 117 BB	38,00
NF	IT RTSA 117 NF	39,00
HH	IT RTSA 117 HH	45,00
CZ	IT RTSA 117 CZ	45,00

Scarico click-clack universale con inserto per sempre aperto
 Universal up/down pop-up waste with adaptor for continuous water flow
 Bonde click-clack universelle avec option écoulement libre
 Universal-Abflussgarnitur Click-Clack mit Verschlussperre



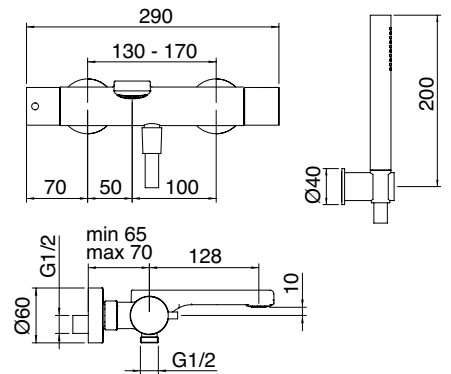
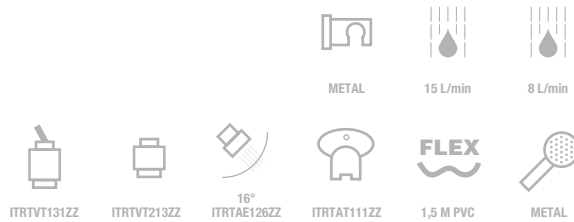
CC	IT 0405 CC ZZ ZZ	88,00
NN	IT 0405 NN ZZ ZZ	177,00
BB	IT 0405 BB ZZ ZZ	177,00
NF	IT 0405 NF ZZ ZZ	167,00
HH	IT 0405 HH ZZ ZZ	136,00
CZ	IT 0405 CZ ZZ ZZ	136,00

Sifone a vista
 Drain-trap
 Siphon
 Siphon für Waschtisch



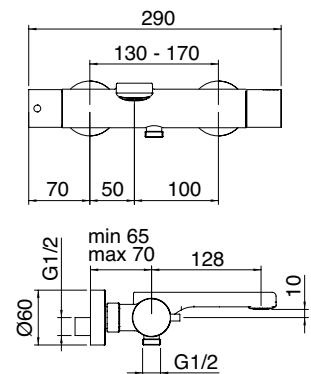
CC	IT 5000 CC BM ZZ	464,00
NN	IT 5000 NN BM ZZ	617,00
BB	IT 5000 BB BM ZZ	617,00
NF	IT 5000 NF BM ZZ	603,00
HH	IT 5000 HH BM ZZ	714,00
CZ	IT 5000 CZ BM ZZ	714,00

Miscelatore monocomando esterno vasca
 Wall-mtd. bathtub mixer
 Mitigeur bain/douche mural
 AP-Badewannen-Einhandbatterie



CC	IT 5050 CC BM ZZ	369,00
NN	IT 5050 NN BM ZZ	525,00
BB	IT 5050 BB BM ZZ	525,00
NF	IT 5050 NF BM ZZ	518,00
HH	IT 5050 HH BM ZZ	635,00
CZ	IT 5050 CZ BM ZZ	635,00

Gruppo esterno vasca senza set doccia
 Wall-mtd. bathtub mixer without shower set
 Mitigeur bain/douche mural sans set de douche
 AP-Badewannen-Einhandbatterie ohne Duschset



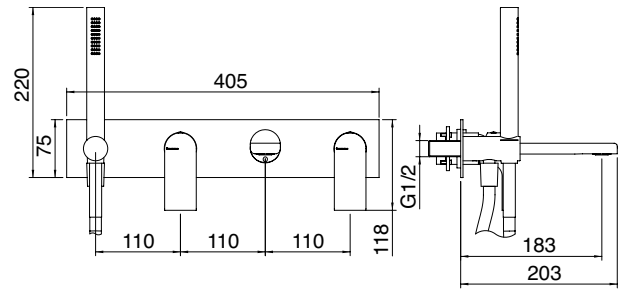


CC	RWIT 50D7 CC 01	525,00
NN	RWIT 50D7 NN 01	746,00
BB	RWIT 50D7 BB 01	746,00
NF	RWIT 50D7 NF 01	735,00
HH	RWIT 50D7 HH 01	903,00
CZ	RWIT 50D7 CZ 01	903,00

RWIT 51D7 ZZ 12 305,00
 + PARTI INCASSO - CONCEALED BODY
 CORPS À ENCASTRER - UNTERPUTZTEIL



Miscelatore monocomando vasca/doccia incasso
 Concealed bath/shower mixer
 Mitigeur bain/douche à encastrer
 Wanne / Brause EHM UP



ITRTV131ZZ
 16°
 ITRTAE126ZZ
 ITRTAT11ZZ
 1,5 cm RWIT51ASZ280 x2
 3 cm RWIT51ASZ285 x2
 5 cm RWIT51ASZ290 x2
 FLEX
 1,5 M PVC
 METAL
 22 l/min
 8 l/min
 QR
 N° i51
 RWIT51D7ZZ50

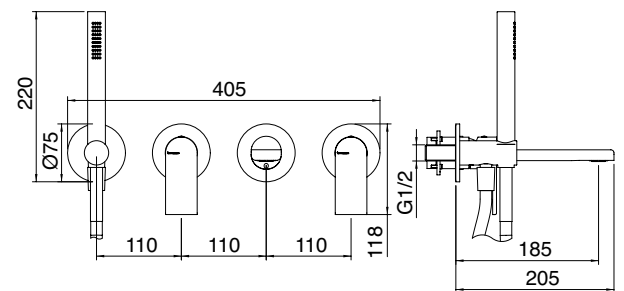


CC	RWIT 50D8 CC 01	619,00
NN	RWIT 50D8 NN 01	879,00
BB	RWIT 50D8 BB 01	879,00
NF	RWIT 50D8 NF 01	867,00
HH	RWIT 50D8 HH 01	1.065,00
CZ	RWIT 50D8 CZ 01	1.065,00

RWIT 51D7 ZZ 12 305,00
 + PARTI INCASSO - CONCEALED BODY
 CORPS À ENCASTRER - UNTERPUTZTEIL



Miscelatore monocomando vasca/doccia incasso
 Concealed bath/shower mixer
 Mitigeur bain/douche à encastrer
 Wanne / Brause EHM UP



ITRTV131ZZ
 16°
 ITRTAE126ZZ
 ITRTAT11ZZ
 1,5 cm RWIT51ASZ280 x2
 3 cm RWIT51ASZ285 x2
 5 cm RWIT51ASZ290 x2
 FLEX
 1,5 M PVC
 METAL
 22 l/min
 8 l/min
 QR
 N° i51
 RWIT51D7ZZ50

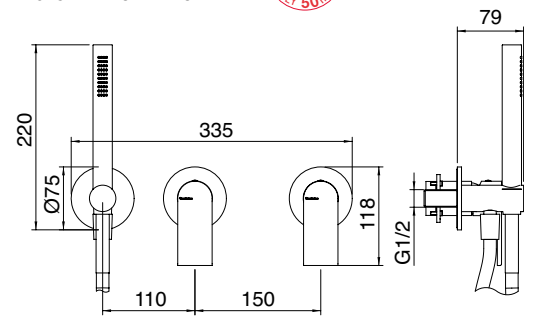


CC	RWIT 50D9 CC 01	475,00
NN	RWIT 50D9 NN 01	675,00
BB	RWIT 50D9 BB 01	675,00
NF	RWIT 50D9 NF 01	665,00
HH	RWIT 50D9 HH 01	817,00
CZ	RWIT 50D9 CZ 01	817,00

RWIT 51D9 ZZ 01 293,00
 + PARTI INCASSO - CONCEALED BODY
 CORPS À ENCASTRER - UNTERPUTZTEIL



Miscelatore monocomando vasca/doccia incasso
 Concealed bath/shower mixer
 Mitigeur bain/douche à encastrer
 Wanne / Brause EHM UP



ITRTV131ZZ
 1,5 cm RWIT51ASZ280 x2
 3 cm RWIT51ASZ285 x2
 5 cm RWIT51ASZ290 x2
 FLEX
 1,5 M PVC
 METAL
 MAX 28 l/min
 8 l/min
 QR
 N° i53
 RWIT51D9ZZ50

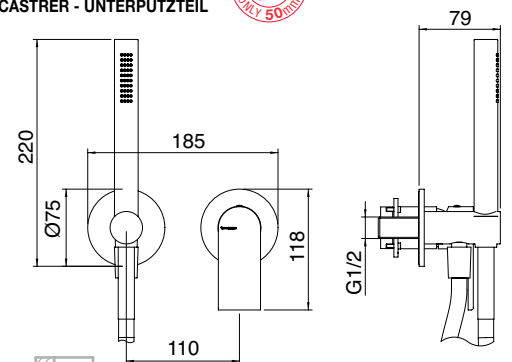


CC	RWIT 50D4 CC 01	326,00
NN	RWIT 50D4 NN 01	463,00
BB	RWIT 50D4 BB 01	463,00
NF	RWIT 50D4 NF 01	457,00
HH	RWIT 50D4 HH 01	561,00
CZ	RWIT 50D4 CZ 01	561,00

RWIT 51A5 ZZ 01 138,00
 + PARTI INCASSO - CONCEALED BODY
 CORPS À ENCASTRER - UNTERPUTZTEIL



Miscelatore monocomando incasso doccia con doccetta
 Concealed shower mixer with hand-shower
 Mitigeur douche à encastrer avec douchette
 Brause EHM UP mit Handbrause



ITRTV131ZZ
 1,5 cm RWIT51ASZ280 x2
 3 cm RWIT51ASZ285 x2
 5 cm RWIT51ASZ290 x2
 FLEX
 1,5 M PVC
 METAL
 8 l/min
 QR
 N° i46
 RWIT51C5ZZ90

Bamboo

RAN

HASK

PA36

UP+

TIME - TIME_OUT

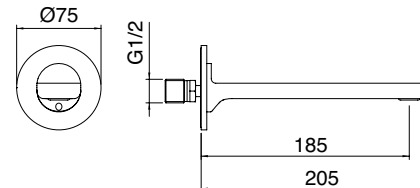
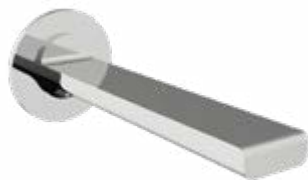
NANOtech

XERO

BAMBOO

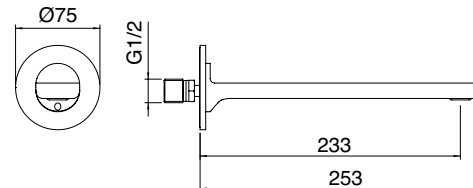
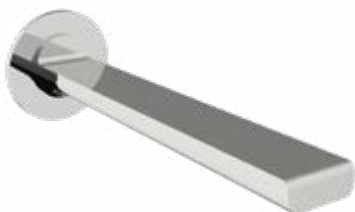
CC	IT 5063 CC ZZ HF	135,00
NN	IT 5063 NN ZZ HF	180,00
BB	IT 5063 BB ZZ HF	180,00
NF	IT 5063 NF ZZ HF	176,00
HH	IT 5063 HH ZZ HF	208,00
CZ	IT 5063 CZ ZZ HF	208,00

Bocca a muro per vasca 185
Wall-mtd. spout for bathtub 185
Bec mural pour baignoire 185
Wandauslauf für Badewannen 185



CC	IT 5061 CC ZZ HF	160,00
NN	IT 5061 NN ZZ HF	213,00
BB	IT 5061 BB ZZ HF	213,00
NF	IT 5061 NF ZZ HF	208,00
HH	IT 5061 HH ZZ HF	247,00
CZ	IT 5061 CZ ZZ HF	247,00


Bocca a muro per vasca 233
Wall-mtd. spout for bathtub 233
Bec mural pour baignoire 233
Wandauslauf für Badewannen 233



CC	RWIT 50C8 CC 01	149,00
NN	RWIT 50C8 NN 01	212,00
BB	RWIT 50C8 BB 01	212,00
NF	RWIT 50C8 NF 01	209,00
HH	RWIT 50C8 HH 01	257,00
CZ	RWIT 50C8 CZ 01	257,00

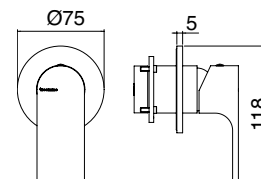
Monocomando remoto lavabo/doccia incasso
Concealed washbasin/shower mixer
Mitigeur lavabo/douche à encastrer
UP-Waschtisch/Dusche Mischer



RWIT 51A8 ZZ 03 128,00
+  PARTI INCASSO - CONCEALED BODY
CORPS À ENCASTRER - UNTERPUTZTEIL




P_790



CC	RWIT 50B1 CC 01	159,00
NN	RWIT 50B1 NN 01	226,00
BB	RWIT 50B1 BB 01	226,00
NF	RWIT 50B1 NF 01	223,00
HH	RWIT 50B1 HH 01	274,00
CZ	RWIT 50B1 CZ 01	274,00

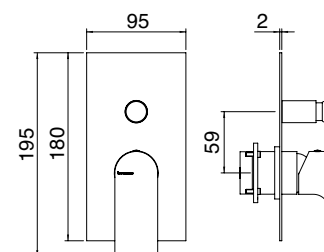
Miscelatore monocomando vasca/doccia incasso
Concealed bath/shower mixer with diverter
Mitigeur bain/douche à encastrer avec inverseur
UP Wanne/Brause Einhebelmischer



RWIT 51B1 ZZ 03 160,00
+  PARTI INCASSO - CONCEALED BODY
CORPS À ENCASTRER - UNTERPUTZTEIL



P_790





IT 5000 CC BM ZZ

BAMBOO

XERO

NANOtech

TIME - TIME_OUT

UP+

PA36

HASK

RAN

Bamboo

RAN

HASK

PA36

UP+

TIME - TIME_OUT

NANOtech

XERO

BAMBOO

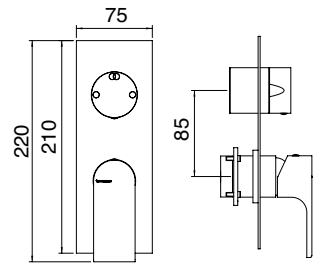


CC	RWIT 50A2 CC 01	279,00
NN	RWIT 50A2 NN 01	397,00
BB	RWIT 50A2 BB 01	397,00
NF	RWIT 50A2 NF 01	391,00
HH	RWIT 50A2 HH 01	480,00
CZ	RWIT 50A2 CZ 01	480,00

RWIT 22A2 ZZ 01 237,00
 + PARTI INCASSO - CONCEALED BODY
 CORPS À ENCASTRER - UNTERPUTZTEIL



Miscelatore monocomando con deviatore 2 uscite
 Concealed mixer with 2 ways diverter
 Mitigeur à encastrer avec inverseur à 2 sorties
 EHM UP mit 2 Wege Umsteller

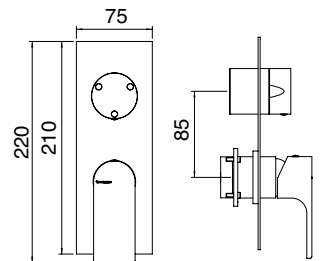


CC	RWIT 50A3 CC 01	299,00
NN	RWIT 50A3 NN 01	425,00
BB	RWIT 50A3 BB 01	425,00
NF	RWIT 50A3 NF 01	419,00
HH	RWIT 50A3 HH 01	515,00
CZ	RWIT 50A3 CZ 01	515,00

RWIT 22A2 ZZ 01 237,00
 + PARTI INCASSO - CONCEALED BODY
 CORPS À ENCASTRER - UNTERPUTZTEIL



Miscelatore monocomando con deviatore 3 uscite
 Concealed mixer with 3 ways diverter
 Mitigeur à encastrer avec inverseur à 3 sorties
 EHM UP mit 3 Wege Umsteller

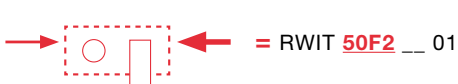
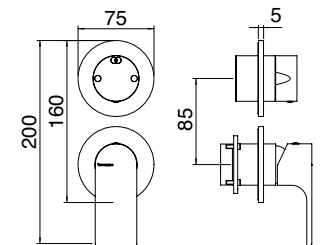


CC	RWIT 50C2 CC 01	299,00
NN	RWIT 50C2 NN 01	425,00
BB	RWIT 50C2 BB 01	425,00
NF	RWIT 50C2 NF 01	419,00
HH	RWIT 50C2 HH 01	515,00
CZ	RWIT 50C2 CZ 01	515,00

RWIT 22A2 ZZ 01 237,00
 + PARTI INCASSO - CONCEALED BODY
 CORPS À ENCASTRER - UNTERPUTZTEIL



Miscelatore monocomando con deviatore 2 uscite
 Concealed mixer with 2 ways diverter
 Mitigeur à encastrer avec inverseur à 2 sorties
 EHM UP mit 2 Wege Umsteller

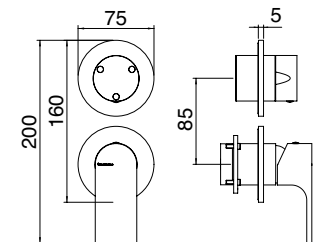


CC	RWIT 50C3 CC 01	329,00
NN	RWIT 50C3 NN 01	468,00
BB	RWIT 50C3 BB 01	468,00
NF	RWIT 50C3 NF 01	461,00
HH	RWIT 50C3 HH 01	566,00
CZ	RWIT 50C3 CZ 01	566,00

RWIT 22A2 ZZ 01 237,00
 + PARTI INCASSO - CONCEALED BODY
 CORPS À ENCASTRER - UNTERPUTZTEIL



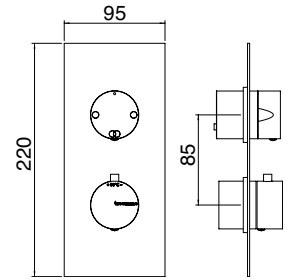
Miscelatore monocomando con deviatore 3 uscite
 Concealed mixer with 3 ways diverter
 Mitigeur à encastrer avec inverseur à 3 sorties
 EHM UP mit 3 Wege Umsteller





CC	RWIT 8A46 CC 03	230,00
NN	RWIT 8A46 NN 03	327,00
BB	RWIT 8A46 BB 03	327,00
NF	RWIT 8A46 NF 03	323,00
HH	RWIT 8A46 HH 03	396,00
CZ	RWIT 8A46 CZ 03	396,00

RWIT 8A46 ZZ 20 309,00
 + PARTI INCASSO - CONCEALED BODY
 CORPS À ENCASTRER - UNTERPUTZTEIL

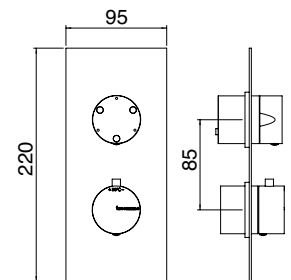


Termostatico incasso con deviatore 2 uscite
 Concealed thermostat with 2 ways diverter
 Thermostatique à encastrer avec inverseur à 2 sorties
 UP-Thermostat mit 2 Wege Umsteller



CC	RWIT 8A72 CC 03	277,00
NN	RWIT 8A72 NN 03	393,00
BB	RWIT 8A72 BB 03	393,00
NF	RWIT 8A72 NF 03	388,00
HH	RWIT 8A72 HH 03	475,00
CZ	RWIT 8A72 CZ 03	475,00

RWIT 8A46 ZZ 20 309,00
 + PARTI INCASSO - CONCEALED BODY
 CORPS À ENCASTRER - UNTERPUTZTEIL



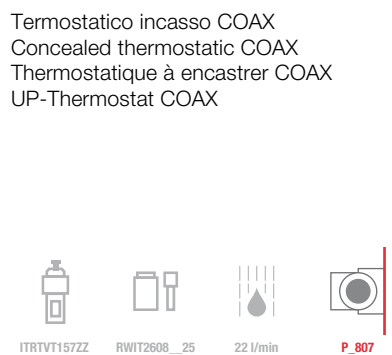
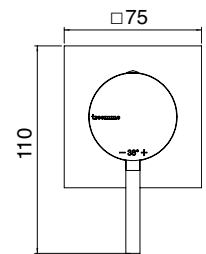
Termostatico incasso con deviatore 3 uscite
 Concealed thermostat with 3 ways diverter
 Thermostatique à encastrer avec inverseur à 3 sorties
 UP-Thermostat mit 3 Wege Umsteller



CC	RWIT 7582 CC 04	176,00
NN	RWIT 7582 NN 04	234,00
BB	RWIT 7582 BB 04	234,00
NF	RWIT 7582 NF 04	228,00
HH	RWIT 7582 HH 04	270,00
CZ	RWIT 7582 CZ 04	270,00

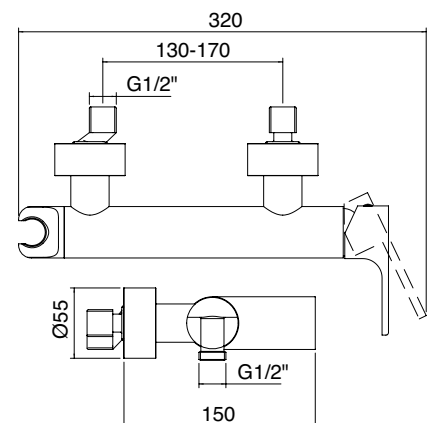
RWIT 7582 CC 02 142,00
RWIT 7582 NN 02 189,00
 + **RWIT 7582 BB 02 189,00**
RWIT 7582 NF 02 185,00
RWIT 7582 HH 02 219,00
RWIT 7582 CZ 02 219,00

PARTI INCASSO - CONCEALED BODY
 CORPS À ENCASTRER - UNTERPUTZTEIL



CC	IT 5056 CC BM ZZ	309,00
NN	IT 5056 NN BM ZZ	411,00
BB	IT 5056 BB BM ZZ	411,00
NF	IT 5056 NF BM ZZ	402,00
HH	IT 5056 HH BM ZZ	476,00
CZ	IT 5056 CZ BM ZZ	476,00

Miscelatore monocomando esterno doccia
 Wall-mtd. shower mixer
 Mitigeur douche mural
 AP-Brause-Einhandbatterie



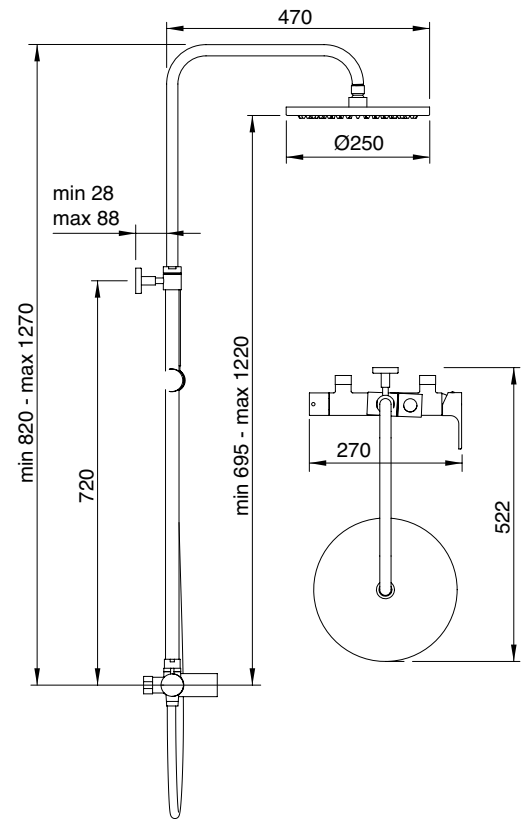
BAMBOO XERO NANOftech TIME - TIME_OUT UP+ PA36 HASK RAN



RWIT 2707 CC 01 + RWIT 50B1 CC 01 + RWIT 2705 CC 74

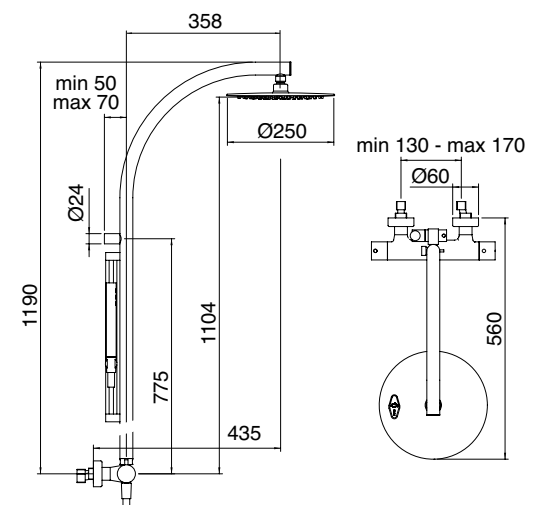
CC	IT 5060 CC BM ZZ	462,00
NN	IT 5060 NN BM ZZ	615,00
BB	IT 5060 BB BM ZZ	963,00
NF	IT 5060 NF BM ZZ	601,00
HH	IT 5060 HH BM ZZ	1.114,00
CZ	IT 5060 CZ BM ZZ	1.114,00

Gruppo doccia con doccetta e soffione anticalcare
 Wall-mtd. shower set, anti-limescale
 hand-shower and shower head
 Mitigeur douche mural, douchette et tête
 de douche anticalcaire
 Regenbrause-Set, Antikalk Handbrause
 und Kopfbrause



CC	IT 6523 CC VL ZZ	1.332,00
NN	IT 6523 NN VL ZZ	1.772,00
BB	IT 6523 BB VL ZZ	1.772,00
NF	IT 6523 NF VL ZZ	1.732,00
HH	IT 6523 HH VL ZZ	2.051,00
CZ	IT 6523 CZ VL ZZ	2.051,00

Gruppo doccia termostatico con doccetta
 e soffione anticalcare
 Wall-mtd. thermostatic shower set with
 anti-limescale hand-shower and shower head
 Mitigeur thermostatique mural, douchette et tête
 de douche anticalcaire
 Regenbrause-Set mit Thermostat-Armatur,
 Antikalk Handbrause und Kopfbrause



RAN
HASK
PA36
UP+
TIME - TIME_OUT
NANOtech
XERO
BAMBOO

Bamboo

RAN

HASK

PA36

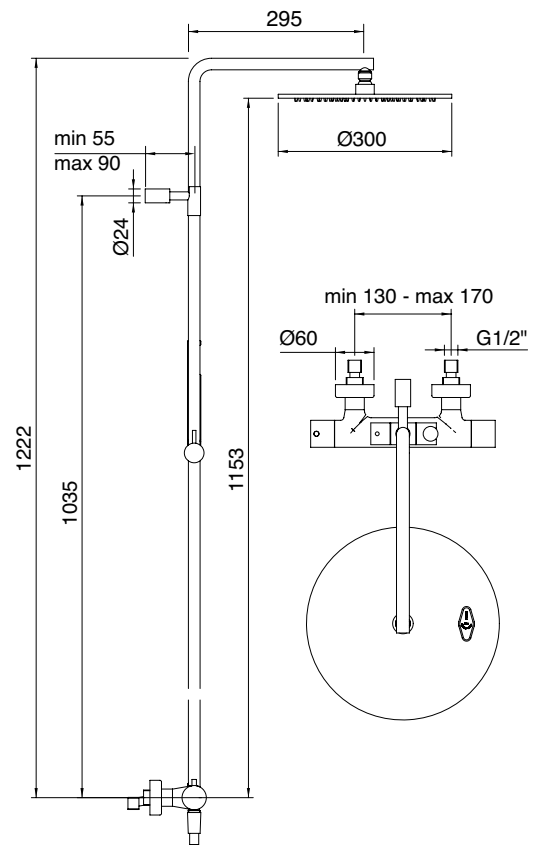
UP+

TIME - TIME_OUT



CC	IT 6581 CC ZZ ZZ	887,00
NN	IT 6581 NN ZZ ZZ	1.216,00
BB	IT 6581 BB ZZ ZZ	1.216,00
NF	IT 6581 NF ZZ ZZ	1.193,00
HH	IT 6581 HH ZZ ZZ	1.366,00
CZ	IT 6581 CZ ZZ ZZ	1.366,00

Gruppo doccia termostatico con doccetta e soffione anticalcare
 Wall-mtd. thermostatic shower set with anti-limescale hand-shower and shower head
 Mitigeur thermostatique mural, douchette et tête de douche anticalcaire
 Regenbrause-Set mit Thermostat-Armatur, Antikalk Handbrause und Kopfbrause



ITRTVT148ZZ
 ITRTVT172ZZ
 METAL 300 mm
 FLEX 1,5 M PVC
 METAL
 QR N° 67
 9 l/min
 8 l/min
 P_660

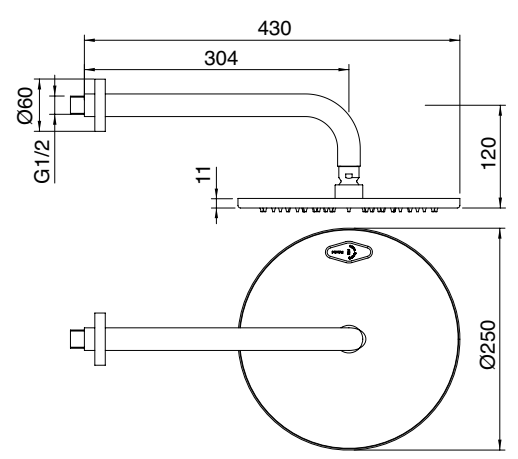
NANOtech

XERO



CC	IT 6586 CC ZZ VS	311,00
NN	IT 6586 NN ZZ VS	414,00
BB	IT 6586 BB ZZ VS	414,00
NF	IT 6586 NF ZZ VS	404,00
HH	IT 6586 HH ZZ VS	478,00
CZ	IT 6586 CZ ZZ VS	478,00

Soffione a parete anticalcare
 Anti-limescale shower-head
 Douche de tête anticalcaire avec bras mural
 Antikalk Kopfbrause mit Arm



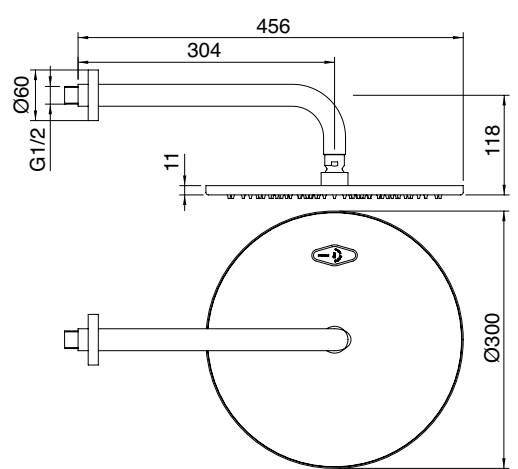
METAL 250 mm
 9 l/min
 1/2 M

BAMBOO



CC	IT 6512 CC ZZ VS	353,00
NN	IT 6512 NN ZZ VS	470,00
BB	IT 6512 BB ZZ VS	470,00
NF	IT 6512 NF ZZ VS	459,00
HH	IT 6512 HH ZZ VS	544,00
CZ	IT 6512 CZ ZZ VS	544,00

Soffione a parete anticalcare
 Anti-limescale shower-head
 Douche de tête anticalcaire avec bras mural
 Antikalk Kopfbrause mit Arm

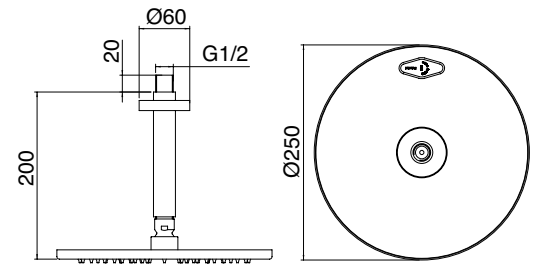


METAL 300 mm
 9 l/min
 1/2 M



CC	IT 6587 CC ZZ VS	292,00
NN	IT 6587 NN ZZ VS	388,00
BB	IT 6587 BB ZZ VS	388,00
NF	IT 6587 NF ZZ VS	380,00
HH	IT 6587 HH ZZ VS	449,00
CZ	IT 6587 CZ ZZ VS	449,00

Soffione a soffitto anticalcare
 Ceiling anti-limescale shower-head
 Douche de tête anticalcaire avec bras au plafond
 Antikalk Regenbrause mit Deckenanbindung

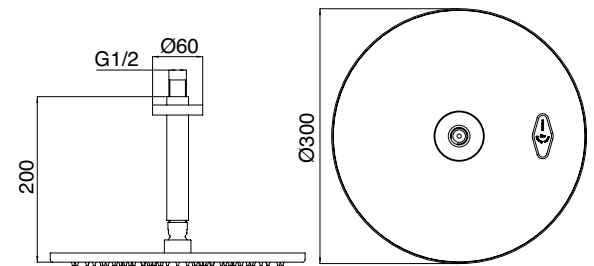


METAL 250 mm 9 l/min



CC	IT 6511 CC ZZ VS	347,00
NN	IT 6511 NN ZZ VS	462,00
BB	IT 6511 BB ZZ VS	462,00
NF	IT 6511 NF ZZ VS	451,00
HH	IT 6511 HH ZZ VS	535,00
CZ	IT 6511 CZ ZZ VS	535,00

Soffione a soffitto anticalcare
 Ceiling anti-limescale shower-head
 Douche de tête anticalcaire avec bras au plafond
 Antikalk Regenbrause mit Deckenanbindung

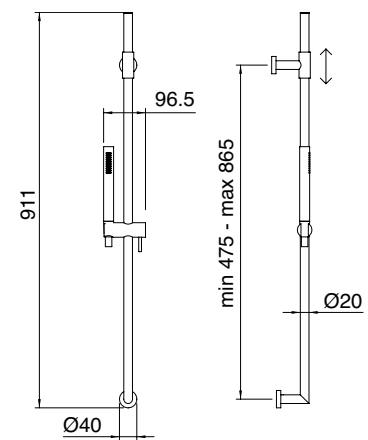


METAL 300 mm 9 l/min



CC	IT 6529 CC ZZ ZZ	223,00
NN	IT 6529 NN ZZ ZZ	319,00
BB	IT 6529 BB ZZ ZZ	319,00
NF	IT 6529 NF ZZ ZZ	315,00
HH	IT 6529 HH ZZ ZZ	343,00
CZ	IT 6529 CZ ZZ ZZ	343,00

Kit saliscendi senza presa acqua
 Sliding-bar kit without wall hose outlet
 Barre coulissante sans coude mural
 Gleitstange ohne Wandanschlussbogen

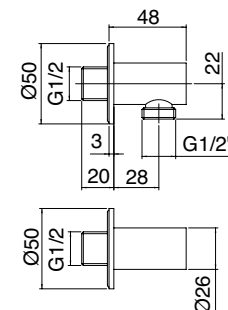


1,5 M PVC METAL 8 l/min



CC	IT RTGA 123 CC	25,00
NN	IT RTGA 123 NN	39,00
BB	IT RTGA 123 BB	39,00
NF	IT RTGA 123 NF	49,00
HH	IT RTGA 123 HH	27,00
CZ	IT RTGA 123 CZ	27,00

Presa acqua a muro
 Wall hose outlet
 Coude mural
 Wandanschlussbogen



1/2 M 1/2 M

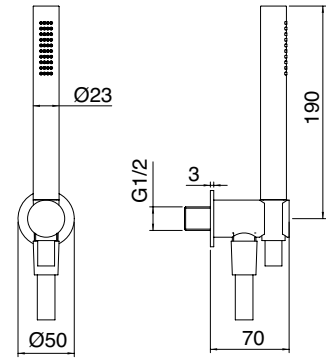
Bamboo

RAN
HASK
PA36
UP+
TIME - TIME_OUT
NANOtech
XERO
BAMBOO



CC	RWIT 2705 CC 74	123,00
NN	RWIT 2705 NN 74	189,00
BB	RWIT 2705 BB 74	189,00
NF	RWIT 2705 NF 74	184,00
HH	RWIT 2705 HH 74	189,00
CZ	RWIT 2705 CZ 74	189,00

Kit gancio, flessibile, doccia
Hook, flexible and hand shower kit
Kit support, flexible et douchette
Brausehalter, Schlauch und Handbrau

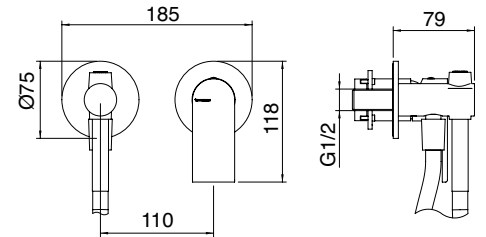


CC	RWIT 50D4 CC 05	350,00
NN	RWIT 50D4 NN 05	497,00
BB	RWIT 50D4 BB 05	497,00
NF	RWIT 50D4 NF 05	490,00
HH	RWIT 50D4 HH 05	602,00
CZ	RWIT 50D4 CZ 05	602,00

Miscelatore incasso con doccia per WC
Concealed mixer with wc hand shower
Mitigeur à encastrer avec douchette WC
U-P Mischer mit WC Handbrause

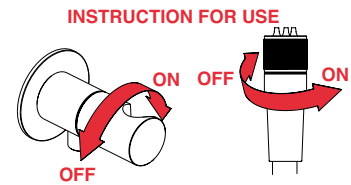
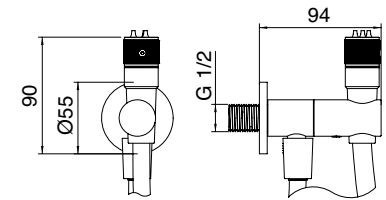
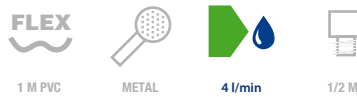


RWIT 51A5 ZZ 01 138,00
+ PARTI INCASSO - CONCEALED BODY
CORPS À ENCASTRER - UNTERPUTZTEIL



CC	RWIT 6565 CC 05	273,00
NN	RWIT 6565 NN 05	364,00
BB	RWIT 6565 BB 05	364,00
NF	RWIT 6565 NF 05	356,00
HH	RWIT 6565 HH 05	422,00
CZ	RWIT 6565 CZ 05	422,00

Idroscopino per WC
WC hand shower set
Douchette pour WC
Handbrause Set für WC



Per ulteriori composizioni doccia vedi sezione SHOWERS & THERMOSTATICS

For other shower fittings check the SHOWERS & THERMOSTATICS section

Pour d'autres solutions douche voir section SHOWERS & THERMOSTATICS

Für weitere duschaustattungen siehe abschnitt SHOWERS & THERMOSTATICS

Line

design by treemme

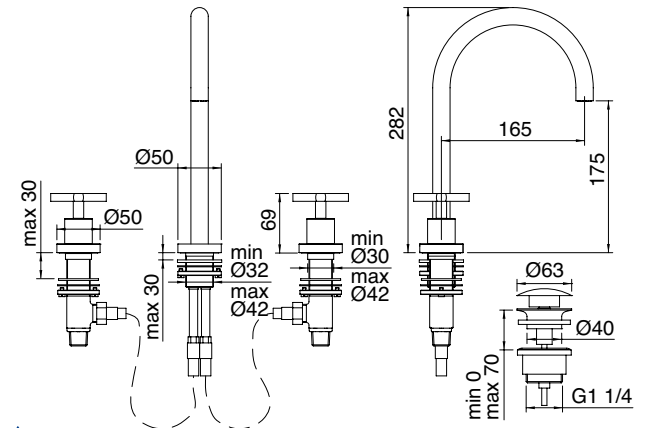
- chrome **CC**
- matt black **NN**
- matt white **BB**
- polished nickel **NL**
- brushed nickel **NF**
- polished black chrome **HH**
- brushed black chrome **CZ**
- oxidized **KK**
- brushed gold **DZ**
- brushed rose gold **SZ**





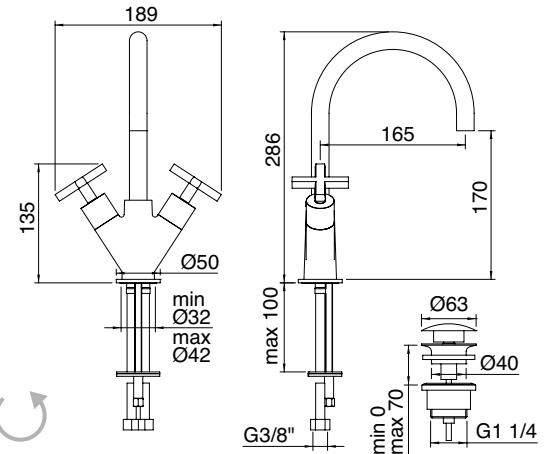
CC	IT 1016 CC XV ZZ	351,00
NN	IT 1016 NN XV ZZ	467,00
BB	IT 1016 BB XV ZZ	467,00
NL	IT 1016 NL XV ZZ	456,00
NF	IT 1016 NF XV ZZ	456,00
HH	IT 1016 HH XV ZZ	540,00
CZ	IT 1016 CZ XV ZZ	540,00
KK	IT 1016 KK XV ZZ	540,00
DZ	IT 1016 DZ XV ZZ	729,00
SZ	IT 1016 SZ XV ZZ	729,00

Batteria lavabo 3 fori
3 hole washbasin mixer
Mélangeur lavabo 3 trous
Waschtisch Dreilochbatterie



CC	IT 1015 CC XV ZZ	277,00
NN	IT 1015 NN XV ZZ	367,00
BB	IT 1015 BB XV ZZ	367,00
NL	IT 1015 NL XV ZZ	360,00
NF	IT 1015 NF XV ZZ	360,00
HH	IT 1015 HH XV ZZ	425,00
CZ	IT 1015 CZ XV ZZ	425,00
KK	IT 1015 KK XV ZZ	425,00
DZ	IT 1015 DZ XV ZZ	574,00
SZ	IT 1015 SZ XV ZZ	574,00

Miscelatore lavabo 2 maniglie
2-handle basin mixer
Mélangeur lavabo monotrou
2-Griff Waschtischarmatur



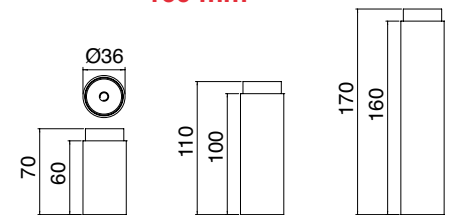
CC	IT 0473 CC ZZ ZZ	41,00	CC	IT 0483 CC ZZ ZZ	68,00	CC	RWIT 1015 CC 03	93,00
NN	IT 0473 NN ZZ ZZ	54,00	NN	IT 0483 NN ZZ ZZ	91,00	NN	RWIT 1015 NN 03	124,00
BB	IT 0473 BB ZZ ZZ	54,00	BB	IT 0483 BB ZZ ZZ	91,00	BB	RWIT 1015 BB 03	124,00
NL	IT 0473 NL ZZ ZZ	53,00	NL	IT 0483 NL ZZ ZZ	89,00	NL	RWIT 1015 NL 03	121,00
NF	IT 0473 NF ZZ ZZ	53,00	NF	IT 0483 NF ZZ ZZ	89,00	NF	RWIT 1015 NF 03	121,00
HH	IT 0473 HH ZZ ZZ	62,00	HH	IT 0483 HH ZZ ZZ	106,00	HH	RWIT 1015 HH 03	144,00
CZ	IT 0473 CZ ZZ ZZ	62,00	CZ	IT 0483 CZ ZZ ZZ	106,00	CZ	RWIT 1015 CZ 03	144,00
KK	IT 0473 KK ZZ ZZ	62,00	KK	IT 0483 KK ZZ ZZ	106,00	KK	RWIT 1015 KK 03	144,00
DZ	IT 0473 DZ ZZ ZZ	84,00	DZ	IT 0483 DZ ZZ ZZ	143,00	DZ	RWIT 1015 DZ 03	193,00
SZ	IT 0473 SZ ZZ ZZ	84,00	SZ	IT 0483 SZ ZZ ZZ	143,00	SZ	RWIT 1015 SZ 03	193,00

60 mm

100 mm

160 mm

Prolunga per Art. 1015
Basin extension Art. 1015
Kit de rallonge pour Art. 1015
Verlängerung für Art. 1015

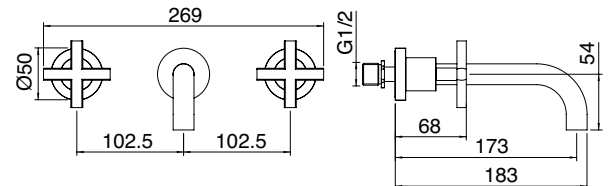


CC	RWIT 1052 CC 05	252,00
NN	RWIT 1052 NN 05	356,00
BB	RWIT 1052 BB 05	356,00
NL	RWIT 1052 NL 05	351,00
NF	RWIT 1052 NF 05	351,00
HH	RWIT 1052 HH 05	431,00
CZ	RWIT 1052 CZ 05	431,00
KK	RWIT 1052 KK 05	431,00
DZ	RWIT 1052 DZ 05	553,00
SZ	RWIT 1052 SZ 05	553,00

Gruppo lavabo a muro 173
Concealed 3 hole washbasin 173
Mélangeur lavabo à encastrer 173
UP-Waschtisch batterie 173



RWIT 7252 ZZ 53 133,00
+ PARTI INCASSO - CONCEALED BODY
CORPS À ENCASTRER - UNTERPUTZTEIL





LINE
BAMBOO
XERO
NANOtech
TIME - TIME_OUT
UP+
PA36
HASK
RAN

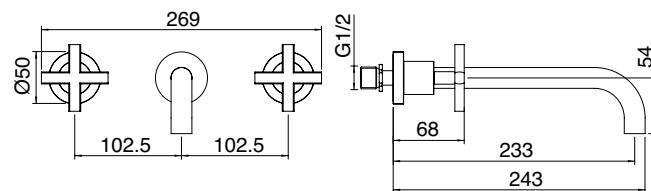




CC	RWIT 1060 CC 05	258,00
NN	RWIT 1060 NN 05	365,00
BB	RWIT 1060 BB 05	365,00
NL	RWIT 1060 NL 05	361,00
NF	RWIT 1060 NF 05	361,00
HH	RWIT 1060 HH 05	442,00
CZ	RWIT 1060 CZ 05	442,00
KK	RWIT 1060 KK 05	442,00
DZ	RWIT 1060 DZ 05	568,00
SZ	RWIT 1060 SZ 05	568,00

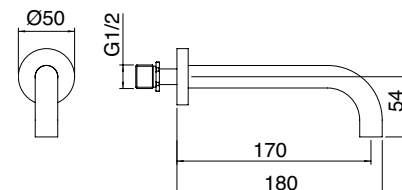
Gruppo lavabo a muro 233
Concealed 3 hole washbasin 233
Mélangeur lavabo à encastrer 233
UP-Waschtisch batterie 233

RWIT 7252 ZZ 53 133,00
+ PARTI INCASO - CONCEALED BODY
CORPS À ENCASTRER - UNTERPUTZTEIL



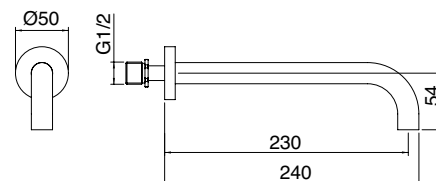
CC	IT 7263 CC ZZ ZZ	77,00
NN	IT 7263 NN ZZ ZZ	100,00
BB	IT 7263 BB ZZ ZZ	100,00
NL	IT 7263 NL ZZ ZZ	98,00
NF	IT 7263 NF ZZ ZZ	98,00
HH	IT 7263 HH ZZ ZZ	117,00
CZ	IT 7263 CZ ZZ ZZ	117,00
KK	IT 7263 KK ZZ ZZ	117,00
DZ	IT 7263 DZ ZZ ZZ	157,00
SZ	IT 7263 SZ ZZ ZZ	157,00

Bocca a muro 170
Wall-mtd. spout 170
Bec mural 170
Wandauslauf 170



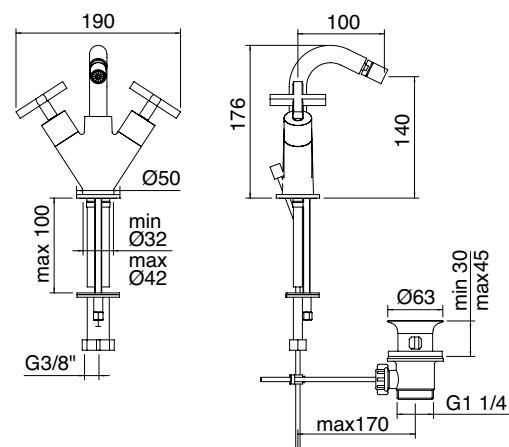
CC	IT 7261 CC ZZ ZZ	83,00
NN	IT 7261 NN ZZ ZZ	110,00
BB	IT 7261 BB ZZ ZZ	110,00
NL	IT 7261 NL ZZ ZZ	107,00
NF	IT 7261 NF ZZ ZZ	107,00
HH	IT 7261 HH ZZ ZZ	127,00
CZ	IT 7261 CZ ZZ ZZ	127,00
KK	IT 7261 KK ZZ ZZ	127,00
DZ	IT 7261 DZ ZZ ZZ	170,00
SZ	IT 7261 SZ ZZ ZZ	170,00

Bocca a muro 230
Wall-mtd. spout 230
Bec mural 230
Wandauslauf 230



CC	IT 1024 CC XV ZZ	300,00
NN	IT 1024 NN XV ZZ	399,00
BB	IT 1024 BB XV ZZ	399,00
NL	IT 1024 NL XV ZZ	389,00
NF	IT 1024 NF XV ZZ	389,00
HH	IT 1024 HH XV ZZ	462,00
CZ	IT 1024 CZ XV ZZ	462,00
KK	IT 1024 KK XV ZZ	462,00
DZ	IT 1024 DZ XV ZZ	623,00
SZ	IT 1024 SZ XV ZZ	623,00

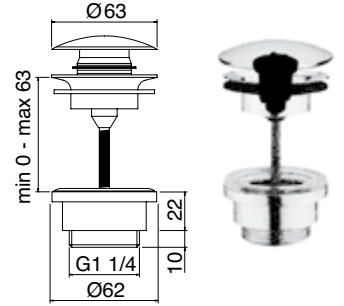
Miscelatore bidet 2 maniglie
2-handle bidet mixer
Mélangeur bidet monotrou
2-Griff Bidetarmatur





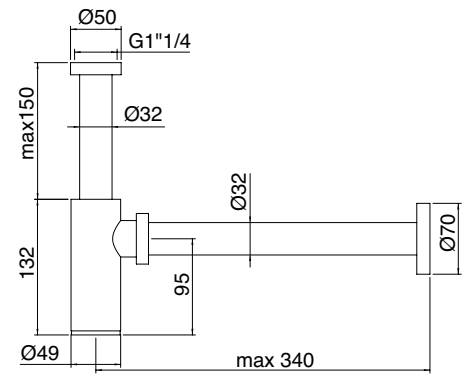
CC	IT RTSA 117 CC	28,00
NN	IT RTSA 117 NN	38,00
BB	IT RTSA 117 BB	38,00
NL	IT RTSA 117 NL	39,00
NF	IT RTSA 117 NF	39,00
HH	IT RTSA 117 HH	45,00
CZ	IT RTSA 117 CZ	45,00
KK	IT RTSA 117 KK	43,00
DZ	IT RTSA 117 DZ	59,00
SZ	IT RTSA 117 SZ	59,00

Scarico click-clack universale con inserto per sempre aperto
 Universal up/down pop-up waste with adaptor for continuous water flow
 Bonde click-clack universelle avec option écoulement libre
 Universal-Abflussgarnitur Click-Clack mit Verschlussperre



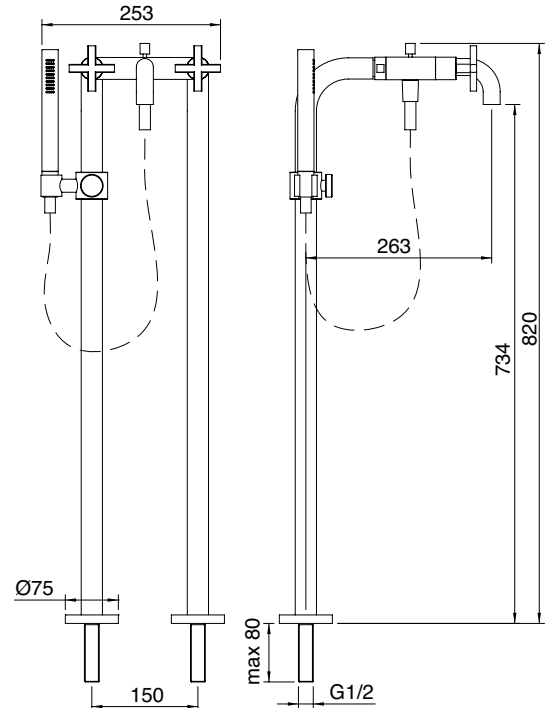
CC	IT 0405 CC ZZ ZZ	88,00
NN	IT 0405 NN ZZ ZZ	177,00
BB	IT 0405 BB ZZ ZZ	177,00
NL	IT 0405 NL ZZ ZZ	167,00
NF	IT 0405 NF ZZ ZZ	167,00
HH	IT 0405 HH ZZ ZZ	136,00
CZ	IT 0405 CZ ZZ ZZ	136,00
KK	IT 0405 KK ZZ ZZ	186,00
DZ	IT 0405 DZ ZZ ZZ	184,00
SZ	IT 0405 SZ ZZ ZZ	184,00

Sifone a vista
 Drain-trap
 Siphon
 Siphon für Waschtisch



CC	IT 7284 CC XC ZZ	963,00
NN	IT 7284 NN XC ZZ	1.279,00
BB	IT 7284 BB XC ZZ	1.279,00
NL	IT 7284 NL XC ZZ	1.250,00
NF	IT 7284 NF XC ZZ	1.250,00
HH	IT 7284 HH XC ZZ	1.480,00
CZ	IT 7284 CZ XC ZZ	1.480,00
KK	IT 7284 KK XC ZZ	1.480,00
DZ	IT 7284 DZ XC ZZ	1.999,00
SZ	IT 7284 SZ XC ZZ	1.999,00

Gruppo vasca esterno su colonne
 Bathtub mixer with standpipes
 Mélangeur bain douche sur tuyaux
 Freistehende Zweigriff - Wannenfüllarmatur





RAN

HASK

PA36

UP+

TIME - TIME_OUT

NANOtech

XERO

BAMBOO

LINE

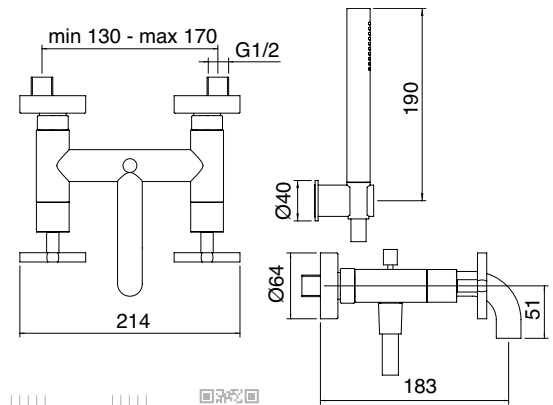


IT 1000 NL XV ZZ



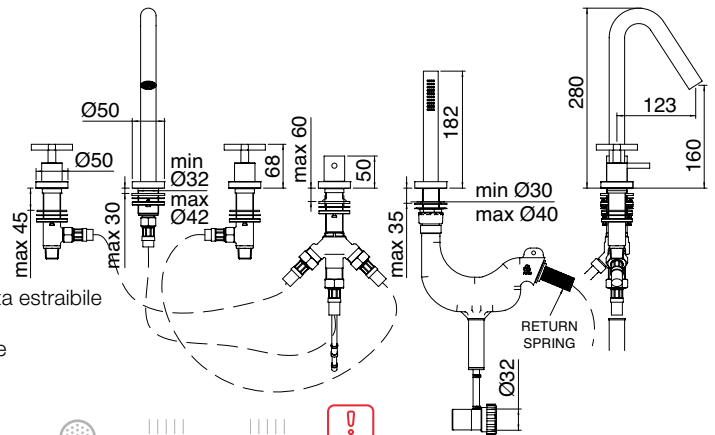
CC	IT 1000 CC XV ZZ	397,00
NN	IT 1000 NN XV ZZ	527,00
BB	IT 1000 BB XV ZZ	527,00
NL	IT 1000 NL XV ZZ	515,00
NF	IT 1000 NF XV ZZ	515,00
HH	IT 1000 HH XV ZZ	611,00
CZ	IT 1000 CZ XV ZZ	611,00
KK	IT 1000 KK XV ZZ	611,00
DZ	IT 1000 DZ XV ZZ	824,00
SZ	IT 1000 SZ XV ZZ	824,00

Gruppo vasca
Wall-mtd. bathtub
Mélangeur bain/douche mural
Wanne/Brause Armatur A.P.



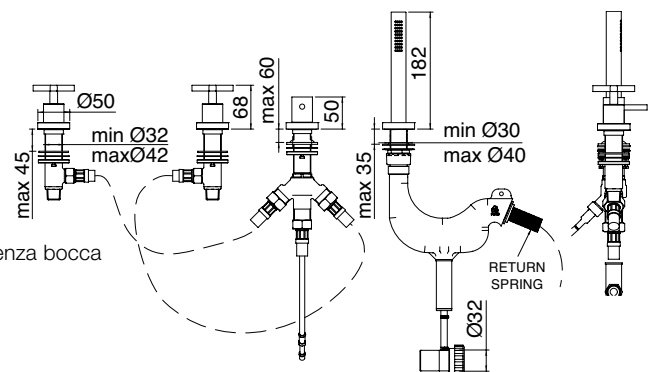
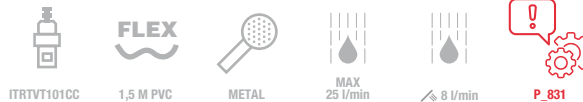
CC	IT 1006 CC XV ZZ	742,00
NN	IT 1006 NN XV ZZ	986,00
BB	IT 1006 BB XV ZZ	986,00
NL	IT 1006 NL XV ZZ	965,00
NF	IT 1006 NF XV ZZ	965,00
HH	IT 1006 HH XV ZZ	1.143,00
CZ	IT 1006 CZ XV ZZ	1.143,00
KK	IT 1006 KK XV ZZ	1.143,00
DZ	IT 1006 DZ XV ZZ	1.542,00
SZ	IT 1006 SZ XV ZZ	1.542,00

Batteria bordo vasca a 5 fori con doccetta estraibile
5 hole deck-mounted bathtub
Mélangeur bain/douche 5 trous sur gorge
Fünfloch - Wannenrandarmatur



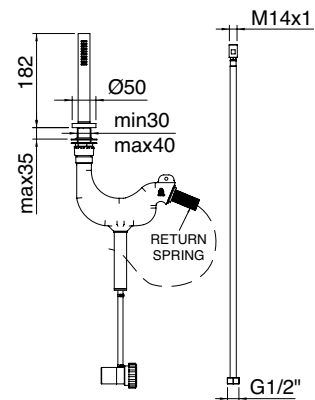
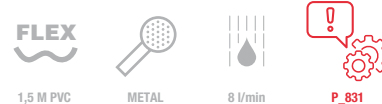
CC	IT 1070 CC XV ZZ	647,00
NN	IT 1070 NN XV ZZ	861,00
BB	IT 1070 BB XV ZZ	861,00
NL	IT 1070 NL XV ZZ	841,00
NF	IT 1070 NF XV ZZ	841,00
HH	IT 1070 HH XV ZZ	997,00
CZ	IT 1070 CZ XV ZZ	997,00
KK	IT 1070 KK XV ZZ	997,00
DZ	IT 1070 DZ XV ZZ	1.346,00
SZ	IT 1070 SZ XV ZZ	1.346,00

Batteria bordo vasca con doccetta estraibile senza bocca
Deck-mounted bathtub without spout
Mitigeur bain/douche sur gorge sans bec
Wannenrandarmatur ohne Auslauf



CC	RWIT 2765 CC 25	222,00
NN	RWIT 2765 NN 25	295,00
BB	RWIT 2765 BB 25	295,00
NL	RWIT 2765 NL 25	289,00
NF	RWIT 2765 NF 25	289,00
HH	RWIT 2765 HH 25	341,00
CZ	RWIT 2765 CZ 25	341,00
KK	RWIT 2765 KK 25	341,00
DZ	RWIT 2765 DZ 25	460,00
SZ	RWIT 2765 SZ 25	460,00

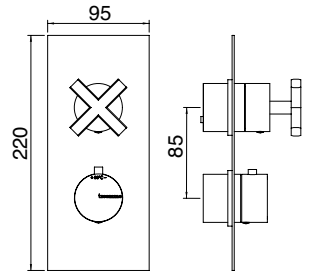
Doccetta estraibile bordo vasca
Deck-mounted retractable handshower
Douchette extractible sur gorge
Versenkbare Schlauchbrause





CC	RWIT 8A46 CC 10	277,00
NN	RWIT 8A46 NN 10	393,00
BB	RWIT 8A46 BB 10	393,00
NL	RWIT 8A46 NL 10	388,00
NF	RWIT 8A46 NF 10	388,00
HH	RWIT 8A46 HH 10	475,00
CZ	RWIT 8A46 CZ 10	475,00
KK	RWIT 8A46 KK 10	475,00
DZ	RWIT 8A46 DZ 10	611,00
SZ	RWIT 8A46 SZ 10	611,00

RWIT 8A46 ZZ 20 309,00
 + PARTI INCASSO - CONCEALED BODY
 CORPS À ENCASTRER - UNTERPUTZTEIL

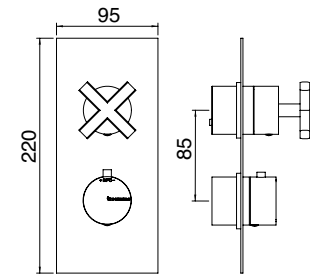


Termostatico incasso con deviatore 2 uscite
 Concealed thermostatic with 2 ways diverter
 Thermostatique à encastrer avec inverseur à 2 sorties
 UP-Thermostat mit 2 Wege Umsteller



CC	RWIT 8A72 CC 10	322,00
NN	RWIT 8A72 NN 10	458,00
BB	RWIT 8A72 BB 10	458,00
NL	RWIT 8A72 NL 10	451,00
NF	RWIT 8A72 NF 10	451,00
HH	RWIT 8A72 HH 10	554,00
CZ	RWIT 8A72 CZ 10	554,00
KK	RWIT 8A72 KK 10	554,00
DZ	RWIT 8A72 DZ 10	711,00
SZ	RWIT 8A72 SZ 10	711,00

RWIT 8A46 ZZ 20 309,00
 + PARTI INCASSO - CONCEALED BODY
 CORPS À ENCASTRER - UNTERPUTZTEIL

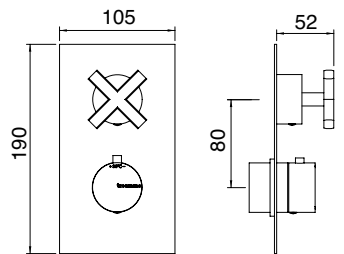


Termostatico incasso con deviatore 3 uscite
 Concealed thermostatic with 3 ways diverter
 Thermostatique à encastrer avec inverseur à 3 sorties
 UP-Thermostat mit 3 Wege Umsteller

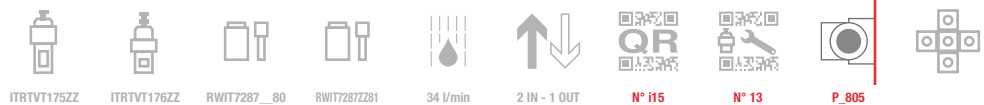


CC	RWIT 7287 CC 36	248,00
NN	RWIT 7287 NN 36	352,00
BB	RWIT 7287 BB 36	352,00
NL	RWIT 7287 NL 36	347,00
NF	RWIT 7287 NF 36	347,00
HH	RWIT 7287 HH 36	426,00
CZ	RWIT 7287 CZ 36	426,00
KK	RWIT 7287 KK 36	426,00
DZ	RWIT 7287 DZ 36	547,00
SZ	RWIT 7287 SZ 36	547,00

RWIT 7287 ZZ 30 458,00
 + PARTI INCASSO - CONCEALED BODY
 CORPS À ENCASTRER - UNTERPUTZTEIL

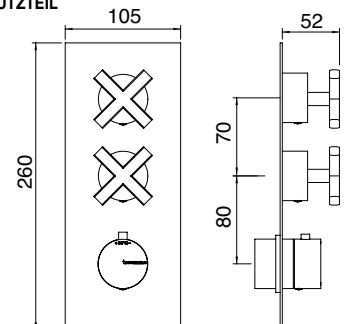


Termostatico incasso 1 uscita
 1 way concealed thermostatic
 Thermostatique à encastrer avec 1 sortie
 UP-Thermostat mit 1 Weg



CC	RWIT 7286 CC 36	371,00
NN	RWIT 7286 NN 36	528,00
BB	RWIT 7286 BB 36	528,00
NL	RWIT 7286 NL 36	520,00
NF	RWIT 7286 NF 36	520,00
HH	RWIT 7286 HH 36	639,00
CZ	RWIT 7286 CZ 36	639,00
KK	RWIT 7286 KK 36	639,00
DZ	RWIT 7286 DZ 36	820,00
SZ	RWIT 7286 SZ 36	820,00

RWIT 7286 ZZ 30 680,00
 + PARTI INCASSO - CONCEALED BODY
 CORPS À ENCASTRER - UNTERPUTZTEIL



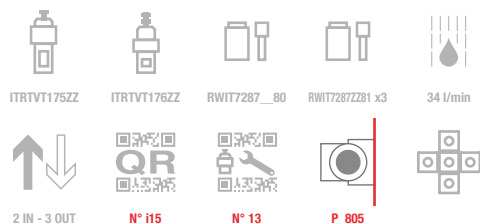
Termostatico incasso 2 uscite
 2 ways concealed thermostatic
 Thermostatique à encastrer avec 2 sorties
 UP-Thermostat mit 2 Wege



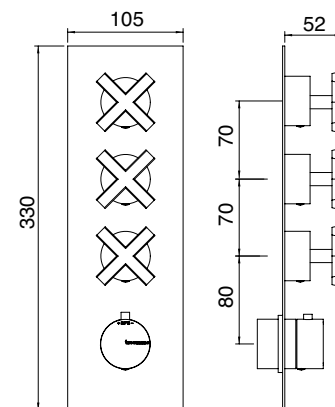


CC	RWIT 7294 CC 41	504,00
NN	RWIT 7294 NN 41	716,00
BB	RWIT 7294 BB 41	716,00
NL	RWIT 7294 NL 41	706,00
NF	RWIT 7294 NF 41	706,00
HH	RWIT 7294 HH 41	868,00
CZ	RWIT 7294 CZ 41	868,00
KK	RWIT 7294 KK 41	868,00
DZ	RWIT 7294 DZ 41	1.114,00
SZ	RWIT 7294 SZ 41	1.114,00

Termostatico incasso 3 uscite
3 ways concealed thermostatic
Thermostatique à encastrer avec 3 sorties
UP-Thermostat mit 3 Wege



RWIT 7294 ZZ 30 855,00
+ PARTI INCASSO - CONCEALED BODY
CORPS À ENCASTRER - UNTERPUTZTEIL

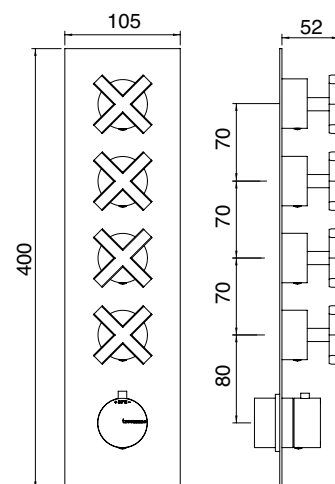


CC	RWIT 7297 CC 36	597,00
NN	RWIT 7297 NN 36	848,00
BB	RWIT 7297 BB 36	848,00
NL	RWIT 7297 NL 36	836,00
NF	RWIT 7297 NF 36	836,00
HH	RWIT 7297 HH 36	1.026,00
CZ	RWIT 7297 CZ 36	1.026,00
KK	RWIT 7297 KK 36	1.026,00
DZ	RWIT 7297 DZ 36	1.319,00
SZ	RWIT 7297 SZ 36	1.319,00

Termostatico incasso 4 uscite
4 ways concealed thermostatic
Thermostatique à encastrer avec 4 sorties
UP-Thermostat mit 4 Wege



RWIT 7297 ZZ 30 1.030,00
+ PARTI INCASSO - CONCEALED BODY
CORPS À ENCASTRER - UNTERPUTZTEIL

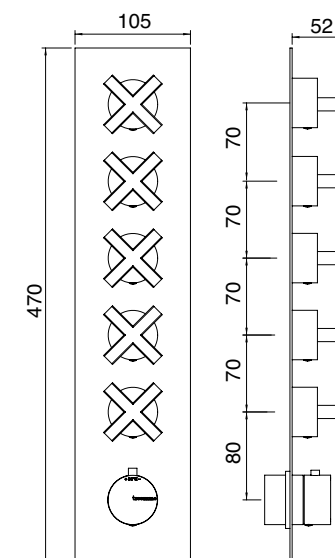


CC	RWIT 7298 CC 36	720,00
NN	RWIT 7298 NN 36	1.023,00
BB	RWIT 7298 BB 36	1.023,00
NL	RWIT 7298 NL 36	1.009,00
NF	RWIT 7298 NF 36	1.009,00
HH	RWIT 7298 HH 36	1.240,00
CZ	RWIT 7298 CZ 36	1.240,00
KK	RWIT 7298 KK 36	1.240,00
DZ	RWIT 7298 DZ 36	1.592,00
SZ	RWIT 7298 SZ 36	1.592,00

Termostatico incasso 5 uscite
5 ways concealed thermostatic
Thermostatique à encastrer avec 5 sorties
UP-Thermostat mit 5 Wege



RWIT 7298 ZZ 30 1.205,00
+ PARTI INCASSO - CONCEALED BODY
CORPS À ENCASTRER - UNTERPUTZTEIL



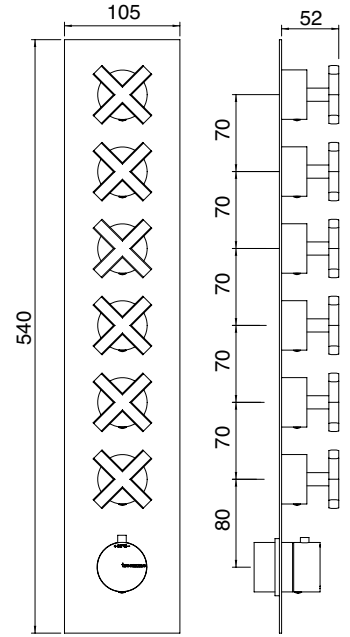


CC	RWIT 7264 CC 36	855,00
NN	RWIT 7264 NN 36	1.215,00
BB	RWIT 7264 BB 36	1.215,00
NL	RWIT 7264 NL 36	1.197,00
NF	RWIT 7264 NF 36	1.197,00
HH	RWIT 7264 HH 36	1.471,00
CZ	RWIT 7264 CZ 36	1.471,00
KK	RWIT 7264 KK 36	1.471,00
DZ	RWIT 7264 DZ 36	1.891,00
SZ	RWIT 7264 SZ 36	1.891,00

Termostatico incasso 6 uscite
6 ways concealed thermostatic
Thermostatique à encastrer avec 6 sorties
UP-Thermostat mit 6 Wege

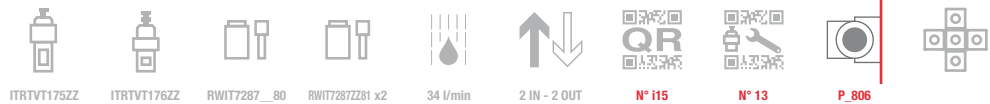


RWIT 7264 ZZ 30 1.380,00
+ PARTI INCASSO - CONCEALED BODY
CORPS À ENCASTRER - UNTERPUTZTEIL

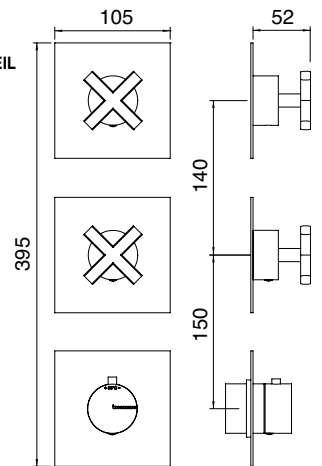


CC	RWIT 7274 CC 33	438,00
NN	RWIT 7274 NN 33	623,00
BB	RWIT 7274 BB 33	623,00
NL	RWIT 7274 NL 33	613,00
NF	RWIT 7274 NF 33	613,00
HH	RWIT 7274 HH 33	753,00
CZ	RWIT 7274 CZ 33	753,00
KK	RWIT 7274 KK 33	753,00
DZ	RWIT 7274 DZ 33	969,00
SZ	RWIT 7274 SZ 33	969,00

Termostatico incasso 2 uscite
2 ways concealed thermostatic
Thermostatique à encastrer avec 2 sorties
UP-Thermostat mit 2 Wege

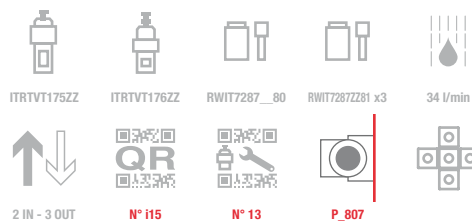


RWIT 7274 ZZ 40 762,00
+ PARTI INCASSO - CONCEALED BODY
CORPS À ENCASTRER - UNTERPUTZTEIL

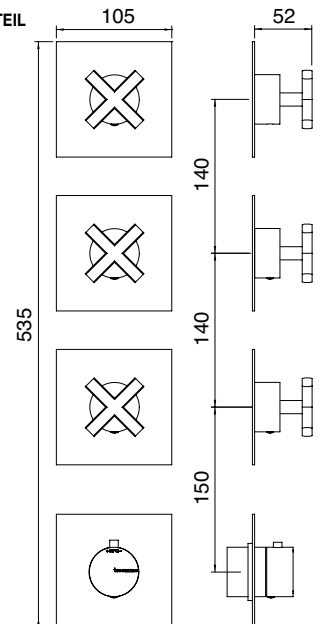


CC	RWIT 7275 CC 33	567,00
NN	RWIT 7275 NN 33	805,00
BB	RWIT 7275 BB 33	805,00
NL	RWIT 7275 NL 33	794,00
NF	RWIT 7275 NF 33	794,00
HH	RWIT 7275 HH 33	975,00
CZ	RWIT 7275 CZ 33	975,00
KK	RWIT 7275 KK 33	975,00
DZ	RWIT 7275 DZ 33	1.253,00
SZ	RWIT 7275 SZ 33	1.253,00

Termostatico incasso 3 uscite
3 ways concealed thermostatic
Thermostatique à encastrer avec 3 sorties
UP-Thermostat mit 3 Wege



RWIT 7275 ZZ 40 937,00
+ PARTI INCASSO - CONCEALED BODY
CORPS À ENCASTRER - UNTERPUTZTEIL





RAN

HASK

PA36

UP+

TIME - TIME_OUT

NANOtech

XERO

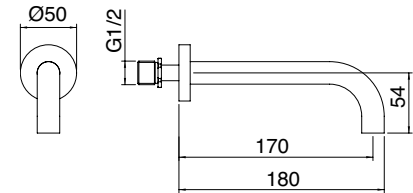
BAMBOO

LINE



CC	IT 7263 CC ZZ HF	77,00
NN	IT 7263 NN ZZ HF	100,00
BB	IT 7263 BB ZZ HF	100,00
NL	IT 7263 NL ZZ HF	98,00
NF	IT 7263 NF ZZ HF	98,00
HH	IT 7263 HH ZZ HF	117,00
CZ	IT 7263 CZ ZZ HF	117,00
KK	IT 7263 KK ZZ HF	117,00
DZ	IT 7263 DZ ZZ HF	157,00
SZ	IT 7263 SZ ZZ HF	157,00

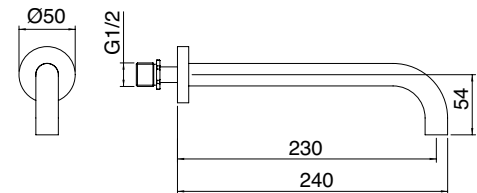
Bocca a muro per vasca 170
Wall-mtd. spout for bathtub 170
Bec mural pour baignoire 170
Wandauslauf für Badewannen 170



ITRTAE111ZZ ITRTAT105ZZ 34 l/min

CC	IT 7261 CC ZZ HF	83,00
NN	IT 7261 NN ZZ HF	110,00
BB	IT 7261 BB ZZ HF	110,00
NL	IT 7261 NL ZZ HF	107,00
NF	IT 7261 NF ZZ HF	107,00
HH	IT 7261 HH ZZ HF	127,00
CZ	IT 7261 CZ ZZ HF	127,00
KK	IT 7261 KK ZZ HF	127,00
DZ	IT 7261 DZ ZZ HF	170,00
SZ	IT 7261 SZ ZZ HF	170,00

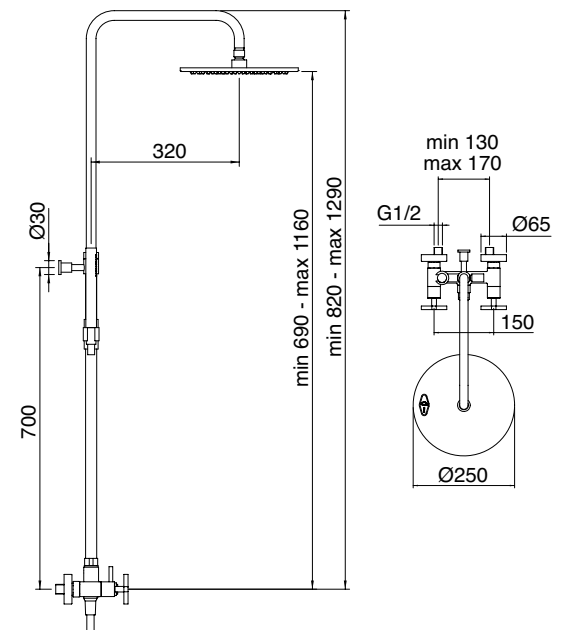
Bocca a muro per vasca 230
Wall-mtd. spout for bathtub 230
Bec mural pour baignoire 230
Wandauslauf für Badewannen 230



ITRTAE111ZZ ITRTAT105ZZ 34 l/min

CC	IT 1090 CC XV ZZ	837,00
NN	IT 1090 NN XV ZZ	1.113,00
BB	IT 1090 BB XV ZZ	1.113,00
NL	IT 1090 NL XV ZZ	1.087,00
NF	IT 1090 NF XV ZZ	1.087,00
HH	IT 1090 HH XV ZZ	1.288,00
CZ	IT 1090 CZ XV ZZ	1.288,00
KK	IT 1090 KK XV ZZ	1.288,00
DZ	IT 1090 DZ XV ZZ	1.739,00
SZ	IT 1090 SZ XV ZZ	1.739,00

Gruppo doccia con doccetta e soffione anticalcare
Wall-mtd. shower set, anti-limescale
hand-shower and shower head
Mitigeur douche mural, douchette et tête
de douche anticalcaire
Regenbrause-Set, Antikalk Handbrause
und Kopfbrause



ITRTVT101CC METAL 250 mm 1,5 M PVC METAL N° 67 9 l/min 8 l/min



CC	IT 7288 CC XC ZZ	521,00
NN	IT 7288 NN XC ZZ	692,00
BB	IT 7288 BB XC ZZ	692,00
NL	IT 7288 NL XC ZZ	677,00
NF	IT 7288 NF XC ZZ	677,00
HH	IT 7288 HH XC ZZ	801,00
CZ	IT 7288 CZ XC ZZ	801,00
KK	IT 7288 KK XC ZZ	801,00
DZ	IT 7288 DZ XC ZZ	1.081,00
SZ	IT 7288 SZ XC ZZ	1.081,00

Termostatico esterno doccia
Wall-mtd. thermostatic mixer
Thermostatique mural
AP-Thermostat



ITRTVT148ZZ



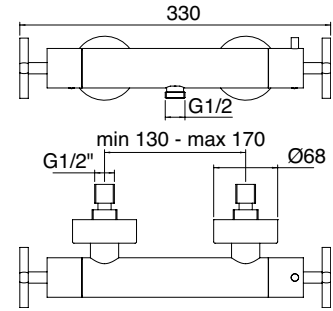
ITRTVT105CC



20 l/min



N° 67



CC	RWIT 1040 CC 02	67,00
NN	RWIT 1040 NN 02	96,00
BB	RWIT 1040 BB 02	96,00
NL	RWIT 1040 NL 02	95,00
NF	RWIT 1040 NF 02	95,00
HH	RWIT 1040 HH 02	117,00
CZ	RWIT 1040 CZ 02	117,00
KK	RWIT 1040 KK 02	117,00
DZ	RWIT 1040 DZ 02	150,00
SZ	RWIT 1040 SZ 02	150,00

Rubinetto d'arresto 1/2"
1/2" concealed stop valve
Robinet d'arrêt 1/2"
UP-Ventil 1/2"



ITRTVT101CC



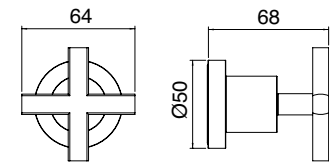
RWL7252ZZ02



P_798

RWIT 1040 ZZ 01 87,00

+ PARTI INCASSO - CONCEALED BODY
CORPS À ENCASTRER - UNTERPUTZTEIL



CC	RWIT 10D5 CC 01	134,00
NN	RWIT 10D5 NN 01	191,00
BB	RWIT 10D5 BB 01	191,00
NL	RWIT 10D5 NL 01	189,00
NF	RWIT 10D5 NF 01	189,00
HH	RWIT 10D5 HH 01	231,00
CZ	RWIT 10D5 CZ 01	231,00
KK	RWIT 10D5 KK 01	231,00
DZ	RWIT 10D5 DZ 01	297,00
SZ	RWIT 10D5 SZ 01	297,00

Deviatore incasso 2 uscite
2 ways concealed diverter
Inverseur à encastrer à 2 sorties
2 Wege UP- Umsteller



ITRTVT189ZZ



RWIT7546ZZ82



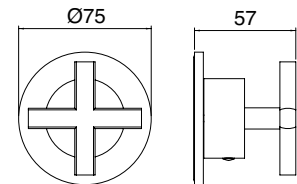
24 l/min



N° 15

RWIT 7AD5 ZZ 01 200,00

+ PARTI INCASSO - CONCEALED BODY
CORPS À ENCASTRER - UNTERPUTZTEIL



CC	RWIT 10D6 CC 01	149,00
NN	RWIT 10D6 NN 01	210,00
BB	RWIT 10D6 BB 01	210,00
NL	RWIT 10D6 NL 01	208,00
NF	RWIT 10D6 NF 01	208,00
HH	RWIT 10D6 HH 01	255,00
CZ	RWIT 10D6 CZ 01	255,00
KK	RWIT 10D6 KK 01	255,00
DZ	RWIT 10D6 DZ 01	327,00
SZ	RWIT 10D6 SZ 01	327,00

Deviatore incasso 3 uscite
3 ways concealed diverter
Inverseur à encastrer à 3 sorties
3 Wege UP- Umsteller



ITRTVT190ZZ



RWIT7546ZZ82



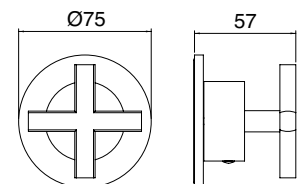
24 l/min



N° 15

RWIT 7AD5 ZZ 01 200,00

+ PARTI INCASSO - CONCEALED BODY
CORPS À ENCASTRER - UNTERPUTZTEIL



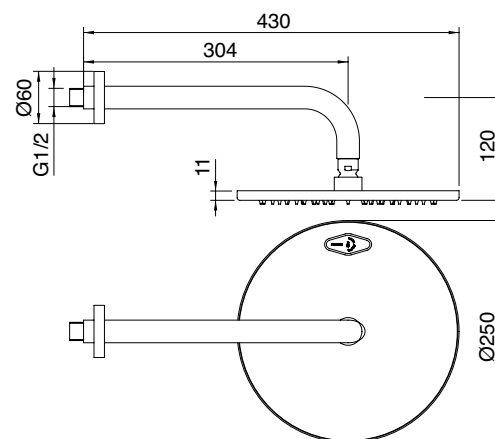


CC	IT 6586 CC ZZ VS	311,00
NN	IT 6586 NN ZZ VS	414,00
BB	IT 6586 BB ZZ VS	414,00
NL	IT 6586 NL ZZ VS	404,00
NF	IT 6586 NF ZZ VS	404,00
HH	IT 6586 HH ZZ VS	478,00
CZ	IT 6586 CZ ZZ VS	478,00
KK	IT 6586 KK ZZ VS	478,00
DZ	IT 6586 DZ ZZ VS	646,00
SZ	IT 6586 SZ ZZ VS	646,00

Soffione a parete anticalcare
Anti-limescale shower-head
Douche de tête anticalcaire avec bras mural
Antikalk Kopfbrause mit Arm



METAL 250 mm 9 l/min

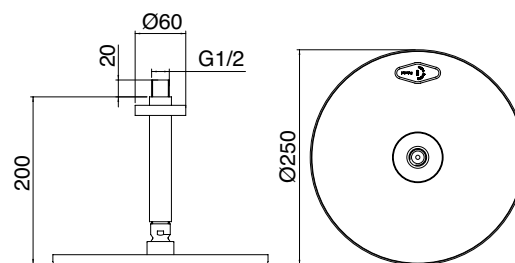


CC	IT 6587 CC ZZ VS	292,00
NN	IT 6587 NN ZZ VS	388,00
BB	IT 6587 BB ZZ VS	388,00
NL	IT 6587 NL ZZ VS	380,00
NF	IT 6587 NF ZZ VS	380,00
HH	IT 6587 HH ZZ VS	449,00
CZ	IT 6587 CZ ZZ VS	449,00
KK	IT 6587 KK ZZ VS	449,00
DZ	IT 6587 DZ ZZ VS	606,00
SZ	IT 6587 SZ ZZ VS	606,00

Soffione a soffitto anticalcare
Ceiling anti-limescale shower-head
Douche de tête anticalcaire avec bras au plafond
Antikalk Regenbrause mit Deckenanbindung



METAL 250 mm 9 l/min

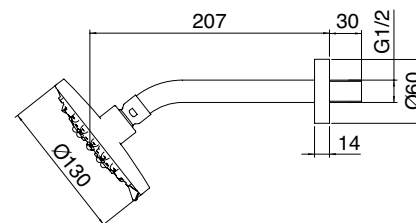


CC	IT 0498 CC ZZ ZZ	120,00
----	------------------	--------

Soffione 3 getti
3 jets shower-head
Douche de tête 3 jets
Kopfbrause mit 3 Strahlarten



ABS 130 mm 9 l/min

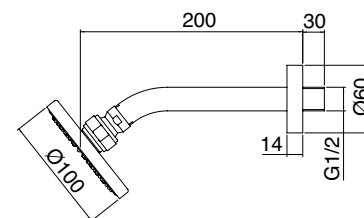


CC	IT 6570 CC ZZ ZZ	92,00
NN	IT 6570 NN ZZ ZZ	123,00
BB	IT 6570 BB ZZ ZZ	120,00

Soffione a parete anticalcare
Anti-limescale shower-head
Douche de tête anticalcaire avec bras mural
Antikalk Kopfbrause mit Arm



ABS 100 mm 9 l/min



LINE BAMBOO XERO NANOftech TIME - TIME_OUT UP+ PA36 HASK RAN





CC	IT 6529 CC ZZ ZZ	223,00
NN	IT 6529 NN ZZ ZZ	319,00
BB	IT 6529 BB ZZ ZZ	319,00
NL	IT 6529 NL ZZ ZZ	315,00
NF	IT 6529 NF ZZ ZZ	315,00
HH	IT 6529 HH ZZ ZZ	343,00
CZ	IT 6529 CZ ZZ ZZ	343,00
KK	IT 6529 KK ZZ ZZ	335,00
DZ	IT 6529 DZ ZZ ZZ	463,00
SZ	IT 6529 SZ ZZ ZZ	463,00

Kit saliscendi senza presa acqua
Sliding-bar kit without wall outlet
Barre coulissante sans coude mural
Gleitstange ohne Wandanschlussbogen



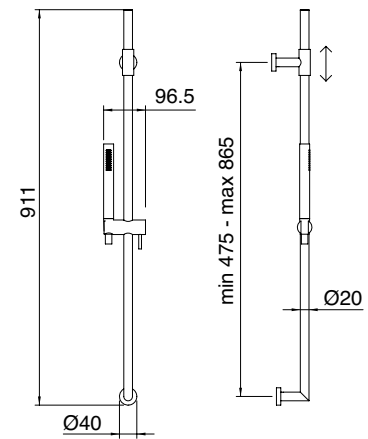
1,5 M PVC



METAL



8 l/min



CC	IT RTGA 123 CC	25,00
NN	IT RTGA 123 NN	39,00
BB	IT RTGA 123 BB	39,00
NL	IT RTGA 123 NL	49,00
NF	IT RTGA 123 NF	49,00
HH	IT RTGA 123 HH	27,00
CZ	IT RTGA 123 CZ	27,00
KK	IT RTGA 123 KK	27,00
DZ	IT RTGA 123 DZ	38,00
SZ	IT RTGA 123 SZ	38,00

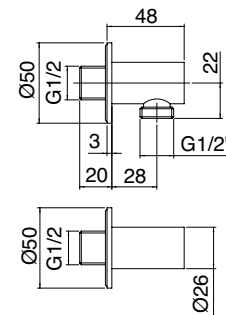
Presa acqua a muro
Wall hose outlet
Coude mural
Wandanschlussbogen



1/2 M



1/2 M



CC	RWIT 2705 CC 74	123,00
NN	RWIT 2705 NN 74	189,00
BB	RWIT 2705 BB 74	189,00
NL	RWIT 2705 NL 74	184,00
NF	RWIT 2705 NF 74	184,00
HH	RWIT 2705 HH 74	189,00
CZ	RWIT 2705 CZ 74	189,00
KK	RWIT 2705 KK 74	186,00
DZ	RWIT 2705 DZ 74	255,00
SZ	RWIT 2705 SZ 74	255,00

Kit gancio, flessibile, doccia
Hook, flexible and hand shower kit
Kit support, flexible et douche
Brausehalter, Schlauch und Handbrau



1,5 M PVC



METAL



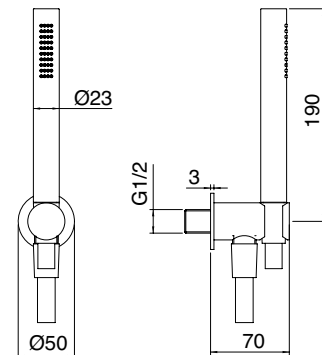
1/2 M



1/2 M



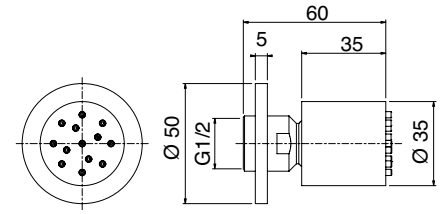
8 l/min





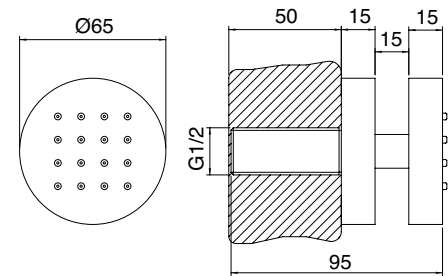
CC	IT RTBR 205 CC	64,00
NN	IT RTBR 205 NN	86,00
BB	IT RTBR 205 BB	86,00
NL	IT RTBR 205 NL	112,00
NF	IT RTBR 205 NF	112,00
HH	IT RTBR 205 HH	99,00
CZ	IT RTBR 205 CZ	99,00
KK	IT RTBR 205 KK	99,00
DZ	IT RTBR 205 DZ	133,00
SZ	IT RTBR 205 SZ	133,00

Soffione laterale
Nozzle
Buse
Düse



CC	IT RTBR 277 CC	112,00
NN	IT RTBR 277 NN	149,00
BB	IT RTBR 277 BB	149,00
NL	IT RTBR 277 NL	157,00
NF	IT RTBR 277 NF	157,00
HH	IT RTBR 277 HH	171,00
CZ	IT RTBR 277 CZ	171,00
DZ	IT RTBR 277 DZ	231,00
SZ	IT RTBR 277 SZ	231,00

Soffione laterale
Nozzle
Buse
Düse



Per ulteriori composizioni doccia vedi sezione SHOWERS & THERMOSTATICS

For other shower fittings check the SHOWERS & THERMOSTATICS section

Pour d'autres solutions douche voir section SHOWERS & THERMOSTATICS

Für weitere duschaustattungen siehe abschnitt SHOWERS & THERMOSTATICS

X-Change_mono

design by treemme

- chrome **CC**
- matt black **NN**
- matt white **BB**
- polished nickel **NL**
- brushed nickel **NF**
- polished black chrome **HH**
- brushed black chrome **CZ**
- brushed gold **DZ**
- brushed rose gold **SZ**

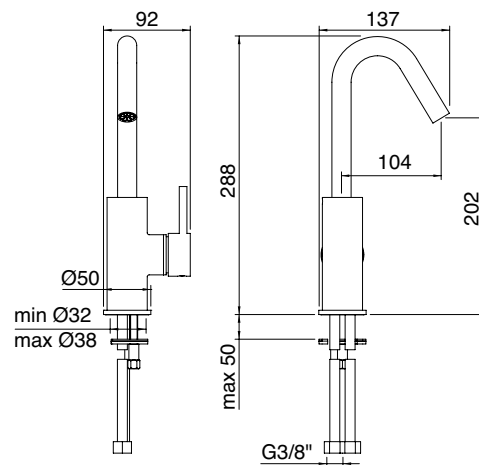


X-Change_mono



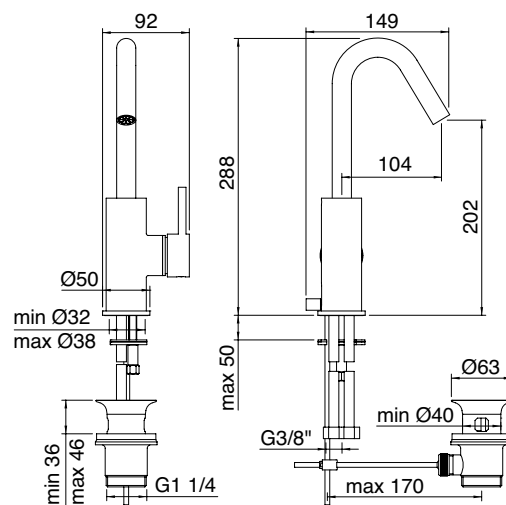
CC	IT 7511 CC EA ZZ	248,00
NN	IT 7511 NN EA ZZ	329,00
BB	IT 7511 BB EA ZZ	329,00
NL	IT 7511 NL EA ZZ	322,00
NF	IT 7511 NF EA ZZ	322,00
HH	IT 7511 HH EA ZZ	381,00
CZ	IT 7511 CZ EA ZZ	381,00
DZ	IT 7511 DZ EA ZZ	513,00
SZ	IT 7511 SZ EA ZZ	513,00

Miscelatore monocomando lavabo 202
Washbasin mixer 202
Mitigeur lavabo 202
Einhand-Waschtischmischer 202



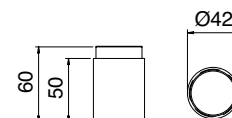
CC	IT 7510 CC EA ZZ	255,00
NN	IT 7510 NN EA ZZ	338,00
BB	IT 7510 BB EA ZZ	338,00
NL	IT 7510 NL EA ZZ	330,00
NF	IT 7510 NF EA ZZ	330,00
HH	IT 7510 HH EA ZZ	392,00
CZ	IT 7510 CZ EA ZZ	392,00
DZ	IT 7510 DZ EA ZZ	527,00
SZ	IT 7510 SZ EA ZZ	527,00

Miscelatore monocomando lavabo 202
Washbasin mixer 202
Mitigeur lavabo 202
Einhand-Waschtischmischer 202



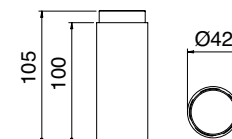
CC	RWIT 7512 CC 93	41,00
NN	RWIT 7512 NN 93	54,00
BB	RWIT 7512 BB 93	54,00
NL	RWIT 7512 NL 93	53,00
NF	RWIT 7512 NF 93	53,00
HH	RWIT 7512 HH 93	63,00
CZ	RWIT 7512 CZ 93	63,00
DZ	RWIT 7512 DZ 93	85,00
SZ	RWIT 7512 SZ 93	85,00

Prolunga per monocomando 50 mm - Basin extension 50 mm
Kit de rallonge pour mitigeur 50 mm - Verlängerung für Einhand-Mischer 50 mm



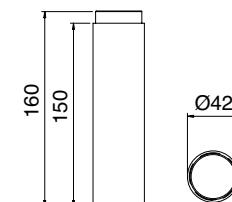
CC	RWIT 7512 CC 94	68,00
NN	RWIT 7512 NN 94	91,00
BB	RWIT 7512 BB 94	91,00
NL	RWIT 7512 NL 94	89,00
NF	RWIT 7512 NF 94	89,00
HH	RWIT 7512 HH 94	106,00
CZ	RWIT 7512 CZ 94	106,00
DZ	RWIT 7512 DZ 94	143,00
SZ	RWIT 7512 SZ 94	143,00

Prolunga per monocomando 100 mm - Basin extension 100 mm
Kit de rallonge pour mitigeur 100 mm - Verlängerung für Einhand-Mischer 100 mm



CC	RWIT 7512 CC 95	93,00
NN	RWIT 7512 NN 95	124,00
BB	RWIT 7512 BB 95	124,00
NL	RWIT 7512 NL 95	121,00
NF	RWIT 7512 NF 95	121,00
HH	RWIT 7512 HH 95	144,00
CZ	RWIT 7512 CZ 95	144,00
DZ	RWIT 7512 DZ 95	194,00
SZ	RWIT 7512 SZ 95	194,00

Prolunga per monocomando 150 mm - Basin extension 150 mm
Kit de rallonge pour mitigeur 150 mm - Verlängerung für Einhand-Mischer 150 mm





IT 7511 NN EA ZZ

RAN

HASK

PA36

UP+

TIME - TIME_OUT

NANOtech

XERO

BAMBOO

LINE

X-CHANGE_mono

RAN

HASK

PA36

UP+

TIME - TIME_OUT

NANOtech

XERO

BAMBOO

LINE

X-CHANGE_mono

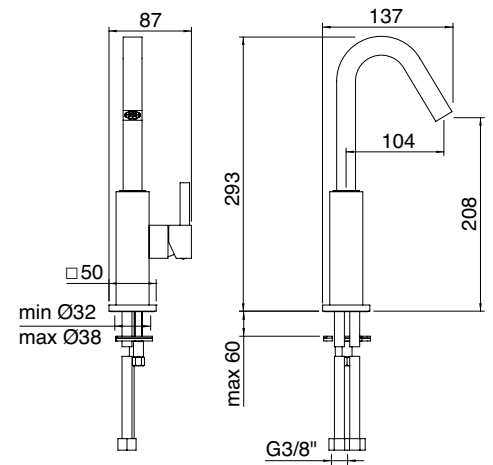


IT 7611 CC XM CL



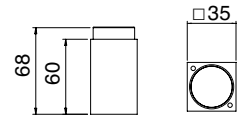
CC	IT 7611 CC XM ZZ	385,00
NN	IT 7611 NN XM ZZ	511,00
BB	IT 7611 BB XM ZZ	511,00
NL	IT 7611 NL XM ZZ	500,00
NF	IT 7611 NF XM ZZ	500,00
HH	IT 7611 HH XM ZZ	592,00
CZ	IT 7611 CZ XM ZZ	592,00
DZ	IT 7611 DZ XM ZZ	799,00
SZ	IT 7611 SZ XM ZZ	799,00

Miscelatore monocomando lavabo 208
 Washbasin mixer 208
 Mitigeur lavabo 208
 Einhand-Waschtischmischer 208



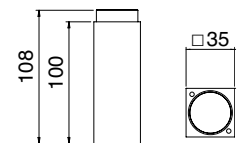
CC	RWIT 7612 CC 93	57,00
NN	RWIT 7612 NN 93	77,00
BB	RWIT 7612 BB 93	77,00
NL	RWIT 7612 NL 93	75,00
NF	RWIT 7612 NF 93	75,00
HH	RWIT 7612 HH 93	88,00
CZ	RWIT 7612 CZ 93	88,00
DZ	RWIT 7612 DZ 93	119,00
SZ	RWIT 7612 SZ 93	119,00

Prolunga per monocomando 60 mm - Basin extension 60 mm
 Kit de rallonge pour mitigeur 60 mm - Verlängerung für Einhand-Mischer 60 mm



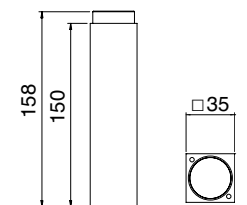
CC	RWIT 7612 CC 94	93,00
NN	RWIT 7612 NN 94	124,00
BB	RWIT 7612 BB 94	124,00
NL	RWIT 7612 NL 94	121,00
NF	RWIT 7612 NF 94	121,00
HH	RWIT 7612 HH 94	144,00
CZ	RWIT 7612 CZ 94	144,00
DZ	RWIT 7612 DZ 94	194,00
SZ	RWIT 7612 SZ 94	194,00

Prolunga per monocomando 100 mm - Basin extension 100 mm
 Kit de rallonge pour mitigeur 100 mm - Verlängerung für Einhand-Mischer 100 mm



CC	RWIT 7612 CC 95	118,00
NN	RWIT 7612 NN 95	157,00
BB	RWIT 7612 BB 95	157,00
NL	RWIT 7612 NL 95	154,00
NF	RWIT 7612 NF 95	154,00
HH	RWIT 7612 HH 95	182,00
CZ	RWIT 7612 CZ 95	182,00
DZ	RWIT 7612 DZ 95	246,00
SZ	RWIT 7612 SZ 95	246,00

Prolunga per monocomando 150 mm - Basin extension 150 mm
 Kit de rallonge pour mitigeur 150 mm - Verlängerung für Einhand-Mischer 150 mm





BB
matt white



NF
brushed nickel

X-CHANGE_mono
LINE
BAMBOO
XERO
NANOtech
TIME - TIME_OUT
UP+
PA36
HASK
RAN



NL
polished nickel



HH
polished black chrome


X-Change_mono

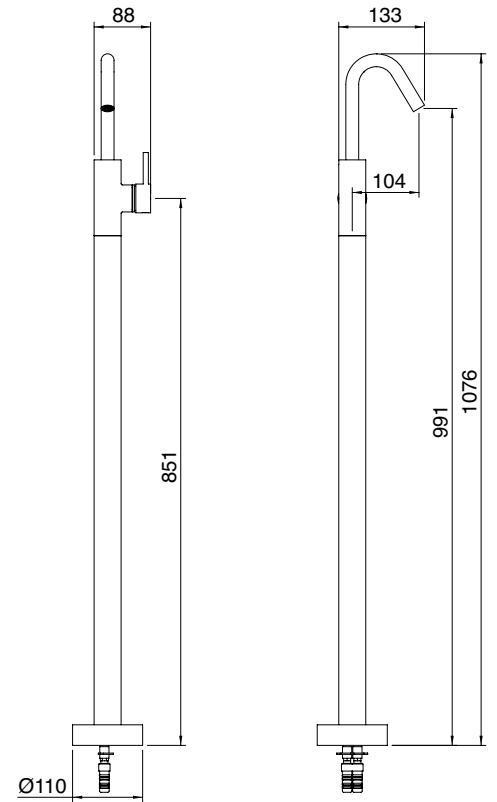


CC	RWIT 7514 CC 10	414,00
NN	RWIT 7514 NN 10	587,00
BB	RWIT 7514 BB 10	587,00
NL	RWIT 7514 NL 10	578,00
NF	RWIT 7514 NF 10	578,00
HH	RWIT 7514 HH 10	711,00
CZ	RWIT 7514 CZ 10	711,00
DZ	RWIT 7514 DZ 10	912,00
SZ	RWIT 7514 SZ 10	912,00

Miscelatore monocomando lavabo da terra
 Floor standing washbasin mixer
 Mitigeur lavabo sur colonne au sol
 Waschtisch-Einhebelmischer Standarmatur

RWIT 5703 ZZ 07 212,00


+  PARTI INCASSO - CONCEALED BODY
 CORPS À ENCASTRER - UNTERPUTZTEIL

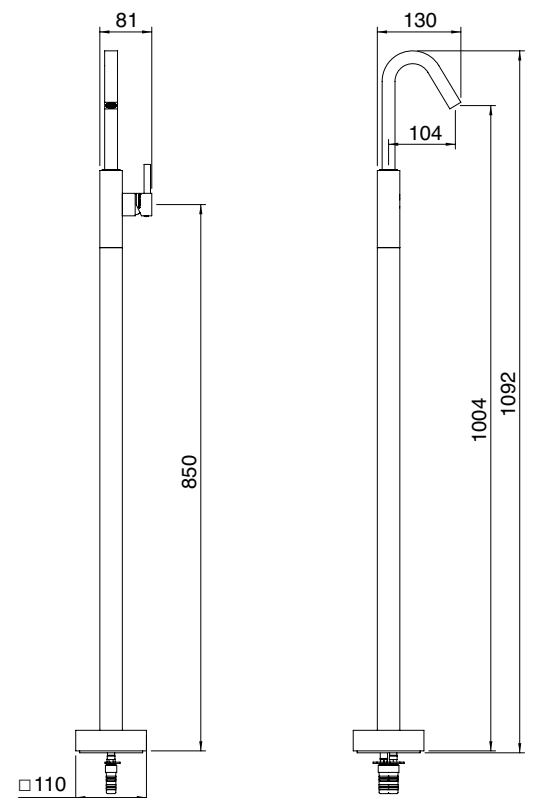


CC	RWIT 7614 CC 10	614,00
NN	RWIT 7614 NN 10	872,00
BB	RWIT 7614 BB 10	872,00
NL	RWIT 7614 NL 10	860,00
NF	RWIT 7614 NF 10	860,00
HH	RWIT 7614 HH 10	1.055,00
CZ	RWIT 7614 CZ 10	1.055,00
DZ	RWIT 7614 DZ 10	1.356,00
SZ	RWIT 7614 SZ 10	1.356,00

Miscelatore monocomando lavabo da terra
 Floor standing washbasin mixer
 Mitigeur lavabo sur colonne au sol
 Waschtisch-Einhebelmischer Standarmatur

RWIT 5703 ZZ 07 212,00

+  PARTI INCASSO - CONCEALED BODY
 CORPS À ENCASTRER - UNTERPUTZTEIL



RAN
HASK
PA36
UP+
TIME - TIME_OUT
NANOtech
XERO
BAMBOO
LINE
X-CHANGE_mono



RWIT 76C5 CC 01

X-CHANGE_mono

LINE

BAMB00

XERO

NANOtech

TIME - TIME_OUT

UP+

PA36

HASK

RAN

X-Change_mono

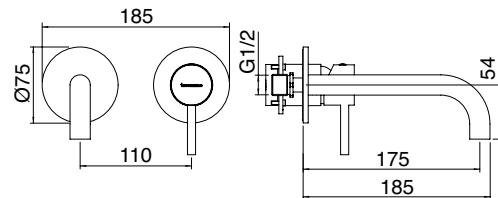
RAN
HASK
PA36
UP+
TIME - TIME_OUT
NANOtech
XERO
BAMBOO
LINE
X-CHANGE_mono



CC	RWIT 75C5 CC 01	226,00
NN	RWIT 75C5 NN 01	321,00
BB	RWIT 75C5 BB 01	321,00
NL	RWIT 75C5 NL 01	317,00
NF	RWIT 75C5 NF 01	317,00
HH	RWIT 75C5 HH 01	389,00
CZ	RWIT 75C5 CZ 01	389,00
DZ	RWIT 75C5 DZ 01	499,00
SZ	RWIT 75C5 SZ 01	499,00

Miscelatore monocomando lavabo incasso 175
Concealed washbasin mixer 175
Mitigeur lavabo à encastrer 175
UP-Einhand-Waschtischmischer 175

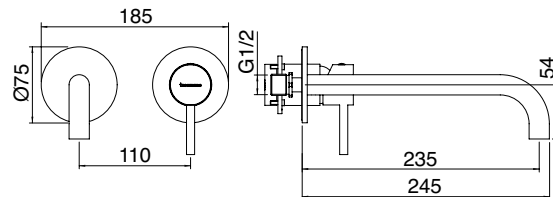
RWIT 51A5 ZZ 01 138,00
+ PARTI INCASSO - CONCEALED BODY
CORPS À ENCASTRER - UNTERPUTZTEIL



CC	RWIT 75C6 CC 01	249,00
NN	RWIT 75C6 NN 01	354,00
BB	RWIT 75C6 BB 01	354,00
NL	RWIT 75C6 NL 01	349,00
NF	RWIT 75C6 NF 01	349,00
HH	RWIT 75C6 HH 01	428,00
CZ	RWIT 75C6 CZ 01	428,00
DZ	RWIT 75C6 DZ 01	549,00
SZ	RWIT 75C6 SZ 01	549,00

Miscelatore monocomando lavabo incasso 235
Concealed washbasin mixer 235
Mitigeur lavabo à encastrer 235
UP-Einhand-Waschtischmischer 235

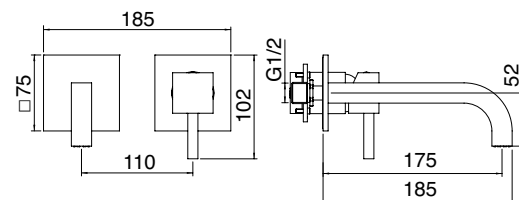
RWIT 51A5 ZZ 01 138,00
+ PARTI INCASSO - CONCEALED BODY
CORPS À ENCASTRER - UNTERPUTZTEIL



CC	RWIT 76C5 CC 01	256,00
NN	RWIT 76C5 NN 01	363,00
BB	RWIT 76C5 BB 01	363,00
NL	RWIT 76C5 NL 01	358,00
NF	RWIT 76C5 NF 01	358,00
HH	RWIT 76C5 HH 01	439,00
CZ	RWIT 76C5 CZ 01	439,00
DZ	RWIT 76C5 DZ 01	564,00
SZ	RWIT 76C5 SZ 01	564,00

Miscelatore monocomando lavabo incasso 175
Concealed washbasin mixer 175
Mitigeur lavabo à encastrer 175
UP-Einhand-Waschtischmischer 175

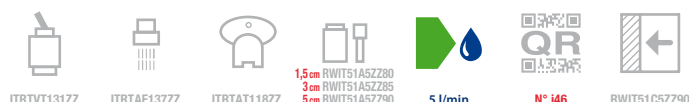
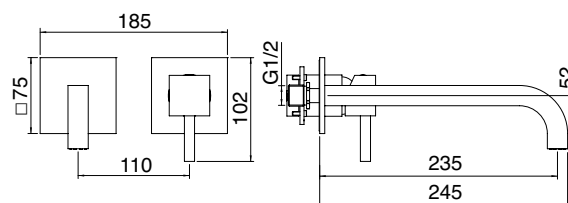
RWIT 51A5 ZZ 01 138,00
+ PARTI INCASSO - CONCEALED BODY
CORPS À ENCASTRER - UNTERPUTZTEIL



CC	RWIT 76C6 CC 01	279,00
NN	RWIT 76C6 NN 01	395,00
BB	RWIT 76C6 BB 01	395,00
NL	RWIT 76C6 NL 01	390,00
NF	RWIT 76C6 NF 01	390,00
HH	RWIT 76C6 HH 01	478,00
CZ	RWIT 76C6 CZ 01	478,00
DZ	RWIT 76C6 DZ 01	614,00
SZ	RWIT 76C6 SZ 01	614,00

Miscelatore monocomando lavabo incasso 235
Concealed washbasin mixer 235
Mitigeur lavabo à encastrer 235
UP-Einhand-Waschtischmischer 235

RWIT 51A5 ZZ 01 138,00
+ PARTI INCASSO - CONCEALED BODY
CORPS À ENCASTRER - UNTERPUTZTEIL



CC	RWIT 5865 CC 04	234,00
NN	RWIT 5865 NN 04	311,00
BB	RWIT 5865 BB 04	311,00
NL	RWIT 5865 NL 04	304,00
NF	RWIT 5865 NF 04	304,00
HH	RWIT 5865 HH 04	360,00
CZ	RWIT 5865 CZ 04	360,00
DZ	RWIT 5865 DZ 04	486,00
SZ	RWIT 5865 SZ 04	486,00



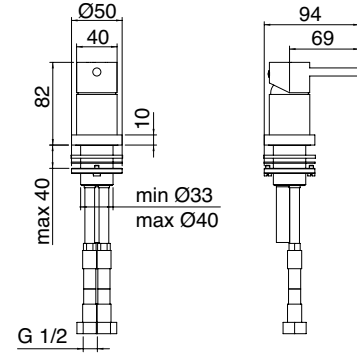
Monocomando remoto da piano
Deck mounted separate control
Mitigeur lavabo sur gorge
Waschtisch Einhebelmischer



ITRTVT131ZZ



24 l/min



CC	RWIT 7665 CC 06	258,00
NN	RWIT 7665 NN 06	342,00
BB	RWIT 7665 BB 06	342,00
NL	RWIT 7665 NL 06	334,00
NF	RWIT 7665 NF 06	334,00
HH	RWIT 7665 HH 06	396,00
CZ	RWIT 7665 CZ 06	396,00
DZ	RWIT 7665 DZ 06	535,00
SZ	RWIT 7665 SZ 06	535,00



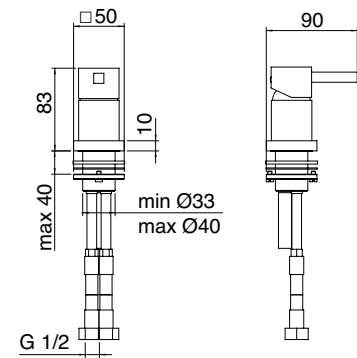
Monocomando remoto da piano
Deck mounted separate control
Mitigeur lavabo sur gorge
Waschtisch Einhebelmischer



ITRTVT131ZZ



24 l/min



CC	RWIT 58C5 CC 10	145,00
NN	RWIT 58C5 NN 10	203,00
BB	RWIT 58C5 BB 10	203,00
NL	RWIT 58C5 NL 10	201,00
NF	RWIT 58C5 NF 10	201,00
HH	RWIT 58C5 HH 10	247,00
CZ	RWIT 58C5 CZ 10	247,00
DZ	RWIT 58C5 DZ 10	317,00
SZ	RWIT 58C5 SZ 10	317,00



Monocomando remoto lavabo incasso
Concealed washbasin mixer
Mitigeur lavabo à encastrer
UP-Waschtisch Mischer



ITRTVT168ZZ



1,5 cm RWIT51A5Z280
3 cm RWIT51A5Z285
5 cm RWIT51A5Z290



24 l/min



N° 143

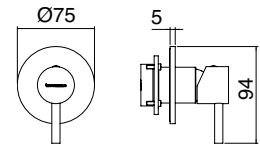


RWIT51A8ZZ90

RWIT 51A8 ZZ 03 128,00
+ PARTI INCASSO - CONCEALED BODY
CORPS À ENCASTRER - UNTERPUTZTEIL



P_790



CC	RWIT 76C8 CC 01	228,00
NN	RWIT 76C8 NN 01	323,00
BB	RWIT 76C8 BB 01	323,00
NL	RWIT 76C8 NL 01	318,00
NF	RWIT 76C8 NF 01	318,00
HH	RWIT 76C8 HH 01	391,00
CZ	RWIT 76C8 CZ 01	391,00
DZ	RWIT 76C8 DZ 01	502,00
SZ	RWIT 76C8 SZ 01	502,00



Monocomando remoto lavabo/doccia incasso
Concealed washbasin/shower mixer
Mitigeur lavabo/douche à encastrer
UP-Waschtisch/Dusche Mischer



ITRTVT131ZZ



1,5 cm RWIT51A5Z280
3 cm RWIT51A5Z285
5 cm RWIT51A5Z290



28 l/min



N° 143

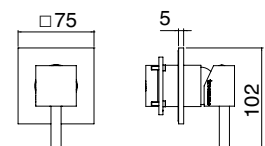


RWIT51A8ZZ90

RWIT 51A8 ZZ 03 128,00
+ PARTI INCASSO - CONCEALED BODY
CORPS À ENCASTRER - UNTERPUTZTEIL



P_790



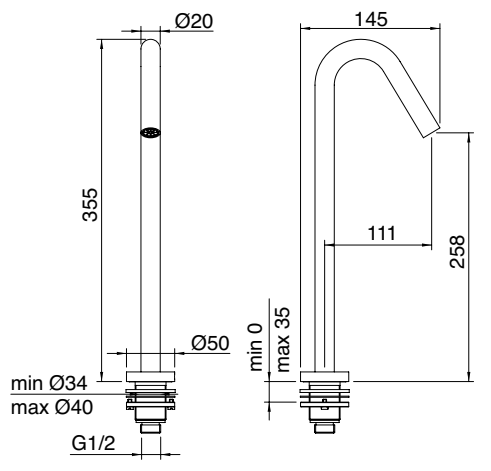


RWAA 7282 CC 75



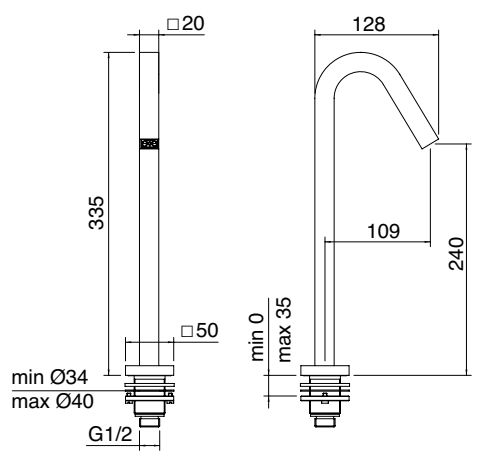
CC	RWIT 7285 CC 15	93,00
NN	RWIT 7285 NN 15	123,00
BB	RWIT 7285 BB 15	123,00
NL	RWIT 7285 NL 15	120,00
NF	RWIT 7285 NF 15	120,00
HH	RWIT 7285 HH 15	142,00
CZ	RWIT 7285 CZ 15	142,00
DZ	RWIT 7285 DZ 15	192,00
SZ	RWIT 7285 SZ 15	192,00

Bocca lavabo da piano 258
 Deck-mtd spout 258
 Bec sur gorge 258
 Einlauf 258



CC	RWIT 7385 CC 15	150,00
NN	RWIT 7385 NN 15	198,00
BB	RWIT 7385 BB 15	198,00
NL	RWIT 7385 NL 15	194,00
NF	RWIT 7385 NF 15	194,00
HH	RWIT 7385 HH 15	230,00
CZ	RWIT 7385 CZ 15	230,00
DZ	RWIT 7385 DZ 15	309,00
SZ	RWIT 7385 SZ 15	309,00

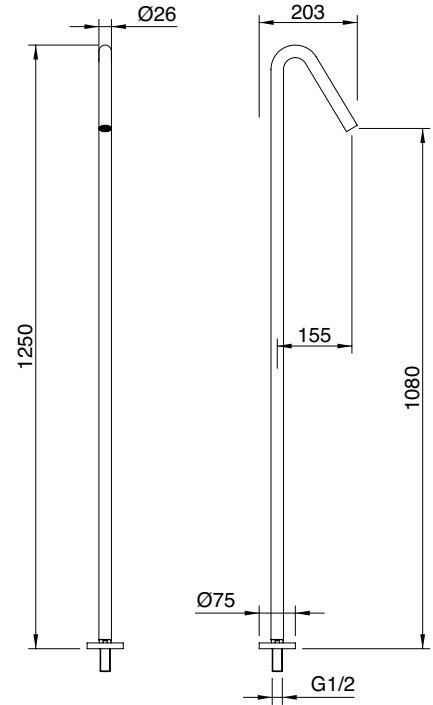
Bocca lavabo da piano 240
 Deck-mtd spout 240
 Bec sur gorge 240
 Einlauf 240





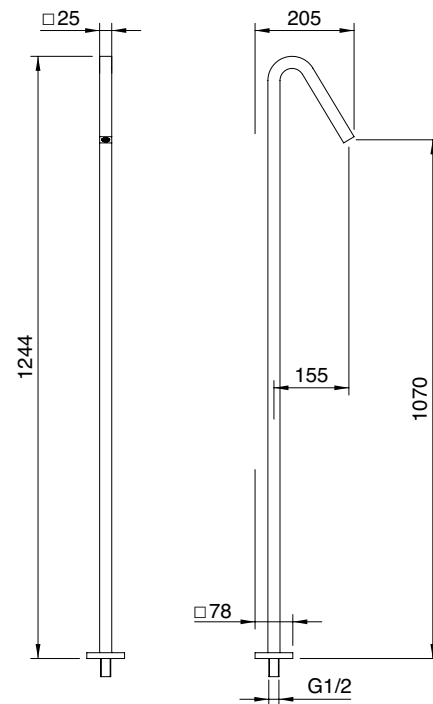
CC	RWAA 7282 CC 75	204,00
NN	RWAA 7282 NN 75	272,00
BB	RWAA 7282 BB 75	272,00
NL	RWAA 7282 NL 75	276,00
NF	RWAA 7282 NF 75	276,00
HH	RWAA 7282 HH 75	315,00
CZ	RWAA 7282 CZ 75	315,00
DZ	RWAA 7282 DZ 75	425,00
SZ	RWAA 7282 SZ 75	425,00

Bocca lavabo da terra 1080
 Floor mounted spout 1080
 Bec au sol 1080
 Bodenmontierter Auslauf 1080



CC	RWAA 7382 CC 75	314,00
NN	RWAA 7382 NN 75	418,00
BB	RWAA 7382 BB 75	418,00
NL	RWAA 7382 NL 75	423,00
NF	RWAA 7382 NF 75	423,00
HH	RWAA 7382 HH 75	484,00
CZ	RWAA 7382 CZ 75	484,00
DZ	RWAA 7382 DZ 75	652,00
SZ	RWAA 7382 SZ 75	652,00

Bocca lavabo da terra 1070
 Floor mounted spout 1070
 Bec au sol 1070
 Bodenmontierter Auslauf 1070



X-Change_mono

RAN

HASK

PA36

UP+

TIME - TIME_OUT

NANOtech

XERO

BAMBOO

LINE

X-CHANGE_mono

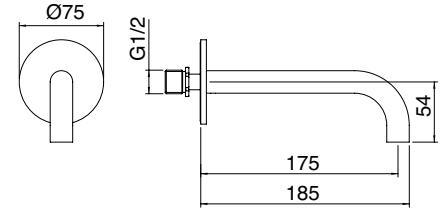


CC	IT 7563 CC ZZ ZZ	77,00
NN	IT 7563 NN ZZ ZZ	100,00
BB	IT 7563 BB ZZ ZZ	100,00
NL	IT 7563 NL ZZ ZZ	98,00
NF	IT 7563 NF ZZ ZZ	98,00
HH	IT 7563 HH ZZ ZZ	117,00
CZ	IT 7563 CZ ZZ ZZ	117,00
DZ	IT 7563 DZ ZZ ZZ	157,00
SZ	IT 7563 SZ ZZ ZZ	157,00

Bocca a muro 175
Wall-mtd. spout 175
Bec mural 175
Wandauslauf 175



ITRTAE137ZZ ITRTAT105ZZ 5 l/min

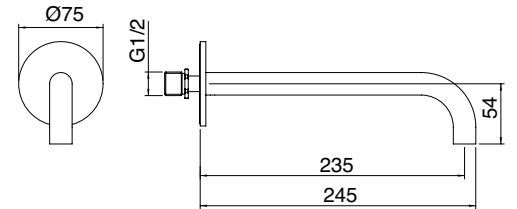


CC	IT 7561 CC ZZ ZZ	83,00
NN	IT 7561 NN ZZ ZZ	110,00
BB	IT 7561 BB ZZ ZZ	110,00
NL	IT 7561 NL ZZ ZZ	107,00
NF	IT 7561 NF ZZ ZZ	107,00
HH	IT 7561 HH ZZ ZZ	127,00
CZ	IT 7561 CZ ZZ ZZ	127,00
DZ	IT 7561 DZ ZZ ZZ	170,00
SZ	IT 7561 SZ ZZ ZZ	170,00

Bocca a muro 235
Wall-mtd. spout 235
Bec mural 235
Wandauslauf 235



ITRTAE137ZZ ITRTAT105ZZ 5 l/min

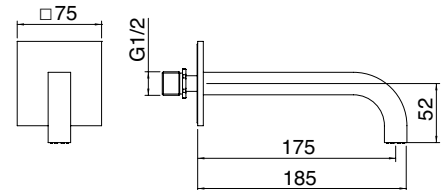


CC	IT 7663 CC ZZ ZZ	149,00
NN	IT 7663 NN ZZ ZZ	197,00
BB	IT 7663 BB ZZ ZZ	197,00
NL	IT 7663 NL ZZ ZZ	193,00
NF	IT 7663 NF ZZ ZZ	193,00
HH	IT 7663 HH ZZ ZZ	228,00
CZ	IT 7663 CZ ZZ ZZ	228,00
DZ	IT 7663 DZ ZZ ZZ	307,00
SZ	IT 7663 SZ ZZ ZZ	307,00

Bocca a muro 175
Wall-mtd. spout 175
Bec mural 175
Wandauslauf 175



ITRTAE137ZZ ITRTAT105ZZ 5 l/min

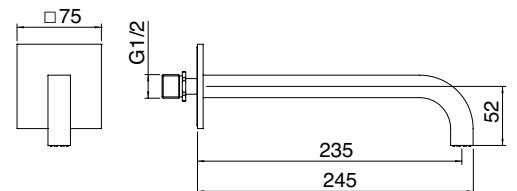


CC	IT 7661 CC ZZ ZZ	157,00
NN	IT 7661 NN ZZ ZZ	209,00
BB	IT 7661 BB ZZ ZZ	209,00
NL	IT 7661 NL ZZ ZZ	204,00
NF	IT 7661 NF ZZ ZZ	204,00
HH	IT 7661 HH ZZ ZZ	242,00
CZ	IT 7661 CZ ZZ ZZ	242,00
DZ	IT 7661 DZ ZZ ZZ	326,00
SZ	IT 7661 SZ ZZ ZZ	326,00

Bocca a muro 235
Wall-mtd. spout 235
Bec mural 235
Wandauslauf 235



ITRTAE137ZZ ITRTAT105ZZ 5 l/min



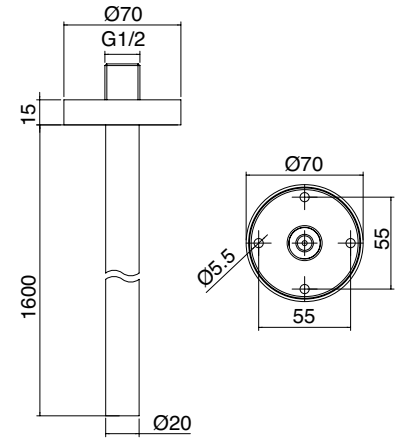


CC	IT 6576 CC ZZ ZZ	163,00
NN	IT 6576 NN ZZ ZZ	209,00
BB	IT 6576 BB ZZ ZZ	209,00
NL	IT 6576 NL ZZ ZZ	217,00
NF	IT 6576 NF ZZ ZZ	217,00
HH	IT 6576 HH ZZ ZZ	252,00
CZ	IT 6576 CZ ZZ ZZ	252,00
DZ	IT 6576 DZ ZZ ZZ	339,00
SZ	IT 6576 SZ ZZ ZZ	339,00

Bocca a soffitto con rosone
Ceiling spout
Bec au plafond
Deckenauslauf



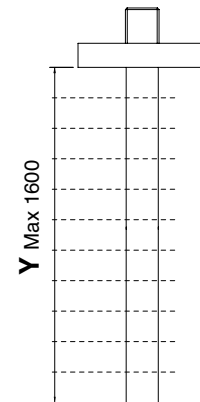
ITRTAE13ZZ ITRTAT105ZZ 5l/min



CC	IT 6576 CC ZZ YY	248,00
NN	IT 6576 NN ZZ YY	330,00
BB	IT 6576 BB ZZ YY	330,00
NL	IT 6576 NL ZZ YY	323,00
NF	IT 6576 NF ZZ YY	323,00
HH	IT 6576 HH ZZ YY	382,00
CZ	IT 6576 CZ ZZ YY	382,00
DZ	IT 6576 DZ ZZ YY	515,00
SZ	IT 6576 SZ ZZ YY	515,00

"DIMENSIONI SU MISURA"
"CUSTOMIZED SIZE"
"DIMENSIONS SUR MESURE"
"LÄNGE NACH MASS"

Y: Altezza - Height - Hauteur - Länge
= ___ CM

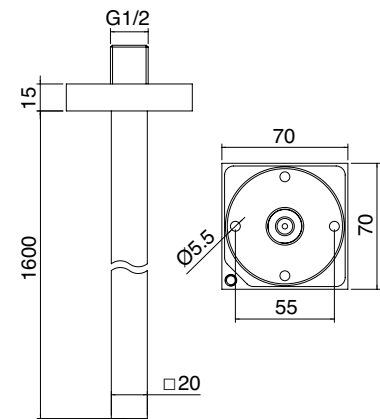


CC	IT 6577 CC ZZ ZZ	295,00
NN	IT 6577 NN ZZ ZZ	392,00
BB	IT 6577 BB ZZ ZZ	392,00
NL	IT 6577 NL ZZ ZZ	382,00
NF	IT 6577 NF ZZ ZZ	382,00
HH	IT 6577 HH ZZ ZZ	453,00
CZ	IT 6577 CZ ZZ ZZ	453,00
DZ	IT 6577 DZ ZZ ZZ	611,00
SZ	IT 6577 SZ ZZ ZZ	611,00

Bocca a soffitto con rosone
Ceiling spout
Bec au plafond
Deckenauslauf



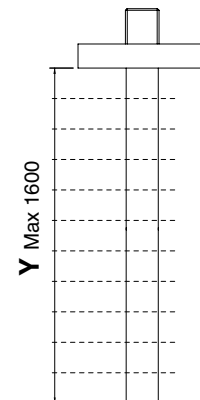
ITRTAE13ZZ ITRTAT105ZZ 5l/min



CC	IT 6577 CC ZZ YY	380,00
NN	IT 6577 NN ZZ YY	504,00
BB	IT 6577 BB ZZ YY	504,00
NL	IT 6577 NL ZZ YY	492,00
NF	IT 6577 NF ZZ YY	492,00
HH	IT 6577 HH ZZ YY	583,00
CZ	IT 6577 CZ ZZ YY	583,00
DZ	IT 6577 DZ ZZ YY	787,00
SZ	IT 6577 SZ ZZ YY	787,00

"DIMENSIONI SU MISURA"
"CUSTOMIZED SIZE"
"DIMENSIONS SUR MESURE"
"LÄNGE NACH MASS"

Y: Altezza - Height - Hauteur - Länge
= ___ CM





IT 6576 CC ZZ ZZ



CC	IT 7520 CC EA ZZ	257,00
NN	IT 7520 NN EA ZZ	340,00
BB	IT 7520 BB EA ZZ	340,00
NL	IT 7520 NL EA ZZ	333,00
NF	IT 7520 NF EA ZZ	333,00
HH	IT 7520 HH EA ZZ	395,00
CZ	IT 7520 CZ EA ZZ	395,00
DZ	IT 7520 DZ EA ZZ	533,00
SZ	IT 7520 SZ EA ZZ	533,00

Miscelatore monocomando bidet
 Bidet mixer
 Mitigeur bidet
 Einhand-Bidetmischer



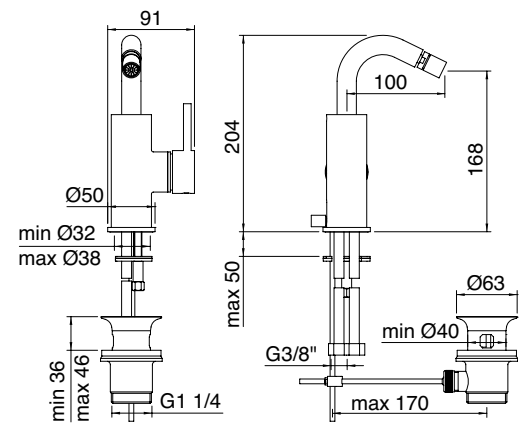
ITRTVT131ZZ

43° ITRTAE110
+ ITRTAE106

5 l/min



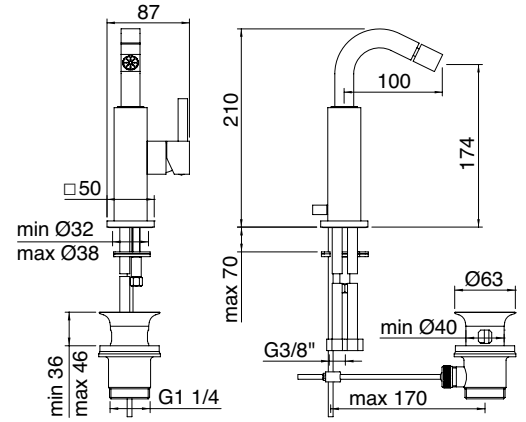
ITRTSA108





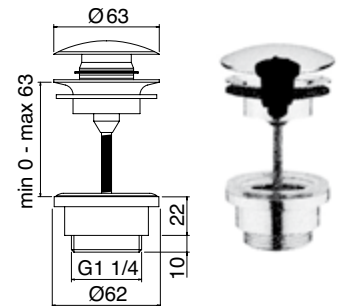
CC	IT 7620 CC XM ZZ	395,00
NN	IT 7620 NN XM ZZ	524,00
BB	IT 7620 BB XM ZZ	524,00
NL	IT 7620 NL XM ZZ	512,00
NF	IT 7620 NF XM ZZ	512,00
HH	IT 7620 HH XM ZZ	607,00
CZ	IT 7620 CZ XM ZZ	607,00
DZ	IT 7620 DZ XM ZZ	819,00
SZ	IT 7620 SZ XM ZZ	819,00

Miscelatore monocomando bidet
Bidet mixer
Mitigeur bidet
Einhand-Bidetmischer



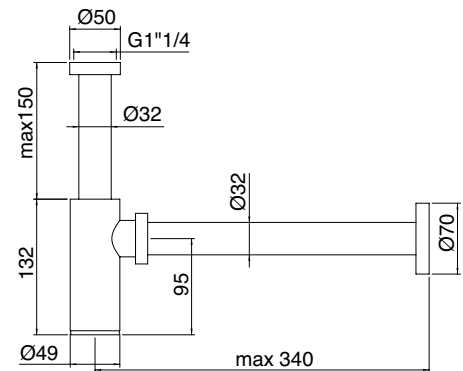
CC	IT RTSA 117 CC	28,00
NN	IT RTSA 117 NN	38,00
BB	IT RTSA 117 BB	38,00
NL	IT RTSA 117 NL	39,00
NF	IT RTSA 117 NF	39,00
HH	IT RTSA 117 HH	45,00
CZ	IT RTSA 117 CZ	45,00
DZ	IT RTSA 117 DZ	59,00
SZ	IT RTSA 117 SZ	59,00

Scarico click-clack universale con inserto per sempre aperto
Universal up/down pop-up waste with adaptor for continuous water flow
Bonde click-clack universelle avec option écoulement libre
Universal-Ablaufgarnitur Click-Clack mit Verschlussperre



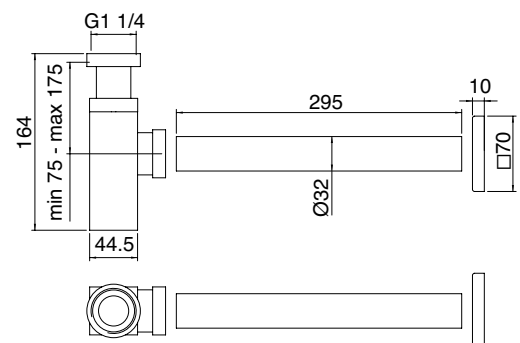
CC	IT 0405 CC ZZ ZZ	88,00
NN	IT 0405 NN ZZ ZZ	177,00
BB	IT 0405 BB ZZ ZZ	177,00
NL	IT 0405 NL ZZ ZZ	167,00
NF	IT 0405 NF ZZ ZZ	167,00
HH	IT 0405 HH ZZ ZZ	136,00
CZ	IT 0405 CZ ZZ ZZ	136,00
DZ	IT 0405 DZ ZZ ZZ	184,00
SZ	IT 0405 SZ ZZ ZZ	184,00

Sifone a vista
Drain-trap
Siphon
Siphon für Waschtisch



CC	IT 0465 CC ZZ ZZ	134,00
NN	IT 0465 NN ZZ ZZ	180,00
BB	IT 0465 BB ZZ ZZ	180,00
NL	IT 0465 NL ZZ ZZ	175,00
NF	IT 0465 NF ZZ ZZ	175,00
HH	IT 0465 HH ZZ ZZ	208,00
CZ	IT 0465 CZ ZZ ZZ	208,00
DZ	IT 0465 DZ ZZ ZZ	280,00
SZ	IT 0465 SZ ZZ ZZ	280,00

Sifone a vista
Drain-trap
Siphon
Siphon für Waschtisch



X-Change_mono

RAN

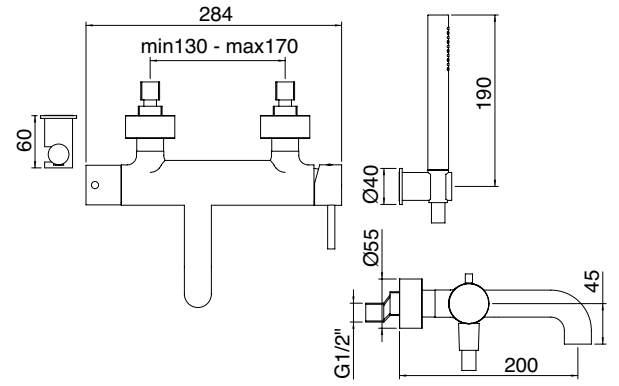
HASK

PA36



CC	IT 6B00 CC UP ZZ	476,00
NN	IT 6B00 NN UP ZZ	632,00
BB	IT 6B00 BB UP ZZ	632,00
NL	IT 6B00 NL UP ZZ	618,00
NF	IT 6B00 NF UP ZZ	618,00
HH	IT 6B00 HH UP ZZ	732,00
CZ	IT 6B00 CZ UP ZZ	732,00
DZ	IT 6B00 DZ UP ZZ	988,00
SZ	IT 6B00 SZ UP ZZ	988,00

Miscelatore monocomando esterno vasca
Wall-mtd. bathtub mixer
Mitigeur bain/douche mural
AP-Badewannen-Einhandbatterie



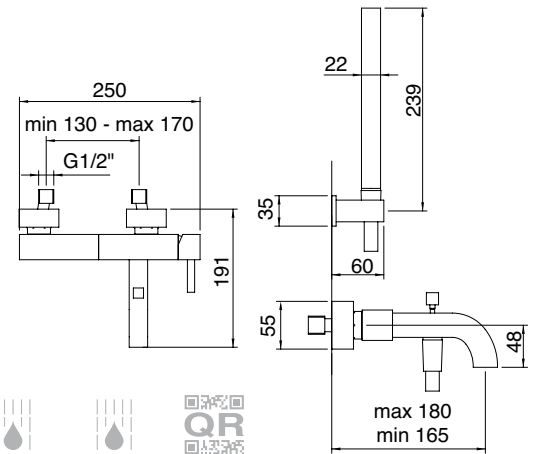
UP+

TIME - TIME_OUT



CC	IT 7600 CC MT ZZ	622,00
NN	IT 7600 NN MT ZZ	827,00
BB	IT 7600 BB MT ZZ	827,00
NL	IT 7600 NL MT ZZ	808,00
NF	IT 7600 NF MT ZZ	808,00
HH	IT 7600 HH MT ZZ	957,00
CZ	IT 7600 CZ MT ZZ	957,00
DZ	IT 7600 DZ MT ZZ	1.292,00
SZ	IT 7600 SZ MT ZZ	1.292,00

Miscelatore monocomando esterno vasca
Wall-mtd. bathtub mixer
Mitigeur bain/douche mural
AP-Badewannen-Einhandbatterie



NANOtech

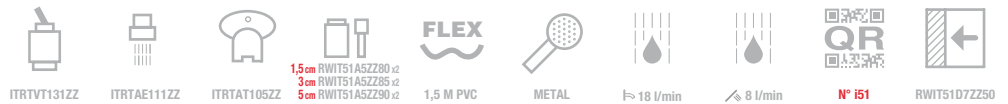
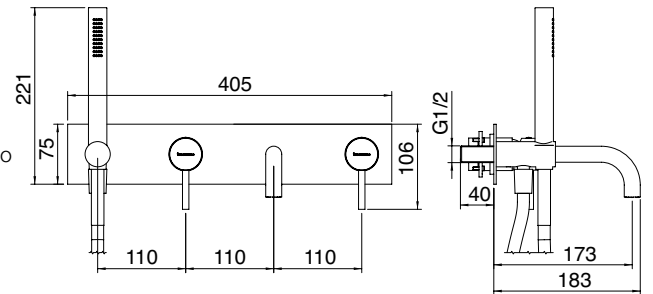
XERO



CC	RWIT 75D7 CC 01	377,00
NN	RWIT 75D7 NN 01	536,00
BB	RWIT 75D7 BB 01	536,00
NL	RWIT 75D7 NL 01	528,00
NF	RWIT 75D7 NF 01	528,00
HH	RWIT 75D7 HH 01	649,00
CZ	RWIT 75D7 CZ 01	649,00
DZ	RWIT 75D7 DZ 01	834,00
SZ	RWIT 75D7 SZ 01	834,00

Miscelatore monocomando vasca/doccia incasso
Concealed bath/shower mixer
Mitigeur bain/douche à encastrer
Wanne / Brause EHM UP

RWIT 51D7 ZZ 12 305,00
+ PARTI INCASSO - CONCEALED BODY
CORPS À ENCASTRER - UNTERPUTZTEIL



BAMBOO

LINE

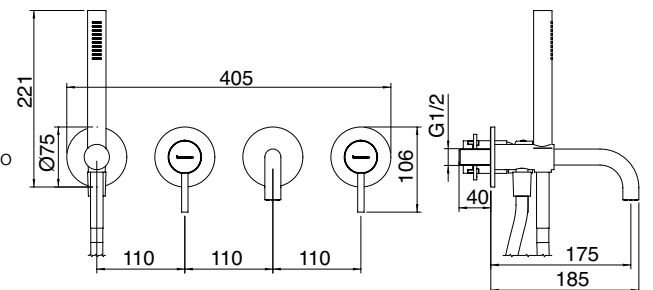
X-CHANGE_mono



CC	RWIT 75D8 CC 01	478,00
NN	RWIT 75D8 NN 01	679,00
BB	RWIT 75D8 BB 01	679,00
NL	RWIT 75D8 NL 01	669,00
NF	RWIT 75D8 NF 01	669,00
HH	RWIT 75D8 HH 01	821,00
CZ	RWIT 75D8 CZ 01	821,00
DZ	RWIT 75D8 DZ 01	1.055,00
SZ	RWIT 75D8 SZ 01	1.055,00

Miscelatore monocomando vasca/doccia incasso
Concealed bath/shower mixer
Mitigeur bain/douche à encastrer
Wanne / Brause EHM UP

RWIT 51D7 ZZ 12 305,00
+ PARTI INCASSO - CONCEALED BODY
CORPS À ENCASTRER - UNTERPUTZTEIL





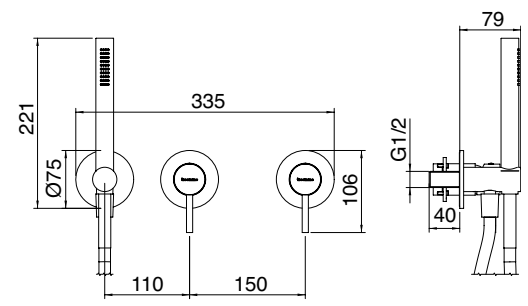
IT 6B00 NL UP ZZ

CC	RWIT 58D9 CC 01	412,00
NN	RWIT 58D9 NN 01	586,00
BB	RWIT 58D9 BB 01	586,00
NL	RWIT 58D9 NL 01	577,00
NF	RWIT 58D9 NF 01	577,00
HH	RWIT 58D9 HH 01	709,00
CZ	RWIT 58D9 CZ 01	709,00
DZ	RWIT 58D9 DZ 01	910,00
SZ	RWIT 58D9 SZ 01	910,00

RWIT 51D9 ZZ 01 293,00
 + PARTI INCASSO - CONCEALED BODY
 CORPS À ENCASTRER - UNTERPUTZTEIL



Miscelatore monocomando vasca/doccia incasso
 Concealed bath/shower mixer
 Mitigeur bain/douche à encastrer
 Wanne / Brause EHM UP



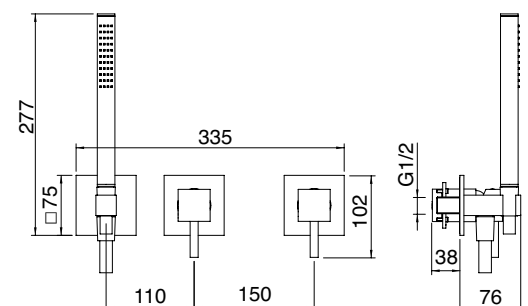
ITRTVT131ZZ 1,5cm RWIT51ASZZ80 42 3cm RWIT51ASZZ85 42 5cm RWIT51ASZZ90 42 1,5 M PVC METAL MAX 28 l/min 8 l/min N° 153 RWIT51D9ZZ50

CC	RWIT 76D9 CC 01	587,00
NN	RWIT 76D9 NN 01	832,00
BB	RWIT 76D9 BB 01	832,00
NL	RWIT 76D9 NL 01	820,00
NF	RWIT 76D9 NF 01	820,00
HH	RWIT 76D9 HH 01	1.008,00
CZ	RWIT 76D9 CZ 01	1.008,00
DZ	RWIT 76D9 DZ 01	1.294,00
SZ	RWIT 76D9 SZ 01	1.294,00

RWIT 51D9 ZZ 01 293,00
 + PARTI INCASSO - CONCEALED BODY
 CORPS À ENCASTRER - UNTERPUTZTEIL



Miscelatore monocomando vasca/doccia incasso
 Concealed bath/shower mixer
 Mitigeur bain/douche à encastrer
 Wanne / Brause EHM UP



ITRTVT131ZZ 1,5cm RWIT51ASZZ80 42 3cm RWIT51ASZZ85 42 5cm RWIT51ASZZ90 42 1,5 M PVC METAL MAX 28 l/min 8 l/min N° 153 RWIT51D9ZZ50


X-Change_mono

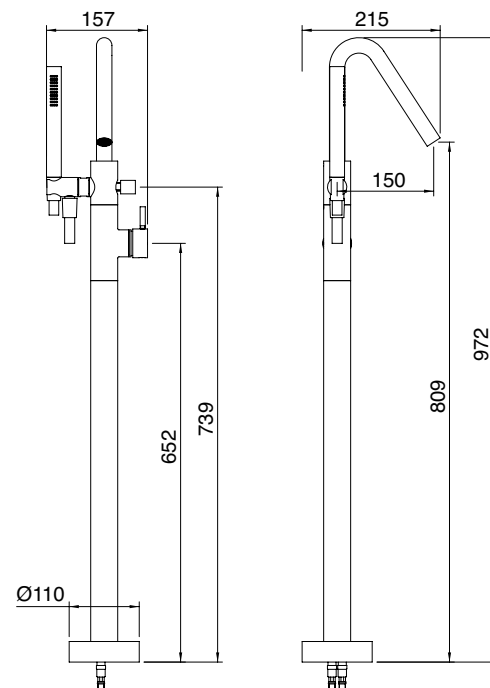


CC	RWIT 7503 CC 10	635,00
NN	RWIT 7503 NN 10	902,00
BB	RWIT 7503 BB 10	902,00
NL	RWIT 7503 NL 10	889,00
NF	RWIT 7503 NF 10	889,00
HH	RWIT 7503 HH 10	1.091,00
CZ	RWIT 7503 CZ 10	1.091,00
DZ	RWIT 7503 DZ 10	1.402,00
SZ	RWIT 7503 SZ 10	1.402,00

Miscelatore monocomando vasca da terra
 Floor standing bathub mixer
 Mitigeur bain douche sur colonne au sol
 Einhebel - Wannenstandarmatur

RWIT 5703 ZZ 07 212,00

+  PARTI INCASSO - CONCEALED BODY
 CORPS À ENCASTRER - UNTERPUTZTEIL

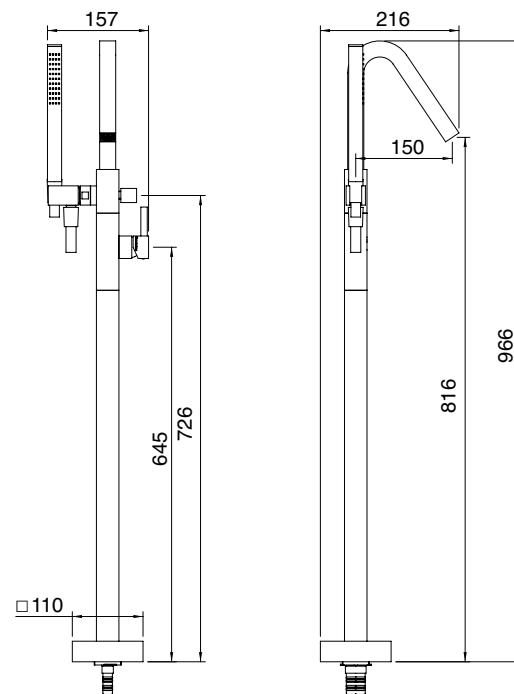


CC	RWIT 7603 CC 10	1.020,00
NN	RWIT 7603 NN 10	1.449,00
BB	RWIT 7603 BB 10	1.449,00
NL	RWIT 7603 NL 10	1.429,00
NF	RWIT 7603 NF 10	1.429,00
HH	RWIT 7603 HH 10	1.755,00
CZ	RWIT 7603 CZ 10	1.755,00
DZ	RWIT 7603 DZ 10	2.254,00
SZ	RWIT 7603 SZ 10	2.254,00

Miscelatore monocomando vasca da terra
 Floor standing bathub mixer
 Mitigeur bain douche sur colonne au sol
 Einhebel - Wannenstandarmatur

RWIT 5703 ZZ 07 212,00

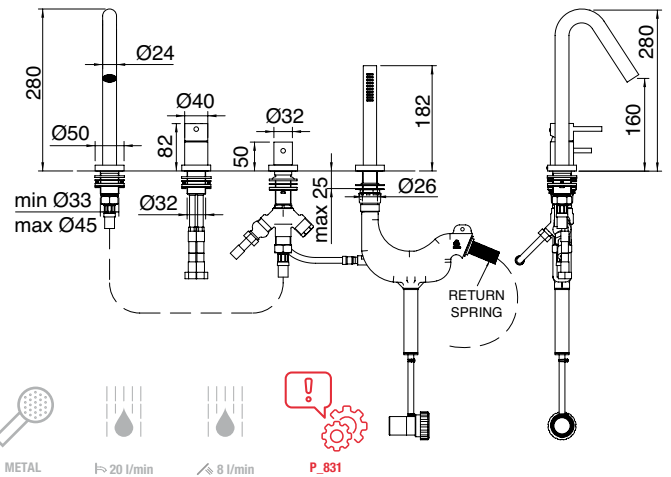
+  PARTI INCASSO - CONCEALED BODY
 CORPS À ENCASTRER - UNTERPUTZTEIL





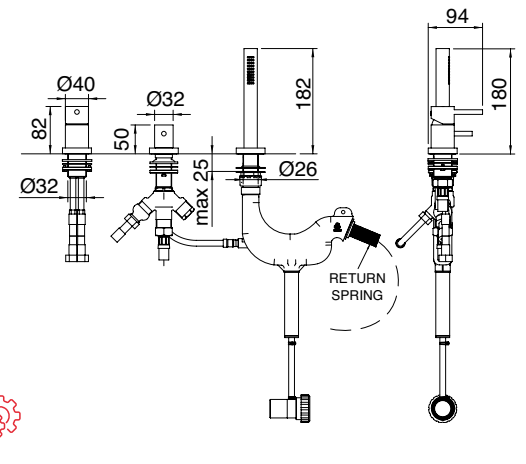
CC	IT 5868 CC VL ZZ	870,00
NN	IT 5868 NN VL ZZ	1.157,00
BB	IT 5868 BB VL ZZ	1.157,00
NL	IT 5868 NL VL ZZ	1.130,00
NF	IT 5868 NF VL ZZ	1.130,00
HH	IT 5868 HH VL ZZ	1.339,00
CZ	IT 5868 CZ VL ZZ	1.339,00
DZ	IT 5868 DZ VL ZZ	1.809,00
SZ	IT 5868 SZ VL ZZ	1.809,00

Batteria bordo vasca 4 fori con doccetta estraibile
4 hole deck-mounted bathtub
Mitigeur bain/douche 4 trous sur gorge
Vierloch Wannendarmatur



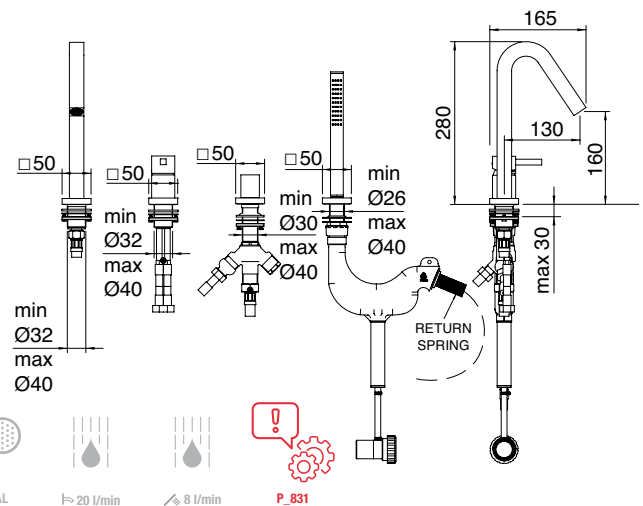
CC	IT 5869 CC VL ZZ	775,00
NN	IT 5869 NN VL ZZ	1.032,00
BB	IT 5869 BB VL ZZ	1.032,00
NL	IT 5869 NL VL ZZ	1.008,00
NF	IT 5869 NF VL ZZ	1.008,00
HH	IT 5869 HH VL ZZ	1.193,00
CZ	IT 5869 CZ VL ZZ	1.193,00
DZ	IT 5869 DZ VL ZZ	1.611,00
SZ	IT 5869 SZ VL ZZ	1.611,00

Batteria bordo vasca con doccetta estraibile senza bocca
Deck-mounted bathtub without spout
Mitigeur bain/douche sur gorge sans bec
Wannendarmatur ohne Auslauf



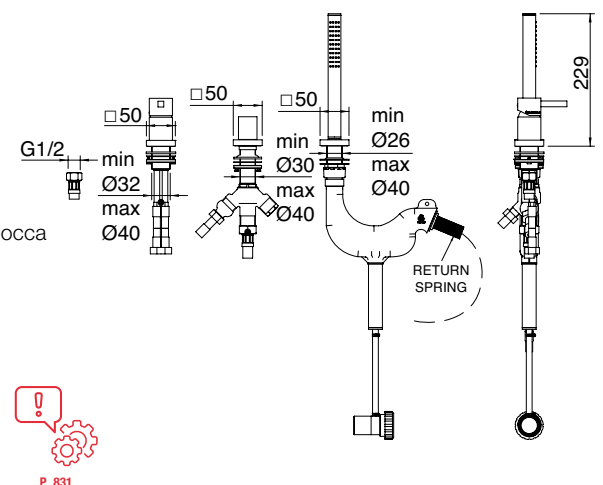
CC	IT 7668 CC MT ZZ	847,00
NN	IT 7668 NN MT ZZ	1.127,00
BB	IT 7668 BB MT ZZ	1.127,00
NL	IT 7668 NL MT ZZ	1.103,00
NF	IT 7668 NF MT ZZ	1.103,00
HH	IT 7668 HH MT ZZ	1.304,00
CZ	IT 7668 CZ MT ZZ	1.304,00
DZ	IT 7668 DZ MT ZZ	1.762,00
SZ	IT 7668 SZ MT ZZ	1.762,00

Batteria bordo vasca 4 fori con doccetta estraibile
4 hole deck-mounted bathtub
Mitigeur bain/douche 4 trous sur gorge
Vierloch Wannendarmatur



CC	IT 7669 CC MT ZZ	672,00
NN	IT 7669 NN MT ZZ	894,00
BB	IT 7669 BB MT ZZ	894,00
NL	IT 7669 NL MT ZZ	873,00
NF	IT 7669 NF MT ZZ	873,00
HH	IT 7669 HH MT ZZ	1.035,00
CZ	IT 7669 CZ MT ZZ	1.035,00
DZ	IT 7669 DZ MT ZZ	1.396,00
SZ	IT 7669 SZ MT ZZ	1.396,00

Batteria bordo vasca con doccetta estraibile senza bocca
Deck-mounted bathtub without spout
Mitigeur bain/douche sur gorge sans bec
Wannendarmatur ohne Auslauf



X-CHANGE_mono
LINE
BAMBOO
XERO
NANOtech
TIME - TIME_OUT
UP+
PA36
HASK
RAN



RWIT 7603 CC 10



CC	RWIT 2765 CC 25	222,00
NN	RWIT 2765 NN 25	295,00
BB	RWIT 2765 BB 25	295,00
NL	RWIT 2765 NL 25	289,00
NF	RWIT 2765 NF 25	289,00
HH	RWIT 2765 HH 25	341,00
CZ	RWIT 2765 CZ 25	341,00
DZ	RWIT 2765 DZ 25	460,00
SZ	RWIT 2765 SZ 25	460,00

Doccetta estraibile bordo vasca
Deck-mounted retractable handshower
Douchette extractible sur gorge
Versenkbare Schlauchbrause



1,5 M PVC



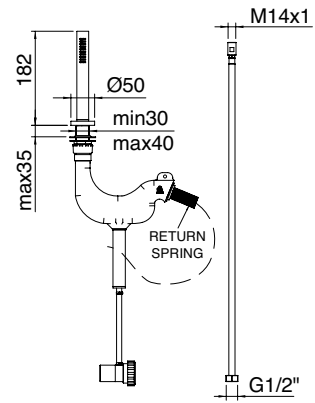
METAL



8 l/min



P_831



CC	RWIT 5665 CC 25	187,00
NN	RWIT 5665 NN 25	247,00
BB	RWIT 5665 BB 25	247,00
NL	RWIT 5665 NL 25	242,00
NF	RWIT 5665 NF 25	242,00
HH	RWIT 5665 HH 25	287,00
CZ	RWIT 5665 CZ 25	287,00
DZ	RWIT 5665 DZ 25	386,00
SZ	RWIT 5665 SZ 25	386,00

Doccetta estraibile bordo vasca
Deck-mounted retractable handshower
Douchette extractible sur gorge
Versenkbare Schlauchbrause



1,5 M PVC



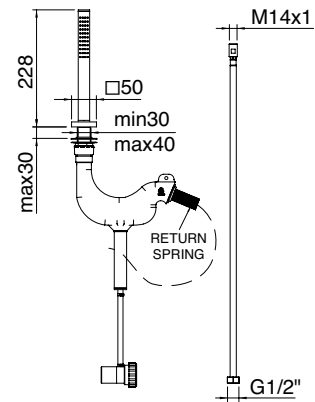
METAL



8 l/min



P_831



CC	RWIT 5865 CC 04	234,00
NN	RWIT 5865 NN 04	311,00
BB	RWIT 5865 BB 04	311,00
NL	RWIT 5865 NL 04	304,00
NF	RWIT 5865 NF 04	304,00
HH	RWIT 5865 HH 04	360,00
CZ	RWIT 5865 CZ 04	360,00
DZ	RWIT 5865 DZ 04	486,00
SZ	RWIT 5865 SZ 04	486,00

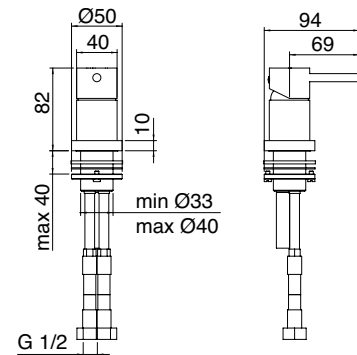
Monocomando remoto da piano per vasca
Deck mounted control mixer
Mitigeur lavabo seul sur gorge
Waschtisch Einhebelmischer für separaten Auslauf



ITRTV131ZZ



24 l/min



CC	RWIT 7665 CC 06	258,00
NN	RWIT 7665 NN 06	342,00
BB	RWIT 7665 BB 06	342,00
NL	RWIT 7665 NL 06	334,00
NF	RWIT 7665 NF 06	334,00
HH	RWIT 7665 HH 06	396,00
CZ	RWIT 7665 CZ 06	396,00
DZ	RWIT 7665 DZ 06	535,00
SZ	RWIT 7665 SZ 06	535,00

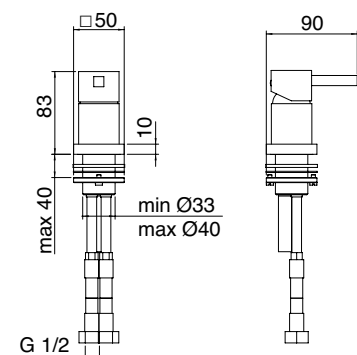
Monocomando remoto da piano per vasca
Deck mounted control mixer
Mitigeur lavabo seul sur gorge
Waschtisch Einhebelmischer für separaten Auslauf



ITRTV131ZZ



24 l/min



X-Change_mono

RAN

HASK

PA36

UP+

TIME - TIME_OUT

NANOtech

XERO

BAMBOO

LINE

X-CHANGE_mono



CC	IT 7563 CC ZZ HF	77,00
NN	IT 7563 NN ZZ HF	100,00
BB	IT 7563 BB ZZ HF	100,00
NL	IT 7563 NL ZZ HF	98,00
NF	IT 7563 NF ZZ HF	98,00
HH	IT 7563 HH ZZ HF	117,00
CZ	IT 7563 CZ ZZ HF	117,00
DZ	IT 7563 DZ ZZ HF	157,00
SZ	IT 7563 SZ ZZ HF	157,00

Bocca a muro 175
Wall-mtd. spout 175
Bec mural 175
Wandauslauf 175



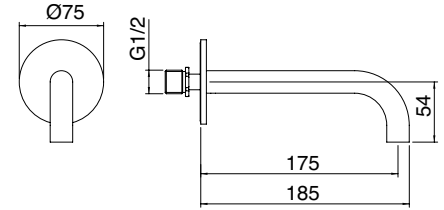
ITRTAE111ZZ



ITRTAT105ZZ



18 l/min



CC	IT 7561 CC ZZ HF	83,00
NN	IT 7561 NN ZZ HF	110,00
BB	IT 7561 BB ZZ HF	110,00
NL	IT 7561 NL ZZ HF	107,00
NF	IT 7561 NF ZZ HF	107,00
HH	IT 7561 HH ZZ HF	127,00
CZ	IT 7561 CZ ZZ HF	127,00
DZ	IT 7561 DZ ZZ HF	170,00
SZ	IT 7561 SZ ZZ HF	170,00

Bocca a muro 235
Wall-mtd. spout 235
Bec mural 235
Wandauslauf 235



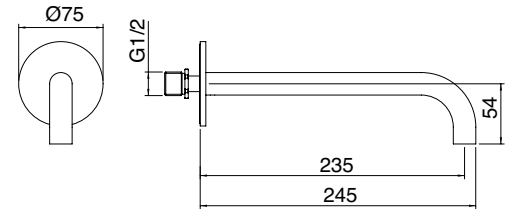
ITRTAE111ZZ



ITRTAT105ZZ



18 l/min



CC	IT 7663 CC ZZ HF	149,00
NN	IT 7663 NN ZZ HF	197,00
BB	IT 7663 BB ZZ HF	197,00
NL	IT 7663 NL ZZ HF	193,00
NF	IT 7663 NF ZZ HF	193,00
HH	IT 7663 HH ZZ HF	228,00
CZ	IT 7663 CZ ZZ HF	228,00
DZ	IT 7663 DZ ZZ HF	307,00
SZ	IT 7663 SZ ZZ HF	307,00

Bocca a muro 175
Wall-mtd. spout 175
Bec mural 175
Wandauslauf 175



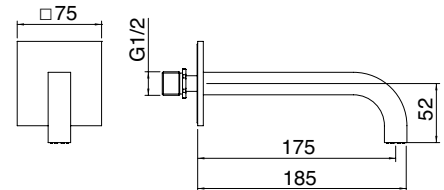
ITRTAE111ZZ



ITRTAT105ZZ



18 l/min



CC	IT 7661 CC ZZ HF	157,00
NN	IT 7661 NN ZZ HF	209,00
BB	IT 7661 BB ZZ HF	209,00
NL	IT 7661 NL ZZ HF	204,00
NF	IT 7661 NF ZZ HF	204,00
HH	IT 7661 HH ZZ HF	242,00
CZ	IT 7661 CZ ZZ HF	242,00
DZ	IT 7661 DZ ZZ HF	326,00
SZ	IT 7661 SZ ZZ HF	326,00

Bocca a muro 235
Wall-mtd. spout 235
Bec mural 235
Wandauslauf 235



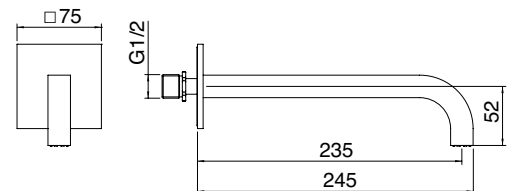
ITRTAE111ZZ



ITRTAT105ZZ



18 l/min



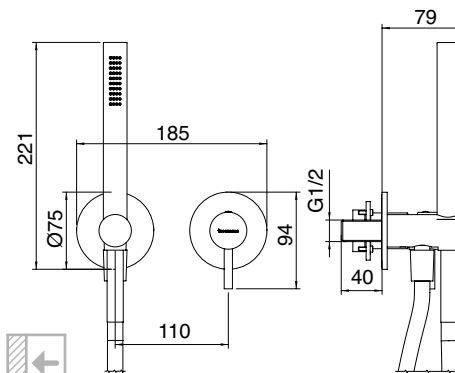


CC	RWIT 58D4 CC 01	246,00
NN	RWIT 58D4 NN 01	350,00
BB	RWIT 58D4 BB 01	350,00
NL	RWIT 58D4 NL 01	345,00
NF	RWIT 58D4 NF 01	345,00
HH	RWIT 58D4 HH 01	423,00
CZ	RWIT 58D4 CZ 01	423,00
DZ	RWIT 58D4 DZ 01	543,00
SZ	RWIT 58D4 SZ 01	543,00

RWIT 51A5 ZZ 01 138,00
 + PARTI INCASSO - CONCEALED BODY
 CORPS À ENCASTRER - UNTERPUTZTEIL



Miscelatore monocomando incasso doccia con doccetta
 Concealed shower mixer with hand-shower
 Mitigeur douche à encastrer avec douchette
 Brause EHM UP mit Handbrause

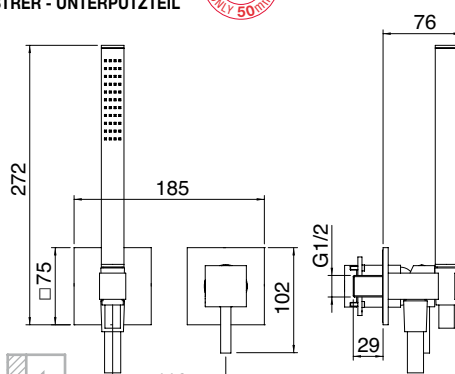


CC	RWIT 76D4 CC 01	358,00
NN	RWIT 76D4 NN 01	508,00
BB	RWIT 76D4 BB 01	508,00
NL	RWIT 76D4 NL 01	501,00
NF	RWIT 76D4 NF 01	501,00
HH	RWIT 76D4 HH 01	614,00
CZ	RWIT 76D4 CZ 01	614,00
DZ	RWIT 76D4 DZ 01	789,00
SZ	RWIT 76D4 SZ 01	789,00

RWIT 51A5 ZZ 01 138,00
 + PARTI INCASSO - CONCEALED BODY
 CORPS À ENCASTRER - UNTERPUTZTEIL



Miscelatore monocomando incasso doccia con doccetta
 Concealed shower mixer with hand-shower
 Mitigeur douche à encastrer avec douchette
 Brause EHM UP mit Handbrause

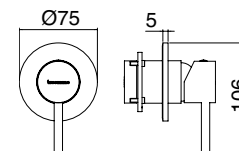


CC	RWIT 58C8 CC 01	167,00
NN	RWIT 58C8 NN 01	237,00
BB	RWIT 58C8 BB 01	237,00
NL	RWIT 58C8 NL 01	234,00
NF	RWIT 58C8 NF 01	234,00
HH	RWIT 58C8 HH 01	288,00
CZ	RWIT 58C8 CZ 01	288,00
DZ	RWIT 58C8 DZ 01	368,00
SZ	RWIT 58C8 SZ 01	368,00

RWIT 51A8 ZZ 03 128,00
 + PARTI INCASSO - CONCEALED BODY
 CORPS À ENCASTRER - UNTERPUTZTEIL



Monocomando remoto lavabo/doccia incasso
 Concealed washbasin/shower mixer
 Mitigeur lavabo/douche à encastrer
 UP-Waschtisch/Dusche Mischer

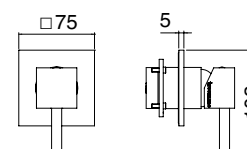


CC	RWIT 76C8 CC 01	228,00
NN	RWIT 76C8 NN 01	323,00
BB	RWIT 76C8 BB 01	323,00
NL	RWIT 76C8 NL 01	318,00
NF	RWIT 76C8 NF 01	318,00
HH	RWIT 76C8 HH 01	391,00
CZ	RWIT 76C8 CZ 01	391,00
DZ	RWIT 76C8 DZ 01	502,00
SZ	RWIT 76C8 SZ 01	502,00

RWIT 51A8 ZZ 03 128,00
 + PARTI INCASSO - CONCEALED BODY
 CORPS À ENCASTRER - UNTERPUTZTEIL



Monocomando remoto lavabo/doccia incasso
 Concealed washbasin/shower mixer
 Mitigeur lavabo/douche à encastrer
 UP-Waschtisch/Dusche Mischer

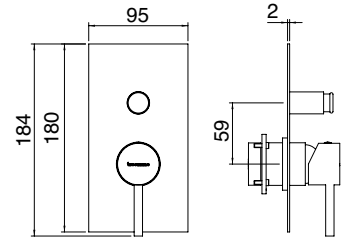


X-Change_mono



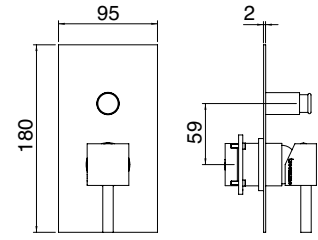
CC	RWIT 58B1 CC 03	182,00
NN	RWIT 58B1 NN 03	257,00
BB	RWIT 58B1 BB 03	257,00
NL	RWIT 58B1 NL 03	253,00
NF	RWIT 58B1 NF 03	253,00
HH	RWIT 58B1 HH 03	309,00
CZ	RWIT 58B1 CZ 03	309,00
DZ	RWIT 58B1 DZ 03	398,00
SZ	RWIT 58B1 SZ 03	398,00

RWIT 51B1 ZZ 03 160,00
 + PARTI INCASSO - CONCEALED BODY
 CORPS À ENCASTRER - UNTERPUTZTEIL



CC	RWIT 76B1 CC 01	239,00
NN	RWIT 76B1 NN 01	340,00
BB	RWIT 76B1 BB 01	340,00
NL	RWIT 76B1 NL 01	335,00
NF	RWIT 76B1 NF 01	335,00
HH	RWIT 76B1 HH 01	411,00
CZ	RWIT 76B1 CZ 01	411,00
DZ	RWIT 76B1 DZ 01	528,00
SZ	RWIT 76B1 SZ 01	528,00

RWIT 51B1 ZZ 03 160,00
 + PARTI INCASSO - CONCEALED BODY
 CORPS À ENCASTRER - UNTERPUTZTEIL

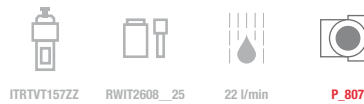
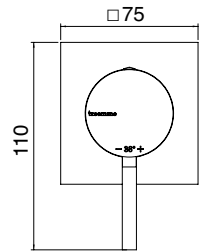


Miscelatore monocomando vasca/doccia incasso
 Concealed bath/shower mixer with diverter
 Mitigeur bain/douche à encastrer avec inverseur
 UP-Wanne/Brause Einhebelmischer

CC	RWIT 7582 CC 04	176,00
NN	RWIT 7582 NN 04	234,00
BB	RWIT 7582 BB 04	234,00
NL	RWIT 7582 NL 04	228,00
NF	RWIT 7582 NF 04	228,00
HH	RWIT 7582 HH 04	270,00
CZ	RWIT 7582 CZ 04	270,00
DZ	RWIT 7582 DZ 04	365,00
SZ	RWIT 7582 SZ 04	365,00

RWIT 7582 CC 02 142,00
RWIT 7582 NN 02 189,00
RWIT 7582 BB 02 189,00
RWIT 7582 NL 02 185,00
 + **RWIT 7582 NF 02 185,00**
RWIT 7582 HH 02 219,00
RWIT 7582 CZ 02 219,00
RWIT 7582 DZ 02 295,00
RWIT 7582 SZ 02 295,00

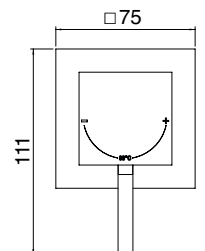
PARTI INCASSO - CONCEALED BODY
 CORPS À ENCASTRER - UNTERPUTZTEIL



CC	RWIT 7682 CC 02	203,00
NN	RWIT 7682 NN 02	269,00
BB	RWIT 7682 BB 02	269,00
NL	RWIT 7682 NL 02	264,00
NF	RWIT 7682 NF 02	264,00
HH	RWIT 7682 HH 02	312,00
CZ	RWIT 7682 CZ 02	312,00
DZ	RWIT 7682 DZ 02	421,00
SZ	RWIT 7682 SZ 02	421,00

RWIT 7582 CC 02 142,00
RWIT 7582 NN 02 189,00
RWIT 7582 BB 02 189,00
RWIT 7582 NL 02 185,00
 + **RWIT 7582 NF 02 185,00**
RWIT 7582 HH 02 219,00
RWIT 7582 CZ 02 219,00
RWIT 7582 DZ 02 295,00
RWIT 7582 SZ 02 295,00

PARTI INCASSO - CONCEALED BODY
 CORPS À ENCASTRER - UNTERPUTZTEIL



Termostatico incasso COAX
 Concealed thermostatic COAX
 Thermostatique à encastrer COAX
 UP-Thermostat COAX

Termostatico incasso COAX
 Concealed thermostatic COAX
 Thermostatique à encastrer COAX
 UP-Thermostat COAX



X-Change_mono

RAN

HASK

PA36

UP+

TIME - TIME_OUT

NANOtech

XERO

BAMBOO

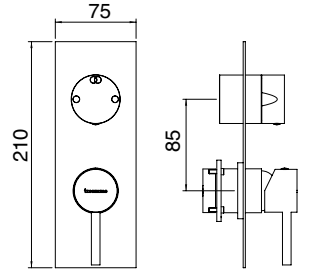
LINE

X-CHANGE_mono



CC	RWIT 58A2 CC 01	263,00
NN	RWIT 58A2 NN 01	374,00
BB	RWIT 58A2 BB 01	374,00
NL	RWIT 58A2 NL 01	368,00
NF	RWIT 58A2 NF 01	368,00
HH	RWIT 58A2 HH 01	453,00
CZ	RWIT 58A2 CZ 01	453,00
DZ	RWIT 58A2 DZ 01	581,00
SZ	RWIT 58A2 SZ 01	581,00

RWIT 22A2 ZZ 01 237,00
 + PARTI INCASSO - CONCEALED BODY
 CORPS À ENCASTRER - UNTERPUTZTEIL

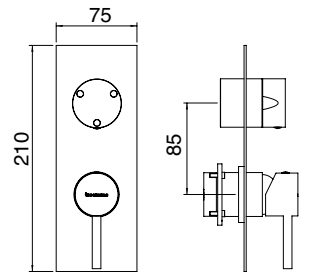


Miscelatore monocomando con deviatore 2 uscite
 Concealed mixer with 2 ways diverter
 Mitigeur à encastrer avec inverseur à 2 sorties
 EHM UP mit 2 Wege Umsteller



CC	RWIT 58A3 CC 01	290,00
NN	RWIT 58A3 NN 01	411,00
BB	RWIT 58A3 BB 01	411,00
NL	RWIT 58A3 NL 01	405,00
NF	RWIT 58A3 NF 01	405,00
HH	RWIT 58A3 HH 01	498,00
CZ	RWIT 58A3 CZ 01	498,00
DZ	RWIT 58A3 DZ 01	639,00
SZ	RWIT 58A3 SZ 01	639,00

RWIT 22A2 ZZ 01 237,00
 + PARTI INCASSO - CONCEALED BODY
 CORPS À ENCASTRER - UNTERPUTZTEIL

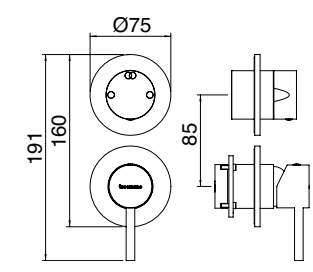


Miscelatore monocomando con deviatore 3 uscite
 Concealed mixer with 3 ways diverter
 Mitigeur à encastrer avec inverseur à 3 sorties
 EHM UP mit 3 Wege Umsteller

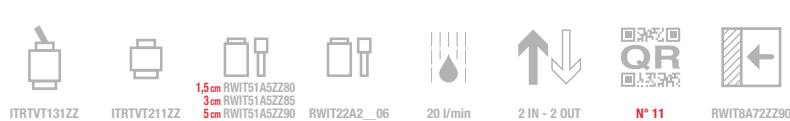
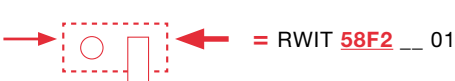


CC	RWIT 58C2 CC 01	290,00
NN	RWIT 58C2 NN 01	411,00
BB	RWIT 58C2 BB 01	411,00
NL	RWIT 58C2 NL 01	405,00
NF	RWIT 58C2 NF 01	405,00
HH	RWIT 58C2 HH 01	498,00
CZ	RWIT 58C2 CZ 01	498,00
DZ	RWIT 58C2 DZ 01	639,00
SZ	RWIT 58C2 SZ 01	639,00

RWIT 22A2 ZZ 01 237,00
 + PARTI INCASSO - CONCEALED BODY
 CORPS À ENCASTRER - UNTERPUTZTEIL

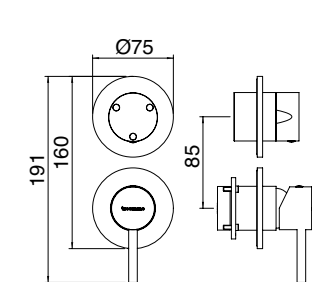


Miscelatore monocomando con deviatore 2 uscite
 Concealed mixer with 2 ways diverter
 Mitigeur à encastrer avec inverseur à 2 sorties
 EHM UP mit 2 Wege Umsteller



CC	RWIT 58C3 CC 01	319,00
NN	RWIT 58C3 NN 01	453,00
BB	RWIT 58C3 BB 01	453,00
NL	RWIT 58C3 NL 01	445,00
NF	RWIT 58C3 NF 01	445,00
HH	RWIT 58C3 HH 01	547,00
CZ	RWIT 58C3 CZ 01	547,00
DZ	RWIT 58C3 DZ 01	703,00
SZ	RWIT 58C3 SZ 01	703,00

RWIT 22A2 ZZ 01 237,00
 + PARTI INCASSO - CONCEALED BODY
 CORPS À ENCASTRER - UNTERPUTZTEIL



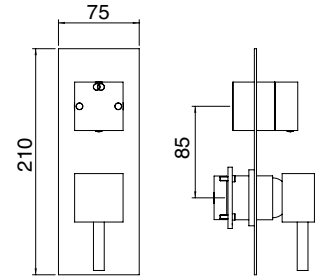
Miscelatore monocomando con deviatore 3 uscite
 Concealed mixer with 3 ways diverter
 Mitigeur à encastrer avec inverseur à 3 sorties
 EHM UP mit 3 Wege Umsteller





CC	RWIT 76A2 CC 02	271,00
NN	RWIT 76A2 NN 02	386,00
BB	RWIT 76A2 BB 02	386,00
NL	RWIT 76A2 NL 02	381,00
NF	RWIT 76A2 NF 02	381,00
HH	RWIT 76A2 HH 02	467,00
CZ	RWIT 76A2 CZ 02	467,00
DZ	RWIT 76A2 DZ 02	600,00
SZ	RWIT 76A2 SZ 02	600,00

RWIT 22A2 ZZ 01 237,00
 + PARTI INCASSO - CONCEALED BODY
 CORPS À ENCASTRER - UNTERPUTZTEIL



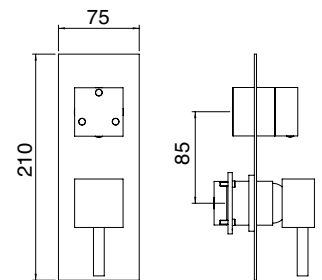
Miscelatore monocomando con deviatore 2 uscite
 Concealed mixer with 2 ways diverter
 Mitigeur à encastrer avec inverseur à 2 sorties
 EHM UP mit 2 Wege Umsteller

→ ← = RWIT **76E2** __ 01



CC	RWIT 76A3 CC 02	299,00
NN	RWIT 76A3 NN 02	424,00
BB	RWIT 76A3 BB 02	424,00
NL	RWIT 76A3 NL 02	419,00
NF	RWIT 76A3 NF 02	419,00
HH	RWIT 76A3 HH 02	513,00
CZ	RWIT 76A3 CZ 02	513,00
DZ	RWIT 76A3 DZ 02	660,00
SZ	RWIT 76A3 SZ 02	660,00

RWIT 22A2 ZZ 01 237,00
 + PARTI INCASSO - CONCEALED BODY
 CORPS À ENCASTRER - UNTERPUTZTEIL



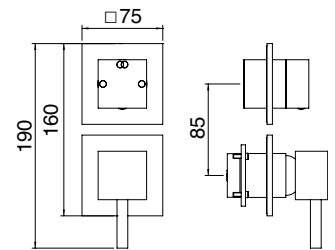
Miscelatore monocomando con deviatore 3 uscite
 Concealed mixer with 3 ways diverter
 Mitigeur à encastrer avec inverseur à 3 sorties
 EHM UP mit 3 Wege Umsteller

→ ← = RWIT **76E3** __ 01



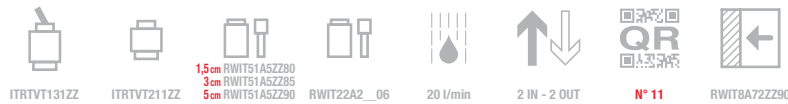
CC	RWIT 76C2 CC 01	299,00
NN	RWIT 76C2 NN 01	424,00
BB	RWIT 76C2 BB 01	424,00
NL	RWIT 76C2 NL 01	419,00
NF	RWIT 76C2 NF 01	419,00
HH	RWIT 76C2 HH 01	513,00
CZ	RWIT 76C2 CZ 01	513,00
DZ	RWIT 76C2 DZ 01	660,00
SZ	RWIT 76C2 SZ 01	660,00

RWIT 22A2 ZZ 01 237,00
 + PARTI INCASSO - CONCEALED BODY
 CORPS À ENCASTRER - UNTERPUTZTEIL



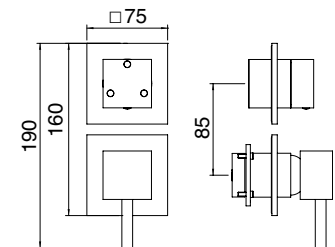
Miscelatore monocomando con deviatore 2 uscite
 Concealed mixer with 2 ways diverter
 Mitigeur à encastrer avec inverseur à 2 sorties
 EHM UP mit 2 Wege Umsteller

→ ← = RWIT **76F2** __ 01



CC	RWIT 76C3 CC 01	329,00
NN	RWIT 76C3 NN 01	466,00
BB	RWIT 76C3 BB 01	466,00
NL	RWIT 76C3 NL 01	460,00
NF	RWIT 76C3 NF 01	460,00
HH	RWIT 76C3 HH 01	565,00
CZ	RWIT 76C3 CZ 01	565,00
DZ	RWIT 76C3 DZ 01	726,00
SZ	RWIT 76C3 SZ 01	726,00

RWIT 22A2 ZZ 01 237,00
 + PARTI INCASSO - CONCEALED BODY
 CORPS À ENCASTRER - UNTERPUTZTEIL



Miscelatore monocomando con deviatore 3 uscite
 Concealed mixer with 3 ways diverter
 Mitigeur à encastrer avec inverseur à 3 sorties
 EHM UP mit 3 Wege Umsteller

→ ← = RWIT **76F3** __ 01

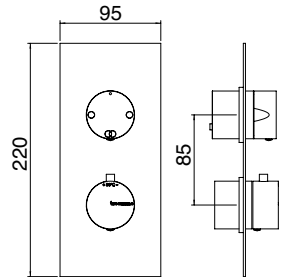


X-Change_mono



CC	RWIT 8A46 CC 03	230,00
NN	RWIT 8A46 NN 03	327,00
BB	RWIT 8A46 BB 03	327,00
NL	RWIT 8A46 NL 03	323,00
NF	RWIT 8A46 NF 03	323,00
HH	RWIT 8A46 HH 03	396,00
CZ	RWIT 8A46 CZ 03	396,00
DZ	RWIT 8A46 DZ 03	508,00
SZ	RWIT 8A46 SZ 03	508,00

RWIT 8A46 ZZ 20 309,00
 + PARTI INCASSO - CONCEALED BODY
 CORPS À ENCASTRER - UNTERPUTZTEIL

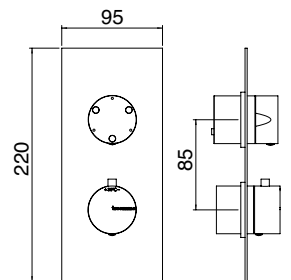


Termostatico incasso con deviatore 2 uscite
 Concealed thermostatic with 2 ways diverter
 Thermostatique à encastrer avec inverseur à 2 sorties
 UP-Thermostat mit 2 Wege Umsteller



CC	RWIT 8A72 CC 03	277,00
NN	RWIT 8A72 NN 03	393,00
BB	RWIT 8A72 BB 03	393,00
NL	RWIT 8A72 NL 03	388,00
NF	RWIT 8A72 NF 03	388,00
HH	RWIT 8A72 HH 03	475,00
CZ	RWIT 8A72 CZ 03	475,00
DZ	RWIT 8A72 DZ 03	611,00
SZ	RWIT 8A72 SZ 03	611,00

RWIT 8A46 ZZ 20 309,00
 + PARTI INCASSO - CONCEALED BODY
 CORPS À ENCASTRER - UNTERPUTZTEIL

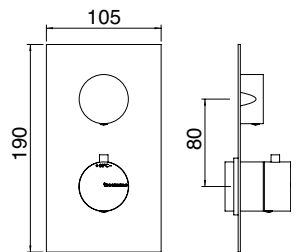


Termostatico incasso con deviatore 3 uscite
 Concealed thermostatic with 3 ways diverter
 Thermostatique à encastrer avec inverseur à 3 sorties
 UP-Thermostat mit 3 Wege Umsteller

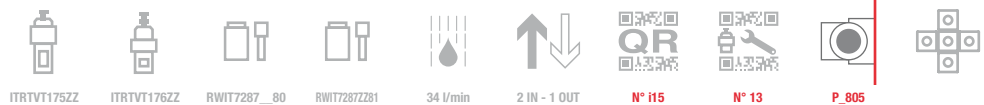


CC	RWIT 7287 CC 35	201,00
NN	RWIT 7287 NN 35	286,00
BB	RWIT 7287 BB 35	286,00
NL	RWIT 7287 NL 35	282,00
NF	RWIT 7287 NF 35	282,00
HH	RWIT 7287 HH 35	347,00
CZ	RWIT 7287 CZ 35	347,00
DZ	RWIT 7287 DZ 35	444,00
SZ	RWIT 7287 SZ 35	444,00

RWIT 7287 ZZ 30 458,00
 + PARTI INCASSO - CONCEALED BODY
 CORPS À ENCASTRER - UNTERPUTZTEIL

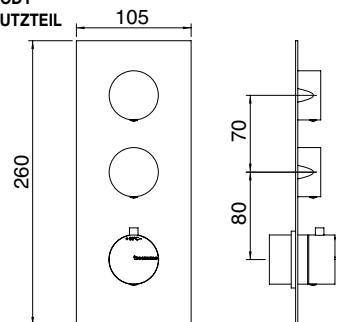


Termostatico incasso 1 uscita
 1 way concealed thermostatic
 Thermostatique à encastrer avec 1 sortie
 UP-Thermostat mit 1 Weg



CC	RWIT 7286 CC 35	315,00
NN	RWIT 7286 NN 35	448,00
BB	RWIT 7286 BB 35	448,00
NL	RWIT 7286 NL 35	440,00
NF	RWIT 7286 NF 35	440,00
HH	RWIT 7286 HH 35	541,00
CZ	RWIT 7286 CZ 35	541,00
DZ	RWIT 7286 DZ 35	696,00
SZ	RWIT 7286 SZ 35	696,00

RWIT 7286 ZZ 30 680,00
 + PARTI INCASSO - CONCEALED BODY
 CORPS À ENCASTRER - UNTERPUTZTEIL



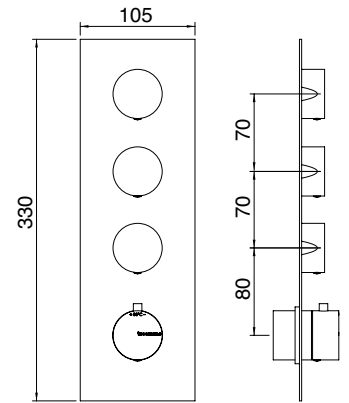
Termostatico incasso 2 uscite
 2 ways concealed thermostatic
 Thermostatique à encastrer avec 2 sorties
 UP-Thermostat mit 2 Wege



CC	RWIT 7294 CC 35	428,00
NN	RWIT 7294 NN 35	608,00
BB	RWIT 7294 BB 35	608,00
NL	RWIT 7294 NL 35	599,00
NF	RWIT 7294 NF 35	599,00
HH	RWIT 7294 HH 35	736,00
CZ	RWIT 7294 CZ 35	736,00
DZ	RWIT 7294 DZ 35	946,00
SZ	RWIT 7294 SZ 35	946,00

RWIT 7294 ZZ 30 855,00
 **PARTI INCASSO - CONCEALED BODY**
CORPS À ENCASTRER - UNTERPUTZTEIL

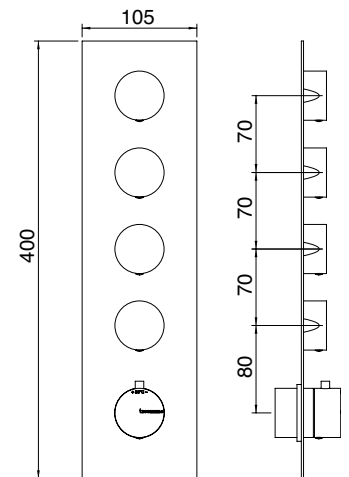
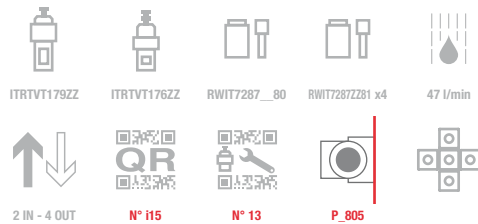
Termostatico incasso 3 uscite
 3 ways concealed thermostatic
 Thermostatique à encastrer avec 3 sorties
 UP-Thermostat mit 3 Wege



CC	RWIT 7297 CC 35	526,00
NN	RWIT 7297 NN 35	747,00
BB	RWIT 7297 BB 35	747,00
NL	RWIT 7297 NL 35	736,00
NF	RWIT 7297 NF 35	736,00
HH	RWIT 7297 HH 35	905,00
CZ	RWIT 7297 CZ 35	905,00
DZ	RWIT 7297 DZ 35	1.162,00
SZ	RWIT 7297 SZ 35	1.162,00

RWIT 7297 ZZ 30 1.030,00
 **PARTI INCASSO - CONCEALED BODY**
CORPS À ENCASTRER - UNTERPUTZTEIL

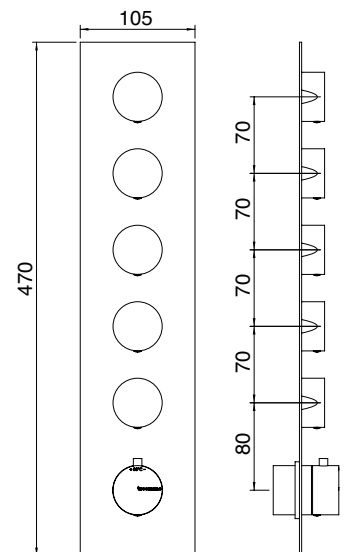
Termostatico incasso 4 uscite
 4 ways concealed thermostatic
 Thermostatique à encastrer avec 4 sorties
 UP-Thermostat mit 4 Wege



CC	RWIT 7298 CC 35	624,00
NN	RWIT 7298 NN 35	886,00
BB	RWIT 7298 BB 35	886,00
NL	RWIT 7298 NL 35	873,00
NF	RWIT 7298 NF 35	873,00
HH	RWIT 7298 HH 35	1.073,00
CZ	RWIT 7298 CZ 35	1.073,00
DZ	RWIT 7298 DZ 35	1.379,00
SZ	RWIT 7298 SZ 35	1.379,00

RWIT 7298 ZZ 30 1.205,00
 **PARTI INCASSO - CONCEALED BODY**
CORPS À ENCASTRER - UNTERPUTZTEIL

Termostatico incasso 5 uscite
 5 ways concealed thermostatic
 Thermostatique à encastrer avec 5 sorties
 UP-Thermostat mit 5 Wege



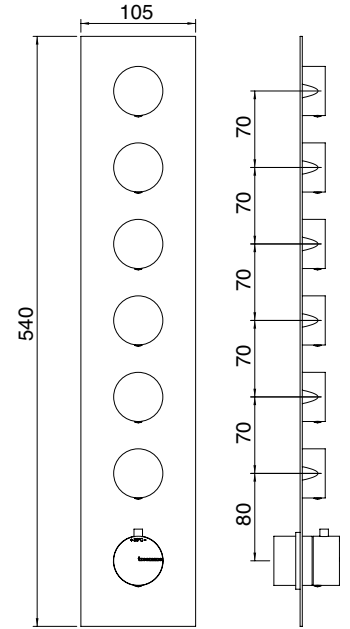
X-Change_mono



CC	RWIT 7264 CC 35	721,00
NN	RWIT 7264 NN 35	1.024,00
BB	RWIT 7264 BB 35	1.024,00
NL	RWIT 7264 NL 35	1.010,00
NF	RWIT 7264 NF 35	1.010,00
HH	RWIT 7264 HH 35	1.241,00
CZ	RWIT 7264 CZ 35	1.241,00
DZ	RWIT 7264 DZ 35	1.594,00
SZ	RWIT 7264 SZ 35	1.594,00

RWIT 7264 ZZ 30 1.380,00
 + PARTI INCASSO - CONCEALED BODY
 CORPS À ENCASTRER - UNTERPUTZTEIL

Termostatico incasso 6 uscite
 6 ways concealed thermostatic
 Thermostatique à encastrer avec 6 sorties
 UP-Thermostat mit 6 Wege



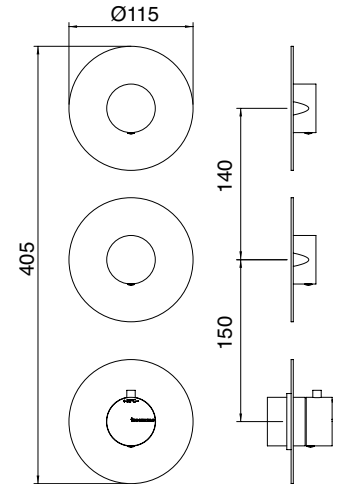
RAN
HASK
PA36
UP+
TIME - TIME_OUT
NANOtech
XERO
BAMBOO
LINE
X-CHANGE_mono



CC	RWIT 7274 CC 60	356,00
NN	RWIT 7274 NN 60	505,00
BB	RWIT 7274 BB 60	505,00
NL	RWIT 7274 NL 60	498,00
NF	RWIT 7274 NF 60	498,00
HH	RWIT 7274 HH 60	612,00
CZ	RWIT 7274 CZ 60	612,00
DZ	RWIT 7274 DZ 60	786,00
SZ	RWIT 7274 SZ 60	786,00

RWIT 7274 ZZ 40 762,00
 + PARTI INCASSO - CONCEALED BODY
 CORPS À ENCASTRER - UNTERPUTZTEIL

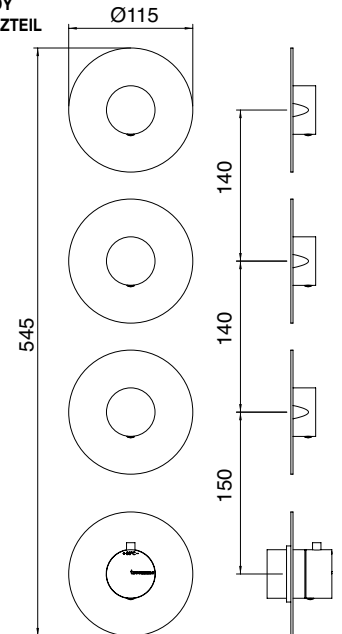
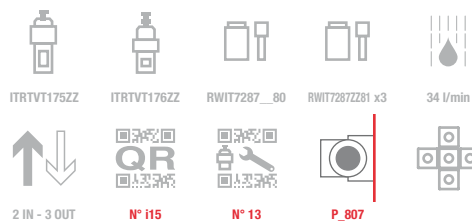
Termostatico incasso 2 uscite
 2 ways concealed thermostatic
 Thermostatique à encastrer avec 2 sorties
 UP-Thermostat mit 2 Wege



CC	RWIT 7275 CC 60	536,00
NN	RWIT 7275 NN 60	762,00
BB	RWIT 7275 BB 60	762,00
NL	RWIT 7275 NL 60	750,00
NF	RWIT 7275 NF 60	750,00
HH	RWIT 7275 HH 60	922,00
CZ	RWIT 7275 CZ 60	922,00
DZ	RWIT 7275 DZ 60	1.185,00
SZ	RWIT 7275 SZ 60	1.185,00

RWIT 7275 ZZ 40 937,00
 + PARTI INCASSO - CONCEALED BODY
 CORPS À ENCASTRER - UNTERPUTZTEIL

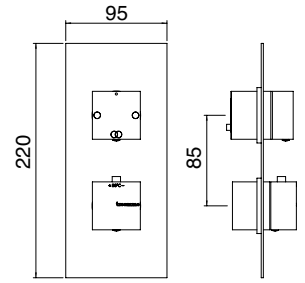
Termostatico incasso 3 uscite
 3 ways concealed thermostatic
 Thermostatique à encastrer avec 3 sorties
 UP-Thermostat mit 3 Wege





CC	RWIT 8A46 CC 12	265,00
NN	RWIT 8A46 NN 12	376,00
BB	RWIT 8A46 BB 12	376,00
NL	RWIT 8A46 NL 12	371,00
NF	RWIT 8A46 NF 12	371,00
HH	RWIT 8A46 HH 12	457,00
CZ	RWIT 8A46 CZ 12	457,00
DZ	RWIT 8A46 DZ 12	586,00
SZ	RWIT 8A46 SZ 12	586,00

RWIT 8A46 ZZ 20 309,00
 + PARTI INCASSO - CONCEALED BODY
 CORPS À ENCASTRER - UNTERPUTZTEIL

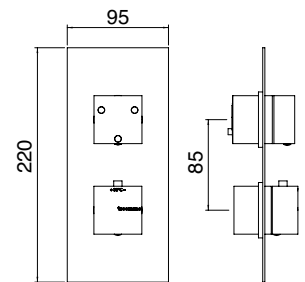


Termostatico incasso con deviatore 2 uscite
 Concealed thermostat with 2 ways diverter
 Thermostatique à encastrer avec inverseur à 2 sorties
 UP-Thermostat mit 2 Wege Umsteller



CC	RWIT 8A72 CC 12	311,00
NN	RWIT 8A72 NN 12	441,00
BB	RWIT 8A72 BB 12	441,00
NL	RWIT 8A72 NL 12	435,00
NF	RWIT 8A72 NF 12	435,00
HH	RWIT 8A72 HH 12	534,00
CZ	RWIT 8A72 CZ 12	534,00
DZ	RWIT 8A72 DZ 12	686,00
SZ	RWIT 8A72 SZ 12	686,00

RWIT 8A46 ZZ 20 309,00
 + PARTI INCASSO - CONCEALED BODY
 CORPS À ENCASTRER - UNTERPUTZTEIL

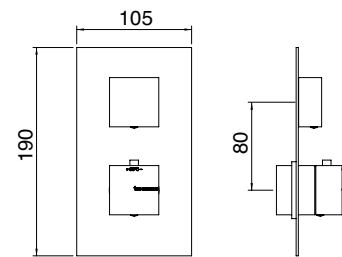


Termostatico incasso con deviatore 3 uscite
 Concealed thermostat with 3 ways diverter
 Thermostatique à encastrer avec inverseur à 3 sorties
 UP-Thermostat mit 3 Wege Umsteller

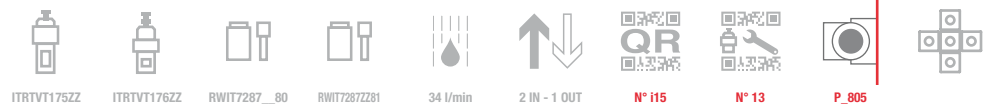


CC	RWIT 7287 CC 32	248,00
NN	RWIT 7287 NN 32	352,00
BB	RWIT 7287 BB 32	352,00
NL	RWIT 7287 NL 32	347,00
NF	RWIT 7287 NF 32	347,00
HH	RWIT 7287 HH 32	426,00
CZ	RWIT 7287 CZ 32	426,00
DZ	RWIT 7287 DZ 32	547,00
SZ	RWIT 7287 SZ 32	547,00

RWIT 7287 ZZ 30 458,00
 + PARTI INCASSO - CONCEALED BODY
 CORPS À ENCASTRER - UNTERPUTZTEIL

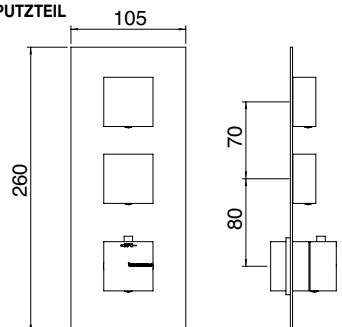


Termostatico incasso 1 uscita
 1 way concealed thermostat
 Thermostatique à encastrer avec 1 sortie
 UP-Thermostat mit 1 Weg



CC	RWIT 7286 CC 32	371,00
NN	RWIT 7286 NN 32	528,00
BB	RWIT 7286 BB 32	528,00
NL	RWIT 7286 NL 32	520,00
NF	RWIT 7286 NF 32	520,00
HH	RWIT 7286 HH 32	639,00
CZ	RWIT 7286 CZ 32	639,00
DZ	RWIT 7286 DZ 32	820,00
SZ	RWIT 7286 SZ 32	820,00

RWIT 7286 ZZ 30 680,00
 + PARTI INCASSO - CONCEALED BODY
 CORPS À ENCASTRER - UNTERPUTZTEIL



Termostatico incasso 2 uscite
 2 ways concealed thermostat
 Thermostatique à encastrer avec 2 sorties
 UP-Thermostat mit 2 Wege



RAN
HASK
PA36
UP+
TIME - TIME_OUT
NANOtech
XERO
BAMBOO
LINE
X-CHANGE_mono

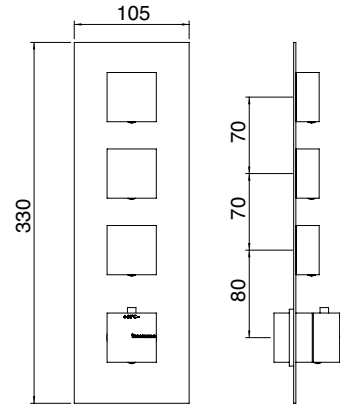
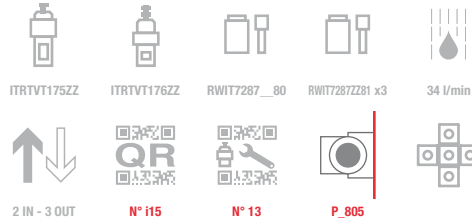
X-Change_mono



CC	RWIT 7294 CC 32	504,00
NN	RWIT 7294 NN 32	716,00
BB	RWIT 7294 BB 32	716,00
NL	RWIT 7294 NL 32	706,00
NF	RWIT 7294 NF 32	706,00
HH	RWIT 7294 HH 32	868,00
CZ	RWIT 7294 CZ 32	868,00
DZ	RWIT 7294 DZ 32	1.114,00
SZ	RWIT 7294 SZ 32	1.114,00

RWIT 7294 ZZ 30 855,00
 + PARTI INCASSO - CONCEALED BODY
 CORPS À ENCASTRER - UNTERPUTZTEIL

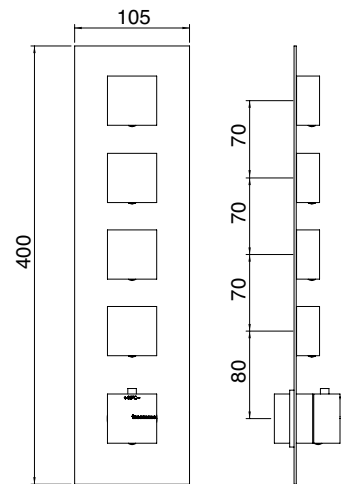
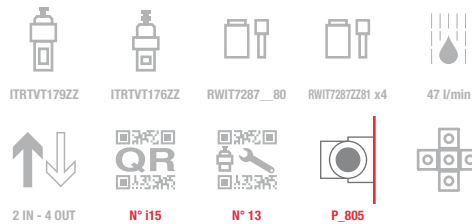
Termostatico incasso 3 uscite
 3 ways concealed thermostatic
 Thermostatique à encastrer avec 3 sorties
 UP-Thermostat mit 3 Wege



CC	RWIT 7297 CC 32	597,00
NN	RWIT 7297 NN 32	848,00
BB	RWIT 7297 BB 32	848,00
NL	RWIT 7297 NL 32	836,00
NF	RWIT 7297 NF 32	836,00
HH	RWIT 7297 HH 32	1.026,00
CZ	RWIT 7297 CZ 32	1.026,00
DZ	RWIT 7297 DZ 32	1.319,00
SZ	RWIT 7297 SZ 32	1.319,00

RWIT 7297 ZZ 30 1.030,00
 + PARTI INCASSO - CONCEALED BODY
 CORPS À ENCASTRER - UNTERPUTZTEIL

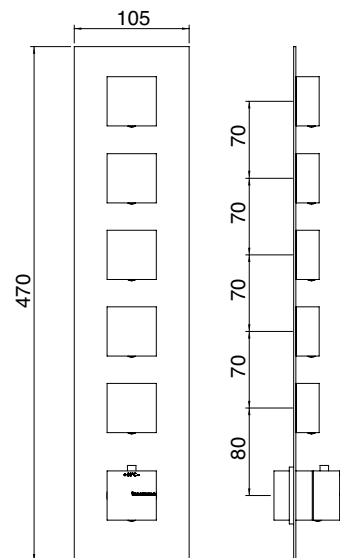
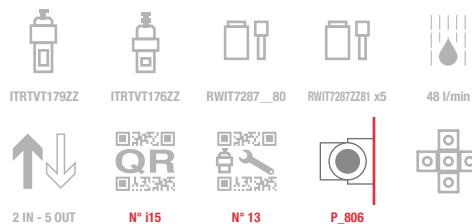
Termostatico incasso 4 uscite
 4 ways concealed thermostatic
 Thermostatique à encastrer avec 4 sorties
 UP-Thermostat mit 4 Wege



CC	RWIT 7298 CC 32	720,00
NN	RWIT 7298 NN 32	1.023,00
BB	RWIT 7298 BB 32	1.023,00
NL	RWIT 7298 NL 32	1.009,00
NF	RWIT 7298 NF 32	1.009,00
HH	RWIT 7298 HH 32	1.240,00
CZ	RWIT 7298 CZ 32	1.240,00
DZ	RWIT 7298 DZ 32	1.592,00
SZ	RWIT 7298 SZ 32	1.592,00

RWIT 7298 ZZ 30 1.205,00
 + PARTI INCASSO - CONCEALED BODY
 CORPS À ENCASTRER - UNTERPUTZTEIL

Termostatico incasso 5 uscite
 5 ways concealed thermostatic
 Thermostatique à encastrer avec 5 sorties
 UP-Thermostat mit 5 Wege

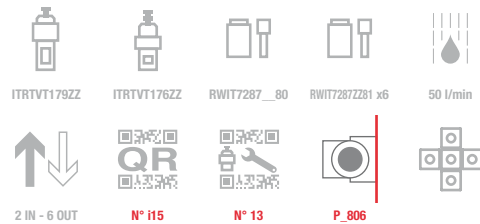
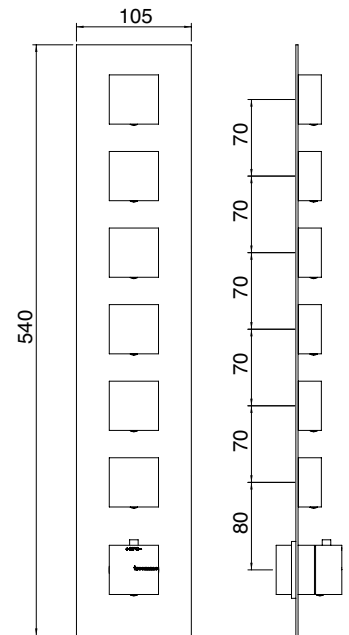




CC	RWIT 7264 CC 32	855,00
NN	RWIT 7264 NN 32	1.215,00
BB	RWIT 7264 BB 32	1.215,00
NL	RWIT 7264 NL 32	1.197,00
NF	RWIT 7264 NF 32	1.197,00
HH	RWIT 7264 HH 32	1.471,00
CZ	RWIT 7264 CZ 32	1.471,00
DZ	RWIT 7264 DZ 32	1.891,00
SZ	RWIT 7264 SZ 32	1.891,00

Termostatico incasso 6 uscite
6 ways concealed thermostatic
Thermostatique à encastrer avec 6 sorties
UP-Thermostat mit 6 Wege

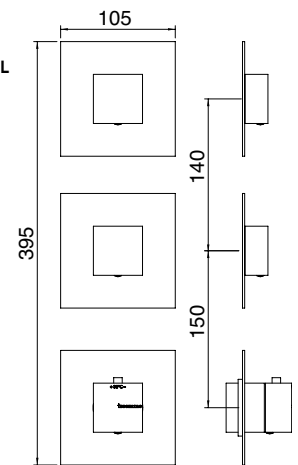
RWIT 7264 ZZ 30 1.380,00
+  PARTI INCASSO - CONCEALED BODY
CORPS À ENCASTRER - UNTERPUTZTEIL



CC	RWIT 7274 CC 31	438,00
NN	RWIT 7274 NN 31	623,00
BB	RWIT 7274 BB 31	623,00
NL	RWIT 7274 NL 31	613,00
NF	RWIT 7274 NF 31	613,00
HH	RWIT 7274 HH 31	753,00
CZ	RWIT 7274 CZ 31	753,00
DZ	RWIT 7274 DZ 31	969,00
SZ	RWIT 7274 SZ 31	969,00

Termostatico incasso 2 uscite
2 ways concealed thermostatic
Thermostatique à encastrer avec 2 sorties
UP-Thermostat mit 2 Wege

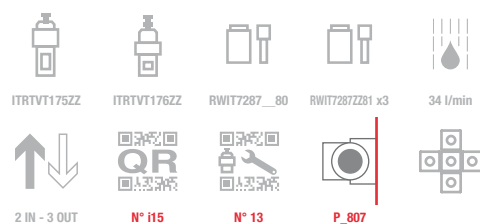
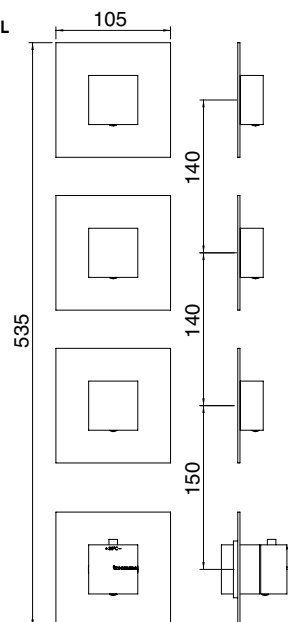
RWIT 7274 ZZ 40 762,00
+  PARTI INCASSO - CONCEALED BODY
CORPS À ENCASTRER - UNTERPUTZTEIL



CC	RWIT 7275 CC 31	567,00
NN	RWIT 7275 NN 31	805,00
BB	RWIT 7275 BB 31	805,00
NL	RWIT 7275 NL 31	794,00
NF	RWIT 7275 NF 31	794,00
HH	RWIT 7275 HH 31	975,00
CZ	RWIT 7275 CZ 31	975,00
DZ	RWIT 7275 DZ 31	1.253,00
SZ	RWIT 7275 SZ 31	1.253,00

Termostatico incasso 3 uscite
3 ways concealed thermostatic
Thermostatique à encastrer avec 3 sorties
UP-Thermostat mit 3 Wege

RWIT 7275 ZZ 40 937,00
+  PARTI INCASSO - CONCEALED BODY
CORPS À ENCASTRER - UNTERPUTZTEIL



X-Change_mono

RAN

HASK

PA36

UP+

TIME - TIME_OUT

NANOtech

XERO

BAMBOO

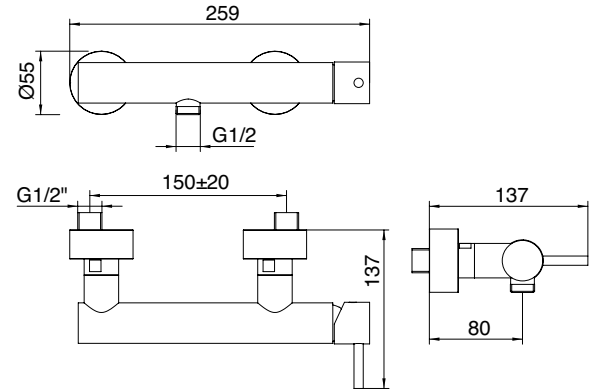
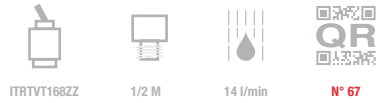
LINE

X-CHANGE_mono



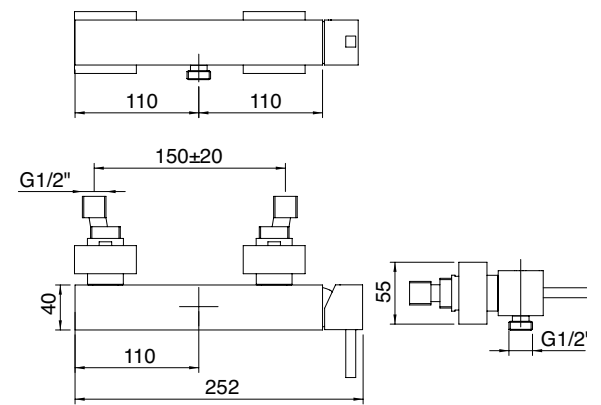
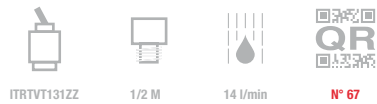
CC	IT 5856 CC VL ZZ	260,00
NN	IT 5856 NN VL ZZ	345,00
BB	IT 5856 BB VL ZZ	345,00
NL	IT 5856 NL VL ZZ	337,00
NF	IT 5856 NF VL ZZ	337,00
HH	IT 5856 HH VL ZZ	400,00
CZ	IT 5856 CZ VL ZZ	400,00
DZ	IT 5856 DZ VL ZZ	539,00
SZ	IT 5856 SZ VL ZZ	539,00

Miscelatore monocomando esterno doccia
Wall-mtd. shower mixer
Mitigeur douche mural
AP-Brause-Einhandbatterie



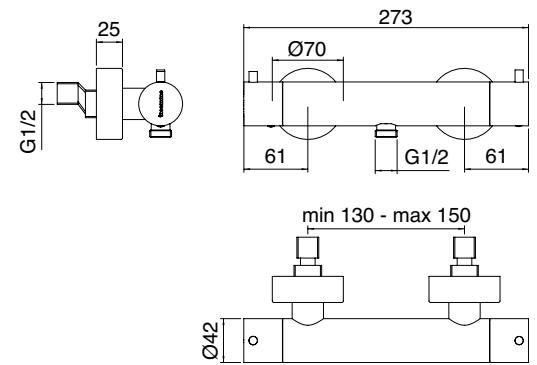
CC	IT 7656 CC MT ZZ	260,00
NN	IT 7656 NN MT ZZ	345,00
BB	IT 7656 BB MT ZZ	345,00
NL	IT 7656 NL MT ZZ	337,00
NF	IT 7656 NF MT ZZ	337,00
HH	IT 7656 HH MT ZZ	400,00
CZ	IT 7656 CZ MT ZZ	400,00
DZ	IT 7656 DZ MT ZZ	539,00
SZ	IT 7656 SZ MT ZZ	539,00

Miscelatore monocomando esterno doccia
Wall-mtd. shower mixer
Mitigeur douche mural
AP-Brause-Einhandbatterie



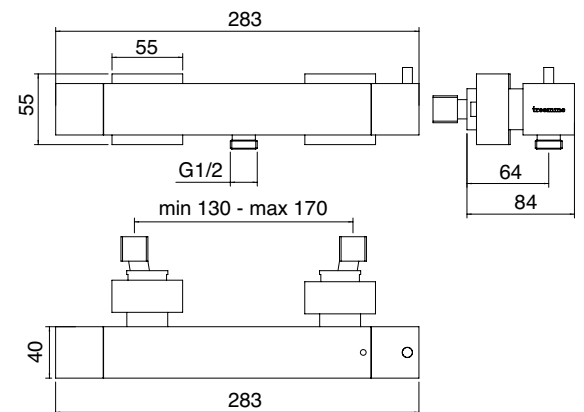
CC	IT 5845 CC VL ZZ	488,00
NN	IT 5845 NN VL ZZ	634,00
BB	IT 5845 BB VL ZZ	634,00
NL	IT 5845 NL VL ZZ	651,00
NF	IT 5845 NF VL ZZ	651,00
HH	IT 5845 HH VL ZZ	751,00
CZ	IT 5845 CZ VL ZZ	751,00
DZ	IT 5845 DZ VL ZZ	1.014,00
SZ	IT 5845 SZ VL ZZ	1.014,00

Termostatico esterno doccia
Wall-mtd. thermostatic mixer
Thermostatique mural
AP-Thermostat



CC	IT 7645 CC XM ZZ	521,00
NN	IT 7645 NN XM ZZ	692,00
BB	IT 7645 BB XM ZZ	692,00
NL	IT 7645 NL XM ZZ	677,00
NF	IT 7645 NF XM ZZ	677,00
HH	IT 7645 HH XM ZZ	801,00
CZ	IT 7645 CZ XM ZZ	801,00
DZ	IT 7645 DZ XM ZZ	1.081,00
SZ	IT 7645 SZ XM ZZ	1.081,00

Termostatico esterno doccia
Wall-mtd. thermostatic mixer
Thermostatique mural
AP-Thermostat





IT 6525 NF XM ZZ

X-CHANGE_mono

LINE

BAMBOO

XERO

NANOtech

TIME - TIME_OUT

UP+

PA36

HASK

RAN

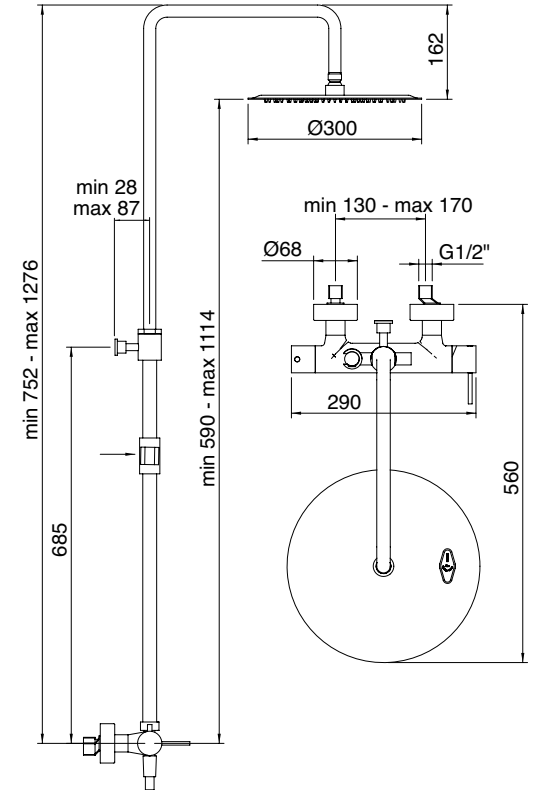
X-Change_mono

RAN
HASK
PA36
UP+
TIME - TIME_OUT
NANOtech
XERO
BAMBOO
LINE
X-CHANGE_mono



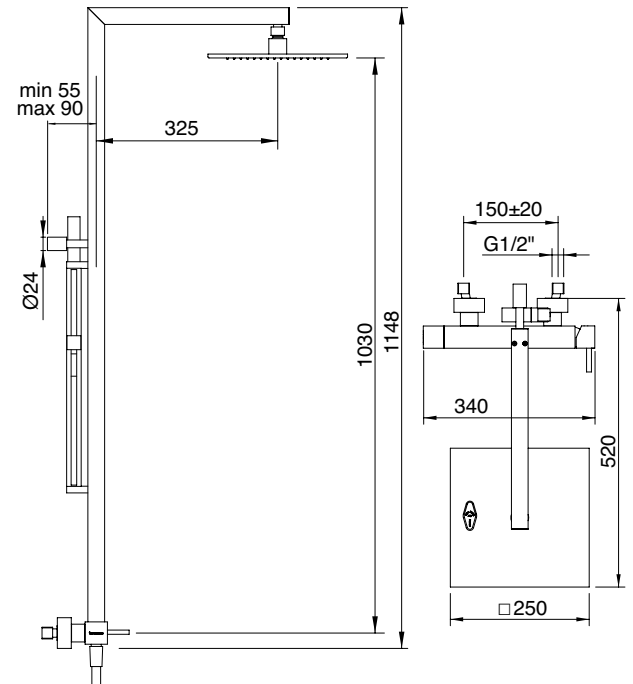
CC	IT 6B60 CC VL ZZ	834,00
NN	IT 6B60 NN VL ZZ	1.109,00
BB	IT 6B60 BB VL ZZ	1.109,00
NL	IT 6B60 NL VL ZZ	1.084,00
NF	IT 6B60 NF VL ZZ	1.084,00
HH	IT 6B60 HH VL ZZ	1.284,00
CZ	IT 6B60 CZ VL ZZ	1.284,00
DZ	IT 6B60 DZ VL ZZ	1.733,00
SZ	IT 6B60 SZ VL ZZ	1.733,00

Gruppo doccia con doccetta e soffione anticalcare
 Wall-mtd. shower set, anti-limescale
 hand-shower and shower head
 Mitigeur douche mural, douchette et tête
 de douche anticalcaire
 Regenbrause-Set, Antikalk Handbrause
 und Kopfbrause



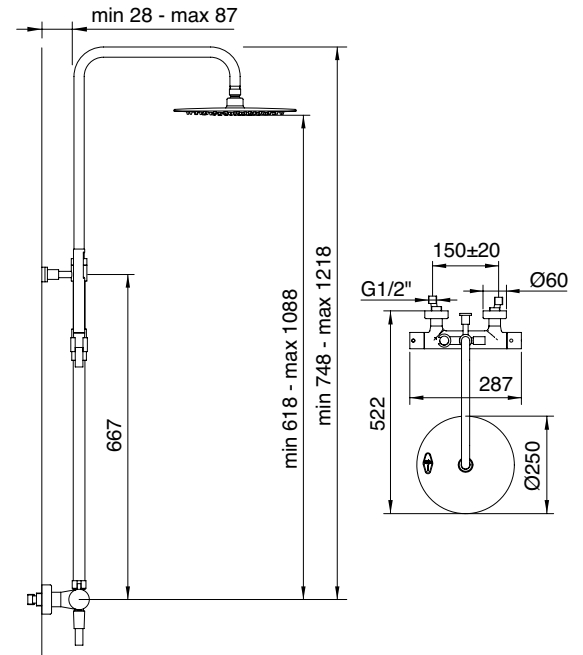
CC	IT 7660 CC MT ZZ	1.622,00
NN	IT 7660 NN MT ZZ	2.156,00
BB	IT 7660 BB MT ZZ	2.156,00
NL	IT 7660 NL MT ZZ	2.109,00
NF	IT 7660 NF MT ZZ	2.109,00
HH	IT 7660 HH MT ZZ	2.497,00
CZ	IT 7660 CZ MT ZZ	2.497,00
DZ	IT 7660 DZ MT ZZ	3.373,00
SZ	IT 7660 SZ MT ZZ	3.373,00

Gruppo doccia con doccetta e soffione
 anticalcare e saliscendi
 Wall-mtd. shower set, anti-limescale
 hand-shower, shower head and sliding bar
 Mitigeur douche mural, douchette, tête
 de douche anticalcaire et barre coulissante
 Regenbrause-Set, Antikalk Handbrause,
 Kopfbrause und Gleitstange



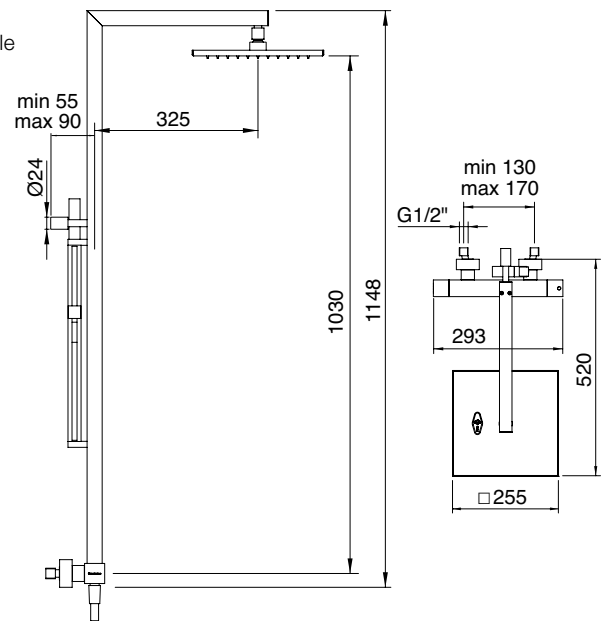
CC	IT 5854 CC VL ZZ	884,00
NN	IT 5854 NN VL ZZ	1.177,00
BB	IT 5854 BB VL ZZ	1.177,00
NL	IT 5854 NL VL ZZ	1.150,00
NF	IT 5854 NF VL ZZ	1.150,00
HH	IT 5854 HH VL ZZ	1.362,00
CZ	IT 5854 CZ VL ZZ	1.362,00
DZ	IT 5854 DZ VL ZZ	1.838,00
SZ	IT 5854 SZ VL ZZ	1.838,00

Gruppo doccia termostatico con doccetta e soffione anticalcare
 Wall-mtd. thermostatic shower set with anti-limescale hand-shower and shower head
 Mitigeur thermostatique mural, douchette et tête de douche anticalcaire
 Regenbrause-Set mit Thermostat-Armatur, Antikalk Handbrause und Kopfbrause



CC	IT 6525 CC XM ZZ	1.686,00
NN	IT 6525 NN XM ZZ	2.242,00
BB	IT 6525 BB XM ZZ	2.242,00
NL	IT 6525 NL XM ZZ	2.190,00
NF	IT 6525 NF XM ZZ	2.190,00
HH	IT 6525 HH XM ZZ	2.595,00
CZ	IT 6525 CZ XM ZZ	2.595,00
DZ	IT 6525 DZ XM ZZ	3.506,00
SZ	IT 6525 SZ XM ZZ	3.506,00

Gruppo doccia termostatico con doccetta e soffione anticalcare e saliscendi
 Wall-mtd. thermostatic shower set with anti-limescale hand-shower, shower head and sliding bar
 Mitigeur thermostatique mural, douchette, tête de douche anticalcaire et barre coulissante
 Regenbrause-Set mit Thermostat-Armatur, Antikalk Handbrause, Kopfbrause und Gleitstange



X-Change_mono

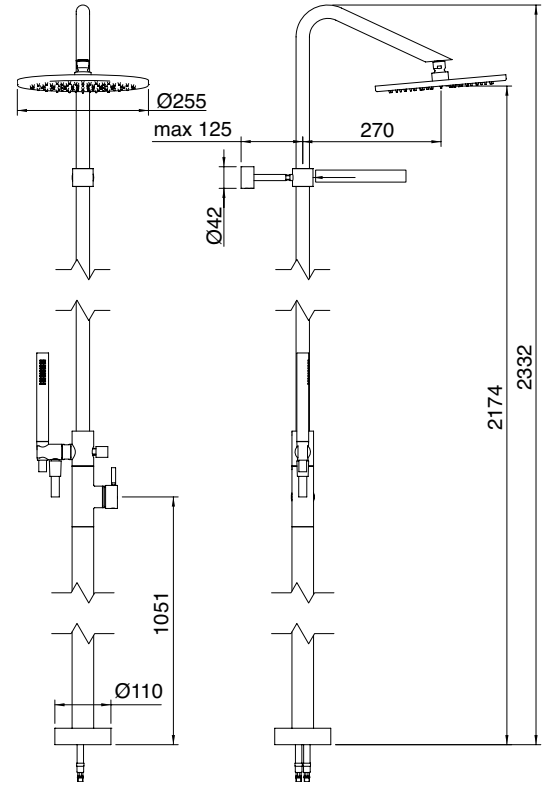
RAN
HASK
PA36
UP+
TIME - TIME_OUT
NANOtech
XERO
BAMBOO
LINE
X-CHANGE_mono



CC	RWIT 7562 CC 10	1.080,00
NN	RWIT 7562 NN 10	1.533,00
BB	RWIT 7562 BB 10	1.533,00
NL	RWIT 7562 NL 10	1.510,00
NF	RWIT 7562 NF 10	1.510,00
HH	RWIT 7562 HH 10	1.857,00
CZ	RWIT 7562 CZ 10	1.857,00
DZ	RWIT 7562 DZ 10	2.385,00
SZ	RWIT 7562 SZ 10	2.385,00

Miscelatore monocomando doccia da terra
Floor standing shower mixer
Mitigeur douche sur colonne au sol
Regenbrause-Set/Standarmatur m. EHM,
Handbrause und Kopfbrause

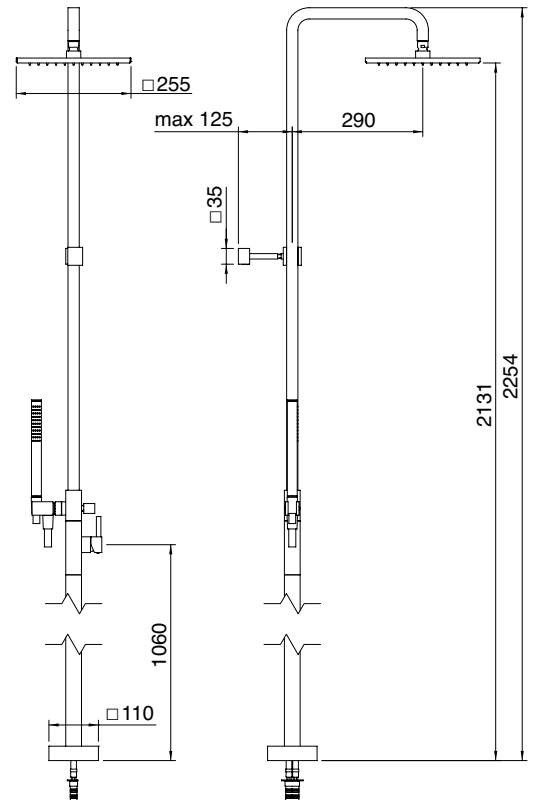
RWIT 5703 ZZ 07 212,00
+  PARTI INCASSO - CONCEALED BODY
CORPS À ENCASTRER - UNTERPUTZTEIL



CC	RWIT 7762 CC 10	1.903,00
NN	RWIT 7762 NN 10	2.702,00
BB	RWIT 7762 BB 10	2.702,00
NL	RWIT 7762 NL 10	2.664,00
NF	RWIT 7762 NF 10	2.664,00
HH	RWIT 7762 HH 10	3.272,00
CZ	RWIT 7762 CZ 10	3.272,00
DZ	RWIT 7762 DZ 10	4.204,00
SZ	RWIT 7762 SZ 10	4.204,00

Miscelatore monocomando doccia da terra
Floor standing shower mixer
Mitigeur douche sur colonne au sol
Regenbrause-Set/Standarmatur m. EHM,
Handbrause und Kopfbrause

RWIT 5703 ZZ 07 212,00
+  PARTI INCASSO - CONCEALED BODY
CORPS À ENCASTRER - UNTERPUTZTEIL





RWIT 7762 CC 10

X-Change_mono

RAN

HASK

PA36

UP+

TIME - TIME_OUT

NANOtech

XERO

BAMBOO

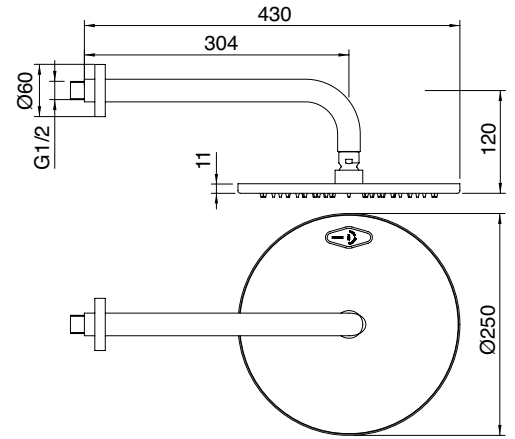
LINE

X-CHANGE_mono



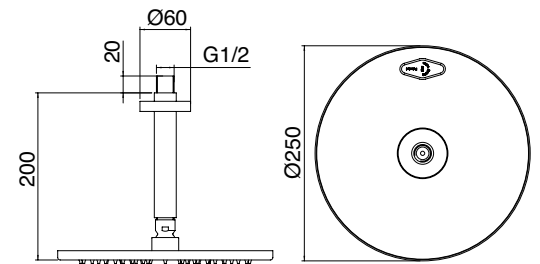
CC	IT 6586 CC ZZ VS	311,00
NN	IT 6586 NN ZZ VS	414,00
BB	IT 6586 BB ZZ VS	414,00
NL	IT 6586 NL ZZ VS	404,00
NF	IT 6586 NF ZZ VS	404,00
HH	IT 6586 HH ZZ VS	478,00
CZ	IT 6586 CZ ZZ VS	478,00
DZ	IT 6586 DZ ZZ VS	646,00
SZ	IT 6586 SZ ZZ VS	646,00

Soffione a parete anticalcare
Anti-limescale shower-head
Douche de tête anticalcaire avec bras mural
Antikalk Kopfbrause mit Arm



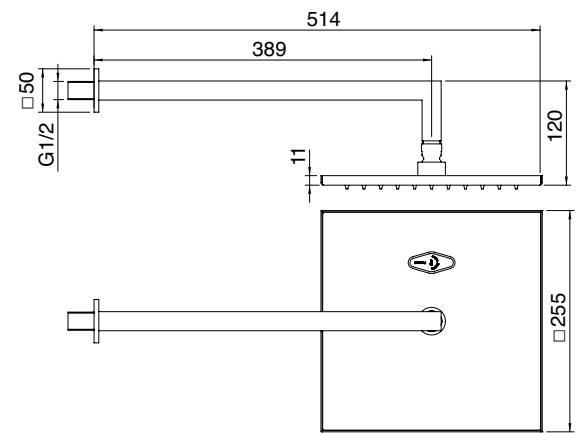
CC	IT 6587 CC ZZ VS	292,00
NN	IT 6587 NN ZZ VS	388,00
BB	IT 6587 BB ZZ VS	388,00
NL	IT 6587 NL ZZ VS	380,00
NF	IT 6587 NF ZZ VS	380,00
HH	IT 6587 HH ZZ VS	449,00
CZ	IT 6587 CZ ZZ VS	449,00
DZ	IT 6587 DZ ZZ VS	606,00
SZ	IT 6587 SZ ZZ VS	606,00

Soffione a soffitto anticalcare
Ceiling anti-limescale shower-head
Douche de tête anticalcaire avec bras au plafond
Antikalk Regenbrause mit Deckenanbindung



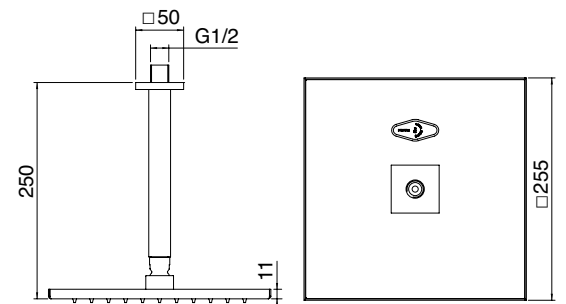
CC	IT 0486 CC ZZ ZZ	334,00
NN	IT 0486 NN ZZ ZZ	444,00
BB	IT 0486 BB ZZ ZZ	444,00
NL	IT 0486 NL ZZ ZZ	435,00
NF	IT 0486 NF ZZ ZZ	435,00
HH	IT 0486 HH ZZ ZZ	514,00
CZ	IT 0486 CZ ZZ ZZ	514,00
DZ	IT 0486 DZ ZZ ZZ	695,00
SZ	IT 0486 SZ ZZ ZZ	695,00

Soffione a parete anticalcare
Anti-limescale shower-head
Douche de tête anticalcaire avec bras mural
Antikalk Kopfbrause mit Arm



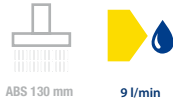
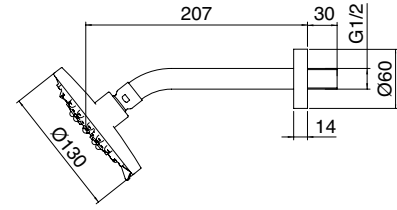
CC	IT 0496 CC ZZ ZZ	300,00
NN	IT 0496 NN ZZ ZZ	400,00
BB	IT 0496 BB ZZ ZZ	400,00
NL	IT 0496 NL ZZ ZZ	391,00
NF	IT 0496 NF ZZ ZZ	391,00
HH	IT 0496 HH ZZ ZZ	463,00
CZ	IT 0496 CZ ZZ ZZ	463,00
DZ	IT 0496 DZ ZZ ZZ	624,00
SZ	IT 0496 SZ ZZ ZZ	624,00

Soffione a soffitto anticalcare
Ceiling anti-limescale shower-head
Douche de tête anticalcaire avec bras au plafond
Antikalk Regenbrause mit Deckenanbindung



CC IT 0498 CC ZZ ZZ 120,00

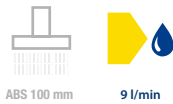
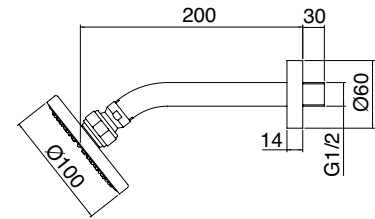
Soffione 3 getti
3 jets shower-head
Douche de tête 3 jets
Kopfbrause mit 3 Strahlarten



ABS 130 mm 9 l/min

CC IT 6570 CC ZZ ZZ 92,00
NN IT 6570 NN ZZ ZZ 123,00
BB IT 6570 BB ZZ ZZ 120,00

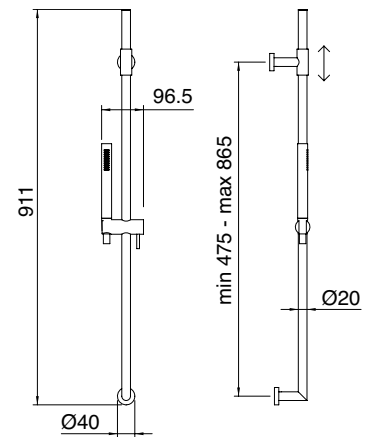
Soffione a parete anticalcare
Anti-limescale shower-head
Douche de tête anticalcaire avec bras mural
Antikalk Kopfbrause mit Arm



ABS 100 mm 9 l/min

CC IT 6529 CC ZZ ZZ 223,00
NN IT 6529 NN ZZ ZZ 319,00
BB IT 6529 BB ZZ ZZ 319,00
NL IT 6529 NL ZZ ZZ 315,00
NF IT 6529 NF ZZ ZZ 315,00
HH IT 6529 HH ZZ ZZ 343,00
CZ IT 6529 CZ ZZ ZZ 343,00
DZ IT 6529 DZ ZZ ZZ 463,00
SZ IT 6529 SZ ZZ ZZ 463,00

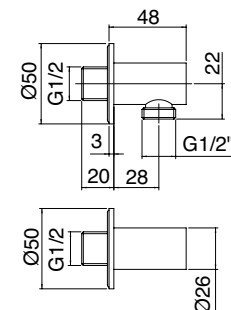
Kit saliscendi senza presa acqua
Sliding-bar kit without wall hose outlet
Barre coulissante sans coude mural
Gleitstange ohne Wandaschlussbogen



FLEX 1,5 M PVC METAL 8 l/min

CC IT RTGA 123 CC 25,00
NN IT RTGA 123 NN 39,00
BB IT RTGA 123 BB 39,00
NL IT RTGA 123 NL 49,00
NF IT RTGA 123 NF 49,00
HH IT RTGA 123 HH 27,00
CZ IT RTGA 123 CZ 27,00
DZ IT RTGA 123 DZ 38,00
SZ IT RTGA 123 SZ 38,00

Presa acqua a muro
Wall hose outlet
Coude mural
Wandaschlussbogen



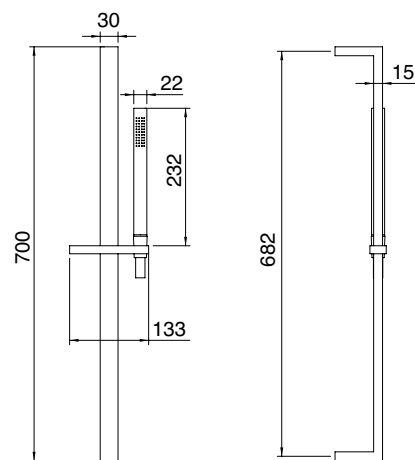
1/2 M 1/2 M

X-Change_mono



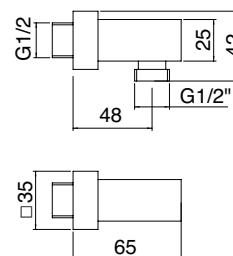
CC	IT 0411 CC ZZ ZZ	279,00
NN	IT 0411 NN ZZ ZZ	380,00
BB	IT 0411 BB ZZ ZZ	380,00
NL	IT 0411 NL ZZ ZZ	374,00
NF	IT 0411 NF ZZ ZZ	374,00
HH	IT 0411 HH ZZ ZZ	430,00
CZ	IT 0411 CZ ZZ ZZ	430,00
DZ	IT 0411 DZ ZZ ZZ	578,00
SZ	IT 0411 SZ ZZ ZZ	578,00

Kit saliscendi senza presa acqua
Sliding-bar kit without wall hose outlet
Barre coulissante sans coude mural
Gleitstange ohne Wandanschlussbogen



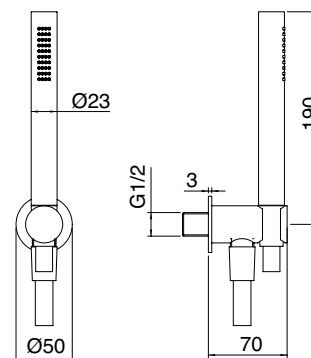
CC	IT RTGA 119 CC	39,00
NN	IT RTGA 119 NN	50,00
BB	IT RTGA 119 BB	50,00
NL	IT RTGA 119 NL	51,00
NF	IT RTGA 119 NF	51,00
HH	IT RTGA 119 HH	58,00
CZ	IT RTGA 119 CZ	58,00
DZ	IT RTGA 119 DZ	79,00
SZ	IT RTGA 119 SZ	79,00

Presa acqua a muro
Wall hose outlet
Coude mural
Wandanschlussbogen



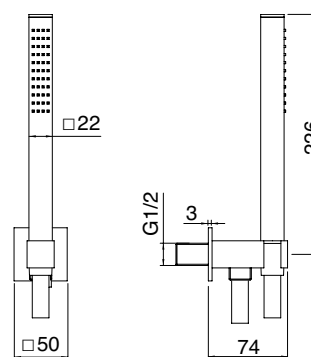
CC	RWIT 2705 CC 74	123,00
NN	RWIT 2705 NN 74	189,00
BB	RWIT 2705 BB 74	189,00
NL	RWIT 2705 NL 74	184,00
NF	RWIT 2705 NF 74	184,00
HH	RWIT 2705 HH 74	189,00
CZ	RWIT 2705 CZ 74	189,00
DZ	RWIT 2705 DZ 74	255,00
SZ	RWIT 2705 SZ 74	255,00

Kit gancio, flessibile, doccia
Hook, flexible and hand shower kit
Kit support, flexible et douche
Brausehalter, Schlauch und Handbrause



CC	RWIT 5605 CC 74	182,00
NN	RWIT 5605 NN 74	254,00
BB	RWIT 5605 BB 74	254,00
NL	RWIT 5605 NL 74	244,00
NF	RWIT 5605 NF 74	244,00
HH	RWIT 5605 HH 74	278,00
CZ	RWIT 5605 CZ 74	278,00
DZ	RWIT 5605 DZ 74	374,00
SZ	RWIT 5605 SZ 74	374,00

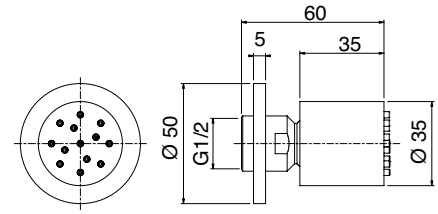
Kit gancio, flessibile, doccia
Hook, flexible and hand shower kit
Kit support, flexible et douche
Brausehalter, Schlauch und Handbrause





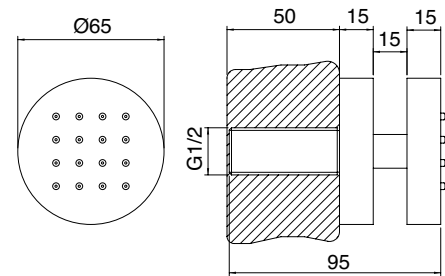
CC	IT RTBR 205 CC	64,00
NN	IT RTBR 205 NN	86,00
BB	IT RTBR 205 BB	86,00
NL	IT RTBR 205 NL	112,00
NF	IT RTBR 205 NF	112,00
HH	IT RTBR 205 HH	99,00
CZ	IT RTBR 205 CZ	99,00
DZ	IT RTBR 205 DZ	133,00
SZ	IT RTBR 205 SZ	133,00

Soffione laterale
Nozzle
Buse
Düse



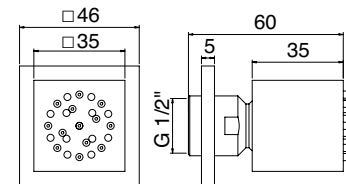
CC	IT RTBR 277 CC	112,00
NN	IT RTBR 277 NN	149,00
BB	IT RTBR 277 BB	149,00
NL	IT RTBR 277 NL	157,00
NF	IT RTBR 277 NF	157,00
HH	IT RTBR 277 HH	171,00
CZ	IT RTBR 277 CZ	171,00
DZ	IT RTBR 277 DZ	231,00
SZ	IT RTBR 277 SZ	231,00

Soffione laterale
Nozzle
Buse
Düse



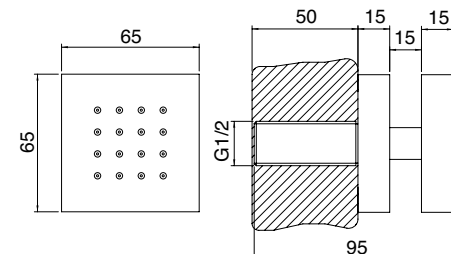
CC	IT RTBR 203 CC	94,00
NN	IT RTBR 203 NN	126,00
BB	IT RTBR 203 BB	126,00
NL	IT RTBR 203 NL	123,00
NF	IT RTBR 203 NF	123,00
HH	IT RTBR 203 HH	146,00
CZ	IT RTBR 203 CZ	146,00
DZ	IT RTBR 203 DZ	196,00
SZ	IT RTBR 203 SZ	196,00

Soffione laterale
Nozzle
Buse
Düse



CC	IT RTBR 278 CC	163,00
NN	IT RTBR 278 NN	218,00
BB	IT RTBR 278 BB	218,00
NL	IT RTBR 278 NL	212,00
NF	IT RTBR 278 NF	212,00
HH	IT RTBR 278 HH	252,00
CZ	IT RTBR 278 CZ	252,00
DZ	IT RTBR 278 DZ	339,00
SZ	IT RTBR 278 SZ	339,00

Soffione laterale
Nozzle
Buse
Düse



X-Change_mono

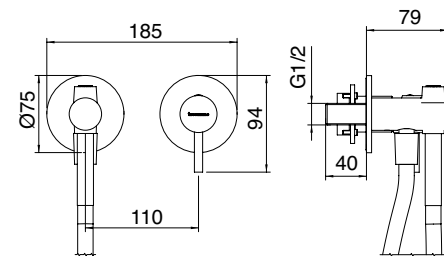


CC	RWIT 58D4 CC 05	221,00
NN	RWIT 58D4 NN 05	313,00
BB	RWIT 58D4 BB 05	313,00
NL	RWIT 58D4 NL 05	308,00
NF	RWIT 58D4 NF 05	308,00
HH	RWIT 58D4 HH 05	379,00
CZ	RWIT 58D4 CZ 05	379,00
DZ	RWIT 58D4 DZ 05	487,00
SZ	RWIT 58D4 SZ 05	487,00

Miscelatore incasso con doccia per WC
 Concealed mixer with wc hand shower
 Mitigeur à encastrer avec douche WC
 U-P Mischer mit WC Handbrause



RWIT 51A5 ZZ 01 138,00
 + PARTI INCASSO - CONCEALED BODY
 CORPS À ENCASTRER - UNTERPUTZTEIL

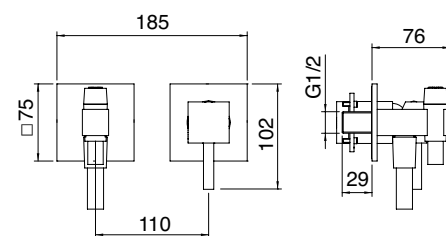


CC	RWIT 76D4 CC 05	306,00
NN	RWIT 76D4 NN 05	435,00
BB	RWIT 76D4 BB 05	435,00
NL	RWIT 76D4 NL 05	429,00
NF	RWIT 76D4 NF 05	429,00
HH	RWIT 76D4 HH 05	526,00
CZ	RWIT 76D4 CZ 05	526,00
DZ	RWIT 76D4 DZ 05	676,00
SZ	RWIT 76D4 SZ 05	676,00

Miscelatore incasso con doccia per WC
 Concealed mixer with wc hand shower
 Mitigeur à encastrer avec douche WC
 U-P Mischer mit WC Handbrause

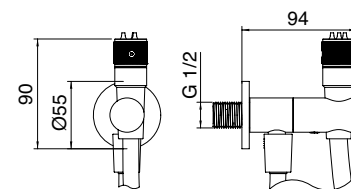


RWIT 51A5 ZZ 01 138,00
 + PARTI INCASSO - CONCEALED BODY
 CORPS À ENCASTRER - UNTERPUTZTEIL

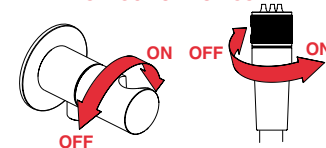


CC	RWIT 6565 CC 05	273,00
NN	RWIT 6565 NN 05	364,00
BB	RWIT 6565 BB 05	364,00
NL	RWIT 6565 NL 05	356,00
NF	RWIT 6565 NF 05	356,00
HH	RWIT 6565 HH 05	422,00
CZ	RWIT 6565 CZ 05	422,00
DZ	RWIT 6565 DZ 05	569,00
SZ	RWIT 6565 SZ 05	569,00

Idroscopino per WC
 WC hand shower set
 Douchette pour WC
 Handbrause Set für WC

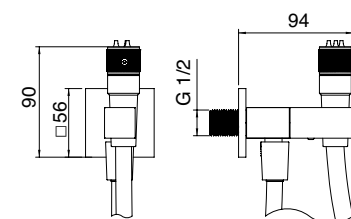
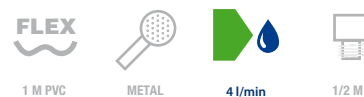


INSTRUCTION FOR USE

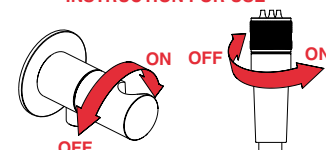


CC	RWIT 6565 CC 10	289,00
NN	RWIT 6565 NN 10	385,00
BB	RWIT 6565 BB 10	385,00
NL	RWIT 6565 NL 10	375,00
NF	RWIT 6565 NF 10	375,00
HH	RWIT 6565 HH 10	445,00
CZ	RWIT 6565 CZ 10	445,00
DZ	RWIT 6565 DZ 10	601,00
SZ	RWIT 6565 SZ 10	601,00

Idroscopino per WC
 WC hand shower set
 Douchette pour WC
 Handbrause Set für WC



INSTRUCTION FOR USE



Per ulteriori composizioni doccia vedi sezione SHOWERS & THERMOSTATICS
 For other shower fittings check the SHOWERS & THERMOSTATICS section
 Pour d'autres solutions douche voir section SHOWERS & THERMOSTATICS
 Für weitere duschaustattungen siehe abschnitt SHOWERS & THERMOSTATICS

X-Change

design by treemme

- chrome **CC**
- matt black **NN**
- matt white **BB**
- polished nickel **NL**
- brushed nickel **NF**
- polished black chrome **HH**
- brushed black chrome **CZ**
- brushed gold **DZ**
- brushed rose gold **SZ**

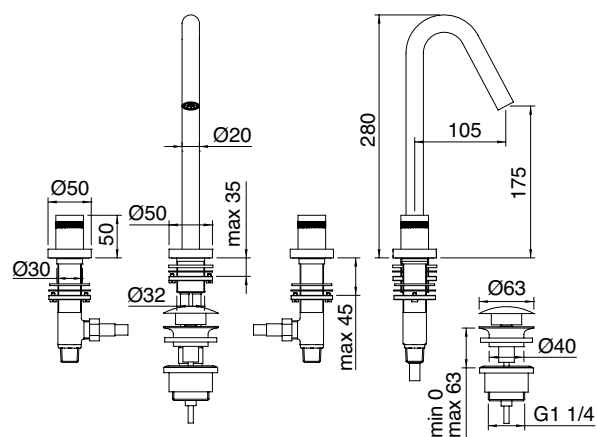


X-Change XR



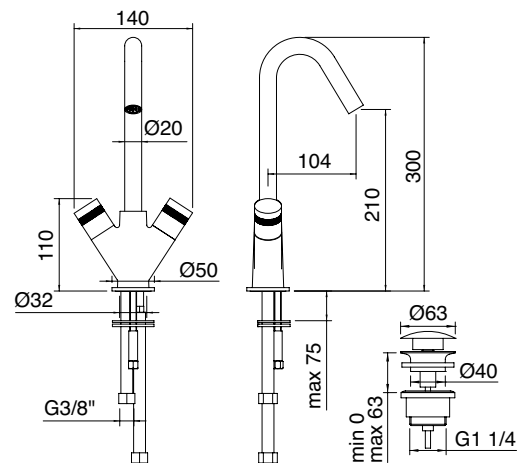
CC	IT 7216 CC XR ZZ	348,00
NN	IT 7216 NN XR ZZ	463,00
BB	IT 7216 BB XR ZZ	463,00
NL	IT 7216 NL XR ZZ	452,00
NF	IT 7216 NF XR ZZ	452,00
HH	IT 7216 HH XR ZZ	535,00
CZ	IT 7216 CZ XR ZZ	535,00
DZ	IT 7216 DZ XR ZZ	723,00
SZ	IT 7216 SZ XR ZZ	723,00

Batteria lavabo 3 fori
3 hole washbasin mixer
Mélangeur lavabo 3 trous
Waschtisch Dreilochbatterie



CC	IT 7215 CC XR ZZ	286,00
NN	IT 7215 NN XR ZZ	380,00
BB	IT 7215 BB XR ZZ	380,00
NL	IT 7215 NL XR ZZ	371,00
NF	IT 7215 NF XR ZZ	371,00
HH	IT 7215 HH XR ZZ	439,00
CZ	IT 7215 CZ XR ZZ	439,00
DZ	IT 7215 DZ XR ZZ	592,00
SZ	IT 7215 SZ XR ZZ	592,00

Miscelatore lavabo 2 maniglie
2-handle basin mixer
Mélangeur lavabo monotrou
2-Griff Waschtischarmatur



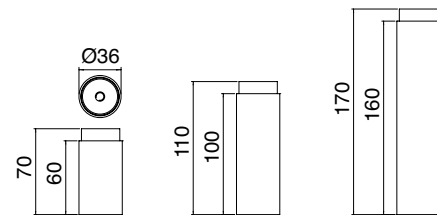
CC	IT 0473 CC ZZ ZZ	41,00	CC	IT 0483 CC ZZ ZZ	68,00	CC	RWIT 1015 CC 03	93,00
NN	IT 0473 NN ZZ ZZ	54,00	NN	IT 0483 NN ZZ ZZ	91,00	NN	RWIT 1015 NN 03	124,00
BB	IT 0473 BB ZZ ZZ	54,00	BB	IT 0483 BB ZZ ZZ	91,00	BB	RWIT 1015 BB 03	124,00
NL	IT 0473 NL ZZ ZZ	53,00	NL	IT 0483 NL ZZ ZZ	89,00	NL	RWIT 1015 NL 03	121,00
NF	IT 0473 NF ZZ ZZ	53,00	NF	IT 0483 NF ZZ ZZ	89,00	NF	RWIT 1015 NF 03	121,00
HH	IT 0473 HH ZZ ZZ	62,00	HH	IT 0483 HH ZZ ZZ	106,00	HH	RWIT 1015 HH 03	144,00
CZ	IT 0473 CZ ZZ ZZ	62,00	CZ	IT 0483 CZ ZZ ZZ	106,00	CZ	RWIT 1015 CZ 03	144,00
DZ	IT 0473 DZ ZZ ZZ	84,00	DZ	IT 0483 DZ ZZ ZZ	143,00	DZ	RWIT 1015 DZ 03	193,00
SZ	IT 0473 SZ ZZ ZZ	84,00	SZ	IT 0483 SZ ZZ ZZ	143,00	SZ	RWIT 1015 SZ 03	193,00

60 mm

100 mm

160 mm

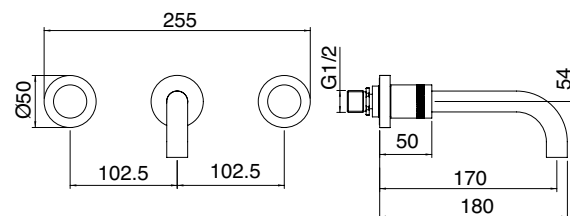
Prolunga per Art. IT 7215 __ XR ZZ
Basin extension Art. IT 7215 __ XR ZZ
Kit de rallonge pour Art. IT 7215 __ XR ZZ
Verlängerung für Art. IT 7215 __ XR ZZ



CC	RWIT 7252 CC 10	183,00
NN	RWIT 7252 NN 10	258,00
BB	RWIT 7252 BB 10	258,00
NL	RWIT 7252 NL 10	255,00
NF	RWIT 7252 NF 10	255,00
HH	RWIT 7252 HH 10	312,00
CZ	RWIT 7252 CZ 10	312,00
DZ	RWIT 7252 DZ 10	400,00
SZ	RWIT 7252 SZ 10	400,00

Gruppo lavabo a muro 170
Concealed 3 hole washbasin 170
Mélangeur lavabo à encastrer 170
UP-Waschtisch batterie 170

RWIT 7252 ZZ 01 155,00
+ PARTI INCASSO - CONCEALED BODY
CORPS À ENCASTRER - UNTERPUTZTEIL





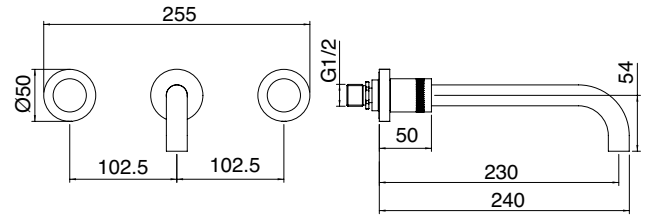


CC	RWIT 7260 CC 10	188,00
NN	RWIT 7260 NN 10	265,00
BB	RWIT 7260 BB 10	265,00
NL	RWIT 7260 NL 10	262,00
NF	RWIT 7260 NF 10	262,00
HH	RWIT 7260 HH 10	322,00
CZ	RWIT 7260 CZ 10	322,00
DZ	RWIT 7260 DZ 10	412,00
SZ	RWIT 7260 SZ 10	412,00

Gruppo lavabo a muro 230
 Concealed 3 hole washbasin 230
 Mélangeur lavabo à encastrer 230
 UP-Waschtisch batterie 230



RWIT 7252 ZZ 01 155,00
 + PARTI INCASO - CONCEALED BODY
 CORPS À ENCASTRER - UNTERPUTZTEIL

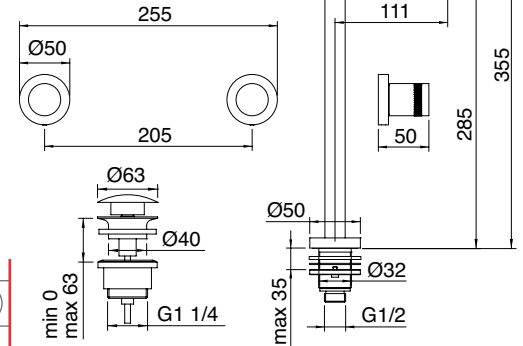


CC	RWIT 7285 CC 10	264,00
NN	RWIT 7285 NN 10	374,00
BB	RWIT 7285 BB 10	374,00
NL	RWIT 7285 NL 10	369,00
NF	RWIT 7285 NF 10	369,00
HH	RWIT 7285 HH 10	454,00
CZ	RWIT 7285 CZ 10	454,00
DZ	RWIT 7285 DZ 10	582,00
SZ	RWIT 7285 SZ 10	582,00

Batteria lavabo 3 fori
 3 hole washbasin mixer
 Mélangeur lavabo 3 trous
 Waschtisch Dreilochbatterie



RWIT 7252 ZZ 01 155,00
 + PARTI INCASO - CONCEALED BODY
 CORPS À ENCASTRER - UNTERPUTZTEIL

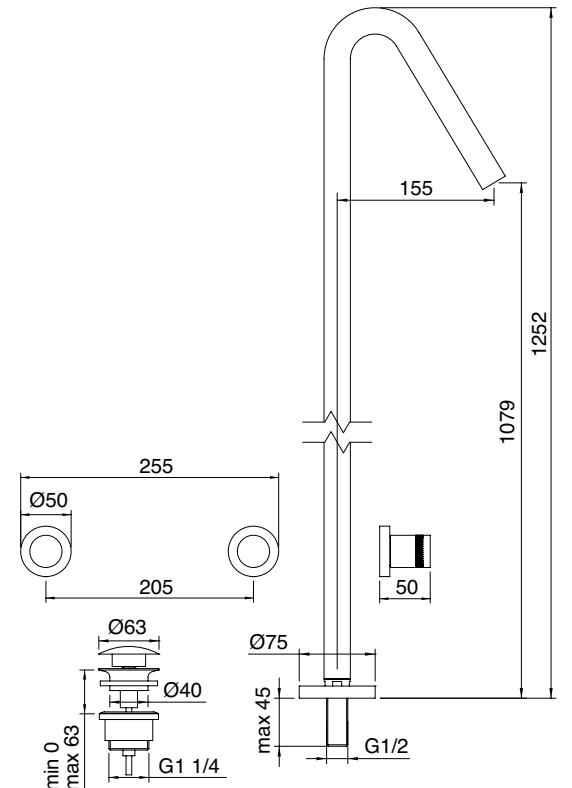


CC	RWIT 7282 CC 10	354,00
NN	RWIT 7282 NN 10	503,00
BB	RWIT 7282 BB 10	503,00
NL	RWIT 7282 NL 10	495,00
NF	RWIT 7282 NF 10	495,00
HH	RWIT 7282 HH 10	609,00
CZ	RWIT 7282 CZ 10	609,00
DZ	RWIT 7282 DZ 10	782,00
SZ	RWIT 7282 SZ 10	782,00

Batteria lavabo 3 fori
 3 hole washbasin mixer
 Mélangeur lavabo 3 trous
 Waschtisch Dreilochbatterie



RWIT 7252 ZZ 01 155,00
 + PARTI INCASO - CONCEALED BODY
 CORPS À ENCASTRER - UNTERPUTZTEIL



X-Change XR

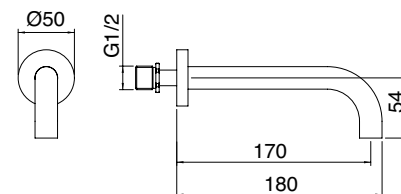


CC	IT 7263 CC ZZ ZZ	77,00
NN	IT 7263 NN ZZ ZZ	100,00
BB	IT 7263 BB ZZ ZZ	100,00
NL	IT 7263 NL ZZ ZZ	98,00
NF	IT 7263 NF ZZ ZZ	98,00
HH	IT 7263 HH ZZ ZZ	117,00
CZ	IT 7263 CZ ZZ ZZ	117,00
DZ	IT 7263 DZ ZZ ZZ	157,00
SZ	IT 7263 SZ ZZ ZZ	157,00

Bocca a muro 170
Wall-mtd. spout 170
Bec mural 170
Wandauslauf 170



ITRTAE137ZZ ITRTAT105ZZ 5 l/min

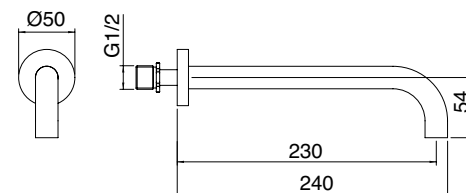


CC	IT 7261 CC ZZ ZZ	83,00
NN	IT 7261 NN ZZ ZZ	110,00
BB	IT 7261 BB ZZ ZZ	110,00
NL	IT 7261 NL ZZ ZZ	107,00
NF	IT 7261 NF ZZ ZZ	107,00
HH	IT 7261 HH ZZ ZZ	127,00
CZ	IT 7261 CZ ZZ ZZ	127,00
DZ	IT 7261 DZ ZZ ZZ	170,00
SZ	IT 7261 SZ ZZ ZZ	170,00

Bocca a muro 230
Wall-mtd. spout 230
Bec mural 230
Wandauslauf 230



ITRTAE137ZZ ITRTAT105ZZ 5 l/min

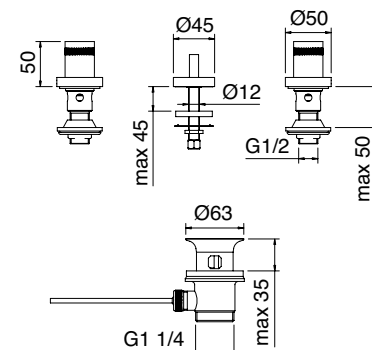


CC	IT 7220 CC XR ZZ	213,00
NN	IT 7220 NN XR ZZ	283,00
BB	IT 7220 BB XR ZZ	283,00
NL	IT 7220 NL XR ZZ	277,00
NF	IT 7220 NF XR ZZ	277,00
HH	IT 7220 HH XR ZZ	328,00
CZ	IT 7220 CZ XR ZZ	328,00
DZ	IT 7220 DZ XR ZZ	441,00
SZ	IT 7220 SZ XR ZZ	441,00

Batteria bidet senza canna
3 hole bidet without spout
Mélangeur bidet 3 trous sans bec
Bidet Dreilochbatterie ohne Auslauf



ITRTVT101CC ITRTSA106 24 l/min

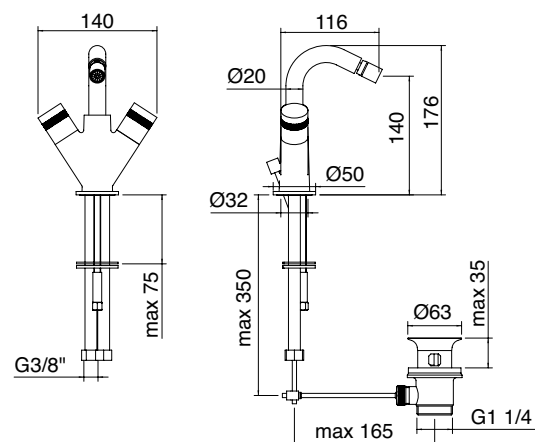


CC	IT 7224 CC XR ZZ	276,00
NN	IT 7224 NN XR ZZ	366,00
BB	IT 7224 BB XR ZZ	366,00
NL	IT 7224 NL XR ZZ	358,00
NF	IT 7224 NF XR ZZ	358,00
HH	IT 7224 HH XR ZZ	423,00
CZ	IT 7224 CZ XR ZZ	423,00
DZ	IT 7224 DZ XR ZZ	572,00
SZ	IT 7224 SZ XR ZZ	572,00

Miscelatore bidet 2 maniglie
2-handle bidet mixer
Mélangeur bidet monotrou
2-Griff Bidetarmatur



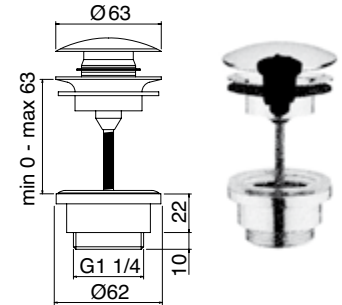
ITRTVT101CC ITRTSA106 43° ITRTAE106 + ITRTAE110 6 l/min





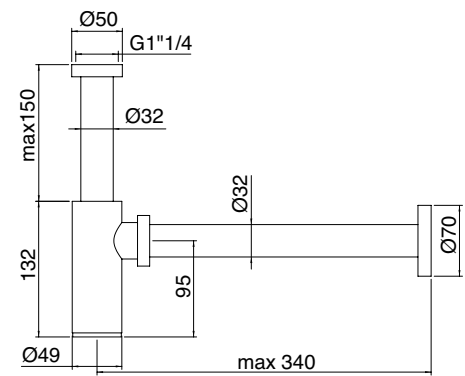
CC	IT RTSA 117 CC	28,00
NN	IT RTSA 117 NN	38,00
BB	IT RTSA 117 BB	38,00
NL	IT RTSA 117 NL	39,00
NF	IT RTSA 117 NF	39,00
HH	IT RTSA 117 HH	45,00
CZ	IT RTSA 117 CZ	45,00
DZ	IT RTSA 117 DZ	59,00
SZ	IT RTSA 117 SZ	59,00

Scarico click-clack universale con inserto per sempre aperto
 Universal up/down pop-up waste with adaptor for continuous water flow
 Bonde click-clack universelle avec option écoulement libre
 Universal-Abflussgarnitur Click-Click mit Verschlussperre



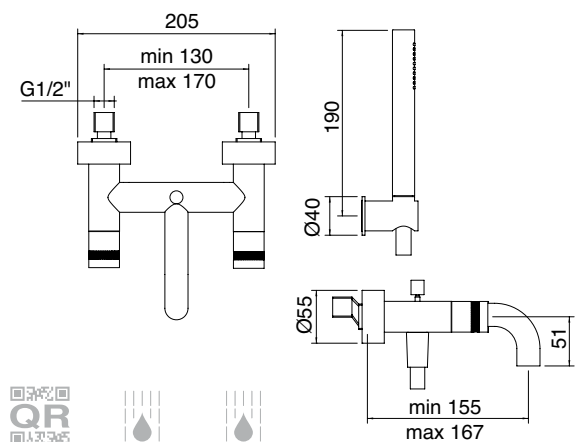
CC	IT 0405 CC ZZ ZZ	88,00
NN	IT 0405 NN ZZ ZZ	177,00
BB	IT 0405 BB ZZ ZZ	177,00
NL	IT 0405 NL ZZ ZZ	167,00
NF	IT 0405 NF ZZ ZZ	167,00
HH	IT 0405 HH ZZ ZZ	136,00
CZ	IT 0405 CZ ZZ ZZ	136,00
DZ	IT 0405 DZ ZZ ZZ	184,00
SZ	IT 0405 SZ ZZ ZZ	184,00

Sifone a vista
 Drain-trap
 Siphon
 Siphon für Waschtisch



CC	IT 7200 CC XR ZZ	419,00
NN	IT 7200 NN XR ZZ	557,00
BB	IT 7200 BB XR ZZ	557,00
NL	IT 7200 NL XR ZZ	544,00
NF	IT 7200 NF XR ZZ	544,00
HH	IT 7200 HH XR ZZ	645,00
CZ	IT 7200 CZ XR ZZ	645,00
DZ	IT 7200 DZ XR ZZ	870,00
SZ	IT 7200 SZ XR ZZ	870,00

Gruppo vasca
 Wall-mtd. bathtub
 Mélangeur bain/douche mural
 Wanne/Brause Armatur A.P.

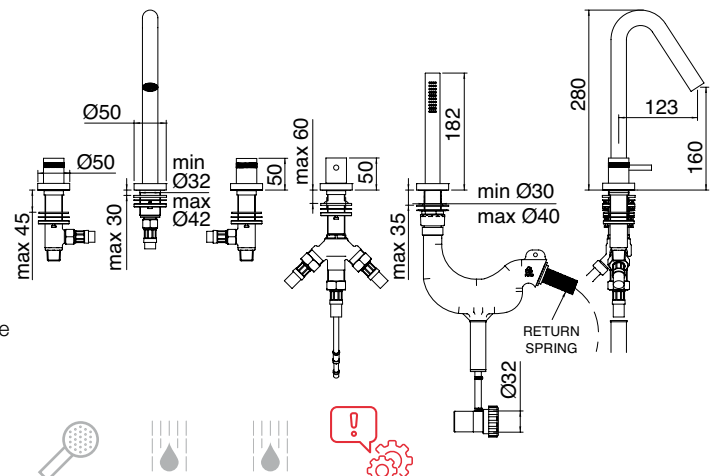


ITRTV101CC ITRTAE128ZZ ITRTAT118ZZ 1,5 M PVC METAL N° 67 ≧ 25 l/min ≧ 8 l/min



CC	IT 7206 CC XR ZZ	955,00
NN	IT 7206 NN XR ZZ	1.270,00
BB	IT 7206 BB XR ZZ	1.270,00
NL	IT 7206 NL XR ZZ	1.243,00
NF	IT 7206 NF XR ZZ	1.243,00
HH	IT 7206 HH XR ZZ	1.471,00
CZ	IT 7206 CZ XR ZZ	1.471,00
DZ	IT 7206 DZ XR ZZ	1.987,00
SZ	IT 7206 SZ XR ZZ	1.987,00

Batteria bordo vasca a 5 fori
 con doccetta estraibile
 5 hole deck-mounted bathtub
 Mélangeur bain/douche 5 trous sur gorge
 Fünfloch - Wannenrandarmatur



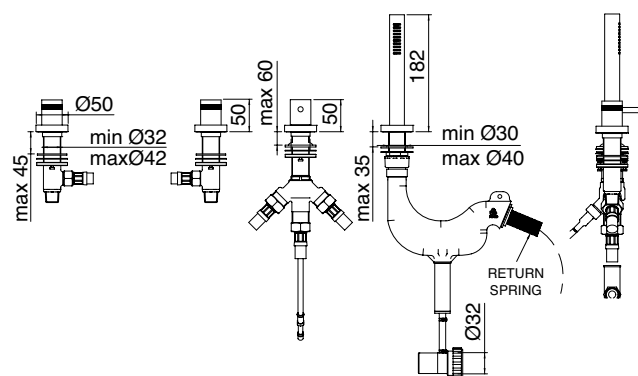
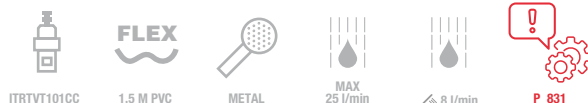
ITRTV101CC ITRTAE128ZZ ITRTAT118ZZ 1,5 M PVC METAL ≧ 24 l/min ≧ 8 l/min P_831

X-Change XR



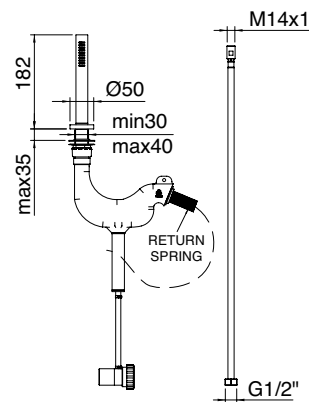
CC	IT 7270 CC XR ZZ	862,00
NN	IT 7270 NN XR ZZ	1.146,00
BB	IT 7270 BB XR ZZ	1.146,00
NL	IT 7270 NL XR ZZ	1.119,00
NF	IT 7270 NF XR ZZ	1.119,00
HH	IT 7270 HH XR ZZ	1.326,00
CZ	IT 7270 CZ XR ZZ	1.326,00
DZ	IT 7270 DZ XR ZZ	1.791,00
SZ	IT 7270 SZ XR ZZ	1.791,00

Batteria bordo vasca con doccetta estraibile senza bocca
 Deck-mounted bathtub without spout
 Mitigeur bain/douche sur gorge sans bec
 Wannenrandarmatur ohne Auslauf



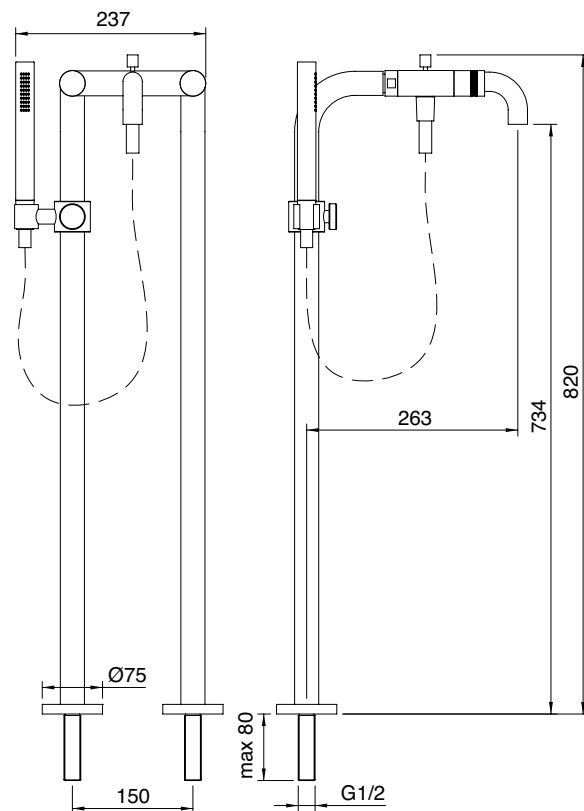
CC	RWIT 2765 CC 25	222,00
NN	RWIT 2765 NN 25	295,00
BB	RWIT 2765 BB 25	295,00
NL	RWIT 2765 NL 25	289,00
NF	RWIT 2765 NF 25	289,00
HH	RWIT 2765 HH 25	341,00
CZ	RWIT 2765 CZ 25	341,00
DZ	RWIT 2765 DZ 25	460,00
SZ	RWIT 2765 SZ 25	460,00

Doccetta estraibile bordo vasca
 Deck-mounted retractable handshower
 Douchette extractible sur gorge
 Versenkbare Schlauchbrause



CC	IT 7284 CC XR ZZ	798,00
NN	IT 7284 NN XR ZZ	1.060,00
BB	IT 7284 BB XR ZZ	1.060,00
NL	IT 7284 NL XR ZZ	1.037,00
NF	IT 7284 NF XR ZZ	1.037,00
HH	IT 7284 HH XR ZZ	1.228,00
CZ	IT 7284 CZ XR ZZ	1.228,00
DZ	IT 7284 DZ XR ZZ	1.658,00
SZ	IT 7284 SZ XR ZZ	1.658,00

Gruppo vasca esterno su colonne
 Bathtub mixer with standpipes
 Mélangeur bain douche sur tuyaux
 Freistehende Zweigriff - Wannenfüllarmatur





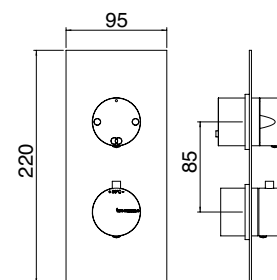
X-Change XR



CC	RWIT 8A46 CC 03	230,00
NN	RWIT 8A46 NN 03	327,00
BB	RWIT 8A46 BB 03	327,00
NL	RWIT 8A46 NL 03	323,00
NF	RWIT 8A46 NF 03	323,00
HH	RWIT 8A46 HH 03	396,00
CZ	RWIT 8A46 CZ 03	396,00
DZ	RWIT 8A46 DZ 03	508,00
SZ	RWIT 8A46 SZ 03	508,00

Termostatico incasso con deviatore 2 uscite
 Concealed thermostatic with 2 ways diverter
 Thermostatique à encastrer avec inverseur à 2 sorties
 UP-Thermostat mit 2 Wege Umsteller

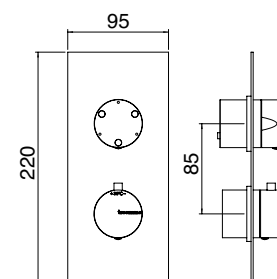
RWIT 8A46 ZZ 20 309,00
 + PARTI INCASSO - CONCEALED BODY
 CORPS À ENCASTRER - UNTERPUTZTEIL



CC	RWIT 8A72 CC 03	277,00
NN	RWIT 8A72 NN 03	393,00
BB	RWIT 8A72 BB 03	393,00
NL	RWIT 8A72 NL 03	388,00
NF	RWIT 8A72 NF 03	388,00
HH	RWIT 8A72 HH 03	475,00
CZ	RWIT 8A72 CZ 03	475,00
DZ	RWIT 8A72 DZ 03	611,00
SZ	RWIT 8A72 SZ 03	611,00

Termostatico incasso con deviatore 3 uscite
 Concealed thermostatic with 3 ways diverter
 Thermostatique à encastrer avec inverseur à 3 sorties
 UP-Thermostat mit 3 Wege Umsteller

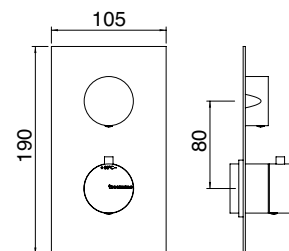
RWIT 8A46 ZZ 20 309,00
 + PARTI INCASSO - CONCEALED BODY
 CORPS À ENCASTRER - UNTERPUTZTEIL



CC	RWIT 7287 CC 35	201,00
NN	RWIT 7287 NN 35	286,00
BB	RWIT 7287 BB 35	286,00
NL	RWIT 7287 NL 35	282,00
NF	RWIT 7287 NF 35	282,00
HH	RWIT 7287 HH 35	347,00
CZ	RWIT 7287 CZ 35	347,00
DZ	RWIT 7287 DZ 35	444,00
SZ	RWIT 7287 SZ 35	444,00

Termostatico incasso 1 uscita
 1 way concealed thermostatic
 Thermostatique à encastrer avec 1 sortie
 UP-Thermostat mit 1 Weg

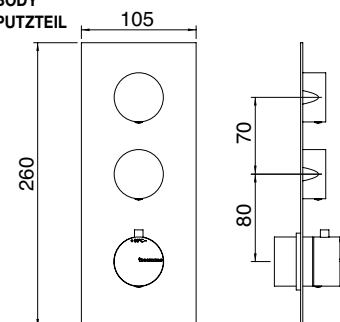
RWIT 7287 ZZ 30 458,00
 + PARTI INCASSO - CONCEALED BODY
 CORPS À ENCASTRER - UNTERPUTZTEIL



CC	RWIT 7286 CC 35	315,00
NN	RWIT 7286 NN 35	448,00
BB	RWIT 7286 BB 35	448,00
NL	RWIT 7286 NL 35	440,00
NF	RWIT 7286 NF 35	440,00
HH	RWIT 7286 HH 35	541,00
CZ	RWIT 7286 CZ 35	541,00
DZ	RWIT 7286 DZ 35	696,00
SZ	RWIT 7286 SZ 35	696,00

Termostatico incasso 2 uscite
 2 ways concealed thermostatic
 Thermostatique à encastrer avec 2 sorties
 UP-Thermostat mit 2 Wege

RWIT 7286 ZZ 30 680,00
 + PARTI INCASSO - CONCEALED BODY
 CORPS À ENCASTRER - UNTERPUTZTEIL











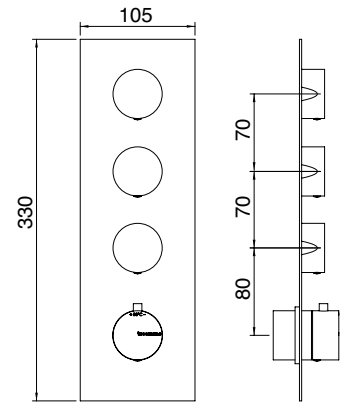


CC	RWIT 7294 CC 35	428,00
NN	RWIT 7294 NN 35	608,00
BB	RWIT 7294 BB 35	608,00
NL	RWIT 7294 NL 35	599,00
NF	RWIT 7294 NF 35	599,00
HH	RWIT 7294 HH 35	736,00
CZ	RWIT 7294 CZ 35	736,00
DZ	RWIT 7294 DZ 35	946,00
SZ	RWIT 7294 SZ 35	946,00

RWIT 7294 ZZ 30 855,00
 +  PARTI INCASSO - CONCEALED BODY
 CORPS À ENCASTRER - UNTERPUTZTEIL

Termostatico incasso 3 uscite
 3 ways concealed thermostatic
 Thermostatique à encastrer avec 3 sorties
 UP-Thermostat mit 3 Wege











				
ITRTVT175ZZ	ITRTVT176ZZ	RWIT2287_80	RWIT2287Z81 x3	34 l/min
				
2 IN - 3 OUT	N° i15	N° 13	P_805	

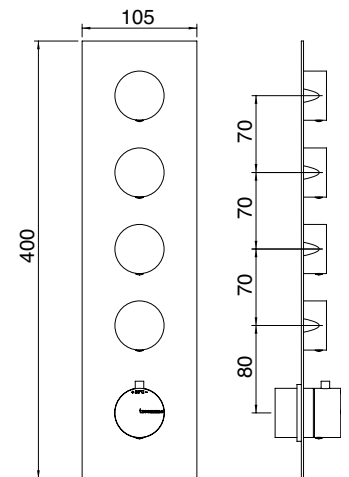


CC	RWIT 7297 CC 35	526,00
NN	RWIT 7297 NN 35	747,00
BB	RWIT 7297 BB 35	747,00
NL	RWIT 7297 NL 35	736,00
NF	RWIT 7297 NF 35	736,00
HH	RWIT 7297 HH 35	905,00
CZ	RWIT 7297 CZ 35	905,00
DZ	RWIT 7297 DZ 35	1.162,00
SZ	RWIT 7297 SZ 35	1.162,00

RWIT 7297 ZZ 30 1.030,00
 +  PARTI INCASSO - CONCEALED BODY
 CORPS À ENCASTRER - UNTERPUTZTEIL

Termostatico incasso 4 uscite
 4 ways concealed thermostatic
 Thermostatique à encastrer avec 4 sorties
 UP-Thermostat mit 4 Wege











				
ITRTVT179ZZ	ITRTVT176ZZ	RWIT2287_80	RWIT2287Z81 x4	47 l/min
				
2 IN - 4 OUT	N° i15	N° 13	P_805	

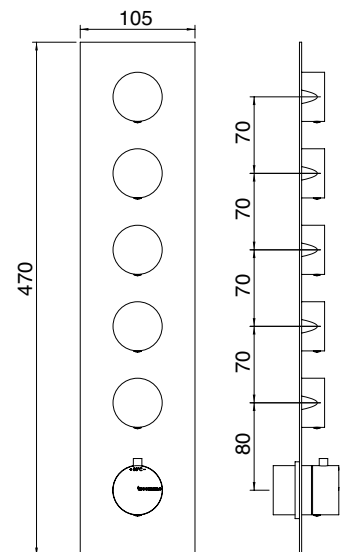


CC	RWIT 7298 CC 35	624,00
NN	RWIT 7298 NN 35	886,00
BB	RWIT 7298 BB 35	886,00
NL	RWIT 7298 NL 35	873,00
NF	RWIT 7298 NF 35	873,00
HH	RWIT 7298 HH 35	1.073,00
CZ	RWIT 7298 CZ 35	1.073,00
DZ	RWIT 7298 DZ 35	1.379,00
SZ	RWIT 7298 SZ 35	1.379,00

RWIT 7298 ZZ 30 1.205,00
 +  PARTI INCASSO - CONCEALED BODY
 CORPS À ENCASTRER - UNTERPUTZTEIL

Termostatico incasso 5 uscite
 5 ways concealed thermostatic
 Thermostatique à encastrer avec 5 sorties
 UP-Thermostat mit 5 Wege

				
ITRTVT179ZZ	ITRTVT176ZZ	RWIT2287_80	RWIT2287Z81 x5	48 l/min
				
2 IN - 5 OUT	N° i15	N° 13	P_806	



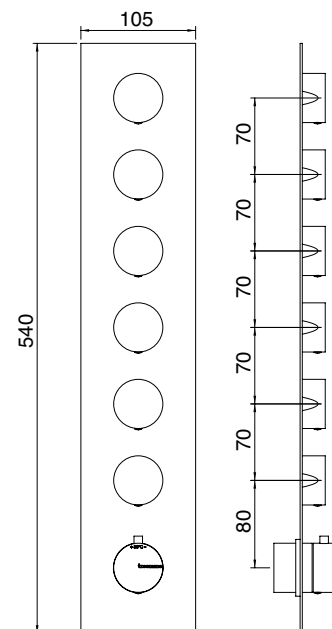
X-Change XR



CC	RWIT 7264 CC 35	721,00
NN	RWIT 7264 NN 35	1.024,00
BB	RWIT 7264 BB 35	1.024,00
NL	RWIT 7264 NL 35	1.010,00
NF	RWIT 7264 NF 35	1.010,00
HH	RWIT 7264 HH 35	1.241,00
CZ	RWIT 7264 CZ 35	1.241,00
DZ	RWIT 7264 DZ 35	1.594,00
SZ	RWIT 7264 SZ 35	1.594,00

RWIT 7264 ZZ 30 1.380,00
 + PARTI INCASSO - CONCEALED BODY
 CORPS À ENCASTRER - UNTERPUTZTEIL

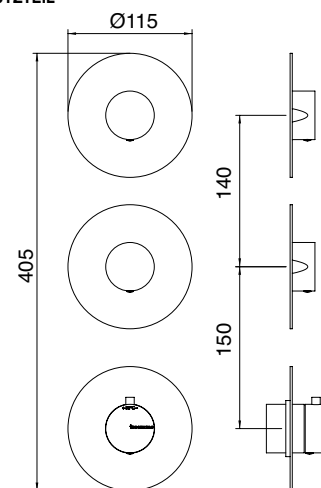
Termostatico incasso 6 uscite
 6 ways concealed thermostatic
 Thermostatique à encastrer avec 6 sorties
 UP-Thermostat mit 6 Wege



CC	RWIT 7274 CC 60	356,00
NN	RWIT 7274 NN 60	505,00
BB	RWIT 7274 BB 60	505,00
NL	RWIT 7274 NL 60	498,00
NF	RWIT 7274 NF 60	498,00
HH	RWIT 7274 HH 60	612,00
CZ	RWIT 7274 CZ 60	612,00
DZ	RWIT 7274 DZ 60	786,00
SZ	RWIT 7274 SZ 60	786,00

RWIT 7274 ZZ 40 762,00
 + PARTI INCASSO - CONCEALED BODY
 CORPS À ENCASTRER - UNTERPUTZTEIL

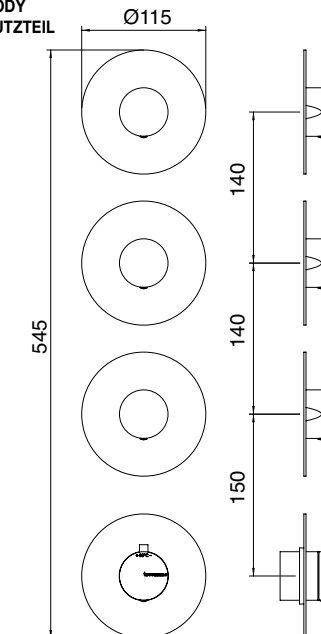
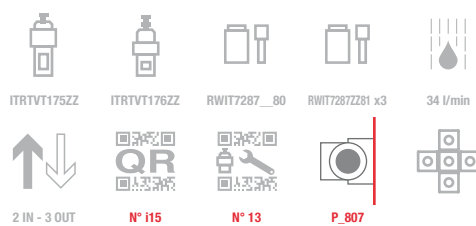
Termostatico incasso 2 uscite
 2 ways concealed thermostatic
 Thermostatique à encastrer avec 2 sorties
 UP-Thermostat mit 2 Wege



CC	RWIT 7275 CC 60	536,00
NN	RWIT 7275 NN 60	762,00
BB	RWIT 7275 BB 60	762,00
NL	RWIT 7275 NL 60	750,00
NF	RWIT 7275 NF 60	750,00
HH	RWIT 7275 HH 60	922,00
CZ	RWIT 7275 CZ 60	922,00
DZ	RWIT 7275 DZ 60	1.185,00
SZ	RWIT 7275 SZ 60	1.185,00

RWIT 7275 ZZ 40 937,00
 + PARTI INCASSO - CONCEALED BODY
 CORPS À ENCASTRER - UNTERPUTZTEIL

Termostatico incasso 3 uscite
 3 ways concealed thermostatic
 Thermostatique à encastrer avec 3 sorties
 UP-Thermostat mit 3 Wege



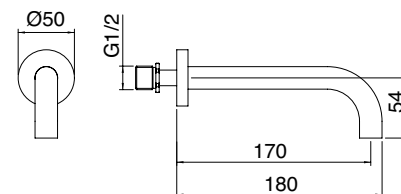


X-Change XR



CC	IT 7563 CC ZZ HF	77,00
NN	IT 7563 NN ZZ HF	100,00
BB	IT 7563 BB ZZ HF	100,00
NL	IT 7563 NL ZZ HF	98,00
NF	IT 7563 NF ZZ HF	98,00
HH	IT 7563 HH ZZ HF	117,00
CZ	IT 7563 CZ ZZ HF	117,00
DZ	IT 7563 DZ ZZ HF	157,00
SZ	IT 7563 SZ ZZ HF	157,00

Bocca a muro per vasca 170
Wall-mtd. spout for bathtub 170
Bec mural pour baignoire 170
Wandauslauf für Badewannen 170



ITRTAE139ZZ



ITRTAT105ZZ

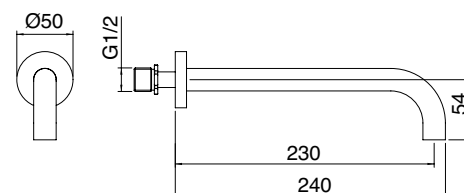


34 l/min



CC	IT 7561 CC ZZ HF	83,00
NN	IT 7561 NN ZZ HF	110,00
BB	IT 7561 BB ZZ HF	110,00
NL	IT 7561 NL ZZ HF	107,00
NF	IT 7561 NF ZZ HF	107,00
HH	IT 7561 HH ZZ HF	127,00
CZ	IT 7561 CZ ZZ HF	127,00
DZ	IT 7561 DZ ZZ HF	170,00
SZ	IT 7561 SZ ZZ HF	170,00

Bocca a muro per vasca 230
Wall-mtd. spout for bathtub 230
Bec mural pour baignoire 230
Wandauslauf für Badewannen 230



ITRTAE139ZZ



ITRTAT105ZZ

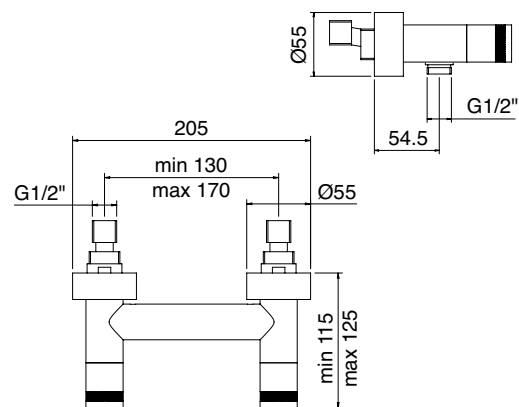


34 l/min



CC	IT 7256 CC XR ZZ	286,00
NN	IT 7256 NN XR ZZ	380,00
BB	IT 7256 BB XR ZZ	380,00
NL	IT 7256 NL XR ZZ	371,00
NF	IT 7256 NF XR ZZ	371,00
HH	IT 7256 HH XR ZZ	439,00
CZ	IT 7256 CZ XR ZZ	439,00
DZ	IT 7256 DZ XR ZZ	592,00
SZ	IT 7256 SZ XR ZZ	592,00

Gruppo esterno doccia senza set doccia
Wall-mtd. shower mixer without shower set
Mitigeur douche mural sans set de douche
AP-Brause-Einhandbatterie ohne Duschset



ITRTVT101CC



1/2 M



14 l/min

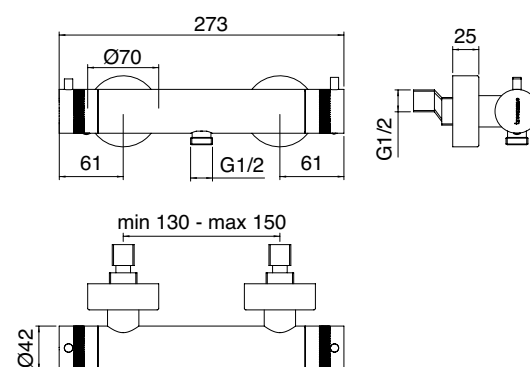


N° 67



CC	IT 5845 CC VZ ZZ	488,00
NN	IT 5845 NN VZ ZZ	634,00
BB	IT 5845 BB VZ ZZ	634,00
NL	IT 5845 NL VZ ZZ	651,00
NF	IT 5845 NF VZ ZZ	651,00
HH	IT 5845 HH VZ ZZ	751,00
CZ	IT 5845 CZ VZ ZZ	751,00
DZ	IT 5845 DZ VZ ZZ	1.014,00
SZ	IT 5845 SZ VZ ZZ	1.014,00

Termostatico esterno doccia
Wall-mtd. thermostatic mixer
Thermostatique mural
AP-Thermostat



ITRTVT148ZZ



ITRTVT105CC



1/2 M



14 l/min

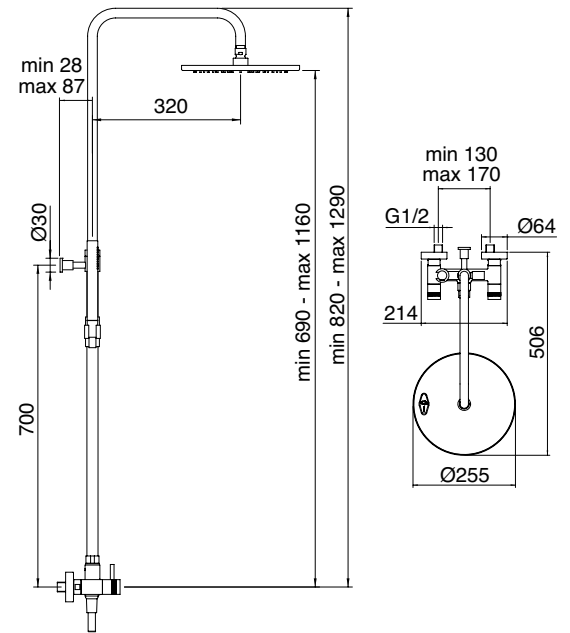


N° 67



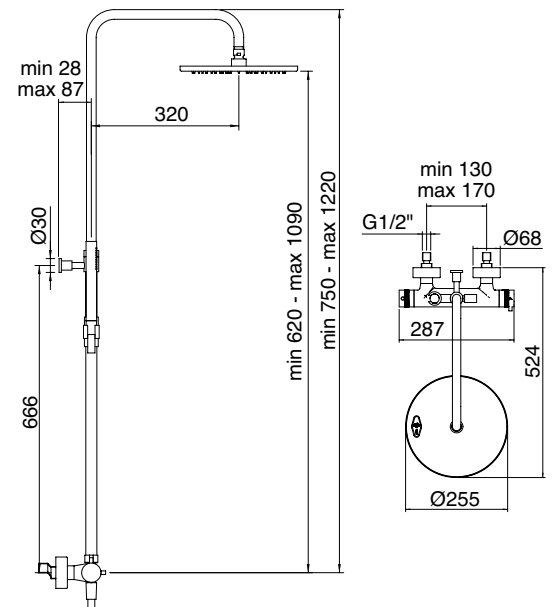
CC	IT 7279 CC XR ZZ	810,00
NN	IT 7279 NN XR ZZ	1.077,00
BB	IT 7279 BB XR ZZ	1.077,00
NL	IT 7279 NL XR ZZ	1.052,00
NF	IT 7279 NF XR ZZ	1.052,00
HH	IT 7279 HH XR ZZ	1.247,00
CZ	IT 7279 CZ XR ZZ	1.247,00
DZ	IT 7279 DZ XR ZZ	1.684,00
SZ	IT 7279 SZ XR ZZ	1.684,00

Gruppo doccia con doccetta e soffione anticalcare
 Wall-mtd. shower set, anti-limescale
 hand-shower and shower head
 Mitigeur douche mural, douchette et tête
 de douche anticalcaire
 Regenbrause-Set, Antikalk Handbrause
 und Kopfbrause



CC	IT 5854 CC VZ ZZ	884,00
NN	IT 5854 NN VZ ZZ	1.177,00
BB	IT 5854 BB VZ ZZ	1.177,00
NL	IT 5854 NL VZ ZZ	1.150,00
NF	IT 5854 NF VZ ZZ	1.150,00
HH	IT 5854 HH VZ ZZ	1.362,00
CZ	IT 5854 CZ VZ ZZ	1.362,00
DZ	IT 5854 DZ VZ ZZ	1.838,00
SZ	IT 5854 SZ VZ ZZ	1.838,00

Gruppo doccia termostatico con doccetta
 e soffione anticalcare
 Wall-mtd. thermostatic shower set with
 anti-limescale hand-shower and shower head
 Mitigeur thermostatique mural, douchette et tête
 de douche anticalcaire
 Regenbrause-Set mit Thermostat-Armatur,
 Antikalk Handbrause und Kopfbrause



X-Change XR




CC	RWIT 7262 CC 02	54,00
NN	RWIT 7262 NN 02	77,00
BB	RWIT 7262 BB 02	77,00
NL	RWIT 7262 NL 02	76,00
NF	RWIT 7262 NF 02	76,00
HH	RWIT 7262 HH 02	91,00
CZ	RWIT 7262 CZ 02	91,00
DZ	RWIT 7262 DZ 02	118,00
SZ	RWIT 7262 SZ 02	118,00

Rubinetto d'arresto 1/2"
1/2" concealed stop valve
Robinet d'arrêt 1/2"
UP-Ventil 1/2"



ITRTVT101CC RWIT7240ZZ04 P_798

RWIT 1040 ZZ 01 87,00

+  PARTI INCASSO - CONCEALED BODY
CORPS À ENCASTRER - UNTERPUTZTEIL




CC	RWIT 72D5 CC 01	102,00
NN	RWIT 72D5 NN 01	146,00
BB	RWIT 72D5 BB 01	146,00
NL	RWIT 72D5 NL 01	144,00
NF	RWIT 72D5 NF 01	144,00
HH	RWIT 72D5 HH 01	177,00
CZ	RWIT 72D5 CZ 01	177,00
DZ	RWIT 72D5 DZ 01	226,00
SZ	RWIT 72D5 SZ 01	226,00

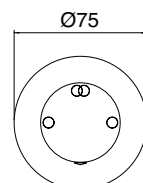
Deviatore incasso 2 uscite
2 ways concealed diverter
Inverseur à encastrer à 2 sorties
2 Wege UP- Umsteller



ITRTVT189ZZ RWIT7546ZZ82 24 l/min N° 15

RWIT 7AD5 ZZ 01 200,00

+  PARTI INCASSO - CONCEALED BODY
CORPS À ENCASTRER - UNTERPUTZTEIL




CC	RWIT 72D6 CC 01	114,00
NN	RWIT 72D6 NN 01	162,00
BB	RWIT 72D6 BB 01	162,00
NL	RWIT 72D6 NL 01	159,00
NF	RWIT 72D6 NF 01	159,00
HH	RWIT 72D6 HH 01	196,00
CZ	RWIT 72D6 CZ 01	196,00
DZ	RWIT 72D6 DZ 01	252,00
SZ	RWIT 72D6 SZ 01	252,00

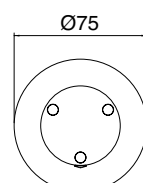
Deviatore incasso 3 uscite
3 ways concealed diverter
Inverseur à encastrer à 3 sorties
3 Wege UP- Umsteller



ITRTVT190ZZ RWIT7546ZZ82 24 l/min N° 15

RWIT 7AD5 ZZ 01 200,00

+  PARTI INCASSO - CONCEALED BODY
CORPS À ENCASTRER - UNTERPUTZTEIL

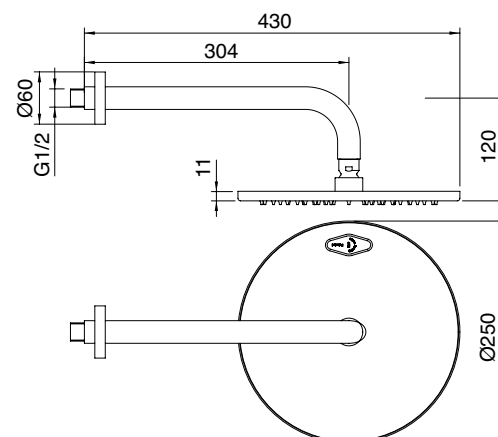


CC	IT 6586 CC ZZ VS	311,00
NN	IT 6586 NN ZZ VS	414,00
BB	IT 6586 BB ZZ VS	414,00
NL	IT 6586 NL ZZ VS	404,00
NF	IT 6586 NF ZZ VS	404,00
HH	IT 6586 HH ZZ VS	478,00
CZ	IT 6586 CZ ZZ VS	478,00
DZ	IT 6586 DZ ZZ VS	646,00
SZ	IT 6586 SZ ZZ VS	646,00

Soffione a parete anticalcare
Anti-limescale shower-head
Douche de tête anticalcaire avec bras mural
Antikalk Kopfbrause mit Arm



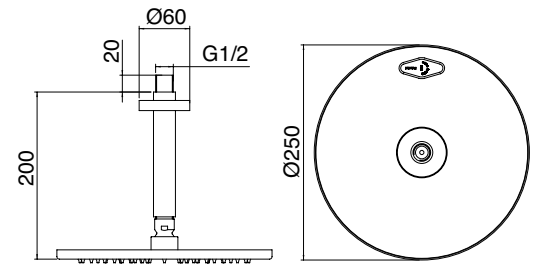
METAL 250 mm 9 l/min





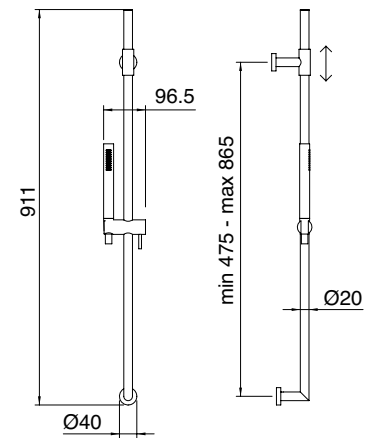
CC	IT 6587 CC ZZ VS	292,00
NN	IT 6587 NN ZZ VS	388,00
BB	IT 6587 BB ZZ VS	388,00
NL	IT 6587 NL ZZ VS	380,00
NF	IT 6587 NF ZZ VS	380,00
HH	IT 6587 HH ZZ VS	449,00
CZ	IT 6587 CZ ZZ VS	449,00
DZ	IT 6587 DZ ZZ VS	606,00
SZ	IT 6587 SZ ZZ VS	606,00

Soffione a soffitto anticalcare
Ceiling anti-limescale shower-head
Douche de tête anticalcaire avec bras au plafond
Antikalk Regenbrause mit Deckenanbindung



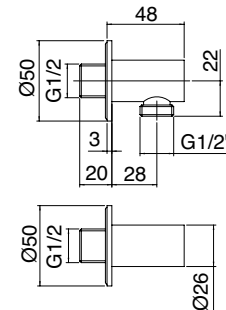
CC	IT 6529 CC ZZ ZZ	223,00
NN	IT 6529 NN ZZ ZZ	319,00
BB	IT 6529 BB ZZ ZZ	319,00
NL	IT 6529 NL ZZ ZZ	315,00
NF	IT 6529 NF ZZ ZZ	315,00
HH	IT 6529 HH ZZ ZZ	343,00
CZ	IT 6529 CZ ZZ ZZ	343,00
DZ	IT 6529 DZ ZZ ZZ	463,00
SZ	IT 6529 SZ ZZ ZZ	463,00

Kit saliscendi senza presa acqua
Sliding-bar kit without wall hose outlet
Barre coulissante sans coude mural
Gleitstange ohne Wandaschlussbogen



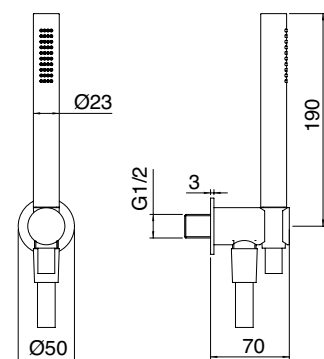
CC	IT RTGA 123 CC	25,00
NN	IT RTGA 123 NN	39,00
BB	IT RTGA 123 BB	39,00
NL	IT RTGA 123 NL	49,00
NF	IT RTGA 123 NF	49,00
HH	IT RTGA 123 HH	27,00
CZ	IT RTGA 123 CZ	27,00
DZ	IT RTGA 123 DZ	38,00
SZ	IT RTGA 123 SZ	38,00

Presa acqua a muro
Wall hose outlet
Coude mural
Wandaschlussbogen



CC	RWIT 2705 CC 74	123,00
NN	RWIT 2705 NN 74	189,00
BB	RWIT 2705 BB 74	189,00
NL	RWIT 2705 NL 74	184,00
NF	RWIT 2705 NF 74	184,00
HH	RWIT 2705 HH 74	189,00
CZ	RWIT 2705 CZ 74	189,00
DZ	RWIT 2705 DZ 74	255,00
SZ	RWIT 2705 SZ 74	255,00

Kit gancio, flessibile, doccia
Hook, flexible and hand shower kit
Kit support, flexible et douche
Brausehalter, Schlauch und Handbrause

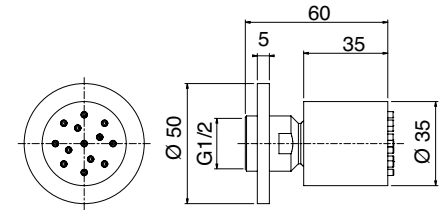


X-Change XR



CC	IT RTBR 205 CC	64,00
NN	IT RTBR 205 NN	86,00
BB	IT RTBR 205 BB	86,00
NL	IT RTBR 205 NL	112,00
NF	IT RTBR 205 NF	112,00
HH	IT RTBR 205 HH	99,00
CZ	IT RTBR 205 CZ	99,00
DZ	IT RTBR 205 DZ	133,00
SZ	IT RTBR 205 SZ	133,00

Soffione laterale
Nozzle
Buse
Düse



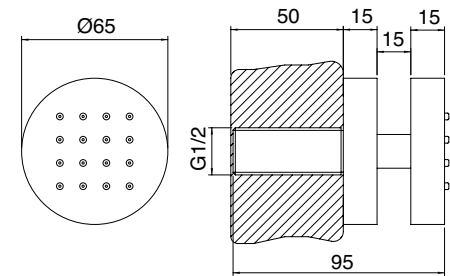
1/2 M

4 l/min



CC	IT RTBR 277 CC	112,00
NN	IT RTBR 277 NN	149,00
BB	IT RTBR 277 BB	149,00
NL	IT RTBR 277 NL	157,00
NF	IT RTBR 277 NF	157,00
HH	IT RTBR 277 HH	171,00
CZ	IT RTBR 277 CZ	171,00
DZ	IT RTBR 277 DZ	231,00
SZ	IT RTBR 277 SZ	231,00

Soffione laterale
Nozzle
Buse
Düse



1/2 M

4 l/min

Per ulteriori composizioni doccia vedi sezione SHOWERS & THERMOSTATICS

For other shower fittings check the SHOWERS & THERMOSTATICS section

Pour d'autres solutions douche voir section SHOWERS & THERMOSTATICS

Für weitere duschaustattungen siehe abschnitt SHOWERS & THERMOSTATICS

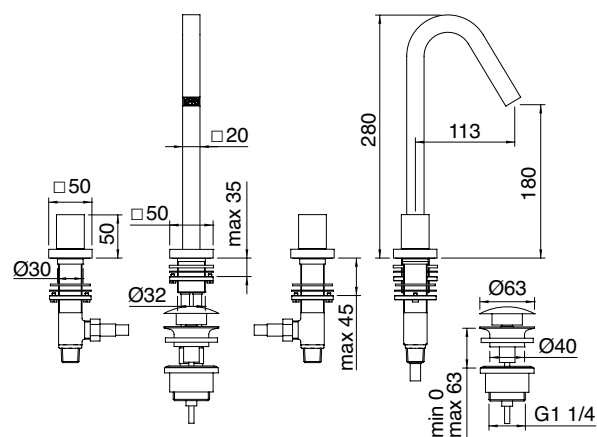


X-Change xQ



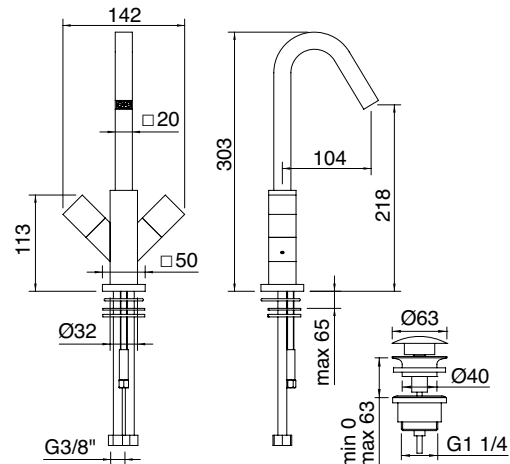
CC	IT 7316 CC XQ ZZ	473,00
NN	IT 7316 NN XQ ZZ	628,00
BB	IT 7316 BB XQ ZZ	628,00
NL	IT 7316 NL XQ ZZ	614,00
NF	IT 7316 NF XQ ZZ	614,00
HH	IT 7316 HH XQ ZZ	727,00
CZ	IT 7316 CZ XQ ZZ	727,00
DZ	IT 7316 DZ XQ ZZ	981,00
SZ	IT 7316 SZ XQ ZZ	981,00

Batteria lavabo 3 fori
3 hole washbasin mixer
Mélangeur lavabo 3 trous
Waschtisch Dreilochbatterie



CC	IT 7315 CC XQ ZZ	457,00
NN	IT 7315 NN XQ ZZ	608,00
BB	IT 7315 BB XQ ZZ	608,00
NL	IT 7315 NL XQ ZZ	594,00
NF	IT 7315 NF XQ ZZ	594,00
HH	IT 7315 HH XQ ZZ	703,00
CZ	IT 7315 CZ XQ ZZ	703,00
DZ	IT 7315 DZ XQ ZZ	949,00
SZ	IT 7315 SZ XQ ZZ	949,00

Miscelatore lavabo 2 maniglie
2-handle basin mixer
Mélangeur lavabo monotrou
2-Griff Waschtischarmatur

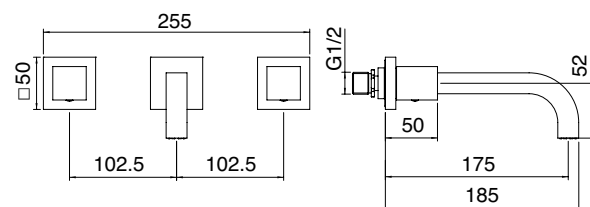


CC	RWIT 7352 CC 10	290,00
NN	RWIT 7352 NN 10	411,00
BB	RWIT 7352 BB 10	411,00
NL	RWIT 7352 NL 10	405,00
NF	RWIT 7352 NF 10	405,00
HH	RWIT 7352 HH 10	498,00
CZ	RWIT 7352 CZ 10	498,00
DZ	RWIT 7352 DZ 10	640,00
SZ	RWIT 7352 SZ 10	640,00

Gruppo lavabo a muro 175
Concealed 3 hole washbasin 175
Mélangeur lavabo à encastrer 175
UP-Waschtisch batterie 175



RWIT 7252 ZZ 01 155,00
+ PARTI INCASSO - CONCEALED BODY
CORPS À ENCASTRER - UNTERPUTZTEIL

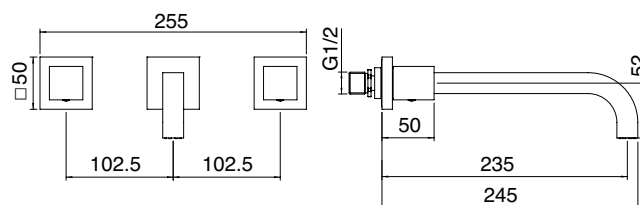


CC	RWIT 7360 CC 10	298,00
NN	RWIT 7360 NN 10	422,00
BB	RWIT 7360 BB 10	422,00
NL	RWIT 7360 NL 10	417,00
NF	RWIT 7360 NF 10	417,00
HH	RWIT 7360 HH 10	511,00
CZ	RWIT 7360 CZ 10	511,00
DZ	RWIT 7360 DZ 10	657,00
SZ	RWIT 7360 SZ 10	657,00

Gruppo lavabo a muro 235
Concealed 3 hole washbasin 235
Mélangeur lavabo à encastrer 235
UP-Waschtisch batterie 235



RWIT 7252 ZZ 01 155,00
+ PARTI INCASSO - CONCEALED BODY
CORPS À ENCASTRER - UNTERPUTZTEIL

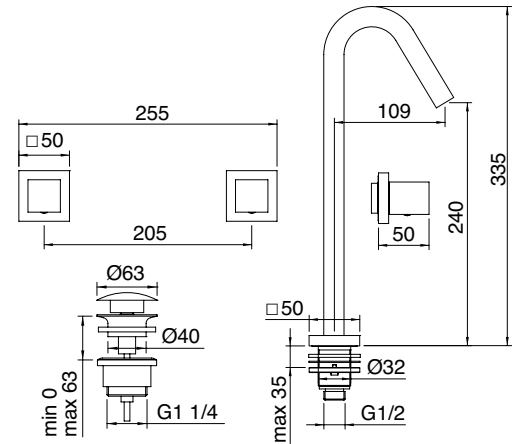




CC	RWIT 7385 CC 10	394,00
NN	RWIT 7385 NN 10	558,00
BB	RWIT 7385 BB 10	558,00
NL	RWIT 7385 NL 10	551,00
NF	RWIT 7385 NF 10	551,00
HH	RWIT 7385 HH 10	676,00
CZ	RWIT 7385 CZ 10	676,00
DZ	RWIT 7385 DZ 10	868,00
SZ	RWIT 7385 SZ 10	868,00


Batteria lavabo 3 fori
3 hole washbasin mixer
Mélangeur lavabo 3 trous
Waschtisch Dreilochbatterie

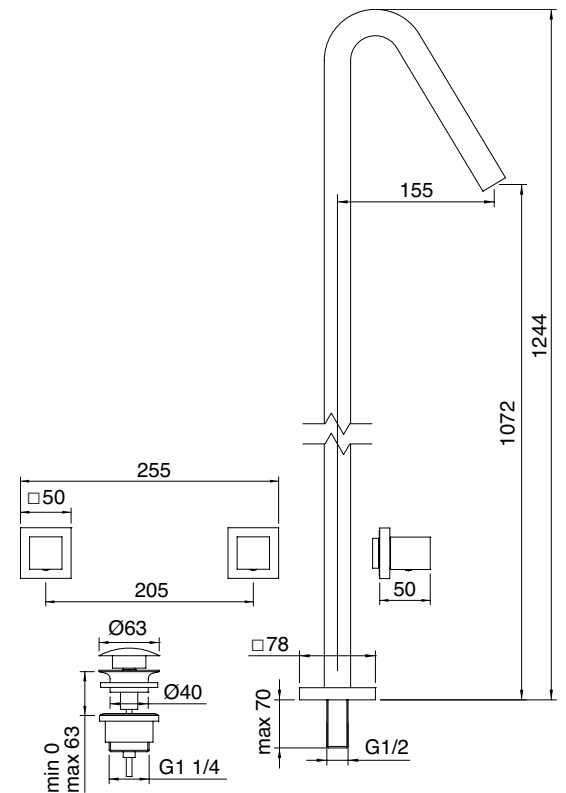
RWIT 7252 ZZ 01 155,00
+  PARTI INCASSO - CONCEALED BODY
CORPS À ENCASTRER - UNTERPUTZTEIL



CC	RWIT 7382 CC 10	510,00
NN	RWIT 7382 NN 10	725,00
BB	RWIT 7382 BB 10	725,00
NL	RWIT 7382 NL 10	714,00
NF	RWIT 7382 NF 10	714,00
HH	RWIT 7382 HH 10	877,00
CZ	RWIT 7382 CZ 10	877,00
DZ	RWIT 7382 DZ 10	1.126,00
SZ	RWIT 7382 SZ 10	1.126,00

Batteria lavabo 3 fori
3 hole washbasin mixer
Mélangeur lavabo 3 trous
Waschtisch Dreilochbatterie

RWIT 7252 ZZ 01 155,00
+  PARTI INCASSO - CONCEALED BODY
CORPS À ENCASTRER - UNTERPUTZTEIL

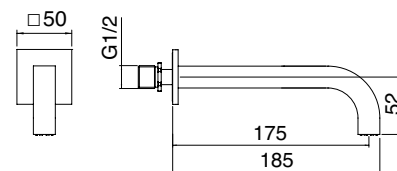


X-Change xQ



CC	IT 7363 CC ZZ ZZ	149,00
NN	IT 7363 NN ZZ ZZ	197,00
BB	IT 7363 BB ZZ ZZ	197,00
NL	IT 7363 NL ZZ ZZ	193,00
NF	IT 7363 NF ZZ ZZ	193,00
HH	IT 7363 HH ZZ ZZ	228,00
CZ	IT 7363 CZ ZZ ZZ	228,00
DZ	IT 7363 DZ ZZ ZZ	307,00
SZ	IT 7363 SZ ZZ ZZ	307,00

Bocca a muro 175
Wall-mtd. spout 175
Bec mural 175
Wandauslauf 175

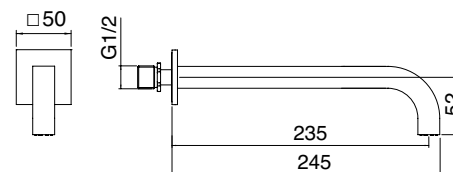


ITRTAE137ZZ ITRTAT105ZZ 5 l/min



CC	IT 7361 CC ZZ ZZ	157,00
NN	IT 7361 NN ZZ ZZ	209,00
BB	IT 7361 BB ZZ ZZ	209,00
NL	IT 7361 NL ZZ ZZ	204,00
NF	IT 7361 NF ZZ ZZ	204,00
HH	IT 7361 HH ZZ ZZ	242,00
CZ	IT 7361 CZ ZZ ZZ	242,00
DZ	IT 7361 DZ ZZ ZZ	326,00
SZ	IT 7361 SZ ZZ ZZ	326,00

Bocca a muro 235
Wall-mtd. spout 235
Bec mural 235
Wandauslauf 235

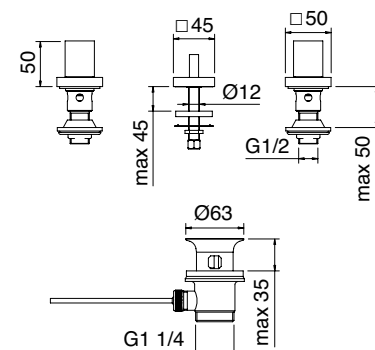


ITRTAE137ZZ ITRTAT105ZZ 5 l/min



CC	IT 7320 CC XQ ZZ	283,00
NN	IT 7320 NN XQ ZZ	376,00
BB	IT 7320 BB XQ ZZ	376,00
NL	IT 7320 NL XQ ZZ	368,00
NF	IT 7320 NF XQ ZZ	368,00
HH	IT 7320 HH XQ ZZ	436,00
CZ	IT 7320 CZ XQ ZZ	436,00
DZ	IT 7320 DZ XQ ZZ	588,00
SZ	IT 7320 SZ XQ ZZ	588,00

Batteria bidet senza canna
3 hole bidet without spout
Mélangeur bidet 3 trous sans bec
Bidet Dreilochbatterie ohne Auslauf

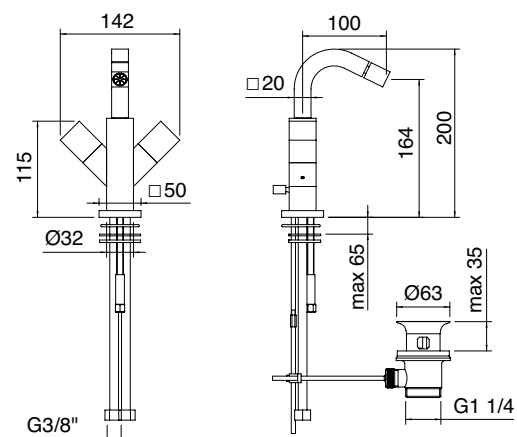


ITRTVT101CC ITRTSA106_ 24 l/min



CC	IT 7324 CC XQ ZZ	451,00
NN	IT 7324 NN XQ ZZ	598,00
BB	IT 7324 BB XQ ZZ	598,00
NL	IT 7324 NL XQ ZZ	586,00
NF	IT 7324 NF XQ ZZ	586,00
HH	IT 7324 HH XQ ZZ	693,00
CZ	IT 7324 CZ XQ ZZ	693,00
DZ	IT 7324 DZ XQ ZZ	936,00
SZ	IT 7324 SZ XQ ZZ	936,00

Miscelatore bidet 2 maniglie
2-handle bidet mixer
Mélangeur bidet monotrou
2-Griff Bidetarmatur



ITRTVT101CC ITRTSA106_ 43° ITRTAE137_ + ITRTAE121_ 6 l/min

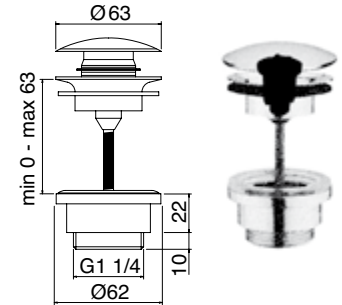






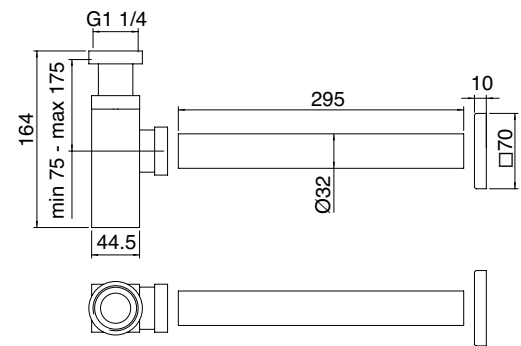
CC	IT RTSA 117 CC	28,00
NN	IT RTSA 117 NN	38,00
BB	IT RTSA 117 BB	38,00
NL	IT RTSA 117 NL	39,00
NF	IT RTSA 117 NF	39,00
HH	IT RTSA 117 HH	45,00
CZ	IT RTSA 117 CZ	45,00
DZ	IT RTSA 117 DZ	59,00
SZ	IT RTSA 117 SZ	59,00

Scarico click-clack universale con inserto per sempre aperto
 Universal up/down pop-up waste with adaptor for continuous water flow
 Bonde click-clack universelle avec option écoulement libre
 Universal-Abflussgarnitur Click-Clack mit Verschlussperre



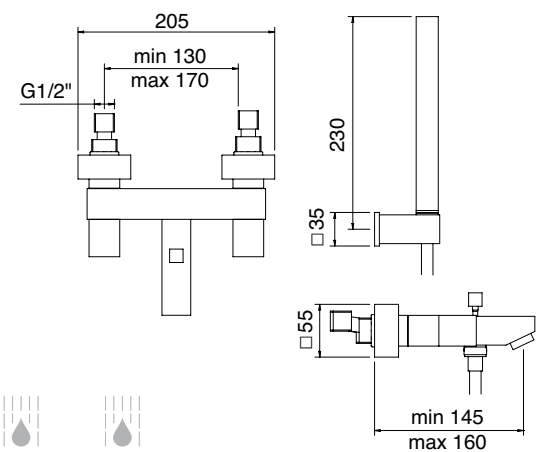
CC	IT 0465 CC ZZ ZZ	134,00
NN	IT 0465 NN ZZ ZZ	180,00
BB	IT 0465 BB ZZ ZZ	180,00
NL	IT 0465 NL ZZ ZZ	175,00
NF	IT 0465 NF ZZ ZZ	175,00
HH	IT 0465 HH ZZ ZZ	208,00
CZ	IT 0465 CZ ZZ ZZ	208,00
DZ	IT 0465 DZ ZZ ZZ	280,00
SZ	IT 0465 SZ ZZ ZZ	280,00

Sifone a vista
 Drain-trap
 Siphon
 Siphon für Waschtisch



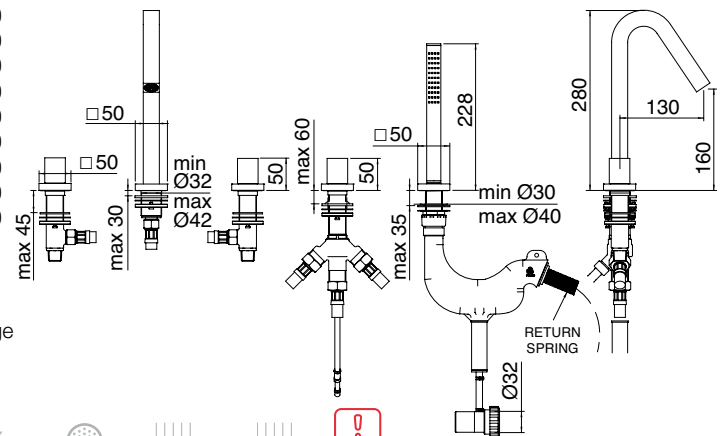
CC	IT 7300 CC XQ ZZ	520,00
NN	IT 7300 NN XQ ZZ	691,00
BB	IT 7300 BB XQ ZZ	691,00
NL	IT 7300 NL XQ ZZ	675,00
NF	IT 7300 NF XQ ZZ	675,00
HH	IT 7300 HH XQ ZZ	799,00
CZ	IT 7300 CZ XQ ZZ	799,00
DZ	IT 7300 DZ XQ ZZ	1.079,00
SZ	IT 7300 SZ XQ ZZ	1.079,00

Gruppo vasca
 Wall-mtd. bathtub
 Mélangeur bain/douche mural
 Wanne/Brause Armatur A.P.



CC	IT 7306 CC XQ ZZ	1.113,00
NN	IT 7306 NN XQ ZZ	1.480,00
BB	IT 7306 BB XQ ZZ	1.480,00
NL	IT 7306 NL XQ ZZ	1.447,00
NF	IT 7306 NF XQ ZZ	1.447,00
HH	IT 7306 HH XQ ZZ	1.713,00
CZ	IT 7306 CZ XQ ZZ	1.713,00
DZ	IT 7306 DZ XQ ZZ	2.314,00
SZ	IT 7306 SZ XQ ZZ	2.314,00

Batteria bordo vasca a 5 fori
 con doccetta estraibile
 5 hole deck-mounted bathtub
 Mélangeur bain/douche 5 trous sur gorge
 Fünfloch - Wannenrandarmatur

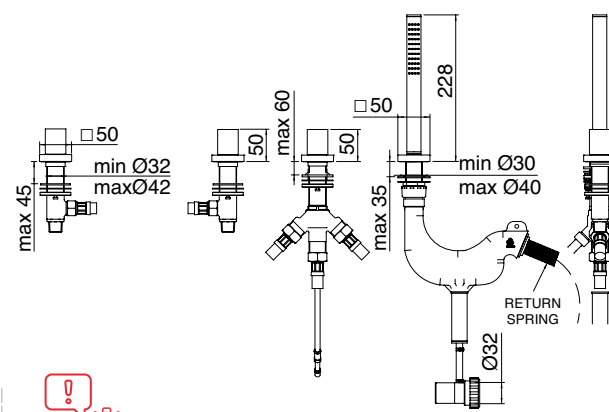
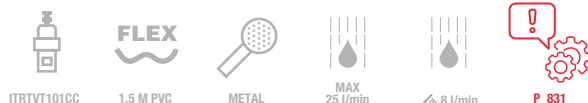


X-Change xQ



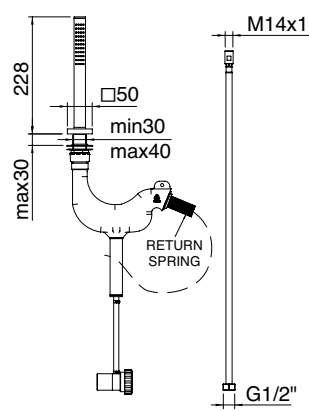
CC	IT 7370 CC XQ ZZ	949,00
NN	IT 7370 NN XQ ZZ	1.262,00
BB	IT 7370 BB XQ ZZ	1.262,00
NL	IT 7370 NL XQ ZZ	1.233,00
NF	IT 7370 NF XQ ZZ	1.233,00
HH	IT 7370 HH XQ ZZ	1.462,00
CZ	IT 7370 CZ XQ ZZ	1.462,00
DZ	IT 7370 DZ XQ ZZ	1.973,00
SZ	IT 7370 SZ XQ ZZ	1.973,00

Batteria bordo vasca con doccetta estraibile senza bocca
 Deck-mounted bathtub without spout
 Mitigeur bain/douche sur gorge sans bec
 Wannenrandarmatur ohne Auslauf



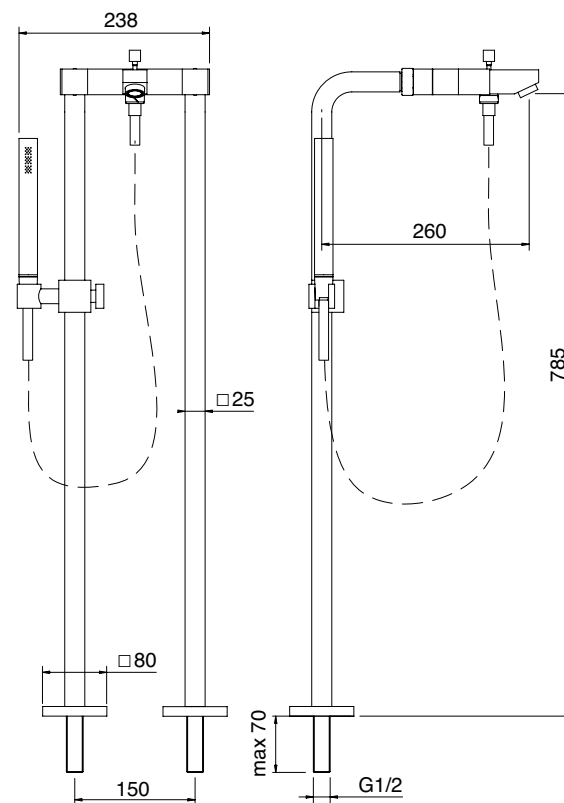
CC	RWIT 5665 CC 25	187,00
NN	RWIT 5665 NN 25	247,00
BB	RWIT 5665 BB 25	247,00
NL	RWIT 5665 NL 25	242,00
NF	RWIT 5665 NF 25	242,00
HH	RWIT 5665 HH 25	287,00
CZ	RWIT 5665 CZ 25	287,00
DZ	RWIT 5665 DZ 25	386,00
SZ	RWIT 5665 SZ 25	386,00

Doccetta estraibile bordo vasca
 Deck-mounted retractable handshower
 Douchette extractible sur gorge
 Versenkbare Schlauchbrause



CC	IT 7384 CC XQ ZZ	798,00
NN	IT 7384 NN XQ ZZ	1.060,00
BB	IT 7384 BB XQ ZZ	1.060,00
NL	IT 7384 NL XQ ZZ	1.037,00
NF	IT 7384 NF XQ ZZ	1.037,00
HH	IT 7384 HH XQ ZZ	1.228,00
CZ	IT 7384 CZ XQ ZZ	1.228,00
DZ	IT 7384 DZ XQ ZZ	1.658,00
SZ	IT 7384 SZ XQ ZZ	1.658,00

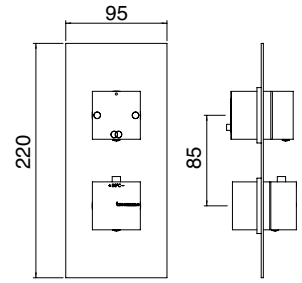
Gruppo vasca esterno su colonne
 Bathtub mixer with standpipes
 Mélangeur bain douche sur tuyaux
 Freistehende Zweigriff - Wannenfüllarmatur





CC	RWIT 8A46 CC 12	265,00
NN	RWIT 8A46 NN 12	376,00
BB	RWIT 8A46 BB 12	376,00
NL	RWIT 8A46 NL 12	371,00
NF	RWIT 8A46 NF 12	371,00
HH	RWIT 8A46 HH 12	457,00
CZ	RWIT 8A46 CZ 12	457,00
DZ	RWIT 8A46 DZ 12	586,00
SZ	RWIT 8A46 SZ 12	586,00

RWIT 8A46 ZZ 20 309,00
 + PARTI INCASSO - CONCEALED BODY
 CORPS À ENCASTRER - UNTERPUTZTEIL

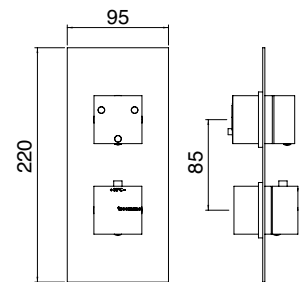


Termostatico incasso con deviatore 2 uscite
 Concealed thermostatic with 2 ways diverter
 Thermostatique à encastrer avec inverseur à 2 sorties
 UP-Thermostat mit 2 Wege Umsteller



CC	RWIT 8A72 CC 12	311,00
NN	RWIT 8A72 NN 12	441,00
BB	RWIT 8A72 BB 12	441,00
NL	RWIT 8A72 NL 12	435,00
NF	RWIT 8A72 NF 12	435,00
HH	RWIT 8A72 HH 12	534,00
CZ	RWIT 8A72 CZ 12	534,00
DZ	RWIT 8A72 DZ 12	686,00
SZ	RWIT 8A72 SZ 12	686,00

RWIT 8A46 ZZ 20 309,00
 + PARTI INCASSO - CONCEALED BODY
 CORPS À ENCASTRER - UNTERPUTZTEIL

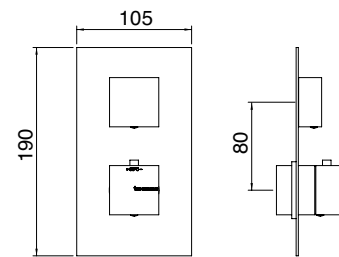


Termostatico incasso con deviatore 3 uscite
 Concealed thermostatic with 3 ways diverter
 Thermostatique à encastrer avec inverseur à 3 sorties
 UP-Thermostat mit 3 Wege Umsteller

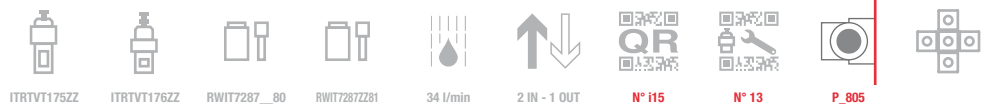


CC	RWIT 7287 CC 32	248,00
NN	RWIT 7287 NN 32	352,00
BB	RWIT 7287 BB 32	352,00
NL	RWIT 7287 NL 32	347,00
NF	RWIT 7287 NF 32	347,00
HH	RWIT 7287 HH 32	426,00
CZ	RWIT 7287 CZ 32	426,00
DZ	RWIT 7287 DZ 32	547,00
SZ	RWIT 7287 SZ 32	547,00

RWIT 7287 ZZ 30 458,00
 + PARTI INCASSO - CONCEALED BODY
 CORPS À ENCASTRER - UNTERPUTZTEIL

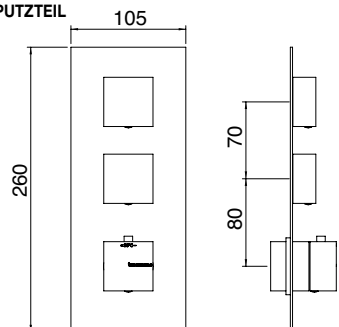


Termostatico incasso 1 uscita
 1 way concealed thermostatic
 Thermostatique à encastrer avec 1 sortie
 UP-Thermostat mit 1 Weg



CC	RWIT 7286 CC 32	371,00
NN	RWIT 7286 NN 32	528,00
BB	RWIT 7286 BB 32	528,00
NL	RWIT 7286 NL 32	520,00
NF	RWIT 7286 NF 32	520,00
HH	RWIT 7286 HH 32	639,00
CZ	RWIT 7286 CZ 32	639,00
DZ	RWIT 7286 DZ 32	820,00
SZ	RWIT 7286 SZ 32	820,00

RWIT 7286 ZZ 30 680,00
 + PARTI INCASSO - CONCEALED BODY
 CORPS À ENCASTRER - UNTERPUTZTEIL



Termostatico incasso 2 uscite
 2 ways concealed thermostatic
 Thermostatique à encastrer avec 2 sorties
 UP-Thermostat mit 2 Wege

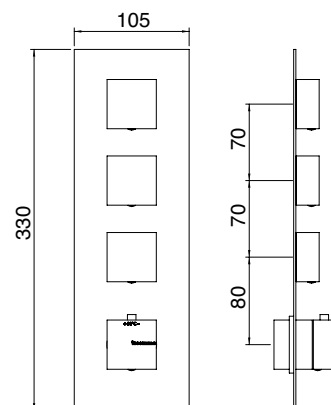
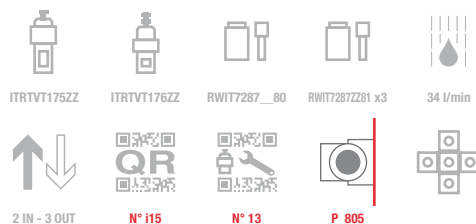


X-Change x_Q

CC	RWIT 7294 CC 32	504,00
NN	RWIT 7294 NN 32	716,00
BB	RWIT 7294 BB 32	716,00
NL	RWIT 7294 NL 32	706,00
NF	RWIT 7294 NF 32	706,00
HH	RWIT 7294 HH 32	868,00
CZ	RWIT 7294 CZ 32	868,00
DZ	RWIT 7294 DZ 32	1.114,00
SZ	RWIT 7294 SZ 32	1.114,00

RWIT 7294 ZZ 30 855,00
 +  PARTI INCASSO - CONCEALED BODY
 CORPS À ENCASTRER - UNTERPUTZTEIL

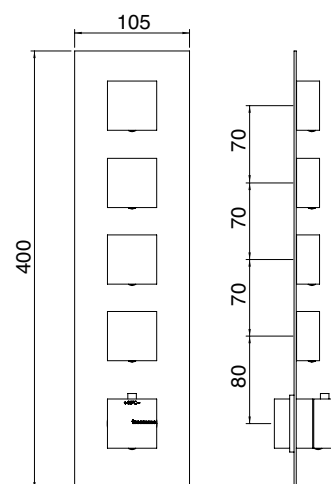
Termostatico incasso 3 uscite
 3 ways concealed thermostatic
 Thermostatique à encastrer avec 3 sorties
 UP-Thermostat mit 3 Wege



CC	RWIT 7297 CC 32	597,00
NN	RWIT 7297 NN 32	848,00
BB	RWIT 7297 BB 32	848,00
NL	RWIT 7297 NL 32	836,00
NF	RWIT 7297 NF 32	836,00
HH	RWIT 7297 HH 32	1.026,00
CZ	RWIT 7297 CZ 32	1.026,00
DZ	RWIT 7297 DZ 32	1.319,00
SZ	RWIT 7297 SZ 32	1.319,00

RWIT 7297 ZZ 30 1.030,00
 +  PARTI INCASSO - CONCEALED BODY
 CORPS À ENCASTRER - UNTERPUTZTEIL

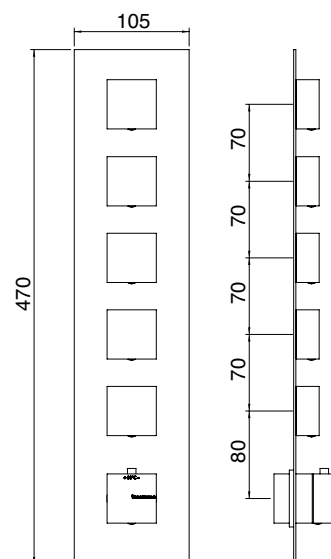
Termostatico incasso 4 uscite
 4 ways concealed thermostatic
 Thermostatique à encastrer avec 4 sorties
 UP-Thermostat mit 4 Wege



CC	RWIT 7298 CC 32	720,00
NN	RWIT 7298 NN 32	1.023,00
BB	RWIT 7298 BB 32	1.023,00
NL	RWIT 7298 NL 32	1.009,00
NF	RWIT 7298 NF 32	1.009,00
HH	RWIT 7298 HH 32	1.240,00
CZ	RWIT 7298 CZ 32	1.240,00
DZ	RWIT 7298 DZ 32	1.592,00
SZ	RWIT 7298 SZ 32	1.592,00

RWIT 7298 ZZ 30 1.205,00
 +  PARTI INCASSO - CONCEALED BODY
 CORPS À ENCASTRER - UNTERPUTZTEIL

Termostatico incasso 5 uscite
 5 ways concealed thermostatic
 Thermostatique à encastrer avec 5 sorties
 UP-Thermostat mit 5 Wege





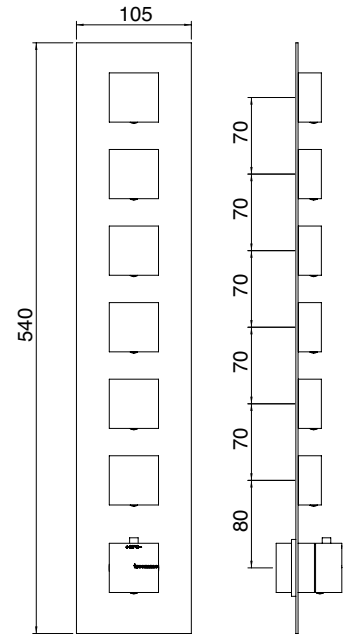




CC	RWIT 7264 CC 32	855,00
NN	RWIT 7264 NN 32	1.215,00
BB	RWIT 7264 BB 32	1.215,00
NL	RWIT 7264 NL 32	1.197,00
NF	RWIT 7264 NF 32	1.197,00
HH	RWIT 7264 HH 32	1.471,00
CZ	RWIT 7264 CZ 32	1.471,00
DZ	RWIT 7264 DZ 32	1.891,00
SZ	RWIT 7264 SZ 32	1.891,00

RWIT 7264 ZZ 30 1.380,00
 +  **PARTI INCASSO - CONCEALED BODY**
CORPS À ENCASTRER - UNTERPUTZTEIL

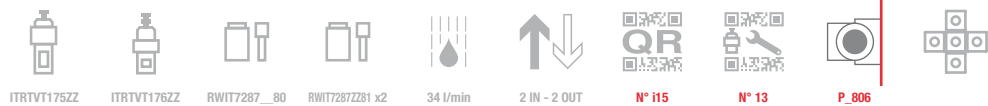
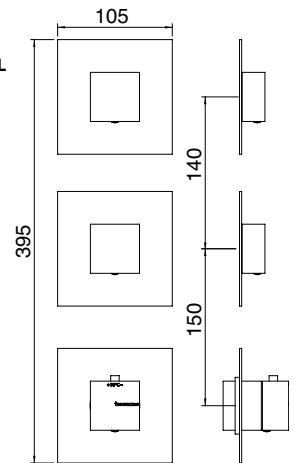
Termostatico incasso 6 uscite
 6 ways concealed thermostatic
 Thermostatique à encastrer avec 6 sorties
 UP-Thermostat mit 6 Wege



CC	RWIT 7274 CC 31	438,00
NN	RWIT 7274 NN 31	623,00
BB	RWIT 7274 BB 31	623,00
NL	RWIT 7274 NL 31	613,00
NF	RWIT 7274 NF 31	613,00
HH	RWIT 7274 HH 31	753,00
CZ	RWIT 7274 CZ 31	753,00
DZ	RWIT 7274 DZ 31	969,00
SZ	RWIT 7274 SZ 31	969,00

RWIT 7274 ZZ 40 762,00
 +  **PARTI INCASSO - CONCEALED BODY**
CORPS À ENCASTRER - UNTERPUTZTEIL

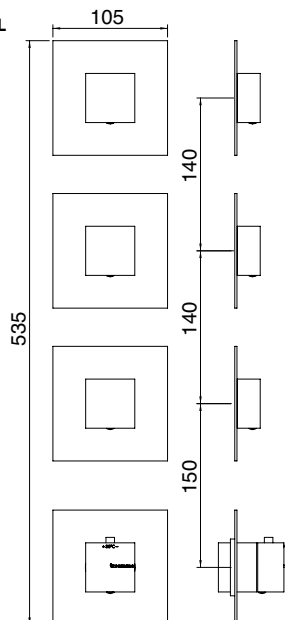
Termostatico incasso 2 uscite
 2 ways concealed thermostatic
 Thermostatique à encastrer avec 2 sorties
 UP-Thermostat mit 2 Wege



CC	RWIT 7275 CC 31	567,00
NN	RWIT 7275 NN 31	805,00
BB	RWIT 7275 BB 31	805,00
NL	RWIT 7275 NL 31	794,00
NF	RWIT 7275 NF 31	794,00
HH	RWIT 7275 HH 31	975,00
CZ	RWIT 7275 CZ 31	975,00
DZ	RWIT 7275 DZ 31	1.253,00
SZ	RWIT 7275 SZ 31	1.253,00

RWIT 7275 ZZ 40 937,00
 +  **PARTI INCASSO - CONCEALED BODY**
CORPS À ENCASTRER - UNTERPUTZTEIL

Termostatico incasso 3 uscite
 3 ways concealed thermostatic
 Thermostatique à encastrer avec 3 sorties
 UP-Thermostat mit 3 Wege

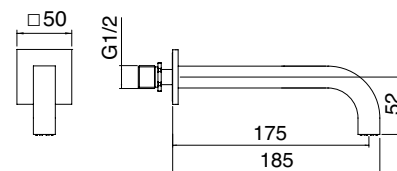


X-Change xQ



CC	IT 7363 CC ZZ HF	149,00
NN	IT 7363 NN ZZ HF	197,00
BB	IT 7363 BB ZZ HF	197,00
NL	IT 7363 NL ZZ HF	193,00
NF	IT 7363 NF ZZ HF	193,00
HH	IT 7363 HH ZZ HF	228,00
CZ	IT 7363 CZ ZZ HF	228,00
DZ	IT 7363 DZ ZZ HF	307,00
SZ	IT 7363 SZ ZZ HF	307,00

Bocca a muro per vasca 175
Wall-mtd. spout for bathtub 175
Bec mural pour baignoire 175
Wandauslauf für Badewannen 175



ITRTAE139ZZ



ITRTAT105ZZ

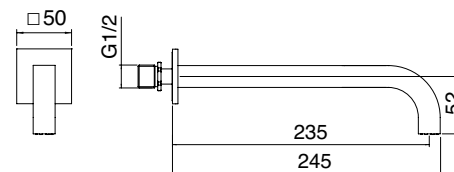


34 l/min



CC	IT 7361 CC ZZ HF	157,00
NN	IT 7361 NN ZZ HF	209,00
BB	IT 7361 BB ZZ HF	209,00
NL	IT 7361 NL ZZ HF	204,00
NF	IT 7361 NF ZZ HF	204,00
HH	IT 7361 HH ZZ HF	242,00
CZ	IT 7361 CZ ZZ HF	242,00
DZ	IT 7361 DZ ZZ HF	326,00
SZ	IT 7361 SZ ZZ HF	326,00

Bocca a muro per vasca 235
Wall-mtd. spout for bathtub 235
Bec mural pour baignoire 235
Wandauslauf für Badewannen 235



ITRTAE139ZZ



ITRTAT105ZZ

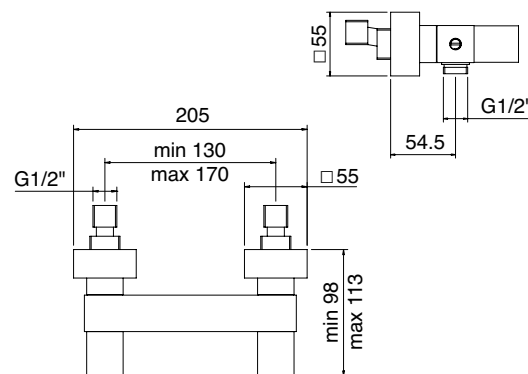


34 l/min



CC	IT 7356 CC XQ ZZ	341,00
NN	IT 7356 NN XQ ZZ	453,00
BB	IT 7356 BB XQ ZZ	453,00
NL	IT 7356 NL XQ ZZ	443,00
NF	IT 7356 NF XQ ZZ	443,00
HH	IT 7356 HH XQ ZZ	525,00
CZ	IT 7356 CZ XQ ZZ	525,00
DZ	IT 7356 DZ XQ ZZ	709,00
SZ	IT 7356 SZ XQ ZZ	709,00

Gruppo esterno doccia senza set doccia
Wall-mtd. shower mixer without shower set
Mitigeur douche mural sans set de douche
AP-Brause-Einhandbatterie ohne Duschset



ITRTVT101CC



1/2 M



14 l/min

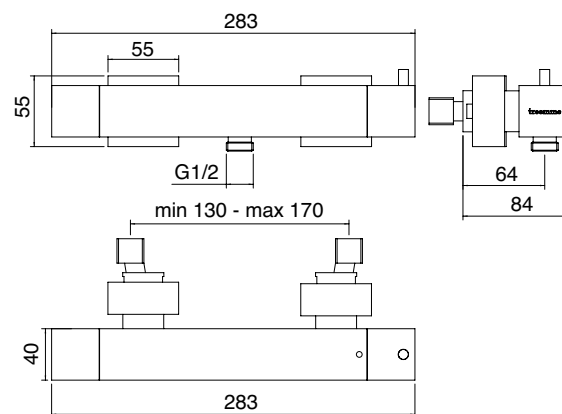


N° 67



CC	IT 7645 CC XM ZZ	521,00
NN	IT 7645 NN XM ZZ	692,00
BB	IT 7645 BB XM ZZ	692,00
NL	IT 7645 NL XM ZZ	677,00
NF	IT 7645 NF XM ZZ	677,00
HH	IT 7645 HH XM ZZ	801,00
CZ	IT 7645 CZ XM ZZ	801,00
DZ	IT 7645 DZ XM ZZ	1.081,00
SZ	IT 7645 SZ XM ZZ	1.081,00

Termostatico esterno doccia
Wall-mtd. thermostatic mixer
Thermostatique mural
AP-Thermostat



ITRTVT148ZZ



ITRTVT259ZZ



1/2 M



14 l/min

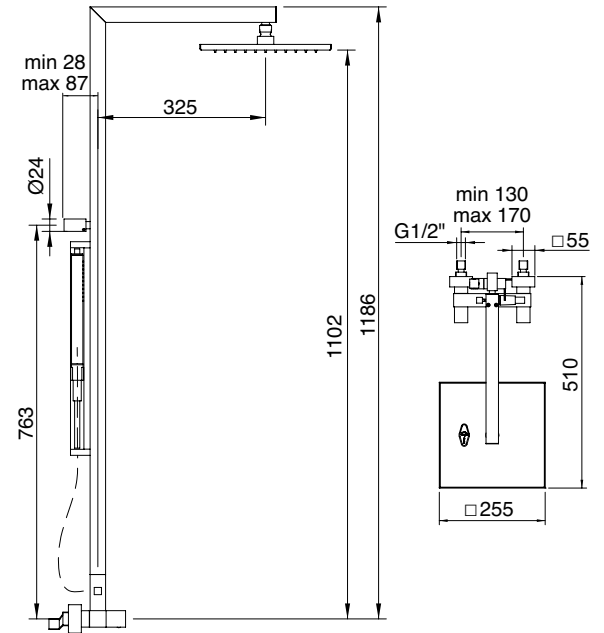


N° 67



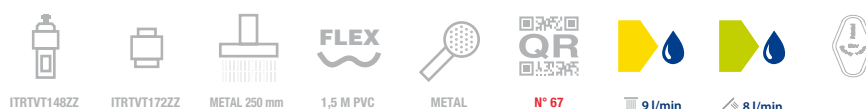
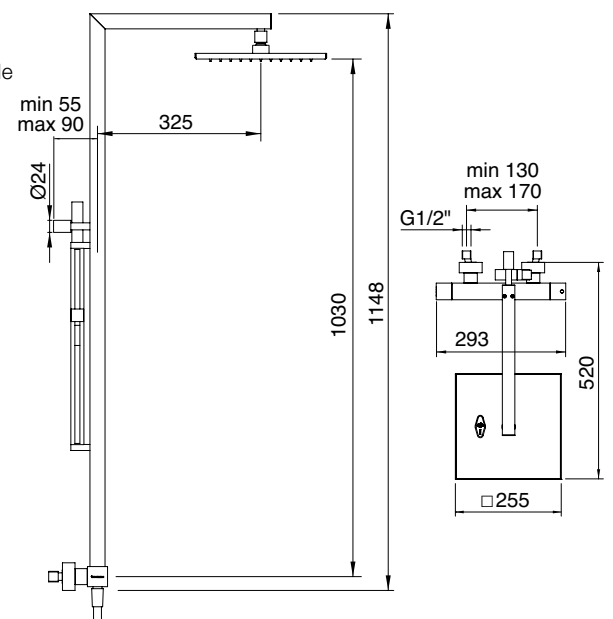
CC	IT 7379 CC XQ ZZ	1.558,00
NN	IT 7379 NN XQ ZZ	2.071,00
BB	IT 7379 BB XQ ZZ	2.071,00
NL	IT 7379 NL XQ ZZ	2.024,00
NF	IT 7379 NF XQ ZZ	2.024,00
HH	IT 7379 HH XQ ZZ	2.397,00
CZ	IT 7379 CZ XQ ZZ	2.397,00
DZ	IT 7379 DZ XQ ZZ	3.239,00
SZ	IT 7379 SZ XQ ZZ	3.239,00

Gruppo doccia con doccetta e soffione anticalcare e saliscendi
 Wall-mtd. shower set, anti-limescale hand-shower, shower head and sliding bar
 Mitigeur douche mural, douchette, tête de douche anticalcaire et barre coulissante
 Regenbrause-Set, Antikalk Handbrause, Kopfbrause und Gleitstange



CC	IT 6525 CC XM ZZ	1.686,00
NN	IT 6525 NN XM ZZ	2.242,00
BB	IT 6525 BB XM ZZ	2.242,00
NL	IT 6525 NL XM ZZ	2.190,00
NF	IT 6525 NF XM ZZ	2.190,00
HH	IT 6525 HH XM ZZ	2.595,00
CZ	IT 6525 CZ XM ZZ	2.595,00
DZ	IT 6525 DZ XM ZZ	3.506,00
SZ	IT 6525 SZ XM ZZ	3.506,00

Gruppo doccia termostatico con doccetta e soffione anticalcare e saliscendi
 Wall-mtd. thermostatic shower set with anti-limescale hand-shower, shower head and sliding bar
 Mitigeur thermostatique mural, douchette, tête de douche anticalcaire et barre coulissante
 Regenbrause-Set mit Thermostat-Armatur, Antikalk Handbrause, Kopfbrause und Gleitstange



X-Change x_Q

CC	RWIT 7362 CC 01	61,00
NN	RWIT 7362 NN 01	87,00
BB	RWIT 7362 BB 01	87,00
NL	RWIT 7362 NL 01	86,00
NF	RWIT 7362 NF 01	86,00
HH	RWIT 7362 HH 01	105,00
CZ	RWIT 7362 CZ 01	105,00
DZ	RWIT 7362 DZ 01	134,00
SZ	RWIT 7362 SZ 01	134,00

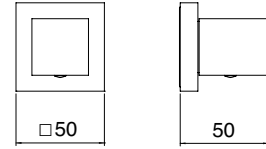
Rubinetto d'arresto 1/2"
1/2" concealed stop valve
Robinet d'arrêt 1/2"
UP-Ventil 1/2"



ITRTVT101CC RWIT7240ZZ04 P_798

RWIT 1040 ZZ 01 87,00

+ PARTI INCASSO - CONCEALED BODY
CORPS À ENCASTRER - UNTERPUTZTEIL



CC	RWIT 73D5 CC 01	129,00
NN	RWIT 73D5 NN 01	184,00
BB	RWIT 73D5 BB 01	184,00
NL	RWIT 73D5 NL 01	181,00
NF	RWIT 73D5 NF 01	181,00
HH	RWIT 73D5 HH 01	222,00
CZ	RWIT 73D5 CZ 01	222,00
DZ	RWIT 73D5 DZ 01	286,00
SZ	RWIT 73D5 SZ 01	286,00

Deviatore incasso 2 uscite
2 ways concealed diverter
Inverseur à encastrer à 2 sorties
2 Wege UP- Umsteller



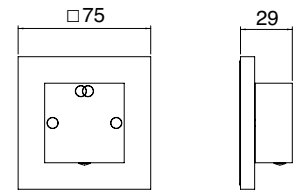
ITRTVT189ZZ RWIT7546ZZ82 24 l/min N° 15

RWIT 7AD5 ZZ 01 200,00

+ PARTI INCASSO - CONCEALED BODY
CORPS À ENCASTRER - UNTERPUTZTEIL



P_791



CC	RWIT 73D6 CC 01	140,00
NN	RWIT 73D6 NN 01	198,00
BB	RWIT 73D6 BB 01	198,00
NL	RWIT 73D6 NL 01	195,00
NF	RWIT 73D6 NF 01	195,00
HH	RWIT 73D6 HH 01	240,00
CZ	RWIT 73D6 CZ 01	240,00
DZ	RWIT 73D6 DZ 01	308,00
SZ	RWIT 73D6 SZ 01	308,00

Deviatore incasso 3 uscite
3 ways concealed diverter
Inverseur à encastrer à 3 sorties
3 Wege UP- Umsteller



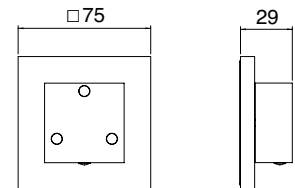
ITRTVT190ZZ RWIT7546ZZ82 24 l/min N° 15

RWIT 7AD5 ZZ 01 200,00

+ PARTI INCASSO - CONCEALED BODY
CORPS À ENCASTRER - UNTERPUTZTEIL



P_791

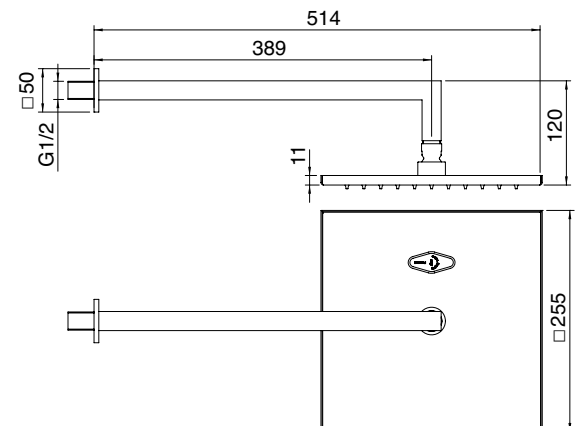


CC	IT 0486 CC ZZ ZZ	334,00
NN	IT 0486 NN ZZ ZZ	444,00
BB	IT 0486 BB ZZ ZZ	444,00
NL	IT 0486 NL ZZ ZZ	435,00
NF	IT 0486 NF ZZ ZZ	435,00
HH	IT 0486 HH ZZ ZZ	514,00
CZ	IT 0486 CZ ZZ ZZ	514,00
DZ	IT 0486 DZ ZZ ZZ	695,00
SZ	IT 0486 SZ ZZ ZZ	695,00

Soffione a parete anticalcare
Anti-limescale shower-head
Douche de tête anticalcaire avec bras mural
Antikalk Kopfbrause mit Arm



METAL 250 mm 9 l/min



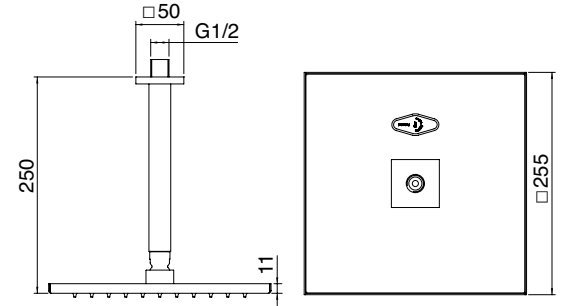


CC	IT 0496 CC ZZ ZZ	300,00
NN	IT 0496 NN ZZ ZZ	400,00
BB	IT 0496 BB ZZ ZZ	400,00
NL	IT 0496 NL ZZ ZZ	391,00
NF	IT 0496 NF ZZ ZZ	391,00
HH	IT 0496 HH ZZ ZZ	463,00
CZ	IT 0496 CZ ZZ ZZ	463,00
DZ	IT 0496 DZ ZZ ZZ	624,00
SZ	IT 0496 SZ ZZ ZZ	624,00

Soffione a soffitto anticalcare
Ceiling anti-limescale shower-head
Douche de tête anticalcaire avec bras au plafond
Antikalk Regenbrause mit Deckenanbindung



METAL 250 mm 9 l/min

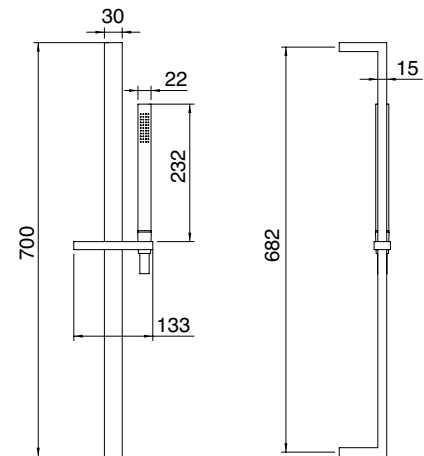


CC	IT 0411 CC ZZ ZZ	279,00
NN	IT 0411 NN ZZ ZZ	380,00
BB	IT 0411 BB ZZ ZZ	380,00
NL	IT 0411 NL ZZ ZZ	374,00
NF	IT 0411 NF ZZ ZZ	374,00
HH	IT 0411 HH ZZ ZZ	430,00
CZ	IT 0411 CZ ZZ ZZ	430,00
DZ	IT 0411 DZ ZZ ZZ	578,00
SZ	IT 0411 SZ ZZ ZZ	578,00

Kit saliscendi senza presa acqua
Sliding-bar kit without hose outlet
Barre coulissante sans coude mural
Gleitstange ohne Wandanschlussbogen



1,5 M PVC METAL 8 l/min

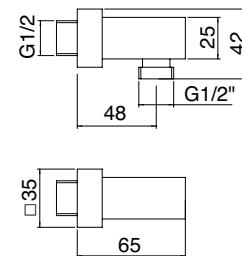


CC	IT RTGA 119 CC	39,00
NN	IT RTGA 119 NN	50,00
BB	IT RTGA 119 BB	50,00
NL	IT RTGA 119 NL	51,00
NF	IT RTGA 119 NF	51,00
HH	IT RTGA 119 HH	58,00
CZ	IT RTGA 119 CZ	58,00
DZ	IT RTGA 119 DZ	79,00
SZ	IT RTGA 119 SZ	79,00

Presa acqua a muro
Wall hose outlet
Coude mural
Wandanschlussbogen



1/2 M 1/2 M

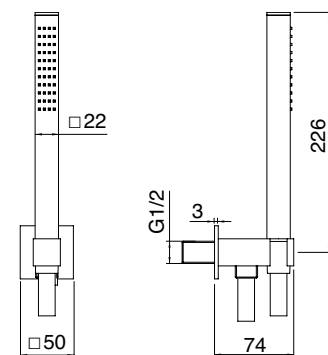


CC	RWIT 5605 CC 74	182,00
NN	RWIT 5605 NN 74	254,00
BB	RWIT 5605 BB 74	254,00
NL	RWIT 5605 NL 74	244,00
NF	RWIT 5605 NF 74	244,00
HH	RWIT 5605 HH 74	278,00
CZ	RWIT 5605 CZ 74	278,00
DZ	RWIT 5605 DZ 74	374,00
SZ	RWIT 5605 SZ 74	374,00

Kit gancio, flessibile, doccia
Hook, flexible and hand shower kit
Kit support, flexible et douche
Brausehalter, Schlauch und Handbrause



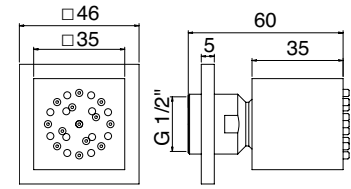
1,5 M PVC METAL 1/2 M 1/2 M 8 l/min



X-Change x_Q

CC	IT RTBR 203 CC	94,00
NN	IT RTBR 203 NN	126,00
BB	IT RTBR 203 BB	126,00
NL	IT RTBR 203 NL	123,00
NF	IT RTBR 203 NF	123,00
HH	IT RTBR 203 HH	146,00
CZ	IT RTBR 203 CZ	146,00
DZ	IT RTBR 203 DZ	196,00
SZ	IT RTBR 203 SZ	196,00

Soffione laterale
Nozzle
Buse
Düse



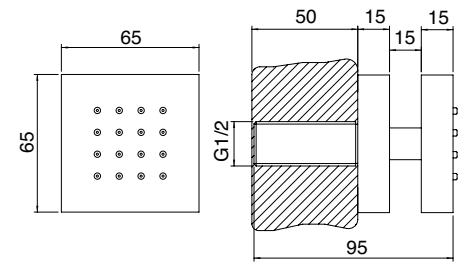
1/2 F

4 l/min



CC	IT RTBR 278 CC	163,00
NN	IT RTBR 278 NN	218,00
BB	IT RTBR 278 BB	218,00
NL	IT RTBR 278 NL	212,00
NF	IT RTBR 278 NF	212,00
HH	IT RTBR 278 HH	252,00
CZ	IT RTBR 278 CZ	252,00
DZ	IT RTBR 278 DZ	339,00
SZ	IT RTBR 278 SZ	339,00

Soffione laterale
Nozzle
Buse
Düse



1/2 F

4 l/min

Per ulteriori composizioni doccia vedi sezione SHOWERS & THERMOSTATICS

For other shower fittings check the SHOWERS & THERMOSTATICS section

Pour d'autres solutions douche voir section SHOWERS & THERMOSTATICS

Für weitere duschaustattungen siehe abschnitt SHOWERS & THERMOSTATICS

Electronic washbasin tap

- chrome **CC**
- matt black **NN**
- matt white **BB**
- polished nickel **NL**
- brushed nickel **NF**
- polished black chrome **HH**
- brushed black chrome **CZ**
- brushed bronze **US**
- brushed brass **UZ**
- gold **DD**
- brushed gold **DZ**



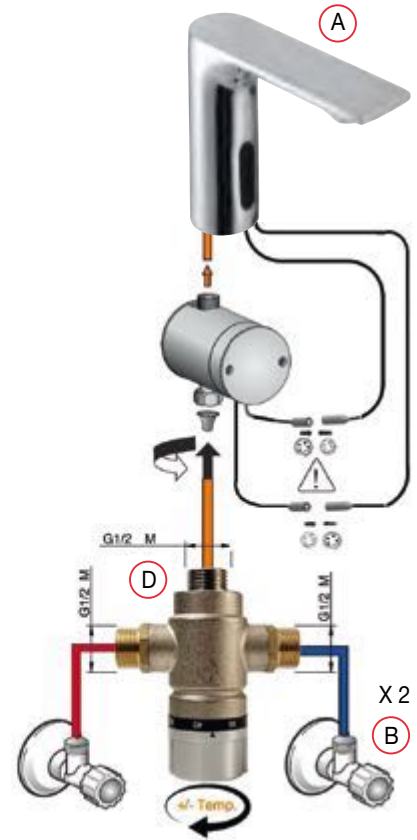
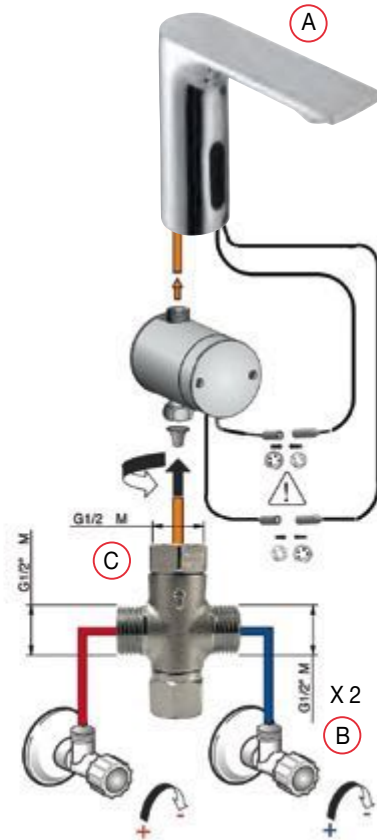
Electronic washbasin tap

Standard - Standard
Standard - Standard

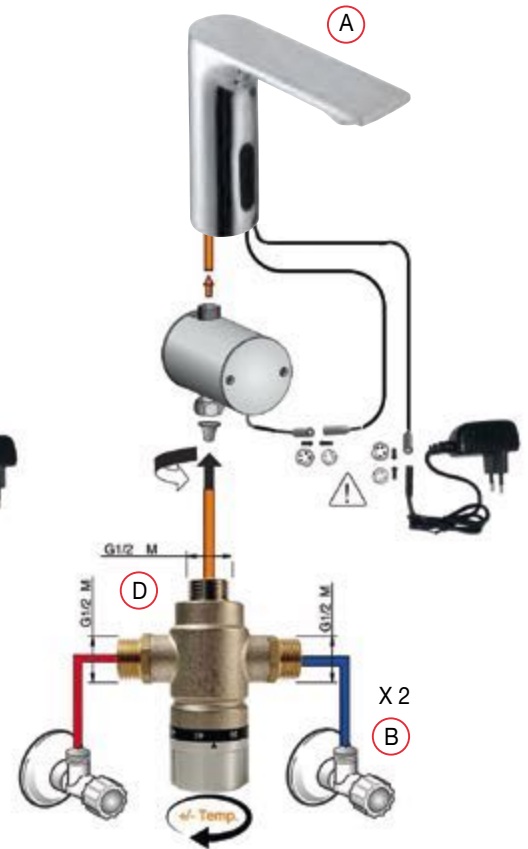
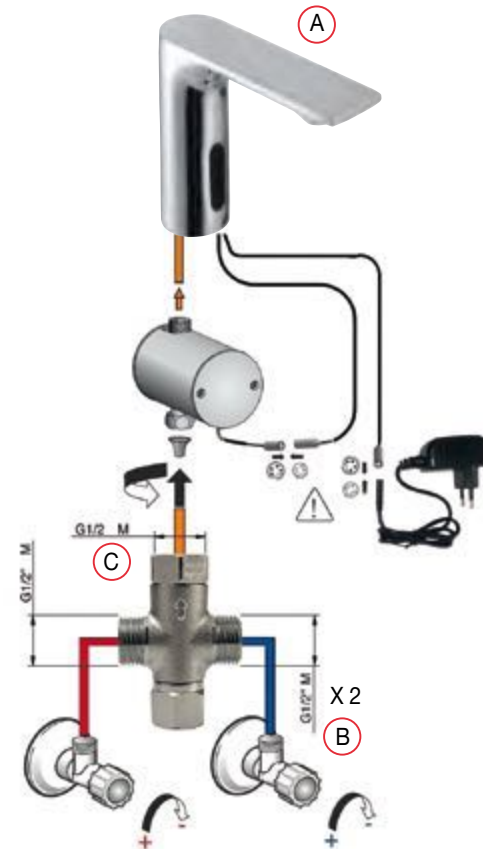
Meccanico - Mechanical
Mécannique - Mechanisch

Termostatico - Thermostatic
Thermostatique - Thermostatisch

BATTERY
Batteria
Battery
Pile
Batterie



AC/DC
Con alimentazione elettrica
With power supply
Sur secteur
Mit energie versorgung



Electronic washbasin tap



Batteria
Battery
Pile
Batterie



(A)	CC	IT 2215 CC ZZ ZZ	441,00
	NN	IT 2215 NN ZZ ZZ	488,00
	BB	IT 2215 BB ZZ ZZ	488,00
	NL	IT 2215 NL ZZ ZZ	486,00
	NF	IT 2215 NF ZZ ZZ	486,00
	HH	IT 2215 HH ZZ ZZ	522,00
	CZ	IT 2215 CZ ZZ ZZ	522,00
	US	IT 2215 US ZZ ZZ	522,00
	UZ	IT 2215 UZ ZZ ZZ	522,00
	DD	IT 2215 DD ZZ ZZ	576,00
	DZ	IT 2215 DZ ZZ ZZ	576,00

Rubinetto elettronico con fotocellula per lavabo
Electronic washbasin tap
Robinet lavabo avec commande par cellule électronique
Elektronischer Waschtisch Arnaturen



ITRTAE158ZZ



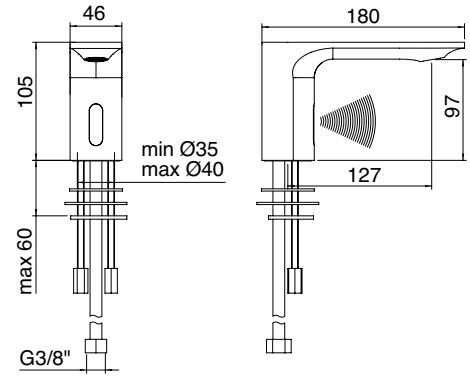
ITRTAT120ZZ



6 l/min



ITRTEL024ZZ



Con alimentazione elettrica
With power supply
Sur secteur
Mit energie versorgung



(A)	CC	IT 2215 CC ZZ EL	464,00
	NN	IT 2215 NN ZZ EL	510,00
	BB	IT 2215 BB ZZ EL	510,00
	NL	IT 2215 NL ZZ EL	508,00
	NF	IT 2215 NF ZZ EL	508,00
	HH	IT 2215 HH ZZ EL	544,00
	CZ	IT 2215 CZ ZZ EL	544,00
	US	IT 2215 US ZZ EL	544,00
	UZ	IT 2215 UZ ZZ EL	544,00
	DD	IT 2215 DD ZZ EL	598,00
	DZ	IT 2215 DZ ZZ EL	598,00

Rubinetto elettronico con fotocellula per lavabo
Electronic washbasin tap
Robinet lavabo avec commande par cellule électronique
Elektronischer Waschtisch Arnaturen



ITRTAE158ZZ



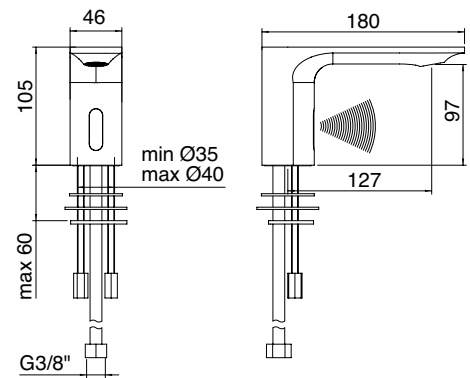
ITRTAT120ZZ



6 l/min



ITRTEL027ZZ





Electronic washbasin tap

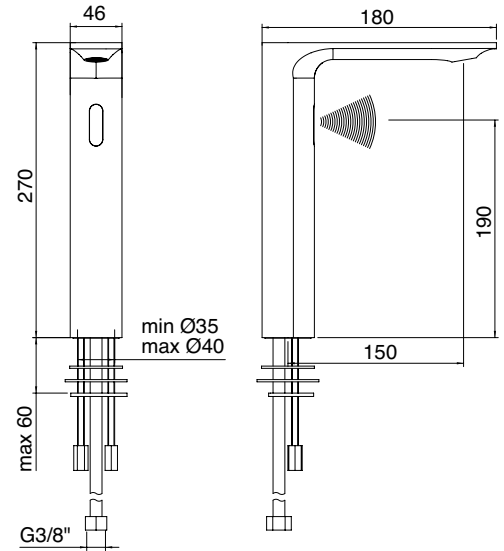


A	CC	IT 22A1 CC ZZ ZZ	507,00
	NN	IT 22A1 NN ZZ ZZ	589,00
	BB	IT 22A1 BB ZZ ZZ	589,00
	NL	IT 22A1 NL ZZ ZZ	585,00
	NF	IT 22A1 NF ZZ ZZ	585,00
	HH	IT 22A1 HH ZZ ZZ	647,00
	CZ	IT 22A1 CZ ZZ ZZ	647,00
	US	IT 22A1 US ZZ ZZ	647,00
	UZ	IT 22A1 UZ ZZ ZZ	647,00
	DD	IT 22A1 DD ZZ ZZ	741,00
	DZ	IT 22A1 DZ ZZ ZZ	741,00

Rubinetto elettronico con fotocellula per lavabo
 Electronic washbasin tap
 Robinet lavabo avec commande par cellule électronique
 Elektronischer Waschtisch Arnaturen

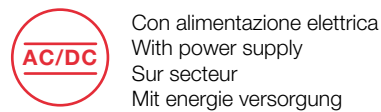


ITRTAE158ZZ ITRTAT120ZZ 6 l/min ITRTEL024ZZ

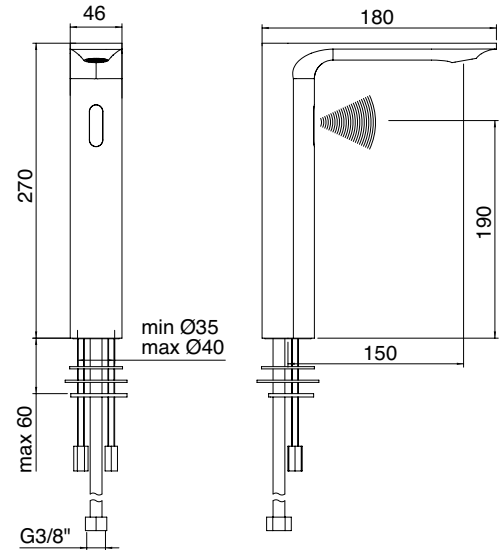


A	CC	IT 22A1 CC ZZ EL	528,00
	NN	IT 22A1 NN ZZ EL	610,00
	BB	IT 22A1 BB ZZ EL	610,00
	NL	IT 22A1 NL ZZ EL	606,00
	NF	IT 22A1 NF ZZ EL	606,00
	HH	IT 22A1 HH ZZ EL	668,00
	CZ	IT 22A1 CZ ZZ EL	668,00
	US	IT 22A1 US ZZ EL	668,00
	UZ	IT 22A1 UZ ZZ EL	668,00
	DD	IT 22A1 DD ZZ EL	763,00
	DZ	IT 22A1 DZ ZZ EL	763,00

Rubinetto elettronico con fotocellula per lavabo
 Electronic washbasin tap
 Robinet lavabo avec commande par cellule électronique
 Elektronischer Waschtisch Arnaturen

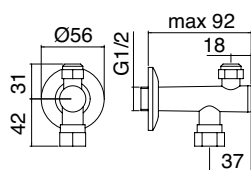


ITRTAE158ZZ ITRTAT120ZZ 6 l/min ITRTEL027ZZ



B	CC	IT 0480 CC ZZ ZZ	23,00
	NN	IT 0480 NN ZZ ZZ	41,00
	BB	IT 0480 BB ZZ ZZ	41,00
	NL	IT 0480 NL ZZ ZZ	41,00
	NF	IT 0480 NF ZZ ZZ	41,00
	HH	IT 0480 HH ZZ ZZ	46,00
	CZ	IT 0480 CZ ZZ ZZ	46,00
	US	IT 0480 US ZZ ZZ	46,00
	UZ	IT 0480 UZ ZZ ZZ	46,00
	DD	IT 0480 DD ZZ ZZ	51,00
	DZ	IT 0480 DZ ZZ ZZ	51,00

Rubinetto d'arresto con filtro
 Stop valve with filter
 Robinet d'arrêt avec filtre
 Eckventile m Filter u. Absperrung



C	CC	IT RTRB 190 CC	50,00
----------	-----------	----------------	-------

Snodo a T con valvola di non ritorno acqua
 T-joint with check valve
 Jonction en T avec clapet anti-retour d'eau
 T-förmiges Mischeinheit mit Rückschlagventil



D	CC	IT RTMT 142 CC	170,00
----------	-----------	----------------	--------

Snodo a T con termostatico
 T-Joint with thermostatic
 Jonction en T avec thermostatique
 T-förmiges Thermostat



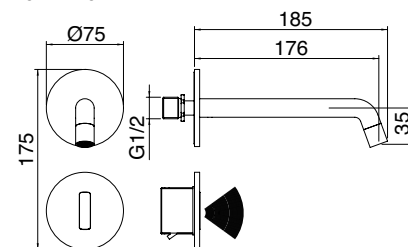
Electronic washbasin tap



CC	RWIT 6B95 CC 02	134,00
NN	RWIT 6B95 NN 02	191,00
BB	RWIT 6B95 BB 02	191,00
NL	RWIT 6B95 NL 02	188,00
NF	RWIT 6B95 NF 02	188,00
HH	RWIT 6B95 HH 02	231,00
CZ	RWIT 6B95 CZ 02	231,00
US	RWIT 6B95 US 02	231,00
UZ	RWIT 6B95 UZ 02	231,00
DD	RWIT 6B95 DD 02	297,00
DZ	RWIT 6B95 DZ 02	297,00

- + ● **RWIT 1395 ZZ 01** 536,00 - STANDARD P_583
- + ● **RWIT 1395 ZZ MX** 763,00 - THERMOSTATIC P_583

 PARTI INCASSO - CONCEALED BODY
CORPS À ENCASTRER - UNTERPUTZTEIL



Rubinetto elettronico con fotocellula per lavabo 176
Electronic washbasin tap 176
Robinet lavabo avec commande par cellule électronique 176
Elektronischer Waschtisch Arnaturen 176




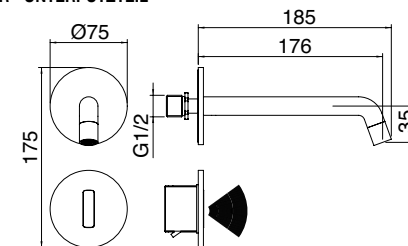
BATTERY
Batteria
Battery
Pile
Batterie



CC	RWIT 6B95 CC EL	186,00
NN	RWIT 6B95 NN EL	264,00
BB	RWIT 6B95 BB EL	264,00
NL	RWIT 6B95 NL EL	260,00
NF	RWIT 6B95 NF EL	260,00
HH	RWIT 6B95 HH EL	320,00
CZ	RWIT 6B95 CZ EL	320,00
US	RWIT 6B95 US EL	320,00
UZ	RWIT 6B95 UZ EL	320,00
DD	RWIT 6B95 DD EL	410,00
DZ	RWIT 6B95 DZ EL	410,00

- + ● **RWIT 1395 ZZ 01** 536,00 - STANDARD P_583
- + ● **RWIT 1395 ZZ MX** 763,00 - THERMOSTATIC P_583

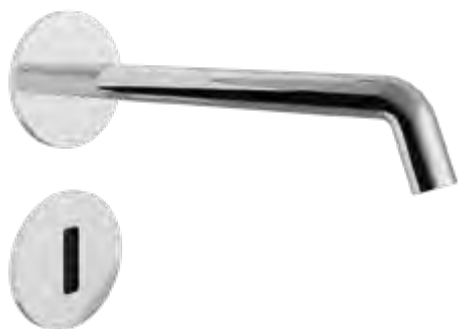
 PARTI INCASSO - CONCEALED BODY
CORPS À ENCASTRER - UNTERPUTZTEIL



Rubinetto elettronico con fotocellula per lavabo 176
Electronic washbasin tap 176
Robinet lavabo avec commande par cellule électronique 176
Elektronischer Waschtisch Arnaturen 176



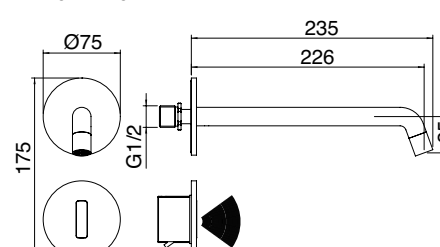
AC/DC
Con alimentazione elettrica
With power supply
Sur secteur
Mit energie versorgung



CC	RWIT 6B96 CC 02	145,00
NN	RWIT 6B96 NN 02	205,00
BB	RWIT 6B96 BB 02	205,00
NL	RWIT 6B96 NL 02	202,00
NF	RWIT 6B96 NF 02	202,00
HH	RWIT 6B96 HH 02	249,00
CZ	RWIT 6B96 CZ 02	249,00
US	RWIT 6B96 US 02	249,00
UZ	RWIT 6B96 UZ 02	249,00
DD	RWIT 6B96 DD 02	320,00
DZ	RWIT 6B96 DZ 02	320,00

- + ● **RWIT 1395 ZZ 01** 536,00 - STANDARD P_583
- + ● **RWIT 1395 ZZ MX** 763,00 - THERMOSTATIC P_583

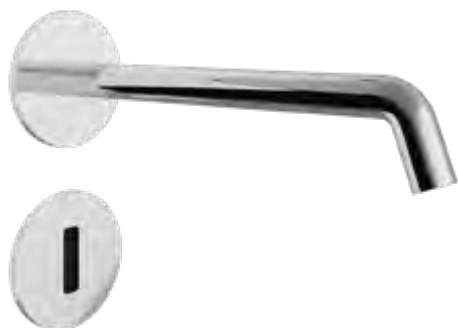
 PARTI INCASSO - CONCEALED BODY
CORPS À ENCASTRER - UNTERPUTZTEIL



Rubinetto elettronico con fotocellula per lavabo 226
Electronic washbasin tap 226
Robinet lavabo avec commande par cellule électronique 226
Elektronischer Waschtisch Arnaturen 226



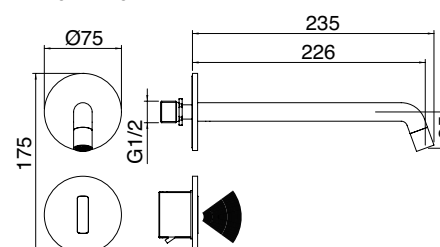
BATTERY
Batteria
Battery
Pile
Batterie



CC	RWIT 6B96 CC EL	196,00
NN	RWIT 6B96 NN EL	279,00
BB	RWIT 6B96 BB EL	279,00
NL	RWIT 6B96 NL EL	274,00
NF	RWIT 6B96 NF EL	274,00
HH	RWIT 6B96 HH EL	337,00
CZ	RWIT 6B96 CZ EL	337,00
US	RWIT 6B96 US EL	337,00
UZ	RWIT 6B96 UZ EL	337,00
DD	RWIT 6B96 DD EL	433,00
DZ	RWIT 6B96 DZ EL	433,00

- + ● **RWIT 1395 ZZ 01** 536,00 - STANDARD P_583
- + ● **RWIT 1395 ZZ MX** 763,00 - THERMOSTATIC P_583

 PARTI INCASSO - CONCEALED BODY
CORPS À ENCASTRER - UNTERPUTZTEIL



Rubinetto elettronico con fotocellula per lavabo 226
Electronic washbasin tap 226
Robinet lavabo avec commande par cellule électronique 226
Elektronischer Waschtisch Arnaturen 226



AC/DC
Con alimentazione elettrica
With power supply
Sur secteur
Mit energie versorgung

Electronic washbasin tap



Batteria
Battery
Pile
Batterie

CC	RWIT 2295 CC 10	329,00
NN	RWIT 2295 NN 10	369,00
BB	RWIT 2295 BB 10	369,00
NL	RWIT 2295 NL 10	367,00
NF	RWIT 2295 NF 10	367,00
HH	RWIT 2295 HH 10	398,00
CZ	RWIT 2295 CZ 10	398,00
US	RWIT 2295 US 10	398,00
UZ	RWIT 2295 UZ 10	398,00
DD	RWIT 2295 DD 10	443,00
DZ	RWIT 2295 DZ 10	443,00

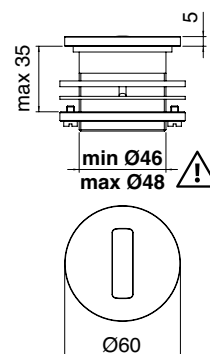
Sensore a infrarossi da piano
Counter top infrared sensor
Décteur infrarouge sur gorge
Waschtish Infrarot Sensorik



RWIT2895ZZ10 N° 63

+ IT RTEL 026 ZZ 02 134,00 - STANDARD P_584

+ RWIT 2895 ZZ 05 362,00 - THERMOSTATIC P_584



Con alimentazione elettrica
With power supply
Sur secteur
Mit energie versorgung

CC	RWIT 2295 CC EL	382,00
NN	RWIT 2295 NN EL	422,00
BB	RWIT 2295 BB EL	422,00
NL	RWIT 2295 NL EL	420,00
NF	RWIT 2295 NF EL	420,00
HH	RWIT 2295 HH EL	451,00
CZ	RWIT 2295 CZ EL	451,00
US	RWIT 2295 US EL	451,00
UZ	RWIT 2295 UZ EL	451,00
DD	RWIT 2295 DD EL	497,00
DZ	RWIT 2295 DZ EL	497,00

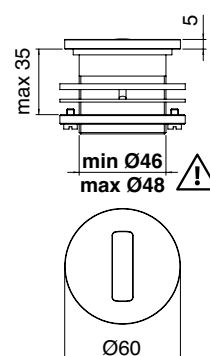
Sensore a infrarossi da piano
Counter top infrared sensor
Décteur infrarouge sur gorge
Waschtish Infrarot Sensorik



RWIT2895ZZ20 N° 63

+ IT RTEL 026 ZZ 02 134,00 - STANDARD

+ RWIT 2895 ZZ 05 362,00 - THERMOSTATIC P_584



Batteria
Battery
Pile
Batterie

CC	RWIT 2295 CC 20	329,00
NN	RWIT 2295 NN 20	369,00
BB	RWIT 2295 BB 20	369,00
NL	RWIT 2295 NL 20	367,00
NF	RWIT 2295 NF 20	367,00
HH	RWIT 2295 HH 20	398,00
CZ	RWIT 2295 CZ 20	398,00
US	RWIT 2295 US 20	398,00
UZ	RWIT 2295 UZ 20	398,00
DD	RWIT 2295 DD 20	443,00
DZ	RWIT 2295 DZ 20	443,00

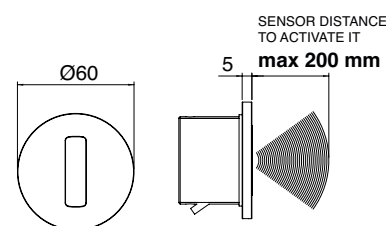
Sensore a infrarossi da muro
Wall mounted infrared sensor
Capteur à infrarouge mural
UP Infrarot Sensorik



RWIT2895ZZ10 N° 63

+ RWIT 6B95 ZZ 01 500,00 - STANDARD P_583

+ RWIT 6B95 ZZ MX 720,00 - THERMOSTATIC P_583



Con alimentazione elettrica
With power supply
Sur secteur
Mit energie versorgung

CC	RWIT 2295 CC 40	382,00
NN	RWIT 2295 NN 40	422,00
BB	RWIT 2295 BB 40	422,00
NL	RWIT 2295 NL 40	420,00
NF	RWIT 2295 NF 40	420,00
HH	RWIT 2295 HH 40	451,00
CZ	RWIT 2295 CZ 40	451,00
US	RWIT 2295 US 40	451,00
UZ	RWIT 2295 UZ 40	451,00
DD	RWIT 2295 DD 40	497,00
DZ	RWIT 2295 DZ 40	497,00

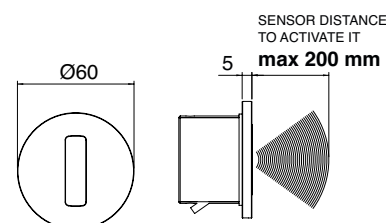
Sensore a infrarossi da muro
Wall mounted infrared sensor
Capteur à infrarouge mural
UP Infrarot Sensorik



RWIT2895ZZ20 N° 63

+ RWIT 6B95 ZZ 01 500,00 - STANDARD P_583

+ RWIT 6B95 ZZ MX 720,00 - THERMOSTATIC P_583





IT 6576 CC ZZ ZZ

ELECTRONIC

X-CHANGE

Electronic washbasin tap

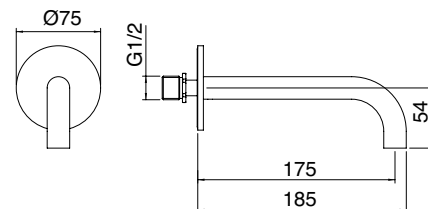


CC	IT 7563 CC ZZ ZZ	77,00
NN	IT 7563 NN ZZ ZZ	100,00
BB	IT 7563 BB ZZ ZZ	100,00
NL	IT 7563 NL ZZ ZZ	98,00
NF	IT 7563 NF ZZ ZZ	98,00
HH	IT 7563 HH ZZ ZZ	117,00
CZ	IT 7563 CZ ZZ ZZ	117,00
US	IT 7563 US ZZ ZZ	117,00
UZ	IT 7563 UZ ZZ ZZ	117,00
DD	IT 7563 DD ZZ ZZ	157,00
DZ	IT 7563 DZ ZZ ZZ	157,00

Bocca a muro 175
Wall-mtd. spout 175
Bec mural 175
Wandauslauf 175



ITRTAE137ZZ ITRTAT105ZZ 5 l/min

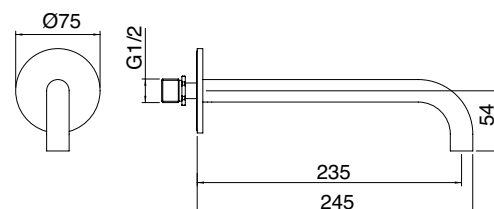


CC	IT 7561 CC ZZ ZZ	83,00
NN	IT 7561 NN ZZ ZZ	110,00
BB	IT 7561 BB ZZ ZZ	110,00
NL	IT 7561 NL ZZ ZZ	107,00
NF	IT 7561 NF ZZ ZZ	107,00
HH	IT 7561 HH ZZ ZZ	127,00
CZ	IT 7561 CZ ZZ ZZ	127,00
US	IT 7561 US ZZ ZZ	127,00
UZ	IT 7561 UZ ZZ ZZ	127,00
DD	IT 7561 DD ZZ ZZ	170,00
DZ	IT 7561 DZ ZZ ZZ	170,00

Bocca a muro 235
Wall-mtd. spout 235
Bec mural 235
Wandauslauf 235



ITRTAE137ZZ ITRTAT105ZZ 5 l/min

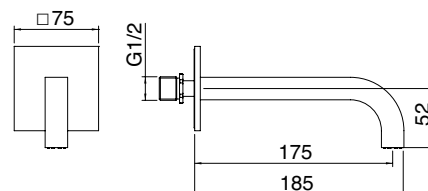


CC	IT 7663 CC ZZ ZZ	149,00
NN	IT 7663 NN ZZ ZZ	197,00
BB	IT 7663 BB ZZ ZZ	197,00
NL	IT 7663 NL ZZ ZZ	193,00
NF	IT 7663 NF ZZ ZZ	193,00
HH	IT 7663 HH ZZ ZZ	228,00
CZ	IT 7663 CZ ZZ ZZ	228,00
US	IT 7663 US ZZ ZZ	228,00
UZ	IT 7663 UZ ZZ ZZ	228,00
DD	IT 7663 DD ZZ ZZ	307,00
DZ	IT 7663 DZ ZZ ZZ	307,00

Bocca a muro 175
Wall-mtd. spout 175
Bec mural 175
Wandauslauf 175



ITRTAE137ZZ ITRTAT105ZZ 5 l/min

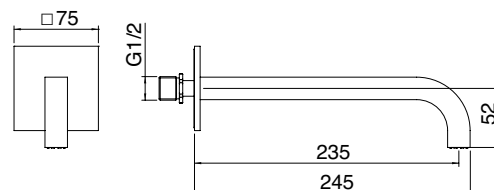


CC	IT 7661 CC ZZ ZZ	157,00
NN	IT 7661 NN ZZ ZZ	209,00
BB	IT 7661 BB ZZ ZZ	209,00
NL	IT 7661 NL ZZ ZZ	204,00
NF	IT 7661 NF ZZ ZZ	204,00
HH	IT 7661 HH ZZ ZZ	242,00
CZ	IT 7661 CZ ZZ ZZ	242,00
US	IT 7661 US ZZ ZZ	242,00
UZ	IT 7661 UZ ZZ ZZ	242,00
DD	IT 7661 DD ZZ ZZ	326,00
DZ	IT 7661 DZ ZZ ZZ	326,00

Bocca a muro 235
Wall-mtd. spout 235
Bec mural 235
Wandauslauf 235



ITRTAE137ZZ ITRTAT105ZZ 5 l/min



Electronic washbasin tap

X-CHANGE

ELECTRONIC

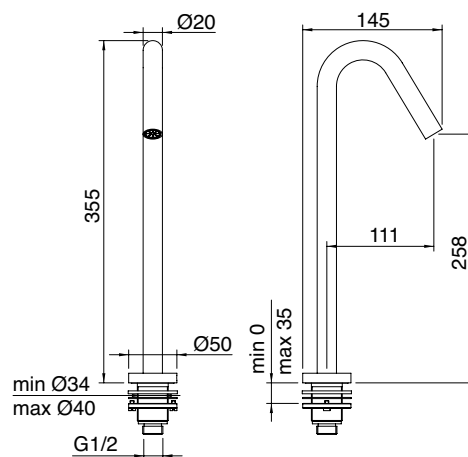


CC	RWIT 7285 CC 15	93,00
NN	RWIT 7285 NN 15	123,00
BB	RWIT 7285 BB 15	123,00
NL	RWIT 7285 NL 15	120,00
NF	RWIT 7285 NF 15	120,00
HH	RWIT 7285 HH 15	142,00
CZ	RWIT 7285 CZ 15	142,00
US	RWIT 7285 US 15	142,00
UZ	RWIT 7285 UZ 15	142,00
DD	RWIT 7285 DD 15	192,00
DZ	RWIT 7285 DZ 15	192,00

Bocca lavabo da piano 258
Deck-mtd spout 258
Bec sur gorge 258
Einlauf 258



ITRTAE145ZZ ITRTAT118ZZ 5 l/min

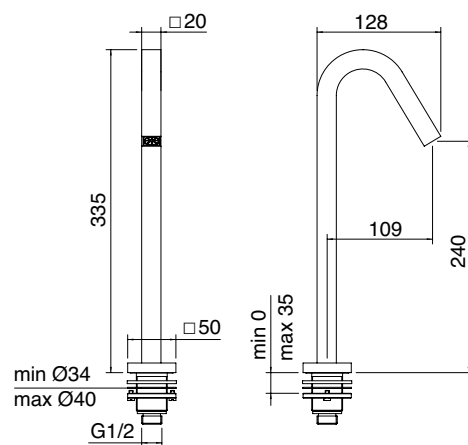


CC	RWIT 7385 CC 15	150,00
NN	RWIT 7385 NN 15	198,00
BB	RWIT 7385 BB 15	198,00
NL	RWIT 7385 NL 15	194,00
NF	RWIT 7385 NF 15	194,00
HH	RWIT 7385 HH 15	230,00
CZ	RWIT 7385 CZ 15	230,00
US	RWIT 7385 US 15	230,00
UZ	RWIT 7385 UZ 15	230,00
DD	RWIT 7385 DZ 15	309,00
DZ	RWIT 7385 SZ 15	309,00

Bocca lavabo da piano 240
Deck-mtd spout 240
Bec sur gorge 240
Einlauf 240



ITRTAE137ZZ ITRTAT105ZZ 5 l/min

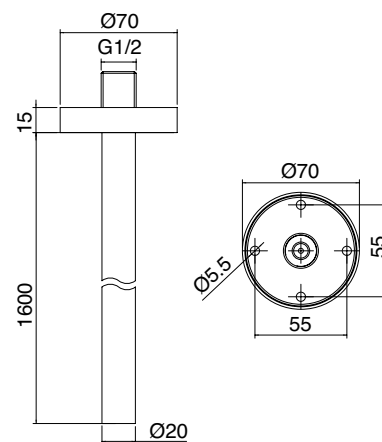


CC	IT 6576 CC ZZ ZZ	163,00
NN	IT 6576 NN ZZ ZZ	209,00
BB	IT 6576 BB ZZ ZZ	209,00
NL	IT 6576 NL ZZ ZZ	217,00
NF	IT 6576 NF ZZ ZZ	217,00
HH	IT 6576 HH ZZ ZZ	252,00
CZ	IT 6576 CZ ZZ ZZ	252,00
US	IT 6576 US ZZ ZZ	252,00
UZ	IT 6576 UZ ZZ ZZ	252,00
DD	IT 6576 DD ZZ ZZ	326,00
DZ	IT 6576 DZ ZZ ZZ	339,00

Bocca a soffitto con rosone
Ceiling spout
Bec au plafond
Deckenauslauf



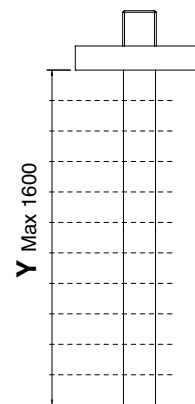
ITRTAE137ZZ ITRTAT105ZZ 5 l/min



CC	IT 6576 CC ZZ YY	248,00
NN	IT 6576 NN ZZ YY	330,00
BB	IT 6576 BB ZZ YY	330,00
NL	IT 6576 NL ZZ YY	323,00
NF	IT 6576 NF ZZ YY	323,00
HH	IT 6576 HH ZZ YY	382,00
CZ	IT 6576 CZ ZZ YY	382,00
US	IT 6576 US ZZ YY	382,00
UZ	IT 6576 UZ ZZ YY	382,00
DD	IT 6576 DD ZZ YY	515,00
DZ	IT 6576 DZ ZZ YY	515,00

"DIMENSIONI SU MISURA"
"CUSTOMIZED SIZE"
"DIMENSIONS SUR MESURE"
"LÄNGE NACH MASS"

Y: Altezza - Height - Hauteur - Länge
= ___ cm



Electronic washbasin tap

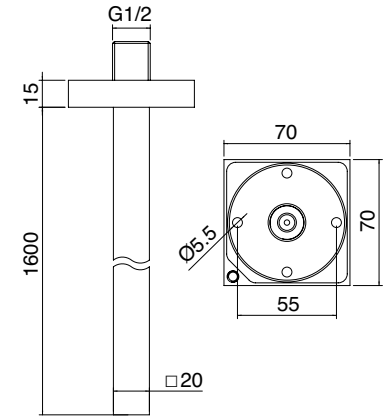


CC	IT 6577 CC ZZ ZZ	295,00
NN	IT 6577 NN ZZ ZZ	392,00
BB	IT 6577 BB ZZ ZZ	392,00
NL	IT 6577 NL ZZ ZZ	382,00
NF	IT 6577 NF ZZ ZZ	382,00
HH	IT 6577 HH ZZ ZZ	453,00
CZ	IT 6577 CZ ZZ ZZ	453,00
US	IT 6577 US ZZ ZZ	453,00
UZ	IT 6577 UZ ZZ ZZ	453,00
DD	IT 6577 DD ZZ ZZ	611,00
DZ	IT 6577 DZ ZZ ZZ	611,00

Bocca a soffitto con rosone
Ceiling spout
Bec au plafond
Deckenauslauf



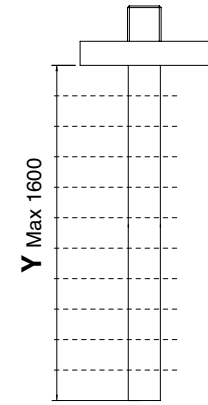
ITRTAE137ZZ ITRTAT105ZZ 5 l/min



CC	IT 6577 CC ZZ YY	380,00
NN	IT 6577 NN ZZ YY	504,00
BB	IT 6577 BB ZZ YY	504,00
NL	IT 6577 NL ZZ YY	492,00
NF	IT 6577 NF ZZ YY	492,00
HH	IT 6577 HH ZZ YY	583,00
CZ	IT 6577 CZ ZZ YY	583,00
US	IT 6577 US ZZ YY	583,00
UZ	IT 6577 UZ ZZ YY	583,00
DD	IT 6577 DD ZZ YY	787,00
DZ	IT 6577 DZ ZZ YY	787,00

"DIMENSIONI SU MISURA"
"CUSTOMIZED SIZE"
"DIMENSIONS SUR MESURE"
"LÄNGE NACH MASS"

Y: Altezza - Height - Hauteur - Länge
= ___ cm

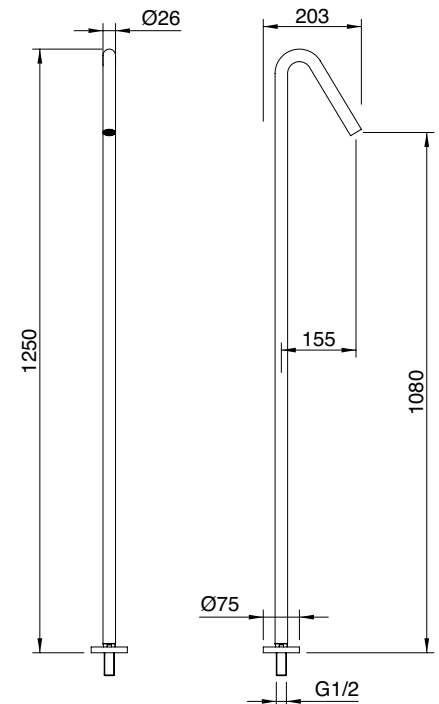


CC	RWAA 7282 CC 75	204,00
NN	RWAA 7282 NN 75	272,00
BB	RWAA 7282 BB 75	272,00
NL	RWAA 7282 NL 75	276,00
NF	RWAA 7282 NF 75	276,00
HH	RWAA 7282 HH 75	315,00
CZ	RWAA 7282 CZ 75	315,00
US	RWAA 7282 US 75	315,00
UZ	RWAA 7282 UZ 75	315,00
DD	RWAA 7282 DD 75	425,00
DZ	RWAA 7282 DZ 75	425,00

Bocca lavabo da terra 1080
Floor mounted spout 1080
Bec au sol 1080
Bodenmontierter Auslauf 1080



ITRTAE145ZZ ITRTAT118ZZ 5 l/min



Electronic washbasin tap

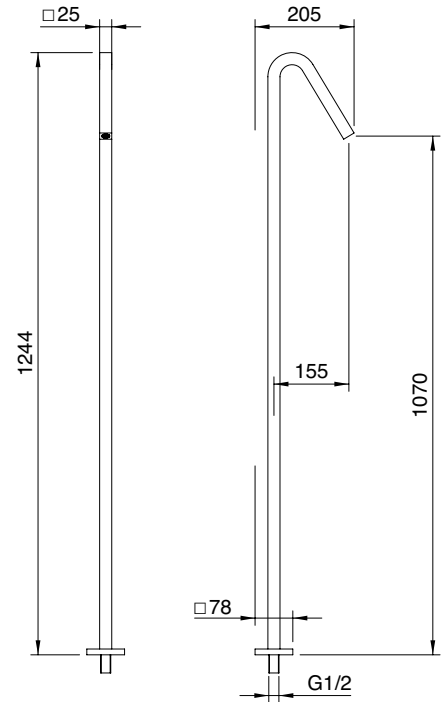
X-CHANGE

ELECTRONIC



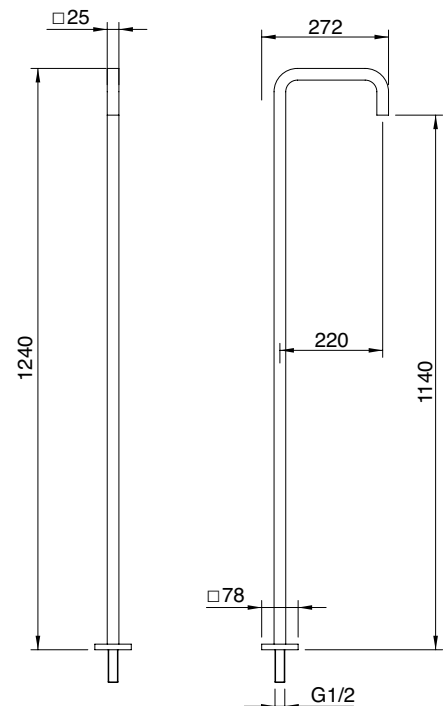
CC	RWAA 7382 CC 75	314,00
NN	RWAA 7382 NN 75	418,00
BB	RWAA 7382 BB 75	418,00
NL	RWAA 7382 NL 75	423,00
NF	RWAA 7382 NF 75	423,00
HH	RWAA 7382 HH 75	484,00
CZ	RWAA 7382 CZ 75	484,00
US	RWAA 7382 US 75	484,00
UZ	RWAA 7382 UZ 75	484,00
DD	RWAA 7382 DD 75	652,00
DZ	RWAA 7382 DZ 75	652,00

Bocca lavabo da terra 1070
 Floor mounted spout 1070
 Bec au sol 1070
 Bodenmontierter Auslauf 1070



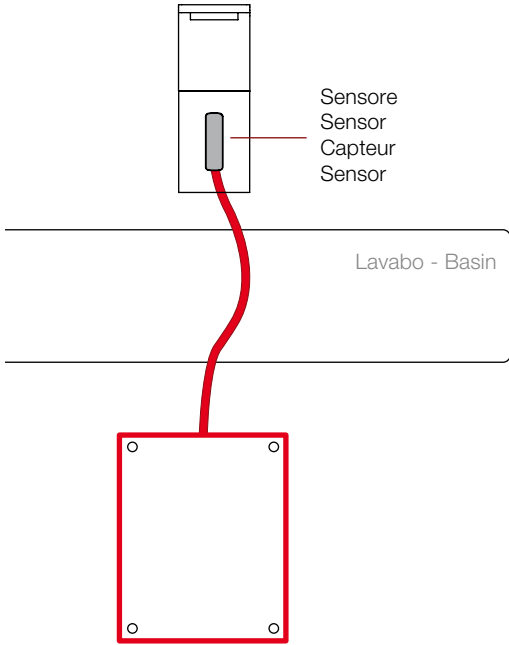
CC	RWAA 7482 CC 75	361,00
NN	RWAA 7482 NN 75	480,00
BB	RWAA 7482 BB 75	480,00
NL	RWAA 7482 NL 75	487,00
NF	RWAA 7482 NF 75	487,00
HH	RWAA 7482 HH 75	556,00
CZ	RWAA 7482 CZ 75	556,00
US	RWAA 7482 US 75	556,00
UZ	RWAA 7482 UZ 75	556,00
DD	RWAA 7482 DD 75	750,00
DZ	RWAA 7482 DZ 75	750,00

Bocca lavabo da terra 1140
 Floor mounted spout 1140
 Bec au sol 1140
 Bodenmontierter Auslauf 1140

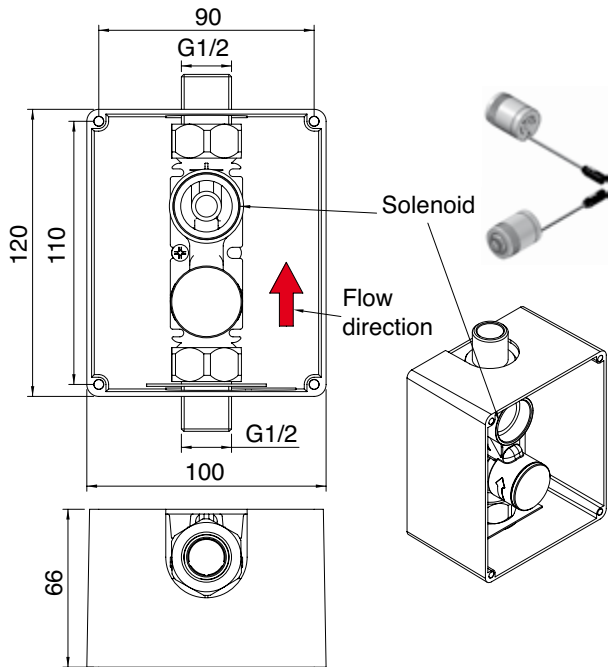


Electronic washbasin tap - Standard

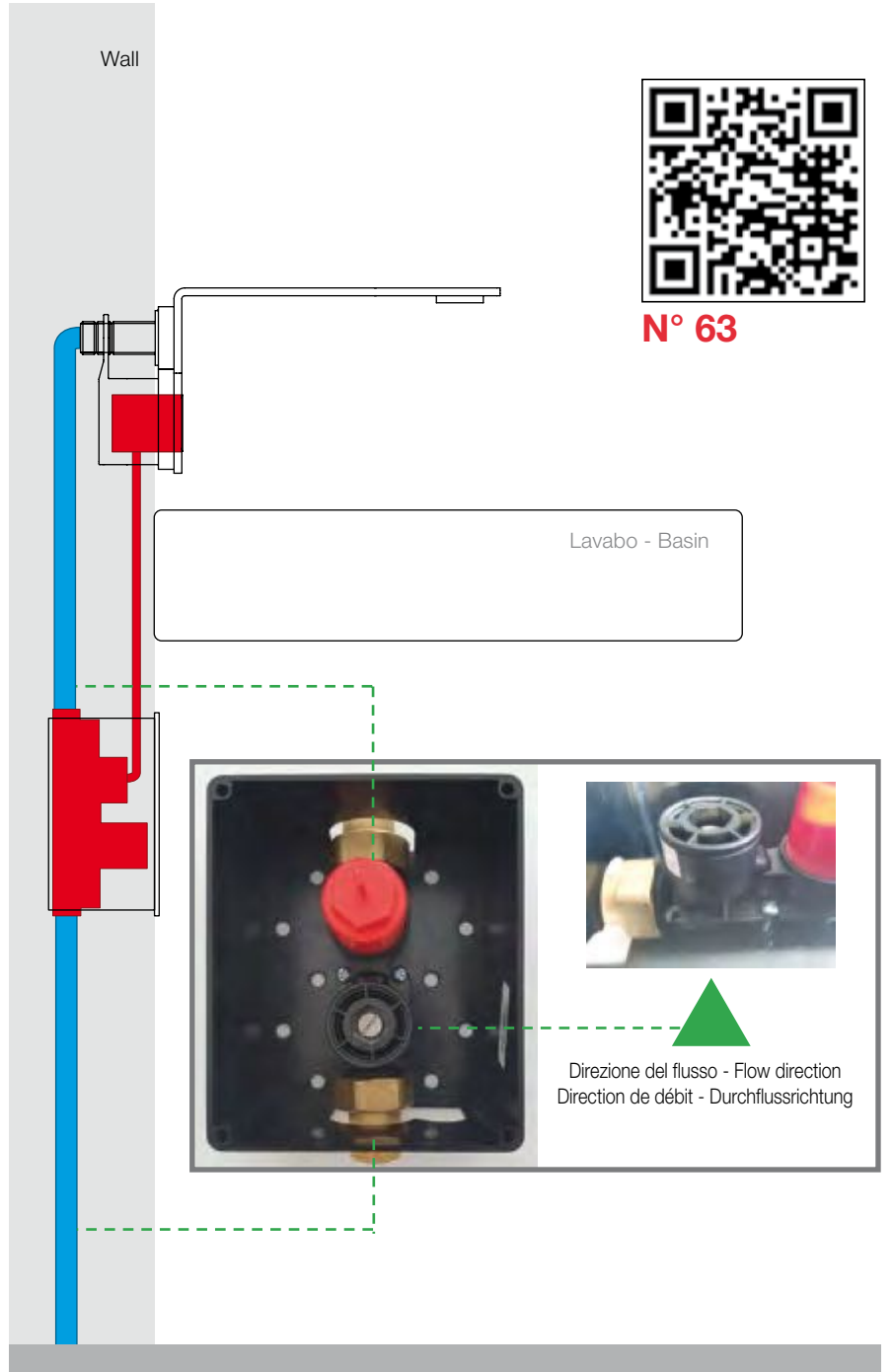
Configurazione per batteria e trasformatore da 220V:
 Cavo originale (batteria all'interno della scatola del solenoide)
 Configuration for battery and 220V transformer:
 Original cable (battery inside the solenoid box)
 Configuration pour la batterie et le transformateur 220 V :
 Câble original (la batterie est dans le boîtier de l'électrovanne)
 Konfiguration für Batterie und 220V -Transformator:
 Original-Kabel (Batterie in der Relais-Dose)



Scatola a scomparsa con elettrovalvola e batteria
 Concealed Box with solenoid valve and battery
 Boîtier caché avec électrovanne et batterie
 Verdeckte Dose mit Magnetventil und Batterie



Dettagli della scatola a scomparsa
 Concealed Box details
 Détails du boîtier caché
 Details der verdeckten Dose



Configurazione per trasformatore da 220V
 Configuration for 220V transformer
 Configuration pour le transformateur 220 V
 Konfiguration für 220V-Transformation



Scatola elettrica resistente all'acqua
 Waterproof electric box
 Boîtier électrique étanche
 Wasserdichter Schaltkasten

Electronic washbasin tap - Thermostatic

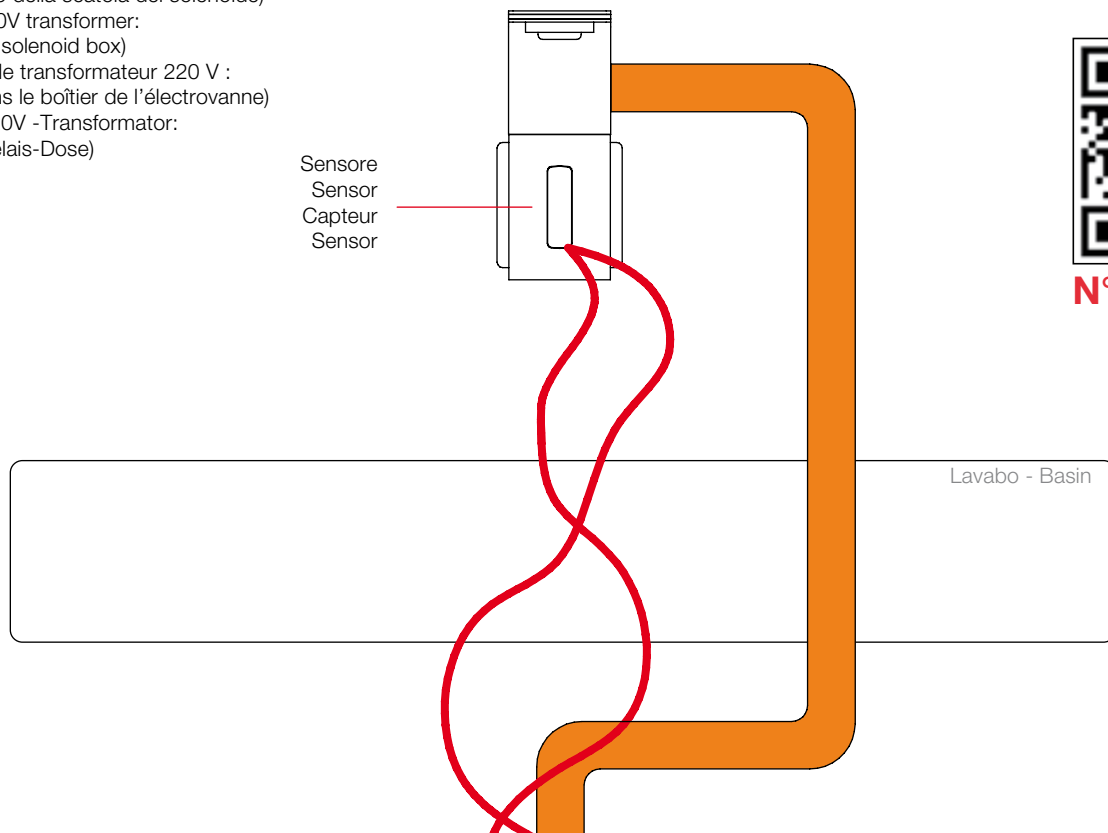
Configurazione per batteria e trasformatore da 220V:
 Cavo originale (batteria all'interno della scatola del solenoide)
 Configuration for battery and 220V transformer:
 Original cable (battery inside the solenoid box)
 Configuration pour la batterie et le transformateur 220 V :
 Câble original (la batterie est dans le boîtier de l'électrovanne)
 Konfiguration für Batterie und 220V - Transformator:
 Original-Kabel (Batterie in der Relais-Dose)

X-CHANGE

ELECTRONIC



N° 63



Batteria per rubinetti elettronici
 Battery for electronic taps
 Pile pour robinets électroniques
 Batterie für elektronische Wasserhähne

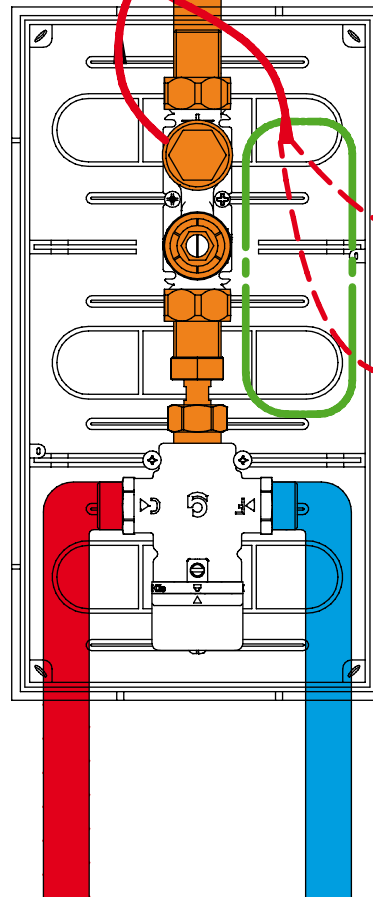
A)



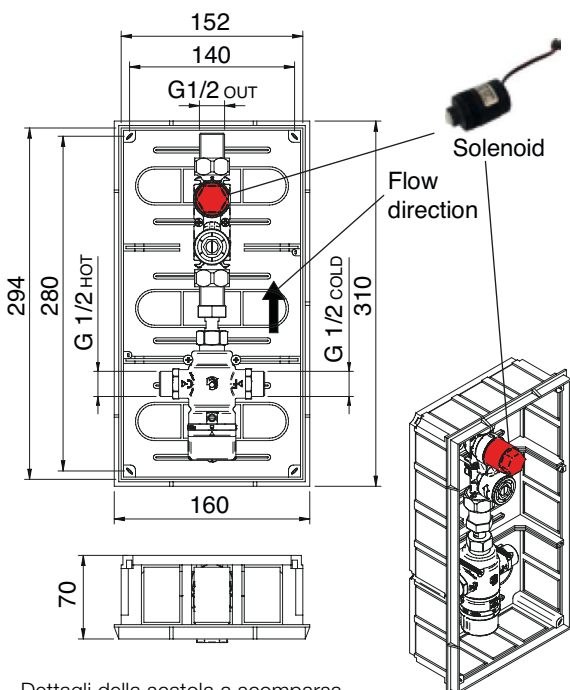
B)



Trasformatore per rubinetti elettronici
 Transformer for electronic taps
 Transformateur pour robinets électroniques
 Transformator für elektronische Wasserhähne



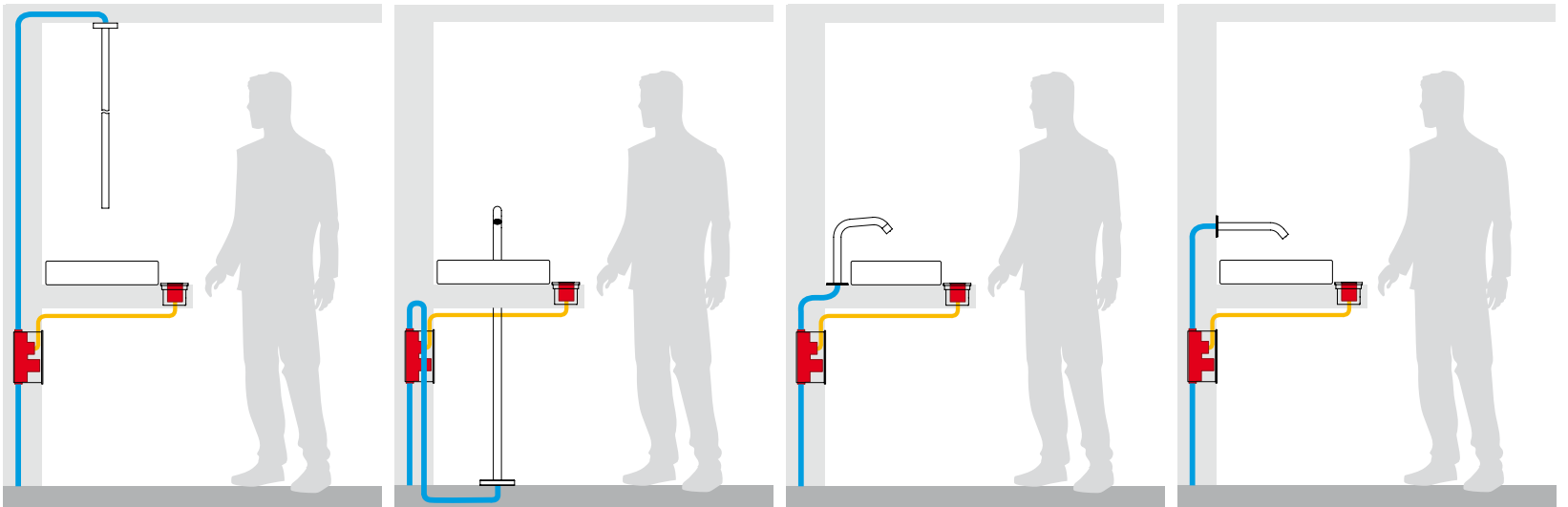
Scatola a scomparsa con elettrovalvola / batteria / snodo a T con termostatico
 Concealed Box with solenoid valve / battery / T-Joint with thermostatic
 Boîtier caché avec électrovanne / batterie / Jonction en T avec thermostatique
 Verdeckte Dose mit Magnetventil / Batterie / T-förmiges Thermostat



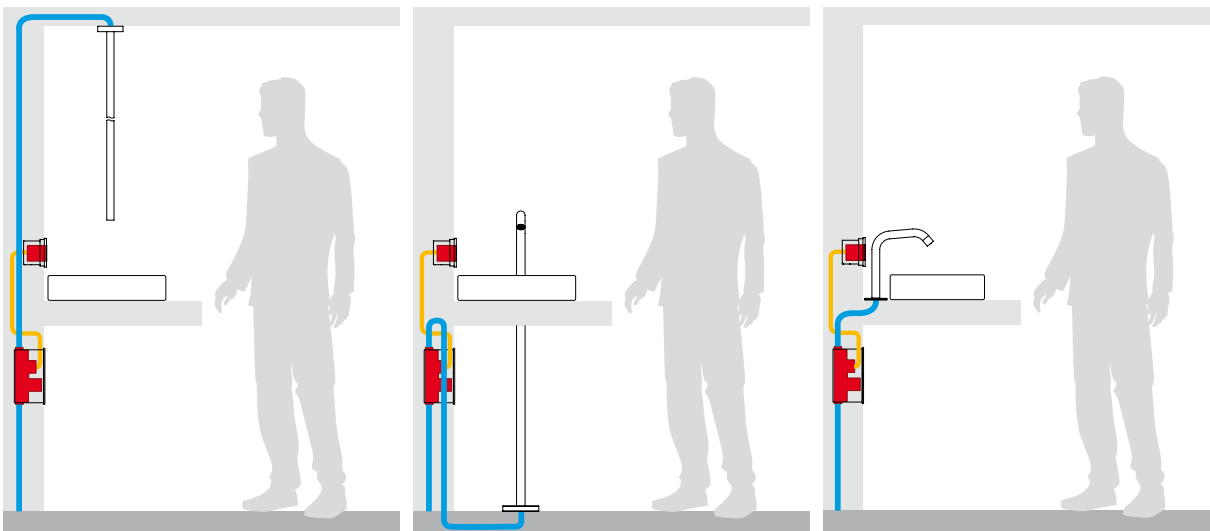
Dettagli della scatola a scomparsa
 Concealed Box details
 Détails du boîtier caché
 Details der verdeckten Dose

Electronic washbasin tap

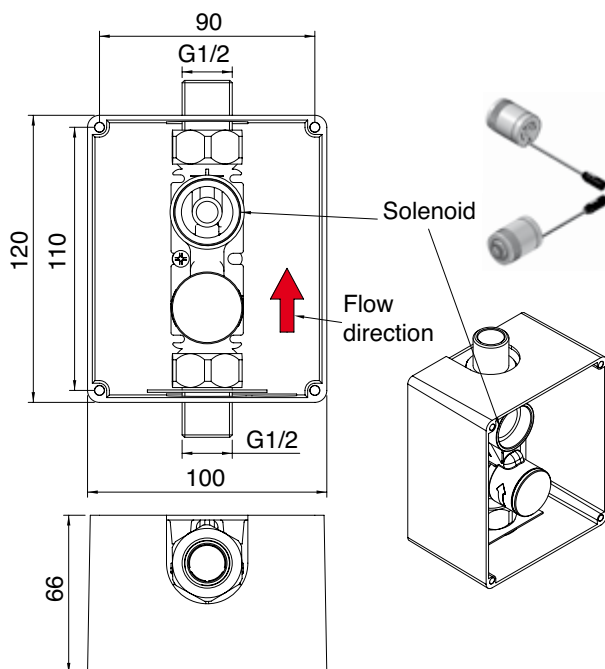
Sensore a infrarossi da piano
Counter top infrared sensor
Détecteur infrarouge sur gorge
Waschtisch Infrarot Sensorik



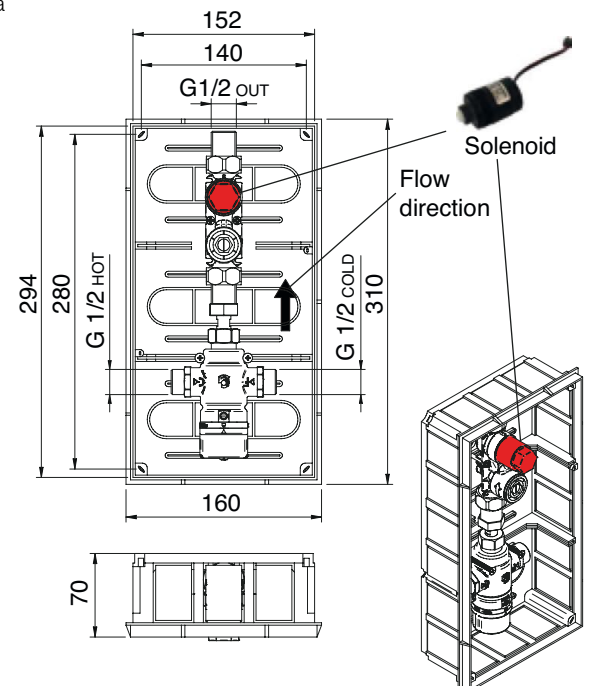
Sensore a infrarossi da muro
Wall mounted infrared sensor
Capteur à infrarouge mural
UP Infrarot Sensorik



Dettagli della scatola a scomparsa
Concealed Box details
Détails du boîtier caché
Details der verdeckten Dose



● STANDARD P_580



● THERMOSTATIC P_581

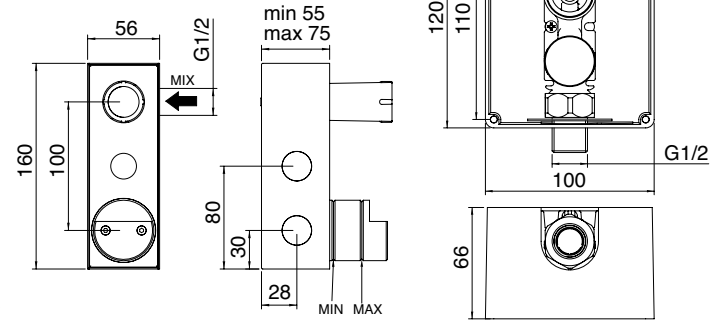
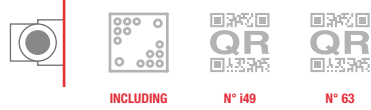
Electronic washbasin tap - Concealed bodies

ZZ RWIT 1395 ZZ 01 536,00

Rubinetto elettronico con fotocellula per lavabo - Parti incasso
 Electronic washbasin mixer - Concealed body
 Robinet lavabo avec commande par cellule électronique - Corps à encastrer
 Elektronischer Waschtischmischer - Unterputzteil



● STANDARD
 STANDARD
 STANDARD
 STANDARD

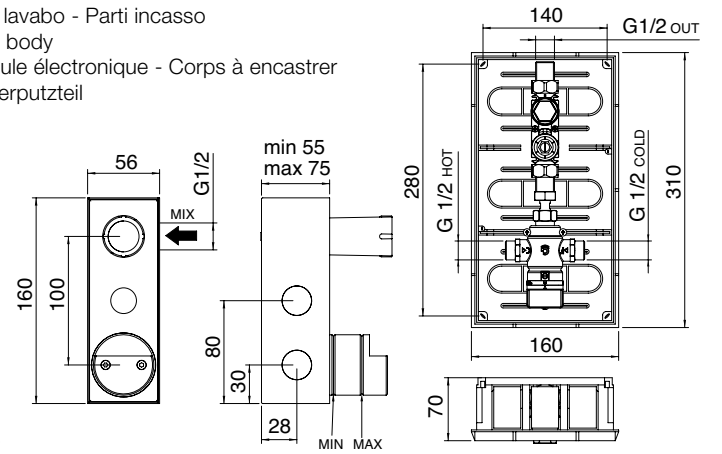
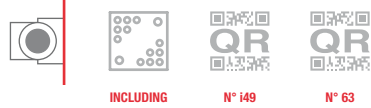


ZZ RWIT 1395 ZZ MX 763,00

Rubinetto elettronico con fotocellula per lavabo - Parti incasso
 Electronic washbasin mixer - Concealed body
 Robinet lavabo avec commande par cellule électronique - Corps à encastrer
 Elektronischer Waschtischmischer - Unterputzteil



● TERMOSTATICO
 THERMOSTATIC
 THERMOSTATIQUE
 THERMOSTATISCH

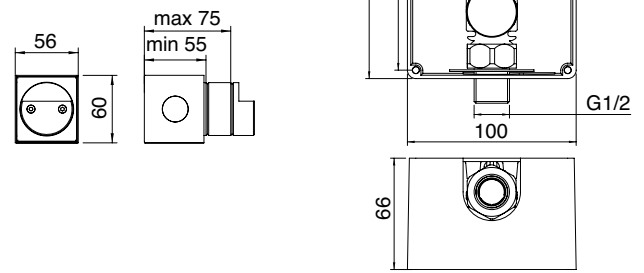
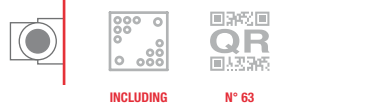


ZZ RWIT 6B95 ZZ 01 500,00

Rubinetto elettronico con fotocellula per lavabo - Parti incasso
 Electronic washbasin mixer - Concealed body
 Robinet lavabo avec commande par cellule électronique - Corps à encastrer
 Elektronischer Waschtischmischer - Unterputzteil



● STANDARD
 STANDARD
 STANDARD
 STANDARD

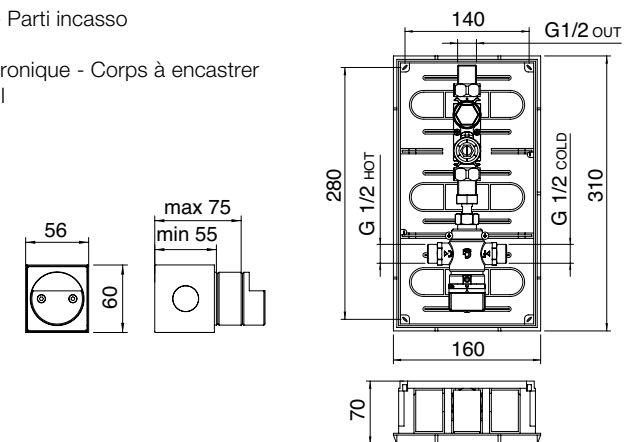
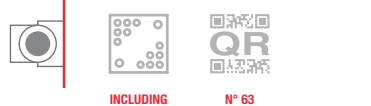


ZZ RWIT 6B95 ZZ MX 720,00

Rubinetto elettronico con fotocellula per lavabo - Parti incasso
 Electronic washbasin mixer - Concealed body
 Robinet lavabo avec commande par cellule électronique - Corps à encastrer
 Elektronischer Waschtischmischer - Unterputzteil



● TERMOSTATICO
 THERMOSTATIC
 THERMOSTATIQUE
 THERMOSTATISCH



Electronic washbasin tap - Spare parts



ZZ IT RTEL 026 ZZ 02 134,00

Corpo incasso con sede elettrovalvola
 Concealed body with solenoid valve site
 Corps à encastrer avec siège pour électrovanne
 UP-Teil mit Sitz für Magnetventil

STANDARD
STANDARD
STANDARD
STANDARD



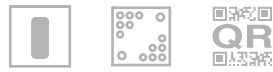
INCLUDING N° 63



ZZ RWIT 2895 ZZ 05 362,00

Corpo incasso con sede elettrovalvola
 Concealed body with solenoid valve site
 Corps à encastrer avec siège pour électrovanne
 UP-Teil mit Sitz für Magnetventil

TERMOSTATICO
THERMOSTATIC
THERMOSTATIQUE
THERMOSTATISCH



INCLUDING N° 63



ZZ RWIT 2895 ZZ 10 259,00

Ricambio Art.:
 Spare part Art.:
 Pièces de rechange Art.:
 Ersatz Art.:

RWIT2295__10 / RWIT2295__20 / RWIT6B95__02 / RWIT6B96__02



ZZ RWIT 2895 ZZ 20 330,00

Ricambio Art.:
 Spare part Art.:
 Pièces de rechange Art.:
 Ersatz Art.:

RWIT2295__EL / RWIT2295__40 / RWIT6B95__EL / RWIT6B96__EL



Electronic washbasin tap - Spare parts



ZZ IT RTEL 024 ZZ 310,00

Ricambio Art.:
Spare part Art.:
Pièces de rechange Art.:
Ersatz Art.:

IT 2215 __ ZZ ZZ / IT 22A1 __ ZZ ZZ



ZZ IT RTEL 027 ZZ 328,00

Ricambio Art.:
Spare part Art.:
Pièces de rechange Art.:
Ersatz Art.:

IT 2215 __ ZZ EL / IT 22A1 __ ZZ EL



ZZ IT RTEL 026 ZZ 10 92,00

Trasformatore per rubinetti elettronici
Transformer for electronic taps
Transformateur pour robinets électroniques
Transformator für elektronische Wasserhähne



ZZ IT RTEL 027 ZZ 01 159,00

Centralina di miscelazione
Electronic mixer control unit
Centrale électronique de mélange
Elektronischen Mischereinheit



Electronic washbasin tap - Spare parts



ZZ IT RTEL 026 ZZ 04 21,00

Cavo di prolunga per centralina elettronica 1,2 m
 Extension cable for electronic control unit 1,2 m
 Câble de rallonge pour boîtier de commande 1,2 m
 Verlängerungskabel für elektronische Steuereinheit 1,2 m



ZZ IT RTEL 027 ZZ 04 45,00

Batteria per rubinetti elettronici
 Battery for electronic taps
 Pile pour robinets électroniques
 Batterie für elektronische Wasserhähne



ZZ IT RTEL 026 ZZ 01 102,00

Fotocellula per centralina di miscelazione
 Electronic sensor for control unit
 Cellule électronique pour centrale de mélange
 Fotozelle für elektronischen Mischereinheit



ZZ IT RTEL 027 ZZ 03 106,00

Fotocellula articoli da piano
 Electronic sensor for standing items
 Cellule électronique pour articles à poser
 Fotozelle



ZZ IT RTEL 026 ZZ 03 91,00

Elettrovalvola selenoide
 Solenoid valve
 Électrovanne (solénoïde)
 Magnet ventil



ZZ IT RTEL 027 ZZ 02 63,00

Trasformatore per centralina di miscelazione con collegamento 220
 Transformer for electronic control unit with 220 connector
 Transformateur pour centrale électronique de mélange avec connecteur 220 V
 Transformator für elektrische Wasserhähne mit 220-volt Anschluss

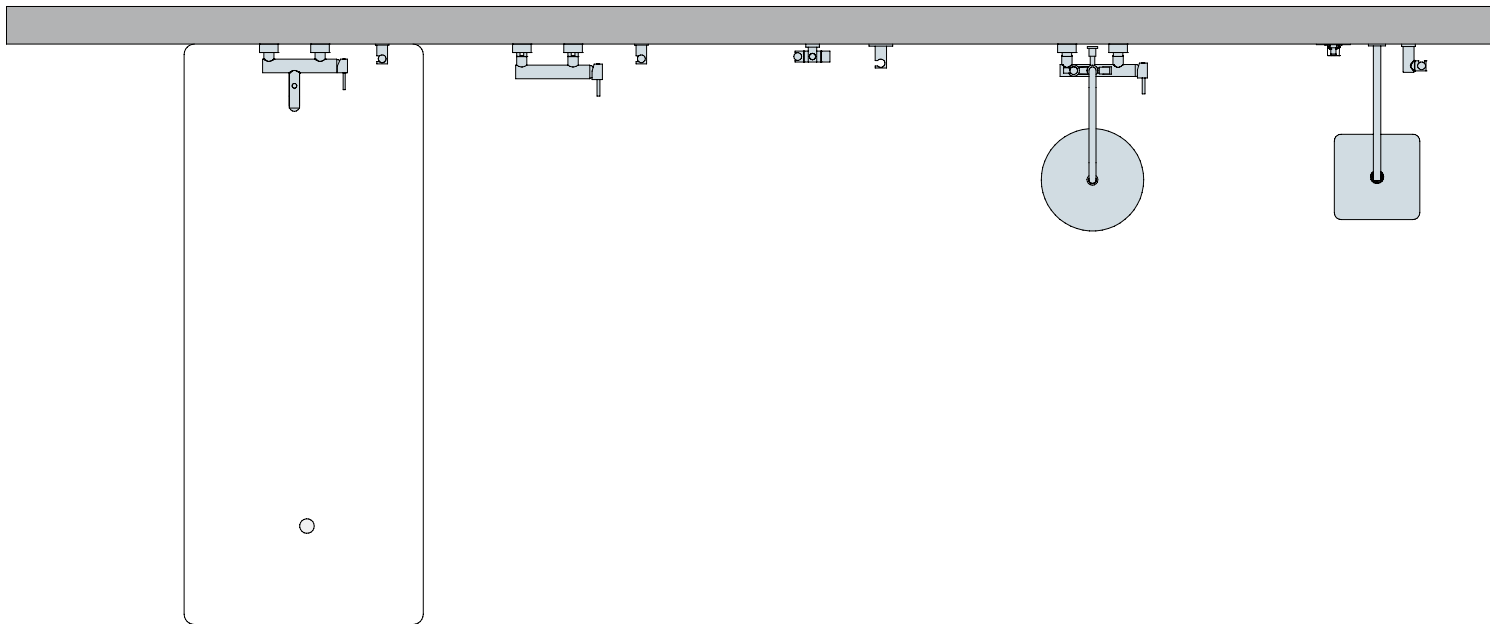
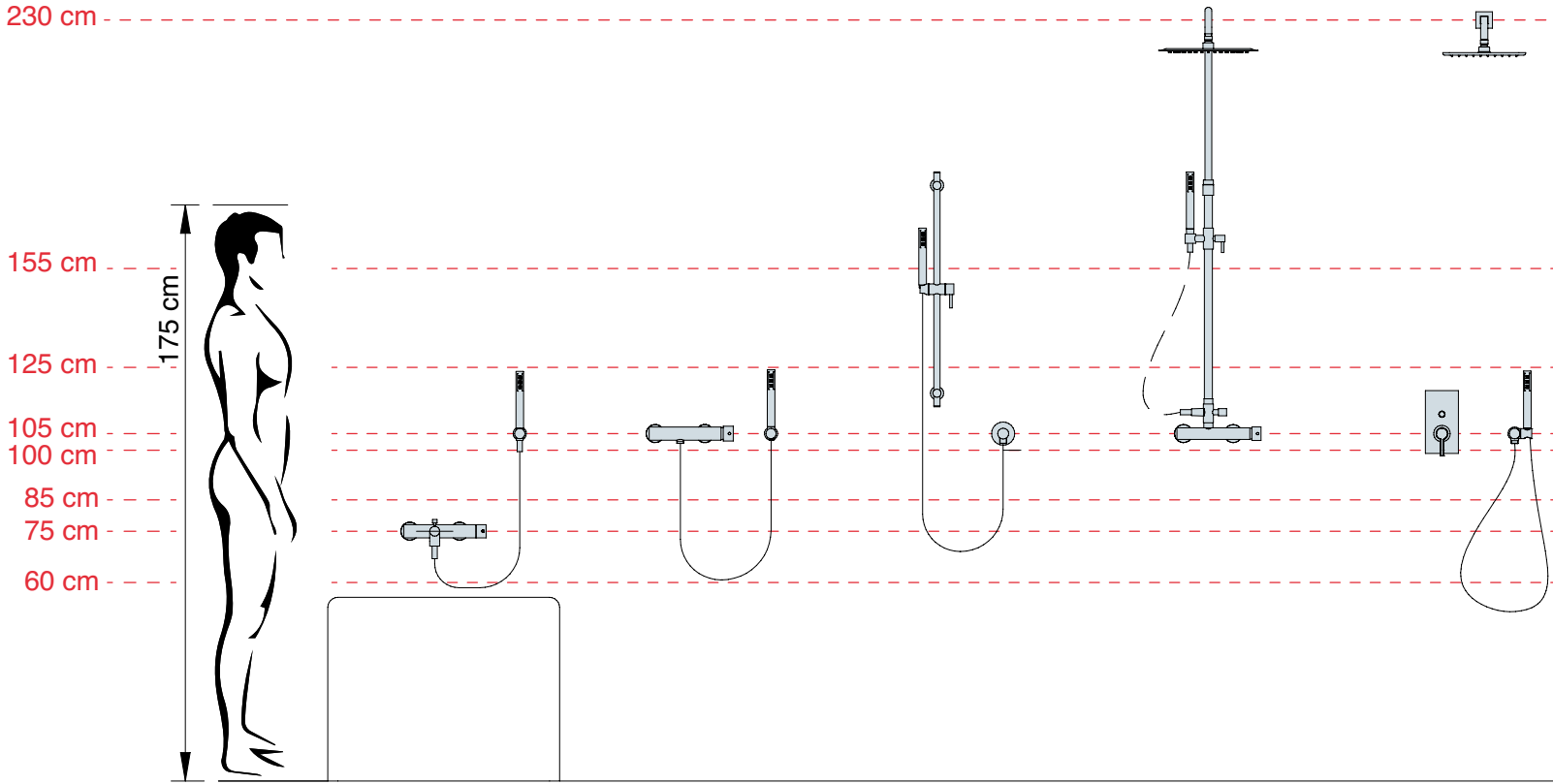


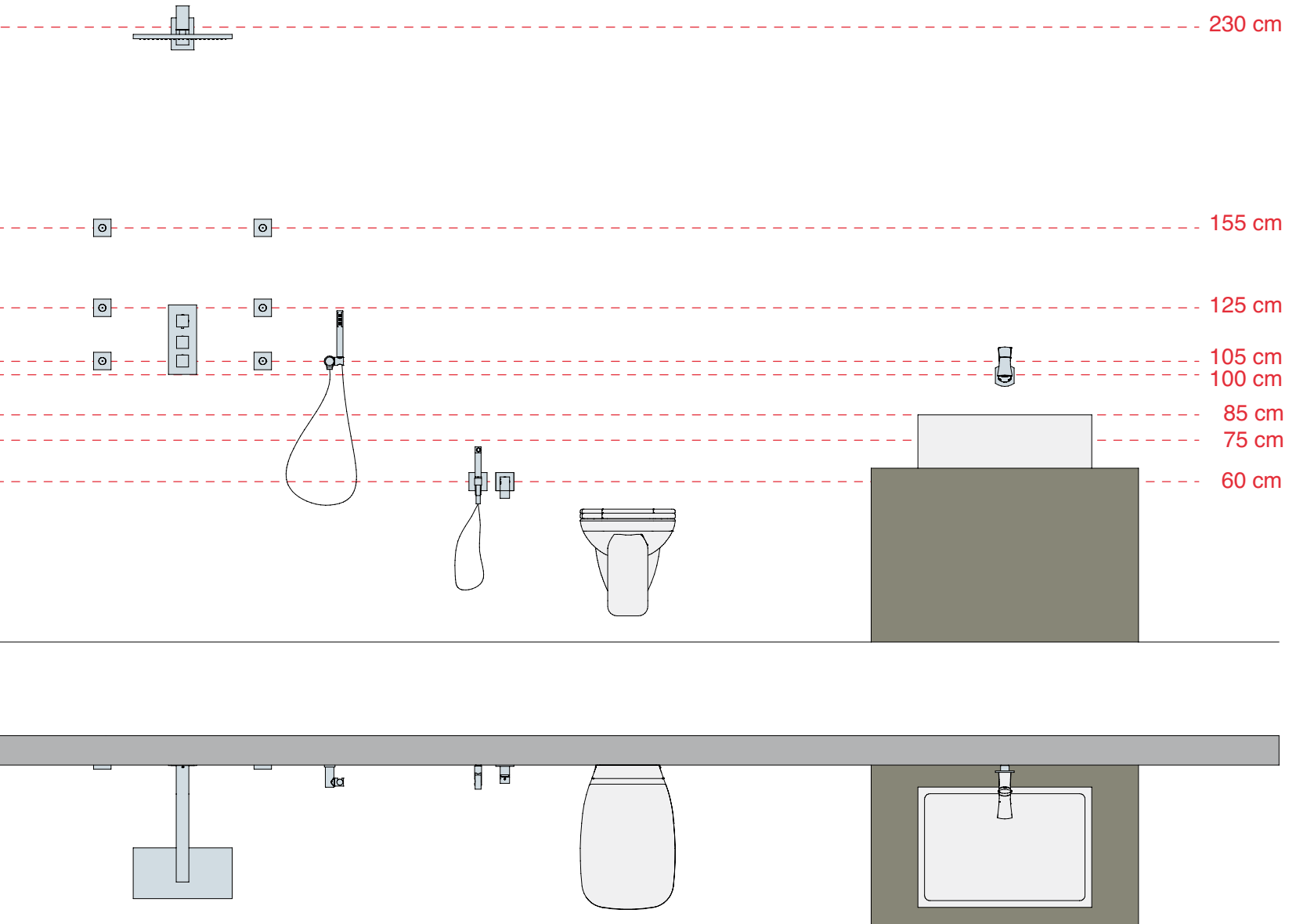
Showers & Thermostatics

design by treemme

- chrome **CC**
- matt black **NN**
- matt white **BB**
- polished nickel **NL**
- brushed nickel **NF**
- polished black chrome **HH**
- brushed black chrome **CZ**
- brushed bronze **US**
- brushed brass **UZ**
- oxidized **KK**
- gold **DD**
- brushed gold **DZ**
- brushed rose gold **SZ**

Showers & Thermostatics

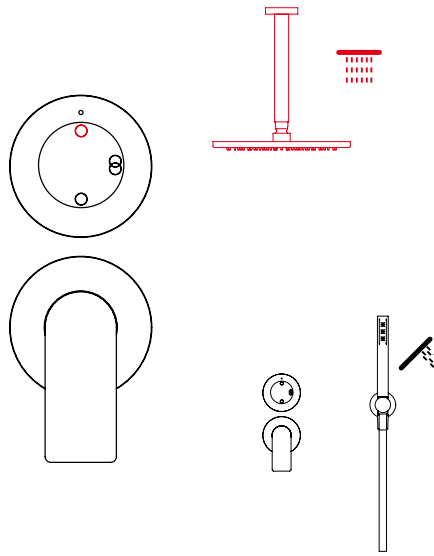




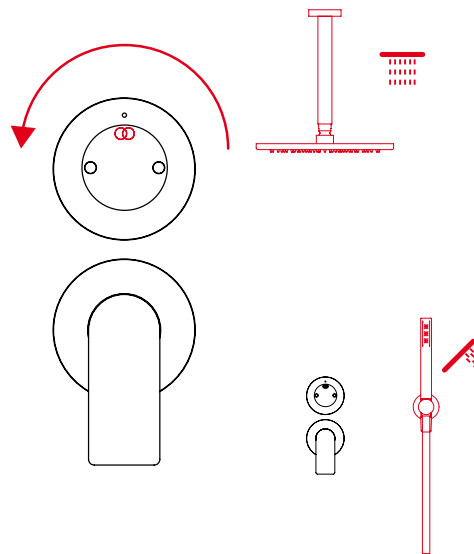
Showers & Thermostatics

Miscelatore monocomando con deviatore 2 uscite
 Concealed mixer with 2 ways diverter
 Mitigeur à encastrer avec inverseur à 2 sorties
 EHM UP mit 2 Wege Umsteller

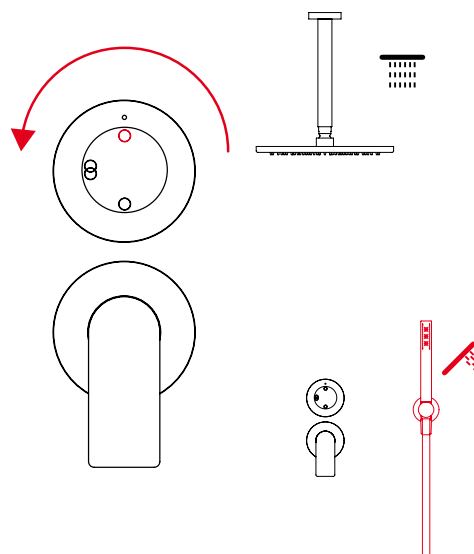
1



1/2

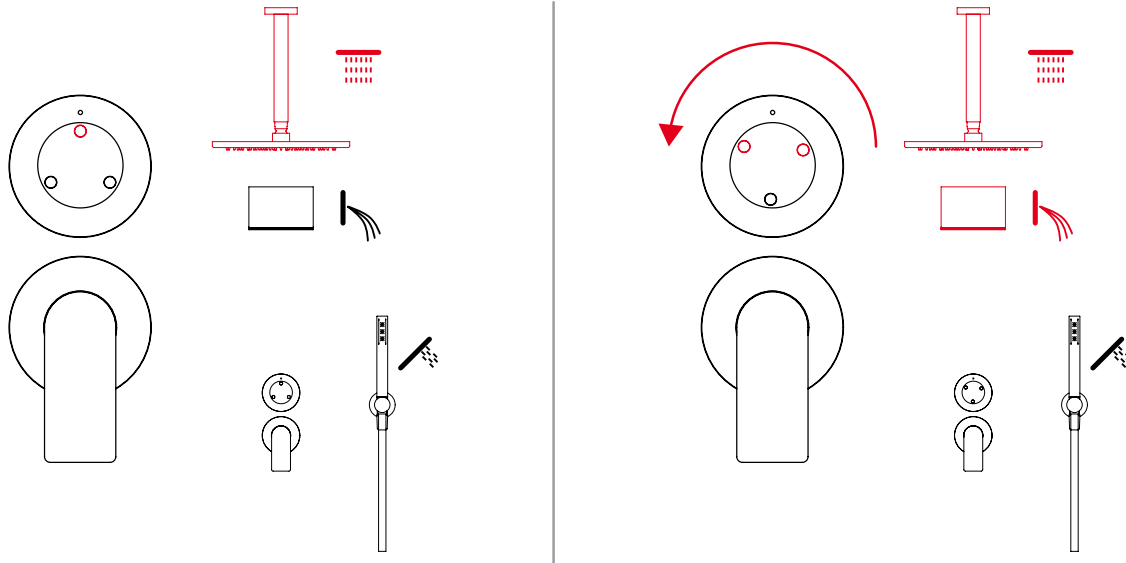


2

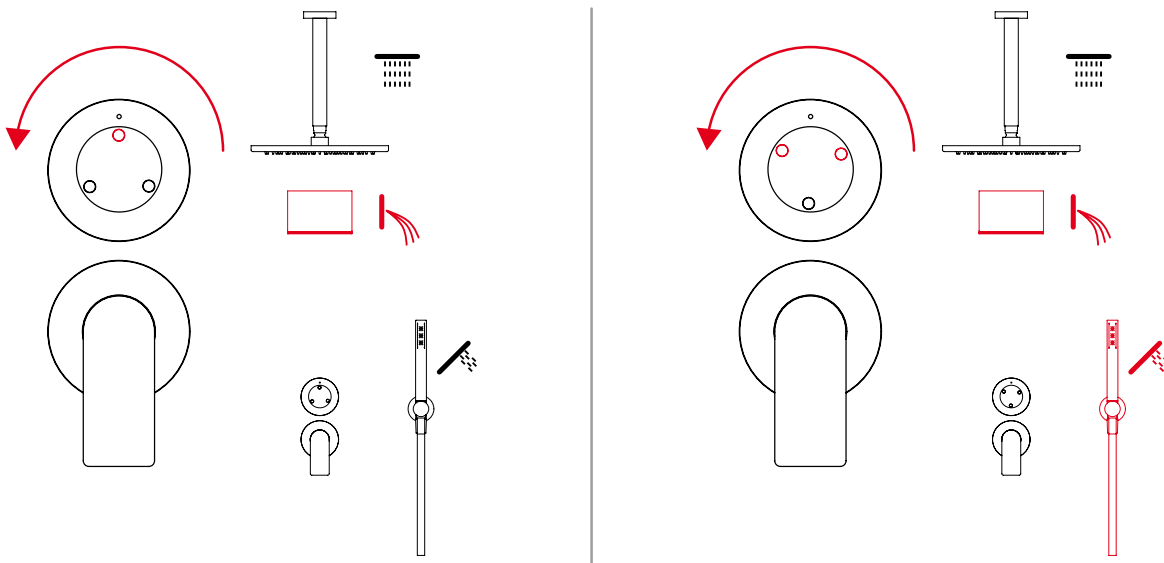


Miscelatore monocomando con deviatore 3 uscite
 Concealed mixer with 3 ways diverter
 Mitigeur à encastrer avec inverseur à 3 sorties
 EHM UP mit 3 Wege Umsteller

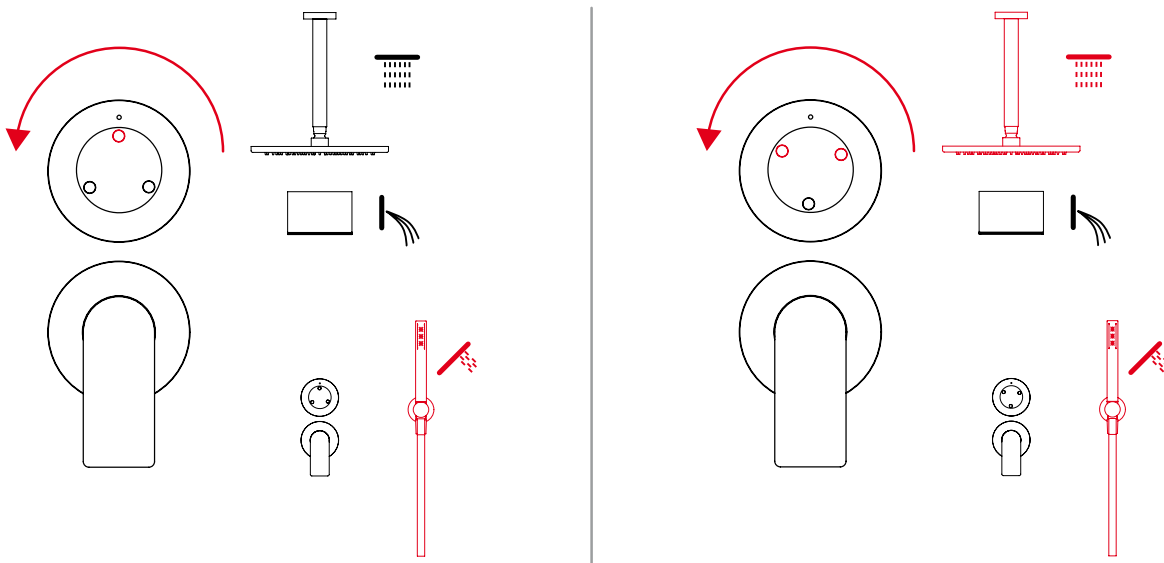
1



2



3



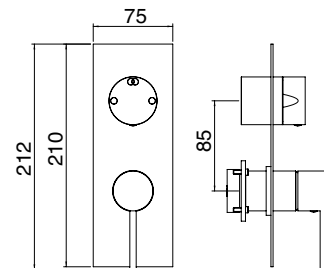
Showers & Thermostatics



CC	RWIT 6BA2 CC 01	271,00
NN	RWIT 6BA2 NN 01	385,00
BB	RWIT 6BA2 BB 01	385,00
NL	RWIT 6BA2 NL 01	380,00
NF	RWIT 6BA2 NF 01	380,00
HH	RWIT 6BA2 HH 01	466,00
CZ	RWIT 6BA2 CZ 01	466,00
US	RWIT 6BA2 US 01	466,00
UZ	RWIT 6BA2 UZ 01	466,00
KK	RWIT 6BA2 KK 01	466,00
DD	RWIT 6BA2 DD 01	599,00
DZ	RWIT 6BA2 DZ 01	599,00
SZ	RWIT 6BA2 SZ 01	599,00

RWIT 22A2 ZZ 01 237,00

+ PARTI INCASSO - CONCEALED BODY
CORPS À ENCASTRER - UNTERPUTZTEIL



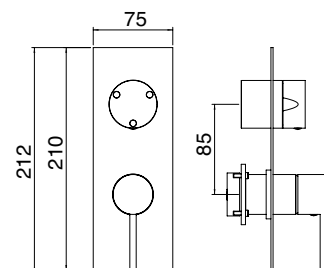
Miscelatore monocomando con deviatore 2 uscite
Concealed mixer with 2 ways diverter
Mitigeur à encastrer avec inverseur à 2 sorties
EHM UP mit 2 Wege Umsteller



CC	RWIT 6BA3 CC 01	315,00
NN	RWIT 6BA3 NN 01	446,00
BB	RWIT 6BA3 BB 01	446,00
NL	RWIT 6BA3 NL 01	440,00
NF	RWIT 6BA3 NF 01	440,00
HH	RWIT 6BA3 HH 01	541,00
CZ	RWIT 6BA3 CZ 01	541,00
US	RWIT 6BA3 US 01	541,00
UZ	RWIT 6BA3 UZ 01	541,00
KK	RWIT 6BA3 KK 01	541,00
DD	RWIT 6BA3 DD 01	695,00
DZ	RWIT 6BA3 DZ 01	695,00
SZ	RWIT 6BA3 SZ 01	695,00

RWIT 22A2 ZZ 01 237,00

+ PARTI INCASSO - CONCEALED BODY
CORPS À ENCASTRER - UNTERPUTZTEIL



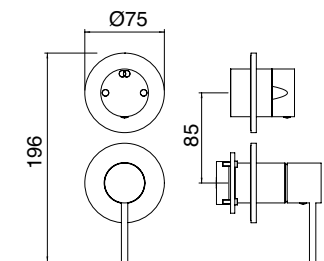
Miscelatore monocomando con deviatore 3 uscite
Concealed mixer with 3 ways diverter
Mitigeur à encastrer avec inverseur à 3 sorties
EHM UP mit 3 Wege Umsteller



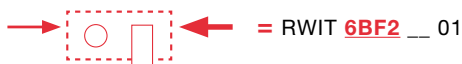
CC	RWIT 6BC2 CC 01	305,00
NN	RWIT 6BC2 NN 01	433,00
BB	RWIT 6BC2 BB 01	433,00
NL	RWIT 6BC2 NL 01	427,00
NF	RWIT 6BC2 NF 01	427,00
HH	RWIT 6BC2 HH 01	525,00
CZ	RWIT 6BC2 CZ 01	525,00
US	RWIT 6BC2 US 01	525,00
UZ	RWIT 6BC2 UZ 01	525,00
KK	RWIT 6BC2 KK 01	525,00
DD	RWIT 6BC2 DD 01	674,00
DZ	RWIT 6BC2 DZ 01	674,00
SZ	RWIT 6BC2 SZ 01	674,00

RWIT 22A2 ZZ 01 237,00

+ PARTI INCASSO - CONCEALED BODY
CORPS À ENCASTRER - UNTERPUTZTEIL



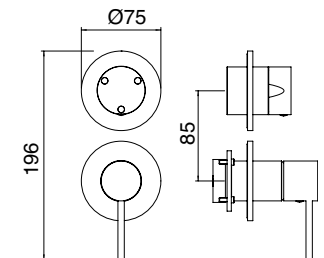
Miscelatore monocomando con deviatore 2 uscite
Concealed mixer with 2 ways diverter
Mitigeur à encastrer avec inverseur à 2 sorties
EHM UP mit 2 Wege Umsteller



CC	RWIT 6BC3 CC 01	348,00
NN	RWIT 6BC3 NN 01	494,00
BB	RWIT 6BC3 BB 01	494,00
NL	RWIT 6BC3 NL 01	487,00
NF	RWIT 6BC3 NF 01	487,00
HH	RWIT 6BC3 HH 01	598,00
CZ	RWIT 6BC3 CZ 01	598,00
US	RWIT 6BC3 US 01	598,00
UZ	RWIT 6BC3 UZ 01	598,00
KK	RWIT 6BC3 KK 01	598,00
DD	RWIT 6BC3 DD 01	768,00
DZ	RWIT 6BC3 DZ 01	768,00
SZ	RWIT 6BC3 SZ 01	768,00

RWIT 22A2 ZZ 01 237,00

+ PARTI INCASSO - CONCEALED BODY
CORPS À ENCASTRER - UNTERPUTZTEIL



Miscelatore monocomando con deviatore 3 uscite
Concealed mixer with 3 ways diverter
Mitigeur à encastrer avec inverseur à 3 sorties
EHM UP mit 3 Wege Umsteller





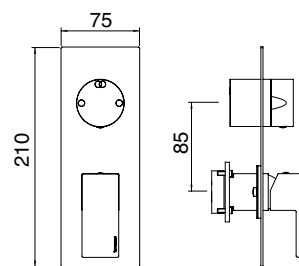
Showers & Thermostatics



CC	RWIT 4BA2 CC 01	340,00
NN	RWIT 4BA2 NN 01	484,00
BB	RWIT 4BA2 BB 01	484,00
NL	RWIT 4BA2 NL 01	476,00
NF	RWIT 4BA2 NF 01	476,00
HH	RWIT 4BA2 HH 01	586,00
CZ	RWIT 4BA2 CZ 01	586,00
UZ	RWIT 4BA2 UZ 01	586,00
DD	RWIT 4BA2 DD 01	752,00
DZ	RWIT 4BA2 DZ 01	752,00
SZ	RWIT 4BA2 SZ 01	752,00

RWIT 22A2 ZZ 01 237,00

+ PARTI INCASSO - CONCEALED BODY
CORPS À ENCASTRER - UNTERPUTZTEIL



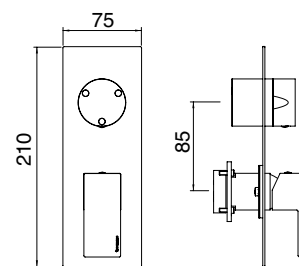
Miscelatore monocomando con deviatore 2 uscite
Concealed mixer with 2 ways diverter
Mitigeur à encastrer avec inverseur à 2 sorties
EHM UP mit 2 Wege Umsteller



CC	RWIT 4BA3 CC 01	361,00
NN	RWIT 4BA3 NN 01	512,00
BB	RWIT 4BA3 BB 01	512,00
NL	RWIT 4BA3 NL 01	505,00
NF	RWIT 4BA3 NF 01	505,00
HH	RWIT 4BA3 HH 01	621,00
CZ	RWIT 4BA3 CZ 01	621,00
UZ	RWIT 4BA3 UZ 01	621,00
DD	RWIT 4BA3 DD 01	798,00
DZ	RWIT 4BA3 DZ 01	798,00
SZ	RWIT 4BA3 SZ 01	798,00

RWIT 22A2 ZZ 01 237,00

+ PARTI INCASSO - CONCEALED BODY
CORPS À ENCASTRER - UNTERPUTZTEIL



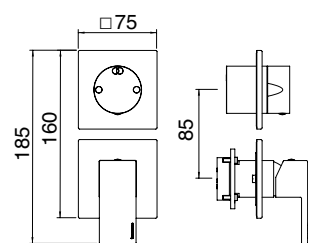
Miscelatore monocomando con deviatore 3 uscite
Concealed mixer with 3 ways diverter
Mitigeur à encastrer avec inverseur à 3 sorties
EHM UP mit 3 Wege Umsteller



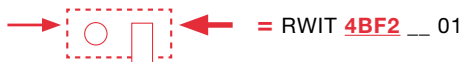
CC	RWIT 4BC2 CC 01	366,00
NN	RWIT 4BC2 NN 01	521,00
BB	RWIT 4BC2 BB 01	521,00
NL	RWIT 4BC2 NL 01	512,00
NF	RWIT 4BC2 NF 01	512,00
HH	RWIT 4BC2 HH 01	630,00
CZ	RWIT 4BC2 CZ 01	630,00
UZ	RWIT 4BC2 UZ 01	630,00
DD	RWIT 4BC2 DD 01	809,00
DZ	RWIT 4BC2 DZ 01	809,00
SZ	RWIT 4BC2 SZ 01	809,00

RWIT 22A2 ZZ 01 237,00

+ PARTI INCASSO - CONCEALED BODY
CORPS À ENCASTRER - UNTERPUTZTEIL



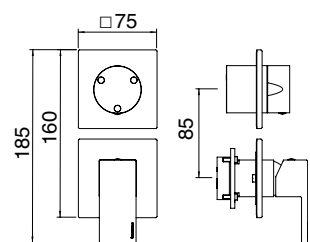
Miscelatore monocomando con deviatore 2 uscite
Concealed mixer with 2 ways diverter
Mitigeur à encastrer avec inverseur à 2 sorties
EHM UP mit 2 Wege Umsteller



CC	RWIT 4BC3 CC 01	387,00
NN	RWIT 4BC3 NN 01	549,00
BB	RWIT 4BC3 BB 01	549,00
NL	RWIT 4BC3 NL 01	541,00
NF	RWIT 4BC3 NF 01	541,00
HH	RWIT 4BC3 HH 01	665,00
CZ	RWIT 4BC3 CZ 01	665,00
UZ	RWIT 4BC3 UZ 01	665,00
DD	RWIT 4BC3 DD 01	854,00
DZ	RWIT 4BC3 DZ 01	854,00
SZ	RWIT 4BC3 SZ 01	854,00

RWIT 22A2 ZZ 01 237,00

+ PARTI INCASSO - CONCEALED BODY
CORPS À ENCASTRER - UNTERPUTZTEIL



Miscelatore monocomando con deviatore 3 uscite
Concealed mixer with 3 ways diverter
Mitigeur à encastrer avec inverseur à 3 sorties
EHM UP mit 3 Wege Umsteller



Showers & Thermostatics

X-CHANGE

ELECTRONIC

SHOWERS & THERMOSTATICS



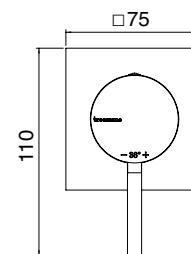
CC	RWIT 7582 CC 04	176,00
NN	RWIT 7582 NN 04	234,00
BB	RWIT 7582 BB 04	234,00
NL	RWIT 7582 NL 04	228,00
NF	RWIT 7582 NF 04	228,00
HH	RWIT 7582 HH 04	270,00
CZ	RWIT 7582 CZ 04	270,00
US	RWIT 7582 US 04	270,00
UZ	RWIT 7582 UZ 04	270,00
KK	RWIT 7582 KK 04	270,00
DD	RWIT 7582 DD 04	365,00
DZ	RWIT 7582 DZ 04	365,00
SZ	RWIT 7582 SZ 04	365,00

Termostatico incasso COAX
 Concealed thermostatic COAX
 Thermostatique à encastrer COAX
 UP-Thermostat COAX

RWIT 7582 CC 02	142,00
RWIT 7582 NN 02	189,00
RWIT 7582 BB 02	189,00
RWIT 7582 NL 02	185,00
RWIT 7582 NF 02	185,00
RWIT 7582 HH 02	219,00
+ RWIT 7582 CZ 02	219,00
RWIT 7582 US 02	219,00
RWIT 7582 UZ 02	219,00
RWIT 7582 KK 02	219,00
RWIT 7582 DD 02	295,00
RWIT 7582 DZ 02	295,00
RWIT 7582 SZ 02	295,00



PARTI INCASSO - CONCEALED BODY
 CORPS À ENCASTRER - UNTERPUTZTEIL



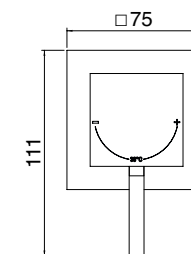
CC	RWIT 7682 CC 02	203,00
NN	RWIT 7682 NN 02	269,00
BB	RWIT 7682 BB 02	269,00
NL	RWIT 7682 NL 02	264,00
NF	RWIT 7682 NF 02	264,00
HH	RWIT 7682 HH 02	312,00
CZ	RWIT 7682 CZ 02	312,00
US	RWIT 7682 US 02	312,00
UZ	RWIT 7682 UZ 02	312,00
KK	RWIT 7682 KK 02	312,00
DD	RWIT 7682 DD 02	421,00
DZ	RWIT 7682 DZ 02	421,00
SZ	RWIT 7682 SZ 02	421,00

Termostatico incasso COAX
 Concealed thermostatic COAX
 Thermostatique à encastrer COAX
 UP-Thermostat COAX

RWIT 7582 CC 02	142,00
RWIT 7582 NN 02	189,00
RWIT 7582 BB 02	189,00
RWIT 7582 NL 02	185,00
RWIT 7582 NF 02	185,00
RWIT 7582 HH 02	219,00
+ RWIT 7582 CZ 02	219,00
RWIT 7582 US 02	219,00
RWIT 7582 UZ 02	219,00
RWIT 7582 KK 02	219,00
RWIT 7582 DD 02	295,00
RWIT 7582 DZ 02	295,00
RWIT 7582 SZ 02	295,00



PARTI INCASSO - CONCEALED BODY
 CORPS À ENCASTRER - UNTERPUTZTEIL



X-CHANGE

ELECTRONIC

SHOWERS &
THERMOSTATICS



IT 6586 NN ZZ VS + IT 6529 NN ZZ ZZ + IT RTGA 123 NN + RWIT 8A46 NN 03

CONFIGURAZIONI LOGO MANIGLIE - HANDLES LOGOS CONFIGURATION CONFIGURATION LOGOS MANETTES - GRIFF LOGO KONFIGURATION

Il termostatico viene consegnato di serie con maniglie senza logo.
In caso di richieste di maniglie con logo si prega di specificarlo nel modo seguente:
Esempio: Termostatico a 3 vie separate con soffione doccia, getti laterali e cascata
ordinare le maniglie C (soffione doccia), B (getti laterali), F (cascata)

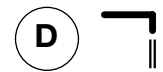
The thermostatic valve is delivered as standard with the handles without logo.
Should you need handles with logo please specify this information as follows:
Example: 3-outlet thermostatic valve with shower head, side jets and rain spray order handles c (shower head), b (body sprays), f (rain spray)

Le thermostat est attribué en série avec les manettes sans logo.
Si vous demandez des manettes avec logo veuillez le préciser de la façon suivante:
Exemple: thermostat à 3 sorties séparées avec pomme de douche, jets latéraux et cascade
commander les manettes c (pomme de douche), b (jets latéraux), f (cascade)

Der thermostat wird serienmässig mit griffen ohne firmenlogo geliefert.
Falls sie griffe mit einem logo wünschen, bitten wir sie, dies wie folgt anzugeben:
Beispiel: bei thermostat mit 3 separaten ausgängen mit duschkopf, seitenwasserstrahl und kaskade sind die griffe c (duschkopf), b (seitenwassersträhle), f (kaskade) zu bestellen



Nebulizzazione
Spray
Brumisateur
Zerstäuber



Erogazione a parete
Wall outler
Bec mural
Einlauf



Getti laterali
Body jet
Buse
Düse



Doccetta
Handshower
Douchette
Handbrause



Soffione
Headshower
Douche de tête
Regenbrause

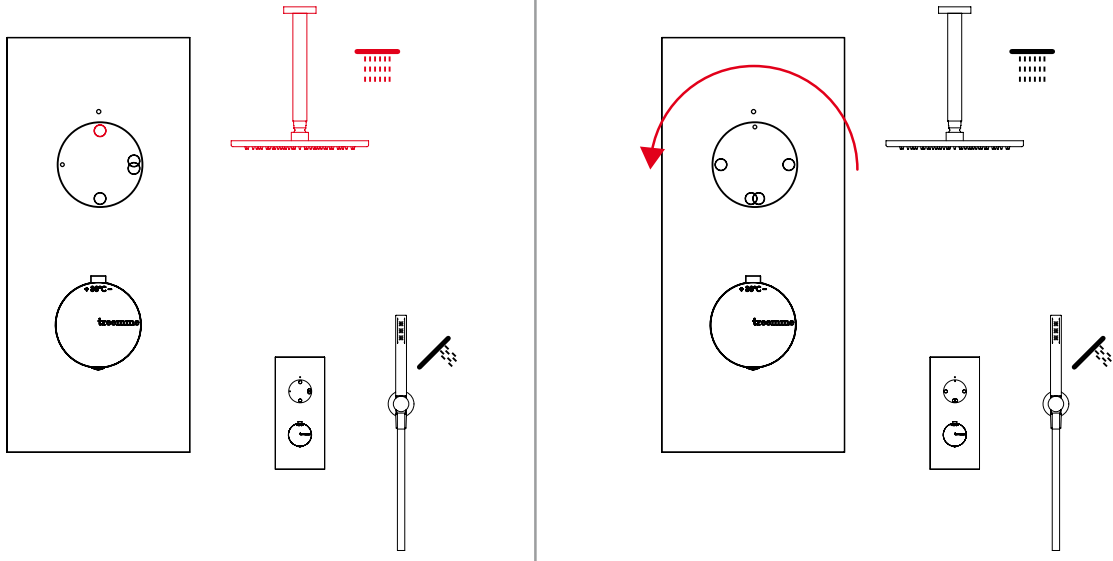


Cascata
Cascade
Cascade
Wasserfall

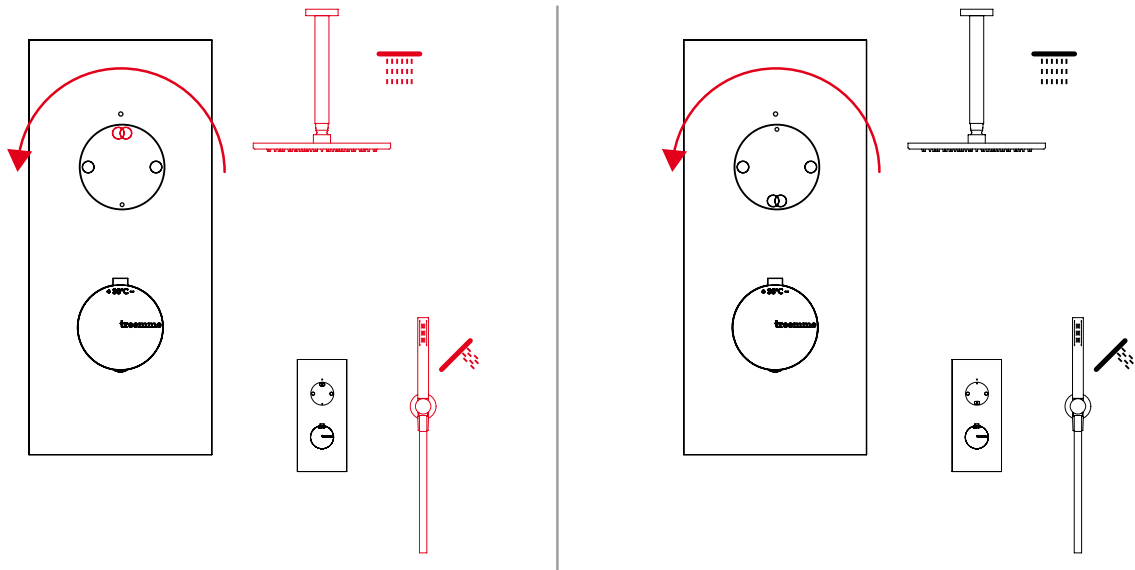
Showers & Thermostatics

Termostatico incasso con deviatore 2 uscite
 Concealed thermostatic with 2 ways diverter
 Thermostatique à encastrer avec inverseur à 2 sorties
 UP-Thermostat mit 2 Wege Umsteller

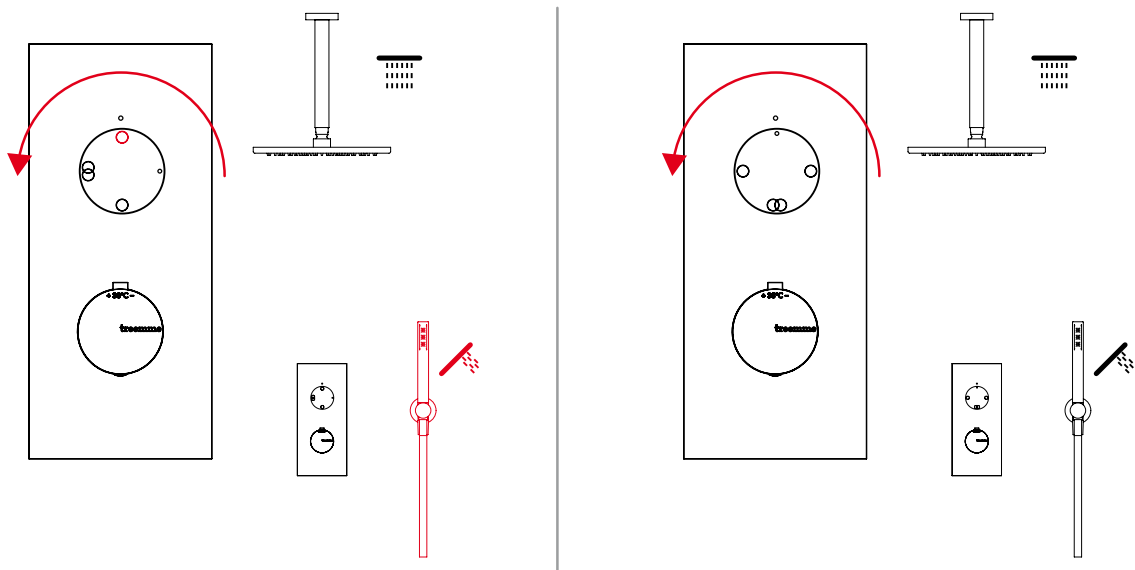
1



1/2

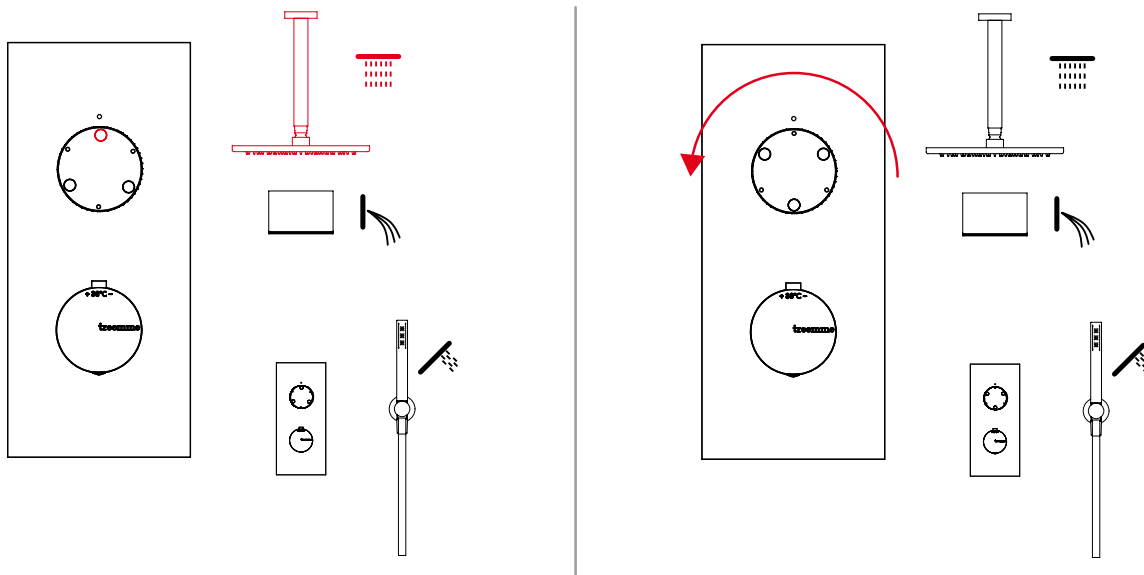


2

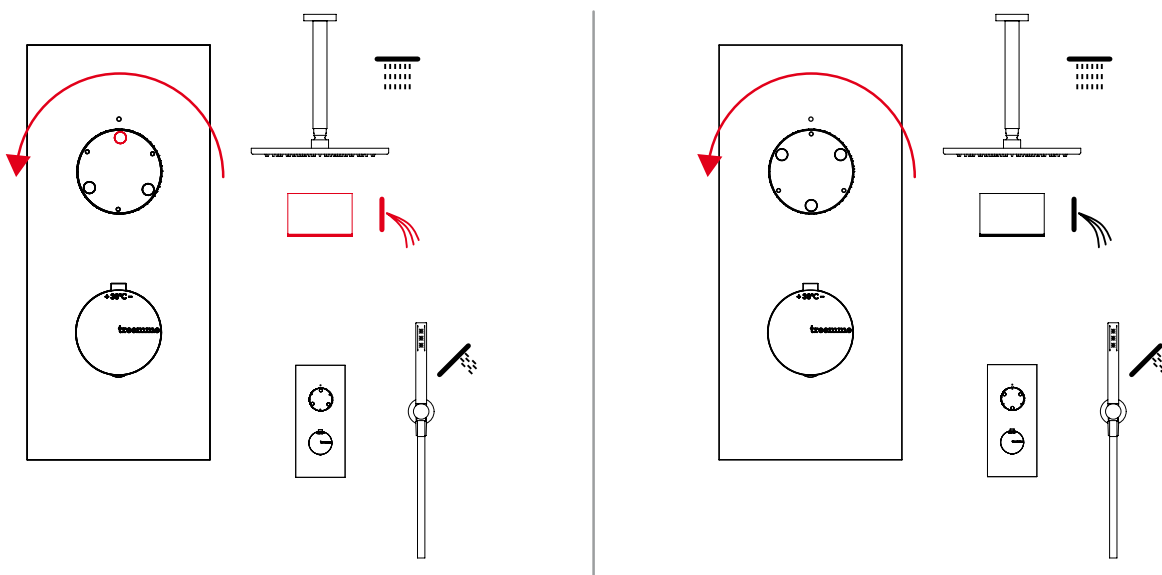


Termostatico incasso con deviatore 3 uscite
 Concealed thermostatic with 3 ways diverter
 Thermostatique à encastrer avec inverseur à 3 sorties
 UP-Thermostat mit 3 Wege Umsteller

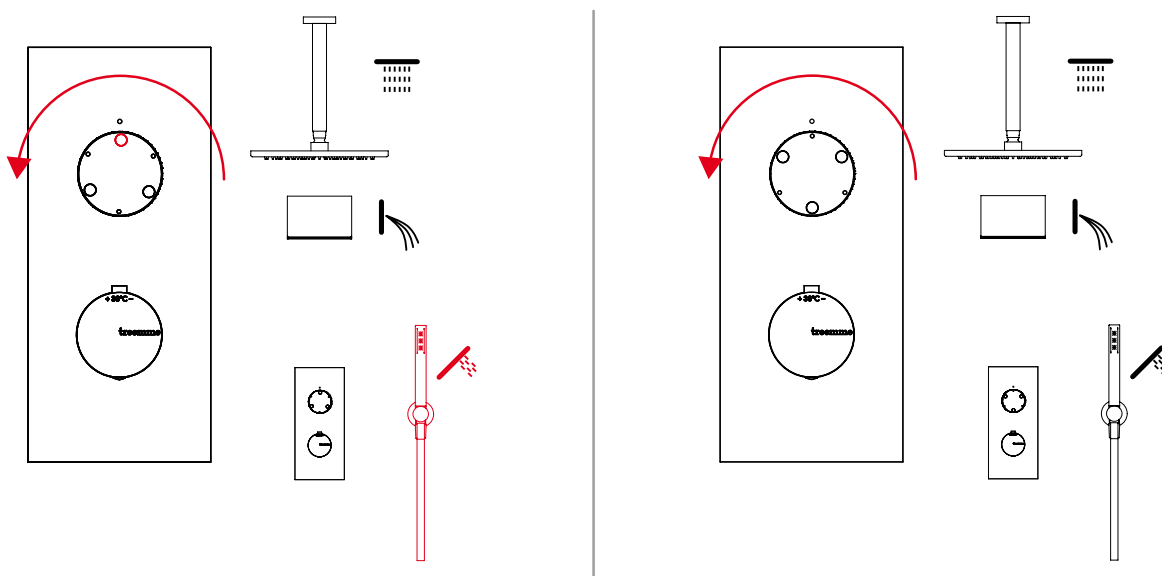
1



2



3



Showers & Thermostatics



CC	RWIT 7286 CC 80	109,00
NN	RWIT 7286 NN 80	155,00
BB	RWIT 7286 BB 80	155,00
NL	RWIT 7286 NL 80	152,00
NF	RWIT 7286 NF 80	152,00
HH	RWIT 7286 HH 80	187,00
CZ	RWIT 7286 CZ 80	187,00
US	RWIT 7286 US 80	187,00
UZ	RWIT 7286 UZ 80	187,00
KK	RWIT 7286 KK 80	187,00
DD	RWIT 7286 DD 80	240,00
DZ	RWIT 7286 DZ 80	240,00
SZ	RWIT 7286 SZ 80	240,00

Termostatico incasso
Concealed thermostatic
Thermostatique à encastrer
UP-Thermostat



ITRTVT175ZZ



RWIT7287_80



34 l/min



2 IN - 1 OUT

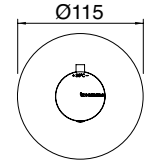


N° 13



P_807

RWIT 7286 ZZ 70 308,00
+ PARTI INCASSO - CONCEALED BODY
CORPS À ENCASTRER - UNTERPUTZTEIL



Funzione di sola regolazione temperatura
no chiusura/apertura acqua

Temperature setting only
No switch on/off water device

Régulation de la température uniquement
aucune ouverture/fermeture de l'eau

Nur Temperaturregelung,
keine Wasser auf / Wasser aus Funktion



CC	RWIT 72B6 CC 01	92,00
NN	RWIT 72B6 NN 01	131,00
BB	RWIT 72B6 BB 01	131,00
NL	RWIT 72B6 NL 01	129,00
NF	RWIT 72B6 NF 01	129,00
HH	RWIT 72B6 HH 01	159,00
CZ	RWIT 72B6 CZ 01	159,00
US	RWIT 72B6 US 01	159,00
UZ	RWIT 72B6 UZ 01	159,00
KK	RWIT 72B6 KK 01	159,00
DD	RWIT 72B6 DD 01	203,00
DZ	RWIT 72B6 DZ 01	203,00
SZ	RWIT 72B6 SZ 01	203,00

Rubinetto d'arresto 1/2"
1/2" concealed stop valve
Robinet d'arrêt 1/2"
UP-Ventil 1/2"



ITRTVT176ZZ



RWIT7287ZZ81



34 l/min

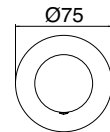


1 IN - 1 OUT



P_803

RWIT 72B6 ZZ 01 290,00
+ PARTI INCASSO - CONCEALED BODY
CORPS À ENCASTRER - UNTERPUTZTEIL



CC	RWIT 75D5 CC 10	165,00
NN	RWIT 75D5 NN 10	235,00
BB	RWIT 75D5 BB 10	235,00
NL	RWIT 75D5 NL 10	231,00
NF	RWIT 75D5 NF 10	231,00
HH	RWIT 75D5 HH 10	284,00
CZ	RWIT 75D5 CZ 10	284,00
US	RWIT 75D5 US 10	284,00
UZ	RWIT 75D5 UZ 10	284,00
KK	RWIT 75D5 KK 10	284,00
DD	RWIT 75D5 DD 10	365,00
DZ	RWIT 75D5 DZ 10	365,00
SZ	RWIT 75D5 SZ 10	365,00

Deviatore incasso 2 uscite
2 ways concealed diverter
Inverseur à encastrer à 2 sorties
2 Wege UP- Umsteller



ITRTVT189ZZ



RWIT7287ZZ81

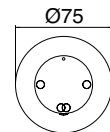


24 l/min



N° 15

RWIT 7AD5 ZZ 01 200,00
+ PARTI INCASSO - CONCEALED BODY
CORPS À ENCASTRER - UNTERPUTZTEIL



CC	RWIT 75D6 CC 10	199,00
NN	RWIT 75D6 NN 10	283,00
BB	RWIT 75D6 BB 10	283,00
NL	RWIT 75D6 NL 10	279,00
NF	RWIT 75D6 NF 10	279,00
HH	RWIT 75D6 HH 10	343,00
CZ	RWIT 75D6 CZ 10	343,00
US	RWIT 75D6 US 10	343,00
UZ	RWIT 75D6 UZ 10	343,00
KK	RWIT 75D6 KK 10	343,00
DD	RWIT 75D6 DD 10	440,00
DZ	RWIT 75D6 DZ 10	440,00
SZ	RWIT 75D6 SZ 10	440,00

Deviatore incasso 3 uscite
3 ways concealed diverter
Inverseur à encastrer à 3 sorties
3 Wege UP- Umsteller



ITRTVT190ZZ



RWIT7287ZZ81

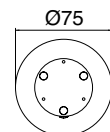


24 l/min



N° 15

RWIT 7AD5 ZZ 01 200,00
+ PARTI INCASSO - CONCEALED BODY
CORPS À ENCASTRER - UNTERPUTZTEIL



Showers & Thermostatics

X-CHANGE

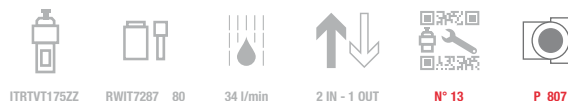
ELECTRONIC

SHOWERS & THERMOSTATICS

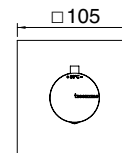


CC	RWIT 7286 CC 85	109,00
NN	RWIT 7286 NN 85	155,00
BB	RWIT 7286 BB 85	155,00
NL	RWIT 7286 NL 85	152,00
NF	RWIT 7286 NF 85	152,00
HH	RWIT 7286 HH 85	187,00
CZ	RWIT 7286 CZ 85	187,00
US	RWIT 7286 US 85	187,00
UZ	RWIT 7286 UZ 85	187,00
KK	RWIT 7286 KK 85	187,00
DD	RWIT 7286 DD 85	240,00
DZ	RWIT 7286 DZ 85	240,00
SZ	RWIT 7286 SZ 85	240,00

Termostatico incasso
Concealed thermostatic
Thermostatique à encastrer
UP-Thermostat



RWIT 7286 ZZ 70 308,00
+ PARTI INCASSO - CONCEALED BODY
CORPS À ENCASTRER - UNTERPUTZTEIL



Funzione di sola regolazione temperatura
no chiusura/apertura acqua

Temperature setting only
No switch on/off water device

Régulation de la température uniquement
aucune ouverture/fermeture de l'eau

Nur Temperaturregelung,
keine Wasser auf / Wasser aus Funktion

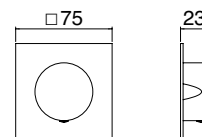


CC	RWIT 72B6 CC 05	92,00
NN	RWIT 72B6 NN 05	131,00
BB	RWIT 72B6 BB 05	131,00
NL	RWIT 72B6 NL 05	129,00
NF	RWIT 72B6 NF 05	129,00
HH	RWIT 72B6 HH 05	159,00
CZ	RWIT 72B6 CZ 05	159,00
US	RWIT 72B6 US 05	159,00
UZ	RWIT 72B6 UZ 05	159,00
KK	RWIT 72B6 KK 05	159,00
DD	RWIT 72B6 DD 05	203,00
DZ	RWIT 72B6 DZ 05	203,00
SZ	RWIT 72B6 SZ 05	203,00

Rubinetto d'arresto 1/2"
1/2" concealed stop valve
Robinet d'arrêt 1/2"
UP-Ventil 1/2"



RWIT 72B6 ZZ 01 290,00
+ PARTI INCASSO - CONCEALED BODY
CORPS À ENCASTRER - UNTERPUTZTEIL

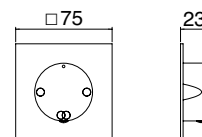


CC	RWIT 75D5 CC 15	165,00
NN	RWIT 75D5 NN 15	235,00
BB	RWIT 75D5 BB 15	235,00
NL	RWIT 75D5 NL 15	231,00
NF	RWIT 75D5 NF 15	231,00
HH	RWIT 75D5 HH 15	284,00
CZ	RWIT 75D5 CZ 15	284,00
US	RWIT 75D5 US 15	284,00
UZ	RWIT 75D5 UZ 15	284,00
KK	RWIT 75D5 KK 15	284,00
DD	RWIT 75D5 DD 15	365,00
DZ	RWIT 75D5 DZ 15	365,00
SZ	RWIT 75D5 SZ 15	365,00

Deviatore incasso 2 uscite
2 ways concealed diverter
Inverseur à encastrer à 2 sorties
2 Wege UP- Umsteller



RWIT 7AD5 ZZ 01 200,00
+ PARTI INCASSO - CONCEALED BODY
CORPS À ENCASTRER - UNTERPUTZTEIL

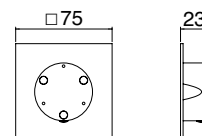


CC	RWIT 75D6 CC 15	199,00
NN	RWIT 75D6 NN 15	283,00
BB	RWIT 75D6 BB 15	283,00
NL	RWIT 75D6 NL 15	279,00
NF	RWIT 75D6 NF 15	279,00
HH	RWIT 75D6 HH 15	343,00
CZ	RWIT 75D6 CZ 15	343,00
US	RWIT 75D6 US 15	343,00
UZ	RWIT 75D6 UZ 15	343,00
KK	RWIT 75D6 KK 15	343,00
DD	RWIT 75D6 DD 15	440,00
DZ	RWIT 75D6 DZ 15	440,00
SZ	RWIT 75D6 SZ 15	440,00

Deviatore incasso 3 uscite
3 ways concealed diverter
Inverseur à encastrer à 3 sorties
3 Wege UP- Umsteller



RWIT 7AD5 ZZ 01 200,00
+ PARTI INCASSO - CONCEALED BODY
CORPS À ENCASTRER - UNTERPUTZTEIL

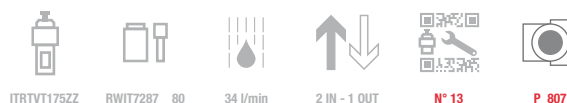


Showers & Thermostatics



CC	RWIT 7286 CC 80	109,00
NN	RWIT 7286 NN 80	155,00
BB	RWIT 7286 BB 80	155,00
NL	RWIT 7286 NL 80	152,00
NF	RWIT 7286 NF 80	152,00
HH	RWIT 7286 HH 80	187,00
CZ	RWIT 7286 CZ 80	187,00
US	RWIT 7286 US 80	187,00
UZ	RWIT 7286 UZ 80	187,00
KK	RWIT 7286 KK 80	187,00
DD	RWIT 7286 DD 80	240,00
DZ	RWIT 7286 DZ 80	240,00
SZ	RWIT 7286 SZ 80	240,00

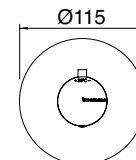
Termostatico incasso
Concealed thermostatic
Thermostatique à encastrer
UP-Thermostat



ITRTVT175ZZ RWIT7287_80 34 l/min 2 IN - 1 OUT N° 13 P_807

RWIT 7286 ZZ 70 308,00

+ PARTI INCASSO - CONCEALED BODY
CORPS À ENCASTRER - UNTERPUTZTEIL



Funzione di sola regolazione temperatura
no chiusura/apertura acqua

Temperature setting only
No switch on/off water device

Régulation de la température uniquement
aucune ouverture/fermeture de l'eau

Nur Temperaturregelung,
keine Wasser auf / Wasser aus Funktion



CC	RWIT 72B6 CC 20	137,00
NN	RWIT 72B6 NN 20	195,00
BB	RWIT 72B6 BB 20	195,00
NL	RWIT 72B6 NL 20	192,00
NF	RWIT 72B6 NF 20	192,00
HH	RWIT 72B6 HH 20	236,00
CZ	RWIT 72B6 CZ 20	236,00
US	RWIT 72B6 US 20	236,00
UZ	RWIT 72B6 UZ 20	236,00
KK	RWIT 72B6 KK 20	236,00
DD	RWIT 72B6 DD 20	303,00
DZ	RWIT 72B6 DZ 20	303,00
SZ	RWIT 72B6 SZ 20	303,00

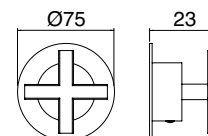
Rubinetto d'arresto 1/2"
1/2" concealed stop valve
Robinet d'arrêt 1/2"
UP-Ventil 1/2"



ITRTVT176ZZ RWIT7287ZZ81 34 l/min 1 IN - 1 OUT P_803

RWIT 72B6 ZZ 01 290,00

+ PARTI INCASSO - CONCEALED BODY
CORPS À ENCASTRER - UNTERPUTZTEIL



CC	RWIT 10D5 CC 01	210,00
NN	RWIT 10D5 NN 01	299,00
BB	RWIT 10D5 BB 01	299,00
NL	RWIT 10D5 NL 01	294,00
NF	RWIT 10D5 NF 01	294,00
HH	RWIT 10D5 HH 01	362,00
CZ	RWIT 10D5 CZ 01	362,00
US	RWIT 10D5 US 01	362,00
UZ	RWIT 10D5 UZ 01	362,00
KK	RWIT 10D5 KK 01	362,00
DD	RWIT 10D5 DD 01	465,00
DZ	RWIT 10D5 DZ 01	465,00
SZ	RWIT 10D5 SZ 01	465,00

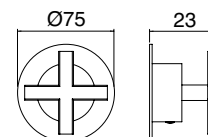
Deviatore incasso 2 uscite
2 ways concealed diverter
Inverseur à encastrer à 2 sorties
2 Wege UP- Umsteller



ITRTVT189ZZ RWIT7287ZZ81 24 l/min N° 15

RWIT 7AD5 ZZ 01 200,00

+ PARTI INCASSO - CONCEALED BODY
CORPS À ENCASTRER - UNTERPUTZTEIL



CC	RWIT 10D6 CC 01	244,00
NN	RWIT 10D6 NN 01	347,00
BB	RWIT 10D6 BB 01	347,00
NL	RWIT 10D6 NL 01	342,00
NF	RWIT 10D6 NF 01	342,00
HH	RWIT 10D6 HH 01	420,00
CZ	RWIT 10D6 CZ 01	420,00
US	RWIT 10D6 US 01	420,00
UZ	RWIT 10D6 UZ 01	420,00
KK	RWIT 10D6 KK 01	420,00
DD	RWIT 10D6 DD 01	540,00
DZ	RWIT 10D6 DZ 01	540,00
SZ	RWIT 10D6 SZ 01	540,00

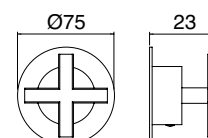
Deviatore incasso 3 uscite
3 ways concealed diverter
Inverseur à encastrer à 3 sorties
3 Wege UP- Umsteller



ITRTVT190ZZ RWIT7287ZZ81 24 l/min N° 15

RWIT 7AD5 ZZ 01 200,00

+ PARTI INCASSO - CONCEALED BODY
CORPS À ENCASTRER - UNTERPUTZTEIL



Showers & Thermostatics

X-CHANGE

ELECTRONIC

SHOWERS & THERMOSTATICS

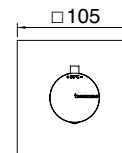


CC	RWIT 7286 CC 85	109,00
NN	RWIT 7286 NN 85	155,00
BB	RWIT 7286 BB 85	155,00
NL	RWIT 7286 NL 85	152,00
NF	RWIT 7286 NF 85	152,00
HH	RWIT 7286 HH 85	187,00
CZ	RWIT 7286 CZ 85	187,00
US	RWIT 7286 US 85	187,00
UZ	RWIT 7286 UZ 85	187,00
KK	RWIT 7286 KK 85	187,00
DD	RWIT 7286 DD 85	240,00
DZ	RWIT 7286 DZ 85	240,00
SZ	RWIT 7286 SZ 85	240,00

Termostatico incasso
Concealed thermostatic
Thermostatique à encastrer
UP-Thermostat



RWIT 7286 ZZ 70 308,00
+ PARTI INCASSO - CONCEALED BODY
CORPS À ENCASTRER - UNTERPUTZTEIL



**Funzione di sola regolazione temperatura
no chiusura/apertura acqua**

**Temperature setting only
No switch on/off water device**

**Régulation de la température uniquement
aucune ouverture/fermeture de l'eau**

**Nur Temperaturregelung,
keine Wasser auf / Wasser aus Funktion**

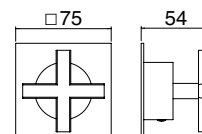


CC	RWIT 72B6 CC 25	137,00
NN	RWIT 72B6 NN 25	195,00
BB	RWIT 72B6 BB 25	195,00
NL	RWIT 72B6 NL 25	192,00
NF	RWIT 72B6 NF 25	192,00
HH	RWIT 72B6 HH 25	236,00
CZ	RWIT 72B6 CZ 25	236,00
US	RWIT 72B6 US 25	236,00
UZ	RWIT 72B6 UZ 25	236,00
KK	RWIT 72B6 KK 25	236,00
DD	RWIT 72B6 DD 25	303,00
DZ	RWIT 72B6 DZ 25	303,00
SZ	RWIT 72B6 SZ 25	303,00

Rubinetto d'arresto 1/2"
1/2" concealed stop valve
Robinet d'arrêt 1/2"
UP-Ventil 1/2"



RWIT 72B6 ZZ 01 290,00
+ PARTI INCASSO - CONCEALED BODY
CORPS À ENCASTRER - UNTERPUTZTEIL

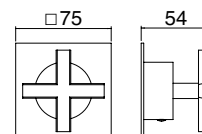


CC	RWIT 75D5 CC 25	210,00
NN	RWIT 75D5 NN 25	299,00
BB	RWIT 75D5 BB 25	299,00
NL	RWIT 75D5 NL 25	294,00
NF	RWIT 75D5 NF 25	294,00
HH	RWIT 75D5 HH 25	362,00
CZ	RWIT 75D5 CZ 25	362,00
US	RWIT 75D5 US 25	362,00
UZ	RWIT 75D5 UZ 25	362,00
KK	RWIT 75D5 KK 25	362,00
DD	RWIT 75D5 DD 25	465,00
DZ	RWIT 75D5 DZ 25	465,00
SZ	RWIT 75D5 SZ 25	465,00

Deviatore incasso 2 uscite
2 ways concealed diverter
Inverseur à encastrer à 2 sorties
2 Wege UP- Umsteller



RWIT 7AD5 ZZ 01 200,00
+ PARTI INCASSO - CONCEALED BODY
CORPS À ENCASTRER - UNTERPUTZTEIL

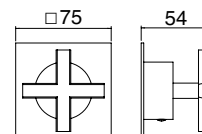


CC	RWIT 75D6 CC 25	244,00
NN	RWIT 75D6 NN 25	347,00
BB	RWIT 75D6 BB 25	347,00
NL	RWIT 75D6 NL 25	342,00
NF	RWIT 75D6 NF 25	342,00
HH	RWIT 75D6 HH 25	420,00
CZ	RWIT 75D6 CZ 25	420,00
US	RWIT 75D6 US 25	420,00
UZ	RWIT 75D6 UZ 25	420,00
KK	RWIT 75D6 KK 25	420,00
DD	RWIT 75D6 DD 25	540,00
DZ	RWIT 75D6 DZ 25	540,00
SZ	RWIT 75D6 SZ 25	540,00

Deviatore incasso 3 uscite
3 ways concealed diverter
Inverseur à encastrer à 3 sorties
3 Wege UP- Umsteller



RWIT 7AD5 ZZ 01 200,00
+ PARTI INCASSO - CONCEALED BODY
CORPS À ENCASTRER - UNTERPUTZTEIL



Showers & Thermostatics



CC	RWIT 8A46 CC 03	230,00
NN	RWIT 8A46 NN 03	327,00
BB	RWIT 8A46 BB 03	327,00
NL	RWIT 8A46 NL 03	323,00
NF	RWIT 8A46 NF 03	323,00
HH	RWIT 8A46 HH 03	396,00
CZ	RWIT 8A46 CZ 03	396,00
US	RWIT 8A46 US 03	396,00
UZ	RWIT 8A46 UZ 03	396,00
KK	RWIT 8A46 KK 03	396,00
DD	RWIT 8A46 DD 03	508,00
DZ	RWIT 8A46 DZ 03	508,00
SZ	RWIT 8A46 SZ 03	508,00

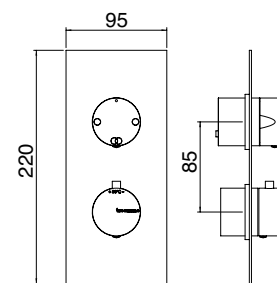
Termostatico incasso con deviatore 2 uscite
 Concealed thermostatic with 2 ways diverter
 Thermostatique à encastrer avec inverseur à 2 sorties
 UP-Thermostat mit 2 Wege Umsteller



ITRTMT208ZZ ITRTVT189ZZ RWIT8A46_21 RWIT22A2_06 21 l/min 2 IN - 2 OUT N° 12 N° 13 RWIT8A72ZZ90

RWIT 8A46 ZZ 20 309,00

+ PARTI INCASSO - CONCEALED BODY
 CORPS À ENCASTRER - UNTERPUTZTEIL



CC	RWIT 8A72 CC 03	277,00
NN	RWIT 8A72 NN 03	393,00
BB	RWIT 8A72 BB 03	393,00
NL	RWIT 8A72 NL 03	388,00
NF	RWIT 8A72 NF 03	388,00
HH	RWIT 8A72 HH 03	475,00
CZ	RWIT 8A72 CZ 03	475,00
US	RWIT 8A72 US 03	475,00
UZ	RWIT 8A72 UZ 03	475,00
KK	RWIT 8A72 KK 03	475,00
DD	RWIT 8A72 DD 03	611,00
DZ	RWIT 8A72 DZ 03	611,00
SZ	RWIT 8A72 SZ 03	611,00

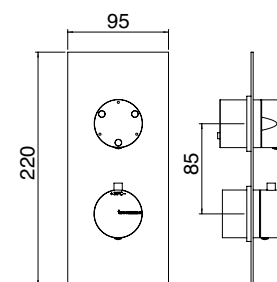
Termostatico incasso con deviatore 3 uscite
 Concealed thermostatic with 3 ways diverter
 Thermostatique à encastrer avec inverseur à 3 sorties
 UP-Thermostat mit 3 Wege Umsteller



ITRTMT208ZZ ITRTVT190ZZ RWIT8A46_21 RWIT22A2_06 21 l/min 2 IN - 3 OUT N° 12 N° 13 RWIT8A72ZZ90

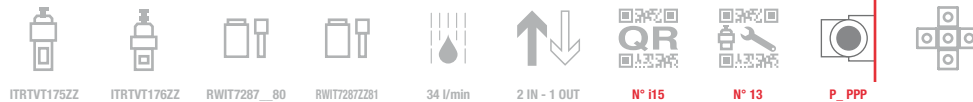
RWIT 8A46 ZZ 20 309,00

+ PARTI INCASSO - CONCEALED BODY
 CORPS À ENCASTRER - UNTERPUTZTEIL



CC	RWIT 7287 CC 35	201,00
NN	RWIT 7287 NN 35	286,00
BB	RWIT 7287 BB 35	286,00
NL	RWIT 7287 NL 35	282,00
NF	RWIT 7287 NF 35	282,00
HH	RWIT 7287 HH 35	347,00
CZ	RWIT 7287 CZ 35	347,00
US	RWIT 7287 US 35	347,00
UZ	RWIT 7287 UZ 35	347,00
KK	RWIT 7287 KK 35	347,00
DD	RWIT 7287 DD 35	444,00
DZ	RWIT 7287 DZ 35	444,00
SZ	RWIT 7287 SZ 35	444,00

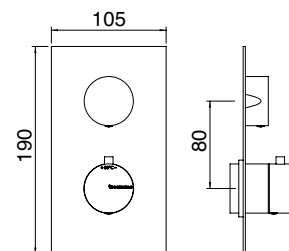
Termostatico incasso 1 uscita
 1 way concealed thermostatic
 Thermostatique à encastrer avec 1 sortie
 UP-Thermostat mit 1 Weg



ITRTVT175ZZ ITRTVT176ZZ RWIT7287_80 RWIT7287Z281 34 l/min 2 IN - 1 OUT N° 115 N° 13 P_PPP

RWIT 7287 ZZ 30 458,00

+ PARTI INCASSO - CONCEALED BODY
 CORPS À ENCASTRER - UNTERPUTZTEIL



CC	RWIT 7286 CC 35	315,00
NN	RWIT 7286 NN 35	448,00
BB	RWIT 7286 BB 35	448,00
NL	RWIT 7286 NL 35	440,00
NF	RWIT 7286 NF 35	440,00
HH	RWIT 7286 HH 35	541,00
CZ	RWIT 7286 CZ 35	541,00
US	RWIT 7286 US 35	541,00
UZ	RWIT 7286 UZ 35	541,00
KK	RWIT 7286 KK 35	541,00
DD	RWIT 7286 DD 35	696,00
DZ	RWIT 7286 DZ 35	696,00
SZ	RWIT 7286 SZ 35	696,00

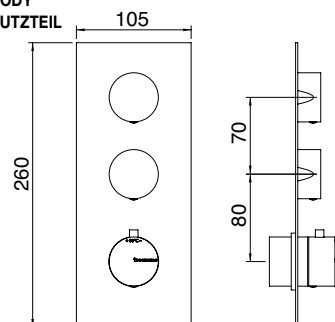
Termostatico incasso 2 uscite
 2 ways concealed thermostatic
 Thermostatique à encastrer avec 2 sorties
 UP-Thermostat mit 2 Wege



ITRTVT175ZZ ITRTVT176ZZ RWIT7287_80 RWIT7287Z281 x2 34 l/min 2 IN - 2 OUT N° 115 N° 13 P_805

RWIT 7286 ZZ 30 680,00

+ PARTI INCASSO - CONCEALED BODY
 CORPS À ENCASTRER - UNTERPUTZTEIL



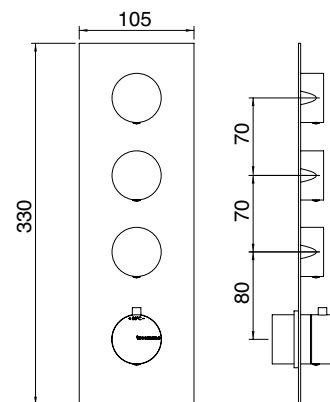
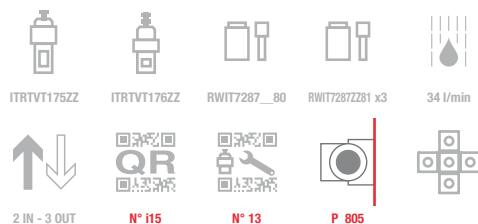


CC	RWIT 7294 CC 35	428,00
NN	RWIT 7294 NN 35	608,00
BB	RWIT 7294 BB 35	608,00
NL	RWIT 7294 NL 35	599,00
NF	RWIT 7294 NF 35	599,00
HH	RWIT 7294 HH 35	736,00
CZ	RWIT 7294 CZ 35	736,00
US	RWIT 7294 US 35	736,00
UZ	RWIT 7294 UZ 35	736,00
KK	RWIT 7294 KK 35	736,00
DD	RWIT 7294 DD 35	946,00
DZ	RWIT 7294 DZ 35	946,00
SZ	RWIT 7294 SZ 35	946,00

RWIT 7294 ZZ 30 855,00

+ PARTI INCASSO - CONCEALED BODY
CORPS À ENCASTRER - UNTERPUTZTEIL

Termostatico incasso 3 uscite
3 ways concealed thermostatic
Thermostatique à encastrer avec 3 sorties
UP-Thermostat mit 3 Wege

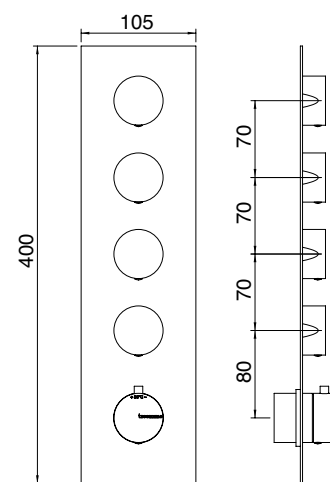


CC	RWIT 7297 CC 35	526,00
NN	RWIT 7297 NN 35	747,00
BB	RWIT 7297 BB 35	747,00
NL	RWIT 7297 NL 35	736,00
NF	RWIT 7297 NF 35	736,00
HH	RWIT 7297 HH 35	905,00
CZ	RWIT 7297 CZ 35	905,00
US	RWIT 7297 US 35	905,00
UZ	RWIT 7297 UZ 35	905,00
KK	RWIT 7297 KK 35	905,00
DD	RWIT 7297 DD 35	1.162,00
DZ	RWIT 7297 DZ 35	1.162,00
SZ	RWIT 7297 SZ 35	1.162,00

RWIT 7297 ZZ 30 1.030,00

+ PARTI INCASSO - CONCEALED BODY
CORPS À ENCASTRER - UNTERPUTZTEIL

Termostatico incasso 4 uscite
4 ways concealed thermostatic
Thermostatique à encastrer avec 4 sorties
UP-Thermostat mit 4 Wege

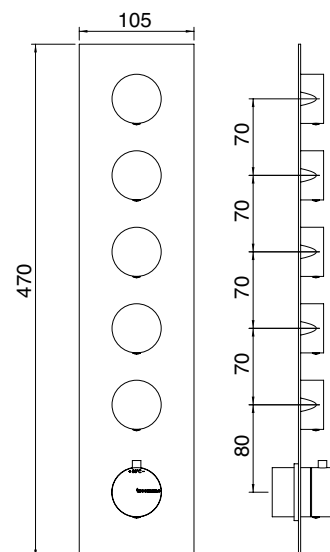


CC	RWIT 7298 CC 35	624,00
NN	RWIT 7298 NN 35	886,00
BB	RWIT 7298 BB 35	886,00
NL	RWIT 7298 NL 35	873,00
NF	RWIT 7298 NF 35	873,00
HH	RWIT 7298 HH 35	1.073,00
CZ	RWIT 7298 CZ 35	1.073,00
US	RWIT 7298 US 35	1.073,00
UZ	RWIT 7298 UZ 35	1.073,00
KK	RWIT 7298 KK 35	1.073,00
DD	RWIT 7298 DD 35	1.379,00
DZ	RWIT 7298 DZ 35	1.379,00
SZ	RWIT 7298 SZ 35	1.379,00

RWIT 7298 ZZ 30 1.205,00

+ PARTI INCASSO - CONCEALED BODY
CORPS À ENCASTRER - UNTERPUTZTEIL

Termostatico incasso 5 uscite
5 ways concealed thermostatic
Thermostatique à encastrer avec 5 sorties
UP-Thermostat mit 5 Wege



Showers & Thermostatics

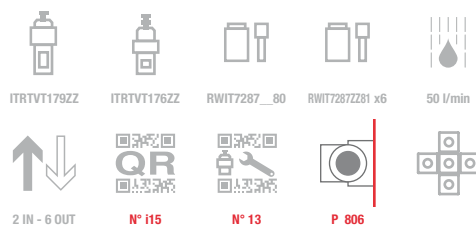
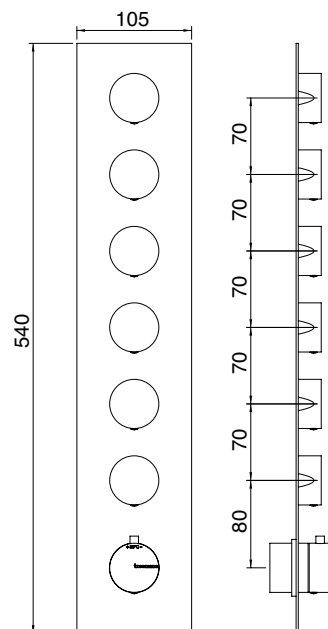


CC	RWIT 7264 CC 35	721,00
NN	RWIT 7264 NN 35	1.024,00
BB	RWIT 7264 BB 35	1.024,00
NL	RWIT 7264 NL 35	1.010,00
NF	RWIT 7264 NF 35	1.010,00
HH	RWIT 7264 HH 35	1.241,00
CZ	RWIT 7264 CZ 35	1.241,00
US	RWIT 7264 US 35	1.241,00
UZ	RWIT 7264 UZ 35	1.241,00
KK	RWIT 7264 KK 35	1.241,00
DD	RWIT 7264 DD 35	1.594,00
DZ	RWIT 7264 DZ 35	1.594,00
SZ	RWIT 7264 SZ 35	1.594,00

Termostatico incasso 6 uscite
6 ways concealed thermostatic
Thermostatique à encastrer avec 6 sorties
UP-Thermostat mit 6 Wege

RWIT 7264 ZZ 30 1.380,00

+ PARTI INCASSO - CONCEALED BODY
CORPS À ENCASTRER - UNTERPUTZTEIL



ITRTVT179ZZ

ITRTVT176ZZ

RWIT7287__80

RWIT7287ZZ81 x6

50 l/min



2 IN - 6 OUT



N° i15



N° 13



P_806

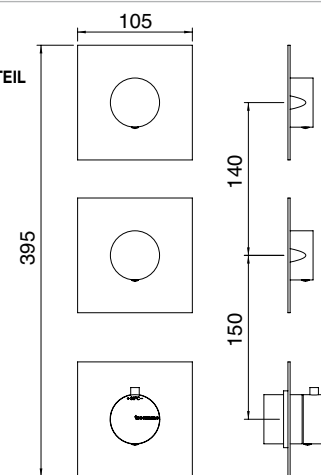


CC	RWIT 7274 CC 55	356,00
NN	RWIT 7274 NN 55	505,00
BB	RWIT 7274 BB 55	505,00
NL	RWIT 7274 NL 55	498,00
NF	RWIT 7274 NF 55	498,00
HH	RWIT 7274 HH 55	612,00
CZ	RWIT 7274 CZ 55	612,00
US	RWIT 7274 US 55	612,00
UZ	RWIT 7274 UZ 55	612,00
KK	RWIT 7274 KK 55	612,00
DD	RWIT 7274 DD 55	786,00
DZ	RWIT 7274 DZ 55	786,00
SZ	RWIT 7274 SZ 55	786,00

Termostatico incasso 2 uscite
2 ways concealed thermostatic
Thermostatique à encastrer avec 2 sorties
UP-Thermostat mit 2 Wege

RWIT 7274 ZZ 40 762,00

+ PARTI INCASSO - CONCEALED BODY
CORPS À ENCASTRER - UNTERPUTZTEIL



ITRTVT175ZZ

ITRTVT176ZZ

RWIT7287__80

RWIT7287ZZ81 x2

34 l/min

2 IN - 2 OUT

N° i15

N° 13

P_806

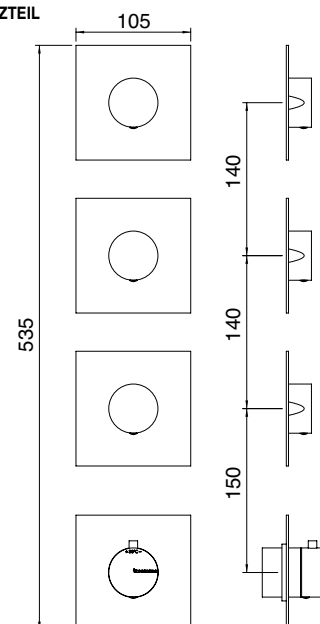


CC	RWIT 7275 CC 36	490,00
NN	RWIT 7275 NN 36	696,00
BB	RWIT 7275 BB 36	696,00
NL	RWIT 7275 NL 36	685,00
NF	RWIT 7275 NF 36	685,00
HH	RWIT 7275 HH 36	842,00
CZ	RWIT 7275 CZ 36	842,00
US	RWIT 7275 US 36	842,00
UZ	RWIT 7275 UZ 36	842,00
KK	RWIT 7275 KK 36	842,00
DD	RWIT 7275 DD 36	1.082,00
DZ	RWIT 7275 DZ 36	1.082,00
SZ	RWIT 7275 SZ 36	1.082,00

Termostatico incasso 3 uscite
3 ways concealed thermostatic
Thermostatique à encastrer avec 3 sorties
UP-Thermostat mit 3 Wege

RWIT 7275 ZZ 40 937,00

+ PARTI INCASSO - CONCEALED BODY
CORPS À ENCASTRER - UNTERPUTZTEIL



ITRTVT175ZZ

ITRTVT176ZZ

RWIT7287__80

RWIT7287ZZ81 x3

34 l/min



2 IN - 3 OUT



N° i15



N° 13



P_807



Showers & Thermostatics

X-CHANGE

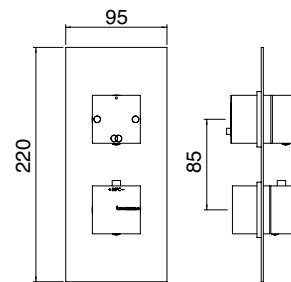
ELECTRONIC

SHOWERS & THERMOSTATICS



CC	RWIT 8A46 CC 12	265,00
NN	RWIT 8A46 NN 12	376,00
BB	RWIT 8A46 BB 12	376,00
NL	RWIT 8A46 NL 12	371,00
NF	RWIT 8A46 NF 12	371,00
HH	RWIT 8A46 HH 12	457,00
CZ	RWIT 8A46 CZ 12	457,00
US	RWIT 8A46 US 12	457,00
UZ	RWIT 8A46 UZ 12	457,00
KK	RWIT 8A46 KK 12	457,00
DD	RWIT 8A46 DD 12	586,00
DZ	RWIT 8A46 DZ 12	586,00
SZ	RWIT 8A46 SZ 12	586,00

RWIT 8A46 ZZ 20 309,00
 + PARTI INCASSO - CONCEALED BODY
 CORPS À ENCASTRER - UNTERPUTZTEIL

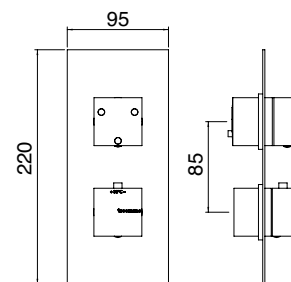


Termostatico incasso con deviatore 2 uscite
 Concealed thermostatic with 2 ways diverter
 Thermostatique à encastrer avec inverseur à 2 sorties
 UP-Thermostat mit 2 Wege Umsteller



CC	RWIT 8A72 CC 12	311,00
NN	RWIT 8A72 NN 12	441,00
BB	RWIT 8A72 BB 12	441,00
NL	RWIT 8A72 NL 12	435,00
NF	RWIT 8A72 NF 12	435,00
HH	RWIT 8A72 HH 12	534,00
CZ	RWIT 8A72 CZ 12	534,00
US	RWIT 8A72 US 12	534,00
UZ	RWIT 8A72 UZ 12	534,00
KK	RWIT 8A72 KK 12	534,00
DD	RWIT 8A72 DD 12	686,00
DZ	RWIT 8A72 DZ 12	686,00
SZ	RWIT 8A72 SZ 12	686,00

RWIT 8A46 ZZ 20 309,00
 + PARTI INCASSO - CONCEALED BODY
 CORPS À ENCASTRER - UNTERPUTZTEIL

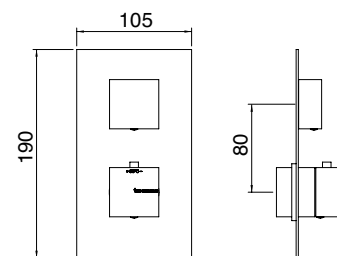


Termostatico incasso con deviatore 3 uscite
 Concealed thermostatic with 3 ways diverter
 Thermostatique à encastrer avec inverseur à 3 sorties
 UP-Thermostat mit 3 Wege Umsteller

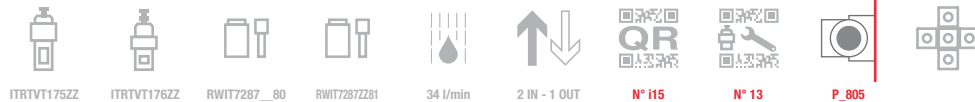


CC	RWIT 7287 CC 32	248,00
NN	RWIT 7287 NN 32	352,00
BB	RWIT 7287 BB 32	352,00
NL	RWIT 7287 NL 32	347,00
NF	RWIT 7287 NF 32	347,00
HH	RWIT 7287 HH 32	426,00
CZ	RWIT 7287 CZ 32	426,00
US	RWIT 7287 US 32	426,00
UZ	RWIT 7287 UZ 32	426,00
KK	RWIT 7287 KK 32	426,00
DD	RWIT 7287 DD 32	547,00
DZ	RWIT 7287 DZ 32	547,00
SZ	RWIT 7287 SZ 32	547,00

RWIT 7287 ZZ 30 458,00
 + PARTI INCASSO - CONCEALED BODY
 CORPS À ENCASTRER - UNTERPUTZTEIL

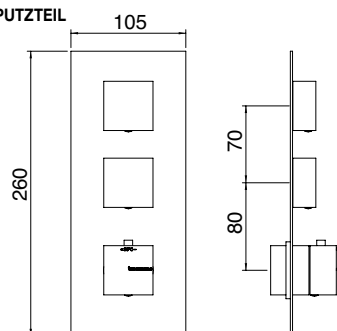


Termostatico incasso 1 uscita
 1 way concealed thermostatic
 Thermostatique à encastrer avec 1 sortie
 UP-Thermostat mit 1 Weg

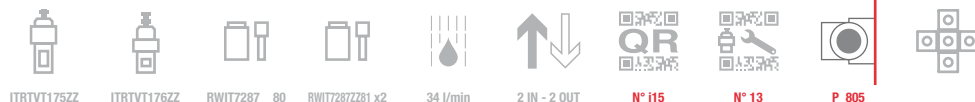


CC	RWIT 7286 CC 32	371,00
NN	RWIT 7286 NN 32	528,00
BB	RWIT 7286 BB 32	528,00
NL	RWIT 7286 NL 32	520,00
NF	RWIT 7286 NF 32	520,00
HH	RWIT 7286 HH 32	639,00
CZ	RWIT 7286 CZ 32	639,00
US	RWIT 7286 US 32	639,00
UZ	RWIT 7286 UZ 32	639,00
KK	RWIT 7286 KK 32	639,00
DD	RWIT 7286 DD 32	820,00
DZ	RWIT 7286 DZ 32	820,00
SZ	RWIT 7286 SZ 32	820,00

RWIT 7286 ZZ 30 680,00
 + PARTI INCASSO - CONCEALED BODY
 CORPS À ENCASTRER - UNTERPUTZTEIL



Termostatico incasso 2 uscite
 2 ways concealed thermostatic
 Thermostatique à encastrer avec 2 sorties
 UP-Thermostat mit 2 Wege

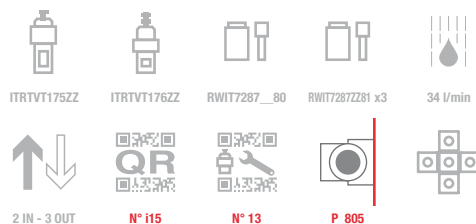


Showers & Thermostatics

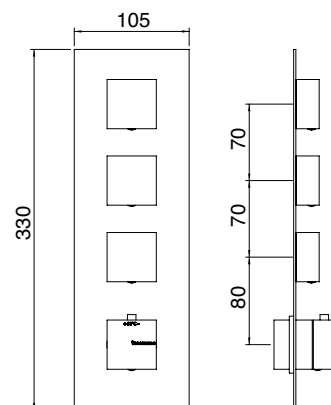


CC	RWIT 7294 CC 32	504,00
NN	RWIT 7294 NN 32	716,00
BB	RWIT 7294 BB 32	716,00
NL	RWIT 7294 NL 32	706,00
NF	RWIT 7294 NF 32	706,00
HH	RWIT 7294 HH 32	868,00
CZ	RWIT 7294 CZ 32	868,00
US	RWIT 7294 US 32	868,00
UZ	RWIT 7294 UZ 32	868,00
KK	RWIT 7294 KK 32	868,00
DD	RWIT 7294 DD 32	1.114,00
DZ	RWIT 7294 DZ 32	1.114,00
SZ	RWIT 7294 SZ 32	1.114,00

Termostatico incasso 3 uscite
3 ways concealed thermostatic
Thermostatique à encastrer avec 3 sorties
UP-Thermostat mit 3 Wege



RWIT 7294 ZZ 30 855,00
+ PARTI INCASSO - CONCEALED BODY
CORPS À ENCASTRER - UNTERPUTZTEIL

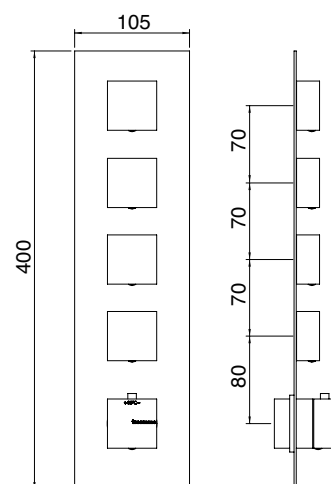


CC	RWIT 7297 CC 32	597,00
NN	RWIT 7297 NN 32	848,00
BB	RWIT 7297 BB 32	848,00
NL	RWIT 7297 NL 32	836,00
NF	RWIT 7297 NF 32	836,00
HH	RWIT 7297 HH 32	1.026,00
CZ	RWIT 7297 CZ 32	1.026,00
US	RWIT 7297 US 32	1.026,00
UZ	RWIT 7297 UZ 32	1.026,00
KK	RWIT 7297 KK 32	1.026,00
DD	RWIT 7297 DD 32	1.319,00
DZ	RWIT 7297 DZ 32	1.319,00
SZ	RWIT 7297 SZ 32	1.319,00

Termostatico incasso 4 uscite
4 ways concealed thermostatic
Thermostatique à encastrer avec 4 sorties
UP-Thermostat mit 4 Wege



RWIT 7297 ZZ 30 1.030,00
+ PARTI INCASSO - CONCEALED BODY
CORPS À ENCASTRER - UNTERPUTZTEIL

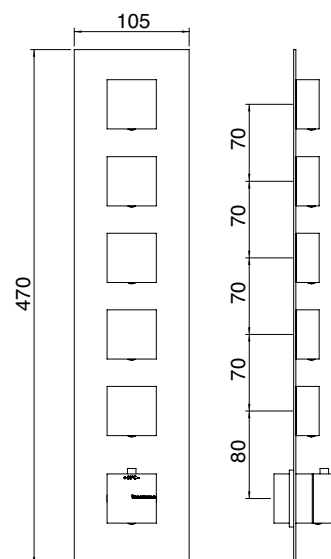


CC	RWIT 7298 CC 32	720,00
NN	RWIT 7298 NN 32	1.023,00
BB	RWIT 7298 BB 32	1.023,00
NL	RWIT 7298 NL 32	1.009,00
NF	RWIT 7298 NF 32	1.009,00
HH	RWIT 7298 HH 32	1.240,00
CZ	RWIT 7298 CZ 32	1.240,00
US	RWIT 7298 US 32	1.240,00
UZ	RWIT 7298 UZ 32	1.240,00
KK	RWIT 7298 KK 32	1.240,00
DD	RWIT 7298 DD 32	1.592,00
DZ	RWIT 7298 DZ 32	1.592,00
SZ	RWIT 7298 SZ 32	1.592,00

Termostatico incasso 5 uscite
5 ways concealed thermostatic
Thermostatique à encastrer avec 5 sorties
UP-Thermostat mit 5 Wege



RWIT 7298 ZZ 30 1.205,00
+ PARTI INCASSO - CONCEALED BODY
CORPS À ENCASTRER - UNTERPUTZTEIL

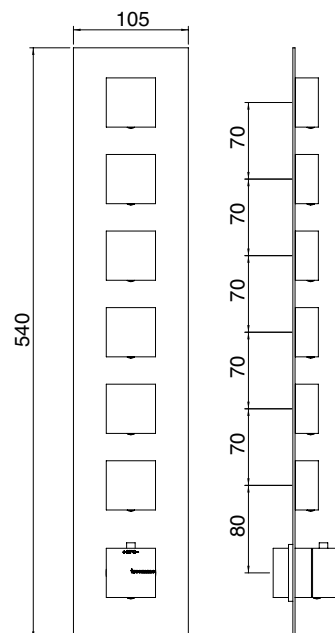




CC	RWIT 7264 CC 32	855,00
NN	RWIT 7264 NN 32	1.215,00
BB	RWIT 7264 BB 32	1.215,00
NL	RWIT 7264 NL 32	1.197,00
NF	RWIT 7264 NF 32	1.197,00
HH	RWIT 7264 HH 32	1.471,00
CZ	RWIT 7264 CZ 32	1.471,00
US	RWIT 7264 US 32	1.471,00
UZ	RWIT 7264 UZ 32	1.471,00
KK	RWIT 7264 KK 32	1.471,00
DD	RWIT 7264 DD 32	1.891,00
DZ	RWIT 7264 DZ 32	1.891,00
SZ	RWIT 7264 SZ 32	1.891,00

RWIT 7264 ZZ 30 1.380,00
 +  PARTI INCASSO - CONCEALED BODY
 CORPS À ENCASTRER - UNTERPUTZTEIL

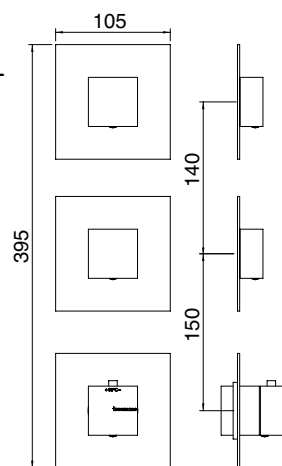
Termostatico incasso 6 uscite
 6 ways concealed thermostatic
 Thermostatique à encastrer avec 6 sorties
 UP-Thermostat mit 6 Wege



CC	RWIT 7274 CC 31	438,00
NN	RWIT 7274 NN 31	623,00
BB	RWIT 7274 BB 31	623,00
NL	RWIT 7274 NL 31	613,00
NF	RWIT 7274 NF 31	613,00
HH	RWIT 7274 HH 31	753,00
CZ	RWIT 7274 CZ 31	753,00
US	RWIT 7274 US 31	753,00
UZ	RWIT 7274 UZ 31	753,00
KK	RWIT 7274 KK 31	753,00
DD	RWIT 7274 DD 31	969,00
DZ	RWIT 7274 DZ 31	969,00
SZ	RWIT 7274 SZ 31	969,00

RWIT 7274 ZZ 40 762,00
 +  PARTI INCASSO - CONCEALED BODY
 CORPS À ENCASTRER - UNTERPUTZTEIL

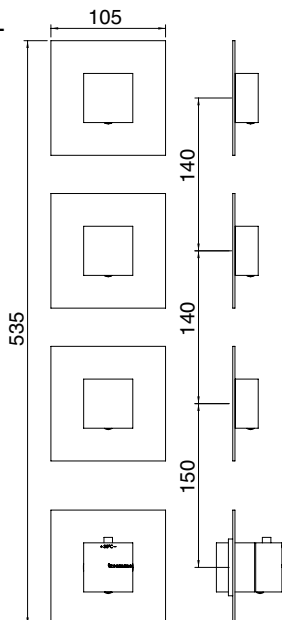
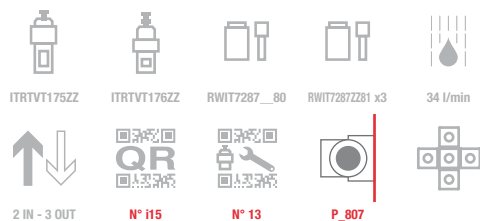
Termostatico incasso 2 uscite
 2 ways concealed thermostatic
 Thermostatique à encastrer avec 2 sorties
 UP-Thermostat mit 2 Wege



CC	RWIT 7275 CC 31	567,00
NN	RWIT 7275 NN 31	805,00
BB	RWIT 7275 BB 31	805,00
NL	RWIT 7275 NL 31	794,00
NF	RWIT 7275 NF 31	794,00
HH	RWIT 7275 HH 31	975,00
CZ	RWIT 7275 CZ 31	975,00
US	RWIT 7275 US 31	975,00
UZ	RWIT 7275 UZ 31	975,00
KK	RWIT 7275 KK 31	975,00
DD	RWIT 7275 DD 31	1.253,00
DZ	RWIT 7275 DZ 31	1.253,00
SZ	RWIT 7275 SZ 31	1.253,00

RWIT 7275 ZZ 40 937,00
 +  PARTI INCASSO - CONCEALED BODY
 CORPS À ENCASTRER - UNTERPUTZTEIL

Termostatico incasso 3 uscite
 3 ways concealed thermostatic
 Thermostatique à encastrer avec 3 sorties
 UP-Thermostat mit 3 Wege



Showers & Thermostatics



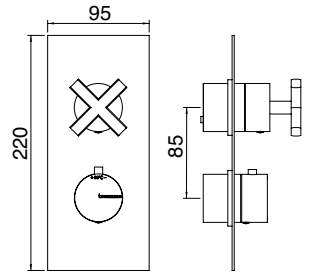
CC	RWIT 8A46 CC 10	277,00
NN	RWIT 8A46 NN 10	393,00
BB	RWIT 8A46 BB 10	393,00
NL	RWIT 8A46 NL 10	388,00
NF	RWIT 8A46 NF 10	388,00
HH	RWIT 8A46 HH 10	475,00
CZ	RWIT 8A46 CZ 10	475,00
US	RWIT 8A46 US 10	475,00
UZ	RWIT 8A46 UZ 10	475,00
KK	RWIT 8A46 KK 10	475,00
DD	RWIT 8A46 DD 10	611,00
DZ	RWIT 8A46 DZ 10	611,00
SZ	RWIT 8A46 SZ 10	611,00

Termostatico incasso con deviatore 2 uscite
 Concealed thermostatic with 2 ways diverter
 Thermostatique à encastrer avec inverseur à 2 sorties
 UP-Thermostat mit 2 Wege Umsteller



RWIT 8A46 ZZ 20 309,00

+ PARTI INCASSO - CONCEALED BODY
 CORPS À ENCASTRER - UNTERPUTZTEIL



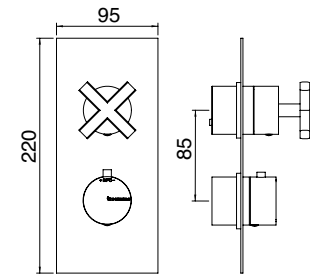
CC	RWIT 8A72 CC 10	322,00
NN	RWIT 8A72 NN 10	458,00
BB	RWIT 8A72 BB 10	458,00
NL	RWIT 8A72 NL 10	451,00
NF	RWIT 8A72 NF 10	451,00
HH	RWIT 8A72 HH 10	554,00
CZ	RWIT 8A72 CZ 10	554,00
US	RWIT 8A72 US 10	554,00
UZ	RWIT 8A72 UZ 10	554,00
KK	RWIT 8A72 KK 10	554,00
DD	RWIT 8A72 DD 10	711,00
DZ	RWIT 8A72 DZ 10	711,00
SZ	RWIT 8A72 SZ 10	711,00

Termostatico incasso con deviatore 3 uscite
 Concealed thermostatic with 3 ways diverter
 Thermostatique à encastrer avec inverseur à 3 sorties
 UP-Thermostat mit 3 Wege Umsteller



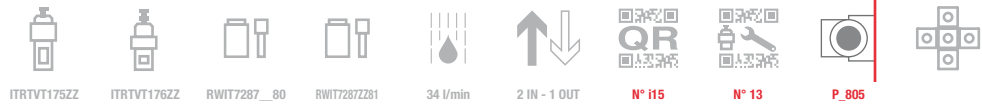
RWIT 8A46 ZZ 20 309,00

+ PARTI INCASSO - CONCEALED BODY
 CORPS À ENCASTRER - UNTERPUTZTEIL



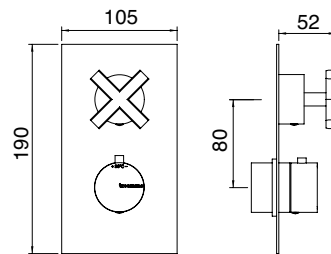
CC	RWIT 7287 CC 36	248,00
NN	RWIT 7287 NN 36	352,00
BB	RWIT 7287 BB 36	352,00
NL	RWIT 7287 NL 36	347,00
NF	RWIT 7287 NF 36	347,00
HH	RWIT 7287 HH 36	426,00
CZ	RWIT 7287 CZ 36	426,00
US	RWIT 7287 US 36	426,00
UZ	RWIT 7287 UZ 36	426,00
KK	RWIT 7287 KK 36	426,00
DD	RWIT 7287 DD 36	547,00
DZ	RWIT 7287 DZ 36	547,00
SZ	RWIT 7287 SZ 36	547,00

Termostatico incasso 1 uscita
 1 way concealed thermostatic
 Thermostatique à encastrer avec 1 sortie
 UP-Thermostat mit 1 Weg



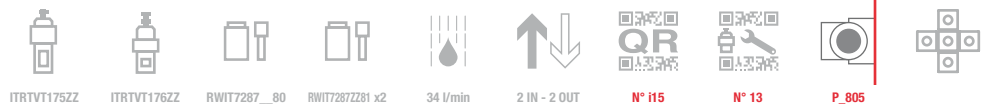
RWIT 7287 ZZ 30 458,00

+ PARTI INCASSO - CONCEALED BODY
 CORPS À ENCASTRER - UNTERPUTZTEIL



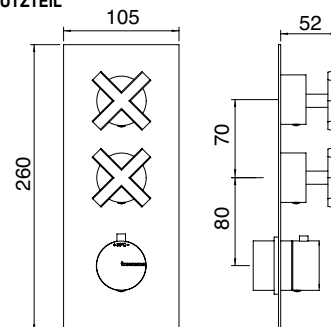
CC	RWIT 7286 CC 36	371,00
NN	RWIT 7286 NN 36	528,00
BB	RWIT 7286 BB 36	528,00
NL	RWIT 7286 NL 36	520,00
NF	RWIT 7286 NF 36	520,00
HH	RWIT 7286 HH 36	639,00
CZ	RWIT 7286 CZ 36	639,00
US	RWIT 7286 US 36	639,00
UZ	RWIT 7286 UZ 36	639,00
KK	RWIT 7286 KK 36	639,00
DD	RWIT 7286 DD 36	820,00
DZ	RWIT 7286 DZ 36	820,00
SZ	RWIT 7286 SZ 36	820,00

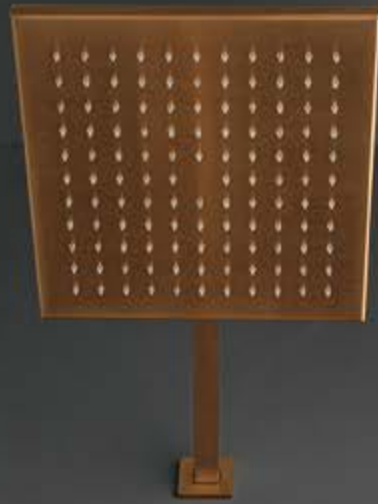
Termostatico incasso 2 uscite
 2 ways concealed thermostatic
 Thermostatique à encastrer avec 2 sorties
 UP-Thermostat mit 2 Wege



RWIT 7286 ZZ 30 680,00

+ PARTI INCASSO - CONCEALED BODY
 CORPS À ENCASTRER - UNTERPUTZTEIL



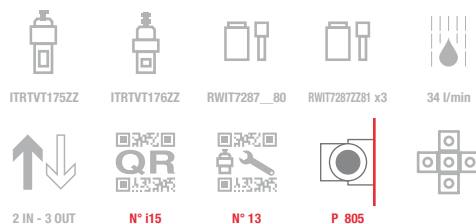


Showers & Thermostatics

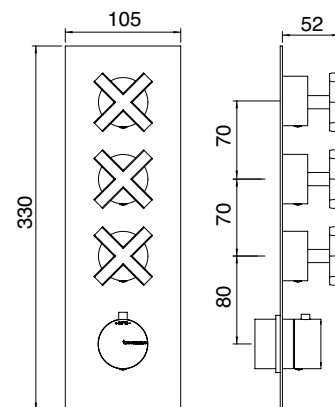


CC	RWIT 7294 CC 41	504,00
NN	RWIT 7294 NN 41	716,00
BB	RWIT 7294 BB 41	716,00
NL	RWIT 7294 NL 41	706,00
NF	RWIT 7294 NF 41	706,00
HH	RWIT 7294 HH 41	868,00
CZ	RWIT 7294 CZ 41	868,00
US	RWIT 7294 US 41	868,00
UZ	RWIT 7294 UZ 41	868,00
KK	RWIT 7294 KK 41	868,00
DD	RWIT 7294 DD 41	1.114,00
DZ	RWIT 7294 DZ 41	1.114,00
SZ	RWIT 7294 SZ 41	1.114,00

Termostatico incasso 3 uscite
3 ways concealed thermostatic
Thermostatique à encastrer avec 3 sorties
UP-Thermostat mit 3 Wege



RWIT 7294 ZZ 30 855,00
+ PARTI INCASSO - CONCEALED BODY
CORPS À ENCASTRER - UNTERPUTZTEIL

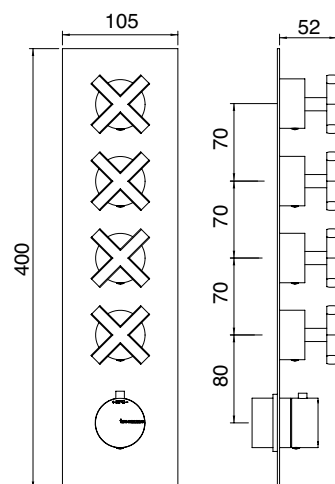


CC	RWIT 7297 CC 36	597,00
NN	RWIT 7297 NN 36	848,00
BB	RWIT 7297 BB 36	848,00
NL	RWIT 7297 NL 36	836,00
NF	RWIT 7297 NF 36	836,00
HH	RWIT 7297 HH 36	1.026,00
CZ	RWIT 7297 CZ 36	1.026,00
US	RWIT 7297 US 36	1.026,00
UZ	RWIT 7297 UZ 36	1.026,00
KK	RWIT 7297 KK 36	1.026,00
DD	RWIT 7297 DD 36	1.319,00
DZ	RWIT 7297 DZ 36	1.319,00
SZ	RWIT 7297 SZ 36	1.319,00

Termostatico incasso 4 uscite
4 ways concealed thermostatic
Thermostatique à encastrer avec 4 sorties
UP-Thermostat mit 4 Wege



RWIT 7297 ZZ 30 1.030,00
+ PARTI INCASSO - CONCEALED BODY
CORPS À ENCASTRER - UNTERPUTZTEIL

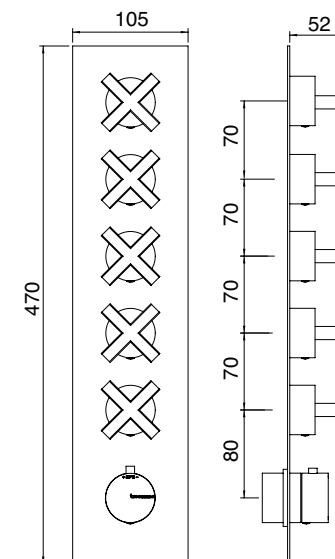


CC	RWIT 7298 CC 36	720,00
NN	RWIT 7298 NN 36	1.023,00
BB	RWIT 7298 BB 36	1.023,00
NL	RWIT 7298 NL 36	1.009,00
NF	RWIT 7298 NF 36	1.009,00
HH	RWIT 7298 HH 36	1.240,00
CZ	RWIT 7298 CZ 36	1.240,00
US	RWIT 7298 US 36	1.240,00
UZ	RWIT 7298 UZ 36	1.240,00
KK	RWIT 7298 KK 36	1.240,00
DD	RWIT 7298 DD 36	1.592,00
DZ	RWIT 7298 DZ 36	1.592,00
SZ	RWIT 7298 SZ 36	1.592,00

Termostatico incasso 5 uscite
5 ways concealed thermostatic
Thermostatique à encastrer avec 5 sorties
UP-Thermostat mit 5 Wege



RWIT 7298 ZZ 30 1.205,00
+ PARTI INCASSO - CONCEALED BODY
CORPS À ENCASTRER - UNTERPUTZTEIL



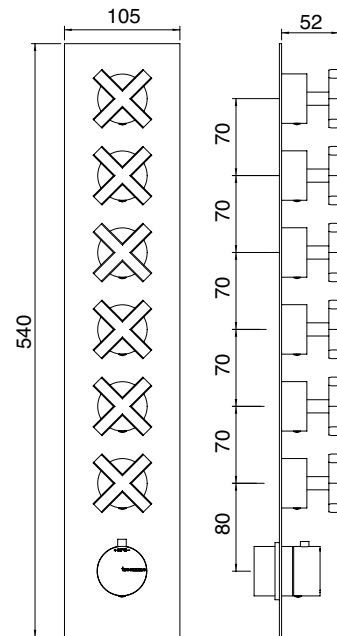
Showers & Thermostatics



CC	RWIT 7264 CC 36	855,00
NN	RWIT 7264 NN 36	1.215,00
BB	RWIT 7264 BB 36	1.215,00
NL	RWIT 7264 NL 36	1.197,00
NF	RWIT 7264 NF 36	1.197,00
HH	RWIT 7264 HH 36	1.471,00
CZ	RWIT 7264 CZ 36	1.471,00
US	RWIT 7264 US 36	1.471,00
UZ	RWIT 7264 UZ 36	1.471,00
KK	RWIT 7264 KK 36	1.471,00
DD	RWIT 7264 DD 36	1.891,00
DZ	RWIT 7264 DZ 36	1.891,00
SZ	RWIT 7264 SZ 36	1.891,00

Termostatico incasso 6 uscite
6 ways concealed thermostatic
Thermostatique à encastrer avec 6 sorties
UP-Thermostat mit 6 Wege

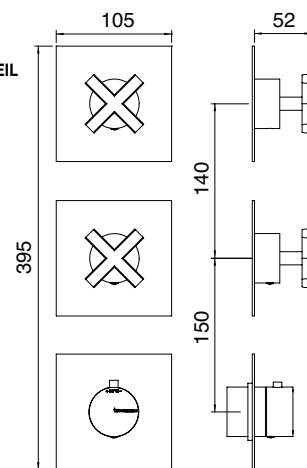
RWIT 7264 ZZ 30 1.380,00
+ PARTI INCASSO - CONCEALED BODY
CORPS À ENCASTRER - UNTERPUTZTEIL



CC	RWIT 7274 CC 33	438,00
NN	RWIT 7274 NN 33	623,00
BB	RWIT 7274 BB 33	623,00
NL	RWIT 7274 NL 33	613,00
NF	RWIT 7274 NF 33	613,00
HH	RWIT 7274 HH 33	753,00
CZ	RWIT 7274 CZ 33	753,00
US	RWIT 7274 US 33	753,00
UZ	RWIT 7274 UZ 33	753,00
KK	RWIT 7274 KK 33	753,00
DD	RWIT 7274 DD 33	969,00
DZ	RWIT 7274 DZ 33	969,00
SZ	RWIT 7274 SZ 33	969,00

Termostatico incasso 2 uscite
2 ways concealed thermostatic
Thermostatique à encastrer avec 2 sorties
UP-Thermostat mit 2 Wege

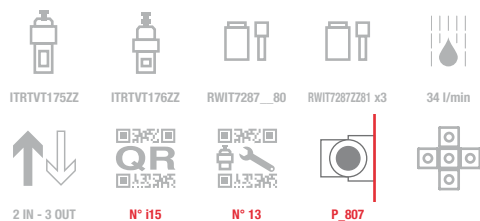
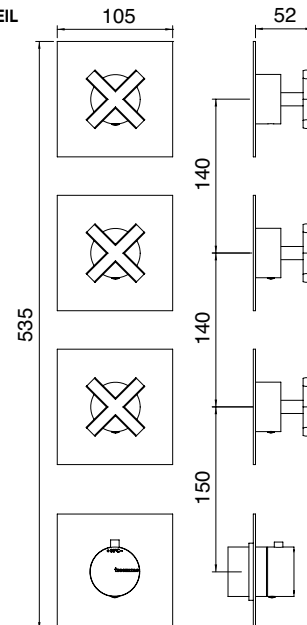
RWIT 7274 ZZ 40 762,00
+ PARTI INCASSO - CONCEALED BODY
CORPS À ENCASTRER - UNTERPUTZTEIL



CC	RWIT 7275 CC 33	567,00
NN	RWIT 7275 NN 33	805,00
BB	RWIT 7275 BB 33	805,00
NL	RWIT 7275 NL 33	794,00
NF	RWIT 7275 NF 33	794,00
HH	RWIT 7275 HH 33	975,00
CZ	RWIT 7275 CZ 33	975,00
US	RWIT 7275 US 33	975,00
UZ	RWIT 7275 UZ 33	975,00
KK	RWIT 7275 KK 33	975,00
DD	RWIT 7275 DD 33	1.253,00
DZ	RWIT 7275 DZ 33	1.253,00
SZ	RWIT 7275 SZ 33	1.253,00

Termostatico incasso 3 uscite
3 ways concealed thermostatic
Thermostatique à encastrer avec 3 sorties
UP-Thermostat mit 3 Wege

RWIT 7275 ZZ 40 937,00
+ PARTI INCASSO - CONCEALED BODY
CORPS À ENCASTRER - UNTERPUTZTEIL



SHOWERS & THERMOSTATICS
ELECTRONIC
X-CHANGE

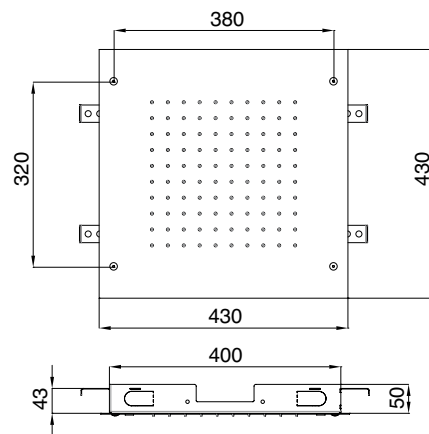
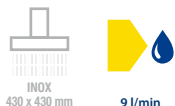


RWIT 2B94 CC 01 + RWIT 2BF6 CC 45 + IT RTBR 406 CC



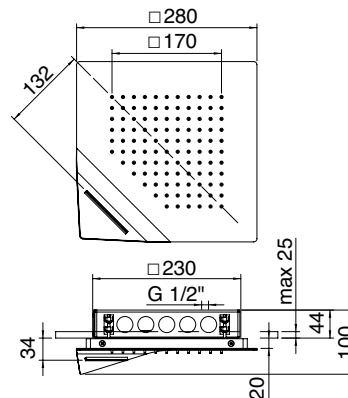
CC	IT RTBR 300 CC	765,00
NN	IT RTBR 300 NN	1.016,00
BB	IT RTBR 300 BB	1.016,00
NL	IT RTBR 300 NL	994,00
NF	IT RTBR 300 NF	994,00
HH	IT RTBR 300 HH	1.177,00
CZ	IT RTBR 300 CZ	1.177,00
US	IT RTBR 300 US	1.177,00
UZ	IT RTBR 300 UZ	1.177,00
KK	IT RTBR 300 KK	1.177,00
DD	IT RTBR 300 DD	1.589,00
DZ	IT RTBR 300 DZ	1.589,00
SZ	IT RTBR 300 SZ	1.589,00

Soffione a soffitto ad incasso
Concealed shower-head
Douche de tête à encastrer, fixation au plafond
UP-Kopfbrause



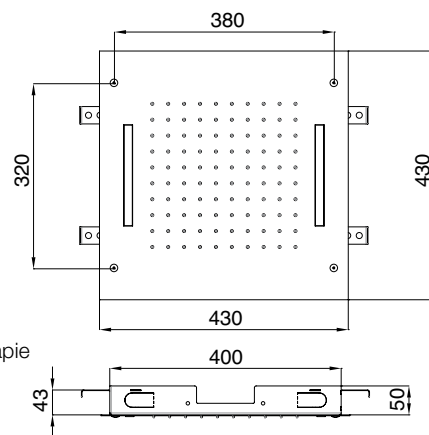
CC	IT RTBR 406 CC	836,00
NN	IT RTBR 406 NN	1.111,00
BB	IT RTBR 406 BB	1.111,00
NL	IT RTBR 406 NL	1.086,00
NF	IT RTBR 406 NF	1.086,00
HH	IT RTBR 406 HH	1.287,00
CZ	IT RTBR 406 CZ	1.287,00
US	IT RTBR 406 US	1.287,00
UZ	IT RTBR 406 UZ	1.287,00
KK	IT RTBR 406 KK	1.287,00
DD	IT RTBR 406 DD	1.737,00
DZ	IT RTBR 406 DZ	1.737,00
SZ	IT RTBR 406 SZ	1.737,00

Soffione per controsoffitto 280 x 280 mm
Headshower for countertop 280 x 280 mm
Douche de tête au plafond 280 x 280 mm
Deckenmontierte Kopfbrause 280 x 280 mm



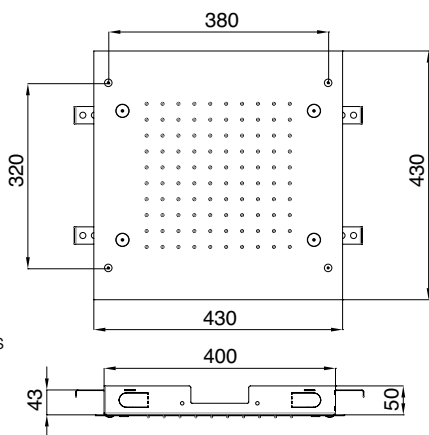
CC	IT RTBR 306 CC	1.665,00
NN	IT RTBR 306 NN	2.213,00
BB	IT RTBR 306 BB	2.213,00
NL	IT RTBR 306 NL	2.163,00
NF	IT RTBR 306 NF	2.163,00
HH	IT RTBR 306 HH	2.563,00
CZ	IT RTBR 306 CZ	2.563,00
US	IT RTBR 306 US	2.563,00
UZ	IT RTBR 306 UZ	2.563,00
KK	IT RTBR 306 KK	2.563,00
DD	IT RTBR 306 DD	3.460,00
DZ	IT RTBR 306 DZ	3.460,00
SZ	IT RTBR 306 SZ	3.460,00

Soffione a soffitto ad incasso con pioggia e cromoterapia
Concealed showerhead with rain and chromotherapy
Douche de tête à encastrer, fixation au plafond, pluie et chromothérapie
UP Brause mit Regen und Farbtherapie



CC	IT RTBR 304 CC	898,00
NN	IT RTBR 304 NN	1.192,00
BB	IT RTBR 304 BB	1.192,00
NL	IT RTBR 304 NL	1.165,00
NF	IT RTBR 304 NF	1.165,00
HH	IT RTBR 304 HH	1.382,00
CZ	IT RTBR 304 CZ	1.382,00
US	IT RTBR 304 US	1.382,00
UZ	IT RTBR 304 UZ	1.382,00
KK	IT RTBR 304 KK	1.382,00
DD	IT RTBR 304 DD	1.864,00
DZ	IT RTBR 304 DZ	1.864,00
SZ	IT RTBR 304 SZ	1.864,00

Soffione a soffitto ad incasso con pioggia nebulizzatori
Concealed showerhead with rain and mist
Douche de tête à encastrer, fixation au plafond, pluie et brumisateurs
UP Brause mit Regen und Zerstäuber

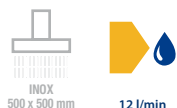


Showers & Thermostatics

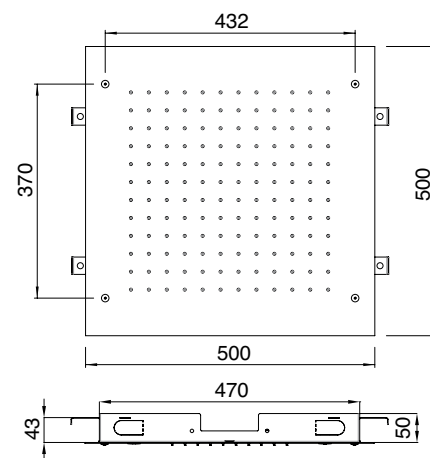


CC	IT RTBR 302 CC	921,00
NN	IT RTBR 302 NN	1.224,00
BB	IT RTBR 302 BB	1.224,00
NL	IT RTBR 302 NL	1.196,00
NF	IT RTBR 302 NF	1.196,00
HH	IT RTBR 302 HH	1.418,00
CZ	IT RTBR 302 CZ	1.418,00
US	IT RTBR 302 US	1.418,00
UZ	IT RTBR 302 UZ	1.418,00
KK	IT RTBR 302 KK	1.418,00
DD	IT RTBR 302 DD	1.913,00
DZ	IT RTBR 302 DZ	1.913,00
SZ	IT RTBR 302 SZ	1.913,00

Soffione a soffitto ad incasso
Concealed shower-head
Douche de tête à encastrer, fixation au plafond
UP-Kopfbrause



INOX
500 x 500 mm 12 l/min

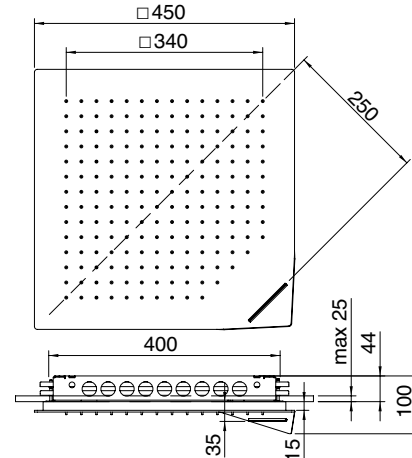


CC	IT RTBR 407 CC	1.165,00
NN	IT RTBR 407 NN	1.550,00
BB	IT RTBR 407 BB	1.550,00
NL	IT RTBR 407 NL	1.515,00
NF	IT RTBR 407 NF	1.515,00
HH	IT RTBR 407 HH	1.794,00
CZ	IT RTBR 407 CZ	1.794,00
US	IT RTBR 407 US	1.794,00
UZ	IT RTBR 407 UZ	1.794,00
KK	IT RTBR 407 KK	1.794,00
DD	IT RTBR 407 DD	2.423,00
DZ	IT RTBR 407 DZ	2.423,00
SZ	IT RTBR 407 SZ	2.423,00

Soffione per controsoffitto 450 x 450 mm
Headshower for countertop 450 x 450 mm
Douche de tête au plafond 450 x 450 mm
Deckenmontierte Kopfbrause 450 x 450 mm



INOX
450 x 450 mm 12 l/min 15 l/min

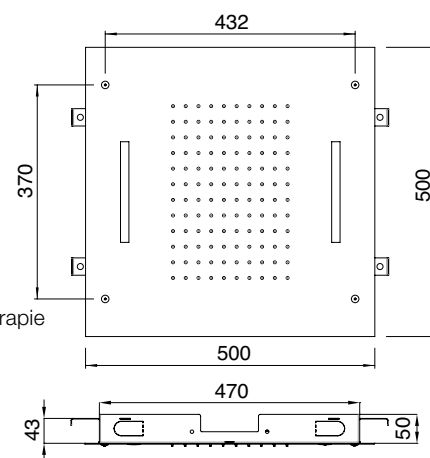


CC	IT RTBR 305 CC	1.744,00
NN	IT RTBR 305 NN	2.320,00
BB	IT RTBR 305 BB	2.320,00
NL	IT RTBR 305 NL	2.268,00
NF	IT RTBR 305 NF	2.268,00
HH	IT RTBR 305 HH	2.687,00
CZ	IT RTBR 305 CZ	2.687,00
US	IT RTBR 305 US	2.687,00
UZ	IT RTBR 305 UZ	2.687,00
KK	IT RTBR 305 KK	2.687,00
DD	IT RTBR 305 DD	3.628,00
DZ	IT RTBR 305 DZ	3.628,00
SZ	IT RTBR 305 SZ	3.628,00

Soffione a soffitto ad incasso con pioggia e cromoterapia
Concealed showerhead with rain and chromotherapy
Douche de tête à encastrer, fixation au plafond, pluie et chromothérapie
UP Brause mit Regen und Farbtherapie



INOX
500 x 500 mm LED 9 l/min INCLUDED
RWIT 6548 ZZ 02

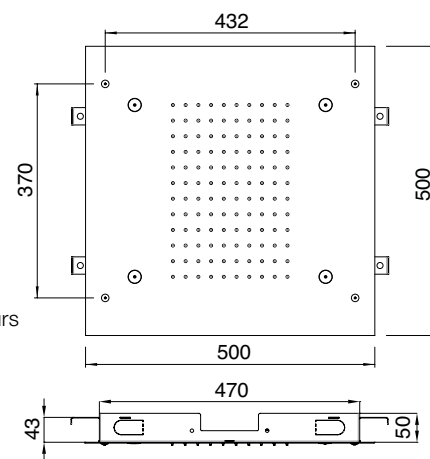


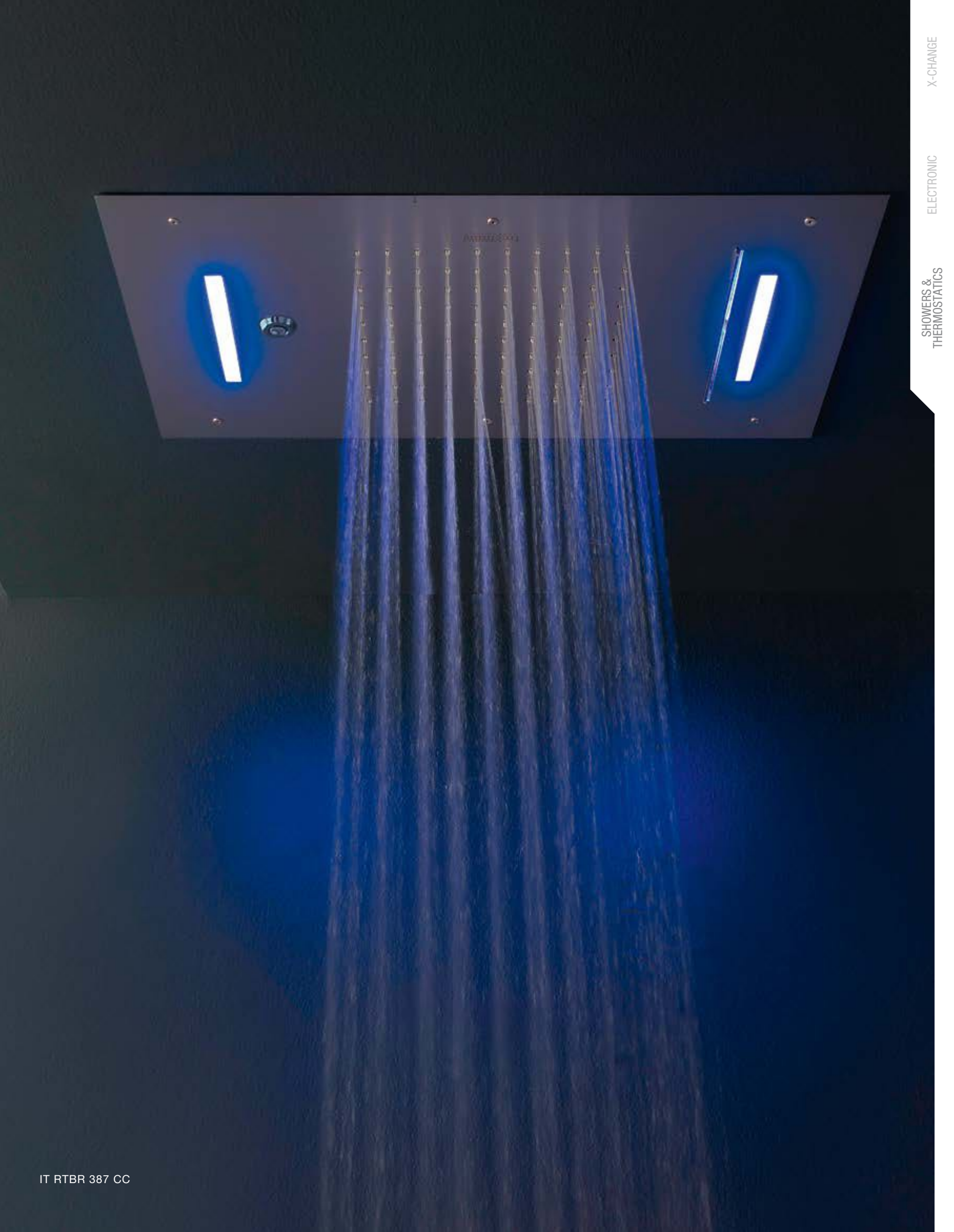
CC	IT RTBR 307 CC	968,00
NN	IT RTBR 307 NN	1.287,00
BB	IT RTBR 307 BB	1.287,00
NL	IT RTBR 307 NL	1.258,00
NF	IT RTBR 307 NF	1.258,00
HH	IT RTBR 307 HH	1.491,00
CZ	IT RTBR 307 CZ	1.491,00
US	IT RTBR 307 US	1.491,00
UZ	IT RTBR 307 UZ	1.491,00
KK	IT RTBR 307 KK	1.491,00
DD	IT RTBR 307 DD	2.013,00
DZ	IT RTBR 307 DZ	2.013,00
SZ	IT RTBR 307 SZ	2.013,00

Soffione a soffitto ad incasso con pioggia nebulizzatori
Concealed showerhead with rain and mist
Douche de tête à encastrer, fixation au plafond, pluie et brumisateurs
UP Brause mit Regen und Zerstäuber



INOX
500 x 500 mm 9 l/min 20 l/min









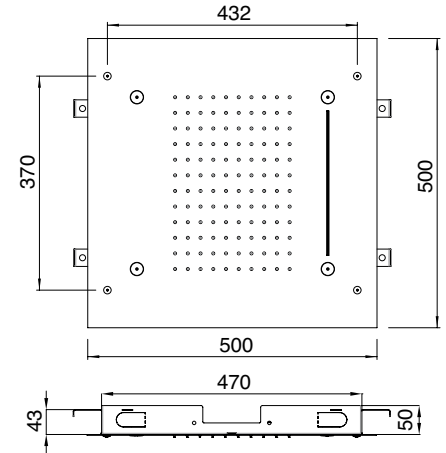
CC	IT RTBR 308 CC	1.111,00
NN	IT RTBR 308 NN	1.476,00
BB	IT RTBR 308 BB	1.476,00
NL	IT RTBR 308 NL	1.444,00
NF	IT RTBR 308 NF	1.444,00
HH	IT RTBR 308 HH	1.710,00
CZ	IT RTBR 308 CZ	1.710,00
DD	IT RTBR 308 DD	2.310,00
DZ	IT RTBR 308 DZ	2.310,00
SZ	IT RTBR 308 SZ	2.310,00

Soffione a soffitto ad incasso con pioggia, cascata e nebulizzatori

Concealed showerhead with rain, cascade and mist

Douche de tête à encastrer, fixation au plafond, pluie, cascade et brumisateurs

UP Brause mit Regen, Wasserfall und Zerstäuber



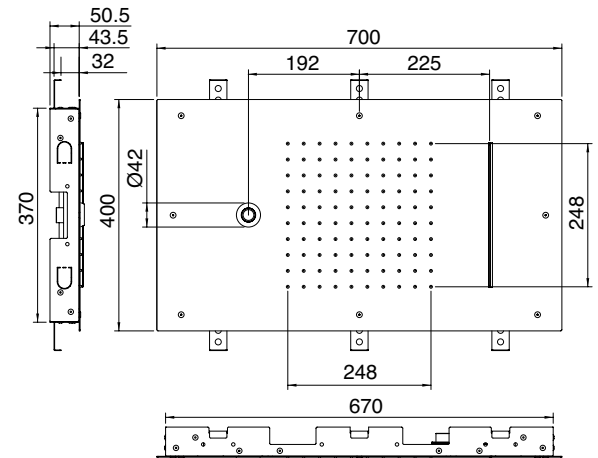
CC	IT RTBR 385 CC	1.442,00
NN	IT RTBR 385 NN	1.918,00
BB	IT RTBR 385 BB	1.918,00
NL	IT RTBR 385 NL	1.875,00
NF	IT RTBR 385 NF	1.875,00
HH	IT RTBR 385 HH	2.221,00
CZ	IT RTBR 385 CZ	2.221,00
US	IT RTBR 385 US	2.221,00
UZ	IT RTBR 385 UZ	2.221,00
KK	IT RTBR 385 KK	2.221,00
DD	IT RTBR 385 DD	3.000,00
DZ	IT RTBR 385 DZ	3.000,00
SZ	IT RTBR 385 SZ	3.000,00

Soffione a soffitto ad incasso con pioggia, cascata e getto

Concealed showerhead with rain, cascade and water jet

Douche de tête à encastrer, fixation au plafond, pluie, cascade et jet

UP Brause mit Regen und Wasserfall



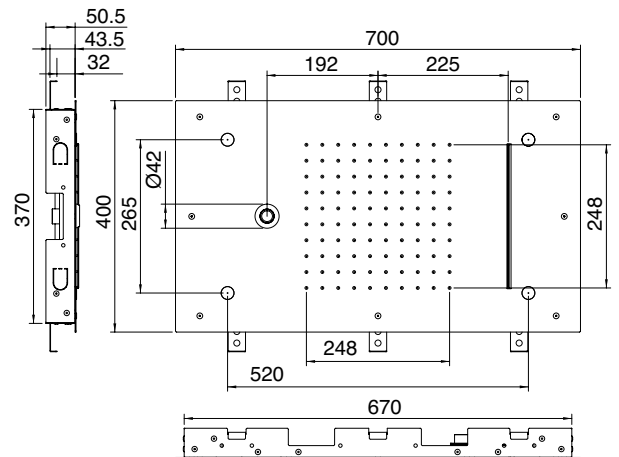
CC	IT RTBR 386 CC	1.463,00
NN	IT RTBR 386 NN	1.946,00
BB	IT RTBR 386 BB	1.946,00
NL	IT RTBR 386 NL	1.902,00
NF	IT RTBR 386 NF	1.902,00
HH	IT RTBR 386 HH	2.253,00
CZ	IT RTBR 386 CZ	2.253,00
DD	IT RTBR 386 DD	3.043,00
DZ	IT RTBR 386 DZ	3.043,00
SZ	IT RTBR 386 SZ	3.043,00

Soffione a soffitto ad incasso con pioggia, cascata, nebulizzatori e getto

Concealed showerhead with rain, cascade, mist and water jet

Douche de tête à encastrer, fixation au plafond, pluie, cascade, brumisateurs et jet

UP Brause mit Regen, Wasserfall und Zerstäuber

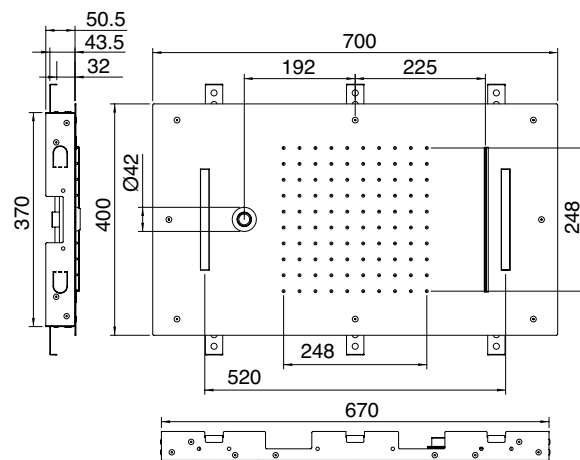


Showers & Thermostatics



CC	IT RTBR 387 CC	2.266,00
NN	IT RTBR 387 NN	3.014,00
BB	IT RTBR 387 BB	3.014,00
NL	IT RTBR 387 NL	2.946,00
NF	IT RTBR 387 NF	2.946,00
HH	IT RTBR 387 HH	3.490,00
CZ	IT RTBR 387 CZ	3.490,00
US	IT RTBR 387 US	3.490,00
UZ	IT RTBR 387 UZ	3.490,00
KK	IT RTBR 387 KK	3.490,00
DD	IT RTBR 387 DD	4.714,00
DZ	IT RTBR 387 DZ	4.714,00
SZ	IT RTBR 387 SZ	4.714,00

Soffione a soffitto ad incasso con pioggia, cascata, getto e cromoterapia
 Concealed showerhead with rain, cascade, chromotherapy and water jet
 Douche de tête à encastrer, fixation au plafond, pluie, cascade, chromothérapie et jet
 UP Brause mit Regen, Wasserfall und Farbtherapie

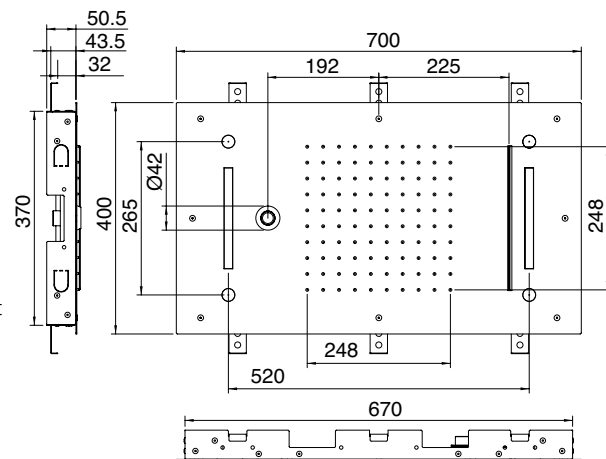


INCLUDED
RWIT 6548 ZZ 02



CC	IT RTBR 388 CC	2.287,00
NN	IT RTBR 388 NN	3.042,00
BB	IT RTBR 388 BB	3.042,00
NL	IT RTBR 388 NL	2.973,00
NF	IT RTBR 388 NF	2.973,00
HH	IT RTBR 388 HH	3.522,00
CZ	IT RTBR 388 CZ	3.522,00
DD	IT RTBR 388 DD	4.757,00
DZ	IT RTBR 388 DZ	4.757,00
SZ	IT RTBR 388 SZ	4.757,00

Soffione a soffitto ad incasso con pioggia, cascata, nebulizzatori, getto e cromoterapia
 Concealed showerhead with rain, cascade, chromotherapy, mist and water jet
 Douche de tête à encastrer, fixation au plafond, pluie, cascade, chromothérapie, brumisateurs et jet
 UP Brause mit Regen, Wasserfall, Farbtherapie und Zerstäuber

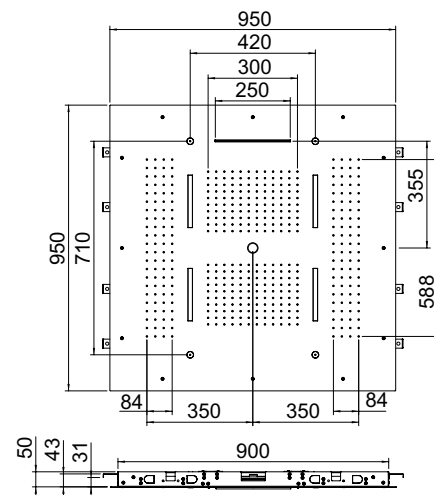


INCLUDED
RWIT 6548 ZZ 02

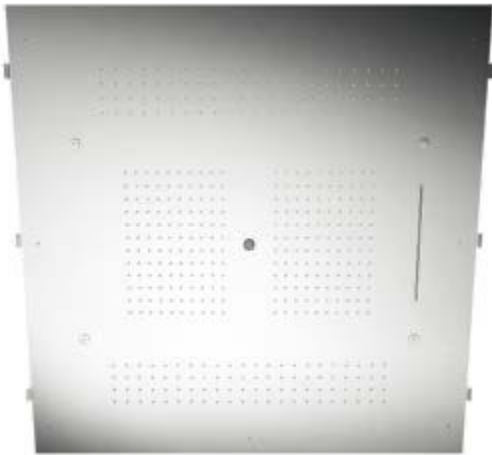


CC	IT RTBR 389 CC	5.408,00
NN	IT RTBR 389 NN	7.193,00
BB	IT RTBR 389 BB	7.193,00
NL	IT RTBR 389 NL	7.030,00
NF	IT RTBR 389 NF	7.030,00
HH	IT RTBR 389 HH	8.328,00
CZ	IT RTBR 389 CZ	8.328,00
DD	IT RTBR 389 DD	11.248,00
DZ	IT RTBR 389 DZ	11.248,00
SZ	IT RTBR 389 SZ	11.248,00

Soffione a soffitto ad incasso con pioggia, cascata, nebulizzatori, getto e cromoterapia
 Concealed showerhead with rain, cascade, chromotherapy, mist and water jet
 Douche de tête à encastrer, fixation au plafond, pluie, cascade, chromothérapie, brumisateurs et jet
 UP Brause mit Regen, Wasserfall, Farbtherapie und Zerstäuber



INCLUDED
RWIT 6548 ZZ 02



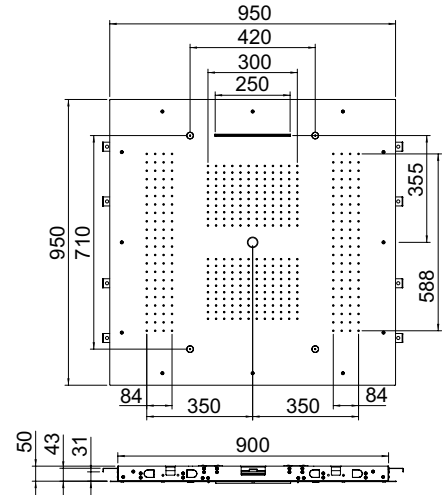
CC	IT RTBR 390 CC	4.481,00
NN	IT RTBR 390 NN	5.960,00
BB	IT RTBR 390 BB	5.960,00
NL	IT RTBR 390 NL	5.825,00
NF	IT RTBR 390 NF	5.825,00
HH	IT RTBR 390 HH	6.900,00
CZ	IT RTBR 390 CZ	6.900,00
DD	IT RTBR 390 DD	9.320,00
DZ	IT RTBR 390 DZ	9.320,00
SZ	IT RTBR 390 SZ	9.320,00

Soffione a soffitto ad incasso con pioggia, cascata, nebulizzatori e getto

Concealed showerhead with rain, cascade, mist and water jet

Douche de tête à encastrer, fixation au plafond, pluie, cascade, brumisateurs et jet

UP Brause mit Regen, Wasserfall und Zerstäuber



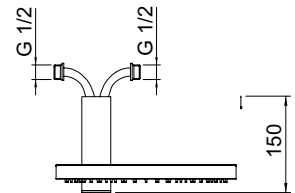
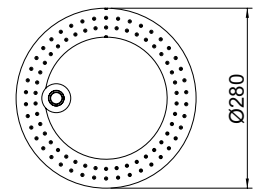
CC	IT 9B91 CC ZZ ZZ	1.231,00
NN	IT 9B91 NN ZZ ZZ	1.638,00
BB	IT 9B91 BB ZZ ZZ	1.638,00
NL	IT 9B91 NL ZZ ZZ	1.601,00
NF	IT 9B91 NF ZZ ZZ	1.601,00
HH	IT 9B91 HH ZZ ZZ	1.897,00
CZ	IT 9B91 CZ ZZ ZZ	1.897,00
DD	IT 9B91 DD ZZ ZZ	2.561,00
DZ	IT 9B91 DZ ZZ ZZ	2.561,00
SZ	IT 9B91 SZ ZZ ZZ	2.561,00

Soffione a soffitto anticalcare

Ceiling anti-limescale shower-head

Douche de tête anticalcaire avec bras au plafond

Antikalk Regenbrause mit Deckenanbindung



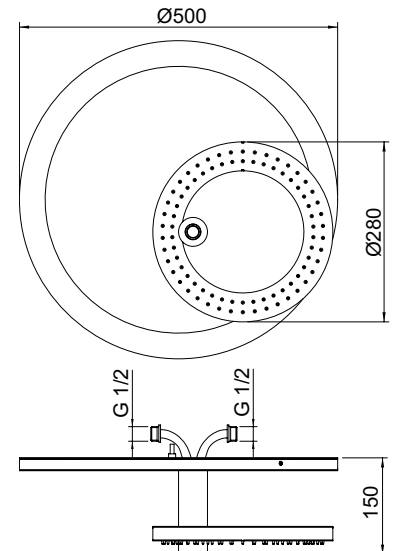
CC	IT 9B91 CC ZZ LD	1.515,00
NN	IT 9B91 NN ZZ LD	2.015,00
BB	IT 9B91 BB ZZ LD	2.015,00
NL	IT 9B91 NL ZZ LD	1.969,00
NF	IT 9B91 NF ZZ LD	1.969,00
HH	IT 9B91 HH ZZ LD	2.332,00
CZ	IT 9B91 CZ ZZ LD	2.332,00
DD	IT 9B91 DD ZZ LD	3.150,00
DZ	IT 9B91 DZ ZZ LD	3.150,00
SZ	IT 9B91 SZ ZZ LD	3.150,00

Soffione a soffitto anticalcare + LED

Ceiling anti-limescale shower-head + LED

Douche de tête anticalcaire avec bras au plafond + LED

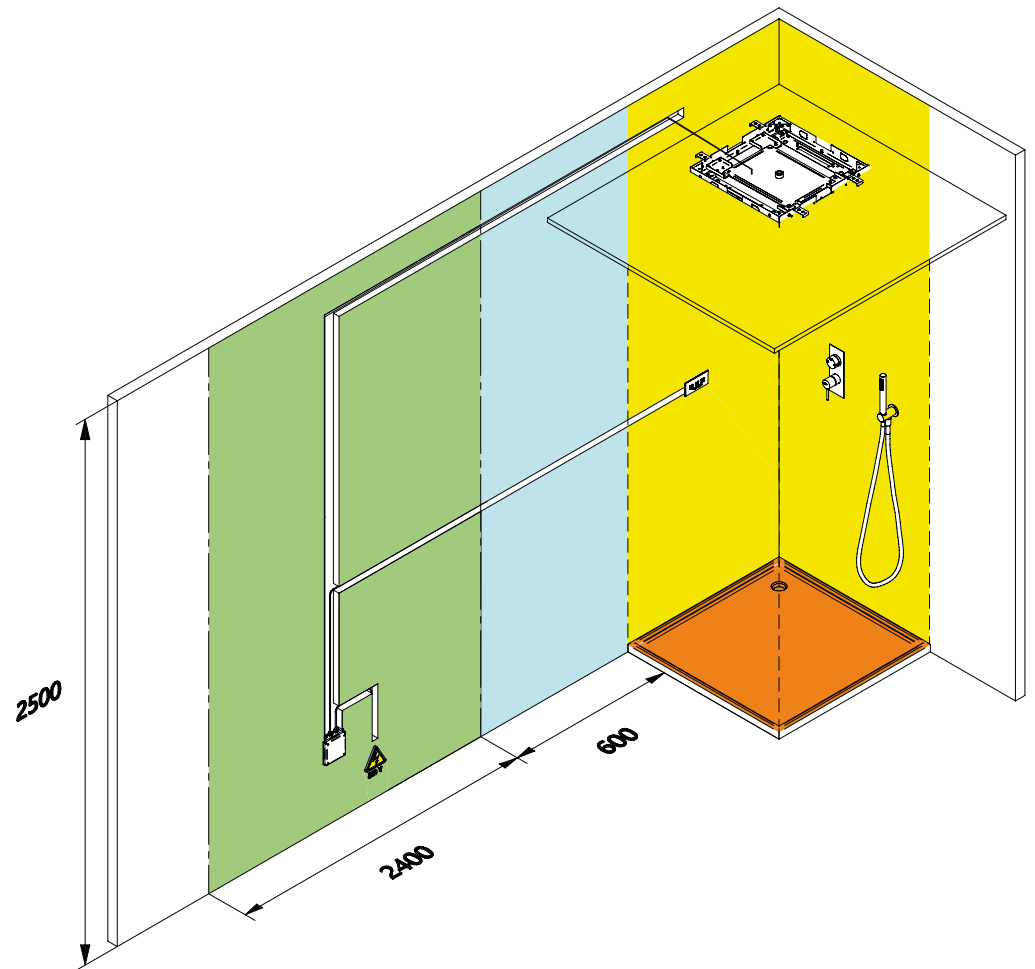
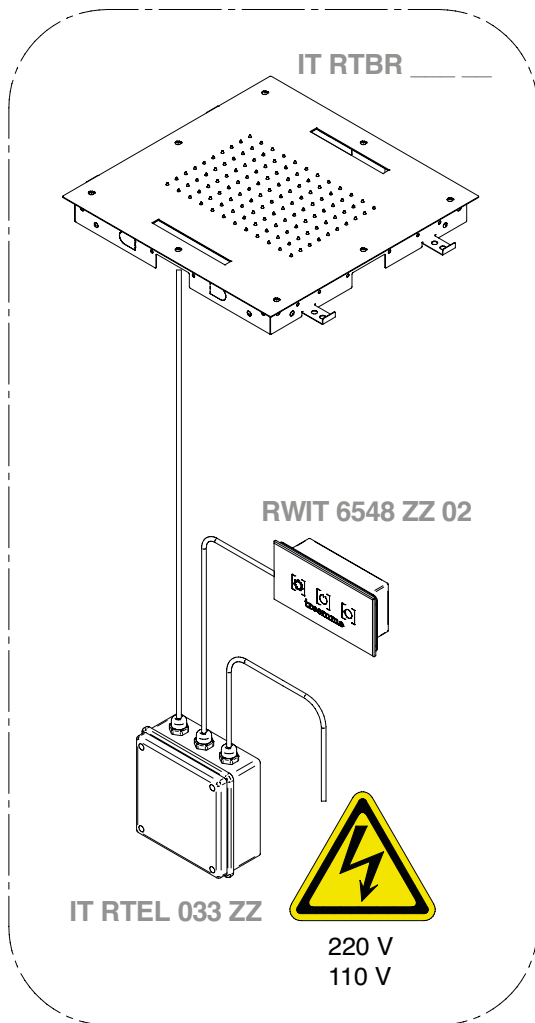
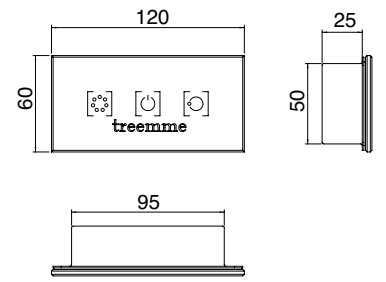
Antikalk Regenbrause mit Deckenanbindung + LED



Showers & Thermostatics

ZZ RWIT 6548 ZZ 02 725,00

Tastierino di comando soffioni fashion (Ricambio)
 Keypad for headshower (Spare part)
 Pave pour douche de tete (Pièce de rechange)
 Bedientaste für Kopfbrause (Ersatz)

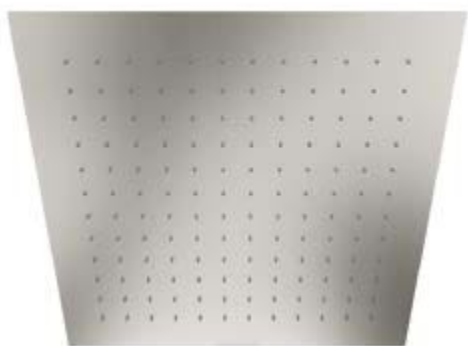


Showers & Thermostatics

X-CHANGE

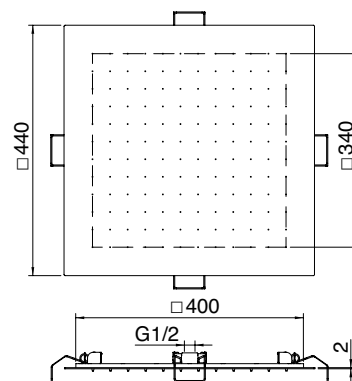
ELECTRONIC

SHOWERS & THERMOSTATICS



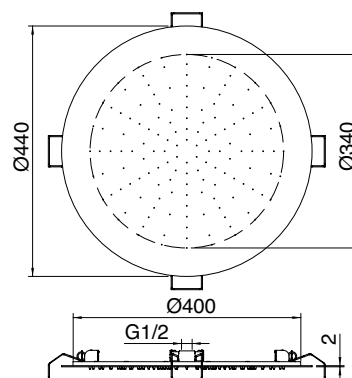
CC	IT RTBR 384 CC	778,00
NN	IT RTBR 384 NN	1.036,00
BB	IT RTBR 384 BB	1.036,00
NL	IT RTBR 384 NL	1.012,00
NF	IT RTBR 384 NF	1.012,00
HH	IT RTBR 384 HH	1.198,00
CZ	IT RTBR 384 CZ	1.198,00
US	IT RTBR 384 US	1.198,00
UZ	IT RTBR 384 UZ	1.198,00
KK	IT RTBR 384 KK	1.198,00
DD	IT RTBR 384 DD	1.619,00
DZ	IT RTBR 384 DZ	1.619,00
SZ	IT RTBR 384 SZ	1.619,00

Soffione per controsoffitto 440 x 440 mm
 Headshower for countertop 440 x 440 mm
 Douche de tête au plafond 440 x 440 mm
 Deckenmontierte Kopfbrause 440 x 440 mm



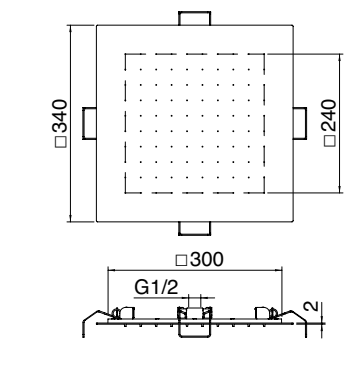
CC	IT RTBR 383 CC	625,00
NN	IT RTBR 383 NN	832,00
BB	IT RTBR 383 BB	832,00
NL	IT RTBR 383 NL	812,00
NF	IT RTBR 383 NF	812,00
HH	IT RTBR 383 HH	963,00
CZ	IT RTBR 383 CZ	963,00
US	IT RTBR 383 US	963,00
UZ	IT RTBR 383 UZ	963,00
KK	IT RTBR 383 KK	963,00
DD	IT RTBR 383 DD	1.299,00
DZ	IT RTBR 383 DZ	1.299,00
SZ	IT RTBR 383 SZ	1.299,00

Soffione per controsoffitto Ø440 mm
 Headshower for countertop Ø440 mm
 Douche de tête au plafond Ø440 mm
 Deckenmontierte Kopfbrause Ø440 mm



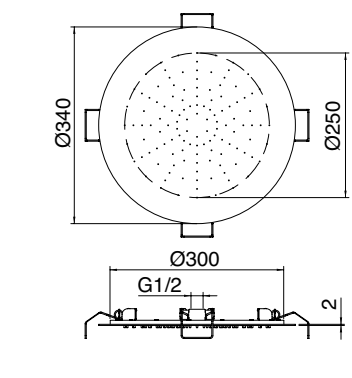
CC	IT RTBR 399 CC	562,00
NN	IT RTBR 399 NN	747,00
BB	IT RTBR 399 BB	747,00
NL	IT RTBR 399 NL	731,00
NF	IT RTBR 399 NF	731,00
HH	IT RTBR 399 HH	866,00
CZ	IT RTBR 399 CZ	866,00
US	IT RTBR 399 US	866,00
UZ	IT RTBR 399 UZ	866,00
KK	IT RTBR 399 KK	866,00
DD	IT RTBR 399 DD	1.169,00
DZ	IT RTBR 399 DZ	1.169,00
SZ	IT RTBR 399 SZ	1.169,00

Soffione per controsoffitto 340 x 340 mm
 Headshower for countertop 340 x 340 mm
 Douche de tête au plafond 340 x 340 mm
 Deckenmontierte Kopfbrause 340 x 340 mm

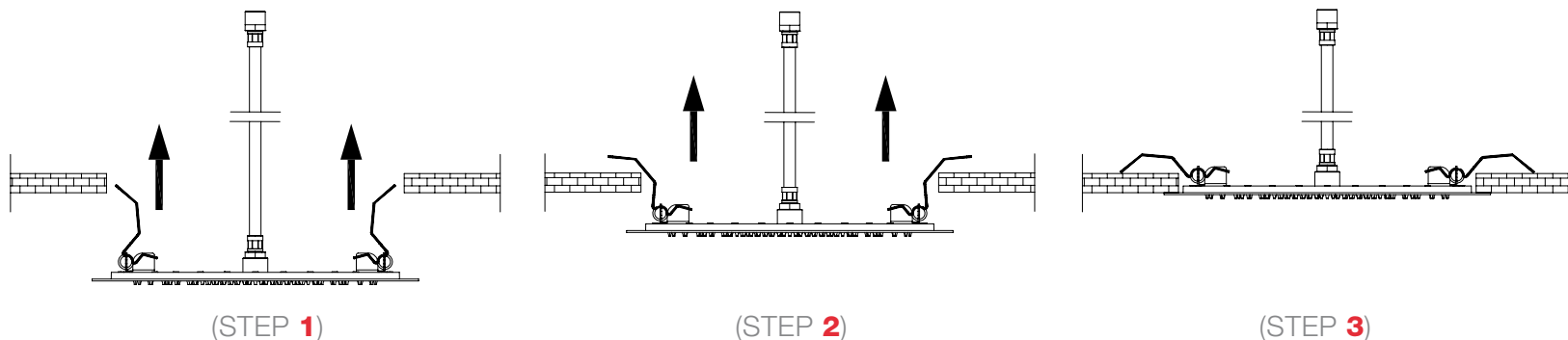


CC	IT RTBR 398 CC	512,00
NN	IT RTBR 398 NN	681,00
BB	IT RTBR 398 BB	681,00
NL	IT RTBR 398 NL	666,00
NF	IT RTBR 398 NF	666,00
HH	IT RTBR 398 HH	789,00
CZ	IT RTBR 398 CZ	789,00
US	IT RTBR 398 US	789,00
UZ	IT RTBR 398 UZ	789,00
KK	IT RTBR 398 KK	789,00
DD	IT RTBR 398 DD	1.066,00
DZ	IT RTBR 398 DZ	1.066,00
SZ	IT RTBR 398 SZ	1.066,00

Soffione per controsoffitto Ø340 mm
 Headshower for countertop Ø340 mm
 Douche de tête au plafond Ø340 mm
 Deckenmontierte Kopfbrause Ø340 mm



SCHEMA DI MONTAGGIO - ASSEMBLY DIAGRAM - SCHÉMA DE MONTAGE - MONTAGEPLAN

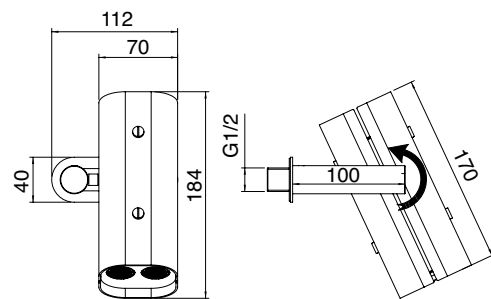


Showers & Thermostatics



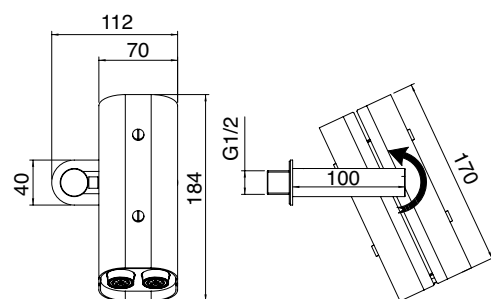
CC	IT 9B70 CC ZZ ZZ	701,00
NN	IT 9B70 NN ZZ ZZ	933,00
BB	IT 9B70 BB ZZ ZZ	933,00
NL	IT 9B70 NL ZZ ZZ	911,00
NF	IT 9B70 NF ZZ ZZ	911,00
HH	IT 9B70 HH ZZ ZZ	1.080,00
CZ	IT 9B70 CZ ZZ ZZ	1.080,00
DD	IT 9B70 DD ZZ ZZ	1.458,00
DZ	IT 9B70 DZ ZZ ZZ	1.458,00
SZ	IT 9B70 SZ ZZ ZZ	1.458,00

Soffione a parete anticalcare
Anti-limescale shower-head
Douche de tête anticalcaire avec bras mural
Antikalk Kopfbrause mit Arm



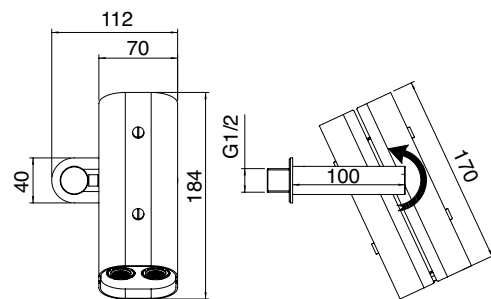
CC	IT 9B70 CC ZZ TJ	701,00
NN	IT 9B70 NN ZZ TJ	933,00
BB	IT 9B70 BB ZZ TJ	933,00
NL	IT 9B70 NL ZZ TJ	911,00
NF	IT 9B70 NF ZZ TJ	911,00
HH	IT 9B70 HH ZZ TJ	1.080,00
CZ	IT 9B70 CZ ZZ TJ	1.080,00
DD	IT 9B70 DD ZZ TJ	1.458,00
DZ	IT 9B70 DZ ZZ TJ	1.458,00
SZ	IT 9B70 SZ ZZ TJ	1.458,00

Soffione a parete anticalcare
Anti-limescale shower-head
Douche de tête anticalcaire avec bras mural
Antikalk Kopfbrause mit Arm



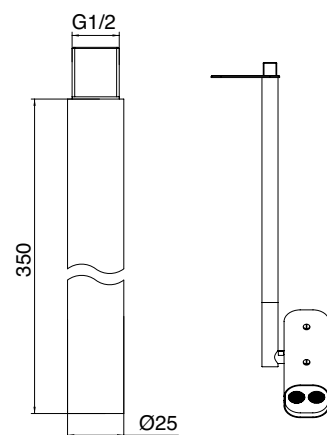
CC	IT 9B70 CC ZZ CR	701,00
NN	IT 9B70 NN ZZ CR	933,00
BB	IT 9B70 BB ZZ CR	933,00
NL	IT 9B70 NL ZZ CR	911,00
NF	IT 9B70 NF ZZ CR	911,00
HH	IT 9B70 HH ZZ CR	1.080,00
CZ	IT 9B70 CZ ZZ CR	1.080,00
DD	IT 9B70 DD ZZ CR	1.458,00
DZ	IT 9B70 DZ ZZ CR	1.458,00
SZ	IT 9B70 SZ ZZ CR	1.458,00

Soffione a parete anticalcare
Anti-limescale shower-head
Douche de tête anticalcaire avec bras mural
Antikalk Kopfbrause mit Arm

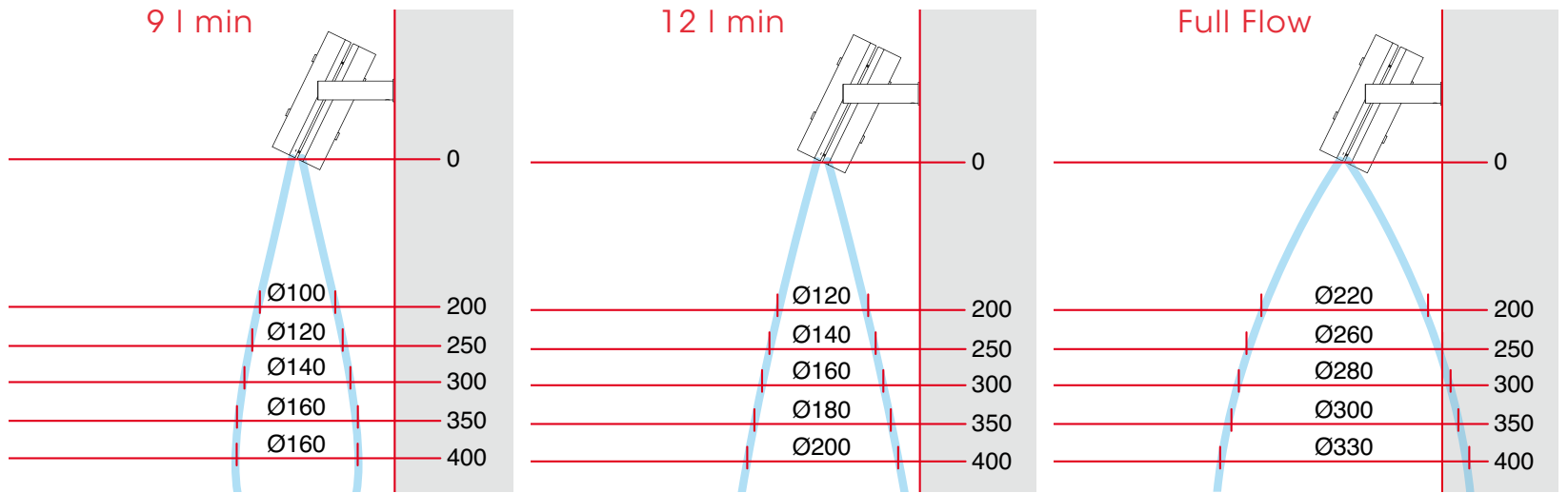


CC	RWIT 9B70 CC 50	62,00
NN	RWIT 9B70 NN 50	83,00
BB	RWIT 9B70 BB 50	83,00
NL	RWIT 9B70 NL 50	81,00
NF	RWIT 9B70 NF 50	81,00
HH	RWIT 9B70 HH 50	96,00
CZ	RWIT 9B70 CZ 50	96,00
DD	RWIT 9B70 DD 50	129,00
DZ	RWIT 9B70 DZ 50	129,00
SZ	RWIT 9B70 SZ 50	129,00

Prolunga per soffitto
Extention kit for ceiling spout
Allonge pour bras de plafond
Verlängerungskabel für decke



Showers & Thermostatics



X-CHANGE

ELECTRONIC

SHOWERS & THERMOSTATICS



Showers & Thermostatics

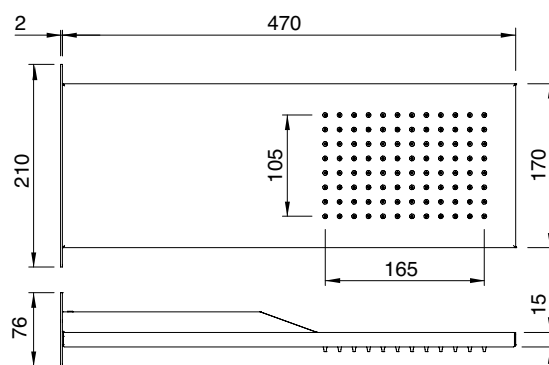


CC	IT RTBR 382 CC	482,00
NN	IT RTBR 382 NN	640,00
BB	IT RTBR 382 BB	640,00
NL	IT RTBR 382 NL	626,00
NF	IT RTBR 382 NF	626,00
HH	IT RTBR 382 HH	740,00
CZ	IT RTBR 382 CZ	740,00
US	IT RTBR 382 US	740,00
UZ	IT RTBR 382 UZ	740,00
KK	IT RTBR 382 KK	740,00
DD	IT RTBR 382 DD	1.001,00
DZ	IT RTBR 382 DZ	1.001,00
SZ	IT RTBR 382 SZ	1.001,00

Soffione a parete
Shower-head
Douche
Regenbrause



INOX 470 x 170 mm 1/2 M 9 l/min

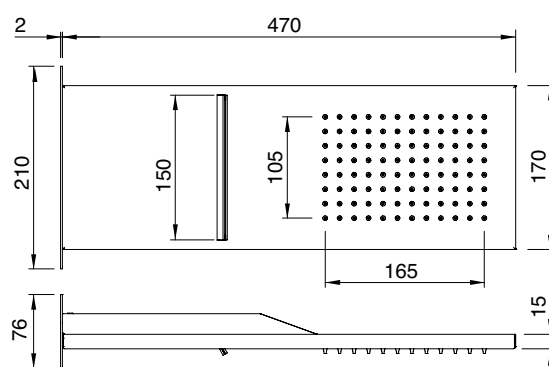


CC	IT RTBR 381 CC	530,00
NN	IT RTBR 381 NN	705,00
BB	IT RTBR 381 BB	705,00
NL	IT RTBR 381 NL	690,00
NF	IT RTBR 381 NF	690,00
HH	IT RTBR 381 HH	817,00
CZ	IT RTBR 381 CZ	817,00
US	IT RTBR 381 US	817,00
UZ	IT RTBR 381 UZ	817,00
KK	IT RTBR 381 KK	817,00
DD	IT RTBR 381 DD	1.103,00
DZ	IT RTBR 381 DZ	1.103,00
SZ	IT RTBR 381 SZ	1.103,00

Soffione a parete con cascata
Shower-head with cascade
Douche avec cascade
Regenbrause mit Wasserfall



INOX 470 x 170 mm x 2 1/2 M 9 l/min 15 l/min

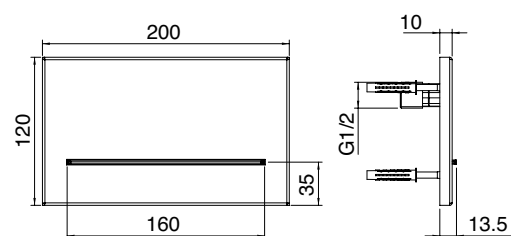


CC	RWIT 6573 CC 05	536,00
NN	RWIT 6573 NN 05	713,00
BB	RWIT 6573 BB 05	713,00
NL	RWIT 6573 NL 05	697,00
NF	RWIT 6573 NF 05	697,00
HH	RWIT 6573 HH 05	826,00
CZ	RWIT 6573 CZ 05	826,00
DD	RWIT 6573 DD 05	1.115,00
DZ	RWIT 6573 DZ 05	1.115,00
SZ	RWIT 6573 SZ 05	1.115,00

Bocca ad incasso
Concealed spout
Bec à encastrer
UP-Einlauf



METAL 1/2 M 15 l/min



Showers & Thermostatics

X-CHANGE

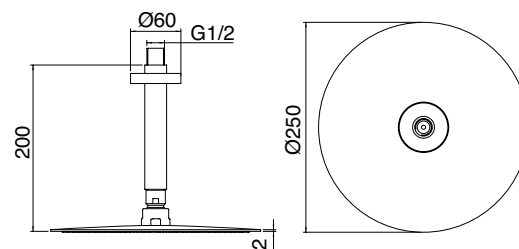
ELECTRONIC

SHOWERS & THERMOSTATICS

CC RWIT 6587 CC 20 218,00

Soffione a soffitto anticalcare
Ceiling anti-limescale shower-head
Douche de tête anticalcaire avec bras au plafond
Antikalk Regenbrause mit Deckenanbindung

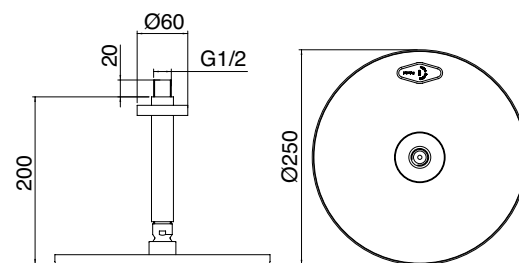
- FUNZIONA A BASSA PRESSIONE
- IT WORKS AT A LOW PRESSURE
- FONCTIONNEMENT À BASSE PRESSION
- FUNKTIONALITÄT AUCH MIT WENIG WASSERDRUCK



METAL 250 mm 9 l/min 1/2 M

- | | | |
|-----------|------------------|--------|
| CC | IT 6587 CC ZZ VS | 292,00 |
| NN | IT 6587 NN ZZ VS | 388,00 |
| BB | IT 6587 BB ZZ VS | 388,00 |
| NL | IT 6587 NL ZZ VS | 380,00 |
| NF | IT 6587 NF ZZ VS | 380,00 |
| HH | IT 6587 HH ZZ VS | 449,00 |
| CZ | IT 6587 CZ ZZ VS | 449,00 |
| US | IT 6587 US ZZ VS | 449,00 |
| UZ | IT 6587 UZ ZZ VS | 449,00 |
| KK | IT 6587 KK ZZ VS | 449,00 |
| DD | IT 6587 DD ZZ VS | 606,00 |
| DZ | IT 6587 DZ ZZ VS | 606,00 |
| SZ | IT 6587 SZ ZZ VS | 606,00 |

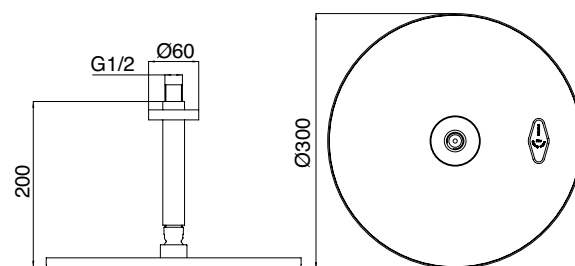
Soffione a soffitto anticalcare
Ceiling anti-limescale shower-head
Douche de tête anticalcaire avec bras au plafond
Antikalk Regenbrause mit Deckenanbindung



METAL 250 mm 9 l/min 1/2 M

- | | | |
|-----------|------------------|--------|
| CC | IT 6511 CC ZZ VS | 347,00 |
| NN | IT 6511 NN ZZ VS | 462,00 |
| BB | IT 6511 BB ZZ VS | 462,00 |
| NL | IT 6511 NL ZZ VS | 451,00 |
| NF | IT 6511 NF ZZ VS | 451,00 |
| HH | IT 6511 HH ZZ VS | 535,00 |
| CZ | IT 6511 CZ ZZ VS | 535,00 |
| US | IT 6511 US ZZ VS | 535,00 |
| UZ | IT 6511 UZ ZZ VS | 535,00 |
| KK | IT 6511 KK ZZ VS | 535,00 |
| DD | IT 6511 DD ZZ VS | 721,00 |
| DZ | IT 6511 DZ ZZ VS | 721,00 |
| SZ | IT 6511 SZ ZZ VS | 721,00 |

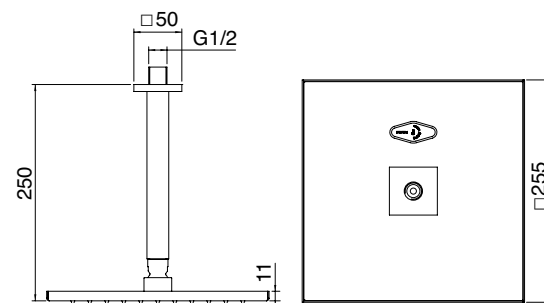
Soffione a soffitto anticalcare
Ceiling anti-limescale shower-head
Douche de tête anticalcaire avec bras au plafond
Antikalk Regenbrause mit Deckenanbindung



METAL 300 mm 9 l/min 1/2 M

- | | | |
|-----------|------------------|--------|
| CC | IT 0496 CC ZZ ZZ | 300,00 |
| NN | IT 0496 NN ZZ ZZ | 400,00 |
| BB | IT 0496 BB ZZ ZZ | 400,00 |
| NL | IT 0496 NL ZZ ZZ | 391,00 |
| NF | IT 0496 NF ZZ ZZ | 391,00 |
| HH | IT 0496 HH ZZ ZZ | 463,00 |
| CZ | IT 0496 CZ ZZ ZZ | 463,00 |
| US | IT 0496 US ZZ ZZ | 463,00 |
| UZ | IT 0496 UZ ZZ ZZ | 463,00 |
| KK | IT 0496 KK ZZ ZZ | 463,00 |
| DD | IT 0496 DD ZZ ZZ | 624,00 |
| DZ | IT 0496 DZ ZZ ZZ | 624,00 |
| SZ | IT 0496 SZ ZZ ZZ | 624,00 |

Soffione a soffitto anticalcare
Ceiling anti-limescale shower-head
Douche de tête anticalcaire avec bras au plafond
Antikalk Regenbrause mit Deckenanbindung



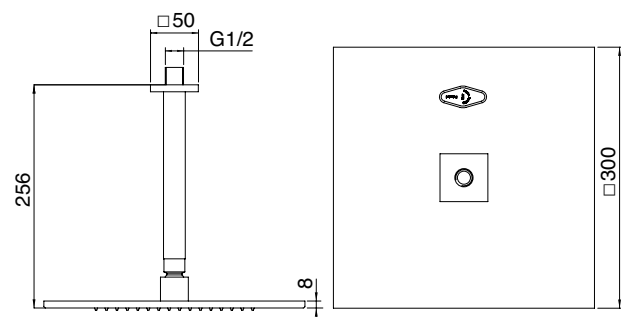
METAL 250 mm 9 l/min 1/2 M

Showers & Thermostatics



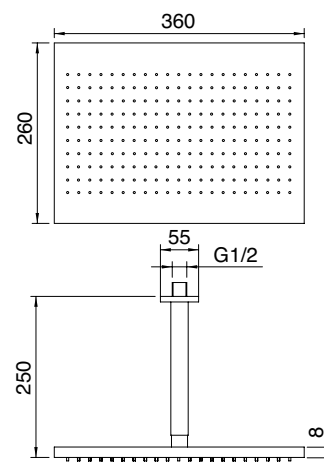
CC	IT 6510 CC ZZ ZZ	348,00
NN	IT 6510 NN ZZ ZZ	463,00
BB	IT 6510 BB ZZ ZZ	463,00
NL	IT 6510 NL ZZ ZZ	453,00
NF	IT 6510 NF ZZ ZZ	453,00
HH	IT 6510 HH ZZ ZZ	536,00
CZ	IT 6510 CZ ZZ ZZ	536,00
US	IT 6510 US ZZ ZZ	536,00
UZ	IT 6510 UZ ZZ ZZ	536,00
KK	IT 6510 KK ZZ ZZ	536,00
DD	IT 6510 DD ZZ ZZ	724,00
DZ	IT 6510 DZ ZZ ZZ	724,00
SZ	IT 6510 SZ ZZ ZZ	724,00

Soffione a soffitto anticalcare
Ceiling anti-limescale shower-head
Douche de tête anticalcaire avec bras au plafond
Antikalk Regenbrause mit Deckenanbindung



CC	IT 6591 CC ZZ ZZ	372,00
NN	IT 6591 NN ZZ ZZ	495,00
BB	IT 6591 BB ZZ ZZ	495,00
NL	IT 6591 NL ZZ ZZ	484,00
NF	IT 6591 NF ZZ ZZ	484,00
HH	IT 6591 HH ZZ ZZ	573,00
CZ	IT 6591 CZ ZZ ZZ	573,00
US	IT 6591 US ZZ ZZ	573,00
UZ	IT 6591 UZ ZZ ZZ	573,00
KK	IT 6591 KK ZZ ZZ	573,00
DD	IT 6591 DD ZZ ZZ	773,00
DZ	IT 6591 DZ ZZ ZZ	773,00
SZ	IT 6591 SZ ZZ ZZ	773,00

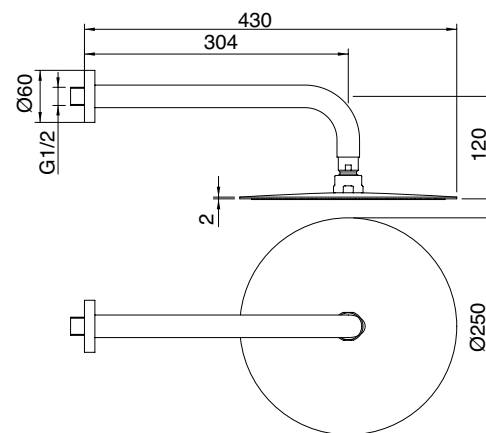
Soffione a soffitto anticalcare
Ceiling anti-limescale shower-head
Douche de tête anticalcaire à fixation au plafond
Antikalk Regenbrause mit Deckenanbindung



CC	RWIT 6586 CC 20	227,00
----	-----------------	--------

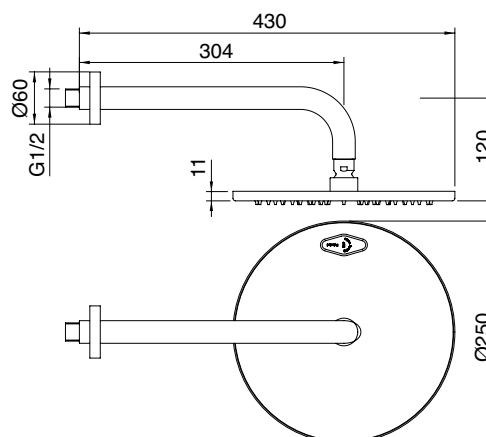
Soffione a parete anticalcare
Anti-limescale shower-head
Douche de tête anticalcaire avec bras mural
Antikalk Kopfbrause mit Arm

- FUNZIONA A BASSA PRESSIONE
- IT WORKS AT A LOW PRESSURE
- FONCTIONNEMENT À BASSE PRESSION
- FUNKTIONALITÄT AUCH MIT WENIG WASSERDRUCK



CC	IT 6586 CC ZZ VS	311,00
NN	IT 6586 NN ZZ VS	414,00
BB	IT 6586 BB ZZ VS	414,00
NL	IT 6586 NL ZZ VS	404,00
NF	IT 6586 NF ZZ VS	404,00
HH	IT 6586 HH ZZ VS	478,00
CZ	IT 6586 CZ ZZ VS	478,00
US	IT 6586 US ZZ VS	478,00
UZ	IT 6586 UZ ZZ VS	478,00
KK	IT 6586 KK ZZ VS	478,00
DD	IT 6586 DD ZZ VS	646,00
DZ	IT 6586 DZ ZZ VS	646,00
SZ	IT 6586 SZ ZZ VS	646,00

Soffione a parete anticalcare
Anti-limescale shower-head
Douche de tête anticalcaire avec bras mural
Antikalk Kopfbrause mit Arm



Showers & Thermostatics

X-CHANGE

ELECTRONIC

SHOWERS & THERMOSTATICS

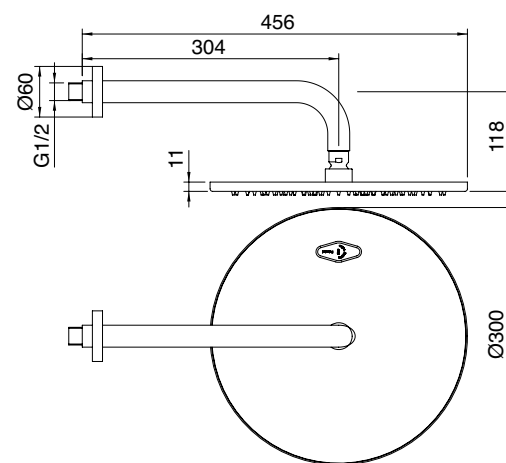


CC	IT 6512 CC ZZ VS	353,00
NN	IT 6512 NN ZZ VS	470,00
BB	IT 6512 BB ZZ VS	470,00
NL	IT 6512 NL ZZ VS	459,00
NF	IT 6512 NF ZZ VS	459,00
HH	IT 6512 HH ZZ VS	544,00
CZ	IT 6512 CZ ZZ VS	544,00
US	IT 6512 US ZZ VS	544,00
UZ	IT 6512 UZ ZZ VS	544,00
KK	IT 6512 KK ZZ VS	544,00
DD	IT 6512 DD ZZ VS	734,00
DZ	IT 6512 DZ ZZ VS	734,00
SZ	IT 6512 SZ ZZ VS	734,00

Soffione a parete anticalcare
Anti-limescale shower-head
Douche de tête anticalcaire avec bras mural
Antikalk Kopfbrause mit Arm



METAL 300 mm 9 l/min 1/2 M

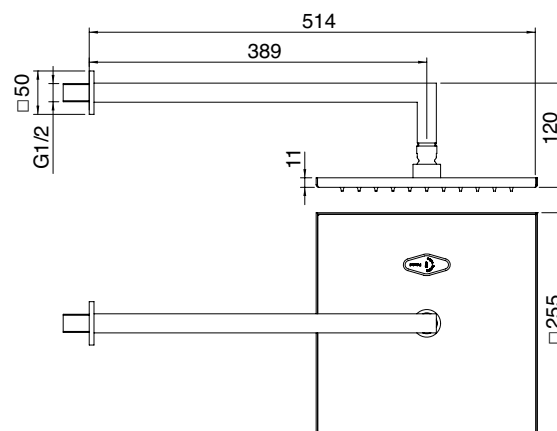


CC	IT 0486 CC ZZ ZZ	334,00
NN	IT 0486 NN ZZ ZZ	444,00
BB	IT 0486 BB ZZ ZZ	444,00
NL	IT 0486 NL ZZ ZZ	435,00
NF	IT 0486 NF ZZ ZZ	435,00
HH	IT 0486 HH ZZ ZZ	514,00
CZ	IT 0486 CZ ZZ ZZ	514,00
US	IT 0486 US ZZ ZZ	514,00
UZ	IT 0486 UZ ZZ ZZ	514,00
KK	IT 0486 KK ZZ ZZ	514,00
DD	IT 0486 DD ZZ ZZ	695,00
DZ	IT 0486 DZ ZZ ZZ	695,00
SZ	IT 0486 SZ ZZ ZZ	695,00

Soffione a parete anticalcare
Anti-limescale shower-head
Douche de tête anticalcaire avec bras mural
Antikalk Kopfbrause mit Arm



METAL 250 mm 9 l/min 1/2 M

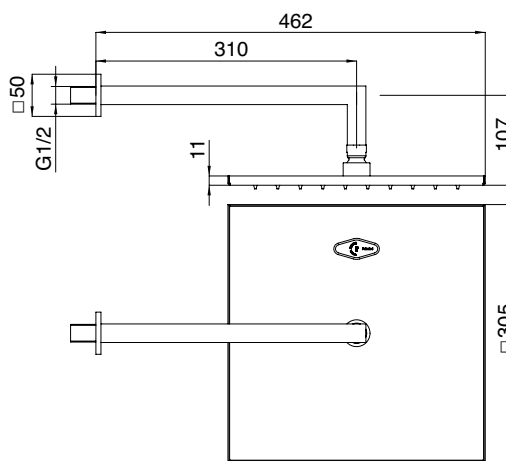


CC	IT 6515 CC ZZ ZZ	387,00
NN	IT 6515 NN ZZ ZZ	514,00
BB	IT 6515 BB ZZ ZZ	514,00
NL	IT 6515 NL ZZ ZZ	503,00
NF	IT 6515 NF ZZ ZZ	503,00
HH	IT 6515 HH ZZ ZZ	595,00
CZ	IT 6515 CZ ZZ ZZ	595,00
US	IT 6515 US ZZ ZZ	595,00
UZ	IT 6515 UZ ZZ ZZ	595,00
KK	IT 6515 KK ZZ ZZ	595,00
DD	IT 6515 DD ZZ ZZ	803,00
DZ	IT 6515 DZ ZZ ZZ	803,00
SZ	IT 6515 SZ ZZ ZZ	803,00

Soffione a parete anticalcare
Anti-limescale shower-head
Douche de tête anticalcaire avec bras mural
Antikalk Kopfbrause mit Arm



METAL 305 mm 9 l/min 1/2 M

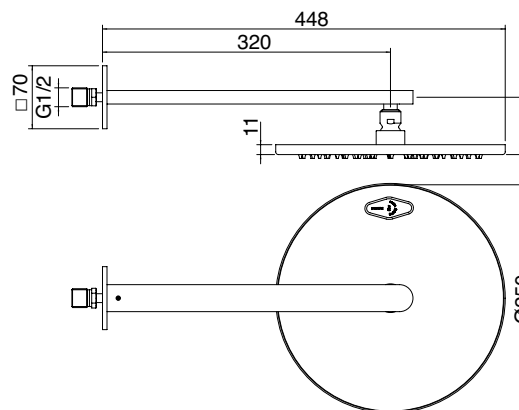


CC	RWIT 2707 CC 01	387,00
NN	RWIT 2707 NN 01	514,00
BB	RWIT 2707 BB 01	514,00
NL	RWIT 2707 NL 01	503,00
NF	RWIT 2707 NF 01	503,00
HH	RWIT 2707 HH 01	595,00
CZ	RWIT 2707 CZ 01	595,00
US	RWIT 2707 US 01	595,00
UZ	RWIT 2707 UZ 01	595,00
KK	RWIT 2707 KK 01	595,00
DD	RWIT 2707 DD 01	803,00
DZ	RWIT 2707 DZ 01	803,00
SZ	RWIT 2707 SZ 01	803,00

Soffione a parete anticalcare
Anti-limescale shower-head
Douche de tête anticalcaire avec bras mural
Antikalk Kopfbrause mit Arm



METAL 250 mm 9 l/min 1/2 M



Showers & Thermostatics

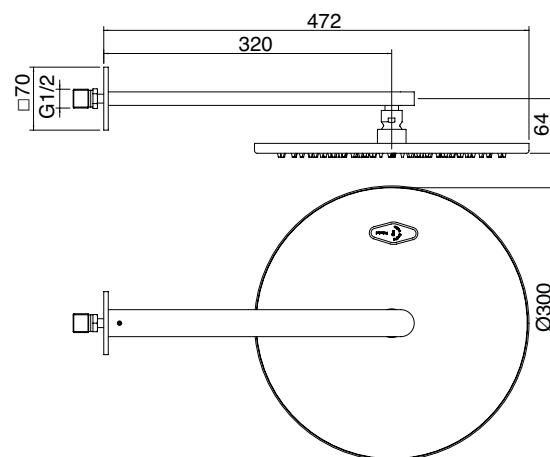


CC	RWIT 6207 CC 01	466,00
NN	RWIT 6207 NN 01	620,00
BB	RWIT 6207 BB 01	620,00
NL	RWIT 6207 NL 01	606,00
NF	RWIT 6207 NF 01	606,00
HH	RWIT 6207 HH 01	717,00
CZ	RWIT 6207 CZ 01	717,00
US	RWIT 6207 US 01	717,00
UZ	RWIT 6207 UZ 01	717,00
KK	RWIT 6207 KK 01	717,00
DD	RWIT 6207 DD 01	968,00
DZ	RWIT 6207 DZ 01	968,00
SZ	RWIT 6207 SZ 01	968,00

Soffione a parete anticalcare
Anti-limescale shower-head
Douche de tête anticalcaire avec bras mural
Antikalk Kopfbrause mit Arm



METAL 300 mm 9 l/min 1/2 M

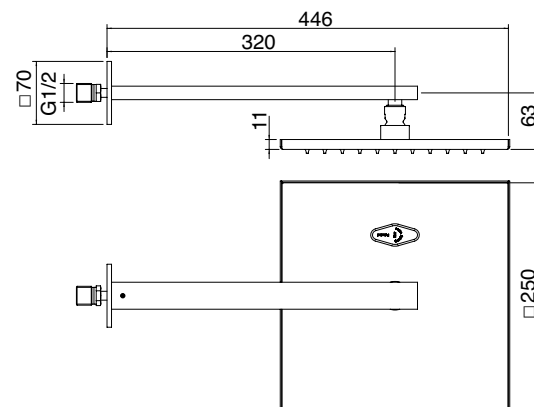


CC	RWIT 5607 CC 01	472,00
NN	RWIT 5607 NN 01	628,00
BB	RWIT 5607 BB 01	628,00
NL	RWIT 5607 NL 01	614,00
NF	RWIT 5607 NF 01	614,00
HH	RWIT 5607 HH 01	727,00
CZ	RWIT 5607 CZ 01	727,00
US	RWIT 5607 US 01	727,00
UZ	RWIT 5607 UZ 01	727,00
KK	RWIT 5607 KK 01	727,00
DD	RWIT 5607 DD 01	981,00
DZ	RWIT 5607 DZ 01	981,00
SZ	RWIT 5607 SZ 01	981,00

Soffione a parete anticalcare
Anti-limescale shower-head
Douche de tête anticalcaire avec bras mural
Antikalk Kopfbrause mit Arm



METAL 250 mm 9 l/min 1/2 M

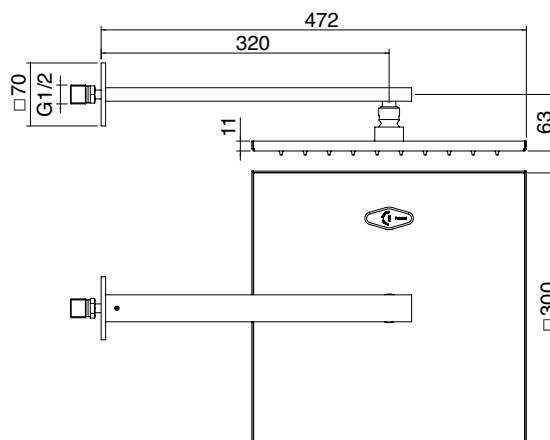


CC	RWIT 5607 CC 02	521,00
NN	RWIT 5607 NN 02	693,00
BB	RWIT 5607 BB 02	693,00
NL	RWIT 5607 NL 02	677,00
NF	RWIT 5607 NF 02	677,00
HH	RWIT 5607 HH 02	802,00
CZ	RWIT 5607 CZ 02	802,00
US	RWIT 5607 US 02	802,00
UZ	RWIT 5607 UZ 02	802,00
KK	RWIT 5607 KK 02	802,00
DD	RWIT 5607 DD 02	1.115,00
DZ	RWIT 5607 DZ 02	1.115,00
SZ	RWIT 5607 SZ 02	1.115,00

Soffione a parete anticalcare
Anti-limescale shower-head
Douche de tête anticalcaire avec bras mural
Antikalk Kopfbrause mit Arm



METAL 300 mm 9 l/min 1/2 M

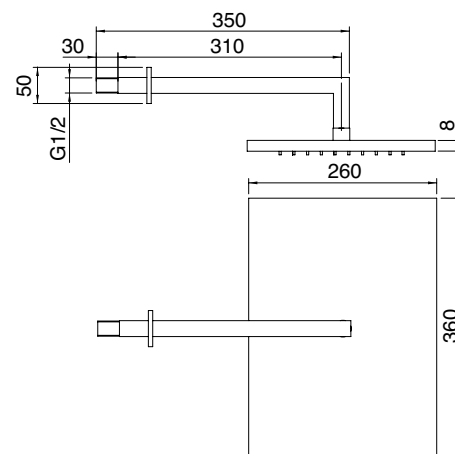


CC	IT 6566 CC ZZ ZZ	411,00
NN	IT 6566 NN ZZ ZZ	546,00
BB	IT 6566 BB ZZ ZZ	546,00
NL	IT 6566 NL ZZ ZZ	535,00
NF	IT 6566 NF ZZ ZZ	535,00
HH	IT 6566 HH ZZ ZZ	633,00
CZ	IT 6566 CZ ZZ ZZ	633,00
US	IT 6566 US ZZ ZZ	633,00
UZ	IT 6566 UZ ZZ ZZ	633,00
KK	IT 6566 KK ZZ ZZ	633,00
DD	IT 6566 DD ZZ ZZ	854,00
DZ	IT 6566 DZ ZZ ZZ	854,00
SZ	IT 6566 SZ ZZ ZZ	854,00

Soffione a parete anticalcare
Anti-limescale shower-head
Douche de tête anticalcaire avec bras mural
Antikalk Kopfbrause mit Arm

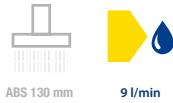
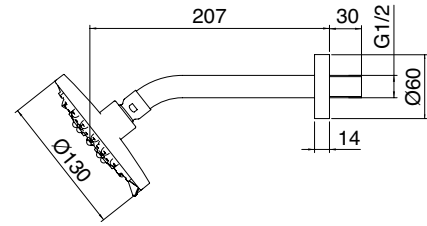


METAL 360 x 260 mm 12 l/min 1/2 M



CC IT 0498 CC ZZ ZZ 120,00

Soffione 3 getti
3 jets shower-head
Douche de tête 3 jets
Kopfbrause mit 3 Strahlarten

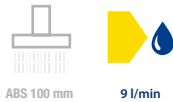
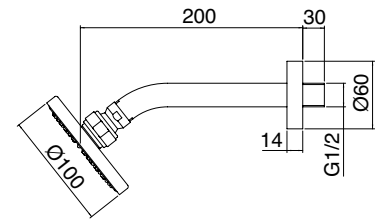


ABS 130 mm

9 l/min

CC IT 6570 CC ZZ ZZ 92,00
NN IT 6570 NN ZZ ZZ 123,00
BB IT 6570 BB ZZ ZZ 120,00

Soffione a parete anticalcare
Anti-limescale shower-head
Douche de tête anticalcaire avec bras mural
Antikalk Kopfbrause mit Arm



ABS 100 mm

9 l/min



Showers & Thermostatics



CC	RWIT 5B47 CC 02	186,00
NN	RWIT 5B47 NN 02	264,00
BB	RWIT 5B47 BB 02	264,00
NL	RWIT 5B47 NL 02	260,00
NF	RWIT 5B47 NF 02	260,00
HH	RWIT 5B47 HH 02	320,00
CZ	RWIT 5B47 CZ 02	320,00
UZ	RWIT 5B47 UZ 02	320,00
DD	RWIT 5B47 DD 02	410,00
DZ	RWIT 5B47 DZ 02	410,00
SZ	RWIT 5B47 SZ 02	410,00

Soffione a parete
Wall-mtd. shower-head
Douche de tête mural
Wand Kopfbrause



1/2" M



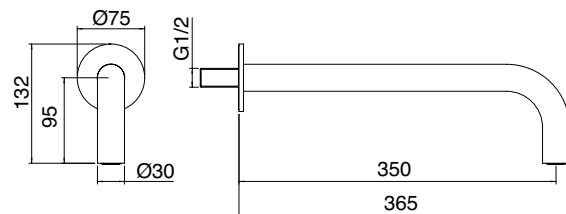
ITRTAT111ZZ



9 l/min
ITRTAE180ZZ



P_634



CC	RWIT 6599 CC 01	279,00
NN	RWIT 6599 NN 01	371,00
BB	RWIT 6599 BB 01	371,00
NF	RWIT 6599 NF 01	362,00
HH	RWIT 6599 HH 01	429,00
CZ	RWIT 6599 CZ 01	429,00

Soffione a parete
Wall-mtd. shower-head
Douche de tête mural
Wand Kopfbrause



1/2" M



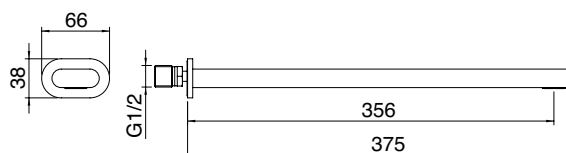
ITRTAT111ZZ



9 l/min
ITRTAE180ZZ



P_634



CC	RWIT 4B47 CC 01	279,00
NN	RWIT 4B47 NN 01	371,00
BB	RWIT 4B47 BB 01	371,00
NL	RWIT 4B47 NL 01	362,00
NF	RWIT 4B47 NF 01	362,00
HH	RWIT 4B47 HH 01	429,00
CZ	RWIT 4B47 CZ 01	429,00
UZ	RWIT 4B47 UZ 01	429,00
DD	RWIT 4B47 DD 01	579,00
DZ	RWIT 4B47 DZ 01	579,00
SZ	RWIT 4B47 SZ 01	579,00

Soffione a parete
Wall-mtd. shower-head
Douche de tête mural
Wand Kopfbrause



1/2" M



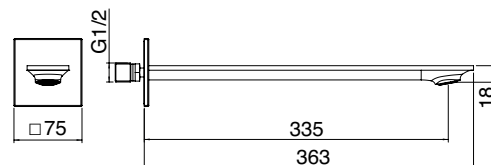
ITRTAT111ZZ



9 l/min
ITRTAE180ZZ



P_634



CC	RWIT 8B47 CC 01	279,00
NN	RWIT 8B47 NN 01	371,00
BB	RWIT 8B47 BB 01	371,00
NL	RWIT 8B47 NL 01	362,00
NF	RWIT 8B47 NF 01	362,00
HH	RWIT 8B47 HH 01	429,00
CZ	RWIT 8B47 CZ 01	429,00
DD	RWIT 8B47 DD 01	579,00
DZ	RWIT 8B47 DZ 01	579,00
SZ	RWIT 8B47 SZ 01	579,00

Soffione a parete
Wall-mtd. shower-head
Douche de tête mural
Wand Kopfbrause



1/2" M



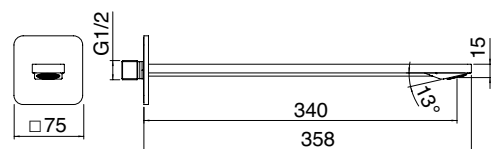
ITRTAT111ZZ



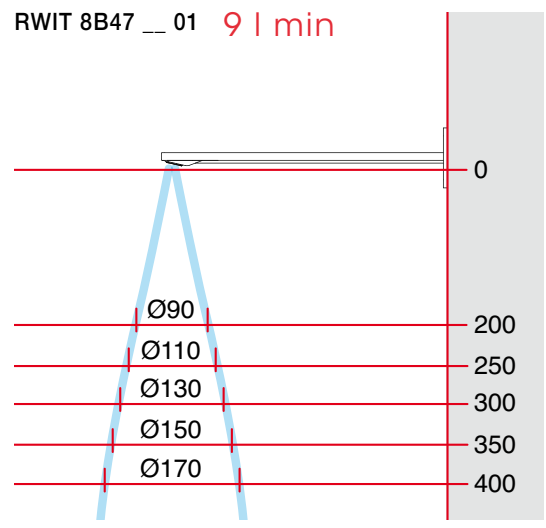
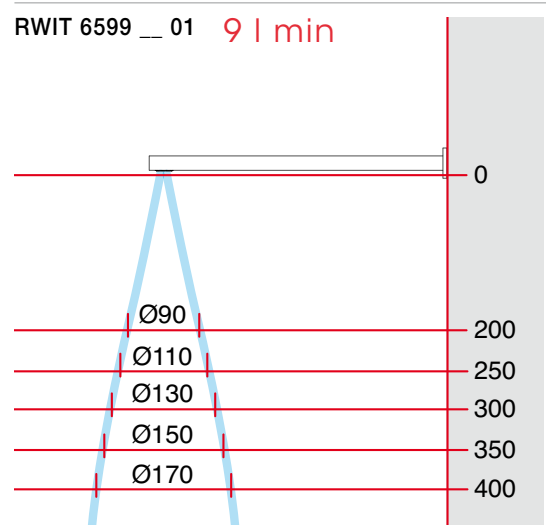
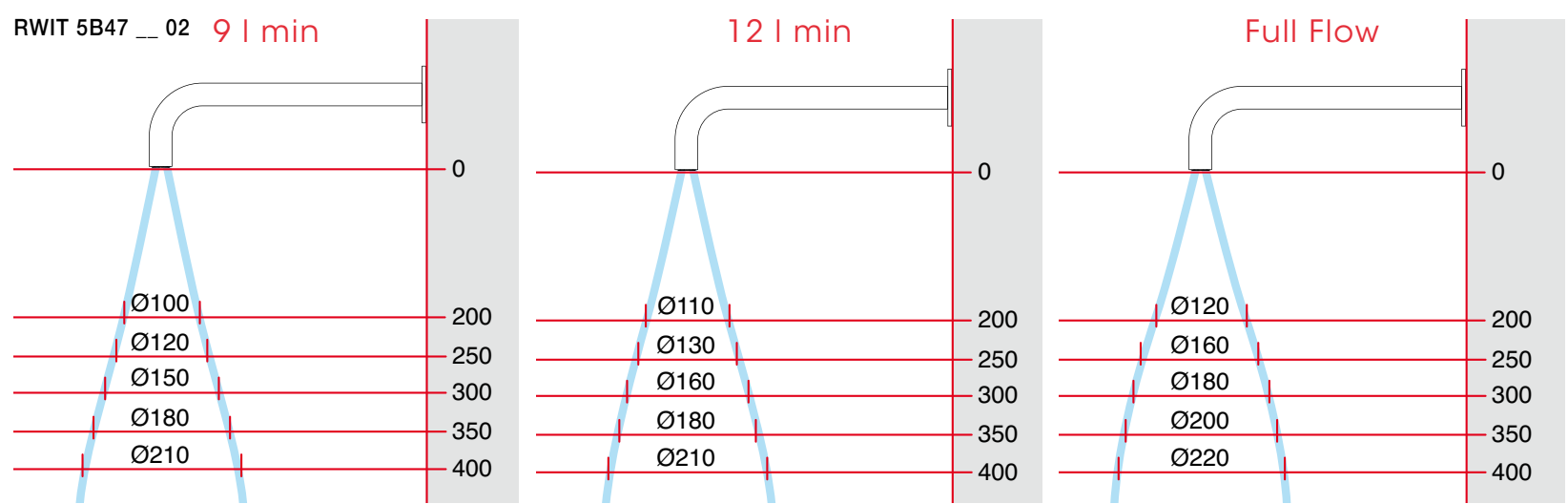
9 l/min
ITRTAE180ZZ



P_634



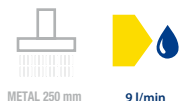
Showers & Thermostatics



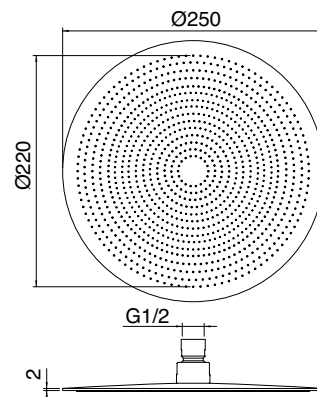
CC IT RTBR 424 CC 165,00

Soffione Ø250
Shower-head Ø250
Douche Ø250
Regenbrause Ø250

- FUNZIONA A BASSA PRESSIONE
- IT WORKS AT A LOW PRESSURE
- FONCTIONNEMENT À BASSE PRESSION
- FUNKTIONALITÄT AUCH MIT WENIG WASSERDRUCK



METAL 250 mm 9 l/min

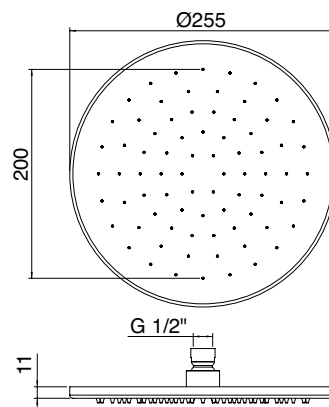


CC IT RTBR 393 CC 252,00
NN IT RTBR 393 NN 333,00
BB IT RTBR 393 BB 333,00
NL IT RTBR 393 NL 326,00
NF IT RTBR 393 NF 326,00
HH IT RTBR 393 HH 386,00
CZ IT RTBR 393 CZ 386,00
DD IT RTBR 393 DD 521,00
DZ IT RTBR 393 DZ 521,00
SZ IT RTBR 393 SZ 521,00

Soffione Ø255
Shower-head Ø255
Douche Ø255
Regenbrause Ø255



METAL 255 mm 9 l/min

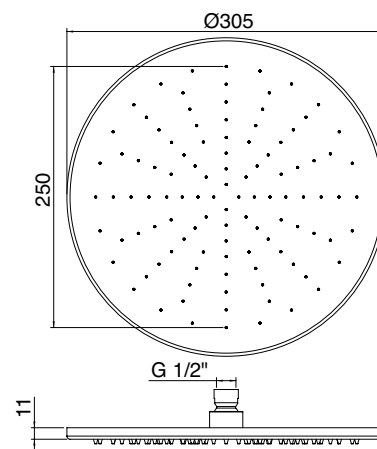


CC IT RTBR 394 CC 294,00
NN IT RTBR 394 NN 389,00
BB IT RTBR 394 BB 389,00
NL IT RTBR 394 NL 381,00
NF IT RTBR 394 NF 381,00
HH IT RTBR 394 HH 451,00
CZ IT RTBR 394 CZ 451,00
DD IT RTBR 394 DD 609,00
DZ IT RTBR 394 DZ 609,00
SZ IT RTBR 394 SZ 609,00

Soffione Ø300
Shower-head Ø300
Douche Ø300
Regenbrause Ø300

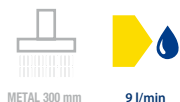


METAL 300 mm 9 l/min

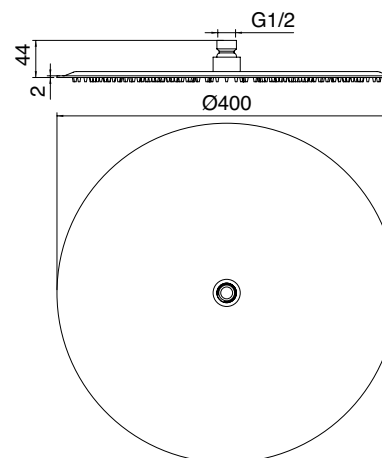


CC IT RTBR 291 CC 475,00
NN IT RTBR 291 NN 631,00
BB IT RTBR 291 BB 631,00
NL IT RTBR 291 NL 617,00
NF IT RTBR 291 NF 617,00
HH IT RTBR 291 HH 731,00
CZ IT RTBR 291 CZ 731,00
DD IT RTBR 291 DD 986,00
DZ IT RTBR 291 DZ 986,00
SZ IT RTBR 291 SZ 986,00

Soffione Ø400
Shower-head Ø400
Douche Ø400
Regenbrause Ø400



METAL 300 mm 9 l/min



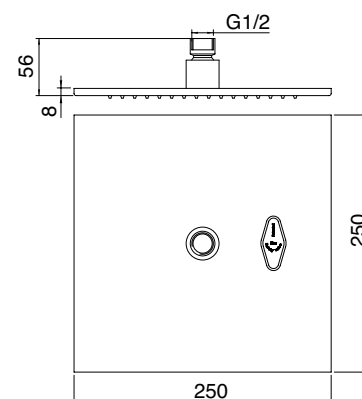
N.B.:
INSTALLABILE SOLAMENTE A SOFFITTO
FOR CEILING INSTALLATION ONLY
INSTALLATION UNIQUEMENT AU PLAFOND
VORGESEHEN AUSSCHLIESSLICH FÜR DECKENMONTAGE

Showers & Thermostatics



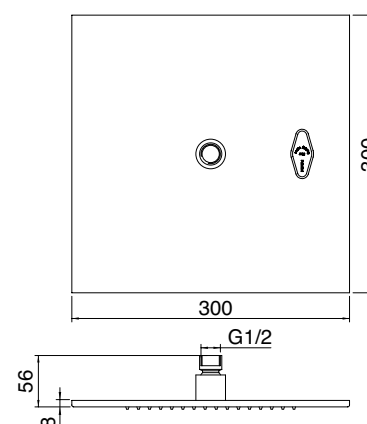
CC	IT RTBR 395 CC	266,00
NN	IT RTBR 395 NN	354,00
BB	IT RTBR 395 BB	354,00
NL	IT RTBR 395 NL	346,00
NF	IT RTBR 395 NF	346,00
HH	IT RTBR 395 HH	409,00
CZ	IT RTBR 395 CZ	409,00
DD	IT RTBR 395 DD	553,00
DZ	IT RTBR 395 DZ	553,00
SZ	IT RTBR 395 SZ	553,00

Soffione 250x250
Shower-head 250x250
Douche 250x250
Regenbrause 250x250



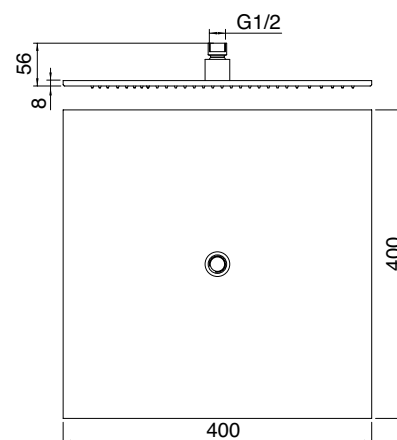
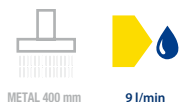
CC	IT RTBR 396 CC	317,00
NN	IT RTBR 396 NN	421,00
BB	IT RTBR 396 BB	421,00
NL	IT RTBR 396 NL	411,00
NF	IT RTBR 396 NF	411,00
HH	IT RTBR 396 HH	487,00
CZ	IT RTBR 396 CZ	487,00
DD	IT RTBR 396 DD	658,00
DZ	IT RTBR 396 DZ	658,00
SZ	IT RTBR 396 SZ	658,00

Soffione 300x300
Shower-head 300x300
Douche 300x300
Regenbrause 300x300



CC	IT RTBR 290 CC	610,00
NN	IT RTBR 290 NN	810,00
BB	IT RTBR 290 BB	810,00
NL	IT RTBR 290 NL	793,00
NF	IT RTBR 290 NF	793,00
HH	IT RTBR 290 HH	938,00
CZ	IT RTBR 290 CZ	938,00
DD	IT RTBR 290 DD	1.266,00
DZ	IT RTBR 290 DZ	1.266,00
SZ	IT RTBR 290 SZ	1.266,00

Soffione 400x400
Shower-head 400x400
Douche 400x400
Regenbrause 400x400

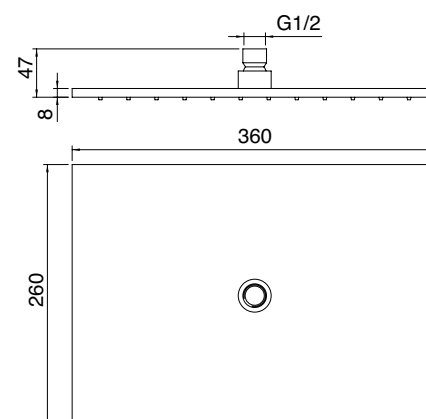
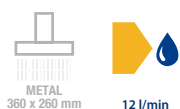


N.B.:
INSTALLABILE SOLAMENTE A SOFFITTO
FOR CEILING INSTALLATION ONLY
INSTALLATION UNIQUEMENT AU PLAFOND
VORGESEHEN AUSSCHLIESSLICH FÜR DECKENMONTAGE



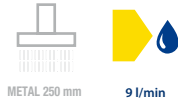
CC	IT RTBR 294 CC	319,00
NN	IT RTBR 294 NN	424,00
BB	IT RTBR 294 BB	424,00
NL	IT RTBR 294 NL	415,00
NF	IT RTBR 294 NF	415,00
HH	IT RTBR 294 HH	490,00
CZ	IT RTBR 294 CZ	490,00
DD	IT RTBR 294 DD	662,00
DZ	IT RTBR 294 DZ	662,00
SZ	IT RTBR 294 SZ	662,00

Soffione 360x260
Shower-head 360x260
Douche 360x260
Regenbrause 360x260

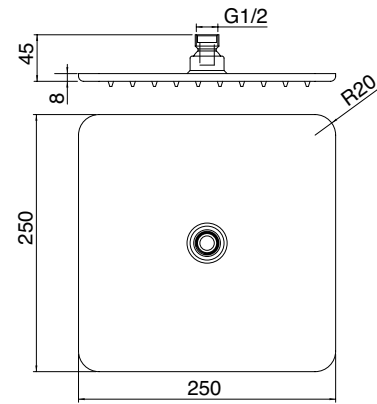


CC IT RTBR 271 CC 177,00

Soffione 250x250
Shower-head 250x250
Douche 250x250
Regenbrause 250x250

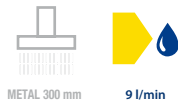


METAL 250 mm 9 l/min

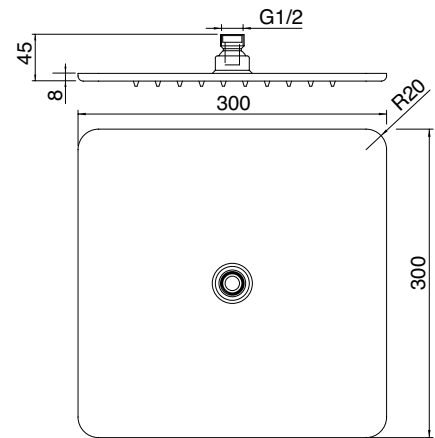


CC IT RTBR 288 CC 245,00

Soffione 300x300
Shower-head 300x300
Douche 300x300
Regenbrause 300x300

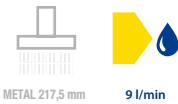


METAL 300 mm 9 l/min

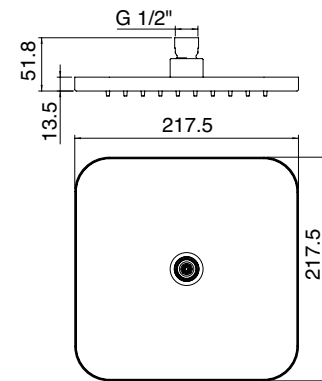


US IT RTBR 167 US 464,00
UZ IT RTBR 167 UZ 464,00
KK IT RTBR 167 KK 464,00

Soffione 217x217
Shower-head 217x217
Douche 217x217
Regenbrause 217x217



METAL 217,5 mm 9 l/min

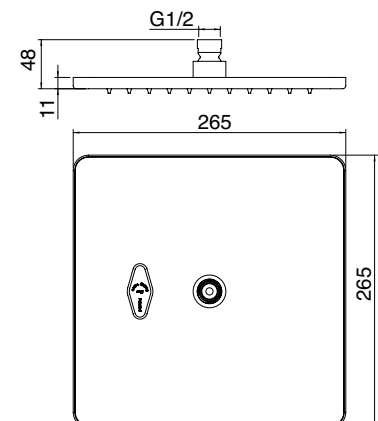


NN IT RTBR 245 NN 264,00
BB IT RTBR 245 BB 264,00
NL IT RTBR 245 NL 260,00
NF IT RTBR 245 NF 260,00
HH IT RTBR 245 HH 320,00
CZ IT RTBR 245 CZ 320,00
DD IT RTBR 245 DD 410,00
DZ IT RTBR 245 DZ 410,00
SZ IT RTBR 245 SZ 410,00

Soffione 265x265
Shower-head 265x265
Douche 265x265
Regenbrause 265x265



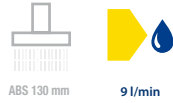
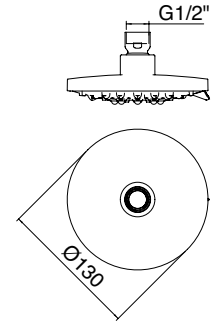
METAL 265 mm 9 l/min



Showers & Thermostatics



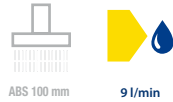
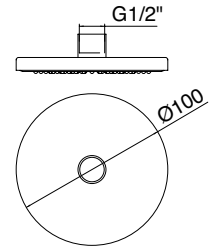
CC IT RTBR 276 CC 45,00
 Soffione 3 getti Ø130
 3 jets shower-head Ø130
 Douche de tête 3 jets Ø130
 Kopfbrause mit 3 Strahlarten Ø130



ABS 130 mm

9 l/min

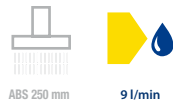
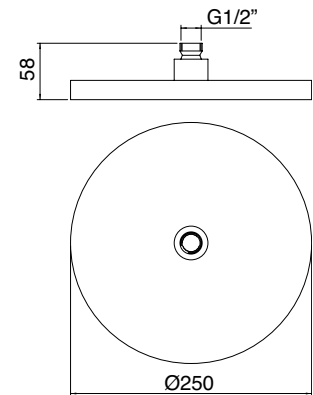
CC IT RTBR 132 CC 60,00
NN IT RTBR 132 NN 81,00
NF IT RTBR 132 NF 79,00
 Soffione Ø100
 Shower-head Ø100
 Douche Ø100
 Regenbrause Ø100



ABS 100 mm

9 l/min

CC IT RTBR 422 CC 99,00
NN IT RTBR 422 NN 133,00
NF IT RTBR 422 NF 129,00
 Soffione Ø250 - ABS
 Shower-head Ø250 - ABS
 Douche Ø250 - ABS
 Regenbrause Ø250 - ABS



ABS 250 mm

9 l/min

MANUTENZIONE PERIODICA UGELLI IN SILICONE (A CURA DELL'UTENTE)

I soffioni in vostro possesso sono dotati di sistema "Easy clean" con ugelli di erogazione in silicone. Questo sistema permette all'utente di poter pulire periodicamente il soffione flettendo gli ugelli con la mano, evitando così depositi eccessivi di calcare che potrebbero compromettere il normale funzionamento dell'articolo. La garanzia non copre danni causati dal deposito di calcare o/e impurità.

PERIODICAL NOZZLE MAINTENANCE (BY THE USER)

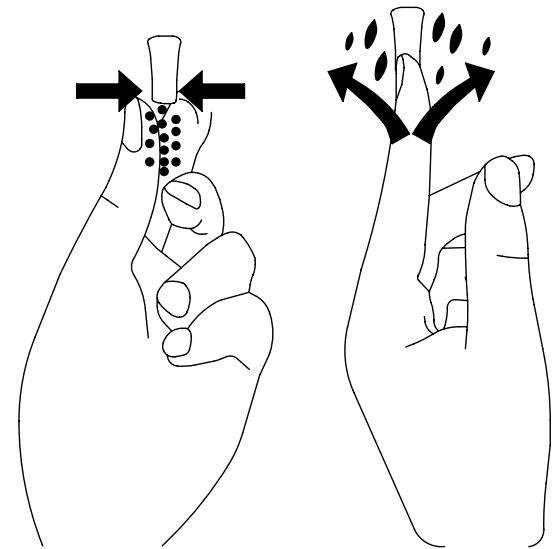
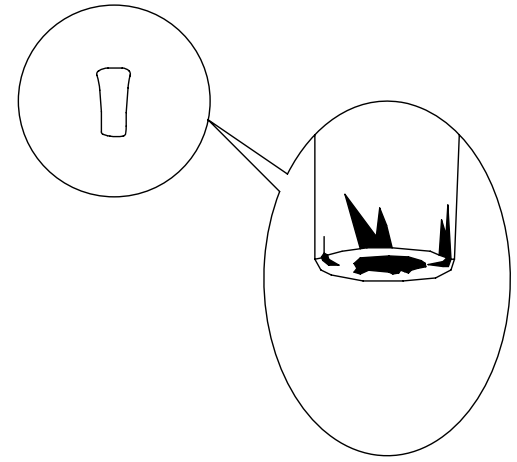
Your shower head has an "easy clean" system that enable you to clean the silicon nozzles. You can simply flex them in order to remove limestone that can prevent the correct use. We suggest to do this operation each 15 days. Warranty do not cover damages caused by inefficiency maintenance and limestone / dirty residues

ENTRETIEN DES PICOTS (PAR L'UTILISATEUR)

Votre pomme de douche a un système "easy clean" que vous permet de nettoyer les picots en silicone. Ca suffit de les fléchir pour enlever les résidus de calcaire qui peuvent empêcher le bon fonctionnement de l'article. On vous conseille cette opération les 15 jours. La garantie ne couvre pas les défauts causés par un mauvais entretien ou par la présence de calcaire ou impuretés

REGELMÄßIGE DÜSENREINIGUNG (DURCH DEN NUTZER)

Ihre Kopfbrause ist mit einem "easy clean" System ausgestattet, welches Ihnen ermöglicht, die Düsen sauber und kalkfrei zu halten. Um Kalkablagerungen und Verstopfungen in den Düsen zu entfernen, drücken Sie die weichen Düsen einfach einzeln leicht zur Seite. Wir empfehlen diese Maßnahme alle 15 Tage durchzuführen. Die Herstellergarantie umfasst keine Schäden durch Verkalkung und Verschmutzung, die durch unzureichende Reinigung der Düsen entstanden sind.



Showers & Thermostatics

X-CHANGE

ELECTRONIC

SHOWERS & THERMOSTATICS

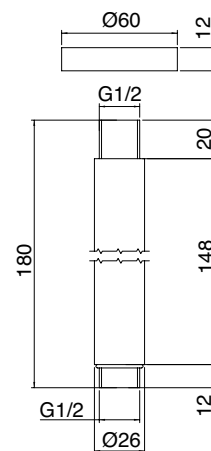


CC	IT RTBR 140 CC	45,00
NN	IT RTBR 140 NN	59,00
BB	IT RTBR 140 BB	59,00
NL	IT RTBR 140 NL	58,00
NF	IT RTBR 140 NF	58,00
HH	IT RTBR 140 HH	68,00
CZ	IT RTBR 140 CZ	68,00
US	IT RTBR 140 US	68,00
UZ	IT RTBR 140 UZ	68,00
KK	IT RTBR 140 KK	68,00
DD	IT RTBR 140 DD	92,00
DZ	IT RTBR 140 DZ	92,00
SZ	IT RTBR 140 SZ	92,00

Braccio doccia da soffitto 150 mm
M1 m50 ceiling shower arm
Bras de douche au plafond 150 mm
Decken brauserarm 150 mm



1/2 M

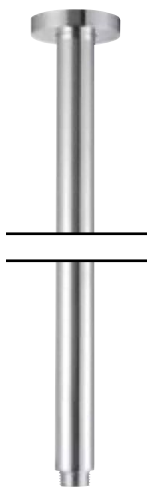
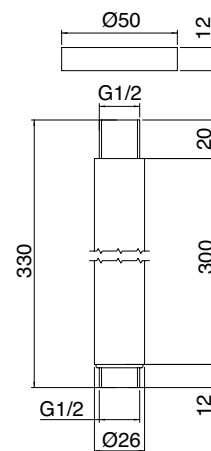


CC	IT RTBR 221 CC	56,00
NN	IT RTBR 221 NN	75,00
BB	IT RTBR 221 BB	75,00
NL	IT RTBR 221 NL	73,00
NF	IT RTBR 221 NF	73,00
HH	IT RTBR 221 HH	86,00
CZ	IT RTBR 221 CZ	86,00
US	IT RTBR 221 US	86,00
UZ	IT RTBR 221 UZ	86,00
KK	IT RTBR 221 KK	86,00
DD	IT RTBR 221 DD	116,00
DZ	IT RTBR 221 DZ	116,00
SZ	IT RTBR 221 SZ	116,00

Braccio doccia da soffitto 300 mm
Mm. 300 ceiling shower arm
Bras de douche au plafond 300 mm
Decken brauserarm 300 mm



1/2 M

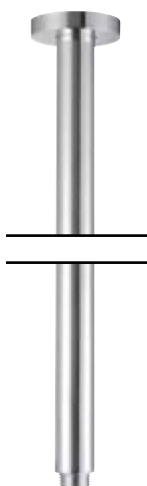
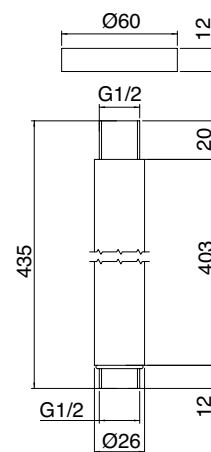


CC	IT RTBR 220 CC	77,00
NN	IT RTBR 220 NN	100,00
BB	IT RTBR 220 BB	100,00
NL	IT RTBR 220 NL	98,00
NF	IT RTBR 220 NF	98,00
HH	IT RTBR 220 HH	117,00
CZ	IT RTBR 220 CZ	117,00
US	IT RTBR 220 US	117,00
UZ	IT RTBR 220 UZ	117,00
KK	IT RTBR 220 KK	117,00
DD	IT RTBR 220 DD	157,00
DZ	IT RTBR 220 DZ	157,00
SZ	IT RTBR 220 SZ	157,00

Braccio doccia da soffitto 400 mm
Mm. 400 ceiling shower arm
Bras de douche au plafond 400 mm
Decken brauserarm 400 mm



1/2 M

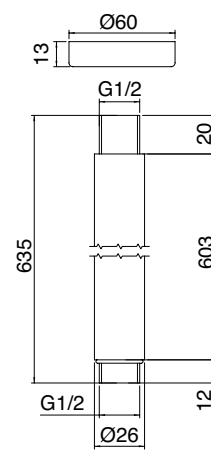


CC	IT RTBR 204 CC	89,00
NN	IT RTBR 204 NN	119,00
BB	IT RTBR 204 BB	119,00
NL	IT RTBR 204 NL	116,00
NF	IT RTBR 204 NF	116,00
HH	IT RTBR 204 HH	136,00
CZ	IT RTBR 204 CZ	136,00
US	IT RTBR 204 US	136,00
UZ	IT RTBR 204 UZ	136,00
KK	IT RTBR 204 KK	136,00
DD	IT RTBR 204 DD	185,00
DZ	IT RTBR 204 DZ	185,00
SZ	IT RTBR 204 SZ	185,00

Braccio doccia da soffitto 600 mm
Mm. 600 ceiling shower arm
Bras de douche au plafond 600 mm
Decken brauserarm 600 mm



1/2 M



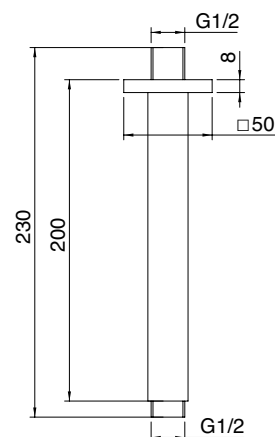


CC	IT RTBR 292 CC	56,00
NN	IT RTBR 292 NN	75,00
BB	IT RTBR 292 BB	75,00
NL	IT RTBR 292 NL	73,00
NF	IT RTBR 292 NF	73,00
HH	IT RTBR 292 HH	86,00
CZ	IT RTBR 292 CZ	86,00
US	IT RTBR 292 US	86,00
UZ	IT RTBR 292 UZ	86,00
KK	IT RTBR 292 KK	86,00
DD	IT RTBR 292 DD	116,00
DZ	IT RTBR 292 DZ	116,00
SZ	IT RTBR 292 SZ	116,00

Braccio doccia da soffitto 200 mm
M2 m00 ceiling shower arm
Bras de douche au plafond 200 mm
Decken brauserarm 200 mm



1/2 M

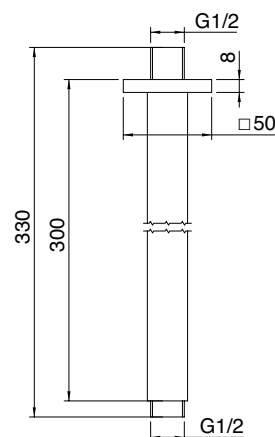


CC	IT RTBR 293 CC	77,00
NN	IT RTBR 293 NN	100,00
BB	IT RTBR 293 BB	100,00
NL	IT RTBR 293 NL	98,00
NF	IT RTBR 293 NF	98,00
HH	IT RTBR 293 HH	117,00
CZ	IT RTBR 293 CZ	117,00
US	IT RTBR 293 US	117,00
UZ	IT RTBR 293 UZ	117,00
KK	IT RTBR 293 KK	117,00
DD	IT RTBR 293 DD	157,00
DZ	IT RTBR 293 DZ	157,00
SZ	IT RTBR 293 SZ	157,00

Braccio doccia da soffitto 300 mm
Mm. 300 ceiling shower arm
Bras de douche au plafond 300 mm
Decken brauserarm 300 mm



1/2 M

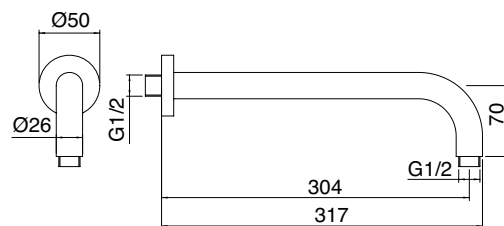


CC	IT RTBR 188 CC	64,00
NN	IT RTBR 188 NN	86,00
BB	IT RTBR 188 BB	86,00
NL	IT RTBR 188 NL	84,00
NF	IT RTBR 188 NF	84,00
HH	IT RTBR 188 HH	99,00
CZ	IT RTBR 188 CZ	99,00
US	IT RTBR 188 US	99,00
UZ	IT RTBR 188 UZ	99,00
KK	IT RTBR 188 KK	99,00
DD	IT RTBR 188 DD	133,00
DZ	IT RTBR 188 DZ	133,00
SZ	IT RTBR 188 SZ	133,00

Braccio doccia 304 mm
Mm. 304 shower arm
Bras de douche 304 mm
Wand brauserarm 304 mm



1/2 M

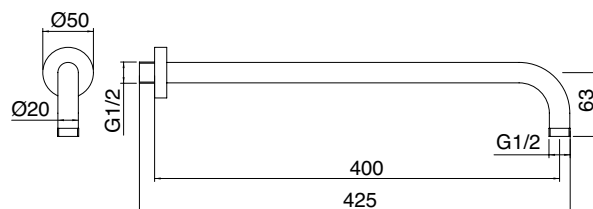


CC	IT RTBR 196 CC	81,00
NN	IT RTBR 196 NN	107,00
BB	IT RTBR 196 BB	107,00
NL	IT RTBR 196 NL	103,00
NF	IT RTBR 196 NF	103,00
HH	IT RTBR 196 HH	123,00
CZ	IT RTBR 196 CZ	123,00
US	IT RTBR 196 US	123,00
UZ	IT RTBR 196 UZ	123,00
KK	IT RTBR 196 KK	123,00
DD	IT RTBR 196 DD	166,00
DZ	IT RTBR 196 DZ	166,00
SZ	IT RTBR 196 SZ	166,00

Braccio doccia 400 mm
Mm. 400 shower arm
Bras de douche 400 mm
Wand brauserarm 400 mm



1/2 M

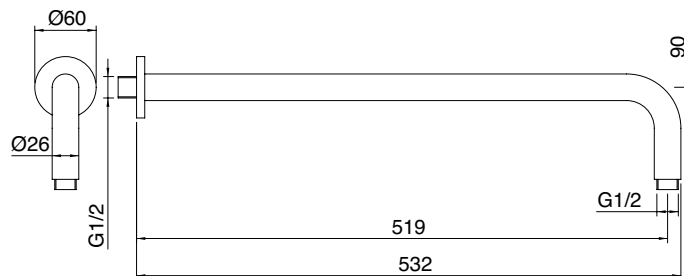


Showers & Thermostatics



CC	IT RTBR 229 CC	89,00
NN	IT RTBR 229 NN	119,00
BB	IT RTBR 229 BB	119,00
NL	IT RTBR 229 NL	116,00
NF	IT RTBR 229 NF	116,00
HH	IT RTBR 229 HH	136,00
CZ	IT RTBR 229 CZ	136,00
US	IT RTBR 229 US	136,00
UZ	IT RTBR 229 UZ	136,00
KK	IT RTBR 229 KK	136,00
DD	IT RTBR 229 DD	185,00
DZ	IT RTBR 229 DZ	185,00
SZ	IT RTBR 229 SZ	185,00

Braccio doccia 519 mm
Mm. 519 shower arm
Bras de douche 519 mm
Wand brauserarm 519 mm

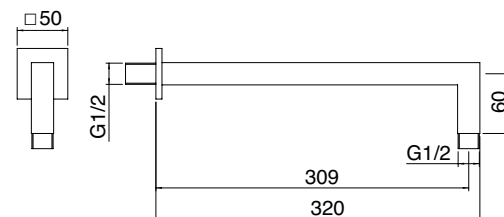


1/2 M



CC	IT RTBR 269 CC	95,00
NN	IT RTBR 269 NN	126,00
BB	IT RTBR 269 BB	126,00
NL	IT RTBR 269 NL	123,00
NF	IT RTBR 269 NF	123,00
HH	IT RTBR 269 HH	146,00
CZ	IT RTBR 269 CZ	146,00
US	IT RTBR 269 US	146,00
UZ	IT RTBR 269 UZ	146,00
KK	IT RTBR 269 KK	146,00
DD	IT RTBR 269 DD	196,00
DZ	IT RTBR 269 DZ	196,00
SZ	IT RTBR 269 SZ	196,00

Braccio doccia 309 mm
Mm. 309 shower arm
Bras de douche 309 mm
Wand brauserarm 309 mm

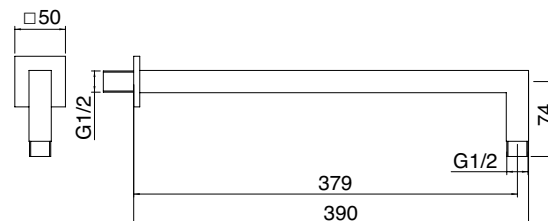


1/2 M



CC	IT RTBR 285 CC	105,00
NN	IT RTBR 285 NN	139,00
BB	IT RTBR 285 BB	139,00
NL	IT RTBR 285 NL	135,00
NF	IT RTBR 285 NF	135,00
HH	IT RTBR 285 HH	161,00
CZ	IT RTBR 285 CZ	161,00
US	IT RTBR 285 US	161,00
UZ	IT RTBR 285 UZ	161,00
KK	IT RTBR 285 KK	161,00
DD	IT RTBR 285 DD	218,00
DZ	IT RTBR 285 DZ	218,00
SZ	IT RTBR 285 SZ	218,00

Braccio doccia 379 mm
Mm. 379 shower arm
Bras de douche 379 mm
Wand brauserarm 379 mm

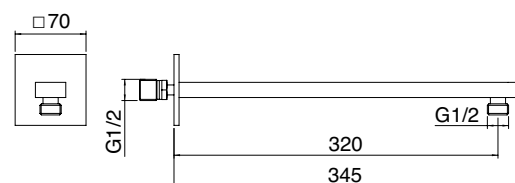


1/2 M



CC	RWIT 2707 CC 05	196,00
NN	RWIT 2707 NN 05	261,00
BB	RWIT 2707 BB 05	261,00
NL	RWIT 2707 NL 05	255,00
NF	RWIT 2707 NF 05	255,00
HH	RWIT 2707 HH 05	301,00
CZ	RWIT 2707 CZ 05	301,00
US	RWIT 2707 US 05	301,00
UZ	RWIT 2707 UZ 05	301,00
KK	RWIT 2707 KK 05	301,00
DD	RWIT 2707 DD 05	407,00
DZ	RWIT 2707 DZ 05	407,00
SZ	RWIT 2707 SZ 05	407,00

Braccio doccia 320 mm
Mm. 320 shower arm
Bras de douche 320 mm
Wand brauserarm 320 mm



1/2 M

Showers & Thermostatics

X-CHANGE

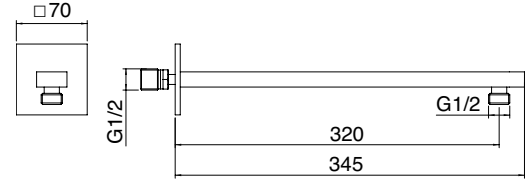
ELECTRONIC

SHOWERS & THERMOSTATICS



CC	RWIT 5607 CC 06	228,00
NN	RWIT 5607 NN 06	302,00
BB	RWIT 5607 BB 06	302,00
NL	RWIT 5607 NL 06	296,00
NF	RWIT 5607 NF 06	296,00
HH	RWIT 5607 HH 06	350,00
CZ	RWIT 5607 CZ 06	350,00
US	RWIT 5607 US 06	350,00
UZ	RWIT 5607 UZ 06	350,00
KK	RWIT 5607 KK 06	350,00
DD	RWIT 5607 DD 06	472,00
DZ	RWIT 5607 DZ 06	472,00
SZ	RWIT 5607 SZ 06	472,00

Braccio doccia 320 mm
Mm. 320 shower arm
Bras de douche 320 mm
Wand brauserarm 320 mm

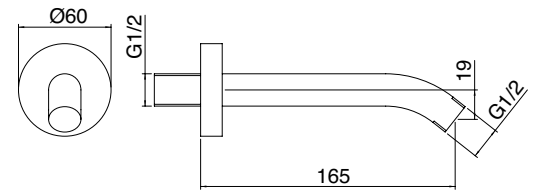


1/2 M



CC	IT RTBR 144 CC	38,00
NN	IT RTBR 144 NN	49,00
NF	IT RTBR 144 NF	48,00

Braccio doccia
Shower arm
Bras de douche
Wand brauserarm

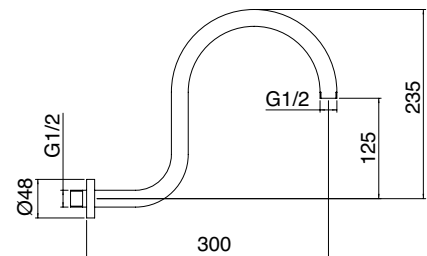


1/2 M



CC	IT RTBR 145 CC	98,00
NL	IT RTBR 145 NL	128,00
US	IT RTBR 145 US	152,00
DD	IT RTBR 145 DD	204,00
DZ	IT RTBR 145 DZ	204,00
SZ	IT RTBR 145 SZ	204,00

Braccio doccia 300 mm
Mm. 300 shower arm
Bras de douche 300 mm
Wand brauserarm 300 mm



1/2 M

X-CHANGE

ELECTRONIC

SHOWERS &
THERMOSTATICS

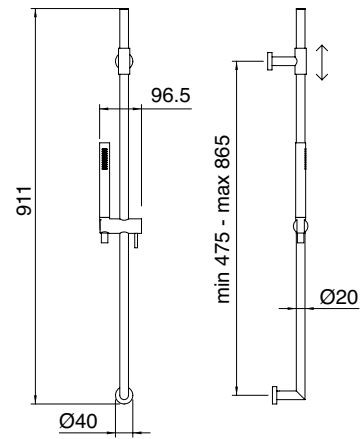


IT 6529 NN ZZ ZZ



CC	IT 6529	CC ZZ ZZ	223,00
NN	IT 6529	NN ZZ ZZ	319,00
BB	IT 6529	BB ZZ ZZ	319,00
NL	IT 6529	NL ZZ ZZ	315,00
NF	IT 6529	NF ZZ ZZ	315,00
HH	IT 6529	HH ZZ ZZ	343,00
CZ	IT 6529	CZ ZZ ZZ	343,00
US	IT 6529	US ZZ ZZ	343,00
UZ	IT 6529	UZ ZZ ZZ	343,00
KK	IT 6529	KK ZZ ZZ	335,00
DD	IT 6529	DD ZZ ZZ	446,00
DZ	IT 6529	DZ ZZ ZZ	463,00
SZ	IT 6529	SZ ZZ ZZ	463,00

Kit saliscendi senza presa acqua
Sliding-bar kit without wall hose outlet
Barre coulissante sans coude mural
Gleitstange ohne Wandaschlussbogen



1,5 M PVC



METAL

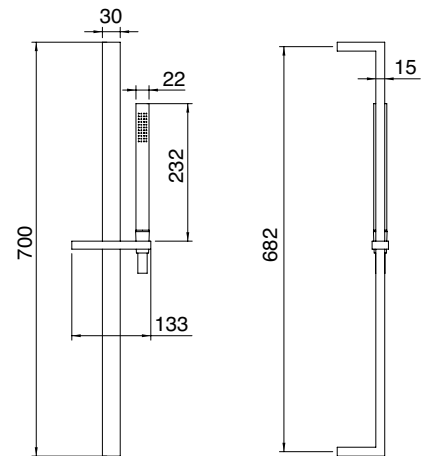


8 l/min



CC	IT 0411	CC ZZ ZZ	279,00
NN	IT 0411	NN ZZ ZZ	380,00
BB	IT 0411	BB ZZ ZZ	380,00
NL	IT 0411	NL ZZ ZZ	374,00
NF	IT 0411	NF ZZ ZZ	374,00
HH	IT 0411	HH ZZ ZZ	430,00
CZ	IT 0411	CZ ZZ ZZ	430,00
US	IT 0411	US ZZ ZZ	430,00
UZ	IT 0411	UZ ZZ ZZ	430,00
KK	IT 0411	KK ZZ ZZ	430,00
DD	IT 0411	DD ZZ ZZ	554,00
DZ	IT 0411	DZ ZZ ZZ	578,00
SZ	IT 0411	SZ ZZ ZZ	578,00

Kit saliscendi senza presa acqua
Sliding-bar kit without wall hose outlet
Barre coulissante sans coude mural
Gleitstange ohne Wandaschlussbogen



1,5 M PVC



METAL

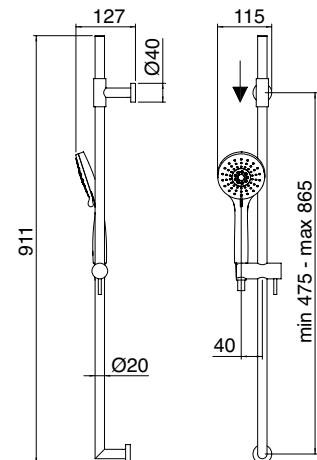


8 l/min



CC	IT 6595	CC ZZ ZZ	218,00
NN	IT 6595	NN ZZ ZZ	290,00
BB	IT 6595	BB ZZ ZZ	290,00
NF	IT 6595	NF ZZ ZZ	283,00

Kit saliscendi senza presa acqua
Sliding-bar kit without wall hose outlet
Barre coulissante sans coude mural
Gleitstange ohne Wandaschlussbogen



1,5 M PVC



ABS



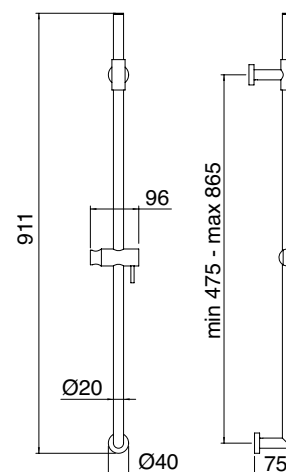
8 l/min

Showers & Thermostatics



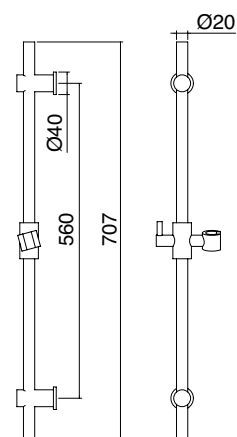
CC	IT RTBR 258 CC	155,00
NN	IT RTBR 258 NN	205,00
BB	IT RTBR 258 BB	205,00
NL	IT RTBR 258 NL	201,00
NF	IT RTBR 258 NF	201,00
HH	IT RTBR 258 HH	238,00
CZ	IT RTBR 258 CZ	238,00
US	IT RTBR 258 US	238,00
UZ	IT RTBR 258 UZ	238,00
KK	IT RTBR 258 KK	238,00
DD	IT RTBR 258 DD	322,00
DZ	IT RTBR 258 DZ	322,00
SZ	IT RTBR 258 SZ	322,00

Asta saliscendi
Sliding-bar
Barre coulissante
Gleitstange



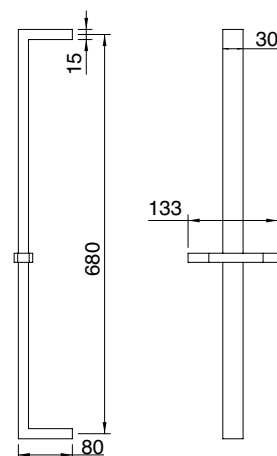
CC	IT RTBR 200 CC	87,00
NN	IT RTBR 200 NN	116,00
BB	IT RTBR 200 BB	116,00
NL	IT RTBR 200 NL	114,00
NF	IT RTBR 200 NF	114,00
HH	IT RTBR 200 HH	133,00
CZ	IT RTBR 200 CZ	133,00
US	IT RTBR 200 US	133,00
UZ	IT RTBR 200 UZ	133,00
KK	IT RTBR 200 KK	133,00
DD	IT RTBR 200 DD	181,00
DZ	IT RTBR 200 DZ	181,00
SZ	IT RTBR 200 SZ	181,00

Asta saliscendi
Sliding-bar
Barre coulissante
Gleitstange



CC	IT RTBR 260 CC	173,00
NN	IT RTBR 260 NN	230,00
BB	IT RTBR 260 BB	230,00
NL	IT RTBR 260 NL	225,00
NF	IT RTBR 260 NF	225,00
HH	IT RTBR 260 HH	266,00
CZ	IT RTBR 260 CZ	266,00
US	IT RTBR 260 US	266,00
UZ	IT RTBR 260 UZ	266,00
KK	IT RTBR 260 KK	266,00
DD	IT RTBR 260 DD	359,00
DZ	IT RTBR 260 DZ	359,00
SZ	IT RTBR 260 SZ	359,00

Asta saliscendi
Sliding-bar
Barre coulissante
Gleitstange





RWIT 2705 CC 74



CC	RWIT 2705 CC 74	123,00
NN	RWIT 2705 NN 74	189,00
BB	RWIT 2705 BB 74	189,00
NL	RWIT 2705 NL 74	184,00
NF	RWIT 2705 NF 74	184,00
HH	RWIT 2705 HH 74	189,00
CZ	RWIT 2705 CZ 74	189,00
US	RWIT 2705 US 74	189,00
UZ	RWIT 2705 UZ 74	189,00
KK	RWIT 2705 KK 74	186,00
DD	RWIT 2705 DD 74	257,00
DZ	RWIT 2705 DZ 74	255,00
SZ	RWIT 2705 SZ 74	255,00

Kit gancio, flessibile, doccia
 Hook, flexible and hand shower kit
 Kit support, flexible et douche
 Brausehalter, Schlauch und Handbrause



1,5 M PVC



METAL



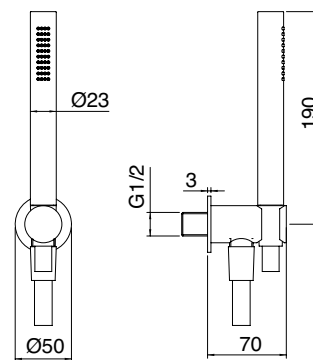
1/2 M



1/2 M



8 l/min



Showers & Thermostatics



CC	RWIT 5605 CC 74	182,00
NN	RWIT 5605 NN 74	254,00
BB	RWIT 5605 BB 74	254,00
NL	RWIT 5605 NL 74	244,00
NF	RWIT 5605 NF 74	244,00
HH	RWIT 5605 HH 74	278,00
CZ	RWIT 5605 CZ 74	278,00
US	RWIT 5605 US 74	278,00
UZ	RWIT 5605 UZ 74	278,00
KK	RWIT 5605 KK 74	278,00
DD	RWIT 5605 DD 74	366,00
DZ	RWIT 5605 DZ 74	374,00
SZ	RWIT 5605 SZ 74	374,00

Kit gancio, flessibile, doccetta
Hook, flexible and hand shower kit
Kit support, flexible et douchette
Brausehalter, Schlauch und Handbrause



1,5 M PVC



METAL



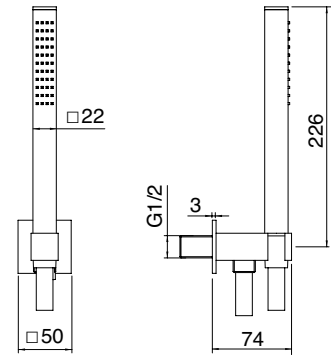
1/2 M



1/2 M



8 l/min



CC	RWIT 2705 CC 75	97,00
NN	RWIT 2705 NN 75	129,00
BB	RWIT 2705 BB 75	129,00
NF	RWIT 2705 NF 75	126,00

Kit gancio, flessibile, doccetta
Hook, flexible and hand shower kit
Kit support, flexible et douchette
Brausehalter, Schlauch und Handbrause



1,5 M PVC



ABS



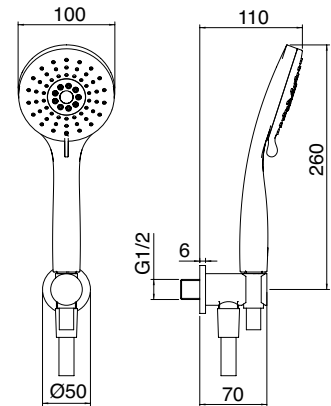
1/2 M



1/2 M



8 l/min



CC	RWIT 8BD8 CC 25	191,00
NN	RWIT 8BD8 NN 25	255,00
BB	RWIT 8BD8 BB 25	255,00
NL	RWIT 8BD8 NL 25	249,00
NF	RWIT 8BD8 NF 25	249,00
HH	RWIT 8BD8 HH 25	294,00
CZ	RWIT 8BD8 CZ 25	294,00
DD	RWIT 8BD8 DD 25	397,00
DZ	RWIT 8BD8 DZ 25	397,00
SZ	RWIT 8BD8 SZ 25	397,00

Kit gancio, flessibile, doccetta
Hook, flexible and hand shower kit
Kit support, flexible et douchette
Brausehalter, Schlauch und Handbrause



1,5 M PVC



METAL



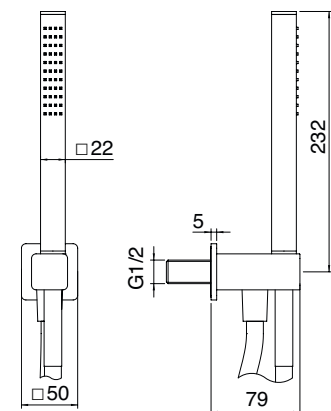
1/2 M



1/2 M



8 l/min



CC	RWIT 2BF6 CC 55	347,00
NN	RWIT 2BF6 NN 55	462,00
BB	RWIT 2BF6 BB 55	462,00
NL	RWIT 2BF6 NL 55	452,00
NF	RWIT 2BF6 NF 55	452,00
HH	RWIT 2BF6 HH 55	535,00
CZ	RWIT 2BF6 CZ 55	535,00
US	RWIT 2BF6 US 55	535,00
UZ	RWIT 2BF6 UZ 55	535,00
KK	RWIT 2BF6 KK 55	535,00
DD	RWIT 2BF6 DD 55	722,00
DZ	RWIT 2BF6 DZ 55	722,00
SZ	RWIT 2BF6 SZ 55	722,00

Kit gancio, flessibile, doccetta attacco a calamita
Hook, flexible and hand shower with magnet fixing
Kit support, flexible et douchette à fixation magnétique
Brausehalter, Schlauch und Handbrause mit Magnetbefestigung



1,5 M PVC



METAL



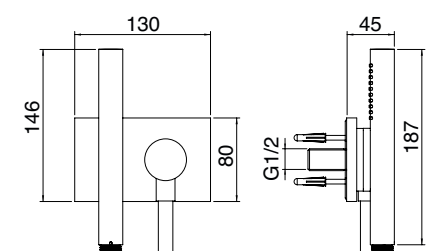
1/2 M



1/2 M



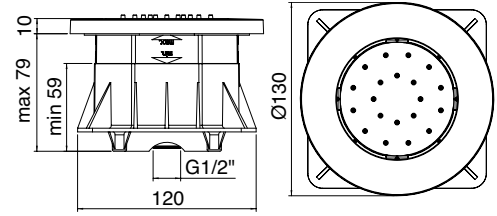
8 l/min



Senza corpo incasso, non consigliata per serie watt
Without concealed box, not recommended for watt series
Sans boîte à encastrer, non recommandé pour la série watt
Ohne UP-Teile, nicht empfohlen für Watt-Serie

CC	IT RTBR 224 CC	112,00
NN	IT RTBR 224 NN	149,00
BB	IT RTBR 224 BB	149,00
NF	IT RTBR 224 NF	146,00

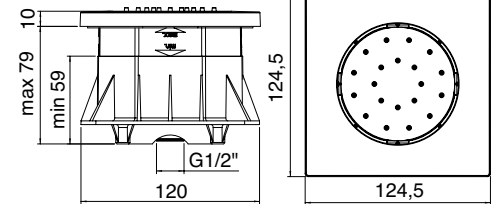
Soffione laterale
Nozzle
Buse
Düse



1/2 M 4 l/min

CC	IT RTBR 222 CC	112,00
NN	IT RTBR 222 NN	149,00
BB	IT RTBR 222 BB	149,00
NF	IT RTBR 222 NF	146,00

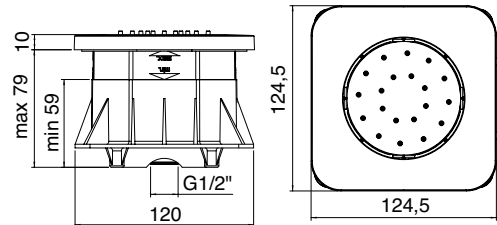
Soffione laterale
Nozzle
Buse
Düse



1/2 M 4 l/min

CC	IT RTBR 225 CC	112,00
NN	IT RTBR 225 NN	149,00
BB	IT RTBR 225 BB	149,00
NF	IT RTBR 225 NF	146,00

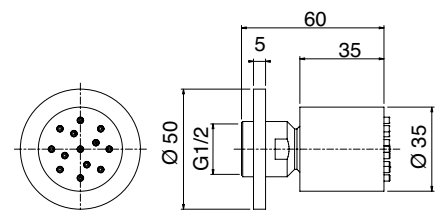
Soffione laterale
Nozzle
Buse
Düse



1/2 M 4 l/min

CC	IT RTBR 205 CC	64,00
NN	IT RTBR 205 NN	86,00
BB	IT RTBR 205 BB	86,00
NL	IT RTBR 205 NL	112,00
NF	IT RTBR 205 NF	112,00
HH	IT RTBR 205 HH	99,00
CZ	IT RTBR 205 CZ	99,00
US	IT RTBR 205 US	99,00
UZ	IT RTBR 205 UZ	99,00
KK	IT RTBR 205 KK	99,00
DD	IT RTBR 205 DD	133,00
DZ	IT RTBR 205 DZ	133,00
SZ	IT RTBR 205 SZ	133,00

Soffione laterale
Nozzle
Buse
Düse



1/2 M 4 l/min

Showers & Thermostatics



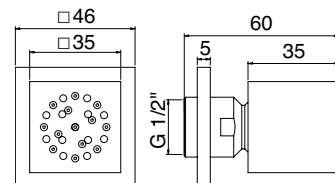
CC	IT RTBR 203 CC	94,00
NN	IT RTBR 203 NN	126,00
BB	IT RTBR 203 BB	126,00
NL	IT RTBR 203 NL	123,00
NF	IT RTBR 203 NF	123,00
HH	IT RTBR 203 HH	146,00
CZ	IT RTBR 203 CZ	146,00
US	IT RTBR 203 US	146,00
UZ	IT RTBR 203 UZ	146,00
KK	IT RTBR 203 KK	146,00
DD	IT RTBR 203 DD	196,00
DZ	IT RTBR 203 DZ	196,00
SZ	IT RTBR 203 SZ	196,00

Soffione laterale
Nozzle
Buse
Düse



1/2 M

4 l/min



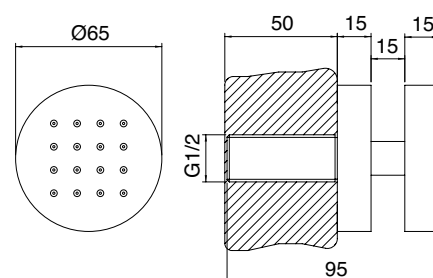
CC	IT RTBR 277 CC	112,00
NN	IT RTBR 277 NN	149,00
BB	IT RTBR 277 BB	149,00
NL	IT RTBR 277 NL	157,00
NF	IT RTBR 277 NF	157,00
HH	IT RTBR 277 HH	171,00
CZ	IT RTBR 277 CZ	171,00
DD	IT RTBR 277 DD	231,00
DZ	IT RTBR 277 DZ	231,00
SZ	IT RTBR 277 SZ	231,00

Soffione laterale
Nozzle
Buse
Düse



1/2 M

4 l/min



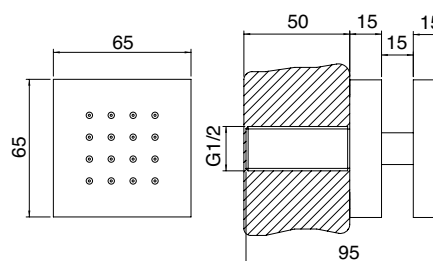
CC	IT RTBR 278 CC	163,00
NN	IT RTBR 278 NN	218,00
BB	IT RTBR 278 BB	218,00
NL	IT RTBR 278 NL	212,00
NF	IT RTBR 278 NF	212,00
HH	IT RTBR 278 HH	252,00
CZ	IT RTBR 278 CZ	252,00
DD	IT RTBR 278 DD	339,00
DZ	IT RTBR 278 DZ	339,00
SZ	IT RTBR 278 SZ	339,00

Soffione laterale
Nozzle
Buse
Düse



1/2 M

4 l/min



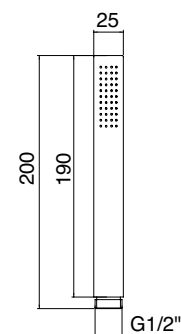
CC	IT RTDO 160 CC	46,00
NN	IT RTDO 160 NN	70,00
BB	IT RTDO 160 BB	70,00
NL	IT RTDO 160 NL	76,00
NF	IT RTDO 160 NF	76,00
HH	IT RTDO 160 HH	71,00
CZ	IT RTDO 160 CZ	71,00
US	IT RTDO 160 US	71,00
UZ	IT RTDO 160 UZ	71,00
KK	IT RTDO 160 KK	71,00
DD	IT RTDO 160 DD	89,00
DZ	IT RTDO 160 DZ	95,00
SZ	IT RTDO 160 SZ	95,00

Doccetta anticalcare
Anti-limescale hand-shower
Douchette anticalcaire
Antikalk Handbrause



METAL

8 l/min



Showers & Thermostatics

X-CHANGE

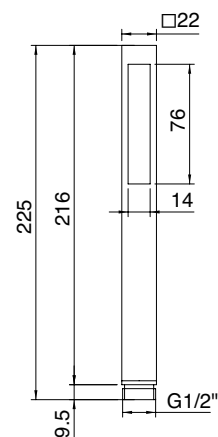
ELECTRONIC

SHOWERS & THERMOSTATICS



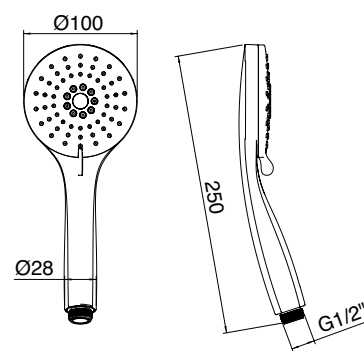
CC	IT	RTDO	164	CC	85,00
NN	IT	RTDO	164	NN	110,00
BB	IT	RTDO	164	BB	110,00
NL	IT	RTDO	164	NL	112,00
NF	IT	RTDO	164	NF	112,00
HH	IT	RTDO	164	HH	130,00
CZ	IT	RTDO	164	CZ	130,00
US	IT	RTDO	164	US	130,00
UZ	IT	RTDO	164	UZ	130,00
KK	IT	RTDO	164	KK	130,00
DD	IT	RTDO	164	DD	161,00
DZ	IT	RTDO	164	DZ	175,00
SZ	IT	RTDO	164	SZ	175,00

Doccetta anticalcare
Anti-limescale hand-shower
Douchette anticalcaire
Antikalk Handbrause



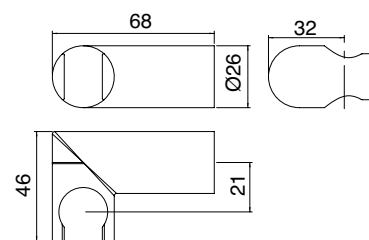
CC	IT	RTDO	168	CC	37,00
NN	IT	RTDO	168	NN	49,00
BB	IT	RTDO	168	BB	49,00
NF	IT	RTDO	168	NF	48,00

Doccetta anticalcare 3 getti
3 jets anti-limescale hand-shower
Douchette anticalcaire 3 jets
Antikalk Handbrause 3 jets



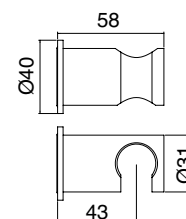
CC	IT	RTGA	133	CC	61,00
NN	IT	RTGA	133	NN	82,00
BB	IT	RTGA	133	BB	82,00
NL	IT	RTGA	133	NL	80,00
NF	IT	RTGA	133	NF	80,00
HH	IT	RTGA	133	HH	94,00
CZ	IT	RTGA	133	CZ	94,00
US	IT	RTGA	133	US	94,00
UZ	IT	RTGA	133	UZ	94,00
KK	IT	RTGA	133	KK	94,00
DD	IT	RTGA	133	DD	126,00
DZ	IT	RTGA	133	DZ	126,00
SZ	IT	RTGA	133	SZ	126,00

Gancio con snodo
Adjustable hand-shower hook
Support pour douchette réglable
Regulierbare Brausehalter



CC	IT	RTGA	120	CC	33,00
NN	IT	RTGA	120	NN	45,00
BB	IT	RTGA	120	BB	45,00
NL	IT	RTGA	120	NL	44,00
NF	IT	RTGA	120	NF	44,00
HH	IT	RTGA	120	HH	51,00
CZ	IT	RTGA	120	CZ	51,00
US	IT	RTGA	120	US	51,00
UZ	IT	RTGA	120	UZ	51,00
KK	IT	RTGA	120	KK	51,00
DD	IT	RTGA	120	DD	68,00
DZ	IT	RTGA	120	DZ	68,00
SZ	IT	RTGA	120	SZ	68,00

Gancio fisso
Hand-shower hook
Support pour douchette fixe
Brausehalter

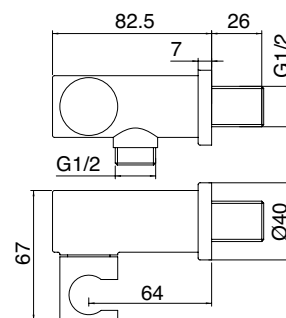


Showers & Thermostatics



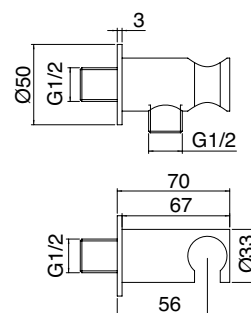
CC	IT RTGA 132 CC	62,00
NN	IT RTGA 132 NN	83,00
BB	IT RTGA 132 BB	83,00
NL	IT RTGA 132 NL	82,00
NF	IT RTGA 132 NF	82,00
HH	IT RTGA 132 HH	95,00
CZ	IT RTGA 132 CZ	95,00
US	IT RTGA 132 US	95,00
UZ	IT RTGA 132 UZ	95,00
KK	IT RTGA 132 KK	95,00
DD	IT RTGA 132 DD	129,00
DZ	IT RTGA 132 DZ	129,00
SZ	IT RTGA 132 SZ	129,00

Presca acqua con gancio snodato
Adjustable hand-shower hook with wall hose outlet
Support pour douchette réglable avec coude mural
Regulierbare Brausehalter mit Wandanschlussbogen



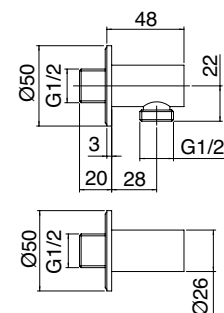
CC	IT RTGA 122 CC	55,00
NN	IT RTGA 122 NN	73,00
BB	IT RTGA 122 BB	73,00
NL	IT RTGA 122 NL	76,00
NF	IT RTGA 122 NF	76,00
HH	IT RTGA 122 HH	84,00
CZ	IT RTGA 122 CZ	84,00
US	IT RTGA 122 US	84,00
UZ	IT RTGA 122 UZ	84,00
KK	IT RTGA 122 KK	82,00
DD	IT RTGA 122 DD	105,00
DZ	IT RTGA 122 DZ	113,00
SZ	IT RTGA 122 SZ	113,00

Presca acqua con gancio fisso
Hand-shower hook with wall hose outlet
Support pour douchette fixe avec coude mural
Brausehalter mit Wandanschlussbogen



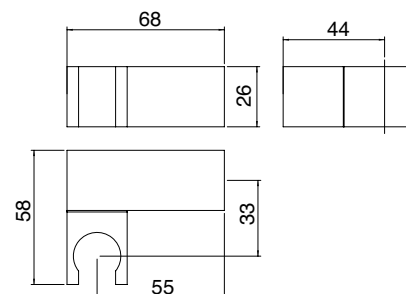
CC	IT RTGA 123 CC	25,00
NN	IT RTGA 123 NN	39,00
BB	IT RTGA 123 BB	39,00
NL	IT RTGA 123 NL	49,00
NF	IT RTGA 123 NF	49,00
HH	IT RTGA 123 HH	27,00
CZ	IT RTGA 123 CZ	27,00
US	IT RTGA 123 US	27,00
UZ	IT RTGA 123 UZ	27,00
KK	IT RTGA 123 KK	27,00
DD	IT RTGA 123 DD	34,00
DZ	IT RTGA 123 DZ	38,00
SZ	IT RTGA 123 SZ	38,00

Presca acqua a muro
Wall hose outlet
Coude mural
Wandanschlussbogen



CC	IT RTGA 116 CC	81,00
NN	IT RTGA 116 NN	107,00
BB	IT RTGA 116 BB	107,00
NL	IT RTGA 116 NL	103,00
NF	IT RTGA 116 NF	103,00
HH	IT RTGA 116 HH	123,00
CZ	IT RTGA 116 CZ	123,00
US	IT RTGA 116 US	123,00
UZ	IT RTGA 116 UZ	123,00
KK	IT RTGA 116 KK	123,00
DD	IT RTGA 116 DD	166,00
DZ	IT RTGA 116 DZ	166,00
SZ	IT RTGA 116 SZ	166,00

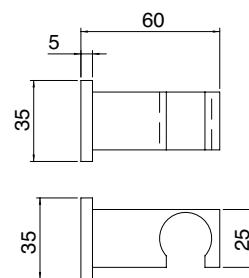
Gancio con snodo
Adjustable hand-shower hook
Support pour douchette réglable
Regulierbare Brausehalter





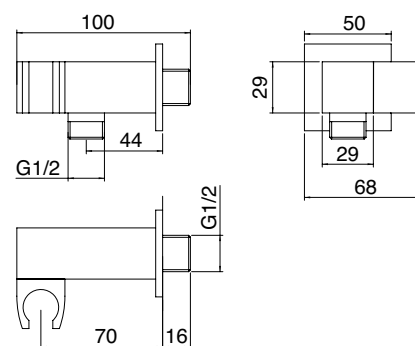
CC	IT RTGA 118 CC	65,00
NN	IT RTGA 118 NN	87,00
BB	IT RTGA 118 BB	87,00
NL	IT RTGA 118 NL	86,00
NF	IT RTGA 118 NF	86,00
HH	IT RTGA 118 HH	100,00
CZ	IT RTGA 118 CZ	100,00
US	IT RTGA 118 US	100,00
UZ	IT RTGA 118 UZ	100,00
KK	IT RTGA 118 KK	100,00
DD	IT RTGA 118 DD	135,00
DZ	IT RTGA 118 DZ	135,00
SZ	IT RTGA 118 SZ	135,00

Gancio fisso
Hand-shower hook
Support pour douche fixe
Brausehalter



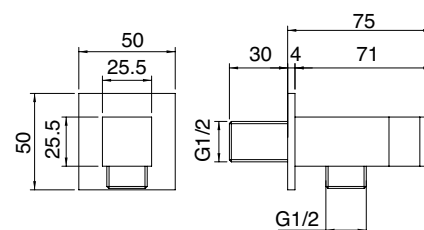
CC	IT RTGA 135 CC	89,00
NN	IT RTGA 135 NN	119,00
BB	IT RTGA 135 BB	119,00
NL	IT RTGA 135 NL	116,00
NF	IT RTGA 135 NF	116,00
HH	IT RTGA 135 HH	136,00
CZ	IT RTGA 135 CZ	136,00
US	IT RTGA 135 US	136,00
UZ	IT RTGA 135 UZ	136,00
KK	IT RTGA 135 KK	136,00
DD	IT RTGA 135 DD	185,00
DZ	IT RTGA 135 DZ	185,00
SZ	IT RTGA 135 SZ	185,00

Pres a acqua con gancio snodato
Adjustable hand-shower hook with wall hose outlet
Support pour douche réglable avec coude mural
Regulierbare Brausehalter mit Wandanschlussbogen



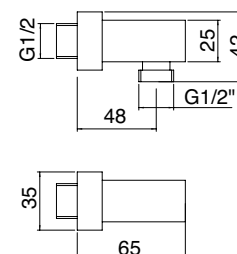
CC	IT RTGA 117 CC	77,00
NN	IT RTGA 117 NN	100,00
BB	IT RTGA 117 BB	100,00
NL	IT RTGA 117 NL	98,00
NF	IT RTGA 117 NF	98,00
HH	IT RTGA 117 HH	117,00
CZ	IT RTGA 117 CZ	117,00
US	IT RTGA 117 US	117,00
UZ	IT RTGA 117 UZ	117,00
KK	IT RTGA 117 KK	117,00
DD	IT RTGA 117 DD	157,00
DZ	IT RTGA 117 DZ	157,00
SZ	IT RTGA 117 SZ	157,00

Pres a acqua con gancio fisso
Hand-shower hook with wall hose outlet
Support pour douche fixe avec coude mural
Brausehalter mit Wandanschlussbogen



CC	IT RTGA 119 CC	39,00
NN	IT RTGA 119 NN	50,00
BB	IT RTGA 119 BB	50,00
NL	IT RTGA 119 NL	51,00
NF	IT RTGA 119 NF	51,00
HH	IT RTGA 119 HH	58,00
CZ	IT RTGA 119 CZ	58,00
US	IT RTGA 119 US	58,00
UZ	IT RTGA 119 UZ	58,00
KK	IT RTGA 119 KK	58,00
DD	IT RTGA 119 DD	73,00
DZ	IT RTGA 119 DZ	79,00
SZ	IT RTGA 119 SZ	79,00

Pres a acqua a muro
Wall hose outlet
Coude mural
Wandanschlussbogen



Showers & Thermostatics

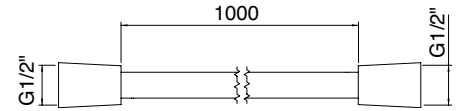


CC	IT RTFL 525 CC	23,00
NN	IT RTFL 525 NN	52,00
BB	IT RTFL 525 BB	52,00
NL	IT RTFL 525 NL	48,00
NF	IT RTFL 525 NF	48,00
HH	IT RTFL 525 HH	55,00
CZ	IT RTFL 525 CZ	55,00
US	IT RTFL 525 US	55,00
UZ	IT RTFL 525 UZ	55,00
KK	IT RTFL 525 KK	55,00
DD	IT RTFL 525 DD	61,00
DZ	IT RTFL 525 DZ	61,00
SZ	IT RTFL 525 SZ	61,00

Flessibile 1 m PVC metallizzato
Metalized PVC 1 m. flexible hose
Flexible 1 m en PVC métallisé
Brauseschlauch m 1 PVC metallisiert



1 M PVC

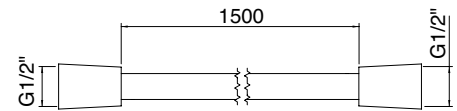


CC	IT RTFL 501 CC	23,00
NN	IT RTFL 501 NN	52,00
BB	IT RTFL 501 BB	52,00
NL	IT RTFL 501 NL	48,00
NF	IT RTFL 501 NF	48,00
HH	IT RTFL 501 HH	55,00
CZ	IT RTFL 501 CZ	55,00
US	IT RTFL 501 US	55,00
UZ	IT RTFL 501 UZ	55,00
KK	IT RTFL 501 KK	55,00
DD	IT RTFL 501 DD	61,00
DZ	IT RTFL 501 DZ	61,00
SZ	IT RTFL 501 SZ	61,00

Flessibile 1,5 m PVC metallizzato
Metalized PVC 1,5 m. flexible hose
Flexible 1,5 m en PVC métallisé
Brauseschlauch m 1,5 PVC metallisiert



1,5 M PVC

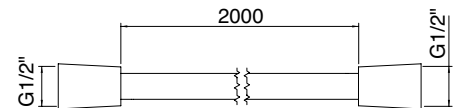


CC	IT RTFL 503 CC	37,00
NN	IT RTFL 503 NN	49,00
BB	IT RTFL 503 BB	49,00
NL	IT RTFL 503 NL	48,00
NF	IT RTFL 503 NF	48,00
HH	IT RTFL 503 HH	56,00
CZ	IT RTFL 503 CZ	56,00
US	IT RTFL 503 US	56,00
UZ	IT RTFL 503 UZ	56,00
KK	IT RTFL 503 KK	56,00
DD	IT RTFL 503 DD	76,00
DZ	IT RTFL 503 DZ	76,00
SZ	IT RTFL 503 SZ	76,00

Flessibile 2 m PVC metallizzato
Metalized PVC 2 m. flexible hose
Flexible 2 m en PVC métallisé
Brauseschlauch m 1 PVC metallisiert



2 M PVC

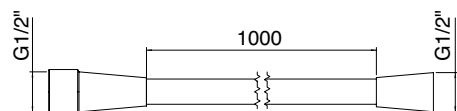


CC	RWIT 6565 CC 90	28,00
NN	RWIT 6565 NN 90	62,00
BB	RWIT 6565 BB 90	62,00
NL	RWIT 6565 NL 90	58,00
NF	RWIT 6565 NF 90	58,00
HH	RWIT 6565 HH 90	66,00
CZ	RWIT 6565 CZ 90	66,00
US	RWIT 6565 US 90	66,00
UZ	RWIT 6565 UZ 90	66,00
KK	RWIT 6565 KK 90	66,00
DD	RWIT 6565 DD 90	74,00
DZ	RWIT 6565 DZ 90	74,00
SZ	RWIT 6565 SZ 90	74,00

Flessibile 1 m PVC - PVC 1 m. flexible hose
Flexible 1 m en PVC - Brauseschlauch m 1 PVC
Art. RWIT 6565 __ 05 / RWIT 6565 __ 10



1 M PVC





Showers & Thermostatics



CC	RWIT 6594 CC 01	1.385,00
NN	RWIT 6594 NN 01	1.906,00
BB	RWIT 6594 BB 01	1.906,00
NF	RWIT 6594 NL 01	1.860,00

+ ● RWIT 6585 ZZ 20 195,00

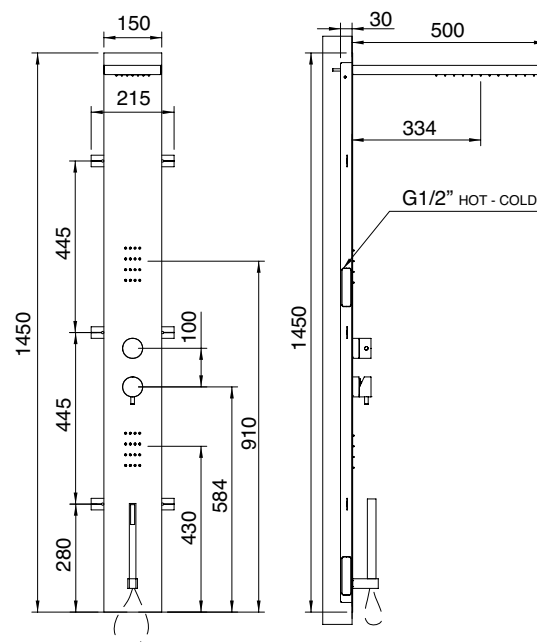
+ ● RWIT 6585 ZZ 40 195,00

● PARTI INCASSO - CONCEALED BODY
CORPS À ENCASTRER - UNTERPUTZTEIL

Gruppo doccia con doccetta e soffione anticalcare
Wall-mtd. shower set with anti-limescale hand-shower and shower head
Mitigeur mural, douchette et tête de douche anticalcaire
Regenbrause-Set mit, Antikalk Handbrause und Kopfbrause

● MARMO
MARBLE
MARBRE
MARMOR

● PIASTRELLE
TILES
CARREAUX
FLIESEN



CC	RWIT 6585 CC 02	1.496,00
NN	RWIT 6585 NN 02	2.054,00
BB	RWIT 6585 BB 02	2.054,00
NF	RWIT 6585 NL 02	2.004,00

+ ● RWIT 6585 ZZ 20 195,00

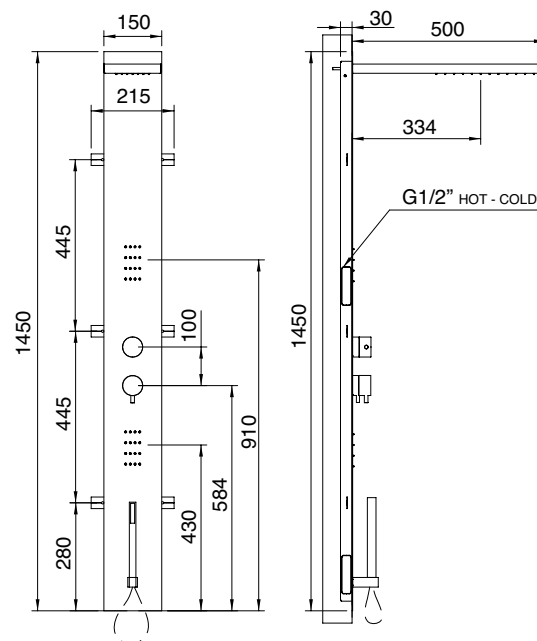
+ ● RWIT 6585 ZZ 40 195,00

● PARTI INCASSO - CONCEALED BODY
CORPS À ENCASTRER - UNTERPUTZTEIL

Gruppo doccia termostatico COAX con doccetta e soffione anticalcare
Wall-mtd. thermostatic COAX shower set with anti-limescale hand-shower and shower head
Mitigeur thermostatique COAX mural, douchette et tête de douche anticalcaire
Regenbrause-Set mit Thermostat-Armatur COAX, Antikalk Handbrause und Kopfbrause

● MARMO
MARBLE
MARBRE
MARMOR

● PIASTRELLE
TILES
CARREAUX
FLIESEN

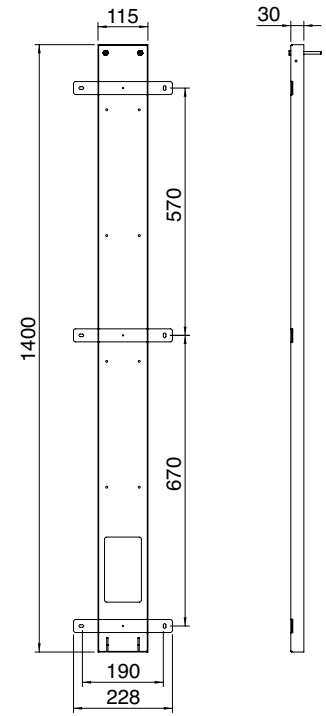




ZZ RWIT 6585 ZZ 20 195,00

Gruppo doccia / termostatico COAX con doccetta e soffione anticalcare - Parti incasso
 Wall-mtd. shower / thermostatic COAX set with anti-limescale hand-shower and shower head - Concealed body
 Mitigeur / thermostatique mural, douchette et tête de douche anticalcaire - Corps à encastrer
 Regenbrause-Set / Thermostat-Armatur COAX mit, Antikalk Handbrause und Kopfbrause - Unterputzteil

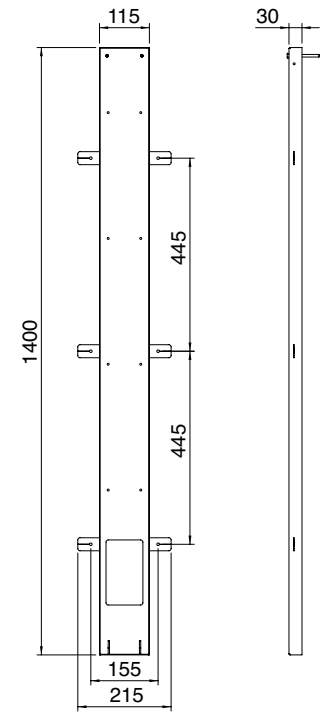
- MARMO
- MARBLE
- MARBRE
- MARMOR



ZZ RWIT 6585 ZZ 40 195,00

Gruppo doccia / termostatico COAX con doccetta e soffione anticalcare - Parti incasso
 Wall-mtd. shower / thermostatic COAX set with anti-limescale hand-shower and shower head - Concealed body
 Mitigeur / thermostatique mural, douchette et tête de douche anticalcaire - Corps à encastrer
 Regenbrause-Set / Thermostat-Armatur COAX mit, Antikalk Handbrause und Kopfbrause - Unterputzteil

- PIASTRELLE
- TILES
- CARREAUX
- FLIESEN



SHOWERS &
THERMOSTATICS

ELECTRONIC

X-CHANGE



Showers & Thermostatics

X-CHANGE

ELECTRONIC

SHOWERS & THERMOSTATICS

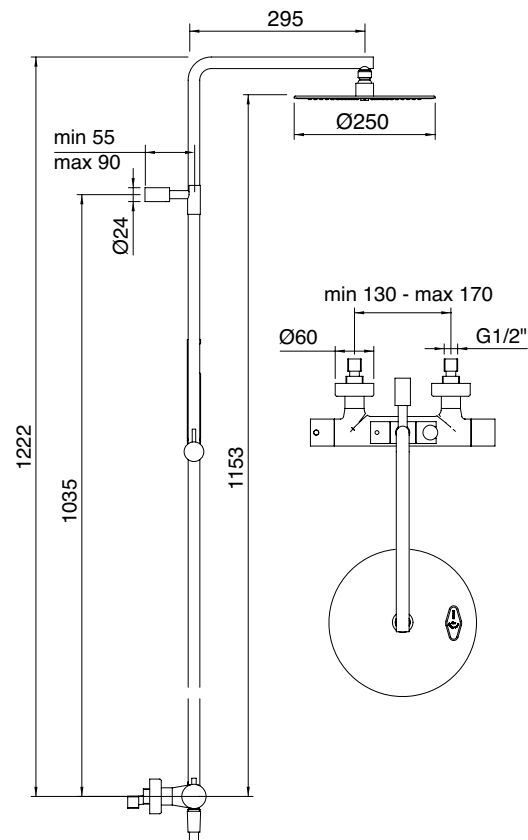


CC	RWIT 6581 CC 25	876,00
NN	RWIT 6581 NN 25	1.172,00
BB	RWIT 6581 BB 25	1.172,00
NL	RWIT 6581 NL 25	1.149,00
NF	RWIT 6581 NF 25	1.149,00
HH	RWIT 6581 HH 25	1.349,00
CZ	RWIT 6581 CZ 25	1.349,00
US	RWIT 6581 US 25	1.349,00
UZ	RWIT 6581 UZ 25	1.349,00
KK	RWIT 6581 KK 25	1.567,00
DD	RWIT 6581 DD 25	1.821,00
DZ	RWIT 6581 DZ 25	1.821,00
SZ	RWIT 6581 SZ 25	1.821,00

Gruppo doccia termostatico con doccetta e soffione anticalcare

Wall-mtd. thermostatic shower set with anti-limescale hand-shower and shower head
Mitigeur thermostatique mural, douchette et tête de douche anticalcaire

Regenbrause-Set mit Thermostat-Armatur, Antikalk Handbrause und Kopfbrause

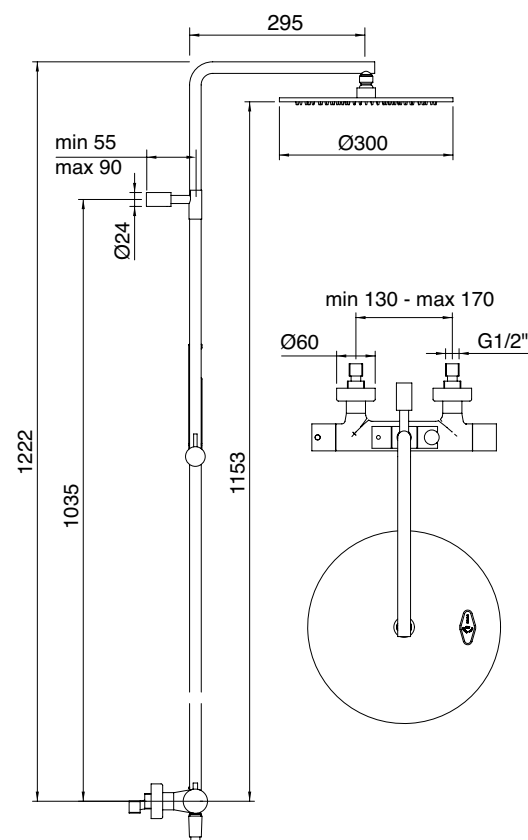


CC	IT 6581 CC ZZ ZZ	887,00
NN	IT 6581 NN ZZ ZZ	1.216,00
BB	IT 6581 BB ZZ ZZ	1.216,00
NL	IT 6581 NL ZZ ZZ	1.193,00
NF	IT 6581 NF ZZ ZZ	1.193,00
HH	IT 6581 HH ZZ ZZ	1.366,00
CZ	IT 6581 CZ ZZ ZZ	1.366,00
US	IT 6581 US ZZ ZZ	1.366,00
UZ	IT 6581 UZ ZZ ZZ	1.366,00
KK	IT 6581 KK ZZ ZZ	1.838,00
DD	IT 6581 DD ZZ ZZ	1.844,00
DZ	IT 6581 DZ ZZ ZZ	1.844,00
SZ	IT 6581 SZ ZZ ZZ	1.844,00

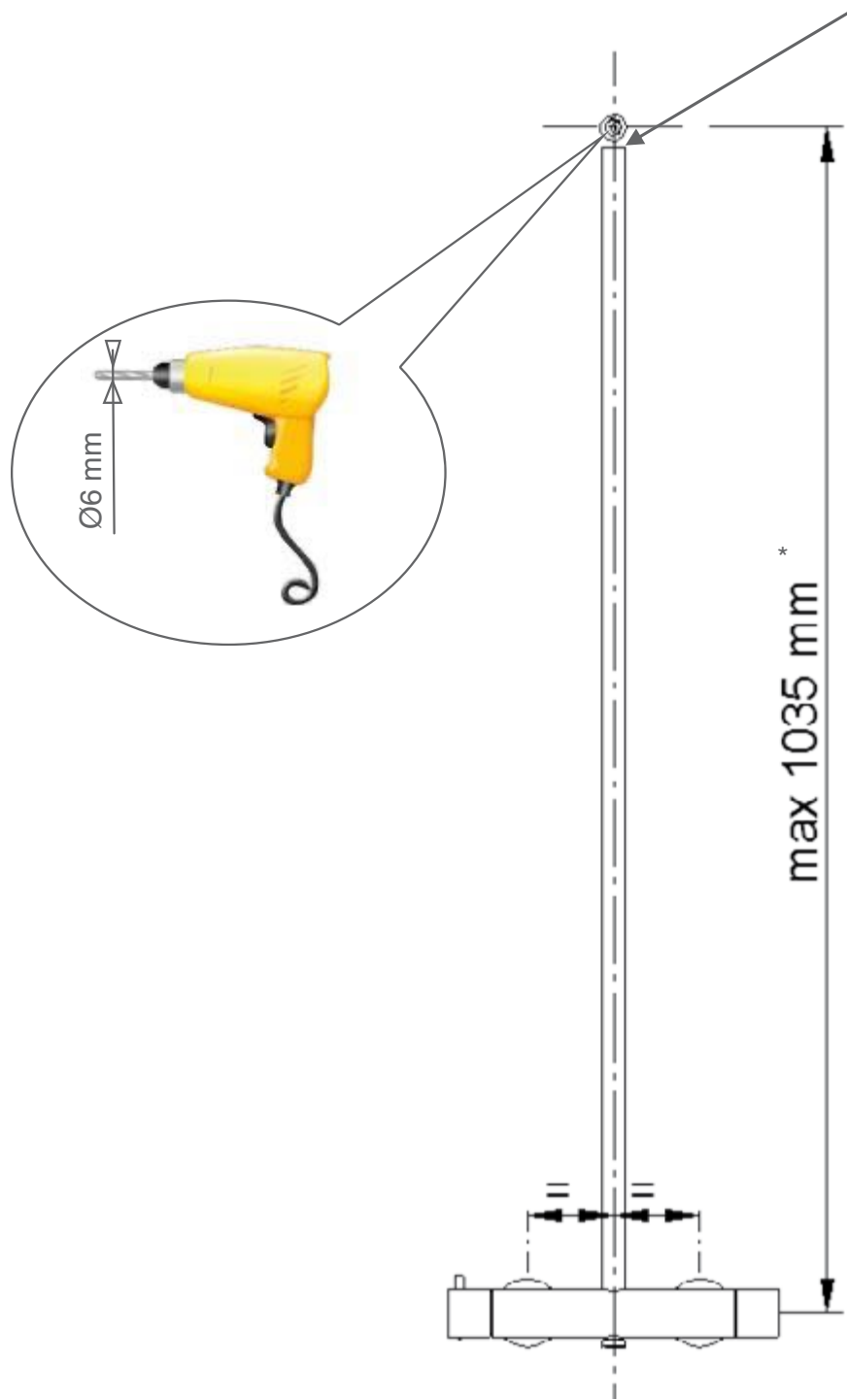
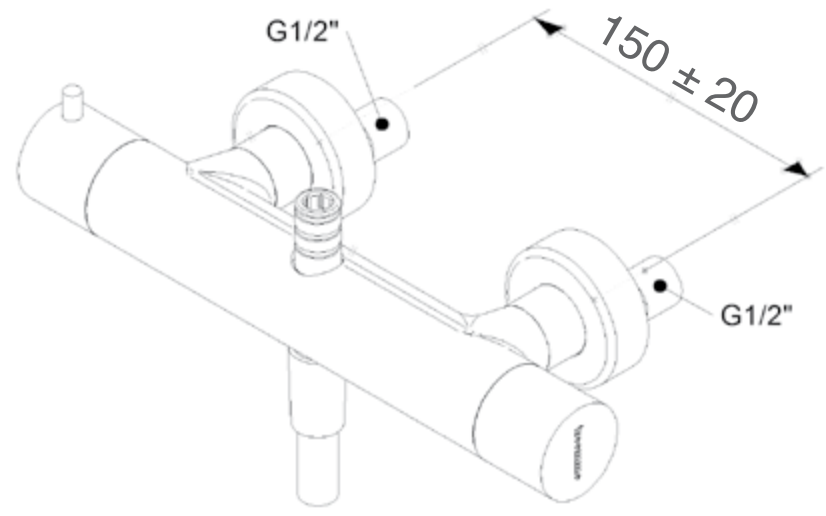
Gruppo doccia termostatico con doccetta e soffione anticalcare

Wall-mtd. thermostatic shower set with anti-limescale hand-shower and shower head
Mitigeur thermostatique mural, douchette et tête de douche anticalcaire

Regenbrause-Set mit Thermostat-Armatur, Antikalk Handbrause und Kopfbrause



Showers & Thermostatics



*
Tagliare qui per ridurre l'altezza
Cut here to reduce the height
Couper ici pour réduire la hauteur
Hier schneiden, um die Höhe zu reduzieren



RWIT 6581 DZ 25

SHOWERS &
THERMOSTATICS

ELECTRONIC

X-CHANGE

X-CHANGE

ELECTRONIC

SHOWERS &
THERMOSTATICS



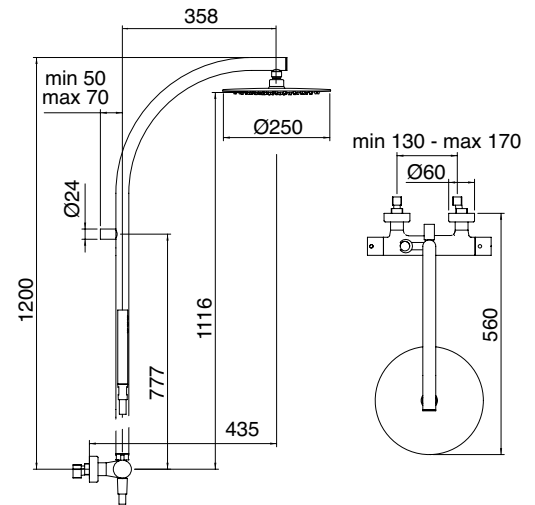
IT 6525 NF XM ZZ



CC	IT 6522 CC VL ZZ	1.315,00
NN	IT 6522 NN VL ZZ	1.748,00
BB	IT 6522 BB VL ZZ	1.748,00
NL	IT 6522 NL VL ZZ	1.709,00
NF	IT 6522 NF VL ZZ	1.709,00
HH	IT 6522 HH VL ZZ	2.024,00
CZ	IT 6522 CZ VL ZZ	2.024,00
US	IT 6522 US VL ZZ	2.024,00
UZ	IT 6522 UZ VL ZZ	2.024,00
KK	IT 6522 KK VL ZZ	2.024,00
DD	IT 6522 DD VL ZZ	2.733,00
DZ	IT 6522 DZ VL ZZ	2.733,00
SZ	IT 6522 SZ VL ZZ	2.733,00

Gruppo doccia termostatico con doccetta e soffione anticalcare

Wall-mtd. thermostatic shower set with anti-limescale hand-shower and shower head
Mitigeur thermostatique mural, douchette et tête de douche anticalcaire
Regenbrause-Set mit Thermostat-Armatur, Antikalk Handbrause und Kopfbrause



ITRTVT148ZZ



ITRTVT172ZZ



METAL 250 mm



FLEX

1,5 M PVC



METAL



N° 67



9 l/min



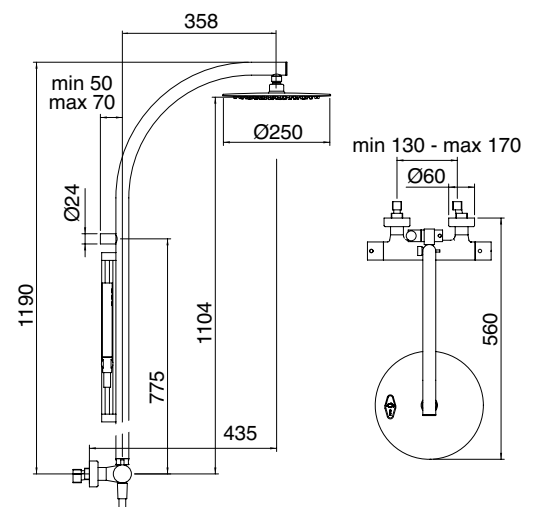
8 l/min



CC	IT 6523 CC VL ZZ	1.332,00
NN	IT 6523 NN VL ZZ	1.772,00
BB	IT 6523 BB VL ZZ	1.772,00
NL	IT 6523 NL VL ZZ	1.732,00
NF	IT 6523 NF VL ZZ	1.732,00
HH	IT 6523 HH VL ZZ	2.051,00
CZ	IT 6523 CZ VL ZZ	2.051,00
US	IT 6523 US VL ZZ	2.051,00
UZ	IT 6523 UZ VL ZZ	2.051,00
KK	IT 6523 KK VL ZZ	2.051,00
DD	IT 6523 DD VL ZZ	2.770,00
DZ	IT 6523 DZ VL ZZ	2.770,00
SZ	IT 6523 SZ VL ZZ	2.770,00

Gruppo doccia termostatico con doccetta e soffione anticalcare e saliscendi

Wall-mtd. thermostatic shower set with anti-limescale hand-shower, shower head and sliding bar
Mitigeur thermostatique mural, douchette, tête de douche anticalcaire et barre coulissante
Regenbrause-Set mit Thermostat-Armatur, Antikalk Handbrause, Kopfbrause und Gleitstange



ITRTVT148ZZ



ITRTVT172ZZ



METAL 250 mm



FLEX

1,5 M PVC



METAL



N° 67



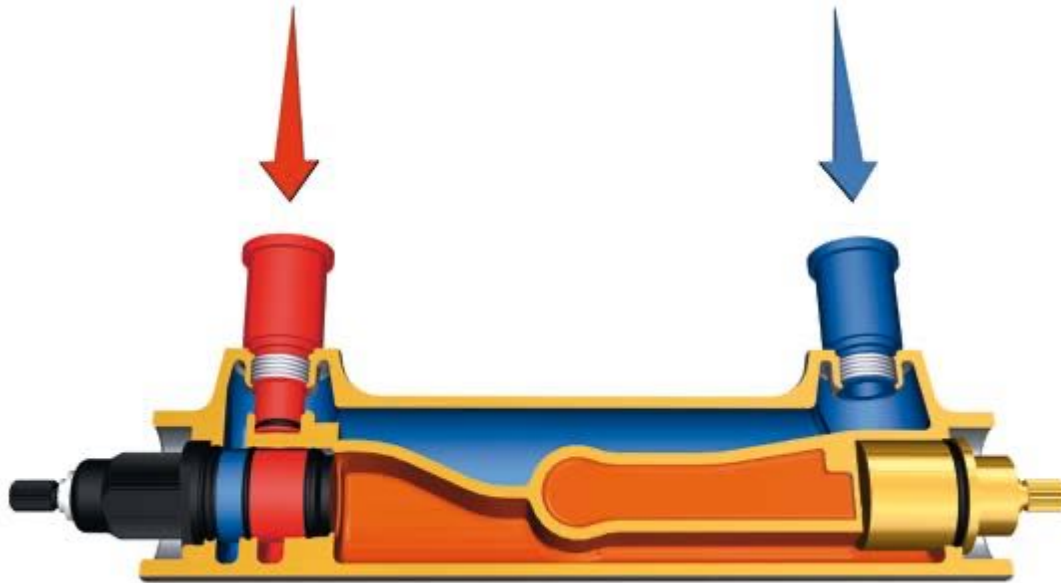
9 l/min



8 l/min



Showers & Thermostatics



COOL TOUCH:

Il particolare sistema COOL TOUCH permette di mantenere la temperatura del corpo rubinetto sempre adatta al tatto, evitando scottature. E' una particolare innovazione indicata soprattutto quando i principali utilizzatori sono bambini o persone anziane, dato che essi sono maggiormente esposti al rischio di scottarsi.

the special COOL TOUCH system enables keeping the temperature of the faucet adapted to touch, thus avoiding burns. this is a particular innovation very useful especially when the main users are children or elderly people, since they are more exposed to the risk of burns.

l'élément système COOL TOUCH permet de maintenir la température du corps robinet toujours adaptée au toucher, pour éviter des brûlures. il s'agit d'une innovation particulière indiquée surtout quand les principaux utilisateurs sont des enfants ou des personnes âgées, vu qu'ils sont davantage exposés au risque de brûlure.

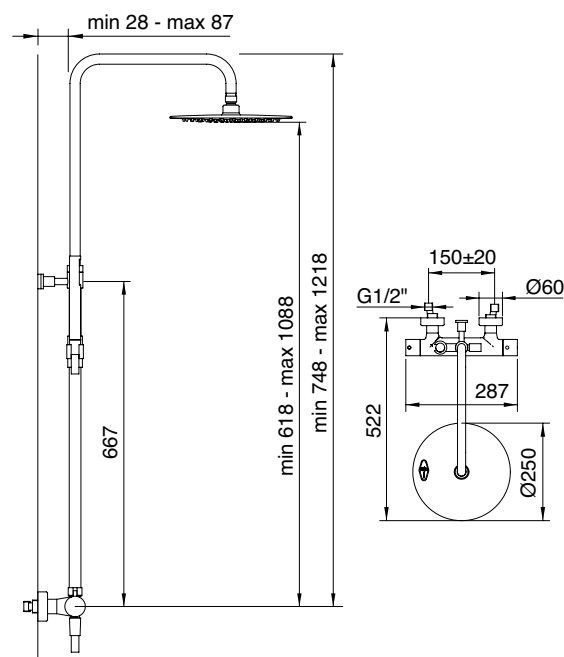
Das spezialsystem COOL TOUCH gestattet es, die temperatur des wasserhahnkörpers immer zum berühren geeignet zu erhalten und verhindert verbrennungen. dabei handelt es sich um eine innovation, die sich besonders dann eignen, wenn die hauptsächlichen benutzer kinder oder ältere menschen sind, denn diese sind der verbrennungsgefahr am meisten ausgesetzt.





CC	IT 5854 CC VL ZZ	884,00
NN	IT 5854 NN VL ZZ	1.177,00
BB	IT 5854 BB VL ZZ	1.177,00
NL	IT 5854 NL VL ZZ	1.150,00
NF	IT 5854 NF VL ZZ	1.150,00
HH	IT 5854 HH VL ZZ	1.362,00
CZ	IT 5854 CZ VL ZZ	1.362,00
US	IT 5854 US VL ZZ	1.362,00
UZ	IT 5854 UZ VL ZZ	1.362,00
KK	IT 5854 KK VL ZZ	1.362,00
DD	IT 5854 DD VL ZZ	1.838,00
DZ	IT 5854 DZ VL ZZ	1.838,00
SZ	IT 5854 SZ VL ZZ	1.838,00

Gruppo doccia termostatico con doccetta e soffione anticalcare
 Wall-mtd. thermostatic shower set with anti-limescale hand-shower and shower head
 Mitigeur thermostatique mural, douchette et tête de douche anticalcaire
 Regenbrause-Set mit Thermostat-Armatur, Antikalk Handbrause und Kopfbrause

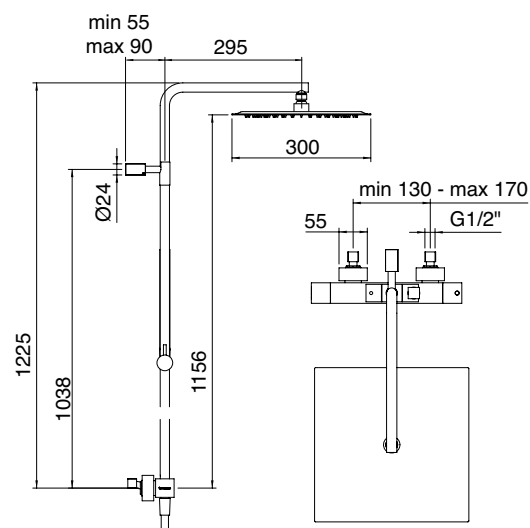


ITRTVT148ZZ ITRTVT172ZZ METAL 250 mm 1,5 M PVC METAL N° 67 9 l/min 8 l/min



CC	IT 6583 CC ZZ ZZ	1.103,00
NN	IT 6583 NN ZZ ZZ	1.465,00
BB	IT 6583 BB ZZ ZZ	1.465,00
NL	IT 6583 NL ZZ ZZ	1.432,00
NF	IT 6583 NF ZZ ZZ	1.432,00
HH	IT 6583 HH ZZ ZZ	1.696,00
CZ	IT 6583 CZ ZZ ZZ	1.696,00
US	IT 6583 US ZZ ZZ	1.696,00
UZ	IT 6583 UZ ZZ ZZ	1.696,00
KK	IT 6583 KK ZZ ZZ	1.696,00
DD	IT 6583 DD ZZ ZZ	2.290,00
DZ	IT 6583 DZ ZZ ZZ	2.290,00
SZ	IT 6583 SZ ZZ ZZ	2.290,00

Gruppo doccia termostatico con doccetta e soffione anticalcare
 Wall-mtd. thermostatic shower set with anti-limescale hand-shower and shower head
 Mitigeur thermostatique mural, douchette et tête de douche anticalcaire
 Regenbrause-Set mit Thermostat-Armatur, Antikalk Handbrause und Kopfbrause



ITRTVT148ZZ ITRTVT172ZZ METAL 300 mm 1,5 M PVC METAL N° 67 9 l/min 8 l/min P_660

Showers & Thermostatics



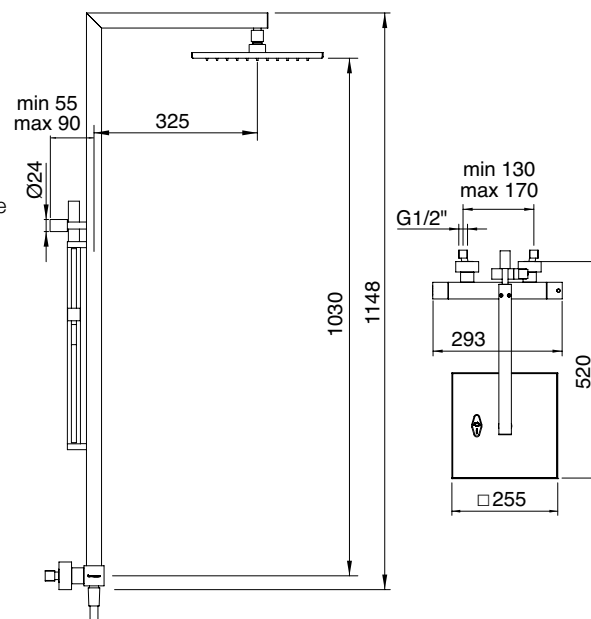
CC	IT 6525 CC XM ZZ	1.686,00
NN	IT 6525 NN XM ZZ	2.242,00
BB	IT 6525 BB XM ZZ	2.242,00
NL	IT 6525 NL XM ZZ	2.190,00
NF	IT 6525 NF XM ZZ	2.190,00
HH	IT 6525 HH XM ZZ	2.595,00
CZ	IT 6525 CZ XM ZZ	2.595,00
US	IT 6525 US XM ZZ	2.595,00
UZ	IT 6525 UZ XM ZZ	2.595,00
KK	IT 6525 KK XM ZZ	2.595,00
DD	IT 6525 DD XM ZZ	3.506,00
DZ	IT 6525 DZ XM ZZ	3.506,00
SZ	IT 6525 SZ XM ZZ	3.506,00

Gruppo doccia termostatico con doccetta e soffione anticalcare e saliscendi

Wall-mtd. thermostatic shower set with anti-limescale hand-shower, shower head and sliding bar

Mitigeur thermostatique mural, douchette, tête de douche anticalcaire et barre coulissante

Regenbrause-Set mit Thermostat-Armatur, Antikalk Handbrause, Kopfbrause und Gleitstange



ITRTVT148ZZ



ITRTVT172ZZ



METAL 250 mm



1,5 M PVC



METAL



N° 67



9 l/min



8 l/min



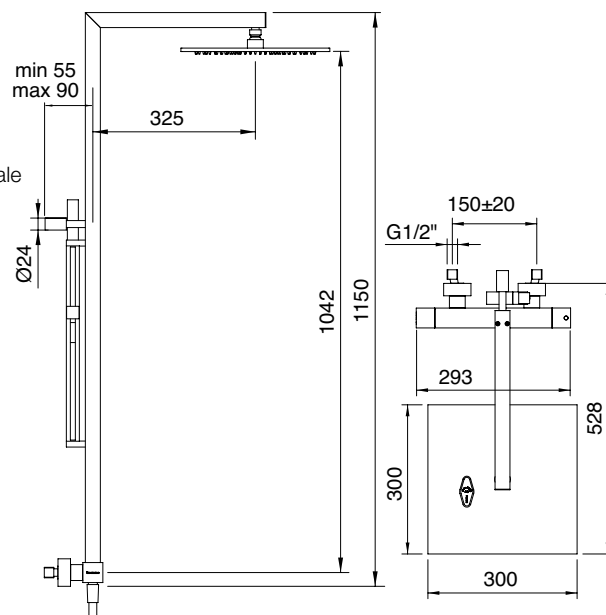
CC	IT 6525 CC XM 30	1.731,00
NN	IT 6525 NN XM 30	2.303,00
BB	IT 6525 BB XM 30	2.303,00
NL	IT 6525 NL XM 30	2.250,00
NF	IT 6525 NF XM 30	2.250,00
HH	IT 6525 HH XM 30	2.666,00
CZ	IT 6525 CZ XM 30	2.666,00
US	IT 6525 US XM 30	2.666,00
UZ	IT 6525 UZ XM 30	2.666,00
KK	IT 6525 KK XM 30	2.666,00
DD	IT 6525 DD XM 30	3.599,00
DZ	IT 6525 DZ XM 30	3.599,00
SZ	IT 6525 SZ XM 30	3.599,00

Gruppo doccia termostatico con doccetta e soffione anticalcare e saliscendi

Wall-mtd. thermostatic shower set with anti-limescale hand-shower, shower head and sliding bar

Mitigeur thermostatique mural, douchette, tête de douche anticalcaire et barre coulissante

Regenbrause-Set mit Thermostat-Armatur, Antikalk Handbrause, Kopfbrause und Gleitstange



ITRTVT148ZZ



ITRTVT172ZZ



METAL 300 mm



1,5 M PVC



METAL



N° 67



9 l/min



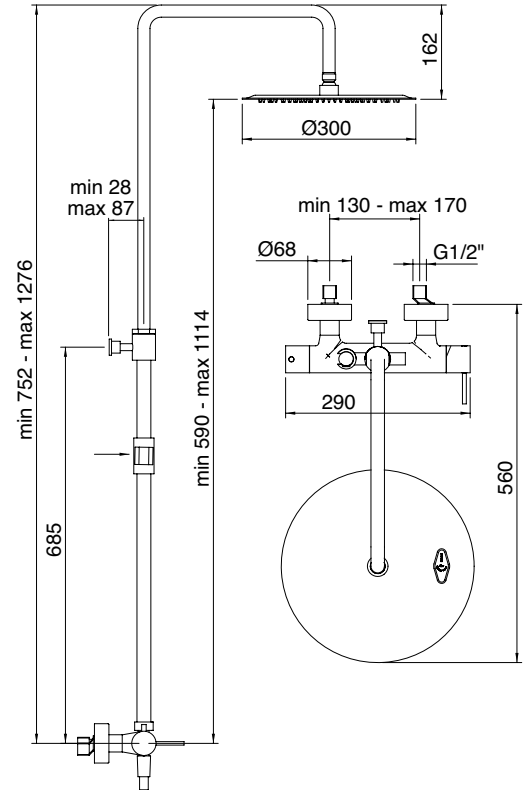
8 l/min





CC	IT 6B60 CC VL ZZ	834,00
NN	IT 6B60 NN VL ZZ	1.109,00
BB	IT 6B60 BB VL ZZ	1.109,00
NL	IT 6B60 NL VL ZZ	1.084,00
NF	IT 6B60 NF VL ZZ	1.084,00
HH	IT 6B60 HH VL ZZ	1.284,00
CZ	IT 6B60 CZ VL ZZ	1.284,00
US	IT 6B60 US VL ZZ	1.284,00
UZ	IT 6B60 UZ VL ZZ	1.284,00
KK	IT 6B60 KK VL ZZ	1.284,00
DD	IT 6B60 DD VL ZZ	1.733,00
DZ	IT 6B60 DZ VL ZZ	1.733,00
SZ	IT 6B60 SZ VL ZZ	1.733,00

Gruppo doccia con doccetta e soffione anticalcare
 Wall-mtd. shower set, anti-limescale
 hand-shower and shower head
 Mitigeur douche mural, douchette et tête
 de douche anticalcaire
 Regenbrause-Set, Antikalk Handbrause
 und Kopfbrause



ITRTVT131ZZ



ITRTVT213ZZ



METAL 300 mm



1,5 M PVC



METAL



N° 67



9 l/min



8 l/min

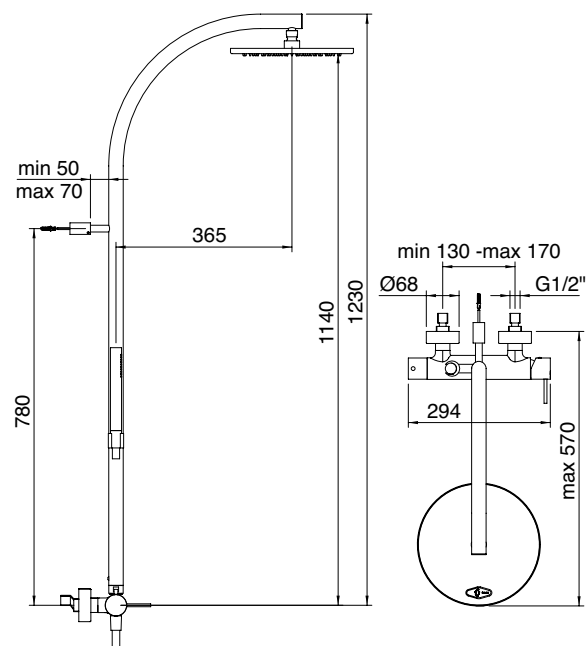


Showers & Thermostatics



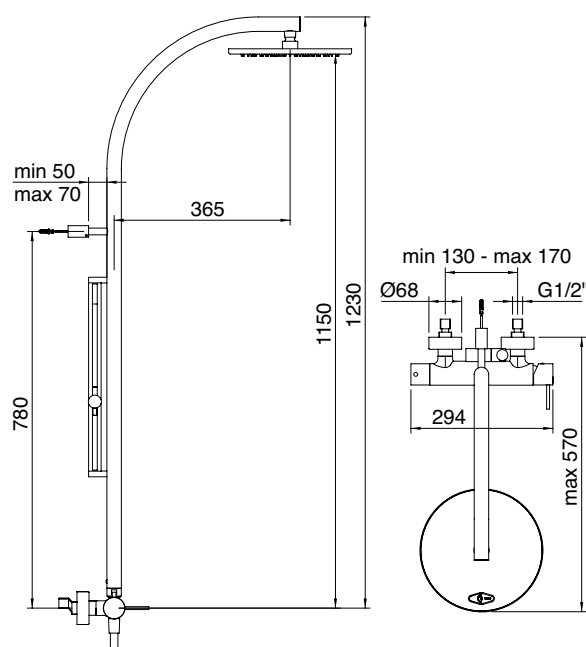
CC	RWIT 6500 CC 25	1.088,00
NN	RWIT 6500 NN 25	1.447,00
BB	RWIT 6500 BB 25	1.447,00
NL	RWIT 6500 NL 25	1.415,00
NF	RWIT 6500 NF 25	1.415,00
HH	RWIT 6500 HH 25	1.676,00
CZ	RWIT 6500 CZ 25	1.676,00
US	RWIT 6500 US 25	1.676,00
UZ	RWIT 6500 UZ 25	1.676,00
KK	RWIT 6500 KK 25	1.676,00
DD	RWIT 6500 DD 25	2.262,00
DZ	RWIT 6500 DZ 25	2.262,00
SZ	RWIT 6500 SZ 25	2.262,00

Gruppo doccia con doccetta e soffione anticalcare
 Wall-mtd. shower set, anti-limescale
 hand-shower and shower head
 Mitigeur douche mural, douchette et tête
 de douche anticalcaire
 Regenbrause-Set, Antikalk Handbrause
 und Kopfbrause



CC	RWIT 6516 CC 25	1.247,00
NN	RWIT 6516 NN 25	1.658,00
BB	RWIT 6516 BB 25	1.658,00
NL	RWIT 6516 NL 25	1.621,00
NF	RWIT 6516 NF 25	1.621,00
HH	RWIT 6516 HH 25	1.919,00
CZ	RWIT 6516 CZ 25	1.919,00
US	RWIT 6516 US 25	1.919,00
UZ	RWIT 6516 UZ 25	1.919,00
KK	RWIT 6516 KK 25	1.919,00
DD	RWIT 6516 DD 25	2.592,00
DZ	RWIT 6516 DZ 25	2.592,00
SZ	RWIT 6516 SZ 25	2.592,00

Gruppo doccia con doccetta e soffione
 anticalcare e saliscendi
 Wall-mtd. shower set, anti-limescale
 hand-shower, shower head and sliding bar
 Mitigeur douche mural, douchette, tête
 de douche anticalcaire et barre coulissante
 Regenbrause-Set, Antikalk Handbrause,
 Kopfbrause und Gleitstange



Showers & Thermostatics

X-CHANGE

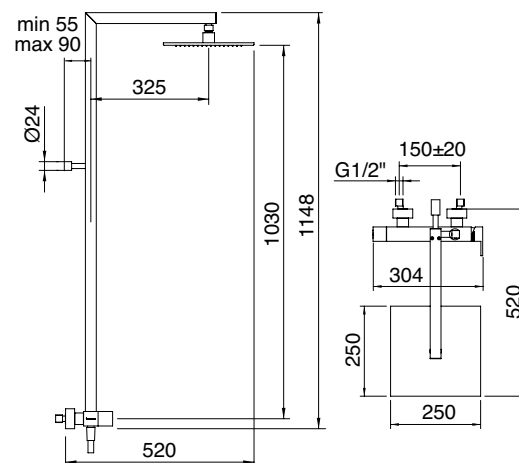
ELECTRONIC

SHOWERS & THERMOSTATICS



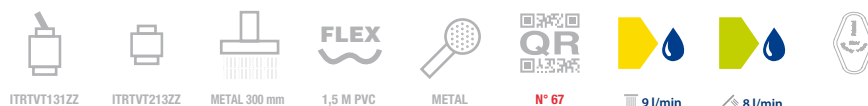
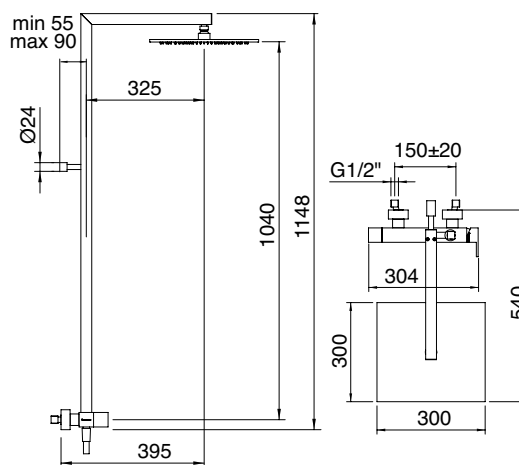
CC	IT 6501	CC ZZ ZZ	1.440,00
NN	IT 6501	NN ZZ ZZ	1.916,00
BB	IT 6501	BB ZZ ZZ	1.916,00
NL	IT 6501	NL ZZ ZZ	1.872,00
NF	IT 6501	NF ZZ ZZ	1.872,00
HH	IT 6501	HH ZZ ZZ	2.218,00
CZ	IT 6501	CZ ZZ ZZ	2.218,00
US	IT 6501	US ZZ ZZ	2.218,00
UZ	IT 6501	UZ ZZ ZZ	2.218,00
KK	IT 6501	KK ZZ ZZ	2.218,00
DD	IT 6501	DD ZZ ZZ	2.995,00
DZ	IT 6501	DZ ZZ ZZ	2.995,00
SZ	IT 6501	SZ ZZ ZZ	2.995,00

Gruppo doccia con doccetta e soffione anticalcare
 Wall-mtd. shower set, anti-limescale
 hand-shower and shower head
 Mitigeur douche mural, douchette et tête
 de douche anticalcaire
 Regenbrause-Set, Antikalk Handbrause
 und Kopfbrause



CC	IT 6501	CC ZZ 30	1.490,00
NN	IT 6501	NN ZZ 30	1.980,00
BB	IT 6501	BB ZZ 30	1.980,00
NL	IT 6501	NL ZZ 30	1.936,00
NF	IT 6501	NF ZZ 30	1.936,00
HH	IT 6501	HH ZZ 30	2.293,00
CZ	IT 6501	CZ ZZ 30	2.293,00
US	IT 6501	US ZZ 30	2.293,00
UZ	IT 6501	UZ ZZ 30	2.293,00
KK	IT 6501	KK ZZ 30	2.293,00
DD	IT 6501	DD ZZ 30	3.097,00
DZ	IT 6501	DZ ZZ 30	3.097,00
SZ	IT 6501	SZ ZZ 30	3.097,00

Gruppo doccia con doccetta e soffione anticalcare
 Wall-mtd. shower set, anti-limescale
 hand-shower and shower head
 Mitigeur douche mural, douchette et tête
 de douche anticalcaire
 Regenbrause-Set, Antikalk Handbrause
 und Kopfbrause

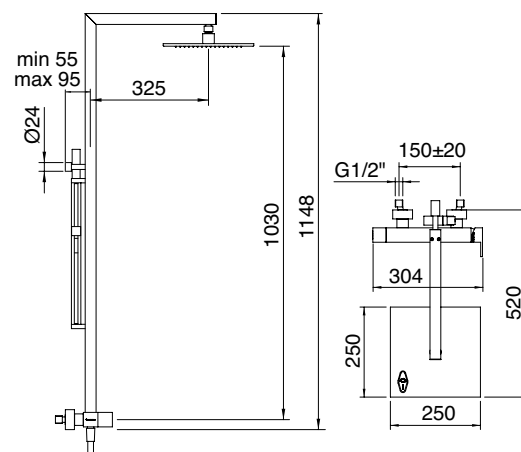


Showers & Thermostatics



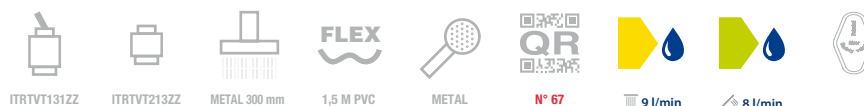
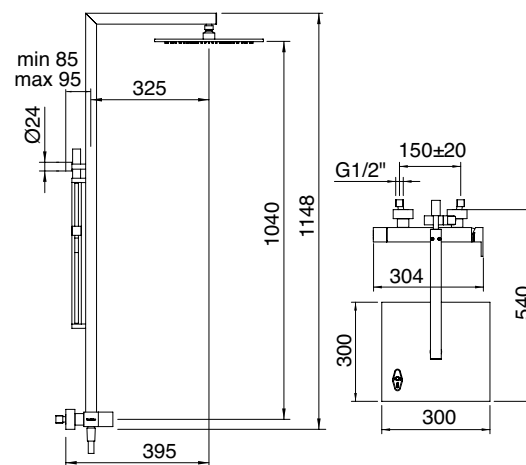
CC	IT 5660 CC QQ ZZ	1.622,00
NN	IT 5660 NN QQ ZZ	2.156,00
BB	IT 5660 BB QQ ZZ	2.156,00
NL	IT 5660 NL QQ ZZ	2.109,00
NF	IT 5660 NF QQ ZZ	2.109,00
HH	IT 5660 HH QQ ZZ	2.497,00
CZ	IT 5660 CZ QQ ZZ	2.497,00
US	IT 5660 US QQ ZZ	2.497,00
UZ	IT 5660 UZ QQ ZZ	2.497,00
KK	IT 5660 KK QQ ZZ	2.497,00
DD	IT 5660 DD QQ ZZ	3.373,00
DZ	IT 5660 DZ QQ ZZ	3.373,00
SZ	IT 5660 SZ QQ ZZ	3.373,00

Gruppo doccia con doccetta e soffione anticalcare e saliscendi
 Wall-mtd. shower set, anti-limescale hand-shower, shower head and sliding bar
 Mitigeur douche mural, douchette, tête de douche anticalcaire et barre coulissante
 Regenbrause-Set, Antikalk Handbrause, Kopfbrause und Gleitstange



CC	IT 5660 CC QQ 30	1.671,00
NN	IT 5660 NN QQ 30	2.222,00
BB	IT 5660 BB QQ 30	2.222,00
NL	IT 5660 NL QQ 30	2.173,00
NF	IT 5660 NF QQ 30	2.173,00
HH	IT 5660 HH QQ 30	2.572,00
CZ	IT 5660 CZ QQ 30	2.572,00
US	IT 5660 US QQ 30	2.572,00
UZ	IT 5660 UZ QQ 30	2.572,00
KK	IT 5660 KK QQ 30	2.572,00
DD	IT 5660 DD QQ 30	3.475,00
DZ	IT 5660 DZ QQ 30	3.475,00
SZ	IT 5660 SZ QQ 30	3.475,00

Gruppo doccia con doccetta e soffione anticalcare e saliscendi
 Wall-mtd. shower set, anti-limescale hand-shower, shower head and sliding bar
 Mitigeur douche mural, douchette, tête de douche anticalcaire et barre coulissante
 Regenbrause-Set, Antikalk Handbrause, Kopfbrause und Gleitstange

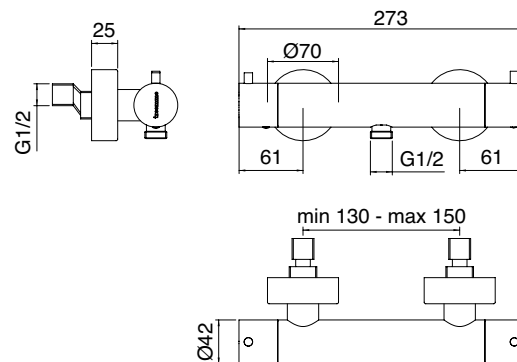


Showers & Thermostatics



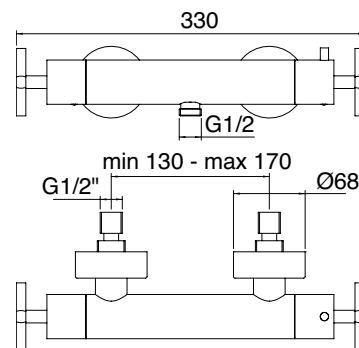
CC	IT 5845 CC VL ZZ	488,00
NN	IT 5845 NN VL ZZ	634,00
BB	IT 5845 BB VL ZZ	634,00
NL	IT 5845 NL VL ZZ	651,00
NF	IT 5845 NF VL ZZ	651,00
HH	IT 5845 HH VL ZZ	751,00
CZ	IT 5845 CZ VL ZZ	751,00
US	IT 5845 US VL ZZ	751,00
UZ	IT 5845 UZ VL ZZ	751,00
KK	IT 5845 KK VL ZZ	732,00
DD	IT 5845 DD VL ZZ	1.014,00
DZ	IT 5845 DZ VL ZZ	1.014,00
SZ	IT 5845 SZ VL ZZ	1.014,00

Termostatico esterno doccia
Wall-mtd. thermostatic mixer
Thermostatique mural
AP-Thermostat



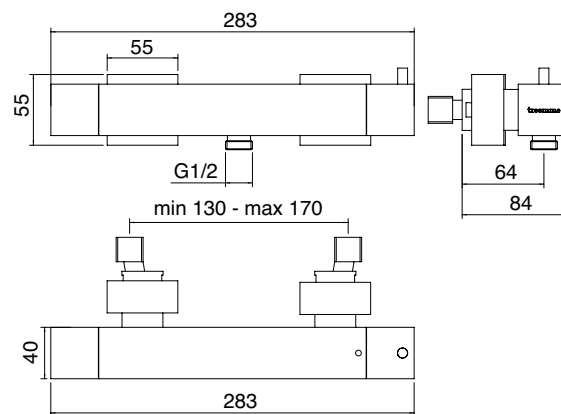
CC	IT 7288 CC XC ZZ	521,00
NN	IT 7288 NN XC ZZ	692,00
BB	IT 7288 BB XC ZZ	692,00
NL	IT 7288 NL XC ZZ	677,00
NF	IT 7288 NF XC ZZ	677,00
HH	IT 7288 HH XC ZZ	801,00
CZ	IT 7288 CZ XC ZZ	801,00
US	IT 7288 US XC ZZ	801,00
UZ	IT 7288 UZ XC ZZ	801,00
KK	IT 7288 KK XC ZZ	801,00
DD	IT 7288 DD XC ZZ	1.081,00
DZ	IT 7288 DZ XC ZZ	1.081,00
SZ	IT 7288 SZ XC ZZ	1.081,00

Termostatico esterno doccia
Wall-mtd. thermostatic mixer
Thermostatique mural
AP-Thermostat



CC	IT 7645 CC XM ZZ	521,00
NN	IT 7645 NN XM ZZ	692,00
BB	IT 7645 BB XM ZZ	692,00
NL	IT 7645 NL XM ZZ	677,00
NF	IT 7645 NF XM ZZ	677,00
HH	IT 7645 HH XM ZZ	801,00
CZ	IT 7645 CZ XM ZZ	801,00
US	IT 7645 US XM ZZ	801,00
UZ	IT 7645 UZ XM ZZ	801,00
KK	IT 7645 KK XM ZZ	801,00
DD	IT 7645 DD XM ZZ	1.081,00
DZ	IT 7645 DZ XM ZZ	1.081,00
SZ	IT 7645 SZ XM ZZ	1.081,00

Termostatico esterno doccia
Wall-mtd. thermostatic mixer
Thermostatique mural
AP-Thermostat

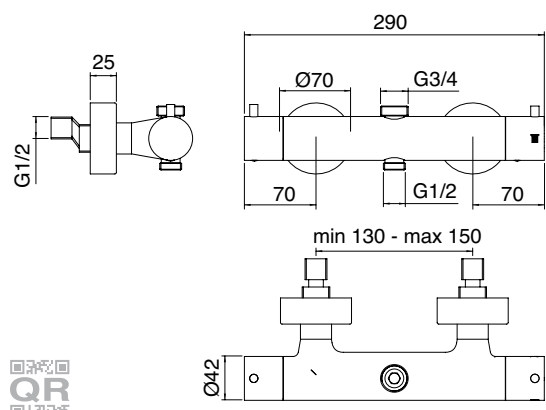


Showers & Thermostatics



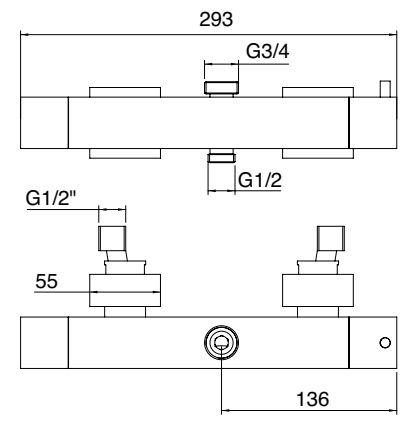
CC	IT 5853 CC VL ZZ	407,00
NN	IT 5853 NN VL ZZ	528,00
BB	IT 5853 BB VL ZZ	528,00
NL	IT 5853 NL VL ZZ	542,00
NF	IT 5853 NF VL ZZ	542,00
HH	IT 5853 HH VL ZZ	627,00
CZ	IT 5853 CZ VL ZZ	627,00
US	IT 5853 US VL ZZ	627,00
UZ	IT 5853 UZ VL ZZ	627,00
KK	IT 5853 KK VL ZZ	610,00
DD	IT 5853 DD VL ZZ	845,00
DZ	IT 5853 DZ VL ZZ	845,00
SZ	IT 5853 SZ VL ZZ	845,00

Termostatico esterno doccia 3/4" - 1/2"
Wall-mtd. thermostatic mixer 3/4" - 1/2"
Thermostatique mural 3/4" - 1/2"
AP-Thermostat 3/4" - 1/2"



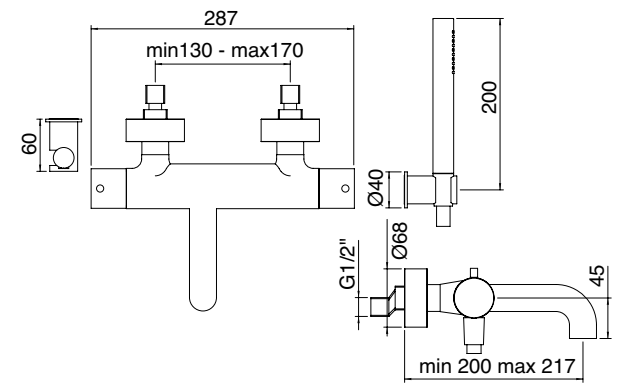
CC	IT 5653 CC QQ ZZ	543,00
NN	IT 5653 NN QQ ZZ	721,00
BB	IT 5653 BB QQ ZZ	721,00
NL	IT 5653 NL QQ ZZ	705,00
NF	IT 5653 NF QQ ZZ	705,00
HH	IT 5653 HH QQ ZZ	835,00
CZ	IT 5653 CZ QQ ZZ	835,00
US	IT 5653 US QQ ZZ	835,00
UZ	IT 5653 UZ QQ ZZ	835,00
KK	IT 5653 KK QQ ZZ	835,00
DD	IT 5653 DD QQ ZZ	1.127,00
DZ	IT 5653 DZ QQ ZZ	1.127,00
SZ	IT 5653 SZ QQ ZZ	1.127,00

Termostatico esterno doccia 3/4" - 1/2"
Wall-mtd. thermostatic mixer 3/4" - 1/2"
Thermostatique mural 3/4" - 1/2"
AP-Thermostat 3/4" - 1/2"



CC	IT 6B01 CC UP ZZ	530,00
NN	IT 6B01 NN UP ZZ	705,00
BB	IT 6B01 BB UP ZZ	705,00
NL	IT 6B01 NL UP ZZ	690,00
NF	IT 6B01 NF UP ZZ	690,00
HH	IT 6B01 HH UP ZZ	816,00
CZ	IT 6B01 CZ UP ZZ	816,00
US	IT 6B01 US UP ZZ	816,00
UZ	IT 6B01 UZ UP ZZ	816,00
KK	IT 6B01 KK UP ZZ	816,00
DD	IT 6B01 DD UP ZZ	1.103,00
DZ	IT 6B01 DZ UP ZZ	1.103,00
SZ	IT 6B01 SZ UP ZZ	1.103,00

Gruppo vasca termostatico
Thermostatic bathtub mixer
Mitigeur thermostatique bain douche mural
AP-Badewanne Thermostat





SHOWERS &
THERMOSTATICS

ELECTRONIC

X-CHANGE

IT 5853 NN VL ZZ

Showers & Thermostatics

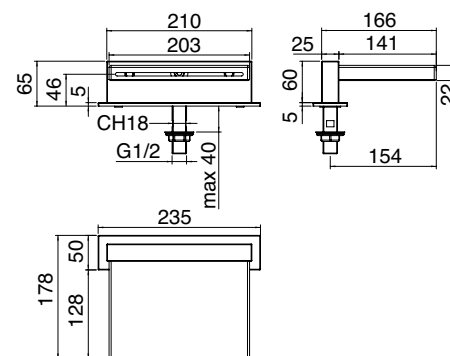


CC	IT 6578 CC ZZ ZZ	681,00
NN	IT 6578 NN ZZ ZZ	905,00
BB	IT 6578 BB ZZ ZZ	905,00
NL	IT 6578 NL ZZ ZZ	884,00
NF	IT 6578 NF ZZ ZZ	884,00
HH	IT 6578 HH ZZ ZZ	1.048,00
CZ	IT 6578 CZ ZZ ZZ	1.048,00
DD	IT 6578 DD ZZ ZZ	1.415,00
DZ	IT 6578 DZ ZZ ZZ	1.415,00
SZ	IT 6578 SZ ZZ ZZ	1.415,00

Bocca a cascata per vasca
Bathtub spout
Bec cascade bain
Kaskade Auslauf



1/2 M 26 l/min

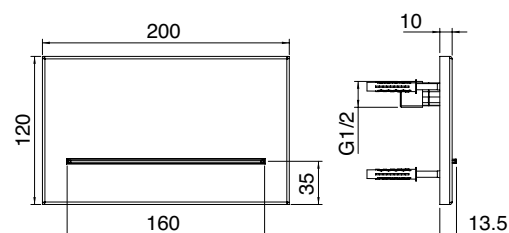


CC	RWIT 6573 CC 05	536,00
NN	RWIT 6573 NN 05	713,00
BB	RWIT 6573 BB 05	713,00
NL	RWIT 6573 NL 05	697,00
NF	RWIT 6573 NF 05	697,00
HH	RWIT 6573 HH 05	826,00
CZ	RWIT 6573 CZ 05	826,00
DD	RWIT 6573 DD 05	1.115,00
DZ	RWIT 6573 DZ 05	1.115,00
SZ	RWIT 6573 SZ 05	1.115,00

Bocca ad incasso
Concealed spout
Bec à encastrer
UP-Einlauf



METAL 1/2 M 15 l/min



Cleaning - Flushing

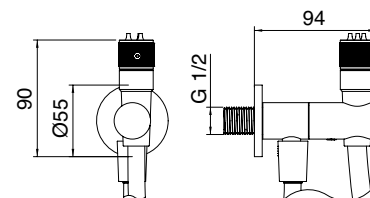


CC	RWIT 6565 CC 05	273,00
NN	RWIT 6565 NN 05	364,00
BB	RWIT 6565 BB 05	364,00
NL	RWIT 6565 NL 05	356,00
NF	RWIT 6565 NF 05	356,00
HH	RWIT 6565 HH 05	422,00
CZ	RWIT 6565 CZ 05	422,00
US	RWIT 6565 US 05	422,00
UZ	RWIT 6565 UZ 05	422,00
KK	RWIT 6565 KK 05	422,00
DD	RWIT 6565 DD 05	569,00
DZ	RWIT 6565 DZ 05	569,00
SZ	RWIT 6565 SZ 05	569,00

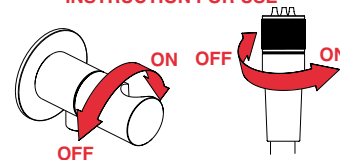
Idroscopino per WC
WC hand shower set
Douchette pour WC
Handbrause Set für WC



1 M PVC METAL 4 l/min 1/2 M



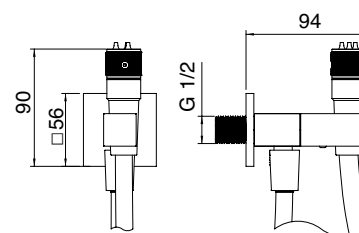
INSTRUCTION FOR USE



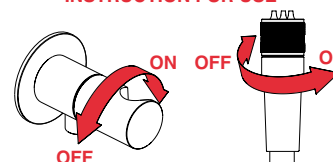


CC	RWIT 6565 CC 10	289,00
NN	RWIT 6565 NN 10	385,00
BB	RWIT 6565 BB 10	385,00
NL	RWIT 6565 NL 10	375,00
NF	RWIT 6565 NF 10	375,00
HH	RWIT 6565 HH 10	445,00
CZ	RWIT 6565 CZ 10	445,00
US	RWIT 6565 US 10	445,00
UZ	RWIT 6565 UZ 10	445,00
KK	RWIT 6565 KK 10	445,00
DD	RWIT 6565 DD 10	601,00
DZ	RWIT 6565 DZ 10	601,00
SZ	RWIT 6565 SZ 10	601,00

Idroscopino per WC
WC hand shower set
Douchette pour WC
Handbrause Set für WC



INSTRUCTION FOR USE

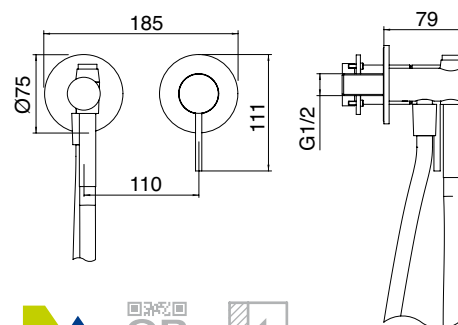


CC	RWIT 6BD4 CC 02	234,00
NN	RWIT 6BD4 NN 02	332,00
BB	RWIT 6BD4 BB 02	332,00
NL	RWIT 6BD4 NL 02	328,00
NF	RWIT 6BD4 NF 02	328,00
HH	RWIT 6BD4 HH 02	402,00
CZ	RWIT 6BD4 CZ 02	402,00
US	RWIT 6BD4 US 02	402,00
UZ	RWIT 6BD4 UZ 02	402,00
KK	RWIT 6BD4 KK 02	402,00
DD	RWIT 6BD4 DD 02	517,00
DZ	RWIT 6BD4 DZ 02	517,00
SZ	RWIT 6BD4 SZ 02	517,00

Miscelatore incasso con doccia per WC
Concealed mixer with wc hand shower
Mitigeur à encastrer avec douchette WC
U-P Mischer mit WC Handbrause



RWIT 51A5 ZZ 01 138,00
+ PARTI INCASSO - CONCEALED BODY
CORPS À ENCASTRER - UNTERPUTZTEIL

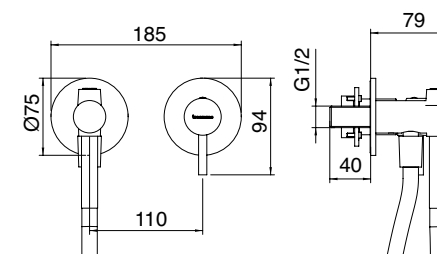


CC	RWIT 58D4 CC 05	221,00
NN	RWIT 58D4 NN 05	313,00
BB	RWIT 58D4 BB 05	313,00
NL	RWIT 58D4 NL 05	308,00
NF	RWIT 58D4 NF 05	308,00
HH	RWIT 58D4 HH 05	379,00
CZ	RWIT 58D4 CZ 05	379,00
DZ	RWIT 58D4 DZ 05	487,00
SZ	RWIT 58D4 SZ 05	487,00

Miscelatore incasso con doccia per WC
Concealed mixer with wc hand shower
Mitigeur à encastrer avec douchette WC
U-P Mischer mit WC Handbrause



RWIT 51A5 ZZ 01 138,00
+ PARTI INCASSO - CONCEALED BODY
CORPS À ENCASTRER - UNTERPUTZTEIL

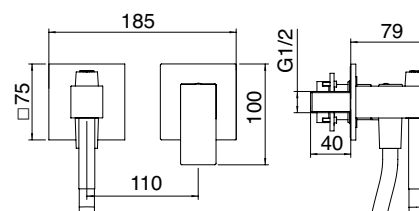


CC	RWIT 4BD4 CC 02	276,00
NN	RWIT 4BD4 NN 02	392,00
BB	RWIT 4BD4 BB 02	392,00
NL	RWIT 4BD4 NL 02	386,00
NF	RWIT 4BD4 NF 02	386,00
HH	RWIT 4BD4 HH 02	474,00
CZ	RWIT 4BD4 CZ 02	474,00
UZ	RWIT 4BD4 UZ 02	474,00
DD	RWIT 4BD4 DD 02	609,00
DZ	RWIT 4BD4 DZ 02	609,00
SZ	RWIT 4BD4 SZ 02	609,00

Miscelatore incasso con doccia per WC
Concealed mixer with wc hand shower
Mitigeur à encastrer avec douchette WC
U-P Mischer mit WC Handbrause



RWIT 51A5 ZZ 01 138,00
+ PARTI INCASSO - CONCEALED BODY
CORPS À ENCASTRER - UNTERPUTZTEIL

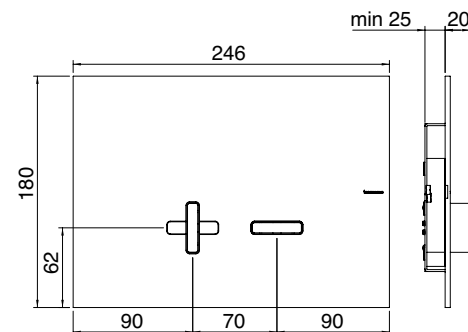


Cleaning - Flushing



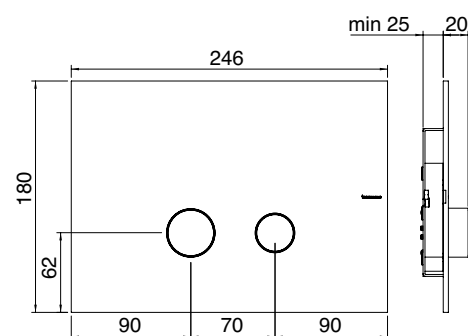
CC	IT RTBS 111 CC	580,00
NN	IT RTBS 111 NN	772,00
BB	IT RTBS 111 BB	772,00
NL	IT RTBS 111 NL	754,00
NF	IT RTBS 111 NF	754,00
HH	IT RTBS 111 HH	894,00
CZ	IT RTBS 111 CZ	894,00
US	IT RTBS 111 US	894,00
UZ	IT RTBS 111 UZ	894,00
KK	IT RTBS 111 KK	894,00
DD	IT RTBS 111 DD	990,00
DZ	IT RTBS 111 DZ	990,00
SZ	IT RTBS 111 SZ	990,00

Comando cassetta WC per sistemi di fissaggio *
 Flush plates for fixing systems *
 Plaque de commande pour systèmes de fixation *
 Betätigungsplatte für Befestigungssysteme *



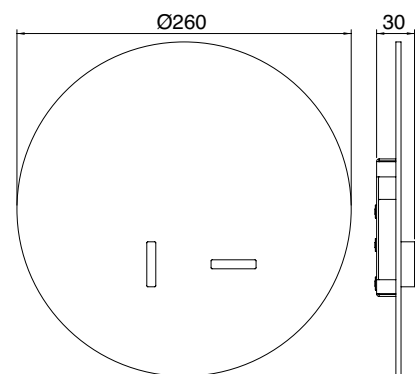
CC	IT RTBS 112 CC	580,00
NN	IT RTBS 112 NN	772,00
BB	IT RTBS 112 BB	772,00
NL	IT RTBS 112 NL	754,00
NF	IT RTBS 112 NF	754,00
HH	IT RTBS 112 HH	894,00
CZ	IT RTBS 112 CZ	894,00
US	IT RTBS 112 US	894,00
UZ	IT RTBS 112 UZ	894,00
KK	IT RTBS 112 KK	894,00
DD	IT RTBS 112 DD	990,00
DZ	IT RTBS 112 DZ	990,00
SZ	IT RTBS 112 SZ	990,00

Comando cassetta WC per sistemi di fissaggio *
 Flush plates for fixing systems *
 Plaque de commande pour systèmes de fixation *
 Betätigungsplatte für Befestigungssysteme *



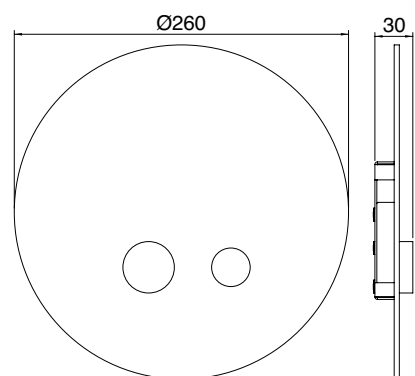
CC	IT RTBS 113 CC	580,00
NN	IT RTBS 113 NN	772,00
BB	IT RTBS 113 BB	772,00
NL	IT RTBS 113 NL	754,00
NF	IT RTBS 113 NF	754,00
HH	IT RTBS 113 HH	894,00
CZ	IT RTBS 113 CZ	894,00
US	IT RTBS 113 US	894,00
UZ	IT RTBS 113 UZ	894,00
KK	IT RTBS 113 KK	894,00
DD	IT RTBS 113 DD	990,00
DZ	IT RTBS 113 DZ	990,00
SZ	IT RTBS 113 SZ	990,00

Comando cassetta WC per sistemi di fissaggio *
 Flush plates for fixing systems *
 Plaque de commande pour systèmes de fixation *
 Betätigungsplatte für Befestigungssysteme *



CC	IT RTBS 114 CC	580,00
NN	IT RTBS 114 NN	772,00
BB	IT RTBS 114 BB	772,00
NL	IT RTBS 114 NL	754,00
NF	IT RTBS 114 NF	754,00
HH	IT RTBS 114 HH	894,00
CZ	IT RTBS 114 CZ	894,00
US	IT RTBS 114 US	894,00
UZ	IT RTBS 114 UZ	894,00
KK	IT RTBS 114 KK	894,00
DD	IT RTBS 114 DD	990,00
DZ	IT RTBS 114 DZ	990,00
SZ	IT RTBS 114 SZ	990,00

Comando cassetta WC per sistemi di fissaggio *
 Flush plates for fixing systems *
 Plaque de commande pour systèmes de fixation *
 Betätigungsplatte für Befestigungssysteme *



Piccadilly

design by treemme

chrome **CC**

polished nickel **NL**

brushed bronze **US**

gold **DD**

brushed gold **DZ**

brushed rose gold **SZ**

X-CHANGE

ELECTRONIC

SHOWERS &
THERMOSTATICS

PICCADILLY



Piccadilly

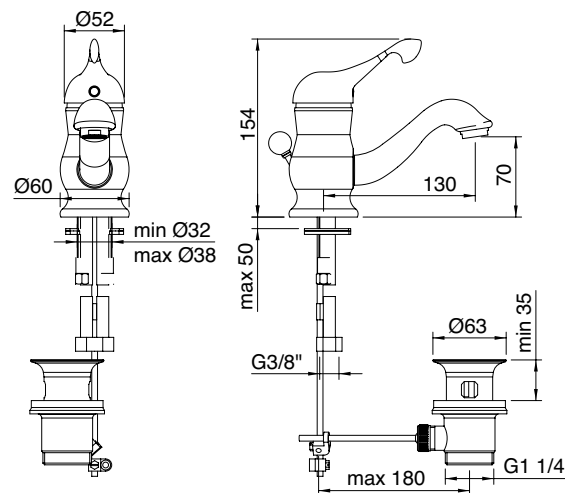


CC	IT 2110 CC PY ZZ	235,00
NL	IT 2110 NL PY ZZ	305,00
US	IT 2110 US PY ZZ	362,00
DD	IT 2110 DD PY ZZ	488,00
DZ	IT 2110 DZ PY ZZ	488,00
SZ	IT 2110 SZ PY ZZ	488,00

Miscelatore monocomando lavabo 70
Washbasin mixer 70
Mitigeur lavabo 70
Einhand-Waschtischmischer 70



ITRTVT149ZZ ITRTSA108_ ITRTAE114_ 5 l/min



CC	RWIT 21C5 CC PY	299,00
NL	RWIT 21C5 NL PY	419,00
US	RWIT 21C5 US PY	514,00
DD	RWIT 21C5 DD PY	661,00
DZ	RWIT 21C5 DZ PY	661,00
SZ	RWIT 21C5 SZ PY	661,00

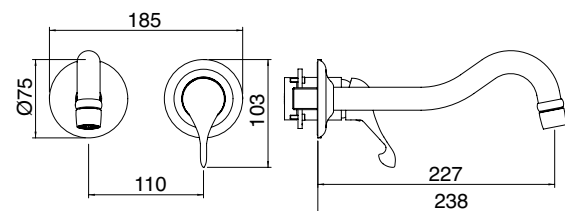
Miscelatore monocomando lavabo incasso 227
Concealed washbasin mixer 227
Mitigeur lavabo à encastrer 227
UP-Einhand-Waschtischmischer 227



ITRTVT131ZZ ITRTAE112_ 1,5 cm RWIT51A5ZZ80 3 cm RWIT51A5ZZ85 5 cm RWIT51A5ZZ90 8 l/min N° i46 RWIT51C5ZZ90

RWIT 51A5 ZZ 01 138,00

+ PARTI INCASSO - CONCEALED BODY
CORPS À ENCASTRER - UNTERPUTZTEIL



CC	RWIT 21C8 CC PY	155,00
NL	RWIT 21C8 NL PY	217,00
US	RWIT 21C8 US PY	266,00
DD	RWIT 21C8 DD PY	342,00
DZ	RWIT 21C8 DZ PY	342,00
SZ	RWIT 21C8 SZ PY	342,00

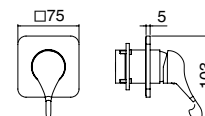
Monocomando remoto lavabo/doccia incasso
Concealed washbasin/shower mixer
Mitigeur lavabo/douche à encastrer
UP-Waschtisch/Dusche Mischer



ITRTVT131ZZ 1,5 cm RWIT51A5ZZ80 3 cm RWIT51A5ZZ85 5 cm RWIT51A5ZZ90 28 l/min N° i43 RWIT51A8ZZ90

RWIT 51A8 ZZ 03 128,00

+ PARTI INCASSO - CONCEALED BODY
CORPS À ENCASTRER - UNTERPUTZTEIL

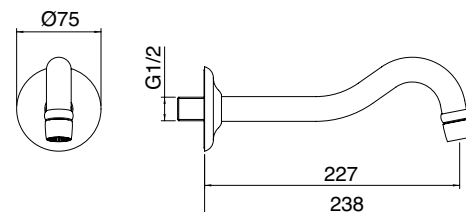


CC	IT 2163 CC ZZ ZZ	79,00
NL	IT 2163 NL ZZ ZZ	101,00
US	IT 2163 US ZZ ZZ	120,00
DD	IT 2163 DD ZZ ZZ	161,00
DZ	IT 2163 DZ ZZ ZZ	161,00
SZ	IT 2163 SZ ZZ ZZ	161,00

Bocca a muro 227
Wall-mtd. spout 227
Bec mural 227
Wandauslauf 227



ITRTAE112_ 8 l/min





X-CHANGE

ELECTRONIC

SHOWERS &
THERMOSTATICS

PICCADILLY



SZ
brushed rose gold



DZ
brushed gold



DD
gold



US
crushed bronze



NL
polished nickel



CC
chrome

X-CHANGE

ELECTRONIC

SHOWERS &
THERMOSTATICS

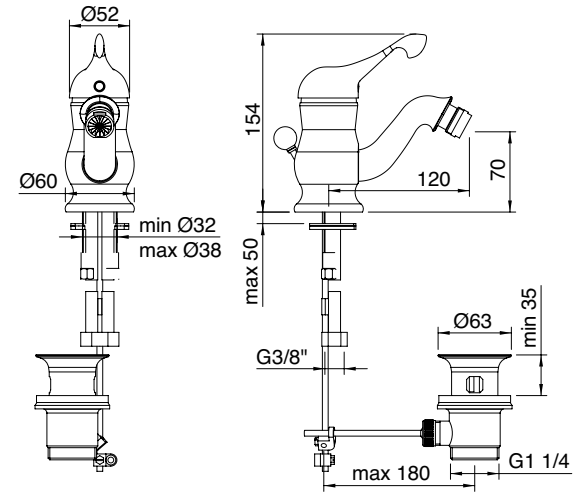
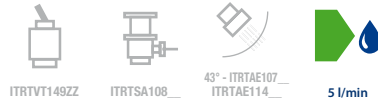
PICCADILLY





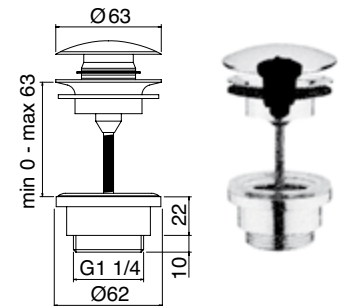
CC	IT 2120 CC PY ZZ	250,00
NL	IT 2120 NL PY ZZ	324,00
US	IT 2120 US PY ZZ	382,00
DD	IT 2120 DD PY ZZ	515,00
DZ	IT 2120 DZ PY ZZ	515,00
SZ	IT 2120 SZ PY ZZ	515,00

Miscelatore monocomando bidet
 Bidet mixer
 Mitigeur bidet
 Einhand-Bidetmischer



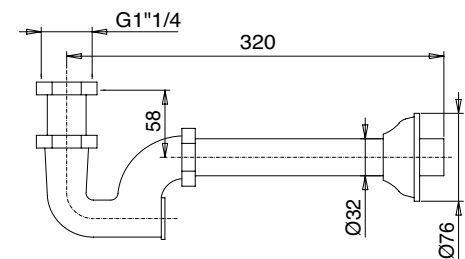
CC	IT RTSA 117 CC	28,00
NL	IT RTSA 117 NL	39,00
US	IT RTSA 117 US	45,00
DD	IT RTSA 117 DD	54,00
DZ	IT RTSA 117 DZ	59,00
SZ	IT RTSA 117 SZ	59,00

Scarico click-clack universale con inserto per sempre aperto
 Universal up/down pop-up waste with adaptor for continuous water flow
 Bonde click-clack universelle avec option écoulement libre
 Universal-Ablaufgarnitur Click-Clack mit Verschlussperre



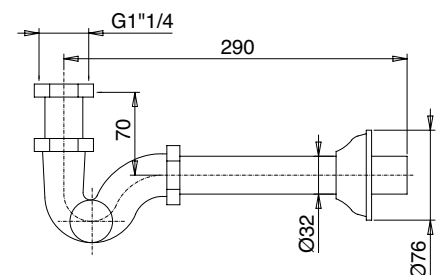
CC	IT 0421 CC ZZ ZZ	30,00
NL	IT 0421 NL ZZ ZZ	94,00
US	IT 0421 US ZZ ZZ	116,00
DD	IT 0421 DD ZZ ZZ	149,00
DZ	IT 0421 DZ ZZ ZZ	149,00
SZ	IT 0421 SZ ZZ ZZ	149,00

Sifone ad S per lavabo 1" 1/4
 Wash basin S-shaped waste pipe 1" 1/4
 Siphon pour lavabo 1" 1/4
 Siphon für Waschtisch 1" 1/4



CC	IT 0433 CC ZZ ZZ	30,00
NL	IT 0433 NL ZZ ZZ	94,00
US	IT 0433 US ZZ ZZ	116,00
DD	IT 0433 DD ZZ ZZ	149,00
DZ	IT 0433 DZ ZZ ZZ	149,00
SZ	IT 0433 SZ ZZ ZZ	149,00

Sifone ad S per bidet 1" 1/4
 Bidet S-shaped waste pipe 1" 1/4
 Siphon pour bidet 1" 1/4
 Siphon für Bidet 1" 1/4

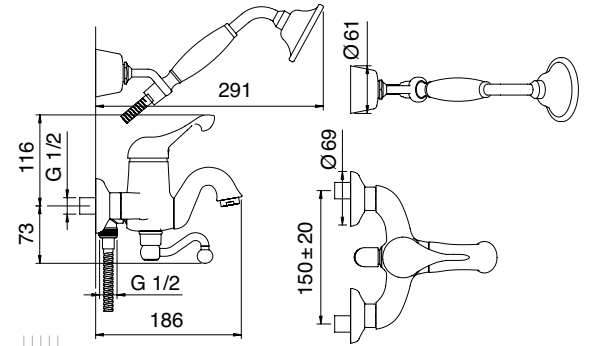


Piccadilly



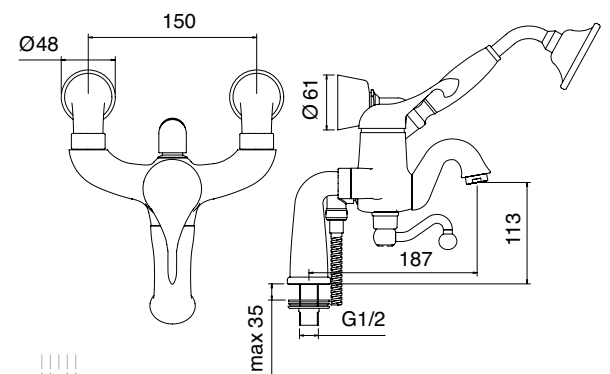
CC	IT 2100 CC PY ZZ	399,00
NL	IT 2100 NL PY ZZ	519,00
US	IT 2100 US PY ZZ	614,00
DD	IT 2100 DD PY ZZ	829,00
DZ	IT 2100 DZ PY ZZ	829,00
SZ	IT 2100 SZ PY ZZ	829,00

Miscelatore monocomando esterno vasca
Wall-mtd. bathtub mixer
Mitigeur bain/douche mural
AP-Badewannen-Einhandbatterie



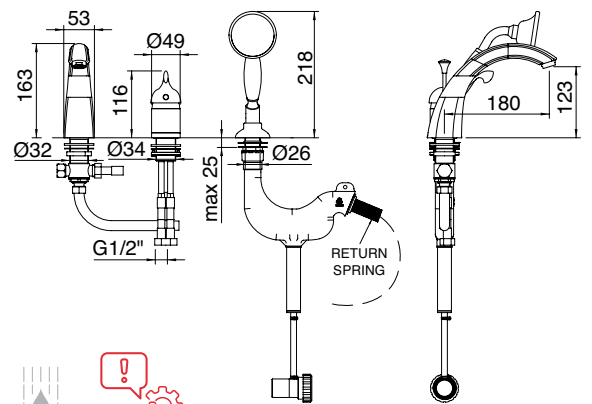
CC	IT 2104 CC PY ZZ	456,00
NL	IT 2104 NL PY ZZ	592,00
US	IT 2104 US PY ZZ	701,00
DD	IT 2104 DD PY ZZ	947,00
DZ	IT 2104 DZ PY ZZ	947,00
SZ	IT 2104 SZ PY ZZ	947,00

Miscelatore monocomando piano vasca
Deck-mtd. bathtub mixer
Mitigeur bain/douche sur gorge
Badewannen-Einhandbatterie für Wannenrandmout



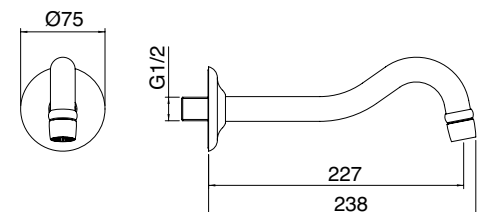
CC	IT 2165 CC PY ZZ	577,00
NL	IT 2165 NL PY ZZ	750,00
US	IT 2165 US PY ZZ	888,00
DD	IT 2165 DD PY ZZ	1.199,00
DZ	IT 2165 DZ PY ZZ	1.199,00
SZ	IT 2165 SZ PY ZZ	1.199,00

Batteria bordo vasca 3 fori con doccetta estraibile
3 hole deck-mounted bathtub
Mitigeur bain/douche 3 trous sur gorge
Dreiloch - Wannenrandarmatur



CC	IT 2163 CC ZZ HF	79,00
NL	IT 2163 NL ZZ HF	101,00
US	IT 2163 US ZZ HF	120,00
DD	IT 2163 DD ZZ HF	161,00
DZ	IT 2163 DZ ZZ HF	161,00
SZ	IT 2163 SZ ZZ HF	161,00

Bocca a muro per vasca 227
Wall-mtd. spout for bathtub 227
Bec mural pour baignoire 227
Wandauslauf für Badewannen 227





X-CHANGE

ELECTRONIC

SHOWERS &
THERMOSTATICS

PICCADILLY

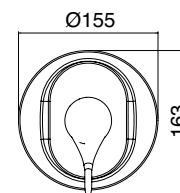
Piccadilly



CC	RWIT 2108 CC 80	62,00		RWIT 2608 CC 70	58,00
NL	RWIT 2108 NL 80	82,00		RWIT 2608 NL 70	81,00
US	RWIT 2108 US 80	95,00		RWIT 2608 US 70	99,00
DD	RWIT 2108 DD 80	129,00	+	RWIT 2608 DD 70	127,00
DZ	RWIT 2108 DZ 80	129,00		RWIT 2608 DZ 70	127,00
SZ	RWIT 2108 SZ 80	129,00		RWIT 2608 SZ 70	127,00


Monocomando remoto lavabo/doccia incasso
 Concealed washbasin/shower mixer
 Mitigeur lavabo/douche à encastrer
 UP-Waschtisch/Dusche Mischer

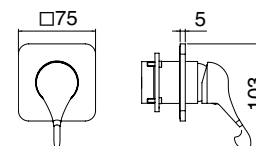
 PARTI INCASSO - CONCEALED BODY
 CORPS À ENCASTRER - UNTERPUTZTEIL



CC	RWIT 21C8 CC PY	155,00		RWIT 51A8 ZZ 03	128,00
NL	RWIT 21C8 NL PY	217,00			
US	RWIT 21C8 US PY	266,00			
DD	RWIT 21C8 DD PY	342,00			
DZ	RWIT 21C8 DZ PY	342,00			
SZ	RWIT 21C8 SZ PY	342,00			

Monocomando remoto lavabo/doccia incasso
 Concealed washbasin/shower mixer
 Mitigeur lavabo/douche à encastrer
 UP-Waschtisch/Dusche Mischer

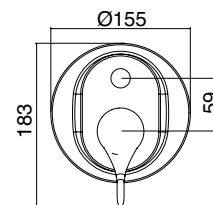
 PARTI INCASSO - CONCEALED BODY
 CORPS À ENCASTRER - UNTERPUTZTEIL



CC	RWIT 2149 CC 80	74,00		RWIT 2649 CC 70	77,00
NL	RWIT 2149 NL 80	94,00		RWIT 2649 NL 70	106,00
US	RWIT 2149 US 80	112,00		RWIT 2649 US 70	130,00
DD	RWIT 2149 DD 80	150,00	+	RWIT 2649 DD 70	166,00
DZ	RWIT 2149 DZ 80	150,00		RWIT 2649 DZ 70	166,00
SZ	RWIT 2149 SZ 80	150,00		RWIT 2649 SZ 70	166,00


Miscelatore monocomando vasca/doccia incasso
 Concealed bath/shower mixer with diverter
 Mitigeur bain/douche à encastrer avec inverseur
 UP Wanne/Brause Einhebelmischer

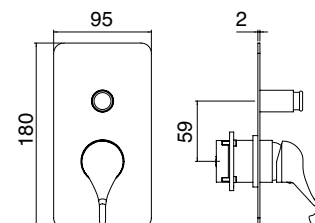
 PARTI INCASSO - CONCEALED BODY
 CORPS À ENCASTRER - UNTERPUTZTEIL



CC	RWIT 21B1 CC PY	181,00		RWIT 51B1 ZZ 03	160,00
NL	RWIT 21B1 NL PY	253,00			
US	RWIT 21B1 US PY	311,00			
DD	RWIT 21B1 DD PY	399,00			
DZ	RWIT 21B1 DZ PY	399,00			
SZ	RWIT 21B1 SZ PY	399,00			

Miscelatore monocomando vasca/doccia incasso
 Concealed bath/shower mixer with diverter
 Mitigeur bain/douche à encastrer avec inverseur
 UP Wanne/Brause Einhebelmischer

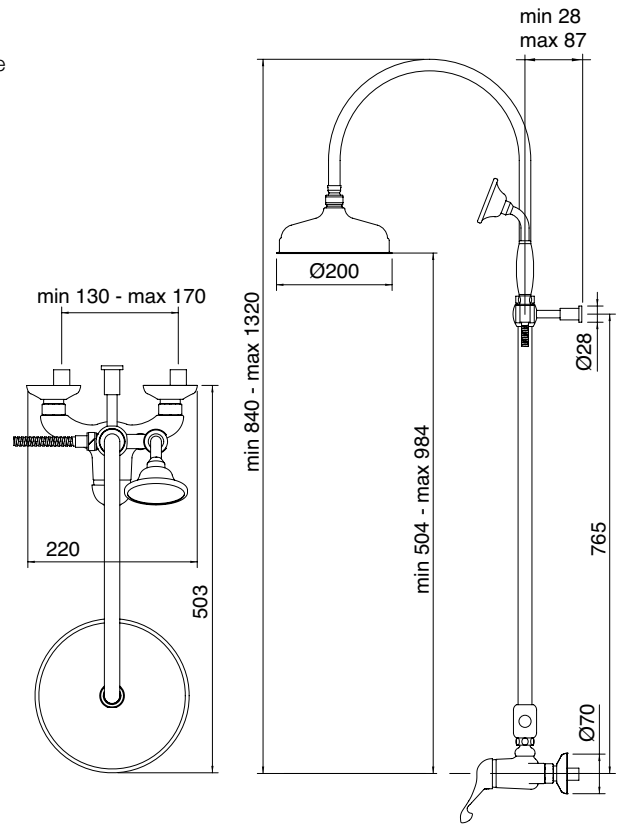
 PARTI INCASSO - CONCEALED BODY
 CORPS À ENCASTRER - UNTERPUTZTEIL





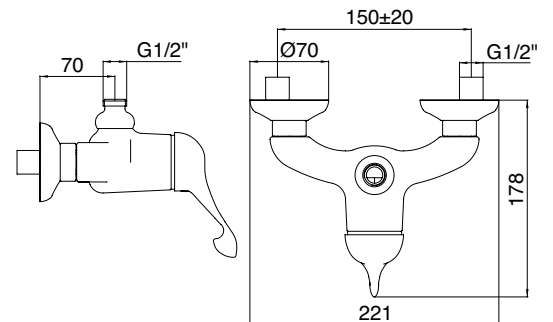
CC	IT 2160 CC PY ZZ	855,00
NL	IT 2160 NL PY ZZ	1.111,00
US	IT 2160 US PY ZZ	1.316,00
DD	IT 2160 DD PY ZZ	1.776,00
DZ	IT 2160 DZ PY ZZ	1.776,00
SZ	IT 2160 SZ PY ZZ	1.776,00

Gruppo doccia con doccetta e soffione anticalcare
 Wall-mtd. shower set, anti-limescale
 hand-shower and shower head
 Mitigeur douche mural, douchette et tête
 de douche anticalcaire
 Regenbrause-Set, Antikalk Handbrause
 und Kopfbrause



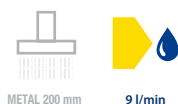
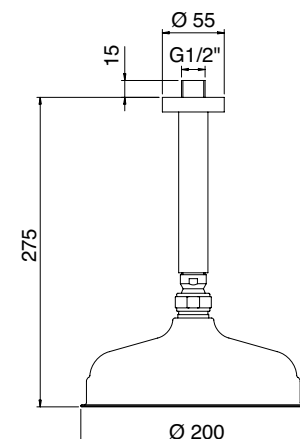
CC	IT 2156 CC PY ZZ	223,00
NL	IT 2156 NL PY ZZ	290,00
US	IT 2156 US PY ZZ	342,00
DD	IT 2156 DD PY ZZ	463,00
DZ	IT 2156 DZ PY ZZ	463,00
SZ	IT 2156 SZ PY ZZ	463,00

Gruppo esterno doccia senza set doccia
 Wall-mtd. shower mixer without shower set
 Mitigeur douche mural sans set de douche
 AP-Brause-Einhandbatterie ohne Duschset



CC	IT 0452 CC ZZ ZZ	237,00
NL	IT 0452 NL ZZ ZZ	308,00
US	IT 0452 US ZZ ZZ	365,00
DD	IT 0452 DD ZZ ZZ	493,00
DZ	IT 0452 DZ ZZ ZZ	493,00
SZ	IT 0452 SZ ZZ ZZ	493,00

Soffione a soffitto anticalcare
 Ceiling anti-limescale shower-head
 Douche de tête anticalcaire avec bras au plafond
 Antikalk Regenbrause mit Deckenanbindung



X-CHANGE

ELECTRONIC

SHOWERS &
THERMOSTATICS

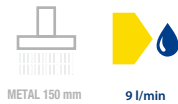
PICCADILLY



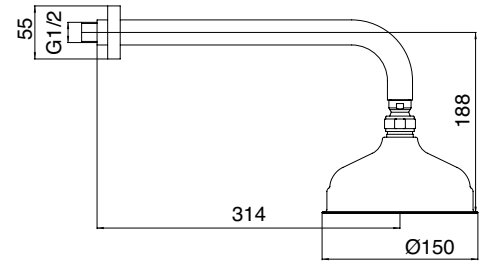


CC	IT 0499 CC ZZ ZZ	175,00
NL	IT 0499 NL ZZ ZZ	227,00
US	IT 0499 US ZZ ZZ	269,00
DD	IT 0499 DD ZZ ZZ	363,00
DZ	IT 0499 DZ ZZ ZZ	363,00
SZ	IT 0499 SZ ZZ ZZ	363,00

Soffione a parete anticalcare
Anti-limescale shower-head
Douche de tête anticalcaire avec bras mural
Antikalk Kopfbrause mit Arm

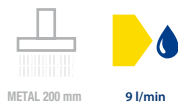


METAL 150 mm 9 l/min

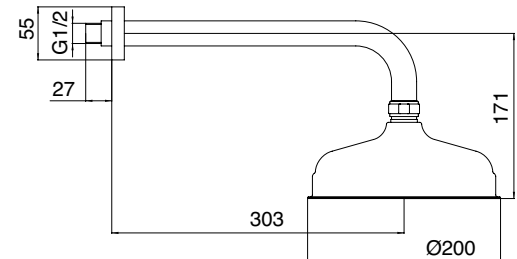


CC	IT 0495 CC ZZ ZZ	258,00
NL	IT 0495 NL ZZ ZZ	334,00
US	IT 0495 US ZZ ZZ	396,00
DD	IT 0495 DD ZZ ZZ	535,00
DZ	IT 0495 DZ ZZ ZZ	535,00
SZ	IT 0495 SZ ZZ ZZ	535,00

Soffione a parete anticalcare
Anti-limescale shower-head
Douche de tête anticalcaire avec bras mural
Antikalk Kopfbrause mit Arm

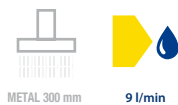


METAL 200 mm 9 l/min

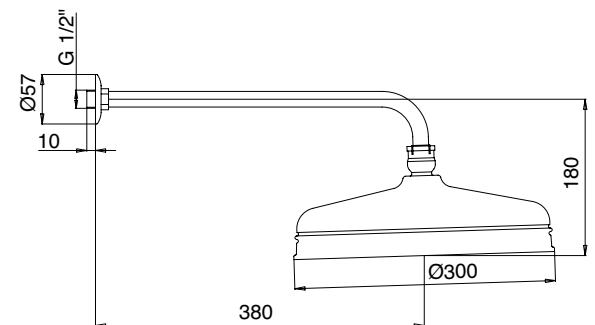


CC	IT 0497 CC ZZ ZZ	463,00
NL	IT 0497 NL ZZ ZZ	601,00
US	IT 0497 US ZZ ZZ	712,00
DD	IT 0497 DD ZZ ZZ	961,00
DZ	IT 0497 DZ ZZ ZZ	961,00
SZ	IT 0497 SZ ZZ ZZ	961,00

Soffione a parete anticalcare
Anti-limescale shower-head
Douche de tête anticalcaire avec bras mural
Antikalk Kopfbrause mit Arm



METAL 300 mm 9 l/min

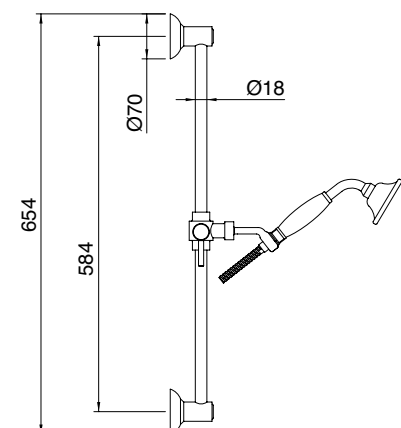


CC	RWIT 2106 CC 04	229,00
NL	RWIT 2106 NL 04	297,00
US	RWIT 2106 US 04	351,00
DD	RWIT 2106 DD 04	474,00
DZ	RWIT 2106 DZ 04	474,00
SZ	RWIT 2106 SZ 04	474,00

Kit saliscendi senza presa acqua
Sliding-bar kit without wall hose outlet
Barre coulissante sans coude mural
Gleitstange ohne Wandaschlussbogen



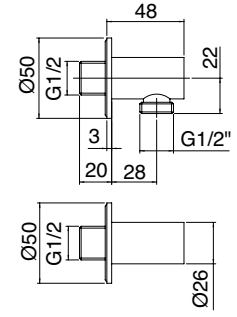
FLEX 1,5 M METAL 8 l/min



Piccadilly

CC	IT RTGA 123 CC	25,00
NL	IT RTGA 123 NL	49,00
US	IT RTGA 123 US	27,00
DD	IT RTGA 123 DD	34,00
DZ	IT RTGA 123 DZ	38,00
SZ	IT RTGA 123 SZ	38,00

Pres a acqua a muro
Wall hose outlet
Coude mural
Wandanschlussbogen

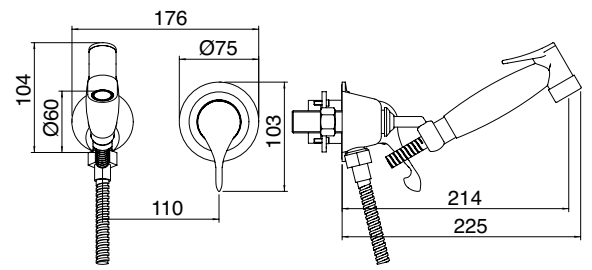


CC	RWIT 21D4 CC PY	340,00
NL	RWIT 21D4 NL PY	476,00
US	RWIT 21D4 US PY	586,00
DD	RWIT 21D4 DD PY	752,00
DZ	RWIT 21D4 DZ PY	752,00
SZ	RWIT 21D4 SZ PY	752,00

Miscelatore incasso con doccia per WC
Concealed mixer with wc hand shower
Mitigeur à encastrer avec douchette WC
U-P Mischer mit WC Handbrause



RWIT 51A5 ZZ 01 138,00
+ PARTI INCASSO - CONCEALED BODY
CORPS À ENCASTRER - UNTERPUTZTEIL



ITRTVT131ZZ RWIT5608_50 1 M METAL 9 l/min N° 146 RWIT51CSZ90

Maniglie disponibili - Available handles - Manettes disponibles - Hebel Ausführung



PY - Piccadilly base



PL - Piccadilly resina bianca

Maggiorazione
Additional charge
Plus value
Zuschlag

CC	' (" "
NL) & " "
US	* (" "
DD	## (" "
DZ	## (" "
SZ	## (" "



Old Italy

design by treemme

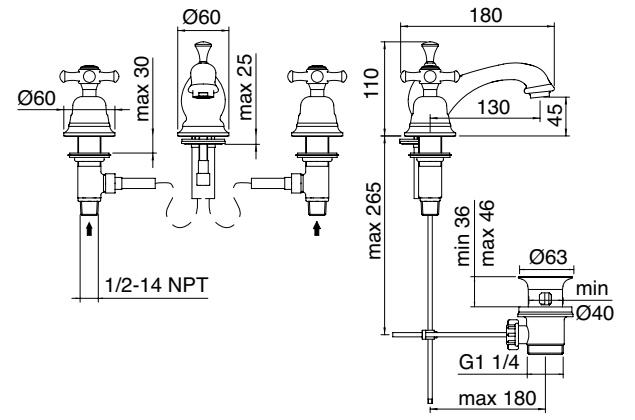
- chrome **CC**
- polished nickel **NL**
- brushed bronze **US**
- gold **DD**
- brushed gold **DZ**
- brushed rose gold **SZ**

SHOWERERS & THERMOSTATICS
ELECTRONIC
PICCADILLY
X-CHANGE
OLD ITALY

Old Italy

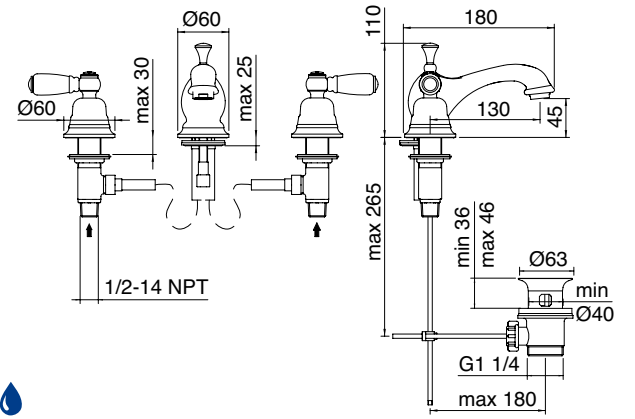
CC	IT 4410 CC OI ZZ	326,00
NL	IT 4410 NL OI ZZ	423,00
US	IT 4410 US OI ZZ	501,00
DD	IT 4410 DD OI ZZ	676,00
DZ	IT 4410 DZ OI ZZ	676,00
SZ	IT 4410 SZ OI ZZ	676,00

Batteria lavabo 3 fori
3 hole washbasin mixer
Mélangeur lavabo 3 trous
Waschtisch Dreilochbatterie



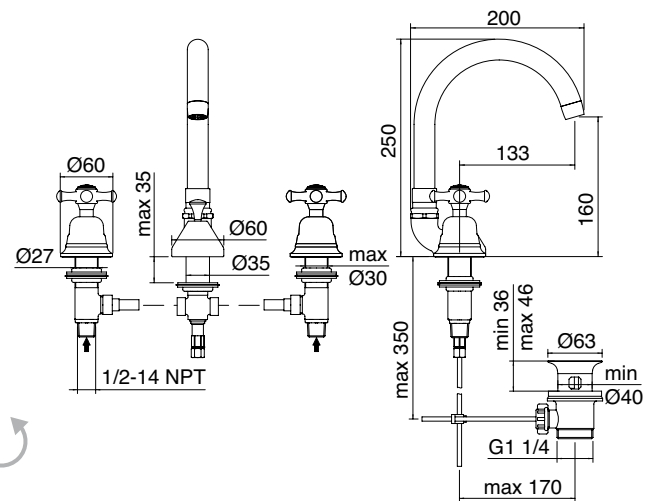
CC	IT 4410 CC SO ZZ	423,00
NL	IT 4410 NL SO ZZ	551,00
US	IT 4410 US SO ZZ	651,00
DD	IT 4410 DD SO ZZ	879,00
DZ	IT 4410 DZ SO ZZ	879,00
SZ	IT 4410 SZ SO ZZ	879,00

Batteria lavabo 3 fori
3 hole washbasin mixer
Mélangeur lavabo 3 trous
Waschtisch Dreilochbatterie



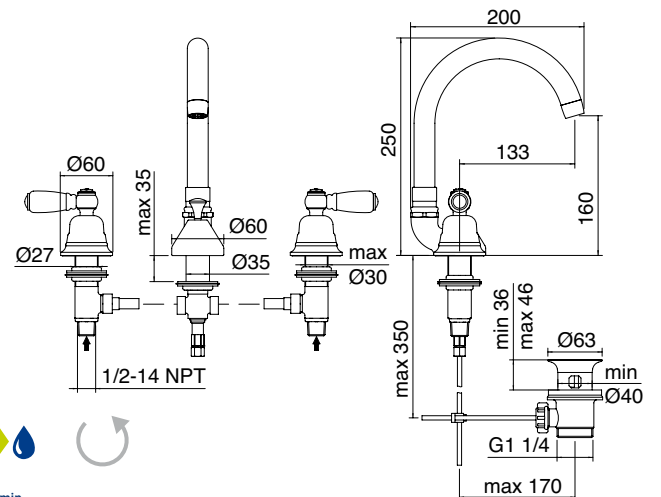
CC	IT 4416 CC OI ZZ	370,00
NL	IT 4416 NL OI ZZ	480,00
US	IT 4416 US OI ZZ	570,00
DD	IT 4416 DD OI ZZ	768,00
DZ	IT 4416 DZ OI ZZ	768,00
SZ	IT 4416 SZ OI ZZ	768,00

Batteria lavabo 3 fori
3 hole washbasin mixer
Mélangeur lavabo 3 trous
Waschtisch Dreilochbatterie



CC	IT 4416 CC SO ZZ	468,00
NL	IT 4416 NL SO ZZ	608,00
US	IT 4416 US SO ZZ	720,00
DD	IT 4416 DD SO ZZ	973,00
DZ	IT 4416 DZ SO ZZ	973,00
SZ	IT 4416 SZ SO ZZ	973,00

Batteria lavabo 3 fori
3 hole washbasin mixer
Mélangeur lavabo 3 trous
Waschtisch Dreilochbatterie





IT 4416 DD SO ZZ

SHOWERS &
THERMOSTATICS

PICCADILLY

OLD ITALY

ELECTRONIC

X-CHANGE



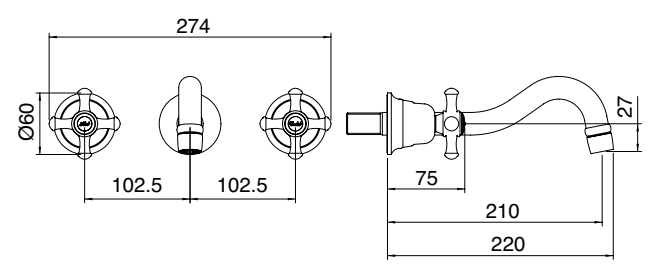
RWIT 4452 DZ 01






CC	RWIT 4452 CC 01	192,00
NL	RWIT 4452 NL 01	250,00
US	RWIT 4452 US 01	295,00
DD	RWIT 4452 DD 01	398,00
DZ	RWIT 4452 DZ 01	398,00
SZ	RWIT 4452 SZ 01	398,00

RWIT 3652 ZZ 01 250,00
 **PARTI INCASSO - CONCEALED BODY**
CORPS À ENCASTRER - UNTERPUTZTEIL



Gruppo lavabo a muro 210
 Wall mounted 3 hole washbasin 210
 Mélangeur lavabo à encastrer 3 trous 210
 UP-Waschtisch Dreilochbatterie 210



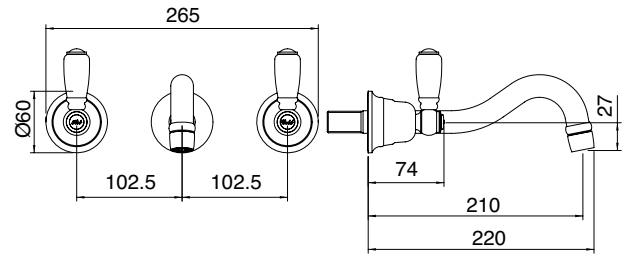
				
ITRTVT101CC	ITRTAE112_	RWIT3652ZZ50	7 l/min	P_799

CC	RWIT 4452 CC SO	290,00
NL	RWIT 4452 NL SO	376,00
US	RWIT 4452 US SO	445,00
DD	RWIT 4452 DD SO	601,00
DZ	RWIT 4452 DZ SO	601,00
SZ	RWIT 4452 SZ SO	601,00

RWIT 4452 ZZ 03 250,00
 +  **PARTI INCASTO - CONCEALED BODY**
CORPS À ENCASTER - UNTERPUTZTEIL



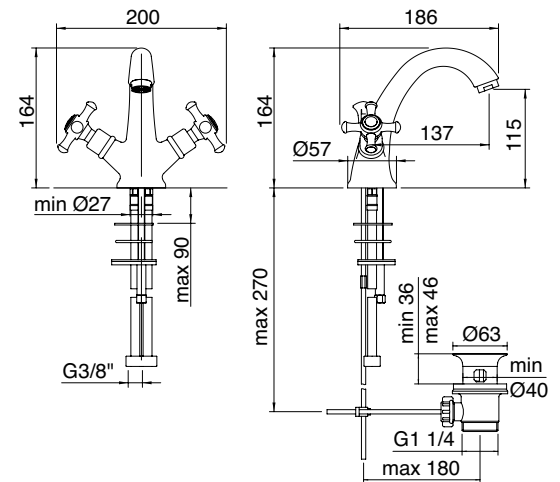
Gruppo lavabo a muro 210
 Wall mounted 3 hole washbasin 210
 Mélangeur lavabo à encastrer 3 trous 210
 UP-Waschtisch Dreilochbatterie 210



CC	IT 4414 CC OI ZZ	231,00
NL	IT 4414 NL OI ZZ	300,00
US	IT 4414 US OI ZZ	356,00
DD	IT 4414 DD OI ZZ	478,00
DZ	IT 4414 DZ OI ZZ	478,00
SZ	IT 4414 SZ OI ZZ	478,00



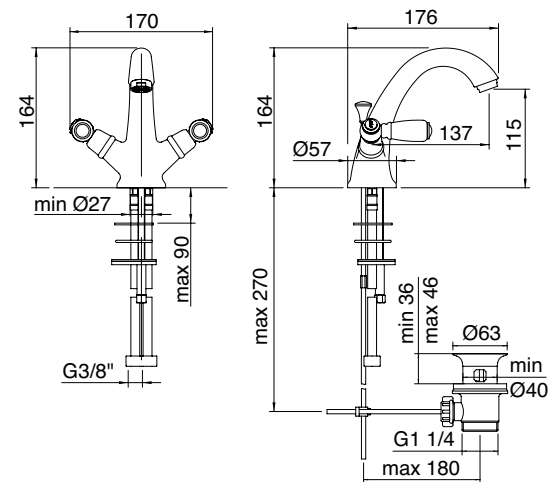
Miscelatore lavabo 2 maniglie
 2-handle basin mixer
 Mélangeur lavabo monotrou
 2-Griff Waschtischarmatur



CC	IT 4414 CC SO ZZ	329,00
NL	IT 4414 NL SO ZZ	428,00
US	IT 4414 US SO ZZ	506,00
DD	IT 4414 DD SO ZZ	683,00
DZ	IT 4414 DZ SO ZZ	683,00
SZ	IT 4414 SZ SO ZZ	683,00



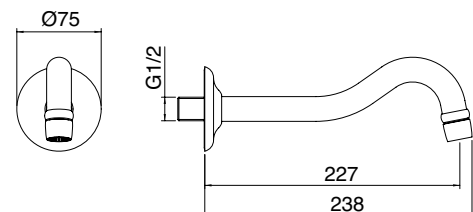
Miscelatore lavabo 2 maniglie
 2-handle basin mixer
 Mélangeur lavabo monotrou
 2-Griff Waschtischarmatur



CC	IT 2163 CC ZZ ZZ	79,00
NL	IT 2163 NL ZZ ZZ	101,00
US	IT 2163 US ZZ ZZ	120,00
DD	IT 2163 DD ZZ ZZ	161,00
DZ	IT 2163 DZ ZZ ZZ	161,00
SZ	IT 2163 SZ ZZ ZZ	161,00



Bocca a muro 227
 Wall-mtd. spout 227
 Bec mural 227
 Wandauslauf 227



X-CHANGE

ELECTRONIC

SHOWERS &
THERMOSTATICS

PICCADILLY

OLD ITALY



SZ
brushed rose gold



DZ
brushed gold



DD
gold



US
brushed bronze



NL
polished nickel



CC
chrome

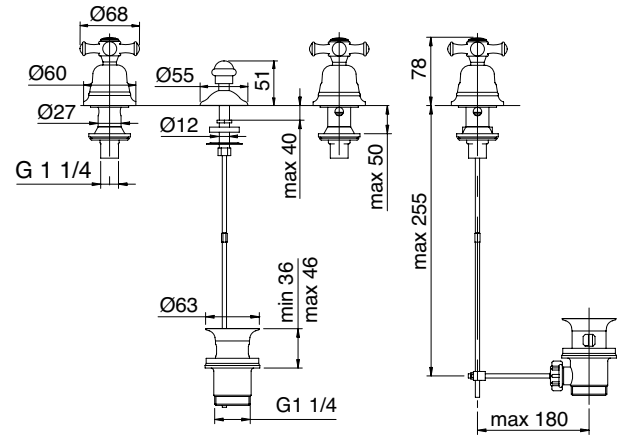


CC	IT 4420 CC OI ZZ	235,00
NL	IT 4420 NL OI ZZ	305,00
US	IT 4420 US OI ZZ	362,00
DD	IT 4420 DD OI ZZ	488,00
DZ	IT 4420 DZ OI ZZ	488,00
SZ	IT 4420 SZ OI ZZ	488,00

Batteria bidet senza canna
3 hole bidet without spout
Mélangeur bidet 3 trous sans bec
Bidet Dreilochbatterie ohne Auslauf



ITRTV101CC ITRTSA106

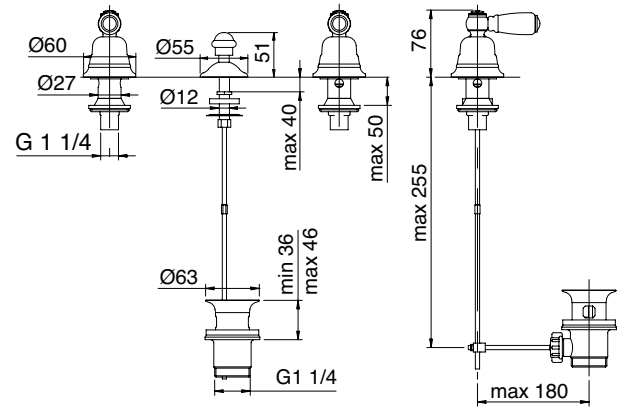


CC	IT 4420 CC SO ZZ	333,00
NL	IT 4420 NL SO ZZ	433,00
US	IT 4420 US SO ZZ	512,00
DD	IT 4420 DD SO ZZ	692,00
DZ	IT 4420 DZ SO ZZ	692,00
SZ	IT 4420 SZ SO ZZ	692,00

Batteria bidet senza canna
3 hole bidet without spout
Mélangeur bidet 3 trous sans bec
Bidet Dreilochbatterie ohne Auslauf

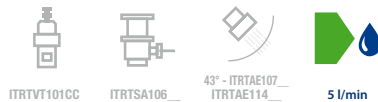


ITRTV232CC-DX ITRTV233CC-SX ITRTSA106

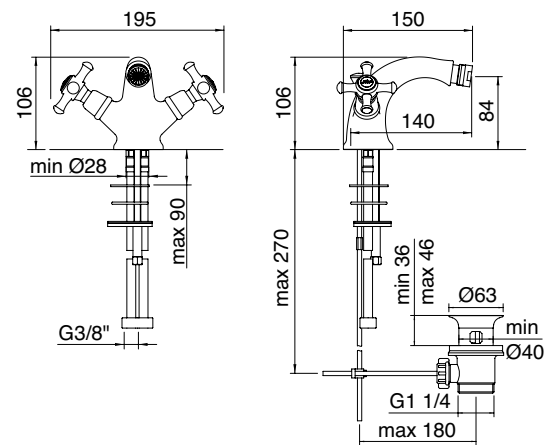


CC	IT 4424 CC OI ZZ	233,00
NL	IT 4424 NL OI ZZ	302,00
US	IT 4424 US OI ZZ	359,00
DD	IT 4424 DD OI ZZ	484,00
DZ	IT 4424 DZ OI ZZ	484,00
SZ	IT 4424 SZ OI ZZ	484,00

Miscelatore bidet 2 maniglie
2-handle bidet mixer mixer
Mélangeur bidet monotrou
2-Griff Bidetarmatur



ITRTV101CC ITRTSA106 43° - ITRTAE107 ITRTAE114 5 l/min

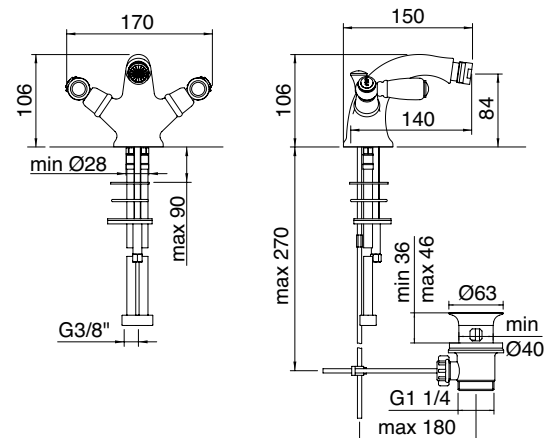


CC	IT 4424 CC SO ZZ	331,00
NL	IT 4424 NL SO ZZ	431,00
US	IT 4424 US SO ZZ	509,00
DD	IT 4424 DD SO ZZ	688,00
DZ	IT 4424 DZ SO ZZ	688,00
SZ	IT 4424 SZ SO ZZ	688,00

Miscelatore bidet 2 maniglie
2-handle bidet mixer mixer
Mélangeur bidet monotrou
2-Griff Bidetarmatur



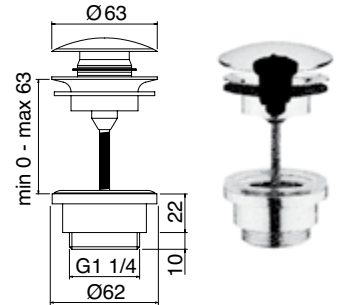
ITRTV232CC-DX ITRTV233CC-SX ITRTSA106 43° - ITRTAE107 ITRTAE114 5 l/min





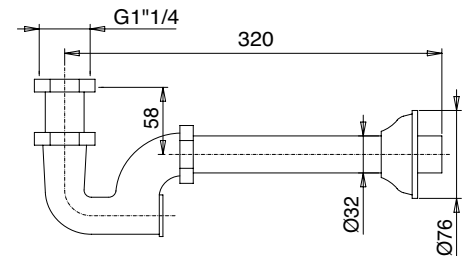
CC	IT RTSA 117 CC	28,00
NL	IT RTSA 117 NL	39,00
US	IT RTSA 117 US	45,00
DD	IT RTSA 117 DD	54,00
DZ	IT RTSA 117 DZ	59,00
SZ	IT RTSA 117 SZ	59,00

Scarico click-clack universale con inserto per sempre aperto
 Universal up/down pop-up waste with adaptor for continuous water flow
 Bonde click-clack universelle avec option écoulement libre
 Universal-Ablaufgarnitur Click-Clack mit Verschlussperre



CC	IT 0421 CC ZZ ZZ	30,00
NL	IT 0421 NL ZZ ZZ	94,00
US	IT 0421 US ZZ ZZ	116,00
DD	IT 0421 DD ZZ ZZ	149,00
DZ	IT 0421 DZ ZZ ZZ	149,00
SZ	IT 0421 SZ ZZ ZZ	149,00

Sifone ad S per lavabo 1" 1/4
 Wash basin S-shaped waste pipe 1" 1/4
 Siphon pour lavabo 1" 1/4
 Siphon für Waschtisch 1" 1/4



X-CHANGE

ELECTRONIC

SHOWERS &
THERMOSTATICS

PICCADILLY

OLD ITALY

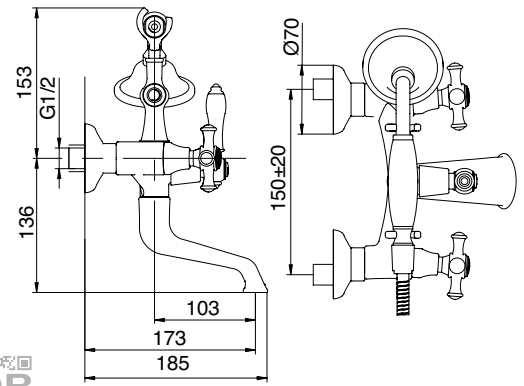


IT 4401 CC OI ZZ



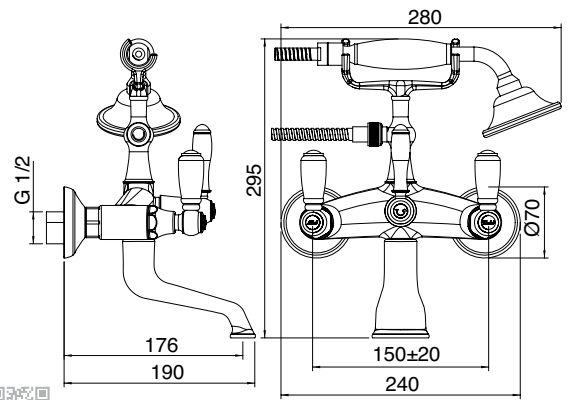
CC	IT 4401 CC OI ZZ	439,00
NL	IT 4401 NL OI ZZ	571,00
US	IT 4401 US OI ZZ	676,00
DD	IT 4401 DD OI ZZ	912,00
DZ	IT 4401 DZ OI ZZ	912,00
SZ	IT 4401 SZ OI ZZ	912,00

Gruppo vasca
Wall-mtd. bathtub
Mélangeur bain/douche mural
Wanne/Brause Armatur A.P.



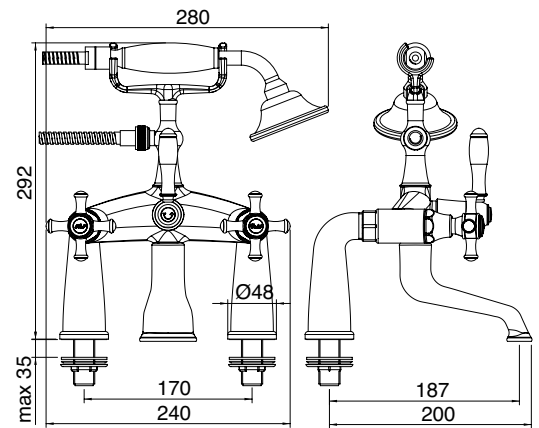
CC	IT 4401 CC SO ZZ	587,00
NL	IT 4401 NL SO ZZ	762,00
US	IT 4401 US SO ZZ	902,00
DD	IT 4401 DD SO ZZ	1.218,00
DZ	IT 4401 DZ SO ZZ	1.218,00
SZ	IT 4401 SZ SO ZZ	1.218,00

Gruppo vasca
Wall-mtd. bathtub
Mélangeur bain/douche mural
Wanne/Brause Armatur A.P.



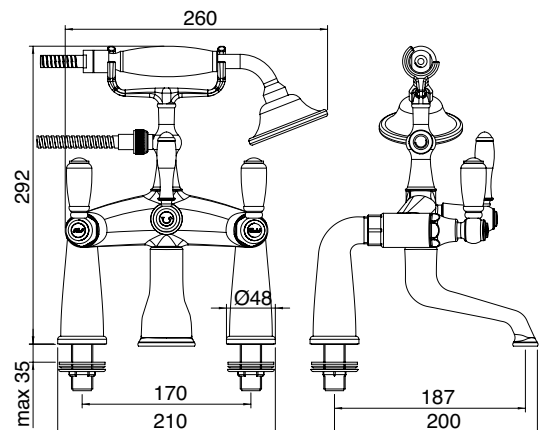
CC	IT 4407 CC OI ZZ	519,00
NL	IT 4407 NL OI ZZ	674,00
US	IT 4407 US OI ZZ	798,00
DD	IT 4407 DD OI ZZ	1.077,00
DZ	IT 4407 DZ OI ZZ	1.077,00
SZ	IT 4407 SZ OI ZZ	1.077,00

Gruppo esterno piano vasca
Deck-mtd. bathtub
Mélangeur bain/douche sur gorge
Wanne/Brause Armatur für Wannenrandmout



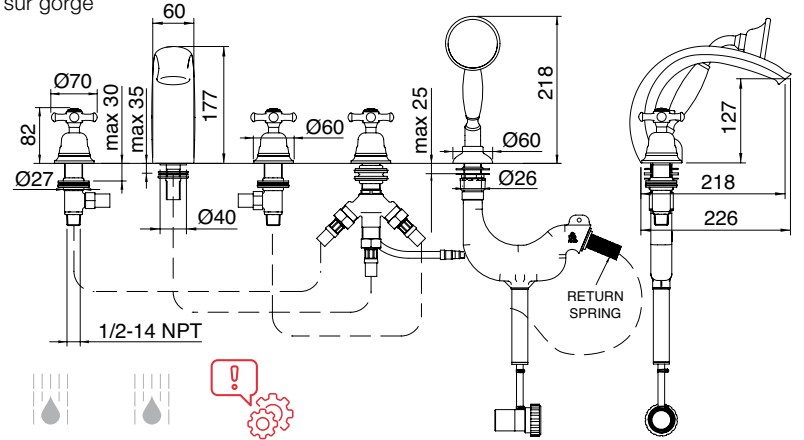
CC	IT 4407 CC SO ZZ	665,00
NL	IT 4407 NL SO ZZ	865,00
US	IT 4407 US SO ZZ	1.023,00
DD	IT 4407 DD SO ZZ	1.383,00
DZ	IT 4407 DZ SO ZZ	1.383,00
SZ	IT 4407 SZ SO ZZ	1.383,00

Gruppo esterno piano vasca
Deck-mtd. bathtub
Mélangeur bain/douche sur gorge
Wanne/Brause Armatur für Wannenrandmout



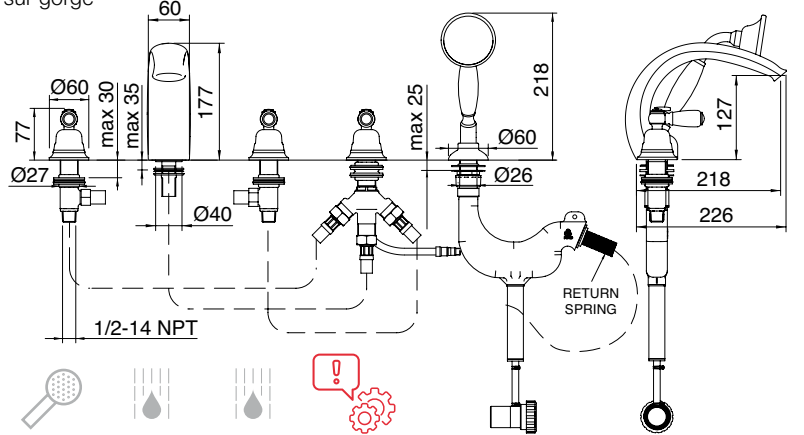
CC	IT 4406 CC OI ZZ	740,00
NL	IT 4406 NL OI ZZ	961,00
US	IT 4406 US OI ZZ	1.140,00
DD	IT 4406 DD OI ZZ	1.537,00
DZ	IT 4406 DZ OI ZZ	1.537,00
SZ	IT 4406 SZ OI ZZ	1.537,00

Batteria bordo vasca 5 fori con doccetta estraibile
5 hole deck-mounted bathtub
Mélangeur bain/douche 5 trous sur gorge
Fünfloch - Wannrandarmatur



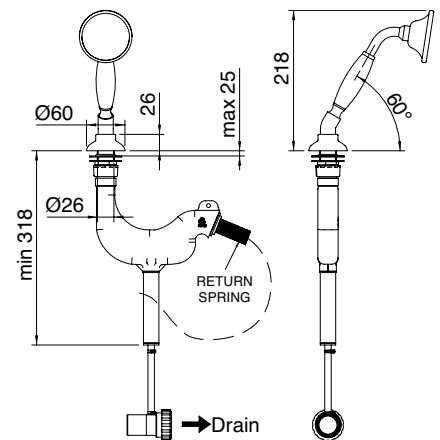
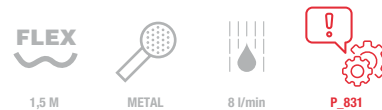
CC	IT 4406 CC SO ZZ	887,00
NL	IT 4406 NL SO ZZ	1.153,00
US	IT 4406 US SO ZZ	1.365,00
DD	IT 4406 DD SO ZZ	1.844,00
DZ	IT 4406 DZ SO ZZ	1.844,00
SZ	IT 4406 SZ SO ZZ	1.844,00

Batteria bordo vasca 5 fori con doccetta estraibile
5 hole deck-mounted bathtub
Mélangeur bain/douche 5 trous sur gorge
Fünfloch - Wannrandarmatur



CC	RWIT 2165 CC 25	227,00
NL	RWIT 2165 NL 25	295,00
US	RWIT 2165 US 25	350,00
DD	RWIT 2165 DD 25	472,00
DZ	RWIT 2165 DZ 25	472,00
SZ	RWIT 2165 SZ 25	472,00

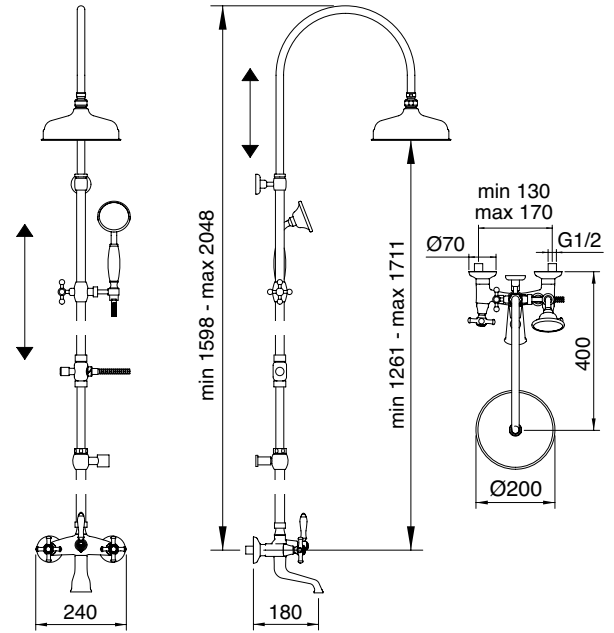
Doccetta estraibile bordo vasca
Deck-mounted retractable handshower
Douchette extractible sur gorge
Versenkbrause Schlauchbrause





CC	IT 4483 CC OI ZZ	1.243,00
NL	IT 4483 NL OI ZZ	1.615,00
US	IT 4483 US OI ZZ	1.913,00
DD	IT 4483 DD OI ZZ	2.582,00
DZ	IT 4483 DZ OI ZZ	2.582,00
SZ	IT 4483 SZ OI ZZ	2.582,00

Gruppo vasca con doccetta e soffione anticalcare
 Wall-mtd. bathtub set, anti-limescale
 hand-shower and shower head
 Mélangeur bain/douche mural,
 douchette et tête de douche anticalcaire
 Wanne/Brause Armatur A.P.,
 Antikalk Handbrause und Kopfbrause

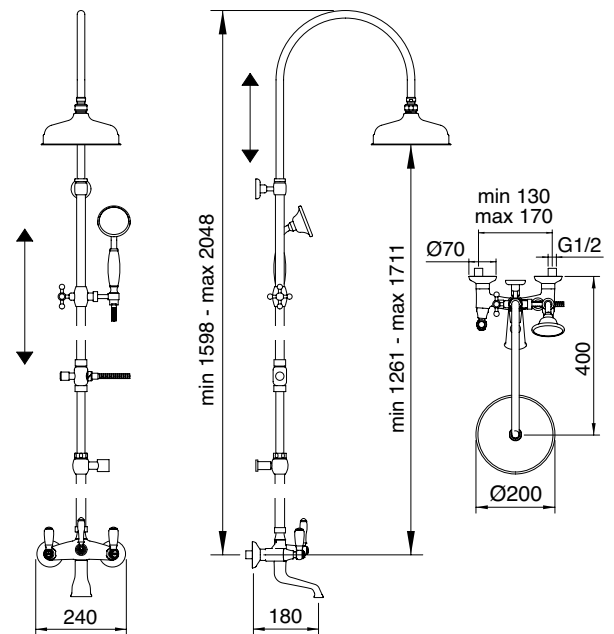


ITRTVT101CC METAL 200 mm FLEX 1,5 M METAL QR N° 67 9 l/min 8 l/min 38 l/min



CC	IT 4483 CC SO ZZ	1.390,00
NL	IT 4483 NL SO ZZ	1.806,00
US	IT 4483 US SO ZZ	2.139,00
DD	IT 4483 DD SO ZZ	2.889,00
DZ	IT 4483 DZ SO ZZ	2.889,00
SZ	IT 4483 SZ SO ZZ	2.889,00

Gruppo vasca con doccetta e soffione anticalcare
 Wall-mtd. bathtub set, anti-limescale
 hand-shower and shower head
 Mélangeur bain/douche mural,
 douchette et tête de douche anticalcaire
 Wanne/Brause Armatur A.P.,
 Antikalk Handbrause und Kopfbrause



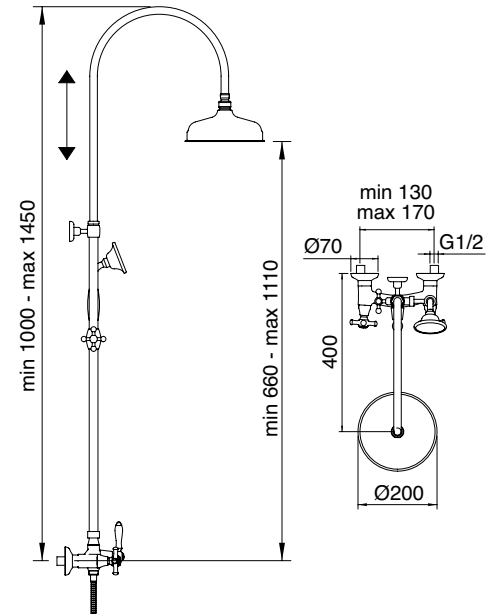
ITRTVT232CC - DX ITRTVT233CC - SX METAL 200 mm FLEX 1,5 M METAL QR N° 67 9 l/min 8 l/min 38 l/min

Old Italy



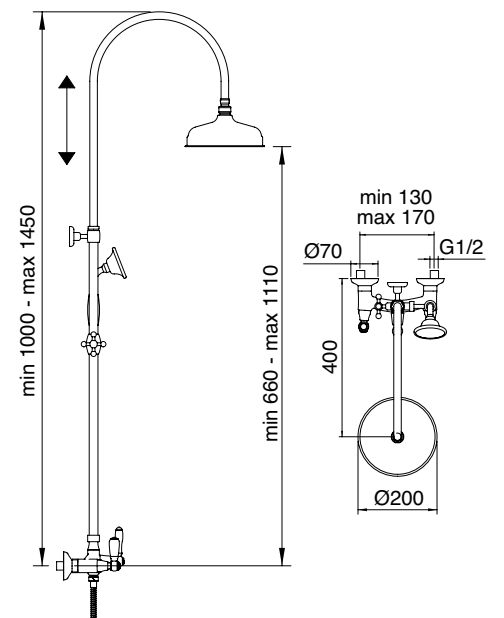
CC	IT 4490 CC OI ZZ	1.078,00
NL	IT 4490 NL OI ZZ	1.400,00
US	IT 4490 US OI ZZ	1.659,00
DD	IT 4490 DD OI ZZ	2.240,00
DZ	IT 4490 DZ OI ZZ	2.240,00
SZ	IT 4490 SZ OI ZZ	2.240,00

Gruppo doccia con doccetta e soffione anticalcare
 Wall-mtd. shower set, anti-limescale
 hand-shower and shower head
 Mélangeur douche mural, douchette et tête
 de douche anticalcaire
 Regenbrause-Set, Antikalk Handbrause
 und Kopfbrause



CC	IT 4490 CC SO ZZ	1.224,00
NL	IT 4490 NL SO ZZ	1.591,00
US	IT 4490 US SO ZZ	1.885,00
DD	IT 4490 DD SO ZZ	2.546,00
DZ	IT 4490 DZ SO ZZ	2.546,00
SZ	IT 4490 SZ SO ZZ	2.546,00

Gruppo doccia con doccetta e soffione anticalcare
 Wall-mtd. shower set, anti-limescale
 hand-shower and shower head
 Mélangeur douche mural, douchette et tête
 de douche anticalcaire
 Regenbrause-Set, Antikalk Handbrause
 und Kopfbrause





IT 4490 DD SO ZZ

X-CHANGE

ELECTRONIC

SHOWERS &
THERMOSTATICS

PICCADILLY

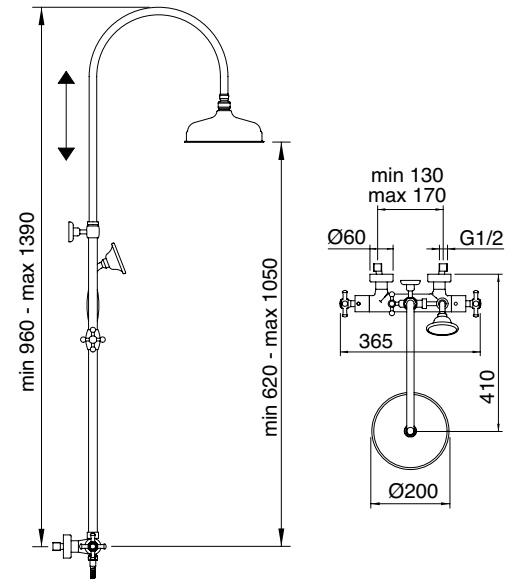
OLD ITALY

Old Italy



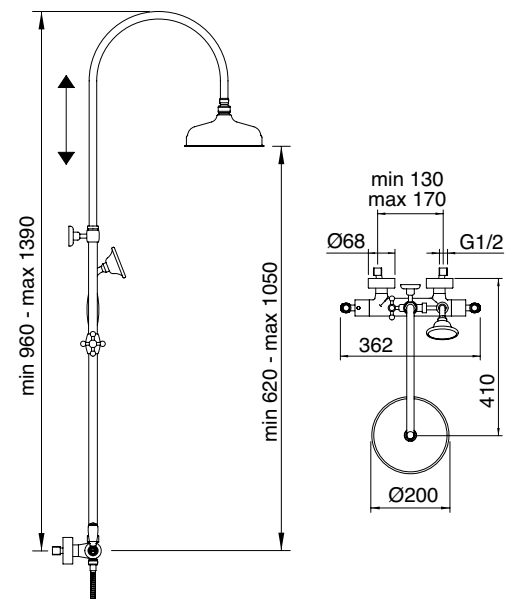
CC	IT 4495 CC OI ZZ	1.119,00
NL	IT 4495 NL OI ZZ	1.455,00
US	IT 4495 US OI ZZ	1.722,00
DD	IT 4495 DD OI ZZ	2.325,00
DZ	IT 4495 DZ OI ZZ	2.325,00
SZ	IT 4495 SZ OI ZZ	2.325,00

Gruppo doccia termostatico con doccetta e soffione anticalcare
 Wall-mtd. thermostatic shower set with anti-limescale hand-shower and shower head
 Thermostatique mural, douchette et tête de douche anticalcaire
 Regenbrause-Set mit Thermostat-Armatur, Antikalk Handbrause und Kopfbrause



CC	IT 4495 CC SO ZZ	1.217,00
NL	IT 4495 NL SO ZZ	1.582,00
US	IT 4495 US SO ZZ	1.873,00
DD	IT 4495 DD SO ZZ	2.529,00
DZ	IT 4495 DZ SO ZZ	2.529,00
SZ	IT 4495 SZ SO ZZ	2.529,00

Gruppo doccia termostatico con doccetta e soffione anticalcare
 Wall-mtd. thermostatic shower set with anti-limescale hand-shower and shower head
 Thermostatique mural, douchette et tête de douche anticalcaire
 Regenbrause-Set mit Thermostat-Armatur, Antikalk Handbrause und Kopfbrause





CC	IT 4456 CC OI ZZ	231,00
NL	IT 4456 NL OI ZZ	300,00
US	IT 4456 US OI ZZ	356,00
DD	IT 4456 DD OI ZZ	478,00
DZ	IT 4456 DZ OI ZZ	478,00
SZ	IT 4456 SZ OI ZZ	478,00

Gruppo esterno doccia senza set doccia
 Wall-mtd. shower mixer without shower set
 Mélangeur douche mural sans set de douche
 AP-Brause-Einhandbatterie ohne Duschset



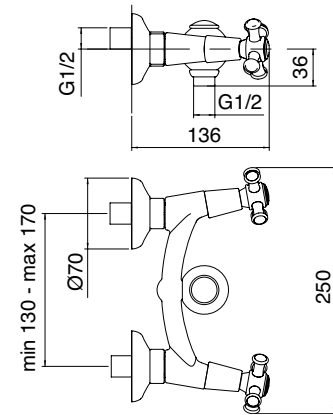
ITRTVT101CC



42 l/min



N° 67



CC	IT 4456 CC SO ZZ	329,00
NL	IT 4456 NL SO ZZ	428,00
US	IT 4456 US SO ZZ	506,00
DD	IT 4456 DD SO ZZ	683,00
DZ	IT 4456 DZ SO ZZ	683,00
SZ	IT 4456 SZ SO ZZ	683,00

Gruppo esterno doccia senza set doccia
 Wall-mtd. shower mixer without shower set
 Mélangeur douche mural sans set de douche
 AP-Brause-Einhandbatterie ohne Duschset



ITRTVT232CC - DX



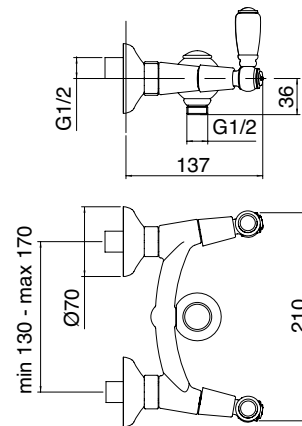
ITRTVT233CC - SX



42 l/min



N° 67



CC	IT 4488 CC OI ZZ	469,00
NL	IT 4488 NL OI ZZ	610,00
US	IT 4488 US OI ZZ	723,00
DD	IT 4488 DD OI ZZ	975,00
DZ	IT 4488 DZ OI ZZ	975,00
SZ	IT 4488 SZ OI ZZ	975,00

Termostatico esterno doccia
 Wall-mtd. thermostatic mixer
 Thermostatique mural
 AP-Thermostat



ITRTVT148ZZ



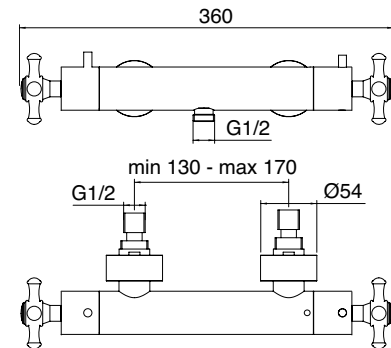
ITRTVT105ZZ



42 l/min



N° 67



CC	IT 4488 CC SO ZZ	568,00
NL	IT 4488 NL SO ZZ	737,00
US	IT 4488 US SO ZZ	873,00
DD	IT 4488 DD SO ZZ	1.179,00
DZ	IT 4488 DZ SO ZZ	1.179,00
SZ	IT 4488 SZ SO ZZ	1.179,00

Termostatico esterno doccia
 Wall-mtd. thermostatic mixer
 Thermostatique mural
 AP-Thermostat



ITRTVT148ZZ



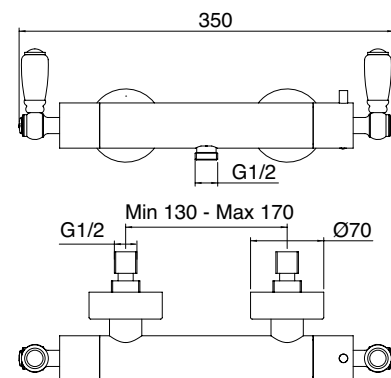
ITRTVT105ZZ



42 l/min



N° 67



Old Italy



CC	RWIT 8A46 CC 40	277,00
NL	RWIT 8A46 NL 40	388,00
US	RWIT 8A46 US 40	475,00
DD	RWIT 8A46 DD 40	611,00
DZ	RWIT 8A46 DZ 40	611,00
SZ	RWIT 8A46 SZ 40	611,00

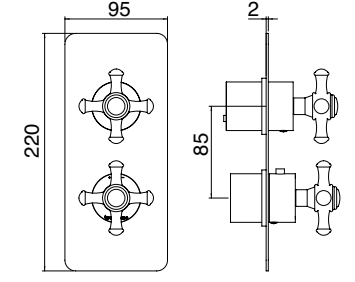
RWIT 8A46 ZZ 20 309,00

+ PARTI INCASSO - CONCEALED BODY
CORPS À ENCASTRER - UNTERPUTZTEIL



P_791

Termostatico incasso con deviatore 2 uscite
Concealed thermostatic with 2 ways diverter
Thermostatique à encastrer avec inverseur à 2 sorties
UP-Thermostat mit 2 Wege Umsteller



ITRTMT208ZZ	ITRTVT189ZZ	RWIT8A46_21	RWIT22A2_06	21 l/min	2 IN - 2 OUT	N° 12	N° 13	RWIT8A72ZZ90



CC	RWIT 8A46 CC 41	322,00
NL	RWIT 8A46 NL 41	451,00
US	RWIT 8A46 US 41	554,00
DD	RWIT 8A46 DD 41	711,00
DZ	RWIT 8A46 DZ 41	711,00
SZ	RWIT 8A46 SZ 41	711,00

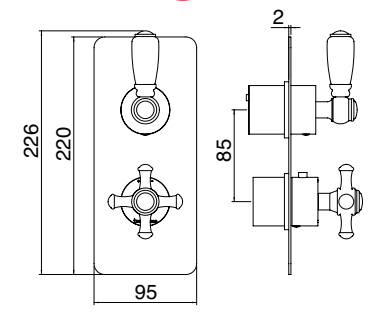
RWIT 8A46 ZZ 20 309,00

+ PARTI INCASSO - CONCEALED BODY
CORPS À ENCASTRER - UNTERPUTZTEIL



P_791

Termostatico incasso con deviatore 2 uscite
Concealed thermostatic with 2 ways diverter
Thermostatique à encastrer avec inverseur à 2 sorties
UP-Thermostat mit 2 Wege Umsteller



ITRTMT208ZZ	ITRTVT189ZZ	RWIT8A46_21	RWIT22A2_06	21 l/min	2 IN - 2 OUT	N° 12	N° 13	RWIT8A72ZZ90



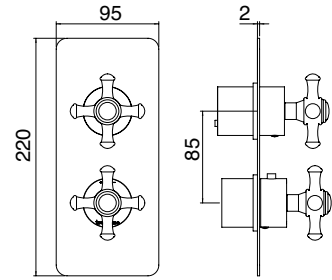


CC	RWIT 8A72 CC 40	322,00
NL	RWIT 8A72 NL 40	451,00
US	RWIT 8A72 US 40	554,00
DD	RWIT 8A72 DD 40	711,00
DZ	RWIT 8A72 DZ 40	711,00
SZ	RWIT 8A72 SZ 40	711,00

RWIT 8A46 ZZ 20 309,00
 + PARTI INCASSO - CONCEALED BODY
 CORPS À ENCASTRER - UNTERPUTZTEIL



Termostatico incasso con deviatore 3 uscite
 Concealed thermostatic with 3 ways diverter
 Thermostatique à encastrer avec inverseur à 3 sorties
 UP-Thermostat mit 3 Wege Umsteller

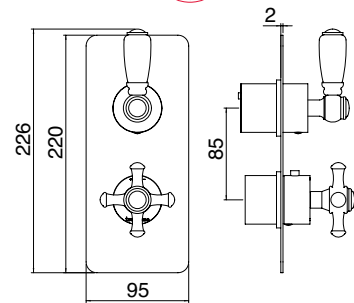


CC	RWIT 8A72 CC 41	367,00
NL	RWIT 8A72 NL 41	514,00
US	RWIT 8A72 US 41	632,00
DD	RWIT 8A72 DD 41	811,00
DZ	RWIT 8A72 DZ 41	811,00
SZ	RWIT 8A72 SZ 41	811,00

RWIT 8A46 ZZ 20 309,00
 + PARTI INCASSO - CONCEALED BODY
 CORPS À ENCASTRER - UNTERPUTZTEIL



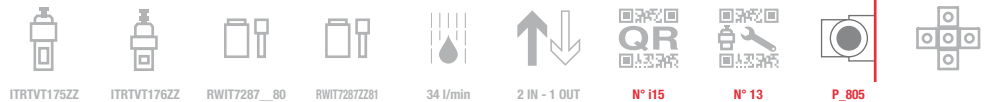
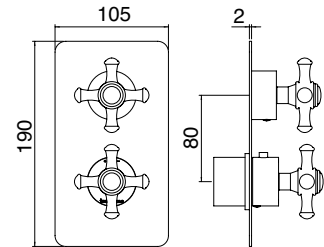
Termostatico incasso con deviatore 3 uscite
 Concealed thermostatic with 3 ways diverter
 Thermostatique à encastrer avec inverseur à 3 sorties
 UP-Thermostat mit 3 Wege Umsteller



CC	RWIT 4487 CC OI	248,00
NL	RWIT 4487 NL OI	347,00
US	RWIT 4487 US OI	426,00
DD	RWIT 4487 DD OI	547,00
DZ	RWIT 4487 DZ OI	547,00
SZ	RWIT 4487 SZ OI	547,00

RWIT 7287 ZZ 30 458,00
 + PARTI INCASSO - CONCEALED BODY
 CORPS À ENCASTRER - UNTERPUTZTEIL

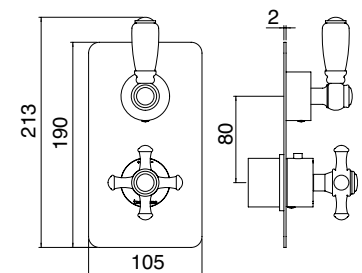
Termostatico incasso 1 uscita
 1 way concealed thermostatic
 Thermostatique à encastrer avec 1 sortie
 UP-Thermostat mit 1 Weg



CC	RWIT 4487 CC SO	293,00
NL	RWIT 4487 NL SO	410,00
US	RWIT 4487 US SO	504,00
DD	RWIT 4487 DD SO	647,00
DZ	RWIT 4487 DZ SO	647,00
SZ	RWIT 4487 SZ SO	647,00

RWIT 7287 ZZ 30 458,00
 + PARTI INCASSO - CONCEALED BODY
 CORPS À ENCASTRER - UNTERPUTZTEIL

Termostatico incasso 1 uscita
 1 way concealed thermostatic
 Thermostatique à encastrer avec 1 sortie
 UP-Thermostat mit 1 Weg

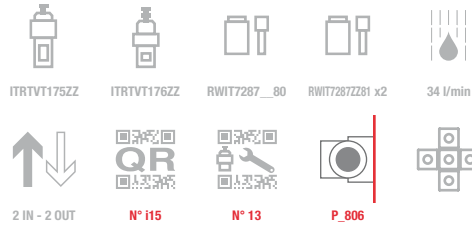


Old Italy

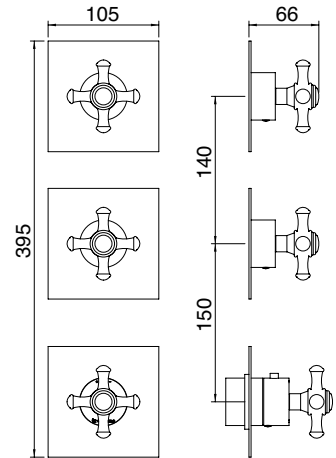


CC	RWIT 7274 CC 45	438,00
NL	RWIT 7274 NL 45	613,00
US	RWIT 7274 US 45	753,00
DD	RWIT 7274 DD 45	969,00
DZ	RWIT 7274 DZ 45	969,00
SZ	RWIT 7274 SZ 45	969,00

Termostatico incasso 2 uscite
2 ways concealed thermostatic
Thermostatique à encastrer avec 2 sorties
UP-Thermostat mit 2 Wege

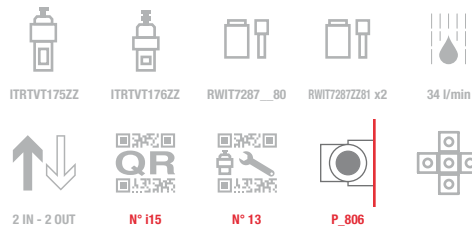


RWIT 7274 ZZ 40 762,00
+ PARTI INCASSO - CONCEALED BODY
CORPS À ENCASTRER - UNTERPUTZTEIL

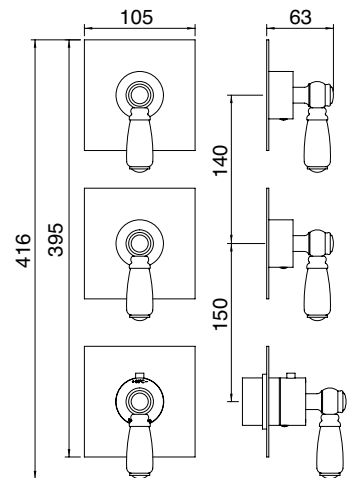


CC	RWIT 7274 CC 46	529,00
NL	RWIT 7274 NL 46	741,00
US	RWIT 7274 US 46	910,00
DD	RWIT 7274 DD 46	1.169,00
DZ	RWIT 7274 DZ 46	1.169,00
SZ	RWIT 7274 SZ 46	1.169,00

Termostatico incasso 2 uscite
2 ways concealed thermostatic
Thermostatique à encastrer avec 2 sorties
UP-Thermostat mit 2 Wege

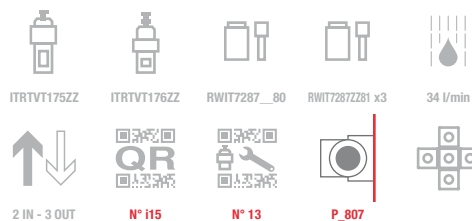


RWIT 7274 ZZ 40 762,00
+ PARTI INCASSO - CONCEALED BODY
CORPS À ENCASTRER - UNTERPUTZTEIL

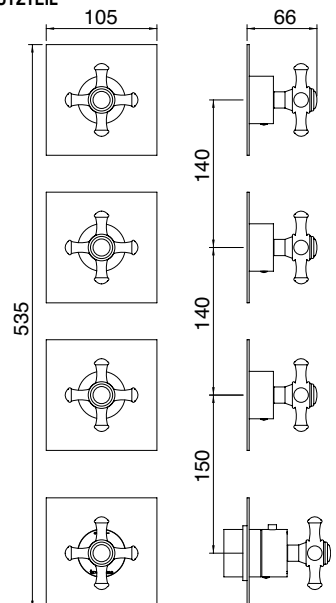


CC	RWIT 7275 CC 45	567,00
NL	RWIT 7275 NL 45	794,00
US	RWIT 7275 US 45	975,00
DD	RWIT 7275 DD 45	1.253,00
DZ	RWIT 7275 DZ 45	1.253,00
SZ	RWIT 7275 SZ 45	1.253,00

Termostatico incasso 3 uscite
3 ways concealed thermostatic
Thermostatique à encastrer avec 3 sorties
UP-Thermostat mit 3 Wege



RWIT 7275 ZZ 40 937,00
+ PARTI INCASSO - CONCEALED BODY
CORPS À ENCASTRER - UNTERPUTZTEIL

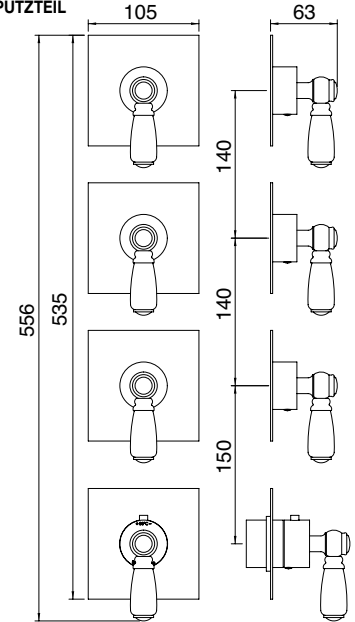




CC	RWIT 7275 CC 46	703,00
NL	RWIT 7275 NL 46	984,00
US	RWIT 7275 US 46	1.210,00
DD	RWIT 7275 DD 46	1.554,00
DZ	RWIT 7275 DZ 46	1.554,00
SZ	RWIT 7275 SZ 46	1.554,00

Termostatico incasso 3 uscite
 3 ways concealed thermostatic
 Thermostatique à encastrer avec 3 sorties
 UP-Thermostat mit 3 Wege

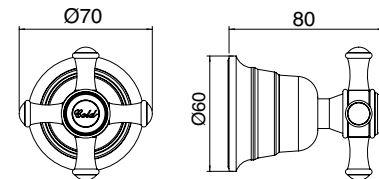
RWIT 7275 ZZ 40	937,00
+	PARTI INCASSO - CONCEALED BODY CORPS À ENCASTRER - UNTERPUTZTEIL



CC	RWIT 4440 CC 01	52,00
NL	RWIT 4440 NL 01	66,00
US	RWIT 4440 US 01	79,00
DD	RWIT 4440 DD 01	106,00
DZ	RWIT 4440 DZ 01	106,00
SZ	RWIT 4440 SZ 01	106,00

Rubinetto d'arresto 1/2" - COLD
 1/2" concealed stop valve - COLD
 Robinet à encastrer 1/2" - COLD
 UP-Ventil 1/2" - COLD

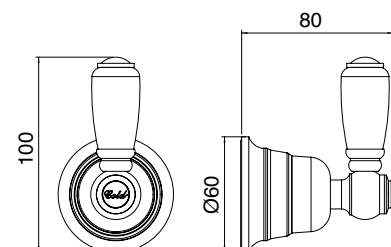
RWIT 4440 ZZ 72	38,00
+	PARTI INCASSO - CONCEALED BODY CORPS À ENCASTRER - UNTERPUTZTEIL



CC	RWIT 4440 CC 03	100,00
NL	RWIT 4440 NL 03	130,00
US	RWIT 4440 US 03	154,00
DD	RWIT 4440 DD 03	208,00
DZ	RWIT 4440 DZ 03	208,00
SZ	RWIT 4440 SZ 03	208,00

Rubinetto d'arresto 1/2" - COLD
 1/2" concealed stop valve - COLD
 Robinet à encastrer 1/2" - COLD
 UP-Ventil 1/2" - COLD

RWIT 4440 ZZ 01	38,00
+	PARTI INCASSO - CONCEALED BODY CORPS À ENCASTRER - UNTERPUTZTEIL



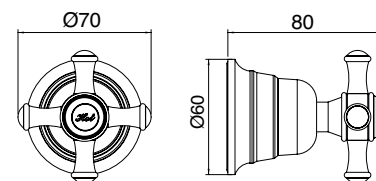
Old Italy



CC	RWIT 4440 CC 05	52,00
NL	RWIT 4440 NL 05	66,00
US	RWIT 4440 US 05	79,00
DD	RWIT 4440 DD 05	106,00
DZ	RWIT 4440 DZ 05	106,00
SZ	RWIT 4440 SZ 05	106,00

Rubinetto d'arresto 1/2" - HOT
1/2" concealed stop valve - HOT
Robinet à encastrer 1/2" - HOT
UP-Ventil 1/2" - HOT

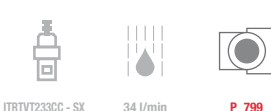
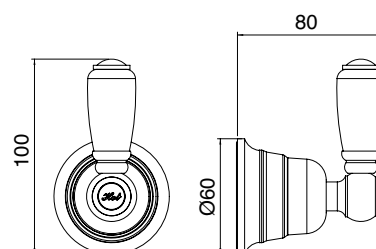
RWIT 4440 ZZ 72	38,00
+	PARTI INCASSO - CONCEALED BODY CORPS À ENCASTRER - UNTERPUTZTEIL



CC	RWIT 4440 CC 04	100,00
NL	RWIT 4440 NL 04	130,00
US	RWIT 4440 US 04	154,00
DD	RWIT 4440 DD 04	208,00
DZ	RWIT 4440 DZ 04	208,00
SZ	RWIT 4440 SZ 04	208,00

Rubinetto d'arresto 1/2" - HOT
1/2" concealed stop valve - HOT
Robinet à encastrer 1/2" - HOT
UP-Ventil 1/2" - HOT

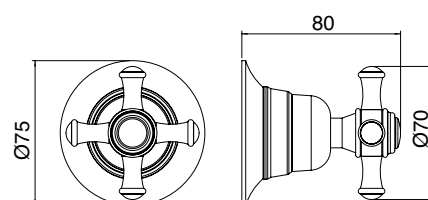
RWIT 4440 ZZ 02	38,00
+	PARTI INCASSO - CONCEALED BODY CORPS À ENCASTRER - UNTERPUTZTEIL



CC	RWIT 4462 CC 40	80,00
NL	RWIT 4462 NL 40	102,00
US	RWIT 4462 US 40	122,00
DD	RWIT 4462 DD 40	163,00
DZ	RWIT 4462 DZ 40	163,00
SZ	RWIT 4462 SZ 40	163,00

Deviatore incasso 2 uscite
2 ways concealed diverter
Inverseur à encastrer à 2 sorties
2 Wege UP- Umsteller

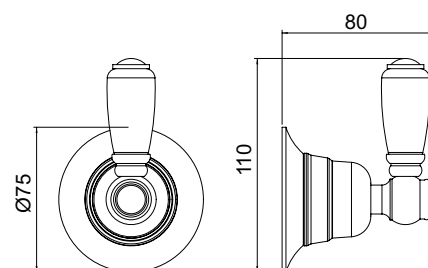
RWIT 4462 ZZ 72	67,00
+	PARTI INCASSO - CONCEALED BODY CORPS À ENCASTRER - UNTERPUTZTEIL



CC	RWIT 4462 CC 41	128,00
NL	RWIT 4462 NL 41	166,00
US	RWIT 4462 US 41	197,00
DD	RWIT 4462 DD 41	265,00
DZ	RWIT 4462 DZ 41	265,00
SZ	RWIT 4462 SZ 41	265,00

Deviatore incasso 2 uscite
2 ways concealed diverter
Inverseur à encastrer à 2 sorties
2 Wege UP- Umsteller

RWIT 4462 ZZ 72	67,00
+	PARTI INCASSO - CONCEALED BODY CORPS À ENCASTRER - UNTERPUTZTEIL

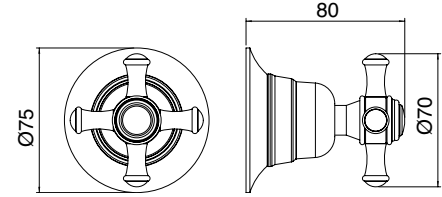


CC	RWIT 4462 CC 40	80,00
NL	RWIT 4462 NL 40	102,00
US	RWIT 4462 US 40	122,00
DD	RWIT 4462 DD 40	163,00
DZ	RWIT 4462 DZ 40	163,00
SZ	RWIT 4462 SZ 40	163,00

RWIT 4465 ZZ 72	140,00
+	PARTI INCASSO - CONCEALED BODY CORPS À ENCASTRER - UNTERPUTZTEIL



Deviatore incasso 3 uscite
3 ways concealed diverter
Inverseur à encastrer à 3 sorties
3 Wege UP- Umsteller



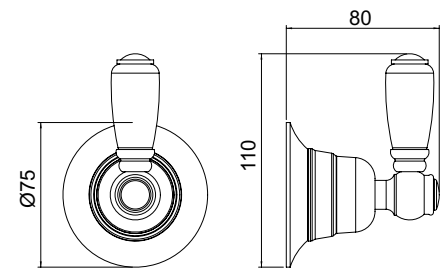
ITRTVT154ZZ 34 l/min P_800

CC	RWIT 4462 CC 41	128,00
NL	RWIT 4462 NL 41	166,00
US	RWIT 4462 US 41	197,00
DD	RWIT 4462 DD 41	265,00
DZ	RWIT 4462 DZ 41	265,00
SZ	RWIT 4462 SZ 41	265,00

RWIT 4465 ZZ 72	140,00
+	PARTI INCASSO - CONCEALED BODY CORPS À ENCASTRER - UNTERPUTZTEIL



Deviatore incasso 3 uscite
3 ways concealed diverter
Inverseur à encastrer à 3 sorties
3 Wege UP- Umsteller

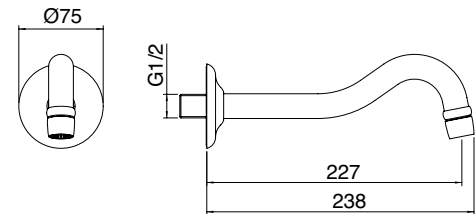


ITRTVT154ZZ 34 l/min P_800

CC	IT 2163 CC ZZ HF	79,00
NL	IT 2163 NL ZZ HF	101,00
US	IT 2163 US ZZ HF	120,00
DD	IT 2163 DD ZZ HF	161,00
DZ	IT 2163 DZ ZZ HF	161,00
SZ	IT 2163 SZ ZZ HF	161,00



Bocca a muro per vasca 227
Wall-mtd. spout for bathtub 227
Bec mural pour baignoire 227
Wandauslauf für Badewannen 227

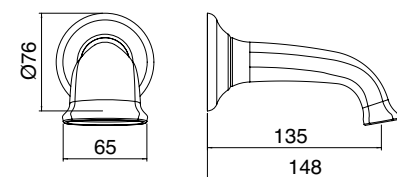


ITRTAE101_ 38 l/min

CC	IT 0863 CC ZZ ZZ	57,00
NL	IT 0863 NL ZZ ZZ	75,00
US	IT 0863 US ZZ ZZ	87,00
DD	IT 0863 DD ZZ ZZ	118,00
DZ	IT 0863 DZ ZZ ZZ	118,00
SZ	IT 0863 SZ ZZ ZZ	118,00



Bocca a muro per vasca 135
Wall-mtd. spout for bathtub 135
Bec mural pour baignoire 135
Wandauslauf für Badewannen 135



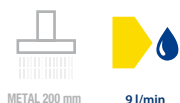
34 l/min

Old Italy

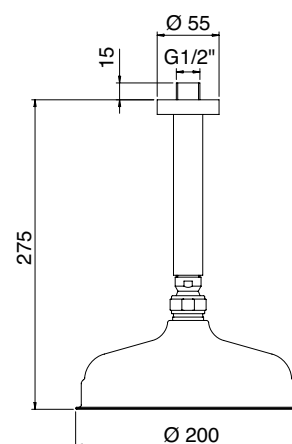


CC	IT 0452 CC ZZ ZZ	237,00
NL	IT 0452 NL ZZ ZZ	308,00
US	IT 0452 US ZZ ZZ	365,00
DD	IT 0452 DD ZZ ZZ	493,00
DZ	IT 0452 DZ ZZ ZZ	493,00
SZ	IT 0452 SZ ZZ ZZ	493,00

Soffione a soffitto anticalcare
Ceiling anti-limescale shower-head
Douche de tête anticalcaire avec bras au plafond
Antikalk Regenbrause mit Deckenanbindung



METAL 200 mm 9l/min

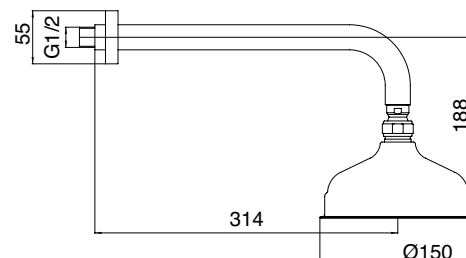


CC	IT 0499 CC ZZ ZZ	175,00
NL	IT 0499 NL ZZ ZZ	227,00
US	IT 0499 US ZZ ZZ	269,00
DD	IT 0499 DD ZZ ZZ	363,00
DZ	IT 0499 DZ ZZ ZZ	363,00
SZ	IT 0499 SZ ZZ ZZ	363,00

Soffione a parete anticalcare
Anti-limescale shower-head
Douche de tête anticalcaire avec bras mural
Antikalk Kopfbrause mit Arm



METAL 150 mm 9l/min

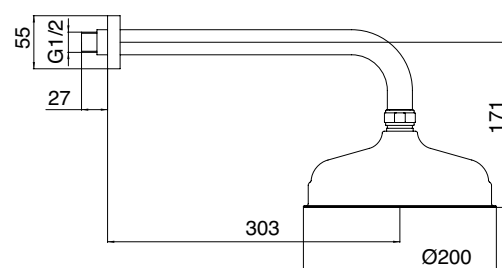


CC	IT 0495 CC ZZ ZZ	258,00
NL	IT 0495 NL ZZ ZZ	334,00
US	IT 0495 US ZZ ZZ	396,00
DD	IT 0495 DD ZZ ZZ	535,00
DZ	IT 0495 DZ ZZ ZZ	535,00
SZ	IT 0495 SZ ZZ ZZ	535,00

Soffione a parete anticalcare
Anti-limescale shower-head
Douche de tête anticalcaire avec bras mural
Antikalk Kopfbrause mit Arm



METAL 200 mm 9l/min

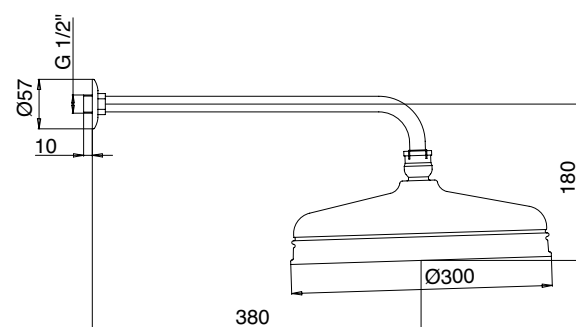


CC	IT 0497 CC ZZ ZZ	463,00
NL	IT 0497 NL ZZ ZZ	601,00
US	IT 0497 US ZZ ZZ	712,00
DD	IT 0497 DD ZZ ZZ	961,00
DZ	IT 0497 DZ ZZ ZZ	961,00
SZ	IT 0497 SZ ZZ ZZ	961,00

Soffione a parete anticalcare
Anti-limescale shower-head
Douche de tête anticalcaire avec bras mural
Antikalk Kopfbrause mit Arm



METAL 300 mm 9l/min





IT 4488 CC OI ZZ + RWIT 4467 CC 01



CC	RWIT 4467 CC 01	223,00
NL	RWIT 4467 NL 01	290,00
US	RWIT 4467 US 01	342,00
DD	RWIT 4467 DD 01	463,00
DZ	RWIT 4467 DZ 01	463,00
SZ	RWIT 4467 SZ 01	463,00

Kit saliscendi senza presa acqua
 Sliding-bar kit without wall hose outlet
 Barre coulissante sans coude mural
 Gleitstange ohne Wandaschlussbogen



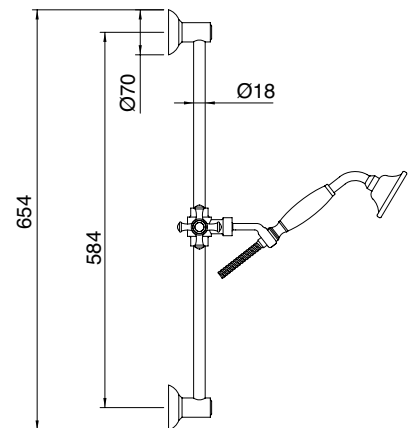
1,5 M



METAL



8 l/min



Old Italy



CC	RWIT 4467 CC 02	269,00
NL	RWIT 4467 NL 02	350,00
US	RWIT 4467 US 02	415,00
DD	RWIT 4467 DD 02	560,00
DZ	RWIT 4467 DZ 02	560,00
SZ	RWIT 4467 SZ 02	560,00

Kit saliscendi senza presa acqua
Sliding-bar kit without wall hose outlet
Barre coulissante sans coude mural
Gleitstange ohne Wandanschlussbogen



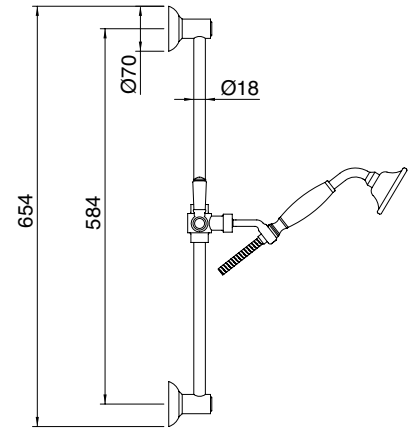
1,5 M



METAL



8 l/min



CC	IT RTGA 123 CC	25,00
NL	IT RTGA 123 NL	49,00
US	IT RTGA 123 US	27,00
DD	IT RTGA 123 DD	34,00
DZ	IT RTGA 123 DZ	38,00
SZ	IT RTGA 123 SZ	38,00

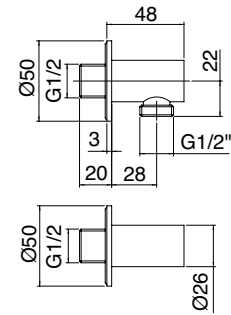
Presa acqua a muro
Wall hose outlet
Coude mural
Wandanschlussbogen



1/2 M



1/2 M





Romantica

design by treemme

- chrome **CC**
- polished nickel **NL**
- brushed bronze **US**
- gold **DD**
- brushed gold **DZ**
- brushed rose gold **SZ**

SHOWERS &
THERMOSTATICS

ELECTRONIC

X-CHANGE

PICCADILLY

OLD ITALY

ROMANTICA

Romantica

X-CHANGE

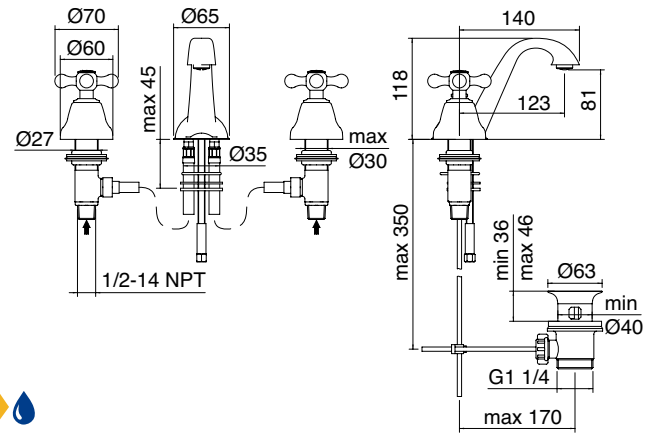
ELECTRONIC

SHOWERS & THERMOSTATICS



CC	IT 3610 CC PV ZZ	256,00
NL	IT 3610 NL PV ZZ	332,00
US	IT 3610 US PV ZZ	393,00
DD	IT 3610 DD PV ZZ	529,00
DZ	IT 3610 DZ PV ZZ	529,00
SZ	IT 3610 SZ PV ZZ	529,00

Batteria lavabo 3 fori
3 hole washbasin mixer
Mélangeur lavabo 3 trous
Waschtisch Dreilochbatterie



PICCADILLY

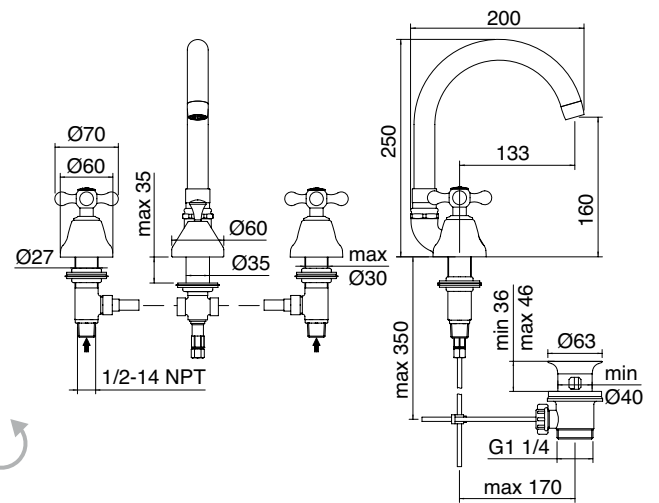
OLD ITALY

ROMANTICA



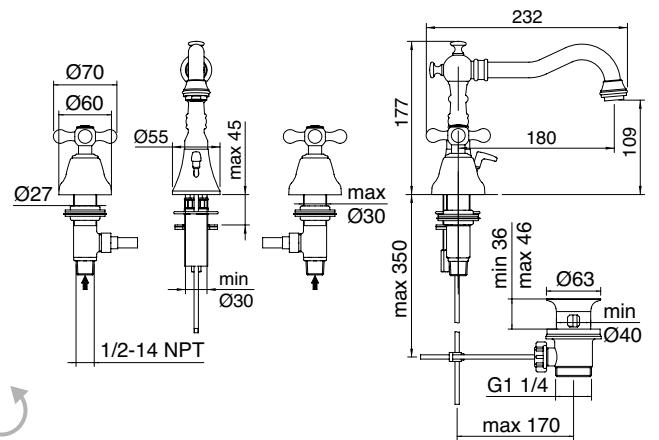
CC	IT 3616 CC PV ZZ	305,00
NL	IT 3616 NL PV ZZ	397,00
US	IT 3616 US PV ZZ	470,00
DD	IT 3616 DD PV ZZ	634,00
DZ	IT 3616 DZ PV ZZ	634,00
SZ	IT 3616 SZ PV ZZ	634,00

Batteria lavabo 3 fori
3 hole washbasin mixer
Mélangeur lavabo 3 trous
Waschtisch Dreilochbatterie



CC	IT 3617 CC PV ZZ	354,00
NL	IT 3617 NL PV ZZ	460,00
US	IT 3617 US PV ZZ	545,00
DD	IT 3617 DD PV ZZ	736,00
DZ	IT 3617 DZ PV ZZ	736,00
SZ	IT 3617 SZ PV ZZ	736,00

Batteria lavabo 3 fori
3 hole washbasin mixer
Mélangeur lavabo 3 trous
Waschtisch Dreilochbatterie

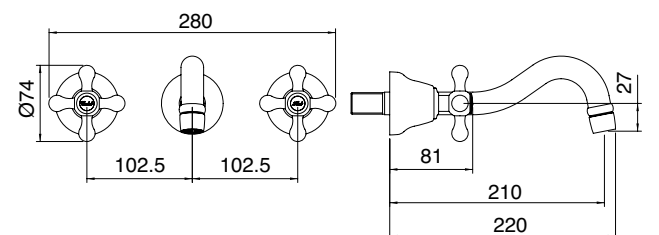


CC	RWIT 3652 CC 12	148,00
NL	RWIT 3652 NL 12	191,00
US	RWIT 3652 US 12	226,00
DD	RWIT 3652 DD 12	305,00
DZ	RWIT 3652 DZ 12	305,00
SZ	RWIT 3652 SZ 12	305,00

Gruppo lavabo a muro 210
Wall mounted 3 hole washbasin 210
Mélangeur lavabo à encastrer 3 trous 210
UP-Waschtisch Dreilochbatterie 210



RWIT 3652 ZZ 01 250,00
+ PARTI INCASSO - CONCEALED BODY
CORPS À ENCASTER - UNTERPUTZTEIL





X-CHANGE

ELECTRONIC

SHOWERS &
THERMOSTATICS

PICCADILLY

OLD ITALY

ROMANTICA

X-CHANGE

ELECTRONIC

SHOWERS &
THERMOSTATICS

PICCADILLY

OLD ITALY

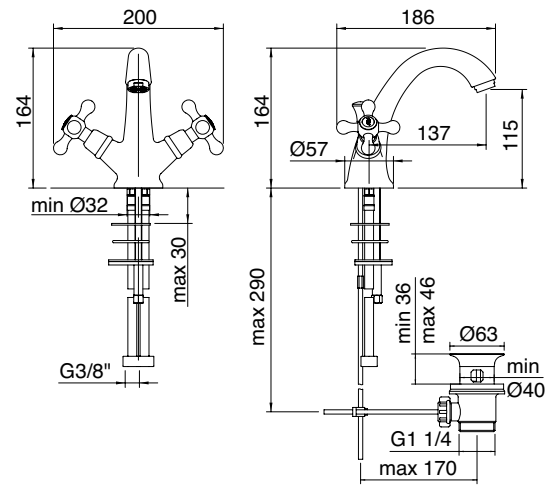
ROMANTICA





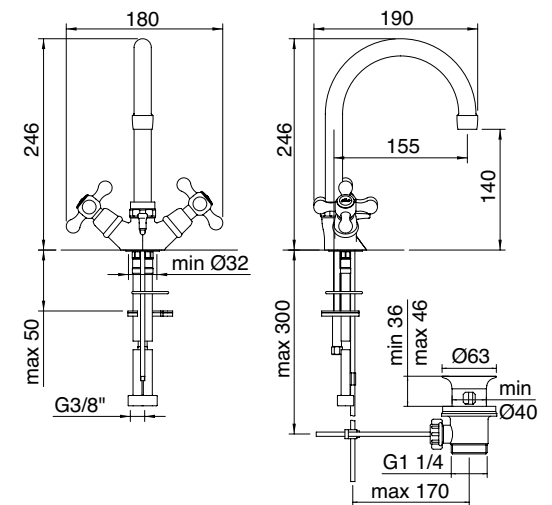
CC	IT 3614 CC PV ZZ	191,00
NL	IT 3614 NL PV ZZ	248,00
US	IT 3614 US PV ZZ	293,00
DD	IT 3614 DD PV ZZ	396,00
DZ	IT 3614 DZ PV ZZ	396,00
SZ	IT 3614 SZ PV ZZ	396,00

Miscelatore lavabo 2 maniglie
2-handle basin mixer
Mélangeur lavabo monotrou
2-Griff Waschtischarmatur



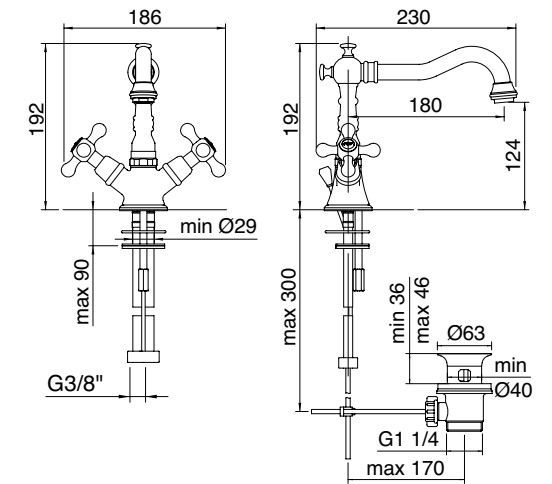
CC	IT 3615 CC PV ZZ	187,00
NL	IT 3615 NL PV ZZ	242,00
US	IT 3615 US PV ZZ	287,00
DD	IT 3615 DD PV ZZ	386,00
DZ	IT 3615 DZ PV ZZ	386,00
SZ	IT 3615 SZ PV ZZ	386,00

Miscelatore lavabo 2 maniglie
2-handle basin mixer
Mélangeur lavabo monotrou
2-Griff Waschtischarmatur



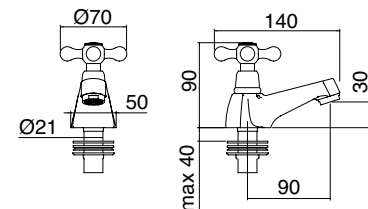
CC	IT 3618 CC PV ZZ	245,00
NL	IT 3618 NL PV ZZ	318,00
US	IT 3618 US PV ZZ	377,00
DD	IT 3618 DD PV ZZ	509,00
DZ	IT 3618 DZ PV ZZ	509,00
SZ	IT 3618 SZ PV ZZ	509,00

Miscelatore lavabo 2 maniglie
2-handle basin mixer
Mélangeur lavabo monotrou
2-Griff Waschtischarmatur



CC	IT 3612 CC PV ZZ	79,00
NL	IT 3612 NL PV ZZ	101,00
US	IT 3612 US PV ZZ	120,00
DD	IT 3612 DD PV ZZ	161,00
DZ	IT 3612 DZ PV ZZ	161,00
SZ	IT 3612 SZ PV ZZ	161,00

Rubinetto acqua fredda
Cold water tap
Robinet eau froide
Kalt- Wasser Standarmatur

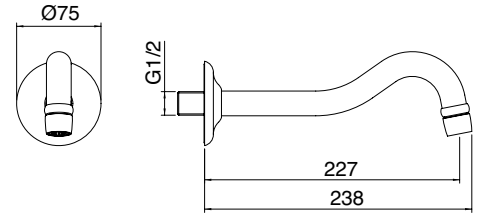


Romantica



CC	IT 2163 CC ZZ ZZ	79,00
NL	IT 2163 NL ZZ ZZ	101,00
US	IT 2163 US ZZ ZZ	120,00
DD	IT 2163 DD ZZ ZZ	161,00
DZ	IT 2163 DZ ZZ ZZ	161,00
SZ	IT 2163 SZ ZZ ZZ	161,00

Bocca a muro 227
Wall-mtd. spout 227
Bec mural 227
Wandauslauf 227



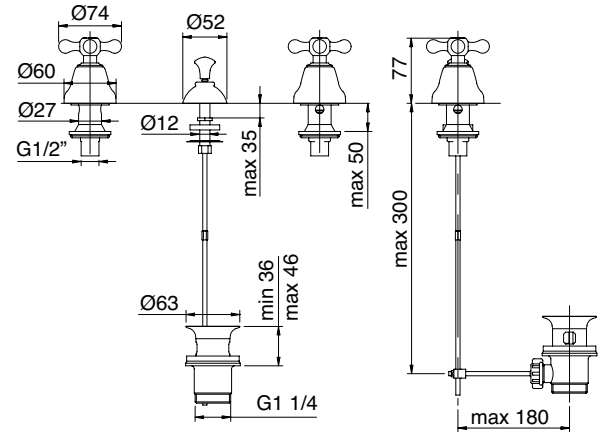
ITRTAE112_ 8 l/min

CC	IT 3620 CC PV ZZ	187,00
NL	IT 3620 NL PV ZZ	242,00
US	IT 3620 US PV ZZ	287,00
DD	IT 3620 DD PV ZZ	386,00
DZ	IT 3620 DZ PV ZZ	386,00
SZ	IT 3620 SZ PV ZZ	386,00

Batteria bidet senza canna
3 hole bidet without spout
Mélangeur bidet 3 trous sans bec
Bidet Dreilochbatterie ohne Auslauf



ITRTVT101CC ITRTSA106_

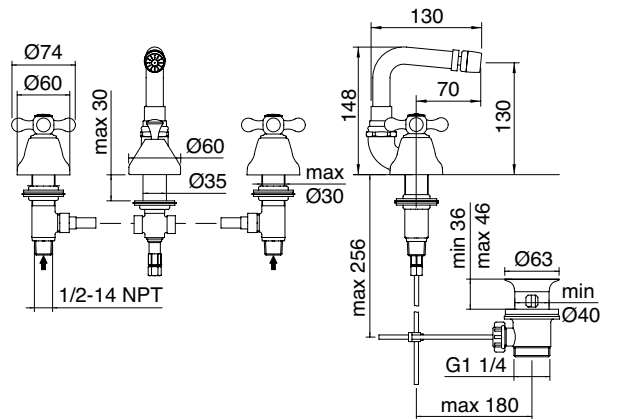


CC	IT 3627 CC PV ZZ	350,00
NL	IT 3627 NL PV ZZ	455,00
US	IT 3627 US PV ZZ	539,00
DD	IT 3627 DD PV ZZ	727,00
DZ	IT 3627 DZ PV ZZ	727,00
SZ	IT 3627 SZ PV ZZ	727,00

Batteria bidet 3 fori
3 hole bidet mixer
Mélangeur bidet 3 trous
Bidet Dreilochbatterie



ITRTVT101CC ITRTSA106_ 43° - ITRTAE105_ ITRTAE112_ 7 l/min

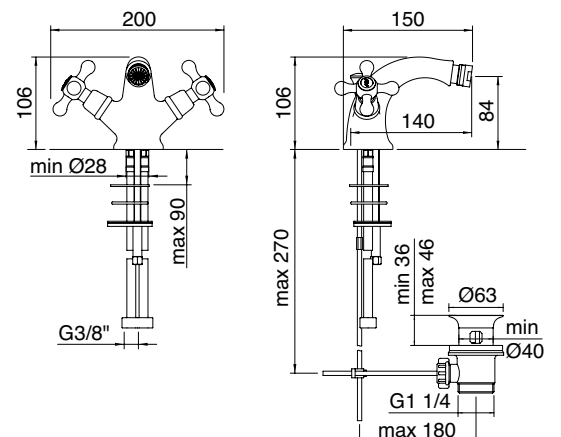


CC	IT 3624 CC PV ZZ	196,00
NL	IT 3624 NL PV ZZ	255,00
US	IT 3624 US PV ZZ	301,00
DD	IT 3624 DD PV ZZ	407,00
DZ	IT 3624 DZ PV ZZ	407,00
SZ	IT 3624 SZ PV ZZ	407,00

Miscelatore bidet 2 maniglie
2-handle bidet mixer
Mélangeur bidet monotrou
2-Griff Bidetarmatur



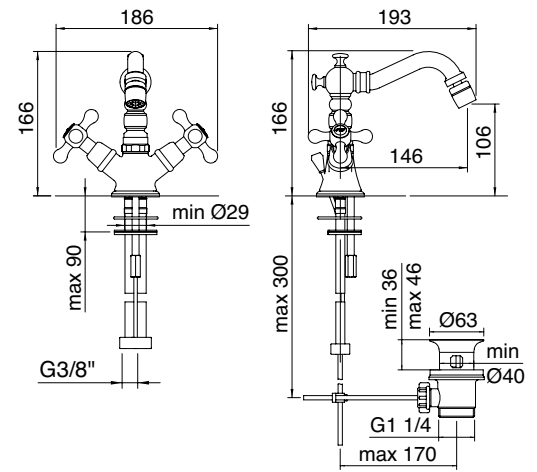
ITRTVT101CC ITRTSA106_ 43° - ITRTAE107_ ITRTAE114_ 5 l/min





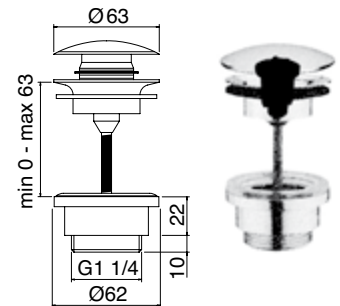
CC	IT 3629 CC PV ZZ	256,00
NL	IT 3629 NL PV ZZ	332,00
US	IT 3629 US PV ZZ	393,00
DD	IT 3629 DD PV ZZ	529,00
DZ	IT 3629 DZ PV ZZ	529,00
SZ	IT 3629 SZ PV ZZ	529,00

Miscelatore bidet 2 maniglie
 2-handle bidet mixer
 Mélangeur bidet monotrou
 2-Griff Bidetarmatur



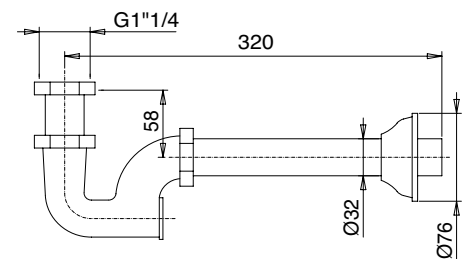
CC	IT RTSA 117 CC	28,00
NL	IT RTSA 117 NL	39,00
US	IT RTSA 117 US	45,00
DD	IT RTSA 117 DD	54,00
DZ	IT RTSA 117 DZ	59,00
SZ	IT RTSA 117 SZ	59,00

Scarico click-clack universale con inserto per sempre aperto
 Universal up/down pop-up waste with adaptor for continuous water flow
 Bonde click-clack universelle avec option écoulement libre
 Universal-Ablaufgarnitur Click-Clack mit Verschlussperle



CC	IT 0421 CC ZZ ZZ	30,00
NL	IT 0421 NL ZZ ZZ	94,00
US	IT 0421 US ZZ ZZ	116,00
DD	IT 0421 DD ZZ ZZ	149,00
DZ	IT 0421 DZ ZZ ZZ	149,00
SZ	IT 0421 SZ ZZ ZZ	149,00

Sifone ad S per lavabo 1" 1/4
 Wash basin S-shaped waste pipe 1" 1/4
 Siphon pour lavabo 1" 1/4
 Siphon für Waschtisch 1" 1/4





CC
chrome



NL
polished nickel



US
brushed bronze



DD
gold



DZ
brushed gold



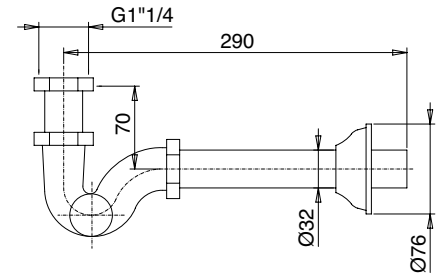
SZ
brushed rose gold

Romantica



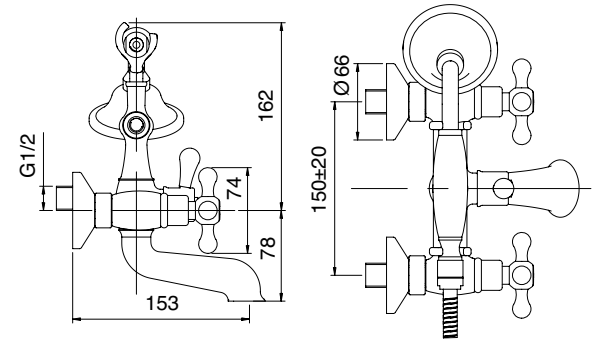
CC	IT 0433 CC ZZ ZZ	30,00
NL	IT 0433 NL ZZ ZZ	94,00
US	IT 0433 US ZZ ZZ	116,00
DD	IT 0433 DD ZZ ZZ	149,00
DZ	IT 0433 DZ ZZ ZZ	149,00
SZ	IT 0433 SZ ZZ ZZ	149,00

Sifone ad S per bidet 1" 1/4
 Bidet S-shaped waste pipe 1" 1/4
 Siphon pour bidet 1" 1/4
 Siphon für Bidet 1" 1/4



CC	IT 3601 CC PV ZZ	386,00
NL	IT 3601 NL PV ZZ	501,00
US	IT 3601 US PV ZZ	593,00
DD	IT 3601 DD PV ZZ	801,00
DZ	IT 3601 DZ PV ZZ	801,00
SZ	IT 3601 SZ PV ZZ	801,00

Gruppo vasca
 Wall-mtd. bathtub
 Mélangeur bain/douche mural
 Wanne/Brause Armatur A.P.



ITRTVT101CC



1,5 M



METAL



42 l/min



8 l/min

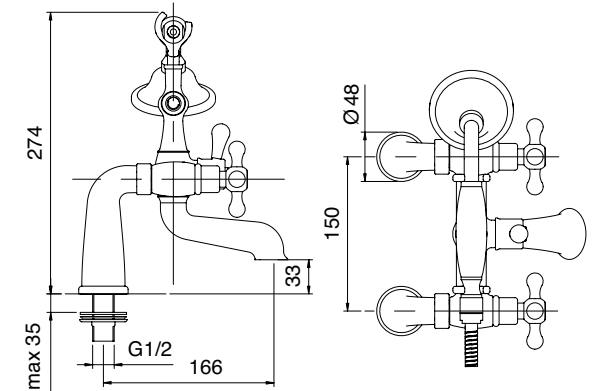


N° 67



CC	IT 3607 CC PV ZZ	414,00
NL	IT 3607 NL PV ZZ	538,00
US	IT 3607 US PV ZZ	636,00
DD	IT 3607 DD PV ZZ	860,00
DZ	IT 3607 DZ PV ZZ	860,00
SZ	IT 3607 SZ PV ZZ	860,00

Gruppo esterno piano vasca
 Deck-mtd. bathtub
 Mélangeur bain/douche sur gorge
 Wanne/Brause Armatur für Wannenrandmout



ITRTVT101CC



1,5 M



METAL



42 l/min

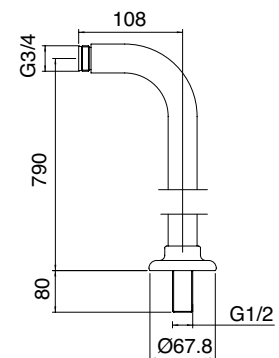


8 l/min



CC	IT 0470 CC ZZ ZZ	327,00
NL	IT 0470 NL ZZ ZZ	424,00
US	IT 0470 US ZZ ZZ	504,00
DD	IT 0470 DD ZZ ZZ	678,00
DZ	IT 0470 DZ ZZ ZZ	678,00
SZ	IT 0470 SZ ZZ ZZ	678,00

Colonne per gruppo vasca
 Bathtub pipes
 Colonnets pour baignoire
 Anschlussrohren für AP-Wannen Batteri





IT 3601 US PV ZZ

ROMANTICA

OLD ITALY

PICCADILLY

SHOWERS &
THERMOSTATICS

ELECTRONIC

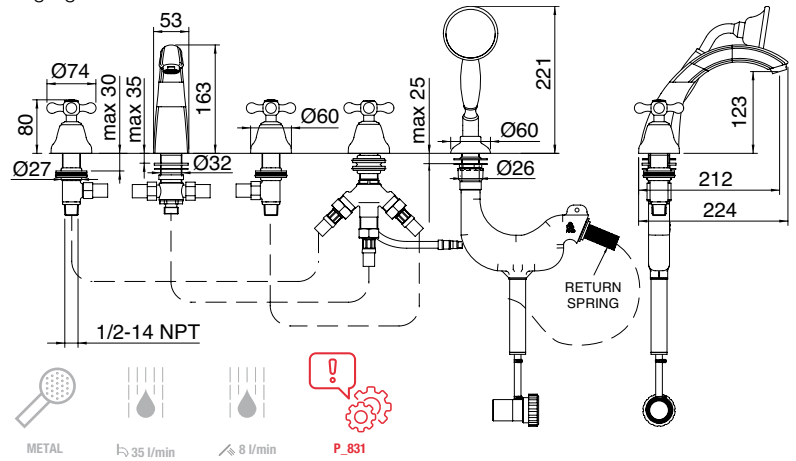
X-CHANGE

ROMANTICA
OLD ITALY
PICCADILLY
SHOWERS & THERMOSTATICS
ELECTRONIC
X-CHANGE



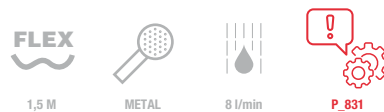
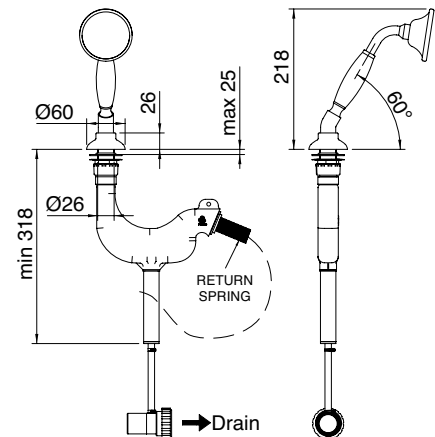
CC	IT 3606 CC PV ZZ	696,00
NL	IT 3606 NL PV ZZ	904,00
US	IT 3606 US PV ZZ	1.071,00
DD	IT 3606 DD PV ZZ	1.445,00
DZ	IT 3606 DZ PV ZZ	1.445,00
SZ	IT 3606 SZ PV ZZ	1.445,00

Batteria bordo vasca 5 fori con doccetta estraibile
 5 hole deck-mounted bathtub
 Mélangeur bain/douche 5 trous sur gorge
 Fünfloch - Wannenrandarmatur



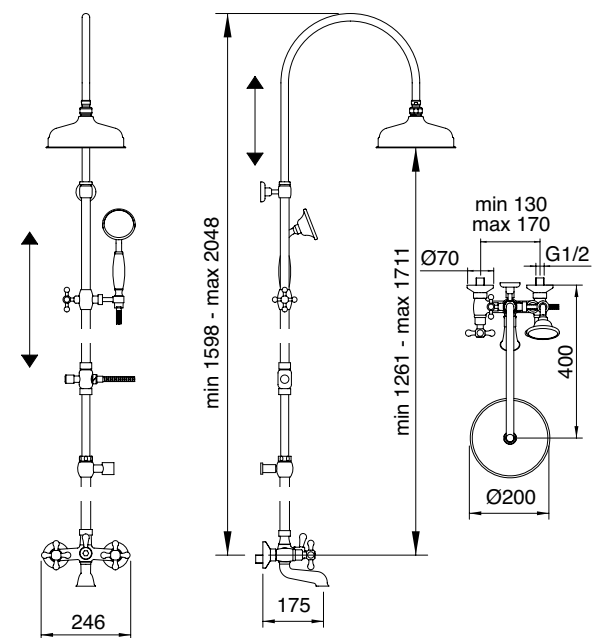
CC	RWIT 2165 CC 25	227,00
NL	RWIT 2165 NL 25	295,00
US	RWIT 2165 US 25	350,00
DD	RWIT 2165 DD 25	472,00
DZ	RWIT 2165 DZ 25	472,00
SZ	RWIT 2165 SZ 25	472,00

Doccetta estraibile bordo vasca
 Deck-mounted retractable handshower
 Douchette extractible sur gorge
 Versenkbare Schlauchbrause



CC	IT 3683 CC PV ZZ	1.228,00
NL	IT 3683 NL PV ZZ	1.596,00
US	IT 3683 US PV ZZ	1.891,00
DD	IT 3683 DD PV ZZ	2.553,00
DZ	IT 3683 DZ PV ZZ	2.553,00
SZ	IT 3683 SZ PV ZZ	2.553,00

Gruppo vasca con doccetta e soffione anticalcare
 Wall-mtd. bathtub set, anti-limescale
 hand-shower and shower head
 Mélangeur bain/douche mural,
 douchette et tête de douche anticalcaire
 Wanne/Brause Armatur A.P.,
 Antikalk Handbrause und Kopfbrause

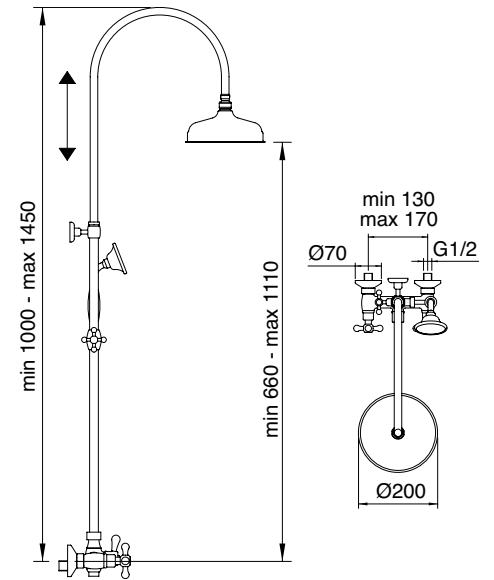


Romantica



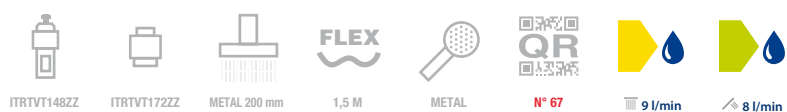
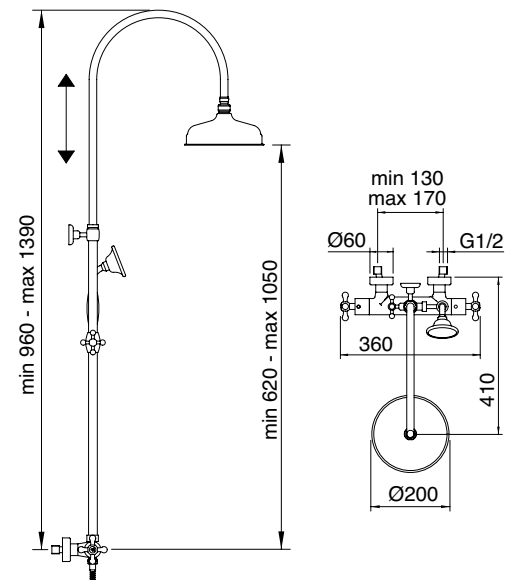
CC	IT 3690 CC PV ZZ	1.023,00
NL	IT 3690 NL PV ZZ	1.331,00
US	IT 3690 US PV ZZ	1.576,00
DD	IT 3690 DD PV ZZ	2.128,00
DZ	IT 3690 DZ PV ZZ	2.128,00
SZ	IT 3690 SZ PV ZZ	2.128,00

Gruppo doccia con doccetta e soffione anticalcare
 Wall-mtd. shower set, anti-limescale
 hand-shower and shower head
 Mélangeur douche mural, douchette et tête
 de douche anticalcaire
 Regenbrause-Set, Antikalk Handbrause
 und Kopfbrause



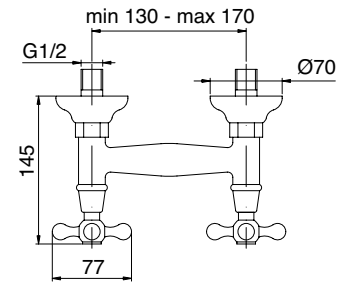
CC	IT 3695 CC PV ZZ	1.104,00
NL	IT 3695 NL PV ZZ	1.433,00
US	IT 3695 US PV ZZ	1.698,00
DD	IT 3695 DD PV ZZ	2.292,00
DZ	IT 3695 DZ PV ZZ	2.292,00
SZ	IT 3695 SZ PV ZZ	2.292,00

Gruppo doccia termostatico con doccetta
 e soffione anticalcare
 Wall-mtd. thermostatic shower set with
 anti-limescale hand-shower and shower head
 Thermostatique mural, douchette et tête
 de douche anticalcaire
 Regenbrause-Set mit Thermostat-Armatur,
 Antikalk Handbrause und Kopfbrause



CC	IT 3656 CC PV ZZ	166,00
NL	IT 3656 NL PV ZZ	217,00
US	IT 3656 US PV ZZ	256,00
DD	IT 3656 DD PV ZZ	345,00
DZ	IT 3656 DZ PV ZZ	345,00
SZ	IT 3656 SZ PV ZZ	345,00

Gruppo esterno doccia senza set doccia
Wall-mtd. shower mixer without shower set
Mélangeur douche mural sans set de douche
AP-Brause-Einhandbatterie ohne Duschset



ITRTVT101CC



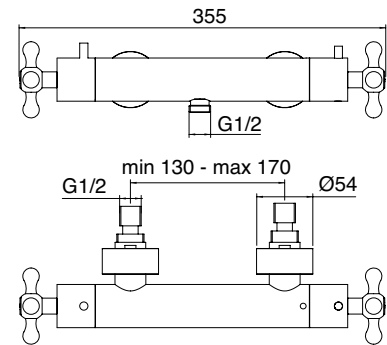
42 l/min



N° 67

CC	IT 3688 CC PV ZZ	450,00
NL	IT 3688 NL PV ZZ	583,00
US	IT 3688 US PV ZZ	692,00
DD	IT 3688 DD PV ZZ	933,00
DZ	IT 3688 DZ PV ZZ	933,00
SZ	IT 3688 SZ PV ZZ	933,00

Termostatico esterno doccia
Wall-mtd. thermostatic mixer
Thermostatique mural
AP-Thermostat



ITRTVT148ZZ



ITRTVT105ZZ



42 l/min



N° 67

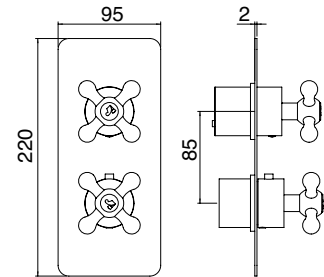
CC	RWIT 8A46 CC 51	277,00
NL	RWIT 8A46 NL 51	388,00
US	RWIT 8A46 US 51	475,00
DD	RWIT 8A46 DD 51	611,00
DZ	RWIT 8A46 DZ 51	611,00
SZ	RWIT 8A46 SZ 51	611,00

RWIT 8A46 ZZ 20 309,00

+ PARTI INCASSO - CONCEALED BODY
CORPS À ENCASTRER - UNTERPUTZTEIL



Termostatico incasso con deviatore 2 uscite
Concealed thermostatic with 2 ways diverter
Thermostatique à encastrer avec inverseur à 2 sorties
UP-Thermostat mit 2 Wege Umsteller



ITRTMT208ZZ



ITRTVT189ZZ



RWIT8A46_21



RWIT22A2_06



21 l/min



2 IN - 2 OUT



N° 12



N° 13



RWIT8A72ZZ90

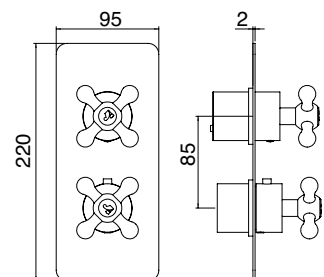
CC	RWIT 8A72 CC 51	322,00
NL	RWIT 8A72 NL 51	451,00
US	RWIT 8A72 US 51	554,00
DD	RWIT 8A72 DD 51	711,00
DZ	RWIT 8A72 DZ 51	711,00
SZ	RWIT 8A72 SZ 51	711,00

RWIT 8A46 ZZ 20 309,00

+ PARTI INCASSO - CONCEALED BODY
CORPS À ENCASTRER - UNTERPUTZTEIL



Termostatico incasso con deviatore 3 uscite
Concealed thermostatic with 3 ways diverter
Thermostatique à encastrer avec inverseur à 3 sorties
UP-Thermostat mit 3 Wege Umsteller



ITRTMT208ZZ



ITRTVT190ZZ



RWIT8A46_21



RWIT22A2_06



21 l/min



2 IN - 3 OUT



N° 12



N° 13



RWIT8A72ZZ90

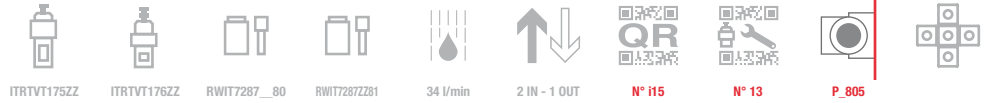
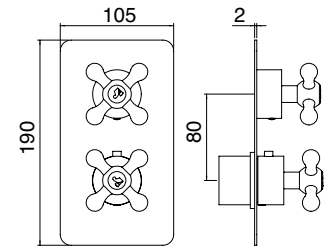
Romantica



CC	RWIT 3687 CC 57	248,00
NL	RWIT 3687 NL 57	347,00
US	RWIT 3687 US 57	426,00
DD	RWIT 3687 DD 57	547,00
DZ	RWIT 3687 DZ 57	547,00
SZ	RWIT 3687 SZ 57	547,00

Termostatico incasso 1 uscita
1 way concealed thermostatic
Thermostatique à encastrer avec 1 sortie
UP-Thermostat mit 1 Weg

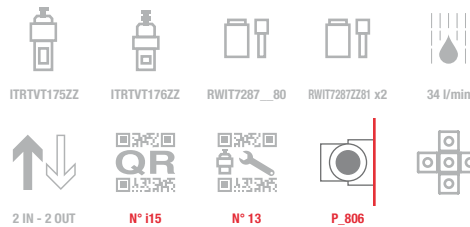
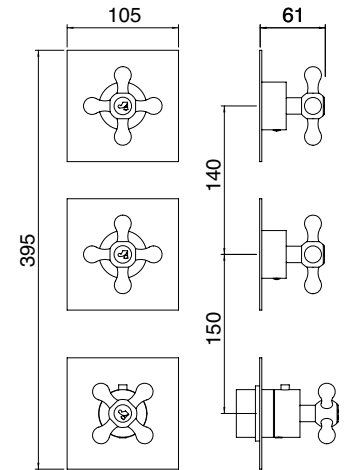
RWIT 7287 ZZ 30 458,00
+ PARTI INCASSO - CONCEALED BODY
CORPS À ENCASTRER - UNTERPUTZTEIL



CC	RWIT 7274 CC 57	438,00
NL	RWIT 7274 NL 57	613,00
US	RWIT 7274 US 57	753,00
DD	RWIT 7274 DD 57	969,00
DZ	RWIT 7274 DZ 57	969,00
SZ	RWIT 7274 SZ 57	969,00

Termostatico incasso 2 uscite
2 ways concealed thermostatic
Thermostatique à encastrer avec 2 sorties
UP-Thermostat mit 2 Wege

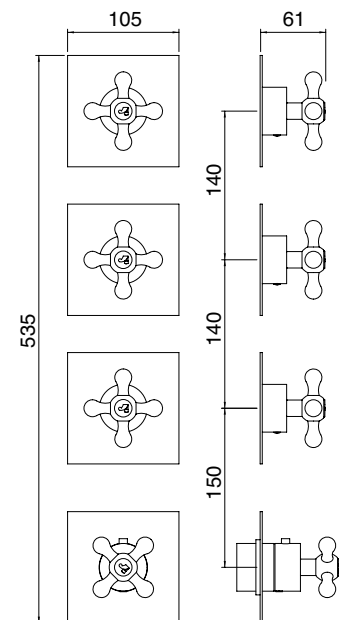
RWIT 7274 ZZ 40 762,00
+ PARTI INCASSO - CONCEALED BODY
CORPS À ENCASTRER - UNTERPUTZTEIL



CC	RWIT 7275 CC 57	567,00
NL	RWIT 7275 NL 57	794,00
US	RWIT 7275 US 57	975,00
DD	RWIT 7275 DD 57	1.253,00
DZ	RWIT 7275 DZ 57	1.253,00
SZ	RWIT 7275 SZ 57	1.253,00

Termostatico incasso 3 uscite
3 ways concealed thermostatic
Thermostatique à encastrer avec 3 sorties
UP-Thermostat mit 3 Wege

RWIT 7275 ZZ 40 937,00
+ PARTI INCASSO - CONCEALED BODY
CORPS À ENCASTRER - UNTERPUTZTEIL

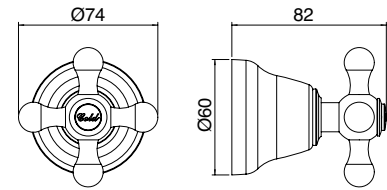


CC	RWIT 3640 CC 86	36,00
NL	RWIT 3640 NL 86	47,00
US	RWIT 3640 US 86	55,00
DD	RWIT 3640 DD 86	74,00
DZ	RWIT 3640 DZ 86	74,00
SZ	RWIT 3640 SZ 86	74,00

RWIT 4440 ZZ 72	38,00
+	PARTI INCASSO - CONCEALED BODY CORPS À ENCASTRER - UNTERPUTZTEIL



Rubinetto d'arresto 1/2" - COLD
1/2" concealed stop valve - COLD
Robinet à encastrer 1/2" - COLD
UP-Ventil 1/2" - COLD

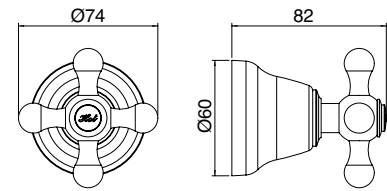


CC	RWIT 3640 CC 87	36,00
NL	RWIT 3640 NL 87	47,00
US	RWIT 3640 US 87	55,00
DD	RWIT 3640 DD 87	74,00
DZ	RWIT 3640 DZ 87	74,00
SZ	RWIT 3640 SZ 87	74,00

RWIT 4440 ZZ 72	38,00
+	PARTI INCASSO - CONCEALED BODY CORPS À ENCASTRER - UNTERPUTZTEIL



Rubinetto d'arresto 1/2" - HOT
1/2" concealed stop valve - HOT
Robinet à encastrer 1/2" - HOT
UP-Ventil 1/2" - HOT

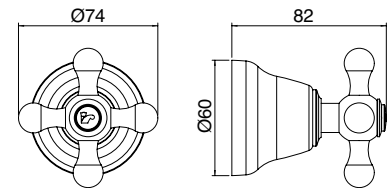


CC	RWIT 3662 CC 02	45,00
NL	RWIT 3662 NL 02	58,00
US	RWIT 3662 US 02	68,00
DD	RWIT 3662 DD 02	92,00
DZ	RWIT 3662 DZ 02	92,00
SZ	RWIT 3662 SZ 02	92,00

RWIT 4462 ZZ 72	67,00
+	PARTI INCASSO - CONCEALED BODY CORPS À ENCASTRER - UNTERPUTZTEIL



Deviatore incasso 2 uscite
2 ways concealed diverter
Inverseur à encastrer à 2 sorties
2 Wege UP- Umsteller

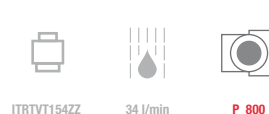
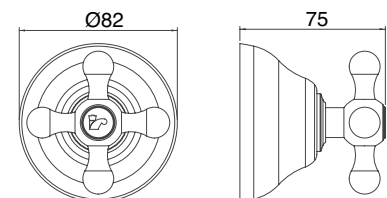


CC	RWIT 3665 CC 04	49,00
NL	RWIT 3665 NL 04	62,00
US	RWIT 3665 US 04	74,00
DD	RWIT 3665 DD 04	98,00
DZ	RWIT 3665 DZ 04	98,00
SZ	RWIT 3665 SZ 04	98,00

RWIT 4465 ZZ 72	140,00
+	PARTI INCASSO - CONCEALED BODY CORPS À ENCASTRER - UNTERPUTZTEIL



Deviatore incasso 3 uscite
3 ways concealed diverter
Inverseur à encastrer à 3 sorties
3 Wege UP- Umsteller

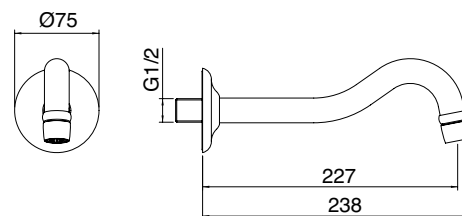


Romantica



CC	IT 2163 CC ZZ HF	79,00
NL	IT 2163 NL ZZ HF	101,00
US	IT 2163 US ZZ HF	120,00
DD	IT 2163 DD ZZ HF	161,00
DZ	IT 2163 DZ ZZ HF	161,00
SZ	IT 2163 SZ ZZ HF	161,00

Bocca a muro per vasca 227
Wall-mtd. spout for bathrub 227
Bec mural pour baignoire 227
Wandauslauf für Badewannen 227



ITRTAE101_

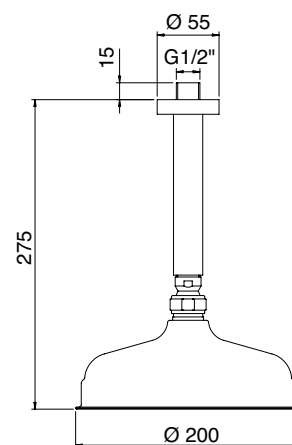


38 l/min



CC	IT 0452 CC ZZ ZZ	237,00
NL	IT 0452 NL ZZ ZZ	308,00
US	IT 0452 US ZZ ZZ	365,00
DD	IT 0452 DD ZZ ZZ	493,00
DZ	IT 0452 DZ ZZ ZZ	493,00
SZ	IT 0452 SZ ZZ ZZ	493,00

Soffione a soffitto anticalcare
Ceiling anti-limescale shower-head
Douche de tête anticalcaire avec bras au plafond
Antikalk Regenbrause mit Deckenanbindung



METAL 200 mm

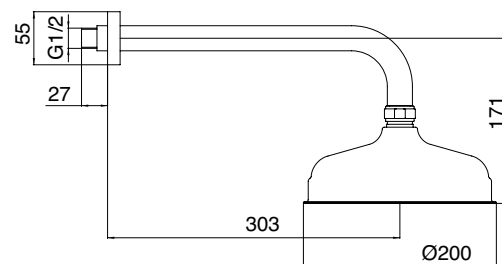


9 l/min



CC	IT 0495 CC ZZ ZZ	258,00
NL	IT 0495 NL ZZ ZZ	334,00
US	IT 0495 US ZZ ZZ	396,00
DD	IT 0495 DD ZZ ZZ	535,00
DZ	IT 0495 DZ ZZ ZZ	535,00
SZ	IT 0495 SZ ZZ ZZ	535,00

Soffione a parete anticalcare
Anti-limescale shower-head
Douche de tête anticalcaire avec bras mural
Antikalk Kopfbrause mit Arm



METAL 200 mm



9 l/min



CC	RWIT 3667 CC 01	223,00
NL	RWIT 3667 NL 01	290,00
US	RWIT 3667 US 01	342,00
DD	RWIT 3667 DD 01	463,00
DZ	RWIT 3667 DZ 01	463,00
SZ	RWIT 3667 SZ 01	463,00

Kit saliscendi senza presa acqua
 Sliding-bar kit without wall hose outlet
 Barre coulissante sans coude mural
 Gleitstange ohne Wandanschlussbogen



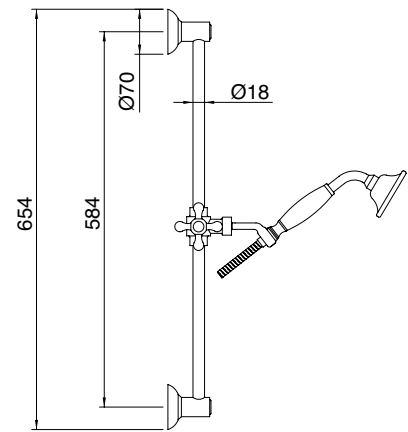
1,5 M



METAL



8 l/min



CC	IT RTGA 123 CC	25,00
NL	IT RTGA 123 NL	49,00
US	IT RTGA 123 US	27,00
DD	IT RTGA 123 DD	34,00
DZ	IT RTGA 123 DZ	38,00
SZ	IT RTGA 123 SZ	38,00

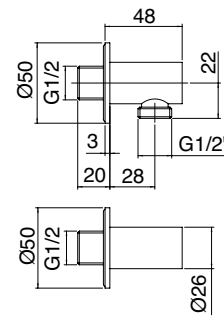
Presa acqua a muro
 Wall hose outlet
 Coude mural
 Wandanschlussbogen



1/2 M



1/2 M



Retrò - Spare parts - Accessories



CC	IT RTBR 124 CC	112,00
NL	IT RTBR 124 NL	146,00
US	IT RTBR 124 US	171,00
DD	IT RTBR 124 DD	231,00
DZ	IT RTBR 124 DZ	231,00
SZ	IT RTBR 124 SZ	231,00

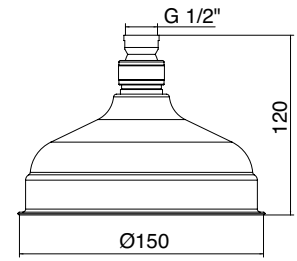
Soffione Ø150
Shower-head Ø150
Douche Ø150
Regenbrause Ø150



METAL 150 mm



9 l/min



CC	IT RTBR 122 CC	194,00
NL	IT RTBR 122 NL	253,00
US	IT RTBR 122 US	298,00
DD	IT RTBR 122 DD	402,00
DZ	IT RTBR 122 DZ	402,00
SZ	IT RTBR 122 SZ	402,00

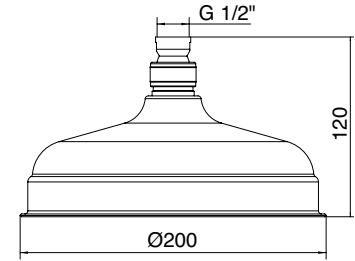
Soffione Ø200
Shower-head Ø200
Douche Ø200
Regenbrause Ø200



METAL 200 mm



9 l/min



CC	IT RTBR 123 CC	385,00
NL	IT RTBR 123 NL	500,00
US	IT RTBR 123 US	592,00
DD	IT RTBR 123 DD	799,00
DZ	IT RTBR 123 DZ	799,00
SZ	IT RTBR 123 SZ	799,00

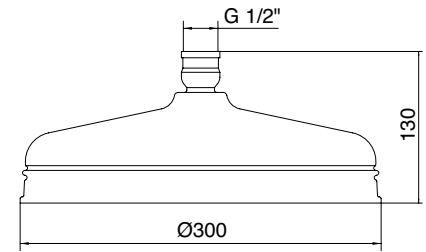
Soffione Ø300
Shower-head Ø300
Douche Ø300
Regenbrause Ø300



METAL 300 mm



9 l/min

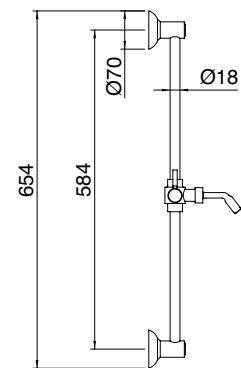


Per bracci doccia vedi sezione SHOWERS & THERMOSTATICS
For shower arms check the SHOWERS & THERMOSTATICS section
Pour bras de douche voir section SHOWERS & THERMOSTATICS
Für brausearms siehe abschnitt SHOWERS & THERMOSTATICS



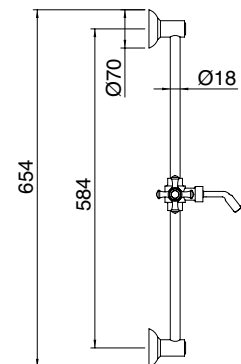
CC	RWIT 2106 CC 07	182,00
NL	RWIT 2106 NL 07	234,00
US	RWIT 2106 US 07	278,00
DD	RWIT 2106 DD 07	374,00
DZ	RWIT 2106 DZ 07	374,00
SZ	RWIT 2106 SZ 07	374,00

Asta saliscendi
Sliding-bar
Barre coulissante
Gleitstange



CC	RWIT 4467 CC 05	190,00
NL	RWIT 4467 NL 05	246,00
US	RWIT 4467 US 05	292,00
DD	RWIT 4467 DD 05	394,00
DZ	RWIT 4467 DZ 05	394,00
SZ	RWIT 4467 SZ 05	394,00

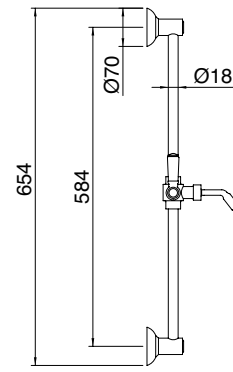
Asta saliscendi
Sliding-bar
Barre coulissante
Gleitstange



Retrò - Spare parts - Accessories

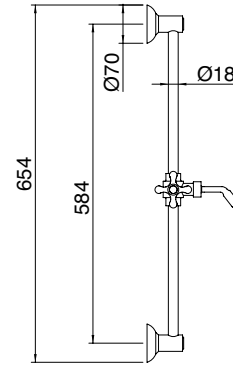
CC	RWIT 4467 CC 06	203,00
NL	RWIT 4467 NL 06	264,00
US	RWIT 4467 US 06	312,00
DD	RWIT 4467 DD 06	421,00
DZ	RWIT 4467 DZ 06	421,00
SZ	RWIT 4467 SZ 06	421,00

Asta saliscendi
Sliding-bar
Barre coulissante
Gleitstange



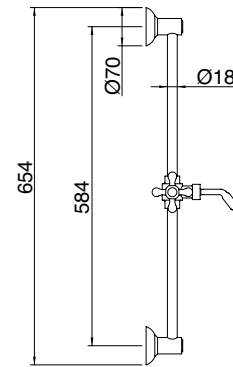
CC	RWIT 4167 CC 02	185,00
NL	RWIT 4167 NL 02	238,00
US	RWIT 4167 US 02	283,00
DD	RWIT 4167 DD 02	382,00
DZ	RWIT 4167 DZ 02	382,00
SZ	RWIT 4167 SZ 02	382,00

Asta saliscendi
Sliding-bar
Barre coulissante
Gleitstange



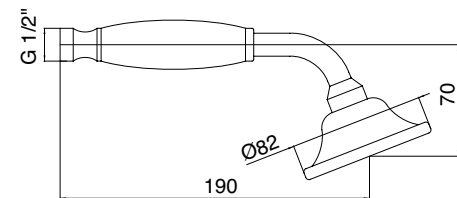
CC	RWIT 3667 CC 03	185,00
NL	RWIT 3667 NL 03	238,00
US	RWIT 3667 US 03	283,00
DD	RWIT 3667 DD 03	382,00
DZ	RWIT 3667 DZ 03	382,00
SZ	RWIT 3667 SZ 03	382,00

Asta saliscendi
Sliding-bar
Barre coulissante
Gleitstange



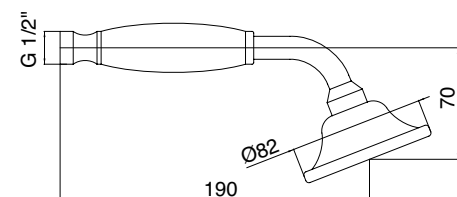
CC	RWIT 2106 CC 30	36,00
NL	RWIT 2106 NL 30	47,00
US	RWIT 2106 US 30	55,00
DD	RWIT 2106 DD 30	74,00
DZ	RWIT 2106 DZ 30	74,00
SZ	RWIT 2106 SZ 30	74,00

Doccetta anticalcare
Anti-limescale hand-shower
Douchette anticalcaire
Antikalk Handbrause



CC	IT RTDO 124 CC	42,00
NL	IT RTDO 124 NL	54,00
US	IT RTDO 124 US	63,00
DD	IT RTDO 124 DD	85,00
DZ	IT RTDO 124 DZ	85,00
SZ	IT RTDO 124 SZ	85,00

Doccetta anticalcare
Anti-limescale hand-shower
Douchette anticalcaire
Antikalk Handbrause



X-CHANGE

ELECTRONIC

SHOWERS &
THERMOSTATICS

PICCADILLY

OLD ITALY

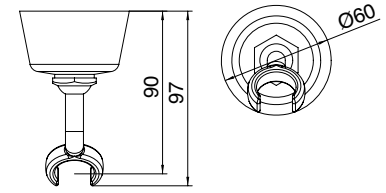
ROMANTICA

Retrò - Spare parts - Accessories



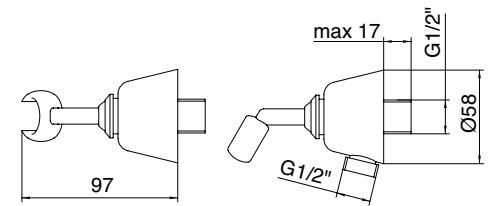
CC	IT RTGA 101 CC	27,00
NL	IT RTGA 101 NL	34,00
US	IT RTGA 101 US	42,00
DD	IT RTGA 101 DD	55,00
DZ	IT RTGA 101 DZ	55,00
SZ	IT RTGA 101 SZ	55,00

Gancio con snodo
Adjustable hand-shower hook
Support pour douchette réglable
Regulierbare Brausehalter



CC	IT RTGA 102 CC	31,00
NL	IT RTGA 102 NL	41,00
US	IT RTGA 102 US	48,00
DD	IT RTGA 102 DD	63,00
DZ	IT RTGA 102 DZ	63,00
SZ	IT RTGA 102 SZ	63,00

Presa acqua con gancio snodato
Adjustable hand-shower hook with wall hose outlet
Support pour douchette réglable avec coude mural
Regulierbare Brausehalter mit Wandanschlussbogen

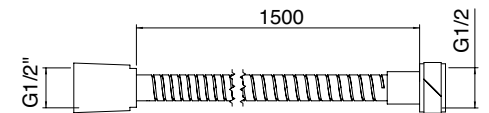


1/2 M 1/2 M



CC	IT RTFL 215 CC	23,00
NL	IT RTFL 215 NL	48,00
US	IT RTFL 215 US	48,00
DD	IT RTFL 215 DD	66,00
DZ	IT RTFL 215 DZ	66,00
SZ	IT RTFL 215 SZ	66,00

Flessibile 1,5 m
1,5 m. flexible hose
Flexible 1,5 m
Brauseschlauch m 1,5



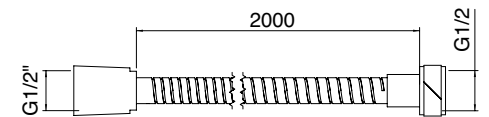
FLEX

1,5 M



CC	IT RTFL 207 CC	26,00
NL	IT RTFL 207 NL	57,00
US	IT RTFL 207 US	57,00
DD	IT RTFL 207 DD	76,00
DZ	IT RTFL 207 DZ	76,00
SZ	IT RTFL 207 SZ	76,00

Flessibile 2 m
2 m. flexible hose
Flexible 2 m
Brauseschlauch m 2



FLEX

2 M

Bath Accessories

design by Phicubo - Alessandra Bertini _ Gianluca Belli / treemme

- chrome **CC**
- matt black **NN**
- matt white **BB**
- polished nickel **NL**
- brushed nickel **NF**
- polished black chrome **HH**
- brushed black chrome **CZ**
- brushed bronze **US**
- brushed brass **UZ**
- oxidized **KK**
- gold **DD**
- brushed gold **DZ**
- brushed rose gold **SZ**

X-CHANGE

ELECTRONIC

SHOWERS &
THERMOSTATICS

PICCADILLY

OLD ITALY

ROMANTICA

BATH ACCESSORIES



NN
matt black

BB
matt white

CC
chrome

NL
polished nickel

NF
brushed nickel

HH
polished black
chrome



CZ
brushed black
chrome

US
brushed bronze

KK
oxidized

DD
gold 24

DZ
brushed gold

SZ
brushed rose gold

X-CHANGE

ELECTRONIC

SHOWERS &
THERMOSTATICS

PICCADILLY

OLD ITALY

ROMANTICA

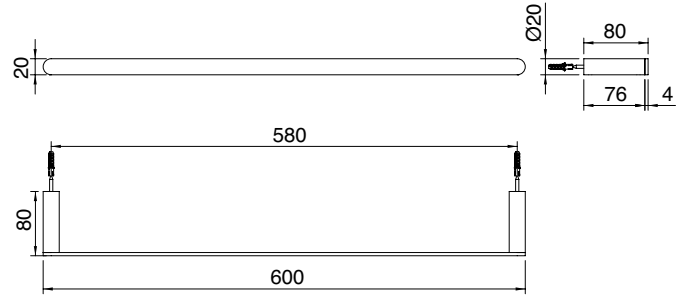
BATH ACCESSORIES



Bath Accessories _ TAG# Tonda

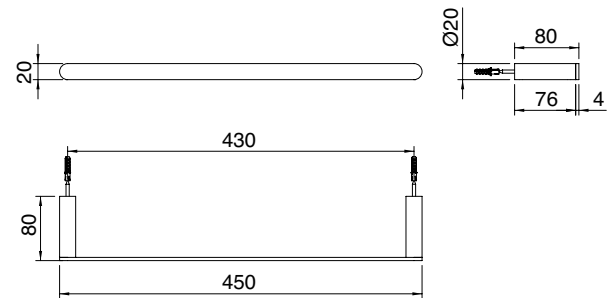
CC	IT 2Z05 CC ZZ ZZ	150,00
NN	IT 2Z05 NN ZZ ZZ	199,00
BB	IT 2Z05 BB ZZ ZZ	199,00
NL	IT 2Z05 NL ZZ ZZ	195,00
NF	IT 2Z05 NF ZZ ZZ	195,00
HH	IT 2Z05 HH ZZ ZZ	230,00
CZ	IT 2Z05 CZ ZZ ZZ	230,00
US	IT 2Z05 US ZZ ZZ	230,00
UZ	IT 2Z05 UZ ZZ ZZ	230,00
KK	IT 2Z05 KK ZZ ZZ	230,00
DD	IT 2Z05 DD ZZ ZZ	310,00
DZ	IT 2Z05 DZ ZZ ZZ	310,00
SZ	IT 2Z05 SZ ZZ ZZ	310,00

Portasalviette 60 cm
60 cm single towel holder
Porte serviette 60 cm
Handtuchstange 60 cm



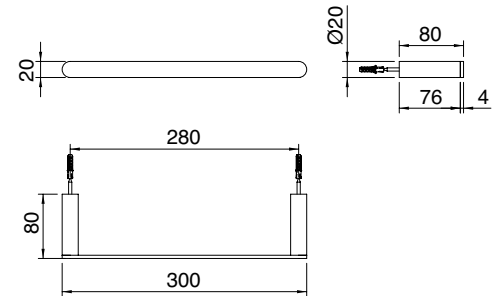
CC	IT 2Z06 CC ZZ ZZ	130,00
NN	IT 2Z06 NN ZZ ZZ	173,00
BB	IT 2Z06 BB ZZ ZZ	173,00
NL	IT 2Z06 NL ZZ ZZ	170,00
NF	IT 2Z06 NF ZZ ZZ	170,00
HH	IT 2Z06 HH ZZ ZZ	200,00
CZ	IT 2Z06 CZ ZZ ZZ	200,00
US	IT 2Z06 US ZZ ZZ	200,00
UZ	IT 2Z06 UZ ZZ ZZ	200,00
KK	IT 2Z06 KK ZZ ZZ	200,00
DD	IT 2Z06 DD ZZ ZZ	269,00
DZ	IT 2Z06 DZ ZZ ZZ	269,00
SZ	IT 2Z06 SZ ZZ ZZ	269,00

Portasalviette 45 cm
45 cm single towel holder
Porte serviette 45 cm
Handtuchstange 45 cm



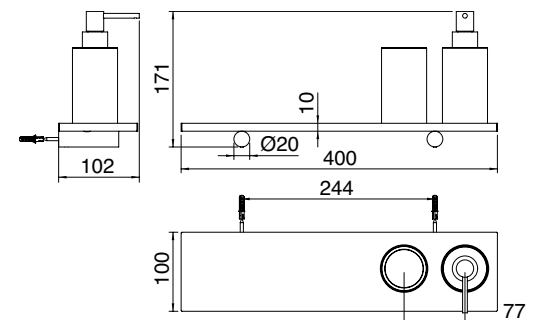
CC	IT 2Z24 CC ZZ ZZ	125,00
NN	IT 2Z24 NN ZZ ZZ	167,00
BB	IT 2Z24 BB ZZ ZZ	167,00
NL	IT 2Z24 NL ZZ ZZ	163,00
NF	IT 2Z24 NF ZZ ZZ	163,00
HH	IT 2Z24 HH ZZ ZZ	194,00
CZ	IT 2Z24 CZ ZZ ZZ	194,00
US	IT 2Z24 US ZZ ZZ	194,00
UZ	IT 2Z24 UZ ZZ ZZ	194,00
KK	IT 2Z24 KK ZZ ZZ	194,00
DD	IT 2Z24 DD ZZ ZZ	261,00
DZ	IT 2Z24 DZ ZZ ZZ	261,00
SZ	IT 2Z24 SZ ZZ ZZ	261,00

Portasalviette 30 cm
30 cm single towel holder
Porte serviette 30 cm
Handtuchstange 30 cm



CC	IT 2Z73 CC ZZ ZZ	432,00
NN	IT 2Z73 NN ZZ ZZ	496,00
BB	IT 2Z73 BB ZZ ZZ	496,00
NL	IT 2Z73 NL ZZ ZZ	489,00
NF	IT 2Z73 NF ZZ ZZ	489,00
HH	IT 2Z73 HH ZZ ZZ	534,00
CZ	IT 2Z73 CZ ZZ ZZ	534,00
US	IT 2Z73 US ZZ ZZ	534,00
UZ	IT 2Z73 UZ ZZ ZZ	534,00
KK	IT 2Z73 KK ZZ ZZ	534,00
DD	IT 2Z73 DD ZZ ZZ	637,00
DZ	IT 2Z73 DZ ZZ ZZ	637,00
SZ	IT 2Z73 SZ ZZ ZZ	637,00

Portadosatore, portabicchiere e portaoggetti
Liquid soap dispenser, glass holder and shelf
Distributeur de savon liquide, verre et tablette
Seifenspender, glashalter und Halt



RZIT1 Z33BB02 RWIT1240_01

X-CHANGE

ELECTRONIC

SHOWERS & THERMOSTATICS

PICCADILLY

OLD ITALY

ROMANTICA

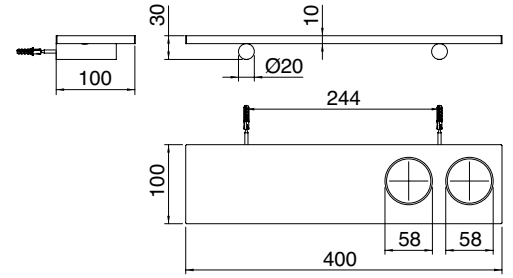
BATH ACCESSORIES

Bath Accessories _ TAG# Tonda



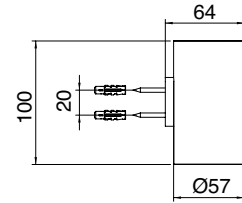
CC	IT 2Z16 CC ZZ ZZ	216,00
NN	IT 2Z16 NN ZZ ZZ	248,00
BB	IT 2Z16 BB ZZ ZZ	248,00
NL	IT 2Z16 NL ZZ ZZ	244,00
NF	IT 2Z16 NF ZZ ZZ	244,00
HH	IT 2Z16 HH ZZ ZZ	266,00
CZ	IT 2Z16 CZ ZZ ZZ	266,00
US	IT 2Z16 US ZZ ZZ	266,00
UZ	IT 2Z16 UZ ZZ ZZ	266,00
KK	IT 2Z16 KK ZZ ZZ	266,00
DD	IT 2Z16 DD ZZ ZZ	317,00
DZ	IT 2Z16 DZ ZZ ZZ	317,00
SZ	IT 2Z16 SZ ZZ ZZ	317,00

Mensola 40 cm
40 cm bathroom shelf
Tablette 40 cm
Regal 40 cm



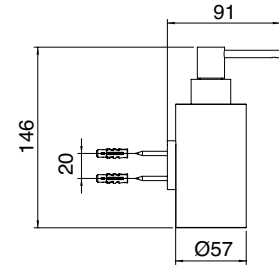
BB IT 1Z04 BB ZZ 10 109,00

Bicchiera da muro
Wall-mounted glass
Verre mural
Glashalter



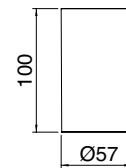
CC	IT 1Z41 CC ZZ ZZ	185,00
NN	IT 1Z41 NN ZZ ZZ	218,00
BB	IT 1Z41 BB ZZ ZZ	218,00
NL	IT 1Z41 NL ZZ ZZ	215,00
NF	IT 1Z41 NF ZZ ZZ	215,00
HH	IT 1Z41 HH ZZ ZZ	238,00
CZ	IT 1Z41 CZ ZZ ZZ	238,00
US	IT 1Z41 US ZZ ZZ	238,00
UZ	IT 1Z41 UZ ZZ ZZ	238,00
KK	IT 1Z41 KK ZZ ZZ	238,00
DD	IT 1Z41 DD ZZ ZZ	290,00
DZ	IT 1Z41 DZ ZZ ZZ	290,00
SZ	IT 1Z41 SZ ZZ ZZ	290,00

Dosatore sapone liquido da muro
Liquid soap dispenser
Distributeur de savon liquide
Seifenspender



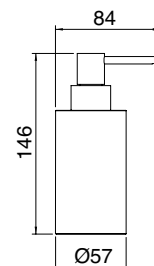
BB RZIT 1Z33 BB 02 65,00

Bicchiera da appoggio
Free-standing holder
Verre à poser
Becherständer



CC	RWIT 1Z40 CC 01	150,00
NN	RWIT 1Z40 NN 01	182,00
BB	RWIT 1Z40 BB 01	182,00
NL	RWIT 1Z40 NL 01	179,00
NF	RWIT 1Z40 NF 01	179,00
HH	RWIT 1Z40 HH 01	202,00
CZ	RWIT 1Z40 CZ 01	202,00
US	RWIT 1Z40 US 01	202,00
UZ	RWIT 1Z40 UZ 01	202,00
KK	RWIT 1Z40 KK 01	202,00
DD	RWIT 1Z40 DD 01	255,00
DZ	RWIT 1Z40 DZ 01	255,00
SZ	RWIT 1Z40 SZ 01	255,00

Dosatore sapone liquido da appoggio
Free-standing liquid soap dispenser
Distributeur de savon liquide à poser
Seifenspender





Art. IT 2Z73 KK ZZ ZZ - TAG# TONDA

X-CHANGE

ELECTRONIC

SHOWERS &
THERMOSTATICS

PICCADILLY

OLD ITALY

ROMANTICA

BATH ACCESSORIES

Bath Accessories _ TAG# Tonda

X-CHANGE

ELECTRONIC

SHOWERS & THERMOSTATICS

PICCADILLY

OLD ITALY

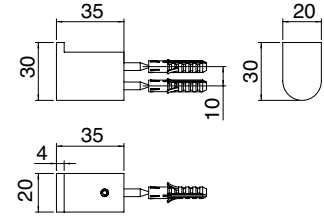
ROMANTICA

BATH ACCESSORIES



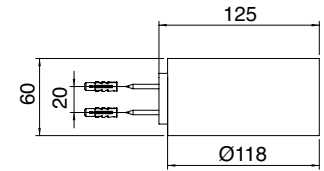
CC	IT 2Z11 CC ZZ ZZ	77,00
NN	IT 2Z11 NN ZZ ZZ	103,00
BB	IT 2Z11 BB ZZ ZZ	103,00
NL	IT 2Z11 NL ZZ ZZ	100,00
NF	IT 2Z11 NF ZZ ZZ	100,00
HH	IT 2Z11 HH ZZ ZZ	119,00
CZ	IT 2Z11 CZ ZZ ZZ	119,00
US	IT 2Z11 US ZZ ZZ	119,00
UZ	IT 2Z11 UZ ZZ ZZ	119,00
KK	IT 2Z11 KK ZZ ZZ	119,00
DD	IT 2Z11 DD ZZ ZZ	160,00
DZ	IT 2Z11 DZ ZZ ZZ	160,00
SZ	IT 2Z11 SZ ZZ ZZ	160,00

Porta abiti
Robe hook
Porte manteau
Kleiderhaken



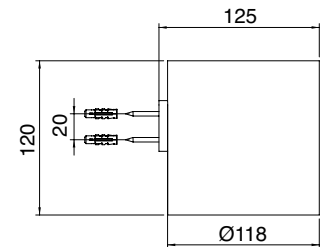
BB IT 1Z04 BB ZZ 06 160,00

Cestino doccia basso
Wall-mounted shower basket
Verre de douche mural
Niedrige Duschkorb



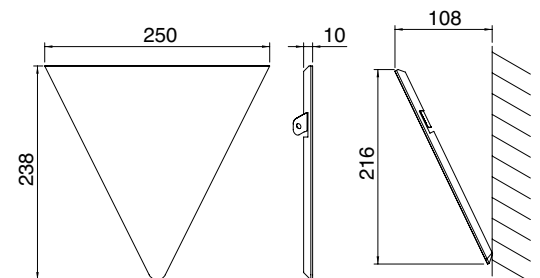
BB IT 1Z04 BB ZZ 12 190,00

Cestino doccia alto
Wall-mounted shower basket
Verre de douche mural
Hohen Duschkorb

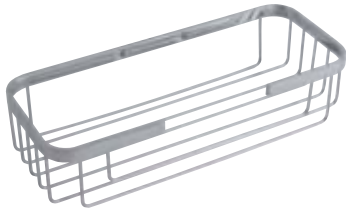


BB IT 1Z36 BB ZZ ZZ 224,00

Angolare doccia
Corner sponge holder
Porte éponge coin
Schwammhalter

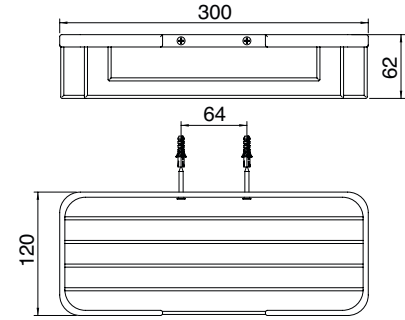


Bath Accessories _ TAG# Tonda



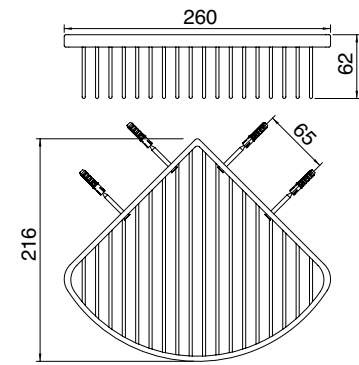
CC	IT 3Z02 CC ZZ ZZ	135,00
NN	IT 3Z02 NN ZZ ZZ	180,00
BB	IT 3Z02 BB ZZ ZZ	180,00
NL	IT 3Z02 NL ZZ ZZ	176,00
NF	IT 3Z02 NF ZZ ZZ	176,00
HH	IT 3Z02 HH ZZ ZZ	208,00
CZ	IT 3Z02 CZ ZZ ZZ	208,00
US	IT 3Z02 US ZZ ZZ	208,00
UZ	IT 3Z02 UZ ZZ ZZ	208,00
KK	IT 3Z02 KK ZZ ZZ	208,00
DD	IT 3Z02 DD ZZ ZZ	281,00
DZ	IT 3Z02 DZ ZZ ZZ	281,00
SZ	IT 3Z02 SZ ZZ ZZ	281,00

Griglia portaspugna
Sponge basket
Porte éponge
Schwammhalter



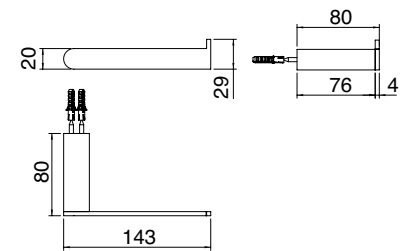
CC	IT 3Z36 CC ZZ ZZ	125,00
NN	IT 3Z36 NN ZZ ZZ	167,00
BB	IT 3Z36 BB ZZ ZZ	167,00
NL	IT 3Z36 NL ZZ ZZ	162,00
NF	IT 3Z36 NF ZZ ZZ	162,00
HH	IT 3Z36 HH ZZ ZZ	192,00
CZ	IT 3Z36 CZ ZZ ZZ	192,00
US	IT 3Z36 US ZZ ZZ	192,00
UZ	IT 3Z36 UZ ZZ ZZ	192,00
KK	IT 3Z36 KK ZZ ZZ	192,00
DD	IT 3Z36 DD ZZ ZZ	260,00
DZ	IT 3Z36 DZ ZZ ZZ	260,00
SZ	IT 3Z36 SZ ZZ ZZ	260,00

Griglia portaspugna angolare
Corner sponge basket
Porte éponge coin
Schwammhalter



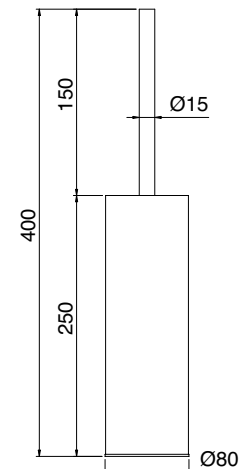
CC	IT 2Z01 CC ZZ ZZ	128,00
NN	IT 2Z01 NN ZZ ZZ	171,00
BB	IT 2Z01 BB ZZ ZZ	171,00
NL	IT 2Z01 NL ZZ ZZ	166,00
NF	IT 2Z01 NF ZZ ZZ	166,00
HH	IT 2Z01 HH ZZ ZZ	197,00
CZ	IT 2Z01 CZ ZZ ZZ	197,00
US	IT 2Z01 US ZZ ZZ	197,00
UZ	IT 2Z01 UZ ZZ ZZ	197,00
KK	IT 2Z01 KK ZZ ZZ	197,00
DD	IT 2Z01 DD ZZ ZZ	265,00
DZ	IT 2Z01 DZ ZZ ZZ	265,00
SZ	IT 2Z01 SZ ZZ ZZ	265,00

Portacarta
Toilet roll holder
Porte papier
Rollenhalter



CC	IT 2Z07 CC ZZ ZZ	130,00
NN	IT 2Z07 NN ZZ ZZ	173,00
BB	IT 2Z07 BB ZZ ZZ	173,00
NL	IT 2Z07 NL ZZ ZZ	170,00
NF	IT 2Z07 NF ZZ ZZ	170,00
HH	IT 2Z07 HH ZZ ZZ	200,00
CZ	IT 2Z07 CZ ZZ ZZ	200,00
US	IT 2Z07 US ZZ ZZ	200,00
UZ	IT 2Z07 UZ ZZ ZZ	200,00
KK	IT 2Z07 KK ZZ ZZ	200,00
DD	IT 2Z07 DD ZZ ZZ	269,00
DZ	IT 2Z07 DZ ZZ ZZ	269,00
SZ	IT 2Z07 SZ ZZ ZZ	269,00

Portascopino
Brush holder
Porte balai
Bürstenhalter



X-CHANGE

ELECTRONIC

SHOWERS & THERMOSTATICS

PICCADILLY

OLD ITALY

ROMANTICA

BATH ACCESSORIES

X-CHANGE

ELECTRONIC

SHOWERS &
THERMOSTATICS

PICCADILLY

OLD ITALY

ROMANTICA

BATH ACCESSORIES

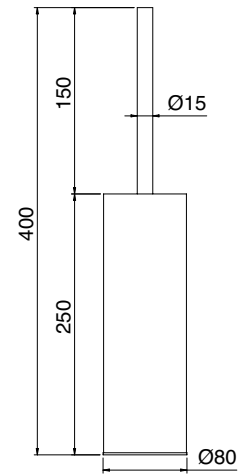


Bath Accessories _ TAG# Tonda



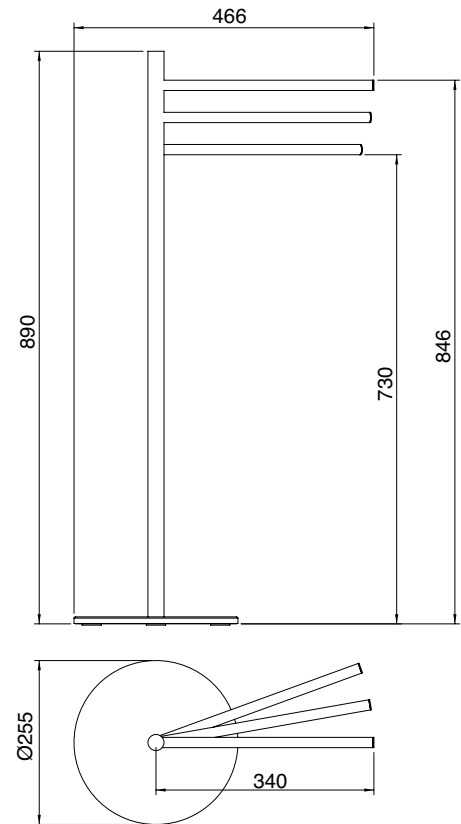
CC	IT 2Z13 CC ZZ ZZ	140,00
NN	IT 2Z13 NN ZZ ZZ	185,00
BB	IT 2Z13 BB ZZ ZZ	185,00
NL	IT 2Z13 NL ZZ ZZ	182,00
NF	IT 2Z13 NF ZZ ZZ	182,00
HH	IT 2Z13 HH ZZ ZZ	215,00
CZ	IT 2Z13 CZ ZZ ZZ	215,00
US	IT 2Z13 US ZZ ZZ	215,00
UZ	IT 2Z13 UZ ZZ ZZ	215,00
KK	IT 2Z13 KK ZZ ZZ	215,00
DD	IT 2Z13 DD ZZ ZZ	290,00
DZ	IT 2Z13 DZ ZZ ZZ	290,00
SZ	IT 2Z13 SZ ZZ ZZ	290,00

Portascopino a muro
Wall mounted toilet brush holder
Porte balai mural
Bürstenhalter Wandmontage



CC	IT 2Z17 CC ZZ ZZ	408,00
NN	IT 2Z17 NN ZZ ZZ	543,00
BB	IT 2Z17 BB ZZ ZZ	543,00
NL	IT 2Z17 NL ZZ ZZ	531,00
NF	IT 2Z17 NF ZZ ZZ	531,00
HH	IT 2Z17 HH ZZ ZZ	628,00
CZ	IT 2Z17 CZ ZZ ZZ	628,00
US	IT 2Z17 US ZZ ZZ	628,00
UZ	IT 2Z17 UZ ZZ ZZ	628,00
KK	IT 2Z17 KK ZZ ZZ	628,00
DD	IT 2Z17 DD ZZ ZZ	849,00
DZ	IT 2Z17 DZ ZZ ZZ	849,00
SZ	IT 2Z17 SZ ZZ ZZ	849,00

Piantana semplice a terra
Floor standing towel holder
Porte serviette vertical
Handtuchständer



X-CHANGE

ELECTRONIC

SHOWERS &
THERMOSTATICS

PICCADILLY

OLD ITALY

ROMANTICA

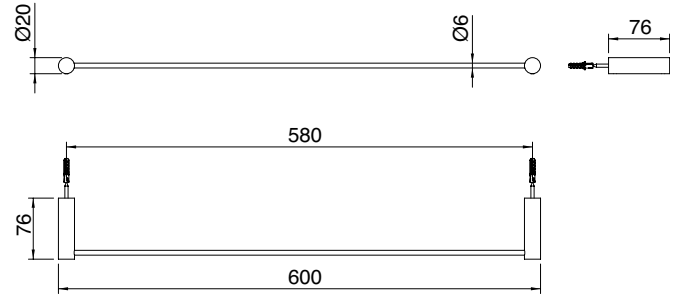
BATH ACCESSORIES

Bath Accessories _ TAG# Filo



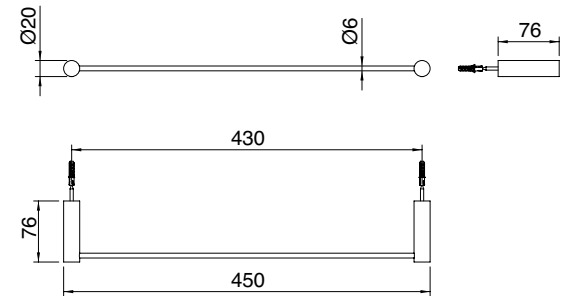
CC	IT 3Z05 CC ZZ ZZ	105,00
NN	IT 3Z05 NN ZZ ZZ	141,00
BB	IT 3Z05 BB ZZ ZZ	141,00
NL	IT 3Z05 NL ZZ ZZ	137,00
NF	IT 3Z05 NF ZZ ZZ	137,00
HH	IT 3Z05 HH ZZ ZZ	162,00
CZ	IT 3Z05 CZ ZZ ZZ	162,00
US	IT 3Z05 US ZZ ZZ	162,00
UZ	IT 3Z05 UZ ZZ ZZ	162,00
KK	IT 3Z05 KK ZZ ZZ	162,00
DD	IT 3Z05 DD ZZ ZZ	219,00
DZ	IT 3Z05 DZ ZZ ZZ	219,00
SZ	IT 3Z05 SZ ZZ ZZ	219,00

Portasalvietta 60 cm
60 cm single towel holder
Porte serviette 60 cm
Handtuchstange 60 cm



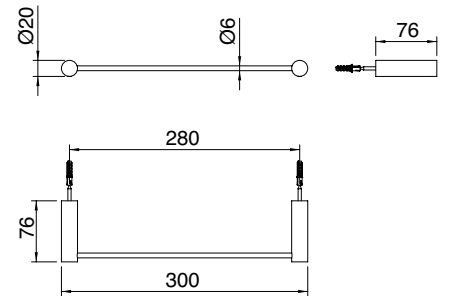
CC	IT 3Z06 CC ZZ ZZ	101,00
NN	IT 3Z06 NN ZZ ZZ	135,00
BB	IT 3Z06 BB ZZ ZZ	135,00
NL	IT 3Z06 NL ZZ ZZ	132,00
NF	IT 3Z06 NF ZZ ZZ	132,00
HH	IT 3Z06 HH ZZ ZZ	156,00
CZ	IT 3Z06 CZ ZZ ZZ	156,00
US	IT 3Z06 US ZZ ZZ	156,00
UZ	IT 3Z06 UZ ZZ ZZ	156,00
KK	IT 3Z06 KK ZZ ZZ	156,00
DD	IT 3Z06 DD ZZ ZZ	210,00
DZ	IT 3Z06 DZ ZZ ZZ	210,00
SZ	IT 3Z06 SZ ZZ ZZ	210,00

Portasalvietta 45 cm
45 cm single towel holder
Porte serviette 45 cm
Handtuchstange 45 cm



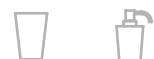
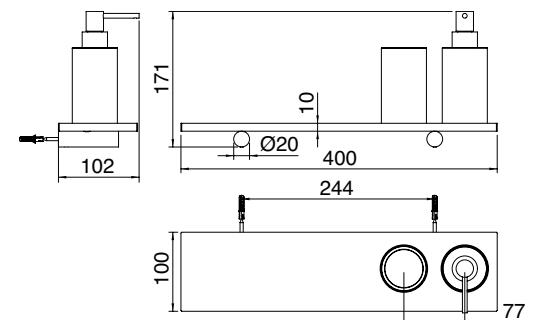
CC	IT 3Z24 CC ZZ ZZ	97,00
NN	IT 3Z24 NN ZZ ZZ	130,00
BB	IT 3Z24 BB ZZ ZZ	130,00
NL	IT 3Z24 NL ZZ ZZ	126,00
NF	IT 3Z24 NF ZZ ZZ	126,00
HH	IT 3Z24 HH ZZ ZZ	150,00
CZ	IT 3Z24 CZ ZZ ZZ	150,00
US	IT 3Z24 US ZZ ZZ	150,00
UZ	IT 3Z24 UZ ZZ ZZ	150,00
KK	IT 3Z24 KK ZZ ZZ	150,00
DD	IT 3Z24 DD ZZ ZZ	202,00
DZ	IT 3Z24 DZ ZZ ZZ	202,00
SZ	IT 3Z24 SZ ZZ ZZ	202,00

Portasalvietta 30 cm
30 cm single towel holder
Porte serviette 30 cm
Handtuchstange 30 cm



CC	IT 2Z73 CC ZZ ZZ	432,00
NN	IT 2Z73 NN ZZ ZZ	496,00
BB	IT 2Z73 BB ZZ ZZ	496,00
NL	IT 2Z73 NL ZZ ZZ	489,00
NF	IT 2Z73 NF ZZ ZZ	489,00
HH	IT 2Z73 HH ZZ ZZ	534,00
CZ	IT 2Z73 CZ ZZ ZZ	534,00
US	IT 2Z73 US ZZ ZZ	534,00
UZ	IT 2Z73 UZ ZZ ZZ	534,00
KK	IT 2Z73 KK ZZ ZZ	534,00
DD	IT 2Z73 DD ZZ ZZ	637,00
DZ	IT 2Z73 DZ ZZ ZZ	637,00
SZ	IT 2Z73 SZ ZZ ZZ	637,00

Portadosatore, portabicchiere e portaoggetti
Liquid soap dispenser, glass holder and shelf
Distributeur de savon liquide, verre et tablette
Seifenspender, glashalter und Halt





X-CHANGE

ELECTRONIC

SHOWERS &
THERMOSTATICS

PICCADILLY

OLD ITALY

ROMANTICA

BATH ACCESSORIES

X-CHANGE

ELECTRONIC

SHOWERS &
THERMOSTATICS

PICCADILLY

OLD ITALY

ROMANTICA

BATH ACCESSORIES

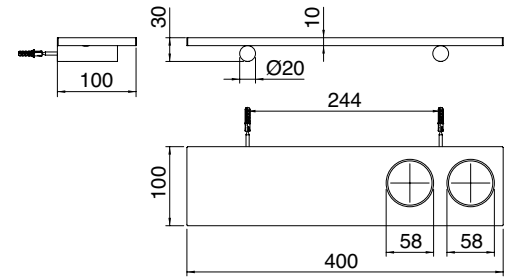


Bath Accessories _ TAG# Filo



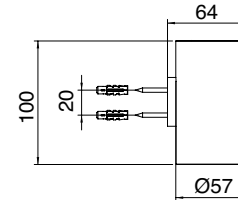
CC	IT 2Z16 CC ZZ ZZ	216,00
NN	IT 2Z16 NN ZZ ZZ	248,00
BB	IT 2Z16 BB ZZ ZZ	248,00
NL	IT 2Z16 NL ZZ ZZ	244,00
NF	IT 2Z16 NF ZZ ZZ	244,00
HH	IT 2Z16 HH ZZ ZZ	266,00
CZ	IT 2Z16 CZ ZZ ZZ	266,00
US	IT 2Z16 US ZZ ZZ	266,00
UZ	IT 2Z16 UZ ZZ ZZ	266,00
KK	IT 2Z16 KK ZZ ZZ	266,00
DD	IT 2Z16 DD ZZ ZZ	317,00
DZ	IT 2Z16 DZ ZZ ZZ	317,00
SZ	IT 2Z16 SZ ZZ ZZ	317,00

Mensola 40 cm
40 cm bathroom shelf
Tablette 40 cm
Regal 40 cm



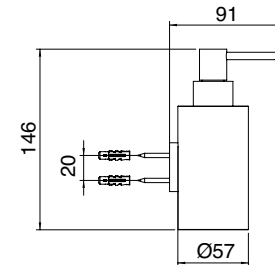
BB	IT 1Z04 BB ZZ 10	109,00
----	------------------	--------

Bicchieri da muro
Wall-mounted glass
Verre mural
Glashalter



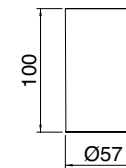
CC	IT 1Z41 CC ZZ ZZ	185,00
NN	IT 1Z41 NN ZZ ZZ	218,00
BB	IT 1Z41 BB ZZ ZZ	218,00
NL	IT 1Z41 NL ZZ ZZ	215,00
NF	IT 1Z41 NF ZZ ZZ	215,00
HH	IT 1Z41 HH ZZ ZZ	238,00
CZ	IT 1Z41 CZ ZZ ZZ	238,00
US	IT 1Z41 US ZZ ZZ	238,00
UZ	IT 1Z41 UZ ZZ ZZ	238,00
KK	IT 1Z41 KK ZZ ZZ	238,00
DD	IT 1Z41 DD ZZ ZZ	290,00
DZ	IT 1Z41 DZ ZZ ZZ	290,00
SZ	IT 1Z41 SZ ZZ ZZ	290,00

Dosatore sapone liquido da muro
Liquid soap dispenser
Distributeur de savon liquide
Seifenspender



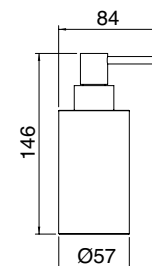
BB	RZIT 1Z33 BB 02	65,00
----	-----------------	-------

Bicchieri da appoggio
Free-standing holder
Verre à poser
Becherständer



CC	RWIT 1Z40 CC 01	150,00
NN	RWIT 1Z40 NN 01	182,00
BB	RWIT 1Z40 BB 01	182,00
NL	RWIT 1Z40 NL 01	179,00
NF	RWIT 1Z40 NF 01	179,00
HH	RWIT 1Z40 HH 01	202,00
CZ	RWIT 1Z40 CZ 01	202,00
US	RWIT 1Z40 US 01	202,00
UZ	RWIT 1Z40 UZ 01	202,00
KK	RWIT 1Z40 KK 01	202,00
DD	RWIT 1Z40 DD 01	255,00
DZ	RWIT 1Z40 DZ 01	255,00
SZ	RWIT 1Z40 SZ 01	255,00

Dosatore sapone liquido da appoggio
Free-standing liquid soap dispenser
Distributeur de savon liquide à poser
Seifenspender



X-CHANGE

ELECTRONIC

SHOWERS & THERMOSTATICS

PICCADILLY

OLD ITALY

ROMANTICA

BATH ACCESSORIES

Bath Accessories _ TAG# Filo

X-CHANGE

ELECTRONIC

SHOWERS & THERMOSTATICS

PICCADILLY

OLD ITALY

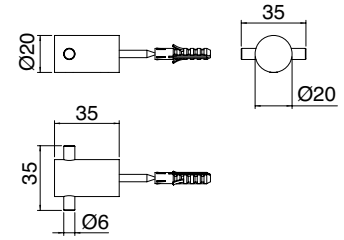
ROMANTICA

BATH ACCESSORIES



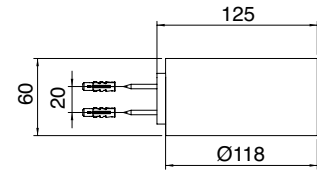
CC	IT 3Z11 CC ZZ ZZ	44,00
NN	IT 3Z11 NN ZZ ZZ	58,00
BB	IT 3Z11 BB ZZ ZZ	58,00
NL	IT 3Z11 NL ZZ ZZ	57,00
NF	IT 3Z11 NF ZZ ZZ	57,00
HH	IT 3Z11 HH ZZ ZZ	68,00
CZ	IT 3Z11 CZ ZZ ZZ	68,00
US	IT 3Z11 US ZZ ZZ	68,00
UZ	IT 3Z11 UZ ZZ ZZ	68,00
KK	IT 3Z11 KK ZZ ZZ	68,00
DD	IT 3Z11 DD ZZ ZZ	91,00
DZ	IT 3Z11 DZ ZZ ZZ	91,00
SZ	IT 3Z11 SZ ZZ ZZ	91,00

Porta abiti
Robe hook
Porte manteau
Kleiderhaken



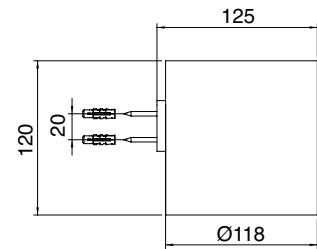
BB IT 1Z04 BB ZZ 06 160,00

Cestino doccia basso
Wall-mounted shower basket
Verre de douche mural
Niedrige Duschkorb



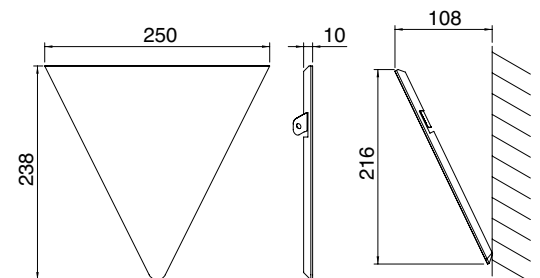
BB IT 1Z04 BB ZZ 12 190,00

Cestino doccia alto
Wall-mounted shower basket
Verre de douche mural
Hohen Duschkorb



BB IT 1Z36 BB ZZ ZZ 224,00

Angolare doccia
Corner sponge holder
Porte éponge coin
Schwammhalter



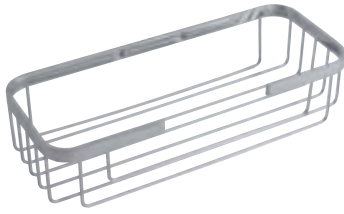


Bath Accessories _ TAG# Filo

X-CHANGE

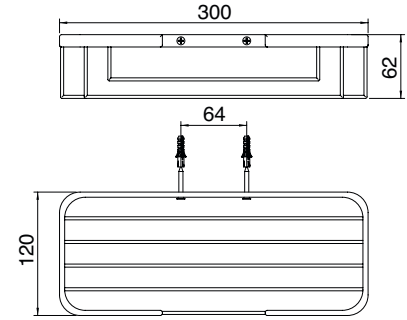
ELECTRONIC

SHOWERS & THERMOSTATICS



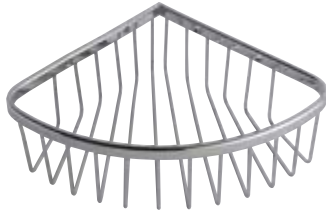
CC	IT 3Z02 CC ZZ ZZ	135,00
NN	IT 3Z02 NN ZZ ZZ	180,00
BB	IT 3Z02 BB ZZ ZZ	180,00
NL	IT 3Z02 NL ZZ ZZ	176,00
NF	IT 3Z02 NF ZZ ZZ	176,00
HH	IT 3Z02 HH ZZ ZZ	208,00
CZ	IT 3Z02 CZ ZZ ZZ	208,00
US	IT 3Z02 US ZZ ZZ	208,00
UZ	IT 3Z02 UZ ZZ ZZ	208,00
KK	IT 3Z02 KK ZZ ZZ	208,00
DD	IT 3Z02 DD ZZ ZZ	281,00
DZ	IT 3Z02 DZ ZZ ZZ	281,00
SZ	IT 3Z02 SZ ZZ ZZ	281,00

Griglia portaspugna
Sponge basket
Porte éponge
Schwammhalter



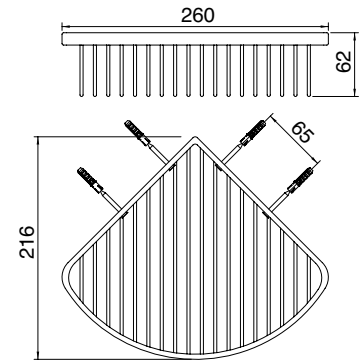
PICCADILLY

OLD ITALY



CC	IT 3Z36 CC ZZ ZZ	125,00
NN	IT 3Z36 NN ZZ ZZ	167,00
BB	IT 3Z36 BB ZZ ZZ	167,00
NL	IT 3Z36 NL ZZ ZZ	162,00
NF	IT 3Z36 NF ZZ ZZ	162,00
HH	IT 3Z36 HH ZZ ZZ	192,00
CZ	IT 3Z36 CZ ZZ ZZ	192,00
US	IT 3Z36 US ZZ ZZ	192,00
UZ	IT 3Z36 UZ ZZ ZZ	192,00
KK	IT 3Z36 KK ZZ ZZ	192,00
DD	IT 3Z36 DD ZZ ZZ	260,00
DZ	IT 3Z36 DZ ZZ ZZ	260,00
SZ	IT 3Z36 SZ ZZ ZZ	260,00

Griglia portaspugna angolare
Corner sponge basket
Porte éponge coin
Schwammhalter



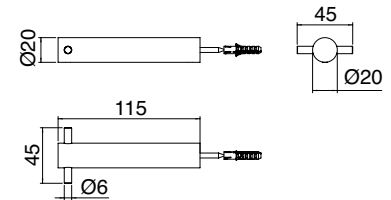
ROMANTICA

BATH ACCESSORIES



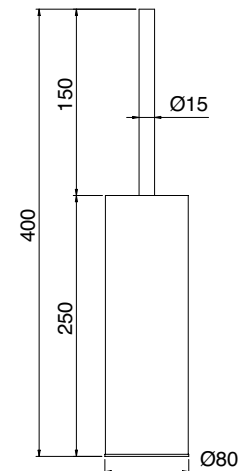
CC	IT 3Z01 CC ZZ ZZ	68,00
NN	IT 3Z01 NN ZZ ZZ	91,00
BB	IT 3Z01 BB ZZ ZZ	91,00
NL	IT 3Z01 NL ZZ ZZ	89,00
NF	IT 3Z01 NF ZZ ZZ	89,00
HH	IT 3Z01 HH ZZ ZZ	103,00
CZ	IT 3Z01 CZ ZZ ZZ	103,00
US	IT 3Z01 US ZZ ZZ	103,00
UZ	IT 3Z01 UZ ZZ ZZ	103,00
KK	IT 3Z01 KK ZZ ZZ	103,00
DD	IT 3Z01 DD ZZ ZZ	140,00
DZ	IT 3Z01 DZ ZZ ZZ	140,00
SZ	IT 3Z01 SZ ZZ ZZ	140,00

Portacarta
Toilet roll holder
Porte papier
Rollenhalter



CC	IT 2Z07 CC ZZ ZZ	130,00
NN	IT 2Z07 NN ZZ ZZ	173,00
BB	IT 2Z07 BB ZZ ZZ	173,00
NL	IT 2Z07 NL ZZ ZZ	170,00
NF	IT 2Z07 NF ZZ ZZ	170,00
HH	IT 2Z07 HH ZZ ZZ	200,00
CZ	IT 2Z07 CZ ZZ ZZ	200,00
US	IT 2Z07 US ZZ ZZ	200,00
UZ	IT 2Z07 UZ ZZ ZZ	200,00
KK	IT 2Z07 KK ZZ ZZ	200,00
DD	IT 2Z07 DD ZZ ZZ	269,00
DZ	IT 2Z07 DZ ZZ ZZ	269,00
SZ	IT 2Z07 SZ ZZ ZZ	269,00

Portascopino
Brush holder
Porte balai
Bürstenhalter

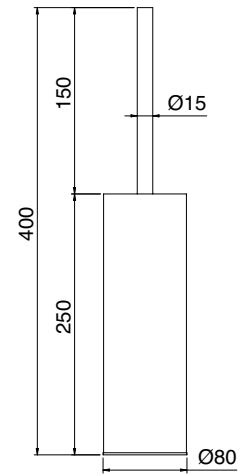


Bath Accessories _ TAG# Filo



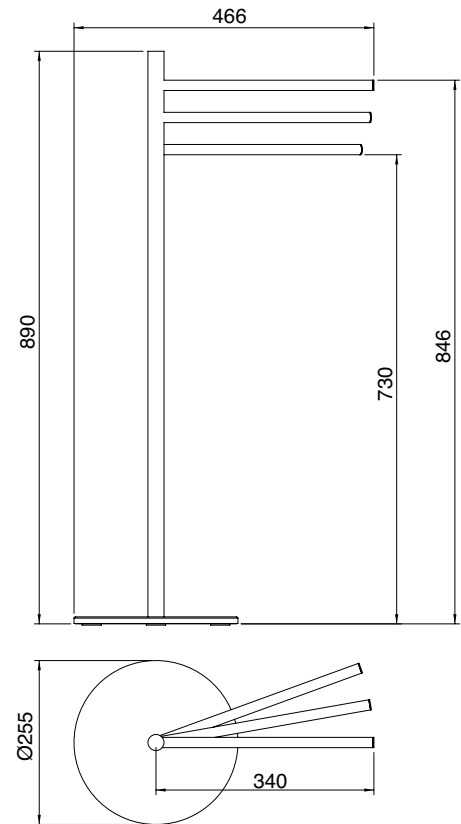
CC	IT 2Z13 CC ZZ ZZ	140,00
NN	IT 2Z13 NN ZZ ZZ	185,00
BB	IT 2Z13 BB ZZ ZZ	185,00
NL	IT 2Z13 NL ZZ ZZ	182,00
NF	IT 2Z13 NF ZZ ZZ	182,00
HH	IT 2Z13 HH ZZ ZZ	215,00
CZ	IT 2Z13 CZ ZZ ZZ	215,00
US	IT 2Z13 US ZZ ZZ	215,00
UZ	IT 2Z13 UZ ZZ ZZ	215,00
KK	IT 2Z13 KK ZZ ZZ	215,00
DD	IT 2Z13 DD ZZ ZZ	290,00
DZ	IT 2Z13 DZ ZZ ZZ	290,00
SZ	IT 2Z13 SZ ZZ ZZ	290,00

Portascopino a muro
Wall mounted toilet brush holder
Porte balai mural
Bürstenhalter Wandmontage



CC	IT 2Z17 CC ZZ ZZ	408,00
NN	IT 2Z17 NN ZZ ZZ	543,00
BB	IT 2Z17 BB ZZ ZZ	543,00
NL	IT 2Z17 NL ZZ ZZ	531,00
NF	IT 2Z17 NF ZZ ZZ	531,00
HH	IT 2Z17 HH ZZ ZZ	628,00
CZ	IT 2Z17 CZ ZZ ZZ	628,00
US	IT 2Z17 US ZZ ZZ	628,00
UZ	IT 2Z17 UZ ZZ ZZ	628,00
KK	IT 2Z17 KK ZZ ZZ	628,00
DD	IT 2Z17 DD ZZ ZZ	849,00
DZ	IT 2Z17 DZ ZZ ZZ	849,00
SZ	IT 2Z17 SZ ZZ ZZ	849,00

Piantana semplice a terra
Floor standing towel holder
Porte serviette vertical
Handtuchständer



X-CHANGE

ELECTRONIC

SHOWERS &
THERMOSTATICS

PICCADILLY

OLD ITALY

ROMANTICA

BATH ACCESSORIES



X-CHANGE

ELECTRONIC

SHOWERS &
THERMOSTATICS

PICCADILLY

OLD ITALY

ROMANTICA

BATH ACCESSORIES



BATH ACCESSORIES

ROMANTICA

OLD ITALY

PICCADILLY

SHOWERS &
THERMOSTATICS

ELECTRONIC

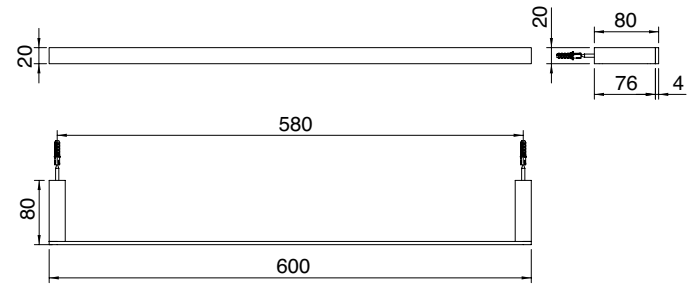
X-CHANGE

Bath Accessories _ TAG# Quadra



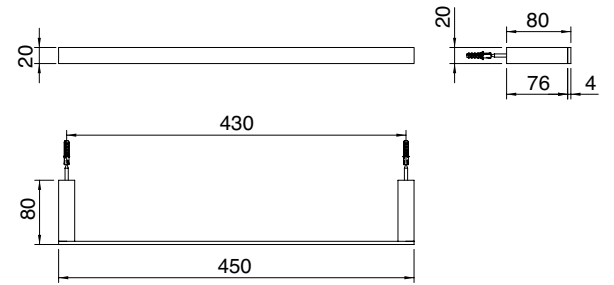
CC	IT 1Z05 CC ZZ ZZ	150,00
NN	IT 1Z05 NN ZZ ZZ	199,00
BB	IT 1Z05 BB ZZ ZZ	199,00
NL	IT 1Z05 NL ZZ ZZ	195,00
NF	IT 1Z05 NF ZZ ZZ	195,00
HH	IT 1Z05 HH ZZ ZZ	230,00
CZ	IT 1Z05 CZ ZZ ZZ	230,00
US	IT 1Z05 US ZZ ZZ	230,00
UZ	IT 1Z05 UZ ZZ ZZ	230,00
KK	IT 1Z05 KK ZZ ZZ	230,00
DD	IT 1Z05 DD ZZ ZZ	310,00
DZ	IT 1Z05 DZ ZZ ZZ	310,00
SZ	IT 1Z05 SZ ZZ ZZ	310,00

Portasalviette 60 cm
60 cm single towel holder
Porte serviette 60 cm
Handtuchstange 60 cm



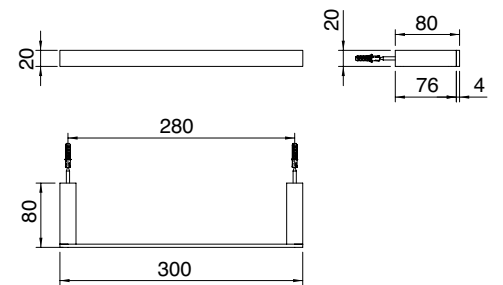
CC	IT 1Z06 CC ZZ ZZ	142,00
NN	IT 1Z06 NN ZZ ZZ	188,00
BB	IT 1Z06 BB ZZ ZZ	188,00
NL	IT 1Z06 NL ZZ ZZ	184,00
NF	IT 1Z06 NF ZZ ZZ	184,00
HH	IT 1Z06 HH ZZ ZZ	218,00
CZ	IT 1Z06 CZ ZZ ZZ	218,00
US	IT 1Z06 US ZZ ZZ	218,00
UZ	IT 1Z06 UZ ZZ ZZ	218,00
KK	IT 1Z06 KK ZZ ZZ	218,00
DD	IT 1Z06 DD ZZ ZZ	294,00
DZ	IT 1Z06 DZ ZZ ZZ	294,00
SZ	IT 1Z06 SZ ZZ ZZ	294,00

Portasalviette 45 cm
45 cm single towel holder
Porte serviette 45 cm
Handtuchstange 45 cm



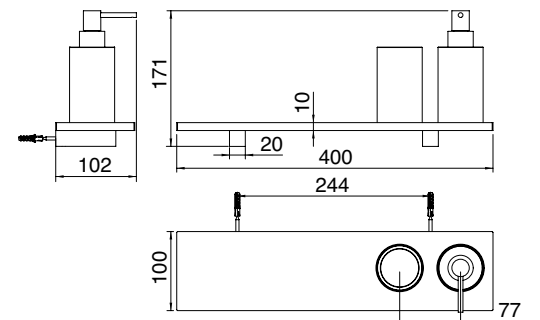
CC	IT 1Z24 CC ZZ ZZ	133,00
NN	IT 1Z24 NN ZZ ZZ	177,00
BB	IT 1Z24 BB ZZ ZZ	177,00
NL	IT 1Z24 NL ZZ ZZ	174,00
NF	IT 1Z24 NF ZZ ZZ	174,00
HH	IT 1Z24 HH ZZ ZZ	205,00
CZ	IT 1Z24 CZ ZZ ZZ	205,00
US	IT 1Z24 US ZZ ZZ	205,00
UZ	IT 1Z24 UZ ZZ ZZ	205,00
KK	IT 1Z24 KK ZZ ZZ	205,00
DD	IT 1Z24 DD ZZ ZZ	277,00
DZ	IT 1Z24 DZ ZZ ZZ	277,00
SZ	IT 1Z24 SZ ZZ ZZ	277,00

Portasalviette 30 cm
30 cm single towel holder
Porte serviette 30 cm
Handtuchstange 30 cm



CC	IT 1Z73 CC ZZ ZZ	432,00
NN	IT 1Z73 NN ZZ ZZ	496,00
BB	IT 1Z73 BB ZZ ZZ	496,00
NL	IT 1Z73 NL ZZ ZZ	489,00
NF	IT 1Z73 NF ZZ ZZ	489,00
HH	IT 1Z73 HH ZZ ZZ	534,00
CZ	IT 1Z73 CZ ZZ ZZ	534,00
US	IT 1Z73 US ZZ ZZ	534,00
UZ	IT 1Z73 UZ ZZ ZZ	534,00
KK	IT 1Z73 KK ZZ ZZ	534,00
DD	IT 1Z73 DD ZZ ZZ	637,00
DZ	IT 1Z73 DZ ZZ ZZ	637,00
SZ	IT 1Z73 SZ ZZ ZZ	637,00

Portadosatore, portabicchiere e portaoggetti
Liquid soap dispenser, glass holder and shelf
Distributeur de savon liquide, verre et tablette
Seifenspender, glashalter und Halt



RZIT1Z33BB02 RWIT1Z40_01



Art. IT 1Z73 NN ZZ ZZ - TAG# QUADRA

X-CHANGE

ELECTRONIC

SHOWERS &
THERMOSTATICS

PICCADILLY

OLD ITALY

ROMANTICA

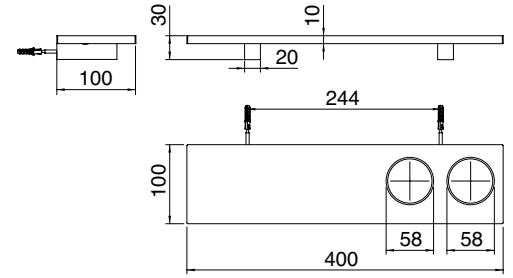
BATH ACCESSORIES

Bath Accessories _ TAG# Quadra



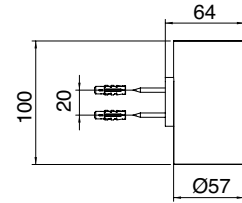
CC	IT 1Z16 CC ZZ ZZ	216,00
NN	IT 1Z16 NN ZZ ZZ	248,00
BB	IT 1Z16 BB ZZ ZZ	248,00
NL	IT 1Z16 NL ZZ ZZ	244,00
NF	IT 1Z16 NF ZZ ZZ	244,00
HH	IT 1Z16 HH ZZ ZZ	266,00
CZ	IT 1Z16 CZ ZZ ZZ	266,00
US	IT 1Z16 US ZZ ZZ	266,00
UZ	IT 1Z16 UZ ZZ ZZ	266,00
KK	IT 1Z16 KK ZZ ZZ	266,00
DD	IT 1Z16 DD ZZ ZZ	317,00
DZ	IT 1Z16 DZ ZZ ZZ	317,00
SZ	IT 1Z16 SZ ZZ ZZ	317,00

Mensola 40 cm
40 cm bathroom shelf
Tablette 40 cm
Regal 40 cm



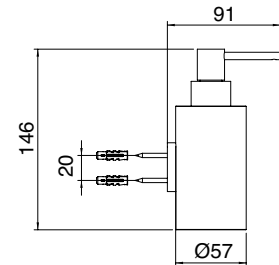
BB	IT 1Z04 BB ZZ 10	109,00
----	------------------	--------

Bicchiera da muro
Wall-mounted glass
Verre mural
Glashalter



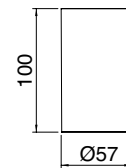
CC	IT 1Z41 CC ZZ ZZ	185,00
NN	IT 1Z41 NN ZZ ZZ	218,00
BB	IT 1Z41 BB ZZ ZZ	218,00
NL	IT 1Z41 NL ZZ ZZ	215,00
NF	IT 1Z41 NF ZZ ZZ	215,00
HH	IT 1Z41 HH ZZ ZZ	238,00
CZ	IT 1Z41 CZ ZZ ZZ	238,00
US	IT 1Z41 US ZZ ZZ	238,00
UZ	IT 1Z41 UZ ZZ ZZ	238,00
KK	IT 1Z41 KK ZZ ZZ	238,00
DD	IT 1Z41 DD ZZ ZZ	290,00
DZ	IT 1Z41 DZ ZZ ZZ	290,00
SZ	IT 1Z41 SZ ZZ ZZ	290,00

Dosatore sapone liquido da muro
Liquid soap dispenser
Distributeur de savon liquide
Seifenspender



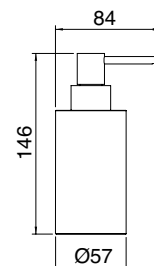
BB	RZIT 1Z33 BB 02	65,00
----	-----------------	-------

Bicchiera da appoggio
Free-standing holder
Verre à poser
Becherständer



CC	RWIT 1Z40 CC 01	150,00
NN	RWIT 1Z40 NN 01	182,00
BB	RWIT 1Z40 BB 01	182,00
NL	RWIT 1Z40 NL 01	179,00
NF	RWIT 1Z40 NF 01	179,00
HH	RWIT 1Z40 HH 01	202,00
CZ	RWIT 1Z40 CZ 01	202,00
US	RWIT 1Z40 US 01	202,00
UZ	RWIT 1Z40 UZ 01	202,00
KK	RWIT 1Z40 KK 01	202,00
DD	RWIT 1Z40 DD 01	255,00
DZ	RWIT 1Z40 DZ 01	255,00
SZ	RWIT 1Z40 SZ 01	255,00

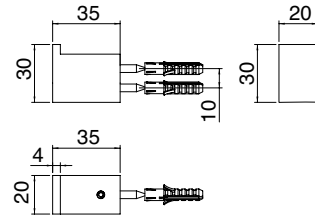
Dosatore sapone liquido da appoggio
Free-standing liquid soap dispenser
Distributeur de savon liquide à poser
Seifenspender



Bath Accessories _ TAG# Quadra

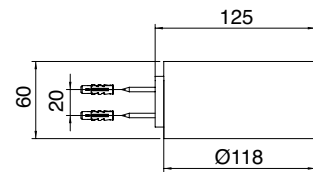
CC	IT 1Z11 CC ZZ ZZ	63,00
NN	IT 1Z11 NN ZZ ZZ	84,00
BB	IT 1Z11 BB ZZ ZZ	84,00
NL	IT 1Z11 NL ZZ ZZ	82,00
NF	IT 1Z11 NF ZZ ZZ	82,00
HH	IT 1Z11 HH ZZ ZZ	97,00
CZ	IT 1Z11 CZ ZZ ZZ	97,00
US	IT 1Z11 US ZZ ZZ	97,00
UZ	IT 1Z11 UZ ZZ ZZ	97,00
KK	IT 1Z11 KK ZZ ZZ	97,00
DD	IT 1Z11 DD ZZ ZZ	131,00
DZ	IT 1Z11 DZ ZZ ZZ	131,00
SZ	IT 1Z11 SZ ZZ ZZ	131,00

Porta abiti
 Robe hook
 Porte manteau
 Kleiderhaken



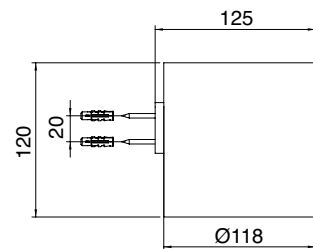
BB IT 1Z04 BB ZZ 06 160,00

Cestino doccia basso
 Wall-mounted shower basket
 Verre de douche mural
 Niedrige Duschkorb



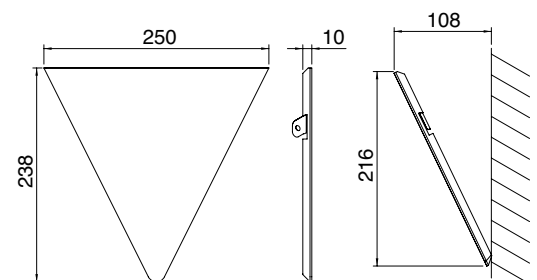
BB IT 1Z04 BB ZZ 12 190,00

Cestino doccia alto
 Wall-mounted shower basket
 Verre de douche mural
 Hohen Duschkorb



BB IT 1Z36 BB ZZ ZZ 224,00

Angolare doccia
 Corner sponge holder
 Porte éponge coin
 Schwammhalter



X-CHANGE

ELECTRONIC

SHOWERS &
THERMOSTATICS

PICCADILLY

OLD ITALY

ROMANTICA

BATH ACCESSORIES

X-CHANGE

ELECTRONIC

SHOWERS &
THERMOSTATICS

PICCADILLY

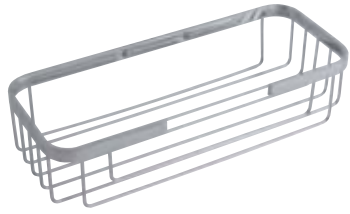
OLD ITALY

ROMANTICA

BATH ACCESSORIES

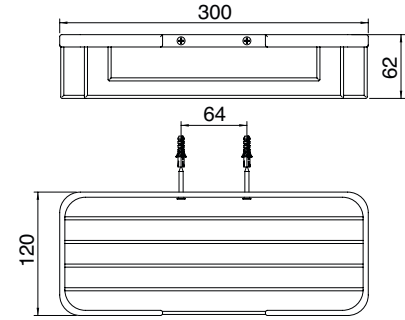


Bath Accessories _ TAG# Quadra



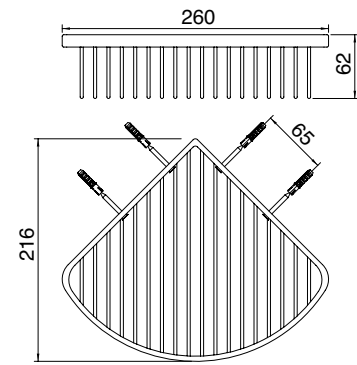
CC	IT 3Z02 CC ZZ ZZ	135,00
NN	IT 3Z02 NN ZZ ZZ	180,00
BB	IT 3Z02 BB ZZ ZZ	180,00
NL	IT 3Z02 NL ZZ ZZ	176,00
NF	IT 3Z02 NF ZZ ZZ	176,00
HH	IT 3Z02 HH ZZ ZZ	208,00
CZ	IT 3Z02 CZ ZZ ZZ	208,00
US	IT 3Z02 US ZZ ZZ	208,00
UZ	IT 3Z02 UZ ZZ ZZ	208,00
KK	IT 3Z02 KK ZZ ZZ	208,00
DD	IT 3Z02 DD ZZ ZZ	281,00
DZ	IT 3Z02 DZ ZZ ZZ	281,00
SZ	IT 3Z02 SZ ZZ ZZ	281,00

Griglia portaspugna
Sponge basket
Porte éponge
Schwammhalter



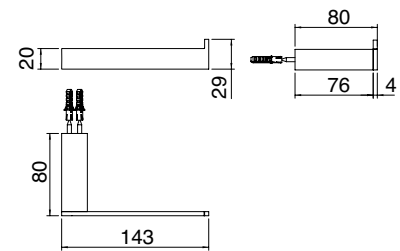
CC	IT 3Z36 CC ZZ ZZ	125,00
NN	IT 3Z36 NN ZZ ZZ	167,00
BB	IT 3Z36 BB ZZ ZZ	167,00
NL	IT 3Z36 NL ZZ ZZ	162,00
NF	IT 3Z36 NF ZZ ZZ	162,00
HH	IT 3Z36 HH ZZ ZZ	192,00
CZ	IT 3Z36 CZ ZZ ZZ	192,00
US	IT 3Z36 US ZZ ZZ	192,00
UZ	IT 3Z36 UZ ZZ ZZ	192,00
KK	IT 3Z36 KK ZZ ZZ	192,00
DD	IT 3Z36 DD ZZ ZZ	260,00
DZ	IT 3Z36 DZ ZZ ZZ	260,00
SZ	IT 3Z36 SZ ZZ ZZ	260,00

Griglia portaspugna angolare
Corner sponge basket
Porte éponge coin
Schwammhalter



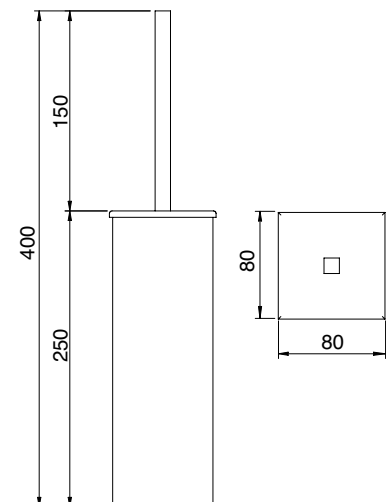
CC	IT 1Z01 CC ZZ ZZ	111,00
NN	IT 1Z01 NN ZZ ZZ	148,00
BB	IT 1Z01 BB ZZ ZZ	148,00
NL	IT 1Z01 NL ZZ ZZ	144,00
NF	IT 1Z01 NF ZZ ZZ	144,00
HH	IT 1Z01 HH ZZ ZZ	171,00
CZ	IT 1Z01 CZ ZZ ZZ	171,00
US	IT 1Z01 US ZZ ZZ	171,00
UZ	IT 1Z01 UZ ZZ ZZ	171,00
KK	IT 1Z01 KK ZZ ZZ	171,00
DD	IT 1Z01 DD ZZ ZZ	231,00
DZ	IT 1Z01 DZ ZZ ZZ	231,00
SZ	IT 1Z01 SZ ZZ ZZ	231,00

Portacarta
Toilet roll holder
Porte papier
Rollenhalter



CC	IT 1Z07 CC ZZ ZZ	235,00
NN	IT 1Z07 NN ZZ ZZ	313,00
BB	IT 1Z07 BB ZZ ZZ	313,00
NL	IT 1Z07 NL ZZ ZZ	305,00
NF	IT 1Z07 NF ZZ ZZ	305,00
HH	IT 1Z07 HH ZZ ZZ	363,00
CZ	IT 1Z07 CZ ZZ ZZ	363,00
US	IT 1Z07 US ZZ ZZ	363,00
UZ	IT 1Z07 UZ ZZ ZZ	363,00
KK	IT 1Z07 KK ZZ ZZ	363,00
DD	IT 1Z07 DD ZZ ZZ	488,00
DZ	IT 1Z07 DZ ZZ ZZ	488,00
SZ	IT 1Z07 SZ ZZ ZZ	488,00

Portascopino
Brush holder
Porte balai
Bürstenhalter



X-CHANGE

ELECTRONIC

SHOWERS & THERMOSTATICS

PICCADILLY

OLD ITALY

ROMANTICA

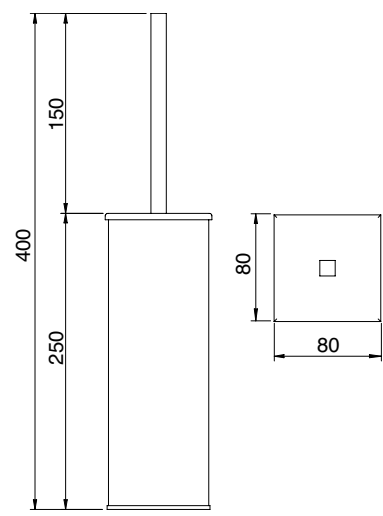
BATH ACCESSORIES

Bath Accessories _ TAG# Quadra



CC	IT 1Z13 CC ZZ ZZ	253,00
NN	IT 1Z13 NN ZZ ZZ	337,00
BB	IT 1Z13 BB ZZ ZZ	337,00
NL	IT 1Z13 NL ZZ ZZ	328,00
NF	IT 1Z13 NF ZZ ZZ	328,00
HH	IT 1Z13 HH ZZ ZZ	390,00
CZ	IT 1Z13 CZ ZZ ZZ	390,00
US	IT 1Z13 US ZZ ZZ	390,00
UZ	IT 1Z13 UZ ZZ ZZ	390,00
KK	IT 1Z13 KK ZZ ZZ	390,00
DD	IT 1Z13 DD ZZ ZZ	525,00
DZ	IT 1Z13 DZ ZZ ZZ	525,00
SZ	IT 1Z13 SZ ZZ ZZ	525,00

Portascopino a muro
 Wall mounted toilet brush holder
 Porte balai mural
 Bürstenhalter Wandmontage

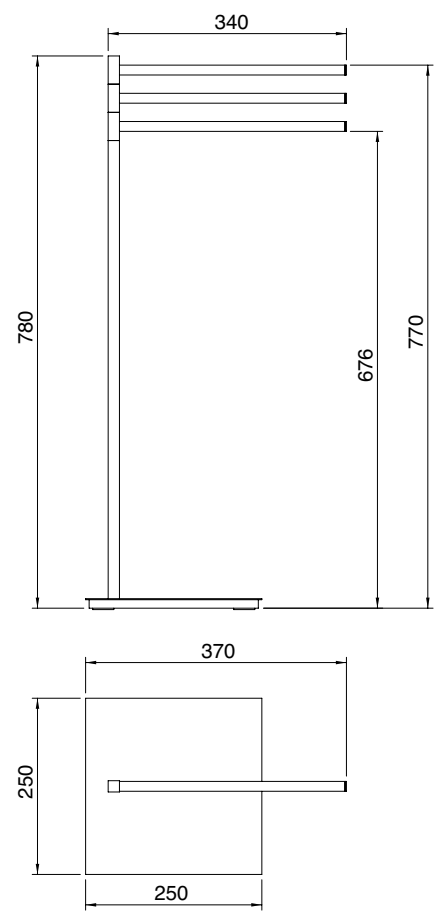


CC	IT 1Z17 CC ZZ ZZ	528,00
NN	IT 1Z17 NN ZZ ZZ	702,00
BB	IT 1Z17 BB ZZ ZZ	702,00
NL	IT 1Z17 NL ZZ ZZ	686,00
NF	IT 1Z17 NF ZZ ZZ	686,00
HH	IT 1Z17 HH ZZ ZZ	812,00
CZ	IT 1Z17 CZ ZZ ZZ	812,00
US	IT 1Z17 US ZZ ZZ	812,00
UZ	IT 1Z17 UZ ZZ ZZ	812,00
KK	IT 1Z17 KK ZZ ZZ	812,00
DD	IT 1Z17 DD ZZ ZZ	1.097,00
DZ	IT 1Z17 DZ ZZ ZZ	1.097,00
SZ	IT 1Z17 SZ ZZ ZZ	1.097,00

Piantana semplice a terra
 Floor standing towel holder
 Porte serviette vertical
 Handtuchständer



360°





X-CHANGE

ELECTRONIC

SHOWERS &
THERMOSTATICS

PICCADILLY

OLD ITALY

ROMANTICA

BATH ACCESSORIES

Art. IT 1Z13 CC ZZ ZZ - Art. IT 1Z01 CC ZZ ZZ - TAG# QUADRA

X-CHANGE

ELECTRONIC

SHOWERS &
THERMOSTATICS

PICCADILLY

OLD ITALY

ROMANTICA

BATH ACCESSORIES

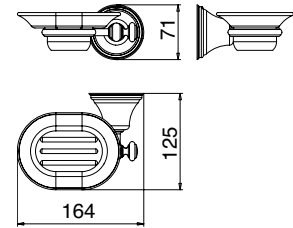
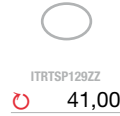


Bath Accessories _ 8200

CC	IT 8203 CC ZZ PP	119,00
NF	IT 8203 NF ZZ PP	155,00
US	IT 8203 US ZZ PP	183,00
DD	IT 8203 DD ZZ PP	204,00



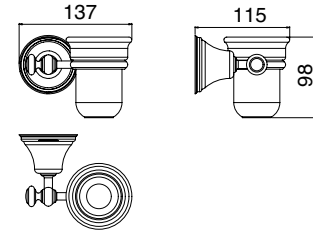
Portasapone
Soap dish holder
Porte savon
Halter für Seifenschale



CC	IT 8204 CC ZZ PP	112,00
NF	IT 8204 NF ZZ PP	145,00
US	IT 8204 US ZZ PP	172,00
DD	IT 8204 DD ZZ PP	195,00



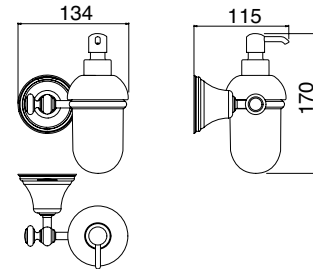
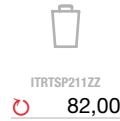
Portabicchiere
Glass holder
Porte verre
Glashalter



CC	IT 8241 CC ZZ ZZ	156,00
NF	IT 8241 NF ZZ ZZ	203,00
US	IT 8241 US ZZ ZZ	240,00
DD	IT 8241 DD ZZ ZZ	299,00



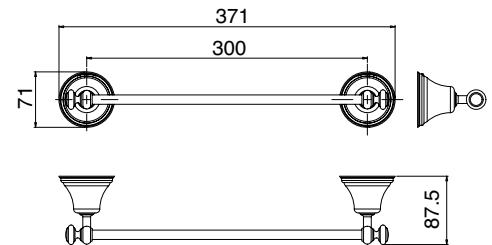
Dosatore sapone liquido da muro
Liquid soap dispenser holder
Distributeur de savon liquide
Seifenspender



CC	IT 8224 CC ZZ ZZ	147,00
NF	IT 8224 NF ZZ ZZ	191,00
US	IT 8224 US ZZ ZZ	226,00
DD	IT 8224 DD ZZ ZZ	317,00



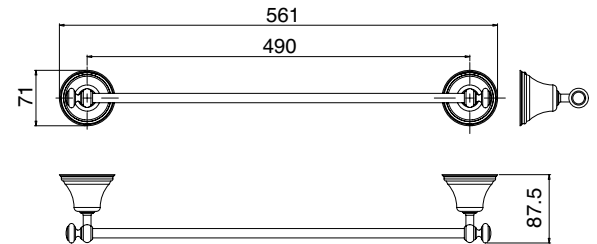
Portasalviette cm 37
37 cm Single towel holder
Porte serviette cm 37
Handtuchstange 37 cm



CC	IT 8205 CC ZZ ZZ	158,00
NF	IT 8205 NF ZZ ZZ	205,00
US	IT 8205 US ZZ ZZ	243,00
DD	IT 8205 DD ZZ ZZ	323,00



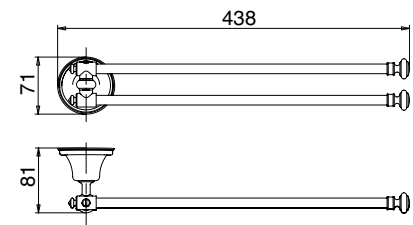
Portasalviette cm 56
56 cm Single towel holder
Porte serviette cm 56
Handtuchstange 56 cm



CC	IT 8222 CC ZZ ZZ	171,00
NF	IT 8222 NF ZZ ZZ	222,00
US	IT 8222 US ZZ ZZ	263,00
DD	IT 8222 DD ZZ ZZ	357,00



Portasalviette mobile 45 cm
45 cm Twin towel holder
Porte serviette double mobile 45 cm
Gelenkiger Handtuchhalter 45 cm



X-CHANGE

ELECTRONIC

SHOWERS & THERMOSTATICS

PICCADILLY

OLD ITALY

ROMANTICA

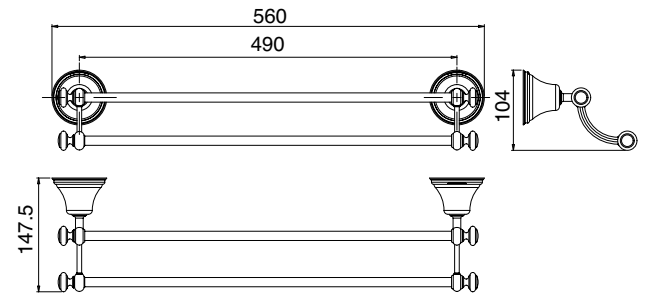
BATH ACCESSORIES

Bath Accessories _ 8200



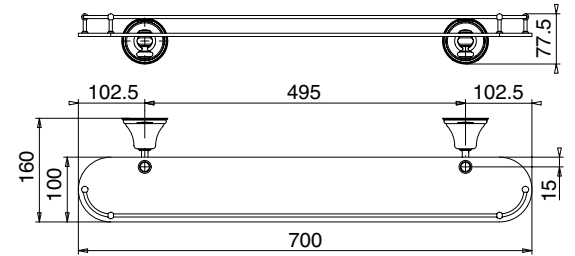
CC	IT 8220 CC ZZ ZZ	230,00
NF	IT 8220 NF ZZ ZZ	299,00
US	IT 8220 US ZZ ZZ	354,00
DD	IT 8220 DD ZZ ZZ	469,00

Porta salviette doppio cm 56
56 cm Twin towel holder
Porte serviette double cm 56
Doppel Badetuchhalter 56 cm



CC	IT 8225 CC ZZ VV	275,00
NF	IT 8225 NF ZZ VV	356,00
US	IT 8225 US ZZ VV	423,00
DD	IT 8225 DD ZZ VV	474,00

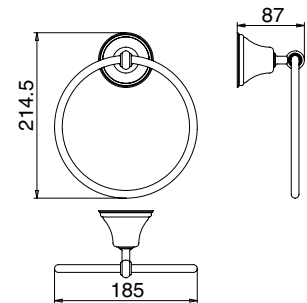
Mensola cm 70
70 cm bathroom shelf
Tablette cm 70
Regal cm 70



ITRTSP20ZZ
135,00

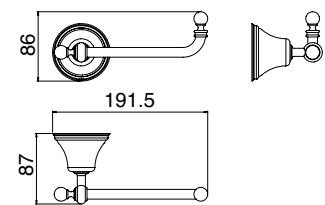
CC	IT 8221 CC ZZ ZZ	104,00
NF	IT 8221 NF ZZ ZZ	136,00
US	IT 8221 US ZZ ZZ	160,00
DD	IT 8221 DD ZZ ZZ	189,00

Portasalvietta ad anello Ø19 cm
Ø19 cm Towel holder
Porte serviette cm Ø19 cm
Handtuchhalter Ø19 cm



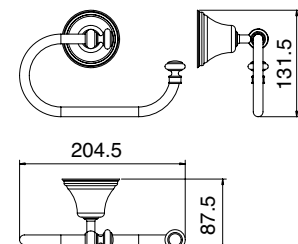
CC	IT 8201 CC ZZ ZZ	112,00
NF	IT 8201 NF ZZ ZZ	145,00
US	IT 8201 US ZZ ZZ	172,00
DD	IT 8201 DD ZZ ZZ	199,00

Portacarta
Toilet roll holder
Porte papier
Rollenhalter



CC	IT 8227 CC ZZ ZZ	129,00
NF	IT 8227 NF ZZ ZZ	166,00
US	IT 8227 US ZZ ZZ	198,00
DD	IT 8227 DD ZZ ZZ	201,00

Portacarta
Toilet roll holder
Porte papier
Rollenhalter





Art. IT 8203 DD ZZ PP

Glabe

X-CHANGE

ELECTRONIC

SHOWERS &
THERMOSTATICS

PICCADILLY

OLD ITALY

ROMANTICA

BATH ACCESSORIES

X-CHANGE

ELECTRONIC

SHOWERS &
THERMOSTATICS

PICCADILLY

OLD ITALY

ROMANTICA

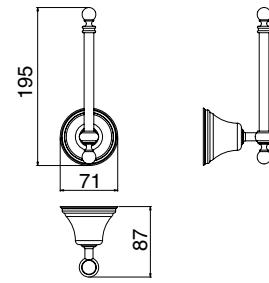
BATH ACCESSORIES





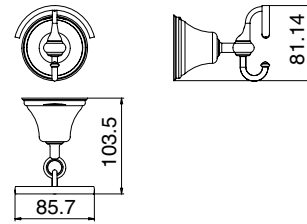
CC	IT 8228 CC ZZ ZZ	101,00
NF	IT 8228 NF ZZ ZZ	131,00
US	IT 8228 US ZZ ZZ	155,00
DD	IT 8228 DD ZZ ZZ	185,00

Portacarta di scorta
Spare toilet roll holder
Porte papier de réserve
Reserve WC-Papierhalter



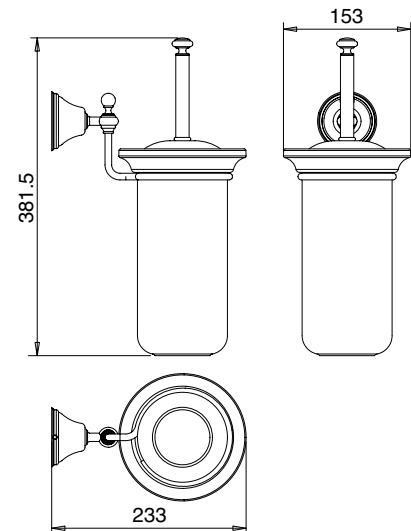
CC	IT 8211 CC ZZ ZZ	78,00
NF	IT 8211 NF ZZ ZZ	102,00
US	IT 8211 US ZZ ZZ	120,00
DD	IT 8211 DD ZZ ZZ	153,00

Porta abiti
Robe hook
Porte manteau
Kleiderhaken



CC	IT 8213 CC ZZ PP	299,00
NF	IT 8213 NF ZZ PP	388,00
US	IT 8213 US ZZ PP	459,00
DD	IT 8213 DD ZZ PP	517,00

Portascopino a muro
Wall mounted toilet brush holder
Porte balai mural
Bürstenhalter Wandmontage



X-CHANGE

ELECTRONIC

SHOWERS &
THERMOSTATICS

PICCADILLY

OLD ITALY

ROMANTICA

BATH ACCESSORIES

Kitchen

design by treemme

- chrome **CC**
- matt black **NN**
- matt white **BB**
- polished nickel **NL**
- brushed nickel **NF**
- polished black chrome **HH**
- brushed black chrome **CZ**
- brushed bronze **US**
- brushed brass **UZ**
- oxidized **KK**
- gold **DD**
- brushed gold **DZ**
- brushed rose gold **SZ**

X-CHANGE

ELECTRONIC

SHOWERS &
THERMOSTATICS

PICCADILLY

OLD ITALY

ROMANTICA

BATH ACCESSORIES

KITCHEN

Kitchen - Design

X-CHANGE

ELECTRONIC

SHOWERS & THERMOSTATICS

PICCADILLY

OLD ITALY

ROMANTICA

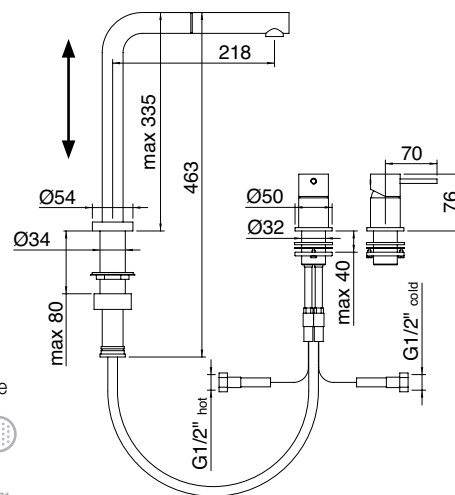
BATH ACCESSORIES

KITCHEN



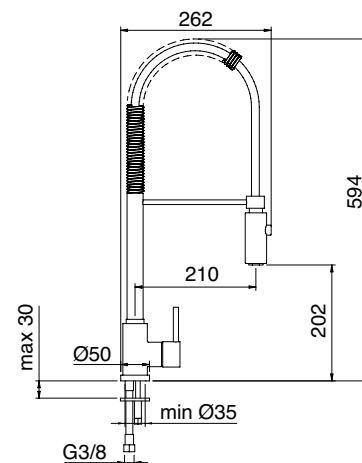
CC	IT 5505 CC VL ZZ	430,00
NN*	IT 5505 NN VL ZZ	658,00
BB*	IT 5505 BB VL ZZ	658,00
NL*	IT 5505 NL VL ZZ	643,00
NF*	IT 5505 NF VL ZZ	643,00
HH*	IT 5505 HH VL ZZ	762,00
CZ*	IT 5505 CZ VL ZZ	762,00
US*	IT 5505 US VL ZZ	762,00
UZ*	IT 5505 UZ VL ZZ	762,00
KK*	IT 5505 KK VL ZZ	762,00
DD*	IT 5505 DD VL ZZ	1.029,00
DZ*	IT 5505 DZ VL ZZ	1.029,00
SZ*	IT 5505 SZ VL ZZ	1.029,00

Miscelatore lavello con doccetta estraibile
Sink mixer with extractable hand-shower
Mitigeur évier avec douchette extractible
Spülbecken-Mischregler mit ausziehbarem Auslauf und Handbrause



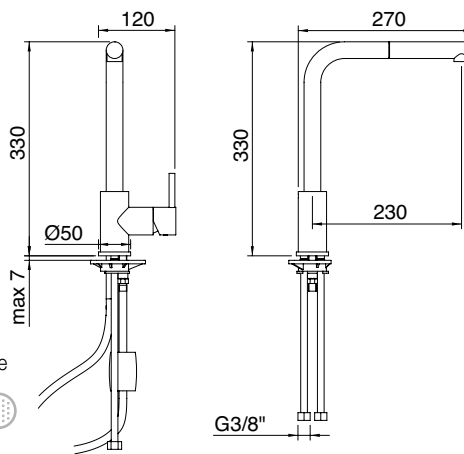
CC	IT 5501 CC LL ZZ	427,00
----	------------------	--------

Miscelatore lavello
Sink mixer
Mitigeur évier
Einhebel - Spültischarmatur



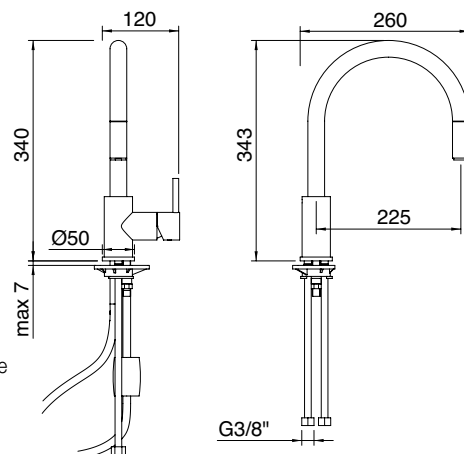
CC	IT 5507 CC EA ZZ	301,00
NN*	IT 5507 NN EA ZZ	462,00
BB*	IT 5507 BB EA ZZ	462,00
NL*	IT 5507 NL EA ZZ	450,00
NF*	IT 5507 NF EA ZZ	450,00
HH*	IT 5507 HH EA ZZ	534,00
CZ*	IT 5507 CZ EA ZZ	534,00
US*	IT 5507 US EA ZZ	534,00
UZ*	IT 5507 UZ EA ZZ	534,00
KK*	IT 5507 KK EA ZZ	534,00
DD*	IT 5507 DD EA ZZ	719,00
DZ*	IT 5507 DZ EA ZZ	719,00
SZ*	IT 5507 SZ EA ZZ	719,00

Miscelatore lavello con doccetta estraibile
Sink mixer with extractable hand-shower
Mitigeur évier avec douchette extractible
Spülbecken-Mischregler mit ausziehbarem Auslauf und Handbrause



CC	IT 5508 CC EA ZZ	290,00
NN	IT 5508 NN EA ZZ	446,00
BB	IT 5508 BB EA ZZ	446,00
NL	IT 5508 NL EA ZZ	434,00
NF	IT 5508 NF EA ZZ	434,00
HH	IT 5508 HH EA ZZ	516,00
CZ	IT 5508 CZ EA ZZ	516,00
US	IT 5508 US EA ZZ	516,00
UZ	IT 5508 UZ EA ZZ	516,00
KK	IT 5508 KK EA ZZ	516,00
DD	IT 5508 DD EA ZZ	695,00
DZ	IT 5508 DZ EA ZZ	695,00
SZ	IT 5508 SZ EA ZZ	695,00

Miscelatore lavello con doccetta estraibile
Sink mixer with extractable hand-shower
Mitigeur évier avec douchette extractible
Spülbecken-Mischregler mit ausziehbarem Auslauf und Handbrause





IT 5505 CC VL ZZ

KITCHEN BATH ACCESSORIES ROMANTICA OLD ITALY PICCADILLY SHOWERS & THERMOSTATICS ELECTRONIC X-CHANGE

X-CHANGE

ELECTRONIC

SHOWERS &
THERMOSTATICS

PICCADILLY

OLD ITALY

ROMANTICA

BATH ACCESSORIES

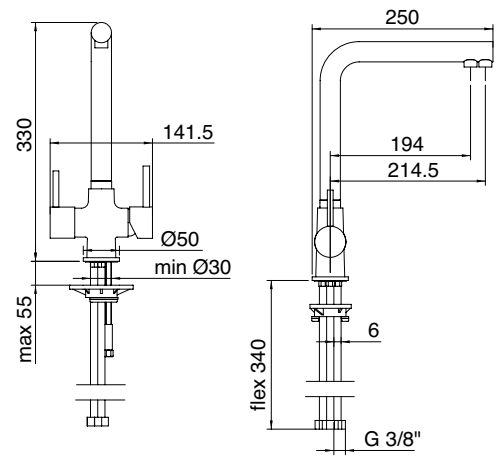
KITCHEN





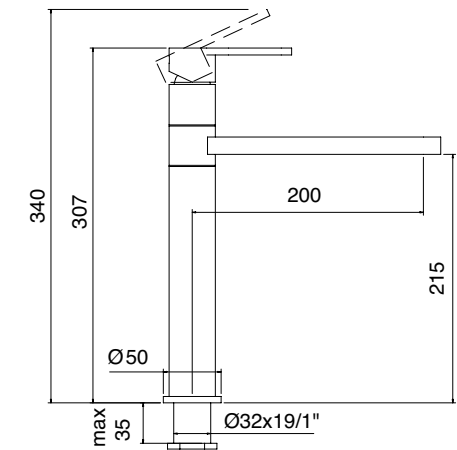
CC	IT 5503	CC EA ZZ	301,00
NN	IT 5503	NN EA ZZ	462,00
BB	IT 5503	BB EA ZZ	462,00
NL	IT 5503	NL EA ZZ	450,00
NF	IT 5503	NF EA ZZ	450,00
HH	IT 5503	HH EA ZZ	534,00
CZ	IT 5503	CZ EA ZZ	534,00
US	IT 5503	US EA ZZ	534,00
UZ	IT 5503	UZ EA ZZ	534,00
KK	IT 5503	KK EA ZZ	534,00
DD	IT 5503	DD EA ZZ	719,00
DZ	IT 5503	DZ EA ZZ	719,00
SZ	IT 5503	SZ EA ZZ	719,00

Miscelatore lavello 3 vie acque separate
3 way sink mixer
Mitigeur évier 3 voies
3 Wege Spülbecken-Mischregler



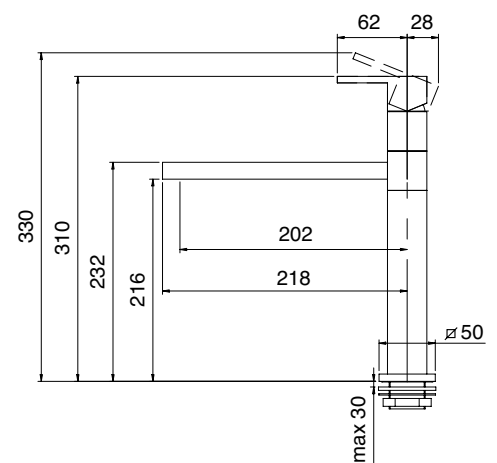
CC	IT 2731	CC KL ZZ	449,00
NN	IT 2731	NN KL ZZ	597,00
BB	IT 2731	BB KL ZZ	597,00
NL	IT 2731	NL KL ZZ	584,00
NF	IT 2731	NF KL ZZ	584,00
HH	IT 2731	HH KL ZZ	691,00
CZ	IT 2731	CZ KL ZZ	691,00
US	IT 2731	US KL ZZ	691,00
UZ	IT 2731	UZ KL ZZ	691,00
KK	IT 2731	KK KL ZZ	691,00
DD	IT 2731	DD KL ZZ	934,00
DZ	IT 2731	DZ KL ZZ	934,00
SZ	IT 2731	SZ KL ZZ	934,00

Miscelatore lavello
Sink mixer
Mitigeur évier
Einhebel - Spültischarmatur



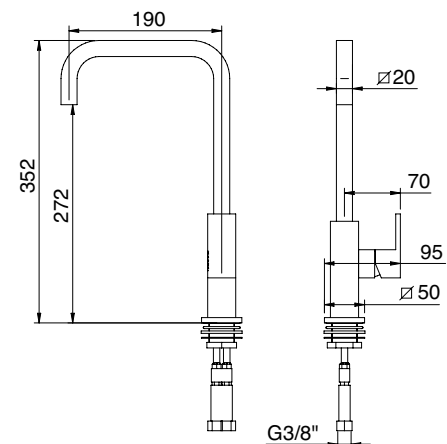
CC	IT 5631	CC QQ ZZ	496,00
NN	IT 5631	NN QQ ZZ	660,00
BB	IT 5631	BB QQ ZZ	660,00
NL	IT 5631	NL QQ ZZ	645,00
NF	IT 5631	NF QQ ZZ	645,00
HH	IT 5631	HH QQ ZZ	764,00
CZ	IT 5631	CZ QQ ZZ	764,00
US	IT 5631	US QQ ZZ	764,00
UZ	IT 5631	UZ QQ ZZ	764,00
KK	IT 5631	KK QQ ZZ	764,00
DD	IT 5631	DD QQ ZZ	1.032,00
DZ	IT 5631	DZ QQ ZZ	1.032,00
SZ	IT 5631	SZ QQ ZZ	1.032,00

Miscelatore lavello
Sink mixer
Mitigeur évier
Einhebel - Spültischarmatur



CC	IT 5641	CC QQ ZZ	384,00
NN	IT 5641	NN QQ ZZ	511,00
BB	IT 5641	BB QQ ZZ	511,00
NL	IT 5641	NL QQ ZZ	499,00
NF	IT 5641	NF QQ ZZ	499,00
HH	IT 5641	HH QQ ZZ	592,00
CZ	IT 5641	CZ QQ ZZ	592,00
US	IT 5641	US QQ ZZ	592,00
UZ	IT 5641	UZ QQ ZZ	592,00
KK	IT 5641	KK QQ ZZ	592,00
DD	IT 5641	DD QQ ZZ	798,00
DZ	IT 5641	DZ QQ ZZ	798,00
SZ	IT 5641	SZ QQ ZZ	798,00

Miscelatore lavello
Sink mixer
Mitigeur évier
Einhebel - Spültischarmatur



X-CHANGE

ELECTRONIC

SHOWERS & THERMOSTATICS

PICCADILLY

OLD ITALY

ROMANTICA

BATH ACCESSORIES

KITCHEN

Kitchen - Design

X-CHANGE

ELECTRONIC

SHOWERS & THERMOSTATICS

PICCADILLY

OLD ITALY

ROMANTICA

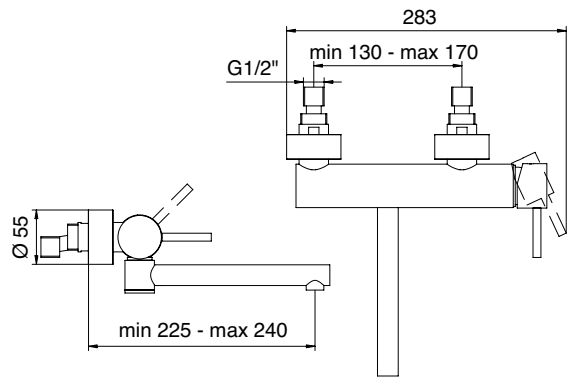
BATH ACCESSORIES

KITCHEN



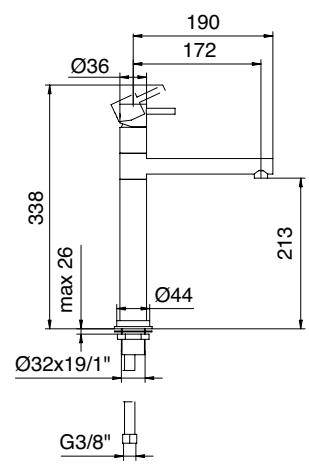
CC	IT 5830 CC VL ZZ	359,00
NN	IT 5830 NN VL ZZ	477,00
BB	IT 5830 BB VL ZZ	477,00
NL	IT 5830 NL VL ZZ	467,00
NF	IT 5830 NF VL ZZ	467,00
HH	IT 5830 HH VL ZZ	553,00
CZ	IT 5830 CZ VL ZZ	553,00
US	IT 5830 US VL ZZ	553,00
UZ	IT 5830 UZ VL ZZ	553,00
KK	IT 5830 KK VL ZZ	553,00
DD	IT 5830 DD VL ZZ	746,00
DZ	IT 5830 DZ VL ZZ	746,00
SZ	IT 5830 SZ VL ZZ	746,00

Miscelatore monocomando livello a parete
Wall-mtd. sink-mixer
Mitigeur évier mural bec orientable
Einhebel - Spültischarmatur Wandmontage



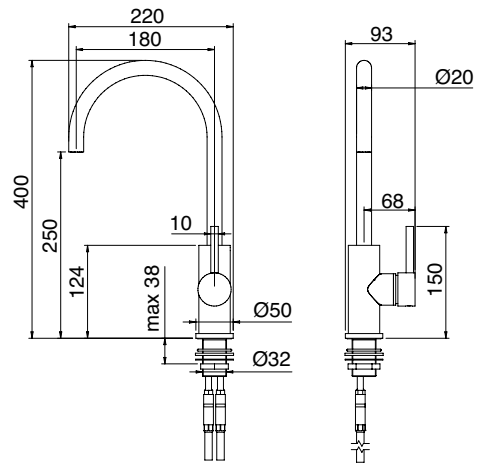
CC	IT 5831 CC VL ZZ	263,00
NN	IT 5831 NN VL ZZ	350,00
BB	IT 5831 BB VL ZZ	350,00
NL	IT 5831 NL VL ZZ	342,00
NF	IT 5831 NF VL ZZ	342,00
HH	IT 5831 HH VL ZZ	405,00
CZ	IT 5831 CZ VL ZZ	405,00
US	IT 5831 US VL ZZ	405,00
UZ	IT 5831 UZ VL ZZ	405,00
KK	IT 5831 KK VL ZZ	405,00
DD	IT 5831 DD VL ZZ	546,00
DZ	IT 5831 DZ VL ZZ	546,00
SZ	IT 5831 SZ VL ZZ	546,00

Miscelatore livello
Sink mixer
Mitigeur évier
Einhebel - Spültischarmatur



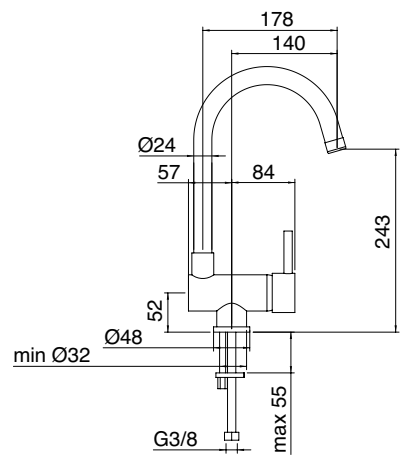
CC	IT 5502 CC EA ZZ	239,00
NN	IT 5502 NN EA ZZ	318,00
BB	IT 5502 BB EA ZZ	318,00
NL	IT 5502 NL EA ZZ	311,00
NF	IT 5502 NF EA ZZ	311,00
HH	IT 5502 HH EA ZZ	368,00
CZ	IT 5502 CZ EA ZZ	368,00
US	IT 5502 US EA ZZ	368,00
UZ	IT 5502 UZ EA ZZ	368,00
KK	IT 5502 KK EA ZZ	368,00
DD	IT 5502 DD EA ZZ	497,00
DZ	IT 5502 DZ EA ZZ	497,00
SZ	IT 5502 SZ EA ZZ	497,00

Miscelatore livello
Sink mixer
Mitigeur évier
Einhebel - Spültischarmatur



CC	IT 5544 CC EA ZZ	323,00
----	------------------	--------

Miscelatore livello
Sink mixer
Mitigeur évier
Einhebel - Spültischarmatur





X-CHANGE

ELECTRONIC

SHOWERS &
THERMOSTATICS

PICCADILLY

OLD ITALY

ROMANTICA

BATH ACCESSORIES

KITCHEN

Kitchen - Design

X-CHANGE

ELECTRONIC

SHOWERS & THERMOSTATICS

PICCADILLY

OLD ITALY

ROMANTICA

BATH ACCESSORIES

KITCHEN



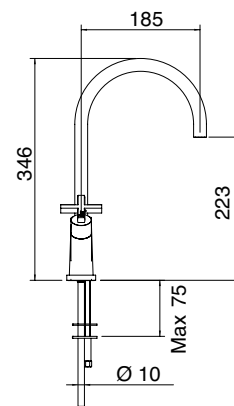
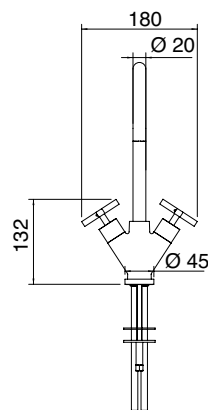
CC	IT 1031 CC XV ZZ	259,00
NN	IT 1031 NN XV ZZ	345,00
BB	IT 1031 BB XV ZZ	345,00
NL	IT 1031 NL XV ZZ	336,00
NF	IT 1031 NF XV ZZ	336,00
HH	IT 1031 HH XV ZZ	398,00
CZ	IT 1031 CZ XV ZZ	398,00
US	IT 1031 US XV ZZ	398,00
UZ	IT 1031 UZ XV ZZ	398,00
KK	IT 1031 KK XV ZZ	398,00
DD	IT 1031 DD XV ZZ	538,00
DZ	IT 1031 DZ XV ZZ	538,00
SZ	IT 1031 SZ XV ZZ	538,00

Monoforo lavello
Single hole sink mixer
Mélangeur évier monotrou
Spültisch-Einlochbatterie



ITRTVT101CC ITRTAE137ZZ ITRTAT105ZZ

5 l/min



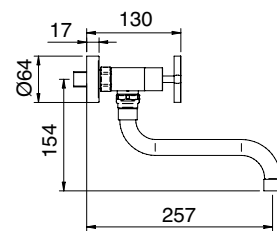
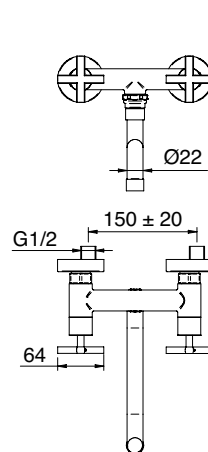
CC	IT 1030 CC XV ZZ	273,00
NN	IT 1030 NN XV ZZ	364,00
BB	IT 1030 BB XV ZZ	364,00
NL	IT 1030 NL XV ZZ	355,00
NF	IT 1030 NF XV ZZ	355,00
HH	IT 1030 HH XV ZZ	422,00
CZ	IT 1030 CZ XV ZZ	422,00
US	IT 1030 US XV ZZ	422,00
UZ	IT 1030 UZ XV ZZ	422,00
KK	IT 1030 KK XV ZZ	422,00
DD	IT 1030 DD XV ZZ	569,00
DZ	IT 1030 DZ XV ZZ	569,00
SZ	IT 1030 SZ XV ZZ	569,00

Gruppo lavello
Wall mounted sink mixer
Mélangeur évier mural
Wand-Brückenbatterie



ITRTVT101CC ITRTAE160_

6 l/min





X-CHANGE

ELECTRONIC

SHOWERS &
THERMOSTATICS

PICCADILLY

OLD ITALY

ROMANTICA

BATH ACCESSORIES

KITCHEN

IT 2134 DZ PL ZZ

Kitchen - Retró

X-CHANGE

ELECTRONIC

SHOWERS & THERMOSTATICS

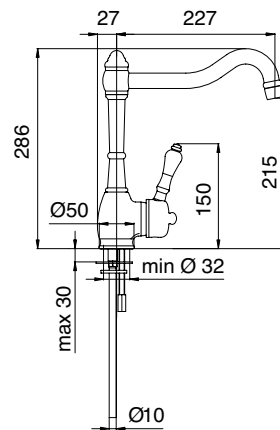


CC	IT 2134 CC PL ZZ	322,00
NL	IT 2134 NL PL ZZ	418,00
US	IT 2134 US PL ZZ	496,00
DD	IT 2134 DD PL ZZ	669,00
DZ	IT 2134 DZ PL ZZ	669,00
SZ	IT 2134 SZ PL ZZ	669,00

Miscelatore lavello
Sink mixer
Mitigeur évier
Einhebel - Spültischarmatur



ITRTVT150ZZ ITRTAE112_ 6 l/min



PICCADILLY

OLD ITALY

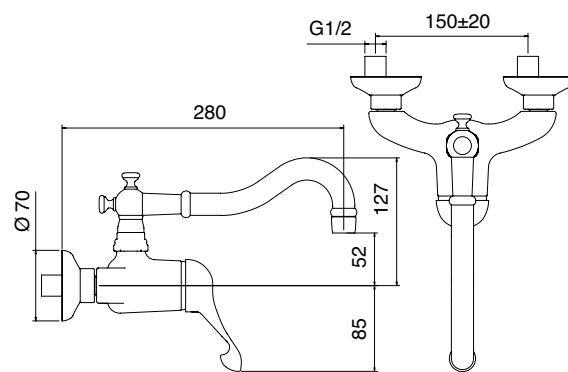


CC	IT 2130 CC PY ZZ	294,00
NL	IT 2130 NL PY ZZ	383,00
US	IT 2130 US PY ZZ	454,00
DD	IT 2130 DD PY ZZ	613,00
DZ	IT 2130 DZ PY ZZ	613,00
SZ	IT 2130 SZ PY ZZ	613,00

Miscelatore monocomando lavello a parete
Wall-mtd. sink-mixer
Mitigeur évier mural
Einhebel - Spültischarmatur Wandmontage



ITRTVT149ZZ ITRTAE112_ 6 l/min



ROMANTICA

BATH ACCESSORIES

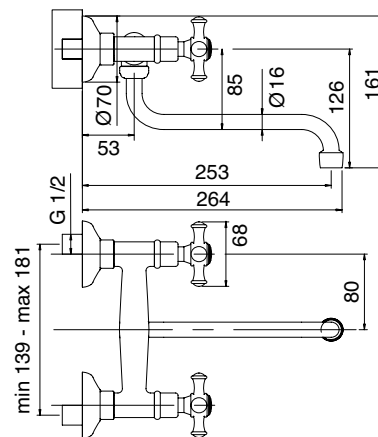


CC	IT 4430 CC OI ZZ	205,00
NL	IT 4430 NL OI ZZ	267,00
US	IT 4430 US OI ZZ	317,00
DD	IT 4430 DD OI ZZ	427,00
DZ	IT 4430 DZ OI ZZ	427,00
SZ	IT 4430 SZ OI ZZ	427,00

Gruppo lavello
Wall mounted sink mixer
Mélangeur évier mural
Wand-Brückenbatterie



ITRTVT101CC ITRTAE112_ 6 l/min



KITCHEN

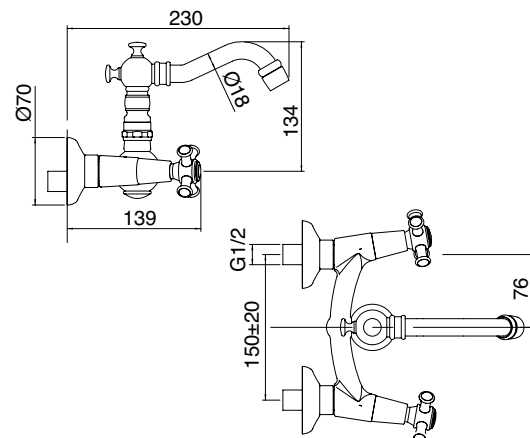


CC	IT 4435 CC OI ZZ	355,00
NL	IT 4435 NL OI ZZ	462,00
US	IT 4435 US OI ZZ	548,00
DD	IT 4435 DD OI ZZ	740,00
DZ	IT 4435 DZ OI ZZ	740,00
SZ	IT 4435 SZ OI ZZ	740,00

Gruppo lavello
Wall mounted sink mixer
Mélangeur évier mural
Wand-Brückenbatterie



ITRTVT101CC ITRTAE114_ 5 l/min





IT 2130 CC PY ZZ

KITCHEN

BATH ACCESSORIES

ROMANTICA

OLD ITALY

PICCADILLY

SHOWERS &
THERMOSTATICS

ELECTRONIC

X-CHANGE

Kitchen - Retró

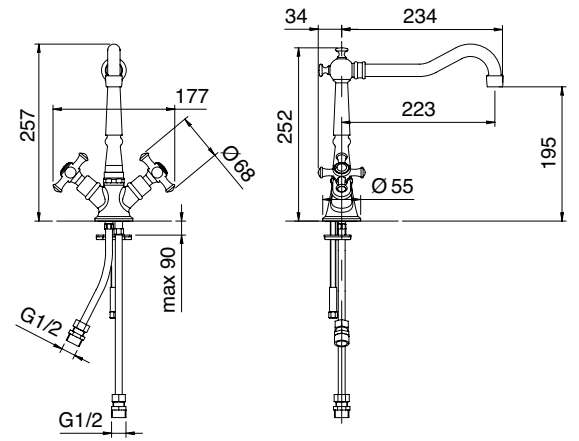


CC	IT 4438 CC OI ZZ	285,00
NL	IT 4438 NL OI ZZ	371,00
US	IT 4438 US OI ZZ	439,00
DD	IT 4438 DD OI ZZ	593,00
DZ	IT 4438 DZ OI ZZ	593,00
SZ	IT 4438 SZ OI ZZ	593,00

Monoforo lavello
Single hole sink mixer
Mélangeur évier monotrou
Spültisch-Einlochbatterie



ITRTVT101CC ITRTAE112_ 6 l/min

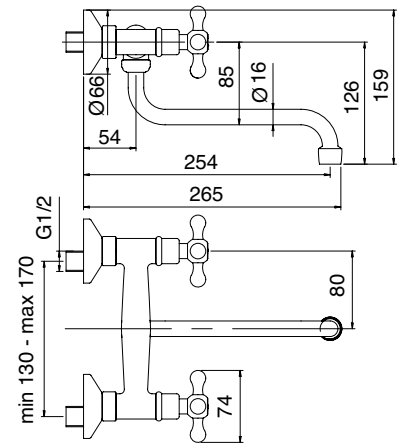


CC	IT 3630 CC PV ZZ	185,00
NL	IT 3630 NL PV ZZ	241,00
US	IT 3630 US PV ZZ	286,00
DD	IT 3630 DD PV ZZ	386,00
DZ	IT 3630 DZ PV ZZ	386,00
SZ	IT 3630 SZ PV ZZ	386,00

Gruppo lavello
Wall mounted sink mixer
Mélangeur évier mural
Wand-Brückenbatterie



ITRTVT101CC ITRTAE112_ 6 l/min

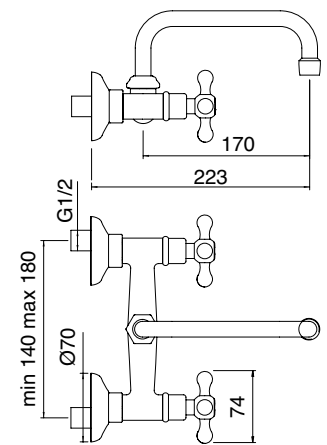


CC	IT 3635 CC PV ZZ	185,00
NL	IT 3635 NL PV ZZ	241,00
US	IT 3635 US PV ZZ	286,00
DD	IT 3635 DD PV ZZ	386,00
DZ	IT 3635 DZ PV ZZ	386,00
SZ	IT 3635 SZ PV ZZ	386,00

Gruppo lavello
Wall mounted sink mixer
Mélangeur évier mural
Wand-Brückenbatterie

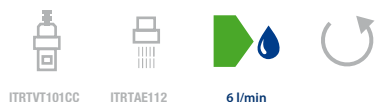


ITRTVT101CC ITRTAE112_ 6 l/min

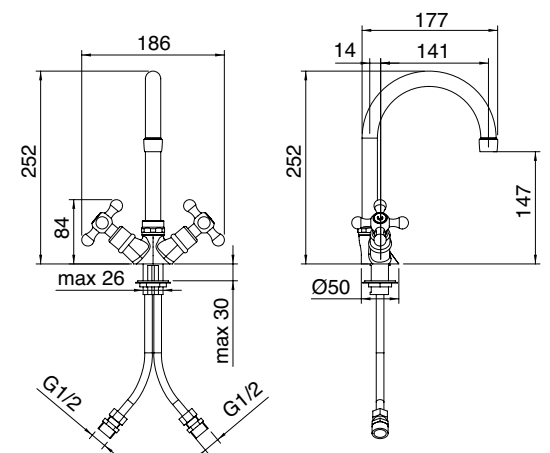


CC	IT 3631 CC PV ZZ	191,00
NL	IT 3631 NL PV ZZ	248,00
US	IT 3631 US PV ZZ	293,00
DD	IT 3631 DD PV ZZ	396,00
DZ	IT 3631 DZ PV ZZ	396,00
SZ	IT 3631 SZ PV ZZ	396,00

Monoforo lavello
Single hole sink mixer
Mélangeur évier monotrou
Spültisch-Einlochbatterie



ITRTVT101CC ITRTAE112_ 6 l/min



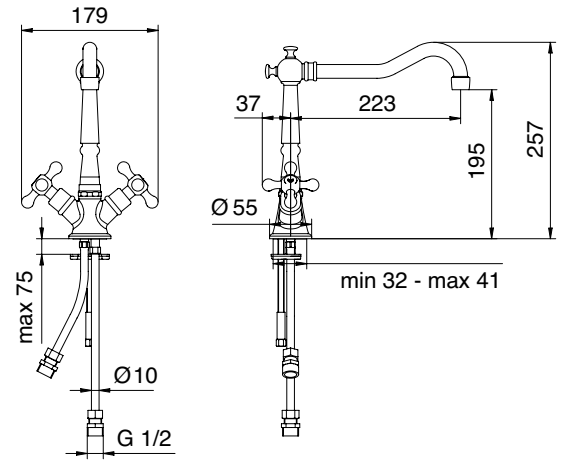


CC	IT 3638 CC PV ZZ	225,00
NL	IT 3638 NL PV ZZ	293,00
US	IT 3638 US PV ZZ	347,00
DD	IT 3638 DD PV ZZ	469,00
DZ	IT 3638 DZ PV ZZ	469,00
SZ	IT 3638 SZ PV ZZ	469,00

Monoforo lavello
Single hole sink mixer
Mélangeur évier monotrou
Spültisch-Einlochbatterie



ITRTVT101CC ITRTAE112_ 6l/min

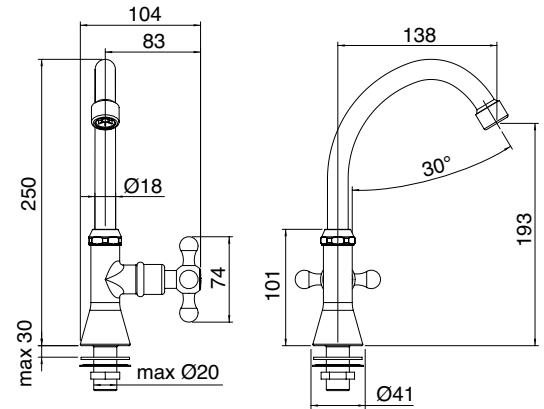


CC	IT 3633 CC PV ZZ	89,00
NL	IT 3633 NL PV ZZ	116,00
US	IT 3633 US PV ZZ	137,00
DD	IT 3633 DD PV ZZ	184,00
DZ	IT 3633 DZ PV ZZ	184,00
SZ	IT 3633 SZ PV ZZ	184,00

Monoforo lavello acqua fredda
Single hole cold water sink mixer
Robinet évier eau froide
Schwenkventil kalt Wasser



ITRTVT101CC ITRTAE112_ 6l/min



X-CHANGE

ELECTRONIC

SHOWERS &
THERMOSTATICS

PICCADILLY

OLD ITALY

ROMANTICA

BATH ACCESSORIES

KITCHEN

Concealed Parts - Accessories

Universal concealed boxes _	790
Installation bracket for plasterboard wall _	792
Watt - W-70s _ Concealed bodies _	794
Concealed bodies _	798
Thermostatic concealed bodies _	805
Extension kit _	808
Spare parts - Accessories _	814
Cartridges - Valves _	822
Aerators - Service keys _	826

Universal concealed boxes

X-CHANGE

ELECTRONIC

SHOWERS & THERMOSTATICS

PICCADILLY

OLD ITALY

ROMANTICA

BATH ACCESSORIES

KITCHEN

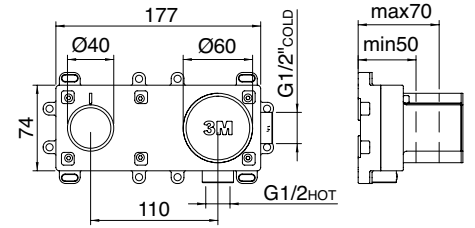
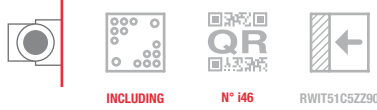
CONCEALED PARTS - ACCESSORIES

ZZ RWIT 51A5 ZZ 01 138,00

Miscelatore monocomando lavabo / doccia incasso - Parti incasso
 Concealed washbasin / shower mixer - Concealed body
 Mitigeur lavabo / douche à encastrer - Corps à encastrer
 Waschtischmischer / Brause EHM UP - Unterputzteil



ONLY  50mm

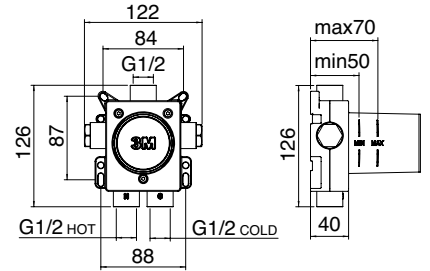
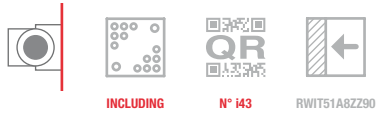


ZZ RWIT 51A8 ZZ 03 128,00

Miscelatore monocomando lavabo / doccia incasso - Parti incasso
 Concealed washbasin / shower mixer - Concealed body
 Mitigeur lavabo / douche à encastrer - Corps à encastrer
 Waschtischmischer / Brause EHM UP - Unterputzteil



ONLY  50mm

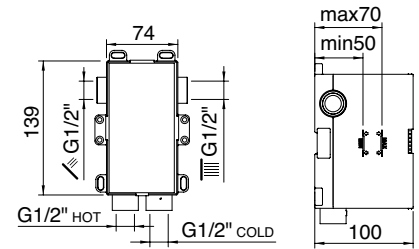


ZZ RWIT 51B1 ZZ 03 160,00

Miscelatore monocomando vasca/doccia incasso - Parti incasso
 Concealed bath/shower mixer with diverter - Concealed body
 Mitigeur bain/douche à encastrer avec inverseur - Corps à encastrer
 UP Wanne/Brause Einhebelmischer - Unterputzteil



ONLY  50mm

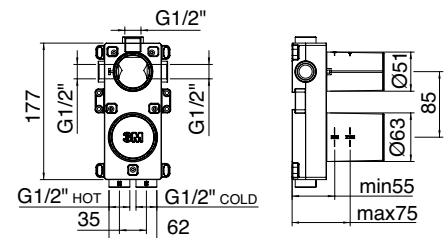


ZZ RWIT 22A2 ZZ 01 237,00

Miscelatore monocomando con deviatore 2/3 uscite - Parti incasso
 Concealed mixer with 2/3 ways diverter - Concealed body
 Mitigeur à encastrer avec inverseur à 2/3 sorties - Corps à encastrer
 EHM UP mit 2/3 Wege Umsteller - Unterputzteil



ONLY  55mm



Universal concealed boxes

ZZ RWIT 8A46 ZZ 20 309,00

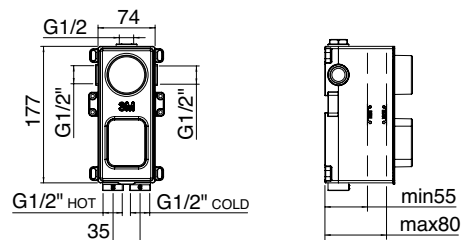
Termostatico incasso con deviatore 2/3 uscite - Parti incasso
 Concealed thermostatic with 2/3 ways diverter - Concealed body
 Thermostatique à encastrer avec inverseur à 2/3 sorties - Corps à encastrer
 UP-Thermostat 2/3 Wege Umsteller - Unterputzteil



ONLY  55mm

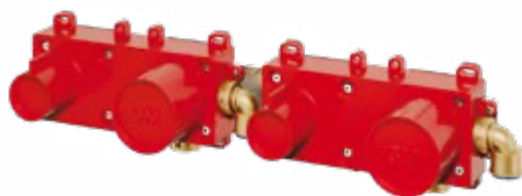


INCLUDING 2 IN - 2/3 OUT N° 12 N° 13 RWIT8A72ZZ90



ZZ RWIT 51D7 ZZ 12 305,00

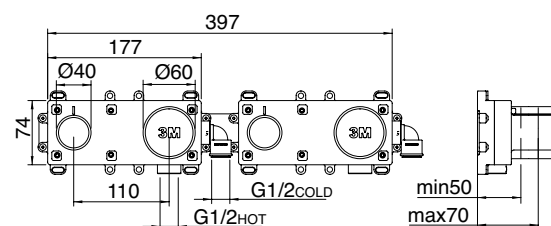
Miscelatore monocomando vasca/doccia incasso - Parti incasso
 Concealed bath/shower mixer - Concealed body
 Mitigeur bain/douche à encastrer - Corps à encastrer
 Wanne / Brause EHM UP - Unterputzteil



ONLY  50mm



INCLUDING N° 151 RWIT51D7ZZ50



ZZ RWIT 51D9 ZZ 01 293,00

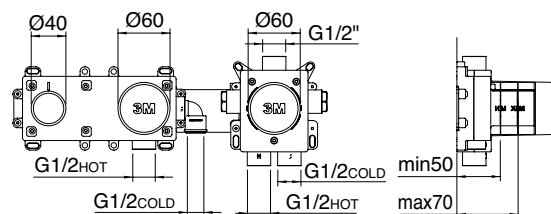
Miscelatore monocomando vasca/doccia incasso - Parti incasso
 Concealed bath/shower mixer - Concealed body
 Mitigeur bain/douche à encastrer - Corps à encastrer
 Wanne / Brause EHM UP - Unterputzteil



ONLY  50mm



INCLUDING N° 153 RWIT51D9ZZ50



ZZ RWIT 7AD5 ZZ 01 200,00

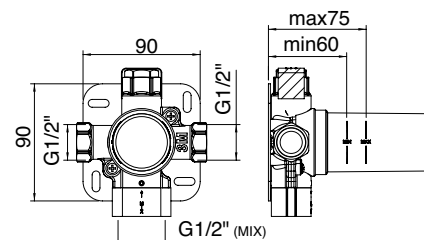
Deviatore incasso 2/3 uscite - Parti incasso
 2/3 ways concealed diverter - Concealed body
 Inverseur à encastrer à 2/3 sorties - Corps à encastrer
 2/3 Wege UP- Umsteller - Unterputzteil



ONLY  60mm

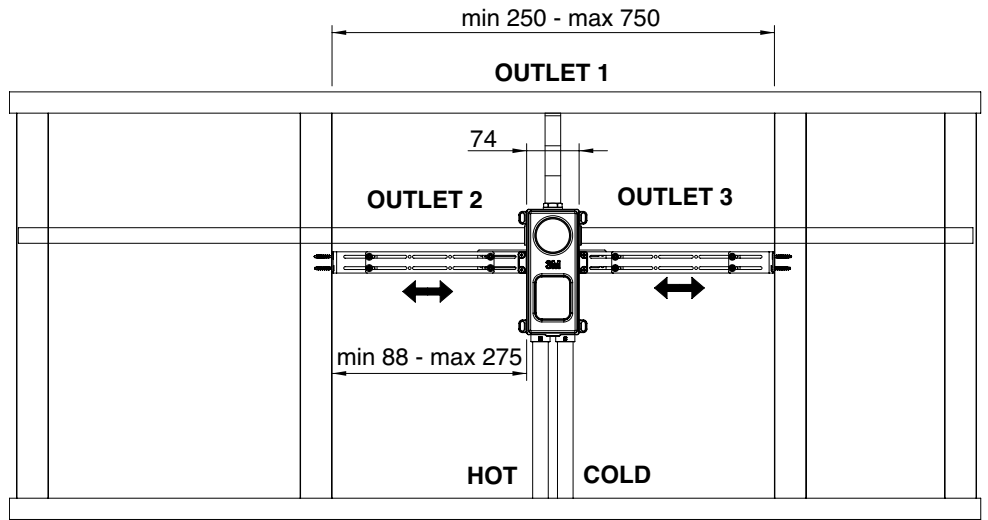
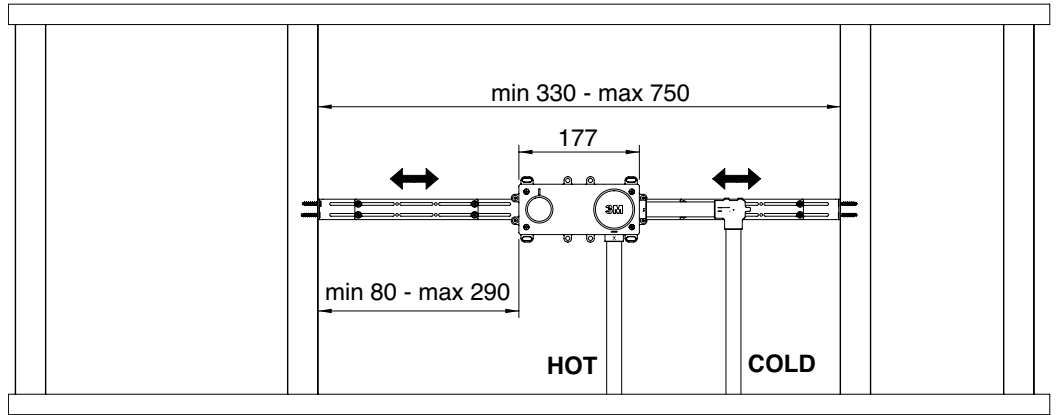
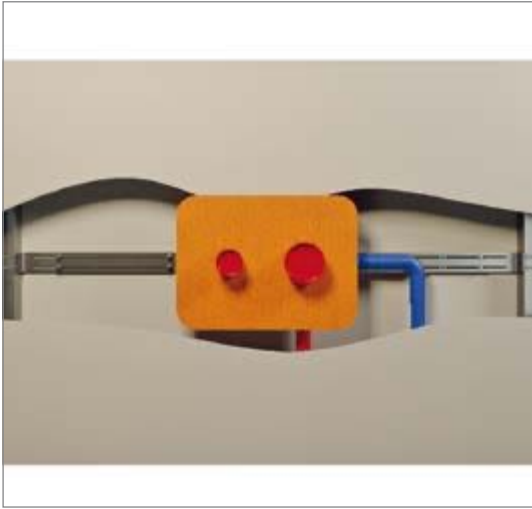


N° 15



Installation bracket for plasterboard wall

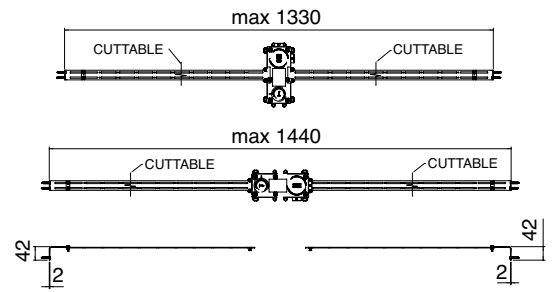
X-CHANGE
ELECTRONIC
SHOWERS & THERMOSTATICS
PICCADILLY
OLD ITALY
ROMANTICA
BATH ACCESSORIES
KITCHEN
CONCEALED PARTS - ACCESSORIES



ZZ RWIT 51C5 ZZ 90 93,00

Staffa cartogesso
Installation bracket for plasterboard wall
Système de fixation pour cloison en placo-plâtre
Montagehalterung für Gipskartonwand

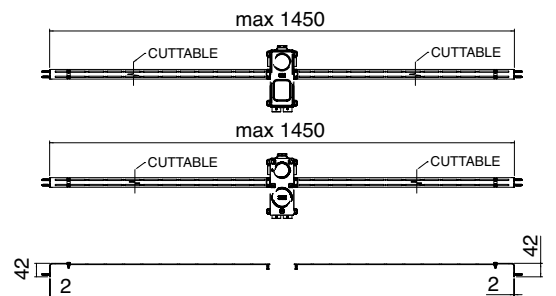
Art.: A5 / A6 / A7 / A9 / B2 / B3 / C5 / C6 / C7 / C9 / D2 / D3 / D4



ZZ RWIT 8A72 ZZ 90 87,00

Staffa cartogesso
Installation bracket for plasterboard wall
Système de fixation pour cloison en placo-plâtre
Montagehalterung für Gipskartonwand

Art.: A2 / A3 / B1 / C2 / C3 / 46 / 72

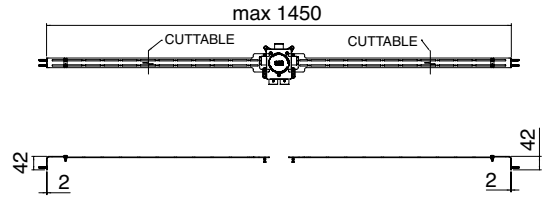


Installation bracket for plasterboard wall

ZZ RWIT 51A8 ZZ 90 87,00

Staffa cartogesso
Installation bracket for plasterboard wall
Système de fixation pour cloison en placo-plâtre
Montagehalterung für Gipskartonwand

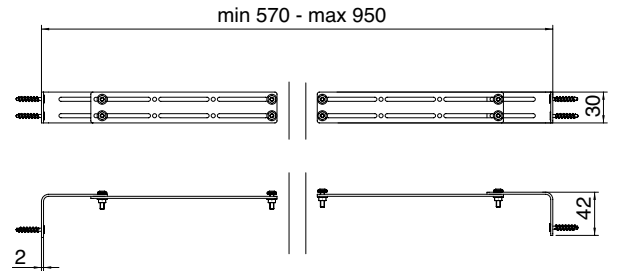
Art.: A8 / C8



ZZ RWIT 51D7 ZZ 50 38,00

Staffa cartogesso
Installation bracket for plasterboard wall
Système de fixation pour cloison en placo-plâtre
Montagehalterung für Gipskartonwand

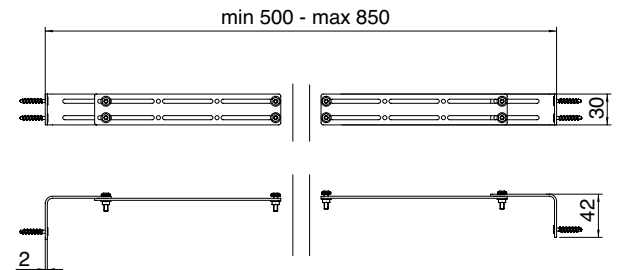
Art.: D7 / D8



ZZ RWIT 51D9 ZZ 50 38,00

Staffa cartogesso
Installation bracket for plasterboard wall
Système de fixation pour cloison en placo-plâtre
Montagehalterung für Gipskartonwand

Art.: D9



ZZ RWIT 0099 ZZ 60 150,00

Kit installazione braccio doccia
con staffa per cartongesso
Shower arm installation kit
with bracket for plasterboard
Kit de fixation avec barre
pour bras de douche sur placoplatre
Duscharm-Installationsatz
mit Halterung für Trockenbau



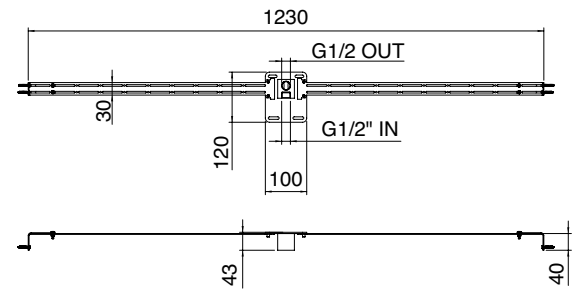
PLASTERBOARD
≤ 48mm



PLASTERBOARD
> 48mm



BRICK WALL



ZZ RWIT 0099 ZZ 70 60,00

Kit installazione braccio doccia
per cartongesso/muro
Shower arm installation kit
for plasterboard/wall
Kit de fixation pour bras de douche
sur placoplatre/mur en maçonnerie
Duscharm-Installationsatz
für Trockenbau/Ziegelmauer



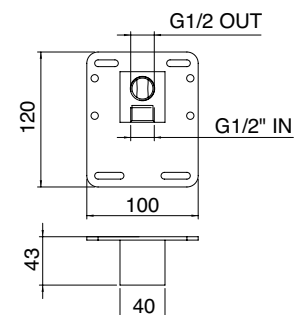
PLASTERBOARD
≤ 48mm



PLASTERBOARD
> 48mm



BRICK WALL

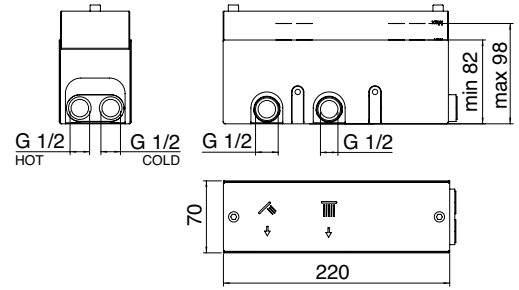


Watt - W-70s _ Concealed bodies



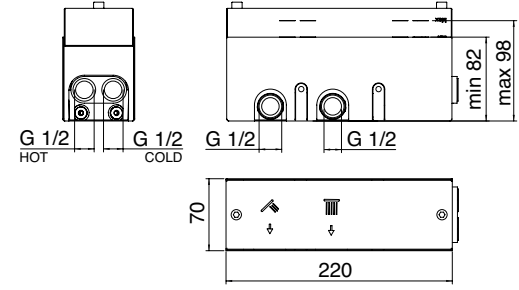
ZZ RWIT 2B86 ZZ 30 396,00

Termostatico incasso 2 uscite - Parti incasso
2 ways concealed thermostatic - Concealed body
Thermostatique à encastrer avec 2 sorties - Corps à encastrer
UP-Thermostat mit 2 Wege - Unterputzteil



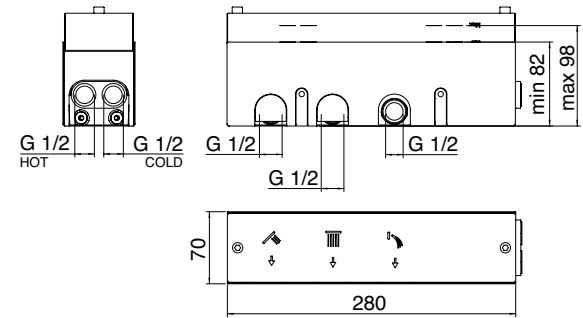
ZZ RWIT 2B89 ZZ 30 349,00

Miscelatore monocomando 2 uscite - Parti incasso
2 ways concealed mixer - Concealed body
Mitigeur à encastrer à 2 sorties - Corps à encastrer
EHM UP mit 2 Wege - Unterputzteil



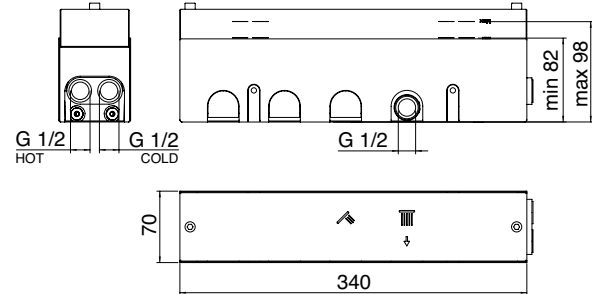
ZZ RWIT 2B90 ZZ 30 396,00

Miscelatore monocomando 3 uscite - Parti incasso
3 ways concealed mixer - Concealed body
Mitigeur à encastrer à 3 sorties - Corps à encastrer
EHM UP mit 3 Wege - Unterputzteil



ZZ RWIT 2B91 ZZ 30 396,00

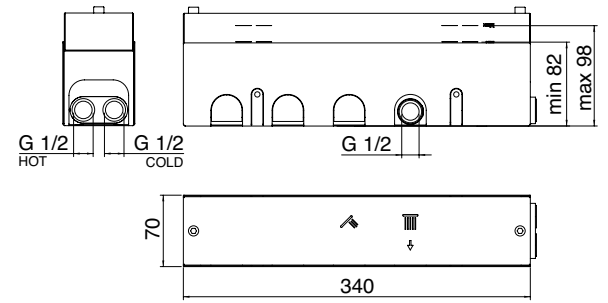
Miscelatore monocomando 2 uscite - Parti incasso
2 ways concealed mixer - Concealed body
Mitigeur à encastrer à 2 sorties - Corps à encastrer
EHM UP mit 2 Wege - Unterputzteil



Watt - W-70s _ Concealed bodies

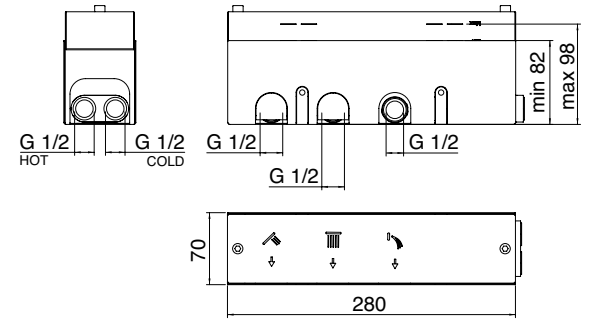
ZZ RWIT 2B92 ZZ 30 443,00

Termostatico incasso 2 uscite - Parti incasso
 2 ways concealed thermostatic - Concealed body
 Thermostatique à encastrer avec 2 sorties - Corps à encastrer
 UP-Thermostat mit 2 Wege - Unterputzteil



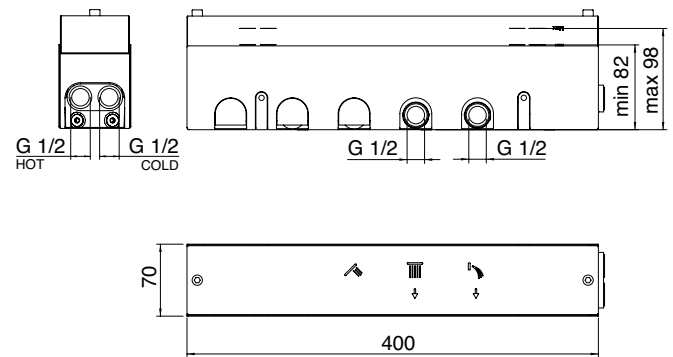
ZZ RWIT 2B94 ZZ 30 443,00

Termostatico incasso 3 uscite - Parti incasso
 3 ways concealed thermostatic - Concealed body
 Thermostatique à encastrer avec 3 sorties - Corps à encastrer
 UP-Thermostat mit 3 Wege - Unterputzteil



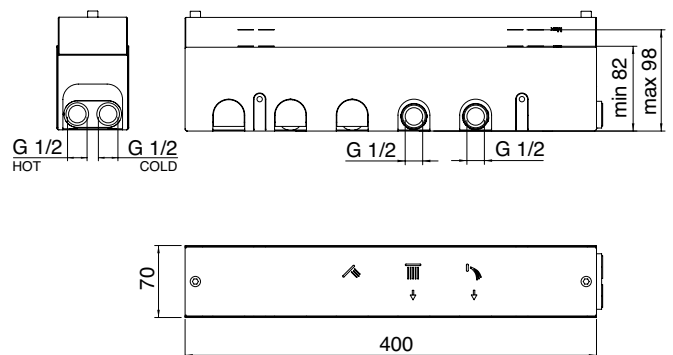
ZZ RWIT 2B97 ZZ 30 489,00

Miscelatore monocomando 3 uscite - Parti incasso
 3 ways concealed mixer - Concealed body
 Mitigeur à encastrer à 3 sorties - Corps à encastrer
 EHM UP mit 3 Wege - Unterputzteil



ZZ RWIT 2B98 ZZ 30 536,00

Termostatico incasso 3 uscite - Parti incasso
 3 ways concealed thermostatic - Concealed body
 Thermostatique à encastrer avec 3 sorties - Corps à encastrer
 UP-Thermostat mit 3 Wege - Unterputzteil



X-CHANGE

ELECTRONIC

SHOWERS & THERMOSTATICS

PICCADILLY

OLD ITALY

ROMANTICA

BATH ACCESSORIES

KITCHEN

CONCEALED PARTS - ACCESSORIES

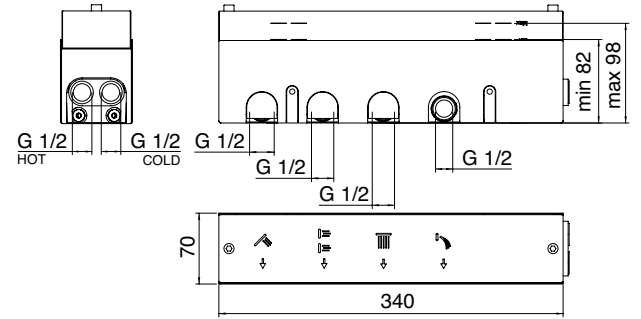
Watt - W-70s _ Concealed bodies

ZZ RWIT 2BE4 ZZ 30 489,00

Miscelatore monocomando 4 uscite - Parti incasso
4 ways concealed mixer - Concealed body
Mitigeur à encastrer à 4 sorties - Corps à encastrer
EHM UP mit 4 Wege - Unterputzteil



INCLUDING N° 65

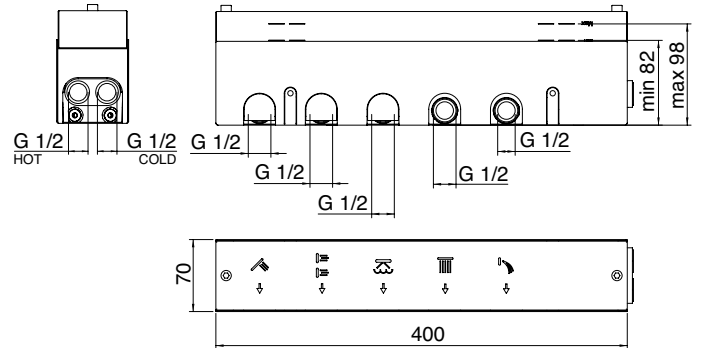


ZZ RWIT 2BE5 ZZ 30 536,00

Miscelatore monocomando 5 uscite - Parti incasso
5 ways concealed mixer - Concealed body
Mitigeur à encastrer à 5 sorties - Corps à encastrer
EHM UP mit 5 Wege - Unterputzteil



INCLUDING N° 65

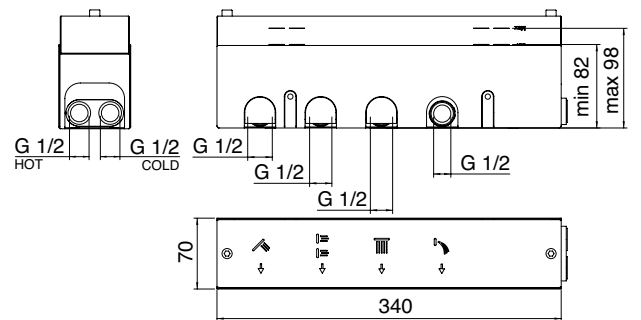


ZZ RWIT 2BF4 ZZ 30 536,00

Termostatico incasso 4 uscite - Parti incasso
4 ways concealed thermostatic - Concealed body
Thermostatique à encastrer avec 4 sorties - Corps à encastrer
UP-Thermostat mit 4 Wege - Unterputzteil



INCLUDING N° 65

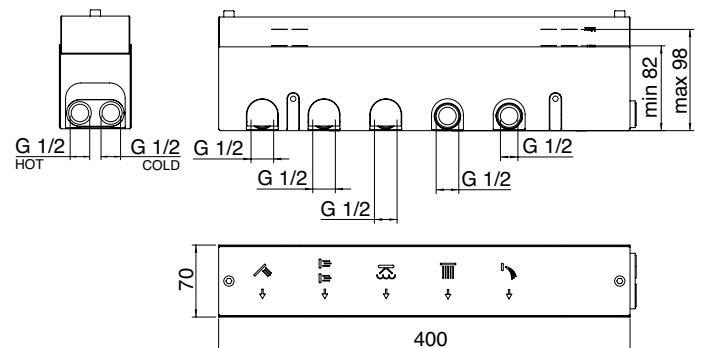


ZZ RWIT 2BF5 ZZ 30 582,00

Termostatico incasso 5 uscite - Parti incasso
5 ways concealed thermostatic - Concealed body
Thermostatique à encastrer avec 5 sorties - Corps à encastrer
UP-Thermostat mit 5 Wege - Unterputzteil



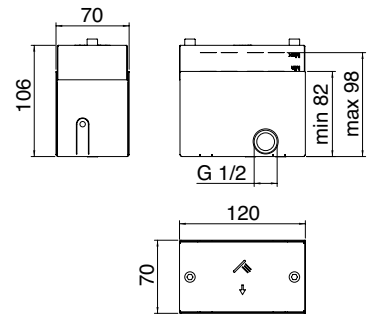
INCLUDING N° 65



Watt - W-70s _ Concealed bodies

ZZ RWIT 2BF6 ZZ 40 70,00

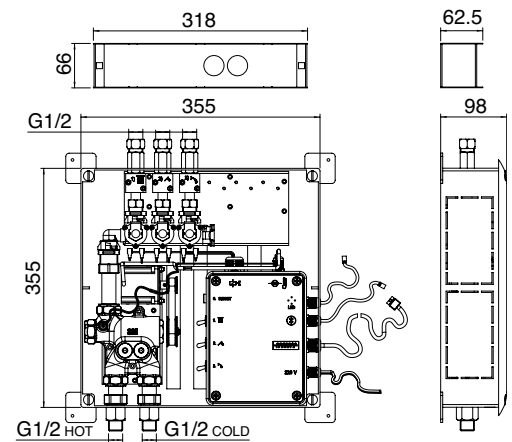
Kit gancio, flessibile, doccia - Parti incasso
 Hook, flexible and hand shower kit - Concealed body
 Kit support, flexible et douchette - Corps à encastrer
 Brausehalter, Schlauch und Handbrause - Unterputzteil



INCLUDING N° 65

ZZ RWIT 7B94 ZZ 30 2.077,00

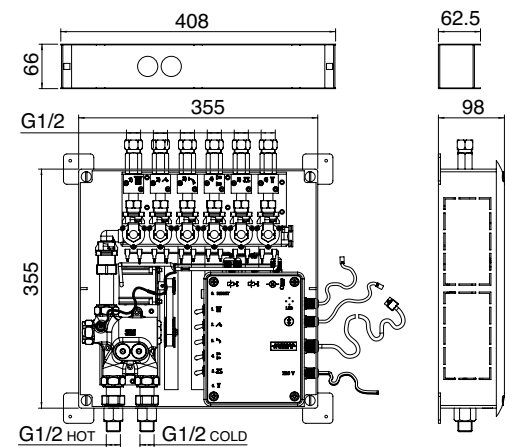
Termostatico incasso 2/3 uscite - Parti incasso
 2/3 ways concealed thermostatic - Concealed body
 Thermostatique à encastrer avec
 2/3 sorties - Corps à encastrer
 UP-Thermostat mit 2/3 Wege - Unterputzteil



INCLUDING N° 68

ZZ RWIT 7BF4 ZZ 30 2.279,00

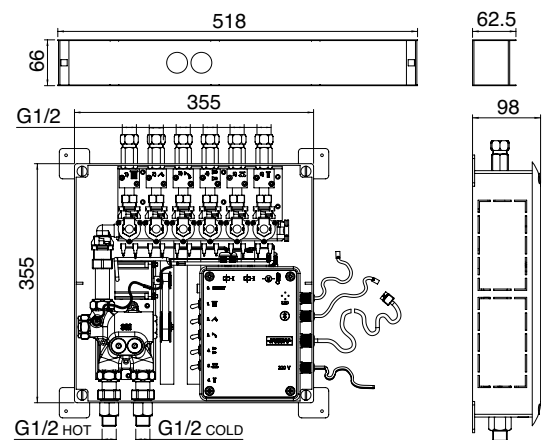
Termostatico incasso 4/5 uscite - Parti incasso
 4/5 ways concealed thermostatic - Concealed body
 Thermostatique à encastrer avec
 4/5 sorties - Corps à encastrer
 UP-Thermostat mit 4/5 Wege - Unterputzteil



INCLUDING N° 68

ZZ RWIT 7BF5 ZZ 30 2.479,00

Termostatico incasso 5/6 uscite - Parti incasso
 5/6 ways concealed thermostatic - Concealed body
 Thermostatique à encastrer avec
 5/6 sorties - Corps à encastrer
 UP-Thermostat mit 5/6 Wege - Unterputzteil



INCLUDING N° 68

X-CHANGE

ELECTRONIC

SHOWERS & THERMOSTATICS

PICCADILLY

OLD ITALY

ROMANTICA

BATH ACCESSORIES

KITCHEN

CONCEALED PARTS - ACCESSORIES

Concealed bodies

X-CHANGE

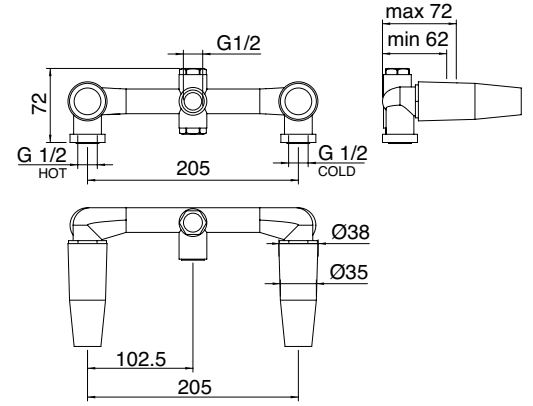
ELECTRONIC

SHOWERS & THERMOSTATICS



ZZ RWIT 0752 ZZ 04 219,00

Gruppo lavabo a muro - Parti incasso
 Concealed 3 hole washbasin - Concealed body
 Mélangeur lavabo à encastrer - Corps à encastrer
 UP-Waschtisch batterie - Unterputzteil



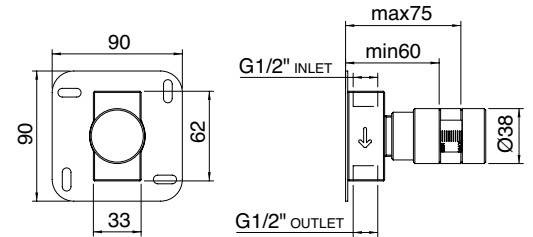
PICCADILLY

OLD ITALY



ZZ RWIT 1040 ZZ 01 87,00

Rubinetto d'arresto 1/2" - Parti incasso
 1/2" concealed stop valve - Concealed body
 Robinet d'arrêt 1/2" - Corps à encastrer
 UP-Ventil 1/2" - Unterputzteil



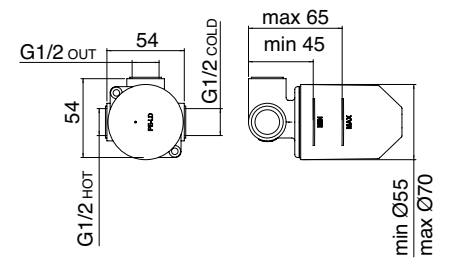
ROMANTICA

BATH ACCESSORIES



CC RWIT 2608 CC 70 58,00
NL RWIT 2608 NL 70 81,00
US RWIT 2608 US 70 99,00
DD RWIT 2608 DD 70 127,00
DZ RWIT 2608 DZ 70 127,00
SZ RWIT 2608 SZ 70 127,00

Miscelatore monocomando lavabo / doccia incasso - Parti incasso
 Concealed washbasin / shower mixer - Concealed body
 Mitigeur lavabo / douche à encastrer - Corps à encastrer
 Waschtischmischer / Brause EHM UP - Unterputzteil



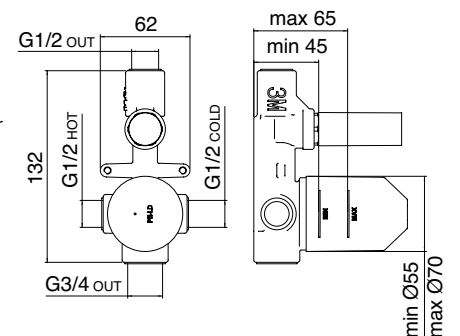
KITCHEN

CONCEALED PARTS - ACCESSORIES



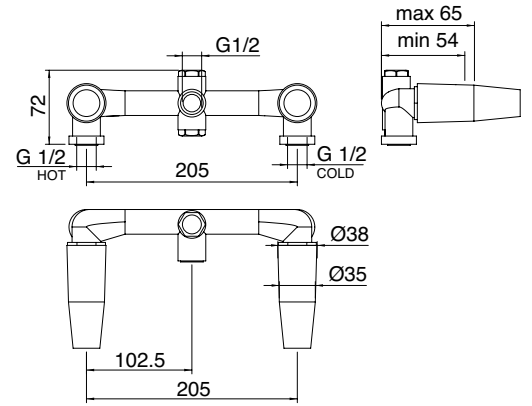
CC RWIT 2649 CC 70 77,00
NL RWIT 2649 NL 70 106,00
US RWIT 2649 US 70 130,00
DD RWIT 2649 DD 70 166,00
DZ RWIT 2649 DZ 70 166,00
SZ RWIT 2649 SZ 70 166,00

Miscelatore monocomando vasca/doccia incasso - Parti incasso
 Concealed bath/shower mixer with diverter - Concealed body
 Mitigeur bain/douche à encastrer avec inverseur - Corps à encastrer
 UP Wanne/Brause Einhebelmischer - Unterputzteil



ZZ RWIT 3652 ZZ 01 250,00

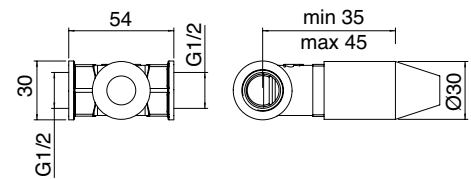
Gruppo lavabo a muro - Parti incasso
 Concealed 3 hole washbasin - Concealed body
 Mélangeur lavabo à encastrer - Corps à encastrer
 UP-Waschtisch batterie - Unterputzteil



N° 16

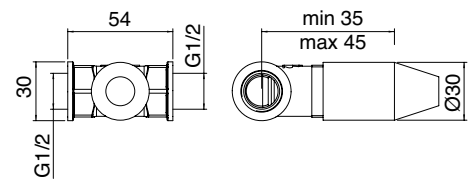
ZZ RWIT 4440 ZZ 01 38,00

Rubinetto d'arresto 1/2" - Parti incasso
 1/2" concealed stop valve - Concealed body
 Robinet d'arrêt 1/2" - Corps à encastrer
 UP-Ventil 1/2" - Unterputzteil



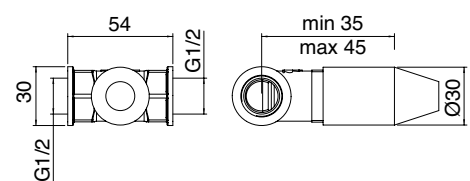
ZZ RWIT 4440 ZZ 02 38,00

Rubinetto d'arresto 1/2" - Parti incasso
 1/2" concealed stop valve - Concealed body
 Robinet d'arrêt 1/2" - Corps à encastrer
 UP-Ventil 1/2" - Unterputzteil



ZZ RWIT 4440 ZZ 72 38,00

Rubinetto d'arresto 1/2" - Parti incasso
 1/2" concealed stop valve - Concealed body
 Robinet d'arrêt 1/2" - Corps à encastrer
 UP-Ventil 1/2" - Unterputzteil



Concealed bodies

X-CHANGE

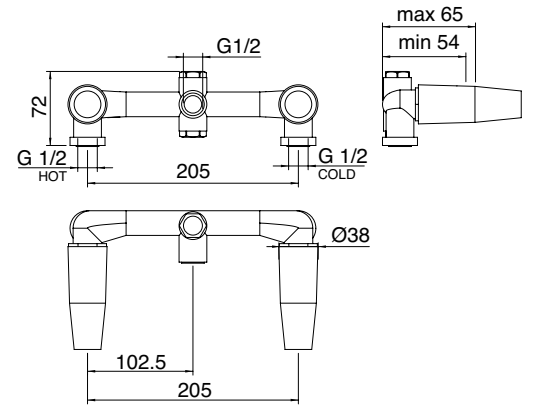
ELECTRONIC

SHOWERS & THERMOSTATICS



ZZ RWIT 4452 ZZ 03 250,00

Gruppo lavabo a muro - Parti incasso
 Concealed 3 hole washbasin - Concealed body
 Mélangeur lavabo à encastrer - Corps à encastrer
 UP-Waschtisch batterie - Unterputzteil



PICCADILLY

OLD ITALY

ROMANTICA

BATH ACCESSORIES

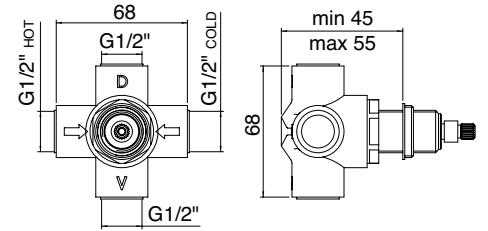
KITCHEN

CONCEALED PARTS - ACCESSORIES



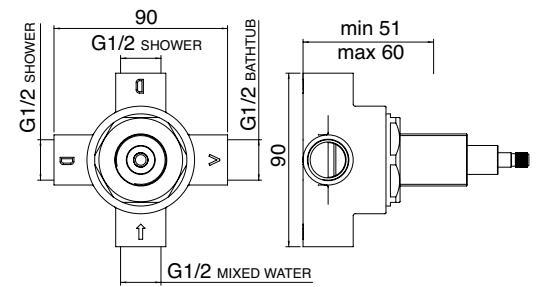
ZZ RWIT 4462 ZZ 72 67,00

Deviatore incasso 2 uscite - Parti incasso
 2 ways concealed diverter - Concealed body
 Inverseur à encastrer à 2 sorties - Corps à encastrer
 2 Wege UP- Umsteller - Unterputzteil



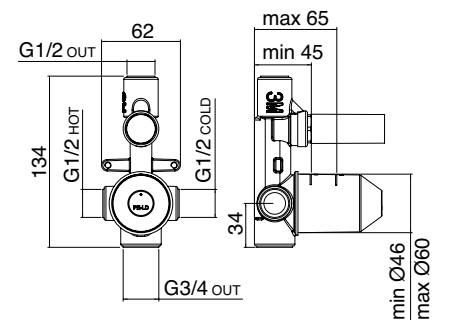
ZZ RWIT 4465 ZZ 72 140,00

Deviatore incasso 2 uscite - Parti incasso
 2 ways concealed diverter - Concealed body
 Inverseur à encastrer à 2 sorties - Corps à encastrer
 2 Wege UP- Umsteller - Unterputzteil



- CC** RWIT 5449 CC 70 137,00
- NN** RWIT 5449 NN 70 183,00
- BB** RWIT 5449 BB 70 183,00
- NL** RWIT 5449 NL 70 179,00
- NF** RWIT 5449 NF 70 179,00
- HH** RWIT 5449 HH 70 211,00
- CZ** RWIT 5449 CZ 70 211,00
- US** RWIT 5449 US 70 211,00
- UZ** RWIT 5449 UZ 70 211,00
- DD** RWIT 5449 DD 70 285,00
- DZ** RWIT 5449 DZ 70 285,00

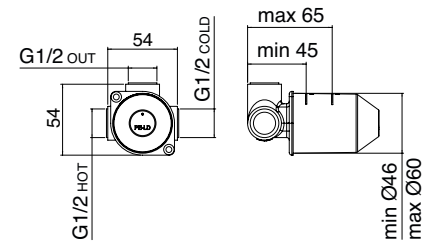
Miscelatore monocomando vasca/doccia incasso - Parti incasso
 Concealed bath/shower mixer with diverter - Concealed body
 Mitigeur bain/douche à encastrer avec inverseur - Corps à encastrer
 UP Wanne/Brause Einhebelmischer - Unterputzteil



CC	RWIT 5459 CC 70	62,00
NN	RWIT 5459 NN 70	83,00
BB	RWIT 5459 BB 70	83,00
NL	RWIT 5459 NL 70	82,00
NF	RWIT 5459 NF 70	82,00
HH	RWIT 5459 HH 70	95,00
CZ	RWIT 5459 CZ 70	95,00
US	RWIT 5459 US 70	95,00
UZ	RWIT 5459 UZ 70	95,00
DD	RWIT 5459 DD 70	129,00
DZ	RWIT 5459 DZ 70	129,00

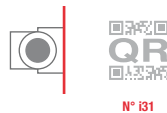
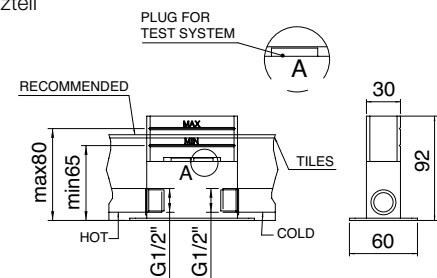


Miscelatore monocomando lavabo / doccia incasso - Parti incasso
 Concealed washbasin / shower mixer - Concealed body
 Mitigeur lavabo / douche à encastrer - Corps à encastrer
 Waschtischmischer / Brause EHM UP - Unterputzteil



ZZ	RWIT 5703 ZZ 07	212,00
----	-----------------	--------

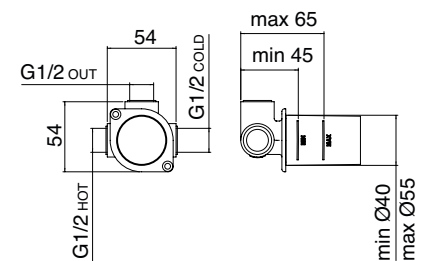
Miscelatore lavabo / vasca da terra - Parti incasso
 Floor standing washbasin / bathtub mixer - Concealed body
 Mitigeur lavabo / bain sur colonne au sol - Corps à encastrer
 Waschtisch / Wanne -Einhebelmischer Standarmatur - Unterputzteil



CC	RWIT 6A08 CC 70	57,00
NN	RWIT 6A08 NN 70	77,00
BB	RWIT 6A08 BB 70	77,00
NL	RWIT 6A08 NL 70	75,00
NF	RWIT 6A08 NF 70	75,00
KK	RWIT 6A08 KK 70	89,00
CZ	RWIT 6A08 CZ 70	89,00
HH	RWIT 6A08 HH 70	89,00
US	RWIT 6A08 US 70	89,00
UZ	RWIT 6A08 UZ 70	89,00
DZ	RWIT 6A08 DZ 70	119,00
SZ	RWIT 6A08 SZ 70	119,00



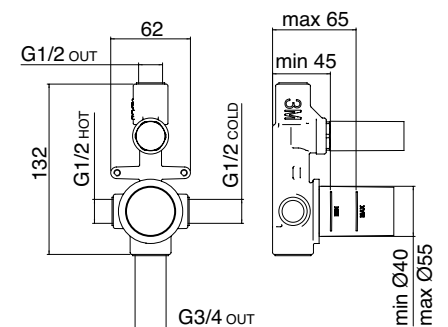
Miscelatore monocomando lavabo / doccia incasso - Parti incasso
 Concealed washbasin / shower mixer - Concealed body
 Mitigeur lavabo / douche à encastrer - Corps à encastrer
 Waschtischmischer / Brause EHM UP - Unterputzteil



CC	RWIT 6A49 CC 70	141,00
NN	RWIT 6A49 NN 70	187,00
BB	RWIT 6A49 BB 70	187,00
NL	RWIT 6A49 NL 70	183,00
NF	RWIT 6A49 NF 70	183,00
KK	RWIT 6A49 KK 70	216,00
CZ	RWIT 6A49 CZ 70	216,00
HH	RWIT 6A49 HH 70	216,00
US	RWIT 6A49 US 70	216,00
UZ	RWIT 6A49 UZ 70	216,00
DZ	RWIT 6A49 DZ 70	292,00
SZ	RWIT 6A49 SZ 70	292,00



Miscelatore monocomando vasca/doccia incasso - Parti incasso
 Concealed bath/shower mixer with diverter - Concealed body
 Mitigeur bain/douche à encastrer avec inverseur - Corps à encastrer
 UP Wanne/Brause Einhebelmischer - Unterputzteil



Concealed bodies

X-CHANGE

ELECTRONIC

SHOWERS & THERMOSTATICS

PICCADILLY

OLD ITALY

ROMANTICA

BATH ACCESSORIES

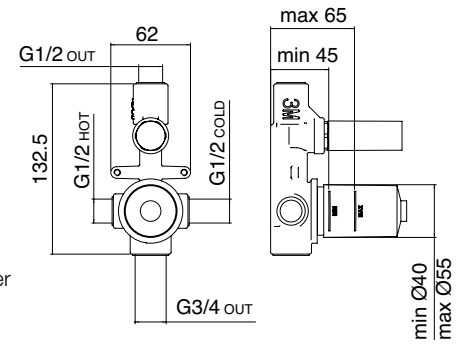
KITCHEN

CONCEALED PARTS - ACCESSORIES



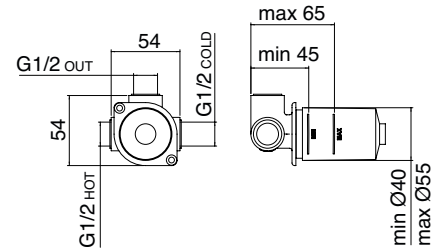
CC	RWIT 6B49 CC 70	148,00
NN	RWIT 6B49 NN 70	196,00
BB	RWIT 6B49 BB 70	196,00
NL	RWIT 6B49 NL 70	192,00
NF	RWIT 6B49 NF 70	192,00
KK	RWIT 6B49 KK 70	227,00
CZ	RWIT 6B49 CZ 70	227,00
HH	RWIT 6B49 HH 70	227,00
US	RWIT 6B49 US 70	227,00
UZ	RWIT 6B49 UZ 70	227,00
DD	RWIT 6B49 DD 70	306,00
DZ	RWIT 6B49 DZ 70	306,00
SZ	RWIT 6B49 SZ 70	306,00

Miscelatore monocomando vasca/doccia incasso - Parti incasso
 Concealed bath/shower mixer with diverter - Concealed body
 Mitigeur bain/douche à encastrer avec inverseur - Corps à encastrer
 UP Wanne/Brause Einhebelmischer - Unterputzteil



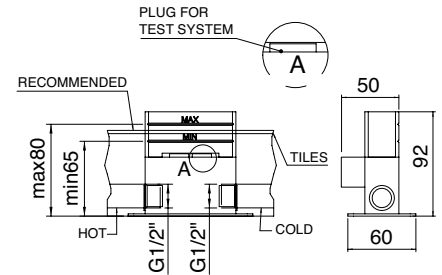
CC	RWIT 6B59 CC 70	65,00
NN	RWIT 6B59 NN 70	88,00
BB	RWIT 6B59 BB 70	88,00
NL	RWIT 6B59 NL 70	86,00
NF	RWIT 6B59 NF 70	86,00
KK	RWIT 6B59 KK 70	100,00
CZ	RWIT 6B59 CZ 70	100,00
HH	RWIT 6B59 HH 70	100,00
US	RWIT 6B59 US 70	100,00
UZ	RWIT 6B59 UZ 70	100,00
DD	RWIT 6B59 DD 70	135,00
DZ	RWIT 6B59 DZ 70	135,00
SZ	RWIT 6B59 SZ 70	135,00

Miscelatore monocomando lavabo / doccia incasso - Parti incasso
 Concealed washbasin / shower mixer - Concealed body
 Mitigeur lavabo / douche à encastrer - Corps à encastrer
 Waschtischmischer / Brause EHM UP - Unterputzteil



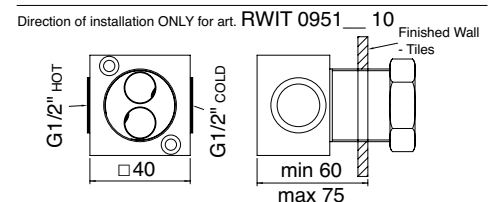
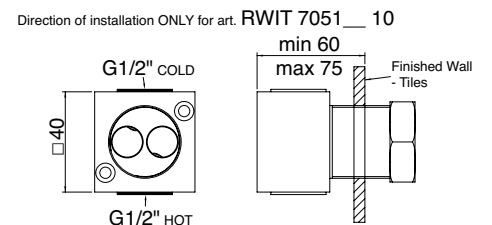
ZZ	RWIT 7003 ZZ 09	253,00
----	-----------------	--------

Miscelatore lavabo / vasca da terra - Parti incasso
 Floor standing washbasin / bathtub mixer - Concealed body
 Mitigeur lavabo / bain sur colonne au sol - Corps à encastrer
 Waschtisch / Wanne -Einhebelmischer Standarmatur - Unterputzteil



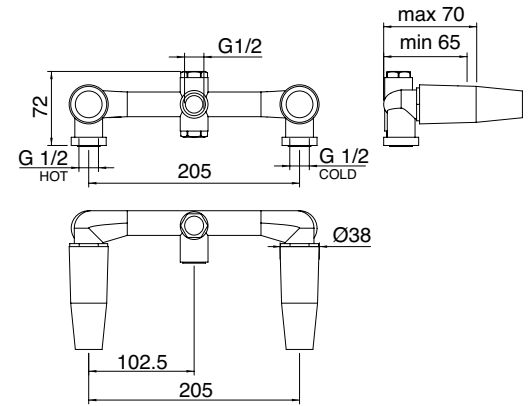
ZZ	RWIT 7051 ZZ 07	141,00
----	-----------------	--------

Miscelatore monocomando lavabo incasso - Parti incasso
 Concealed washbasin mixer - Concealed body
 Mitigeur lavabo à encastrer - Corps à encastrer
 UP-Einhand-Waschtischmischer - Unterputzteil



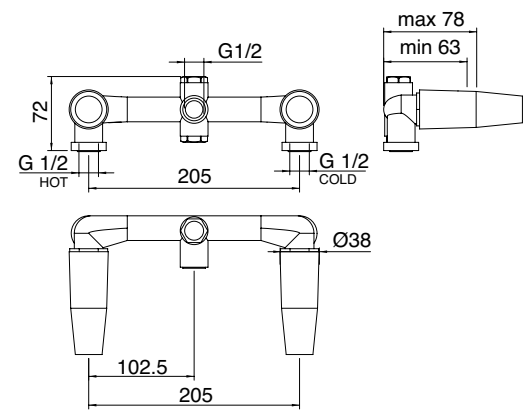
ZZ RWIT 7252 ZZ 01 155,00

Gruppo lavabo a muro - Parti incasso
 Concealed 3 hole washbasin - Concealed body
 Mélangeur lavabo à encastrer - Corps à encastrer
 UP-Waschtisch batterie - Unterputzteil



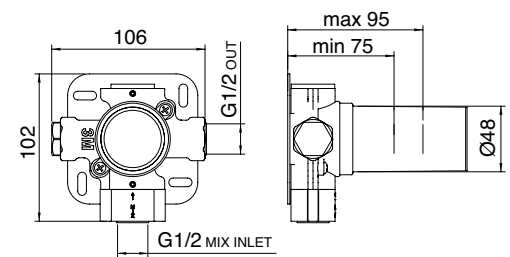
ZZ RWIT 7252 ZZ 53 133,00

Gruppo lavabo a muro - Parti incasso
 Concealed 3 hole washbasin - Concealed body
 Mélangeur lavabo à encastrer - Corps à encastrer
 UP-Waschtisch batterie - Unterputzteil



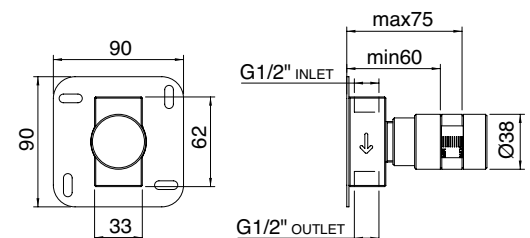
ZZ RWIT 72B6 ZZ 01 290,00

Rubinetto d'arresto 1/2" - Parti incasso
 1/2" concealed stop valve - Concealed body
 Robinet d'arrêt 1/2" - Corps à encastrer
 UP-Ventil 1/2" - Unterputzteil



ZZ RWIT 7A40 ZZ 01 87,00

Rubinetto d'arresto 1/2" - Parti incasso
 1/2" concealed stop valve - Concealed body
 Robinet d'arrêt 1/2" - Corps à encastrer
 UP-Ventil 1/2" - Unterputzteil



Concealed bodies

X-CHANGE

ELECTRONIC

SHOWERS & THERMOSTATICS

PICCADILLY

OLD ITALY

ROMANTICA

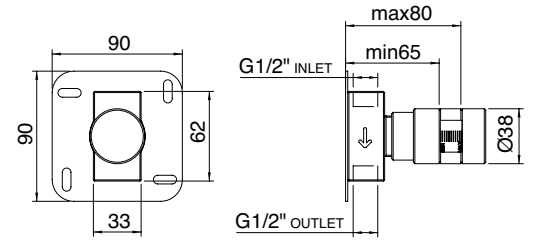
BATH ACCESSORIES

KITCHEN

CONCEALED PARTS - ACCESSORIES

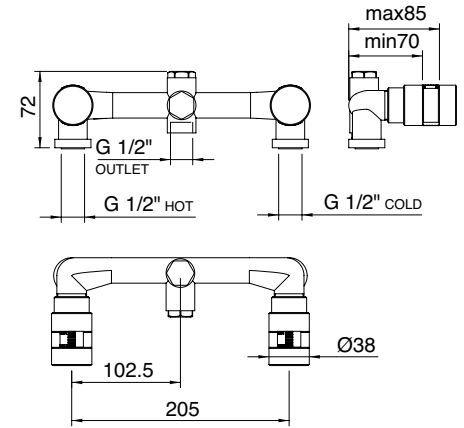
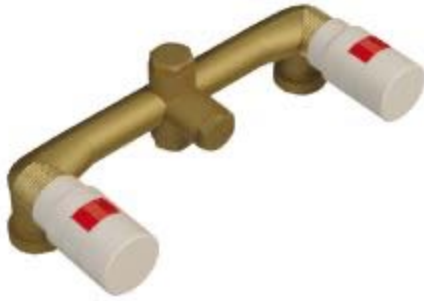
ZZ RWIT 7A40 ZZ 02 87,00

Rubinetto d'arresto 1/2" - Parti incasso
 1/2" concealed stop valve - Concealed body
 Robinet d'arrêt 1/2" - Corps à encastrer
 UP-Ventil 1/2" - Unterputzteil



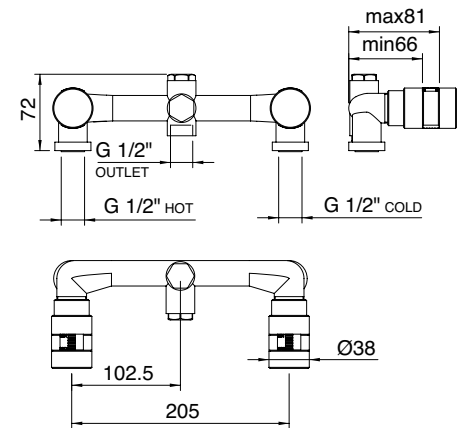
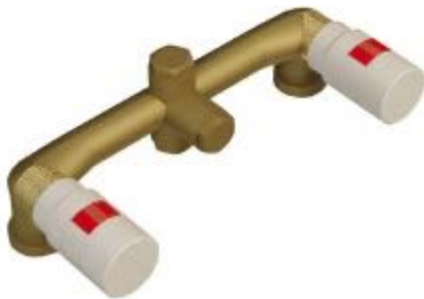
ZZ RWIT 7A52 ZZ 02 133,00

Gruppo lavabo a muro - Parti incasso
 Concealed 3 hole washbasin - Concealed body
 Mélangeur lavabo à encastrer - Corps à encastrer
 UP-Waschtisch batterie - Unterputzteil



ZZ RWIT 7A60 ZZ 02 133,00

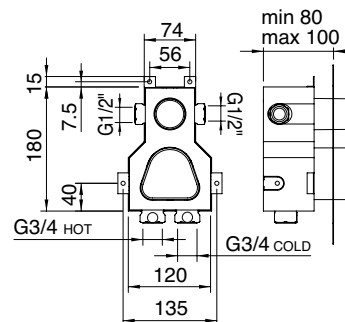
Gruppo lavabo a muro - Parti incasso
 Concealed 3 hole washbasin - Concealed body
 Mélangeur lavabo à encastrer - Corps à encastrer
 UP-Waschtisch batterie - Unterputzteil



Thermostatic concealed bodies

ZZ RWIT 7287 ZZ 30 458,00

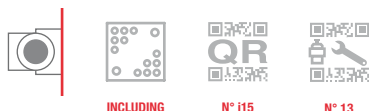
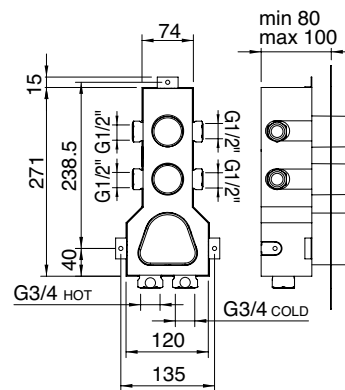
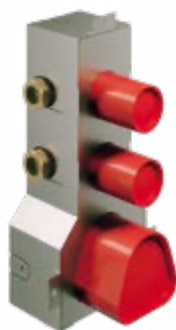
Termostatico incasso 1 uscita - Parti incasso
 1 way concealed thermostatic - Concealed body
 Thermostatique à encastrer avec 1 sortie - Corps à encastrer
 UP-Thermostat mit 1 Weg - Unterputzteil



INCLUDING N° i15 N° 13

ZZ RWIT 7286 ZZ 30 680,00

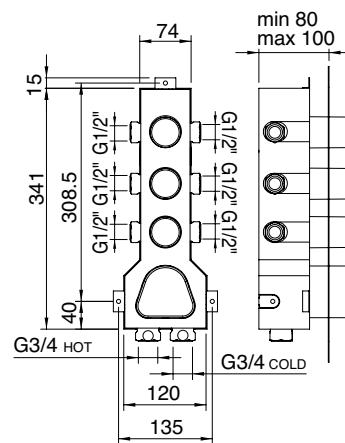
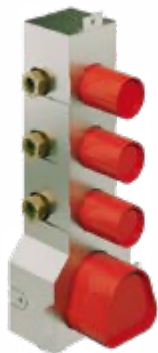
Termostatico incasso 2 uscite - Parti incasso
 2 ways concealed thermostatic - Concealed body
 Thermostatique à encastrer avec 2 sorties - Corps à encastrer
 UP-Thermostat mit 2 Wege - Unterputzteil



INCLUDING N° i15 N° 13

ZZ RWIT 7294 ZZ 30 855,00

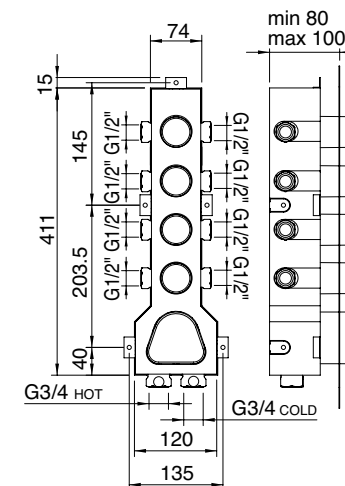
Termostatico incasso 3 uscite - Parti incasso
 3 ways concealed thermostatic - Concealed body
 Thermostatique à encastrer avec 3 sorties - Corps à encastrer
 UP-Thermostat mit 3 Wege - Unterputzteil



INCLUDING N° i15 N° 13

ZZ RWIT 7297 ZZ 30 1.030,00

Termostatico incasso 4 uscite - Parti incasso
 4 ways concealed thermostatic - Concealed body
 Thermostatique à encastrer avec 4 sorties - Corps à encastrer
 UP-Thermostat mit 4 Wege - Unterputzteil



INCLUDING N° i15 N° 13

X-CHANGE

ELECTRONIC

SHOWERS & THERMOSTATICS

PICCADILLY

OLD ITALY

ROMANTICA

BATH ACCESSORIES

KITCHEN

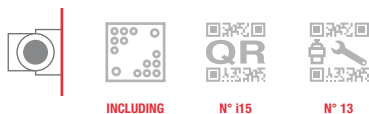
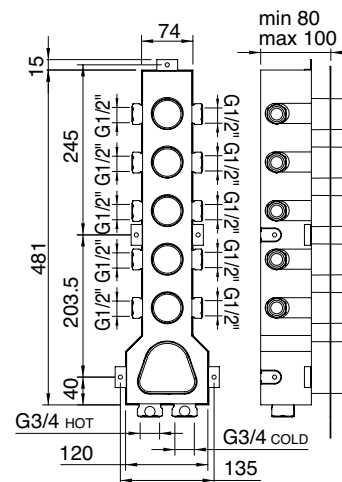
CONCEALED PARTS - ACCESSORIES

Thermostatic concealed bodies

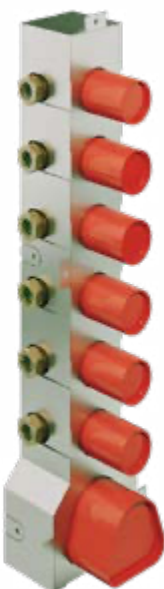


ZZ RWIT 7298 ZZ 30 1.205,00

Termostatico incasso 5 uscite - Parti incasso
 5 ways concealed thermostatic - Concealed body
 Thermostatique à encastrer avec 5 sorties - Corps à encastrer
 UP-Thermostat mit 5 Wege - Unterputzteil

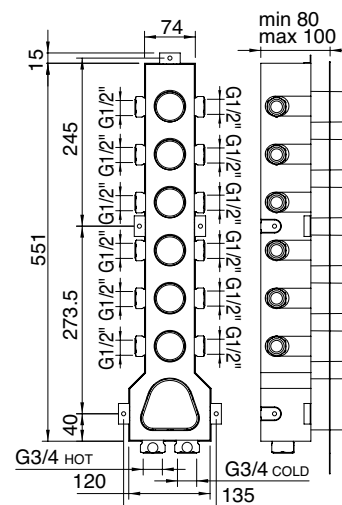


INCLUDING N° 115 N° 13



ZZ RWIT 7264 ZZ 30 1.380,00

Termostatico incasso 6 uscite - Parti incasso
 6 ways concealed thermostatic - Concealed body
 Thermostatique à encastrer avec 6 sorties - Corps à encastrer
 UP-Thermostat mit 6 Wege - Unterputzteil

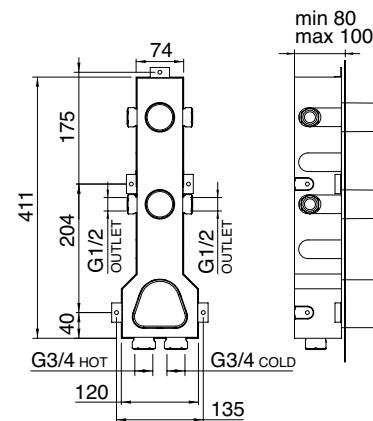


INCLUDING N° 115 N° 13



ZZ RWIT 7274 ZZ 40 762,00

Termostatico incasso 2 uscite - Parti incasso
 2 ways concealed thermostatic - Concealed body
 Thermostatique à encastrer avec 2 sorties - Corps à encastrer
 UP-Thermostat mit 2 Wege - Unterputzteil



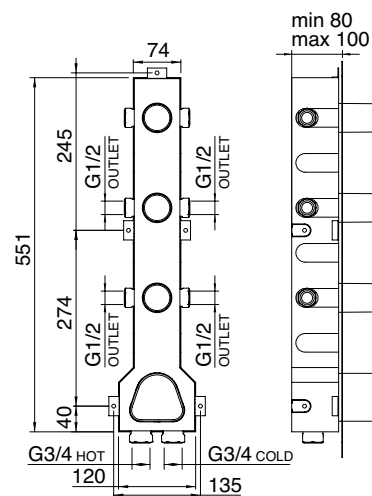
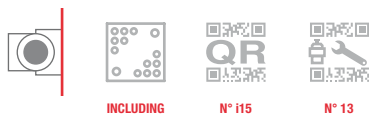
INCLUDING N° 115 N° 13

X-CHANGE
 ELECTRONIC
 SHOWERS & THERMOSTATICS
 PICCADILLY
 OLD ITALY
 ROMANTICA
 BATH ACCESSORIES
 KITCHEN
 CONCEALED PARTS - ACCESSORIES

Thermostatic concealed bodies

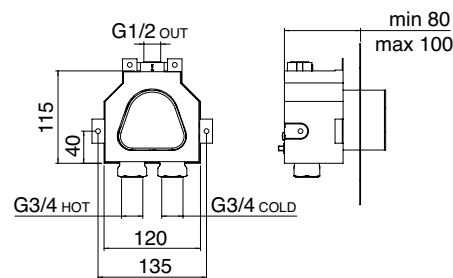
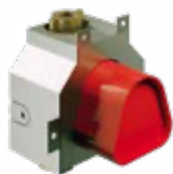
ZZ RWIT 7275 ZZ 40 937,00

Termostatico incasso 3 uscite - Parti incasso
 3 ways concealed thermostatic - Concealed body
 Thermostatique à encastrer avec 3 sorties - Corps à encastrer
 UP-Thermostat mit 3 Wege - Unterputzteil



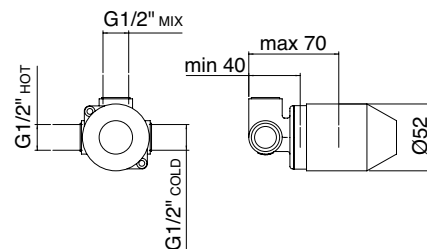
ZZ RWIT 7286 ZZ 70 308,00

Termostatico incasso - Parti incasso
 Concealed thermostatic - Concealed body
 Thermostatique à encastrer - Corps à encastrer
 UP-Thermostat - Unterputzteil



- CC** RWIT 7582 CC 02 142,00
- NN** RWIT 7582 NN 02 189,00
- BB** RWIT 7582 BB 02 189,00
- NL** RWIT 7582 NL 02 185,00
- NF** RWIT 7582 NF 02 185,00
- HH** RWIT 7582 HH 02 219,00
- CZ** RWIT 7582 CZ 02 219,00
- US** RWIT 7582 US 02 219,00
- UZ** RWIT 7582 UZ 02 219,00
- KK** RWIT 7582 KK 02 219,00
- DD** RWIT 7582 DD 02 295,00
- DZ** RWIT 7582 DZ 02 295,00
- SZ** RWIT 7582 SZ 02 295,00

Termostatico incasso COAX - Parti incasso
 Concealed thermostatic COAX - Concealed body
 Thermostatique à encastrer COAX - Corps à encastrer
 UP-Thermostat COAX - Unterputzteil



X-CHANGE
 ELECTRONIC
 SHOWERS & THERMOSTATICS
 PICCADILLY
 OLD ITALY
 ROMANTICA
 BATH ACCESSORIES
 KITCHEN
 CONCEALED PARTS - ACCESSORIES

Extension kit



ZZ RWDU 7352 ZZ 02 85,00
 Prolunga 2,5 cm
 Extension kit 2,5 cm
 Kit de rallonge 2,5 cm
 Verlängerung 2,5 cm



CC RWIT 22A2 CC 06 102,00
NN RWIT 22A2 NN 06 136,00
BB RWIT 22A2 BB 06 136,00
NL RWIT 22A2 NL 06 133,00
NF RWIT 22A2 NF 06 133,00
HH RWIT 22A2 HH 06 158,00
CZ RWIT 22A2 CZ 06 158,00
US RWIT 22A2 US 06 158,00
UZ RWIT 22A2 UZ 06 158,00
KK RWIT 22A2 KK 06 158,00
DD RWIT 22A2 DD 06 213,00
DZ RWIT 22A2 DZ 06 213,00
SZ RWIT 22A2 SZ 06 213,00

Prolunga 2,5 cm
 Extension kit 2,5 cm
 Kit de rallonge 2,5 cm
 Verlängerung 2,5 cm



CC RWIT 2608 CC 25 88,00
NN RWIT 2608 NN 25 118,00
BB RWIT 2608 BB 25 118,00
NL RWIT 2608 NL 25 115,00
NF RWIT 2608 NF 25 115,00
HH RWIT 2608 HH 25 135,00
CZ RWIT 2608 CZ 25 135,00
US RWIT 2608 US 25 135,00
UZ RWIT 2608 UZ 25 135,00
KK RWIT 2608 KK 25 135,00
DD RWIT 2608 DD 25 183,00
DZ RWIT 2608 DZ 25 183,00
SZ RWIT 2608 SZ 25 183,00

Prolunga 3 cm
 Extension kit 3 cm
 Kit de rallonge 3 cm
 Verlängerung 3 cm



CC RWIT 2649 CC 50 181,00
NL RWIT 2649 NL 50 234,00
US RWIT 2649 US 50 278,00
DD RWIT 2649 DD 50 374,00
DZ RWIT 2649 DZ 50 374,00
SZ RWIT 2649 SZ 50 374,00

Prolunga 2,5 cm
 Extension kit 2,5 cm
 Kit de rallonge 2,5 cm
 Verlängerung 2,5 cm



CC	RWIT 2B86 CC 55	102,00
NN	RWIT 2B86 NN 55	136,00
BB	RWIT 2B86 BB 55	136,00
NL	RWIT 2B86 NL 55	133,00
NF	RWIT 2B86 NF 55	133,00
HH	RWIT 2B86 HH 55	158,00
CZ	RWIT 2B86 CZ 55	158,00
DD	RWIT 2B86 DD 55	213,00
DZ	RWIT 2B86 DZ 55	213,00
SZ	RWIT 2B86 SZ 55	213,00

Prolunga 2,5 cm
 Extension kit 2,5 cm
 Kit de rallonge 2,5 cm
 Verlängerung 2,5 cm

ZZ	RWIT 2B89 ZZ 50	60,00
-----------	-----------------	-------

Prolunga 2,5 cm
 Extension kit 2,5 cm
 Kit de rallonge 2,5 cm
 Verlängerung 2,5 cm



ZZ	RWIT 2B89 ZZ 55	52,00
-----------	-----------------	-------

Prolunga 2,5 cm
 Extension kit 2,5 cm
 Kit de rallonge 2,5 cm
 Verlängerung 2,5 cm



ZZ	RWIT 2B92 ZZ 50	55,00
-----------	-----------------	-------

Prolunga 2,5 cm
 Extension kit 2,5 cm
 Kit de rallonge 2,5 cm
 Verlängerung 2,5 cm



Extension kit

ZZ RWIT 3652 ZZ 50 86,00

Prolunga 2,5 cm
Extension kit 2,5 cm
Kit de rallonge 2,5 cm
Verlängerung 2,5 cm



ZZ RWIT 51A5 ZZ 80 60,00

Prolunga 1,5 cm
Extension kit 1,5 cm
Kit de rallonge 1,5 cm
Verlängerung 1,5 cm



ZZ RWIT 51A5 ZZ 85 75,00

Prolunga 3 cm
Extension kit 3 cm
Kit de rallonge 3 cm
Verlängerung 3 cm



ZZ RWIT 51A5 ZZ 90 100,00

Prolunga 5 cm
Extension kit 5 cm
Kit de rallonge 5 cm
Verlängerung 5 cm





CC	RWIT 5408 CC 60	88,00
NN	RWIT 5408 NN 60	118,00
BB	RWIT 5408 BB 60	118,00
NL	RWIT 5408 NL 60	115,00
NF	RWIT 5408 NF 60	115,00
HH	RWIT 5408 HH 60	135,00
CZ	RWIT 5408 CZ 60	135,00
US	RWIT 5408 US 60	135,00
UZ	RWIT 5408 UZ 60	135,00
DD	RWIT 5408 DD 60	183,00
DZ	RWIT 5408 DZ 60	183,00

Prolunga 3 cm
 Extension kit 3 cm
 Kit de rallonge 3 cm
 Verlängerung 3 cm



CC	RWIT 5449 CC 90	181,00
NN	RWIT 5449 NN 90	239,00
BB	RWIT 5449 BB 90	239,00
NL	RWIT 5449 NL 90	234,00
NF	RWIT 5449 NF 90	234,00
HH	RWIT 5449 HH 90	278,00
CZ	RWIT 5449 CZ 90	278,00
US	RWIT 5449 US 90	278,00
UZ	RWIT 5449 UZ 90	278,00
DD	RWIT 5449 DD 90	374,00
DZ	RWIT 5449 DZ 90	374,00

Prolunga 3 cm
 Extension kit 3 cm
 Kit de rallonge 3 cm
 Verlängerung 3 cm



CC	RWIT 5649 CC 90	56,00
NN	RWIT 5649 NN 90	75,00
BB	RWIT 5649 BB 90	75,00
NL	RWIT 5649 NL 90	73,00
NF	RWIT 5649 NF 90	73,00
HH	RWIT 5649 HH 90	86,00
CZ	RWIT 5649 CZ 90	86,00
US	RWIT 5649 US 90	86,00
UZ	RWIT 5649 UZ 90	86,00
KK	RWIT 5649 KK 90	86,00
DD	RWIT 5649 DD 90	116,00
DZ	RWIT 5649 DZ 90	116,00
SZ	RWIT 5649 SZ 90	116,00

Prolunga 3 cm
 Extension kit 3 cm
 Kit de rallonge 3 cm
 Verlängerung 3 cm



ZZ	RWIT 5703 ZZ 50	80,00
-----------	-----------------	-------

Prolunga 2,5 cm
 Extension kit 2,5 cm
 Kit de rallonge 2,5 cm
 Verlängerung 2,5 cm

Extension kit

X-CHANGE

ELECTRONIC

SHOWERS &
THERMOSTATICS

PICCADILLY

OLD ITALY

ROMANTICA

BATH ACCESSORIES

KITCHEN

CONCEALED PARTS - ACCESSORIES



CC	RWIT 6B49 CC 90	181,00
NN	RWIT 6B49 NN 90	239,00
BB	RWIT 6B49 BB 90	239,00
NL	RWIT 6B49 NL 90	234,00
NF	RWIT 6B49 NF 90	234,00
HH	RWIT 6B49 HH 90	278,00
CZ	RWIT 6B49 CZ 90	278,00
US	RWIT 6B49 US 90	278,00
UZ	RWIT 6B49 UZ 90	278,00
KK	RWIT 6B49 KK 90	278,00
DD	RWIT 6B49 DD 90	374,00
DZ	RWIT 6B49 DZ 90	374,00
SZ	RWIT 6B49 SZ 90	374,00

Prolunga 3 cm
Extension kit 3 cm
Kit de rallonge 3 cm
Verlängerung 3 cm

ZZ	RWIT 7240 ZZ 04	67,00
----	-----------------	-------

Prolunga 2,5 cm
Extension kit 2,5 cm
Kit de rallonge 2,5 cm
Verlängerung 2,5 cm



CC	RWIT 7287 CC 80	118,00
NN	RWIT 7287 NN 80	157,00
BB	RWIT 7287 BB 80	157,00
NL	RWIT 7287 NL 80	153,00
NF	RWIT 7287 NF 80	153,00
HH	RWIT 7287 HH 80	182,00
CZ	RWIT 7287 CZ 80	182,00
US	RWIT 7287 US 80	182,00
UZ	RWIT 7287 UZ 80	182,00
KK	RWIT 7287 KK 80	182,00
DD	RWIT 7287 DD 80	244,00
DZ	RWIT 7287 DZ 80	244,00
SZ	RWIT 7287 SZ 80	244,00

Prolunga 2,5 cm
Extension kit 2,5 cm
Kit de rallonge 2,5 cm
Verlängerung 2,5 cm



ZZ	RWIT 7287 ZZ 81	81,00
----	-----------------	-------

Prolunga 2,5 cm
Extension kit 2,5 cm
Kit de rallonge 2,5 cm
Verlängerung 2,5 cm



ZZ RWIT 7546 ZZ 82 82,00

Prolunga 2,5 cm
 Extension kit 2,5 cm
 Kit de rallonge 2,5 cm
 Verlängerung 2,5 cm



ZZ RWIT 7A52 ZZ 50 90,00

Prolunga 3 cm
 Extension kit 3 cm
 Kit de rallonge 3 cm
 Verlängerung 3 cm



CC RWIT 8A46 CC 21 118,00
NN RWIT 8A46 NN 21 157,00
BB RWIT 8A46 BB 21 157,00
NL RWIT 8A46 NL 21 153,00
NF RWIT 8A46 NF 21 153,00
HH RWIT 8A46 HH 21 182,00
CZ RWIT 8A46 CZ 21 182,00
US RWIT 8A46 US 21 182,00
UZ RWIT 8A46 UZ 21 182,00
KK RWIT 8A46 KK 21 182,00
DD RWIT 8A46 DD 21 244,00
DZ RWIT 8A46 DZ 21 244,00
SZ RWIT 8A46 SZ 21 244,00

Prolunga 2,5 cm
 Extension kit 2,5 cm
 Kit de rallonge 2,5 cm
 Verlängerung 2,5 cm



ZZ RWLI 7252 ZZ 02 71,00

Prolunga 2,5 cm
 Extension kit 2,5 cm
 Kit de rallonge 2,5 cm
 Verlängerung 2,5 cm

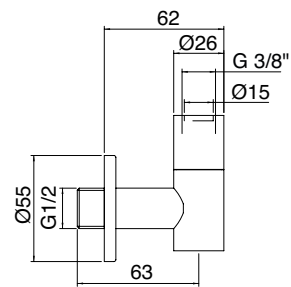


Spare parts - Accessories



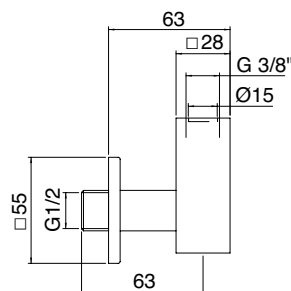
CC	RWIT 6526 CC 01	140,00
NN	RWIT 6526 NN 01	186,00
BB	RWIT 6526 BB 01	186,00
NL	RWIT 6526 NL 01	182,00
NF	RWIT 6526 NF 01	182,00
HH	RWIT 6526 HH 01	215,00
CZ	RWIT 6526 CZ 01	215,00
US	RWIT 6526 US 01	215,00
UZ	RWIT 6526 UZ 01	215,00
KK	RWIT 6526 KK 01	215,00
DD	RWIT 6526 DD 01	290,00
DZ	RWIT 6526 DZ 01	290,00
SZ	RWIT 6526 SZ 01	290,00

Rubinetto d'arresto con filtro
 Stop valves with filter
 Robinets d'arrêt avec filtre
 Eckventile m Filter u. Absperrung



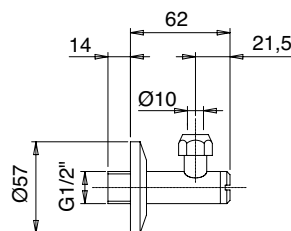
CC	RWIT 6527 CC 01	201,00
NN	RWIT 6527 NN 01	268,00
BB	RWIT 6527 BB 01	268,00
NL	RWIT 6527 NL 01	262,00
NF	RWIT 6527 NF 01	262,00
HH	RWIT 6527 HH 01	311,00
CZ	RWIT 6527 CZ 01	311,00
US	RWIT 6527 US 01	311,00
UZ	RWIT 6527 UZ 01	311,00
KK	RWIT 6527 KK 01	311,00
DD	RWIT 6527 DD 01	419,00
DZ	RWIT 6527 DZ 01	419,00
SZ	RWIT 6527 SZ 01	419,00

Rubinetto d'arresto con filtro
 Stop valves with filter
 Robinets d'arrêt avec filtre
 Eckventile m Filter u. Absperrung



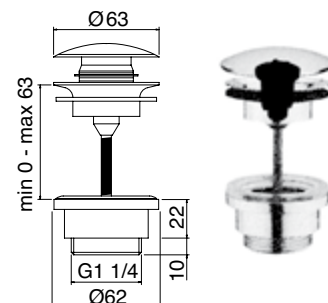
CC	IT 0480 CC ZZ ZZ	23,00
NN	IT 0480 NN ZZ ZZ	41,00
BB	IT 0480 BB ZZ ZZ	41,00
NL	IT 0480 NL ZZ ZZ	41,00
NF	IT 0480 NF ZZ ZZ	41,00
HH	IT 0480 HH ZZ ZZ	46,00
CZ	IT 0480 CZ ZZ ZZ	46,00
US	IT 0480 US ZZ ZZ	46,00
UZ	IT 0480 UZ ZZ ZZ	46,00
DD	IT 0480 DD ZZ ZZ	51,00
DZ	IT 0480 DZ ZZ ZZ	51,00

Rubinetto d'arresto con filtro
 Stop valve with filter
 Robinet d'arrêt avec filtre
 Eckventile m Filter u. Absperrung



CC	IT RTSA 117 CC	28,00
NN	IT RTSA 117 NN	38,00
BB	IT RTSA 117 BB	38,00
NL	IT RTSA 117 NL	39,00
NF	IT RTSA 117 NF	39,00
HH	IT RTSA 117 HH	45,00
CZ	IT RTSA 117 CZ	45,00
US	IT RTSA 117 US	45,00
UZ	IT RTSA 117 UZ	45,00
KK	IT RTSA 117 KK	43,00
DD	IT RTSA 117 DD	54,00
DZ	IT RTSA 117 DZ	59,00
SZ	IT RTSA 117 SZ	59,00

Scarico click-clack universale con inserto per sempre aperto
 Universal up/down pop-up waste with adaptor for continuous water flow
 Bonde click-clack universelle avec option écoulement libre
 Universal-Abflussgarnitur Click-Clack mit Verschlussperre



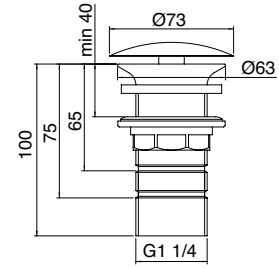
X-CHANGE
 ELECTRONIC
 SHOWERS & THERMOSTATICS
 PICCADILLY
 OLD ITALY
 ROMANTICA
 BATH ACCESSORIES
 KITCHEN
 CONCEALED PARTS - ACCESSORIES

Spare parts - Accessories



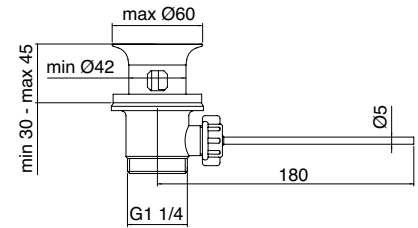
CC	IT RTSA 114 CC	53,00
NF	IT RTSA 114 NF	70,00
BB	IT RTSA 114 BB	70,00
NL	IT RTSA 114 NL	67,00
NF	IT RTSA 114 NF	67,00
HH	IT RTSA 114 HH	81,00
CZ	IT RTSA 114 CZ	81,00
US	IT RTSA 114 US	81,00
UZ	IT RTSA 114 UZ	81,00
KK	IT RTSA 114 KK	81,00
DD	IT RTSA 114 DD	109,00
DZ	IT RTSA 114 DZ	109,00
SZ	IT RTSA 114 SZ	109,00

Scarico sempre aperto
Pop-up continuous water flow
Bonde écoulement libre
Verschlußsperre Ablaufgarnitur



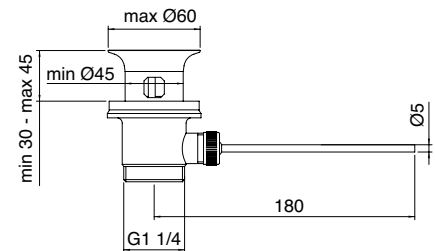
CC	IT RTSA 106 CC	17,00
NN	IT RTSA 106 NN	22,00
BB	IT RTSA 106 BB	22,00
NL	IT RTSA 106 NL	22,00
NF	IT RTSA 106 NF	22,00
HH	IT RTSA 106 HH	25,00
CZ	IT RTSA 106 CZ	25,00
US	IT RTSA 106 US	25,00
UZ	IT RTSA 106 UZ	25,00
KK	IT RTSA 106 KK	25,00
DD	IT RTSA 106 DD	33,00
DZ	IT RTSA 106 DZ	33,00
SZ	IT RTSA 106 SZ	33,00

Scarico automatico 1" 1/4
1" 1/4 pop-up waste
Vidage 1" 1/4
Ablaufgarnitur 1" 1/4



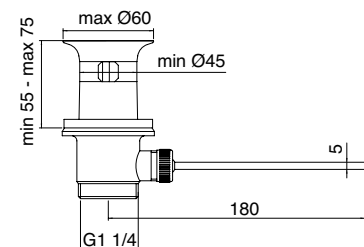
CC	IT RTSA 108 CC	21,00
NN	IT RTSA 108 NN	28,00
BB	IT RTSA 108 BB	28,00
NL	IT RTSA 108 NL	27,00
NF	IT RTSA 108 NF	27,00
HH	IT RTSA 108 HH	32,00
CZ	IT RTSA 108 CZ	32,00
US	IT RTSA 108 US	32,00
UZ	IT RTSA 108 UZ	32,00
KK	IT RTSA 108 KK	32,00
DD	IT RTSA 108 DD	44,00
DZ	IT RTSA 108 DZ	44,00
SZ	IT RTSA 108 SZ	44,00

Scarico automatico 1" 1/4
1" 1/4 pop-up waste
Vidage 1" 1/4
Ablaufgarnitur 1" 1/4



CC	IT RTSA 112 CC	27,00
NN	IT RTSA 112 NN	36,00
BB	IT RTSA 112 BB	36,00
NL	IT RTSA 112 NL	34,00
NF	IT RTSA 112 NF	34,00
HH	IT RTSA 112 HH	42,00
CZ	IT RTSA 112 CZ	42,00
US	IT RTSA 112 US	42,00
UZ	IT RTSA 112 UZ	42,00
KK	IT RTSA 112 KK	42,00
DD	IT RTSA 112 DD	55,00
DZ	IT RTSA 112 DZ	55,00
SZ	IT RTSA 112 SZ	55,00

Scarico automatico 1" 1/4 piletta prolungata 90 mm
1" 1/4 pop-up waste 90 mm extended
Vidage 1" 1/4 prolongé 90 mm
Verlängernitur 90 mm Ablaufgarnitur 1" 1/4



X-CHANGE

ELECTRONIC

SHOWERS & THERMOSTATICS

PICCADILLY

OLD ITALY

ROMANTICA

BATH ACCESSORIES

KITCHEN

CONCEALED PARTS - ACCESSORIES

Spare parts - Accessories

X-CHANGE

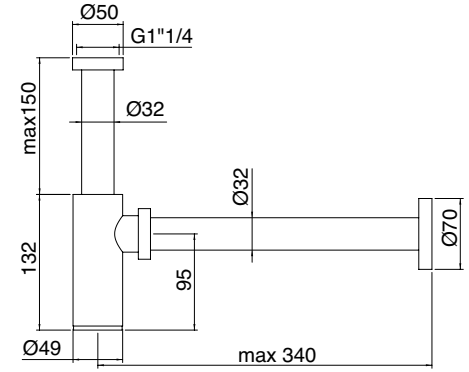
ELECTRONIC

SHOWERS & THERMOSTATICS



CC	IT 0405 CC ZZ ZZ	88,00
NN	IT 0405 NN ZZ ZZ	177,00
BB	IT 0405 BB ZZ ZZ	177,00
NL	IT 0405 NL ZZ ZZ	167,00
NF	IT 0405 NF ZZ ZZ	167,00
HH	IT 0405 HH ZZ ZZ	136,00
CZ	IT 0405 CZ ZZ ZZ	136,00
US	IT 0405 US ZZ ZZ	136,00
UZ	IT 0405 UZ ZZ ZZ	136,00
KK	IT 0405 KK ZZ ZZ	186,00
DD	IT 0405 DD ZZ ZZ	201,00
DZ	IT 0405 DZ ZZ ZZ	184,00
SZ	IT 0405 SZ ZZ ZZ	184,00

Sifone a vista
Drain-trap
Siphon
Siphon fur Waschtisch



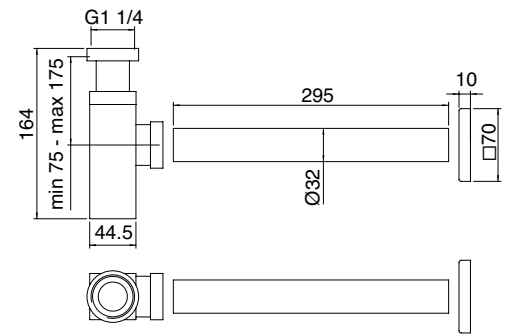
PICCADILLY

OLD ITALY



CC	IT 0465 CC ZZ ZZ	134,00
NN	IT 0465 NN ZZ ZZ	180,00
BB	IT 0465 NN ZZ ZZ	180,00
NL	IT 0465 NL ZZ ZZ	175,00
NF	IT 0465 NF ZZ ZZ	175,00
HH	IT 0465 HH ZZ ZZ	208,00
CZ	IT 0465 CZ ZZ ZZ	208,00
US	IT 0465 US ZZ ZZ	208,00
UZ	IT 0465 UZ ZZ ZZ	208,00
KK	IT 0465 KK ZZ ZZ	208,00
DD	IT 0465 DD ZZ ZZ	280,00
DZ	IT 0465 DZ ZZ ZZ	280,00
SZ	IT 0465 SZ ZZ ZZ	280,00

Sifone a vista
Drain-trap
Siphon
Siphon fur Waschtisch



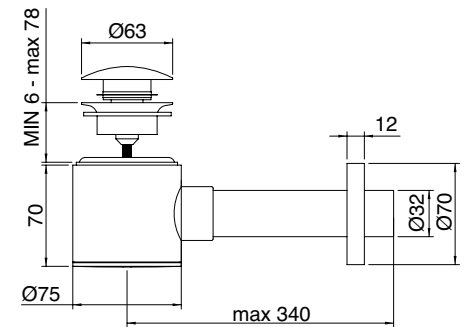
ROMANTICA

BATH ACCESSORIES



CC	RWIT 0408 CC 05	194,00
NN	RWIT 0408 NN 05	276,00
BB	RWIT 0408 BB 05	276,00
NL	RWIT 0408 NL 05	272,00
NF	RWIT 0408 NF 05	272,00
HH	RWIT 0408 HH 05	334,00
CZ	RWIT 0408 CZ 05	334,00
US	RWIT 0408 US 05	334,00
UZ	RWIT 0408 UZ 05	334,00
KK	RWIT 0408 KK 05	334,00
DD	RWIT 0408 DD 05	429,00
DZ	RWIT 0408 DZ 05	429,00
SZ	RWIT 0408 SZ 05	429,00

Sifone a vista
Drain-trap
Siphon
Siphon fur Waschtisch



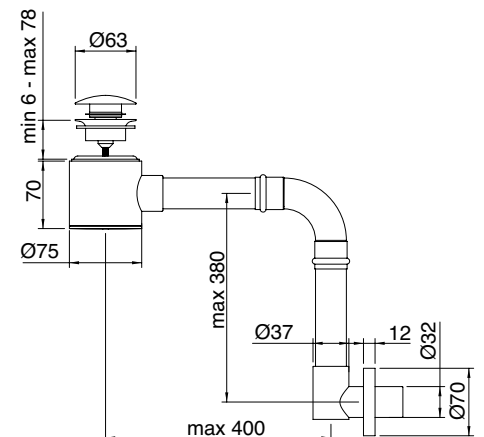
KITCHEN

CONCEALED PARTS - ACCESSORIES



CC	RWIT 0408 CC 10	268,00
NN	RWIT 0408 NN 10	357,00
BB	RWIT 0408 BB 10	357,00
NL	RWIT 0408 NL 10	349,00
NF	RWIT 0408 NF 10	349,00
HH	RWIT 0408 HH 10	414,00
CZ	RWIT 0408 CZ 10	414,00
US	RWIT 0408 US 10	414,00
UZ	RWIT 0408 UZ 10	414,00
KK	RWIT 0408 KK 10	414,00
DD	RWIT 0408 DD 10	558,00
DZ	RWIT 0408 DZ 10	558,00
SZ	RWIT 0408 SZ 10	558,00

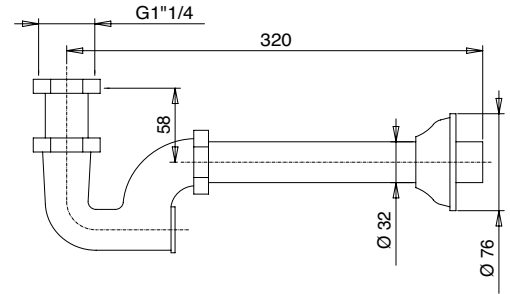
Sifone a vista
Drain-trap
Siphon
Siphon fur Waschtisch



Spare parts - Accessories

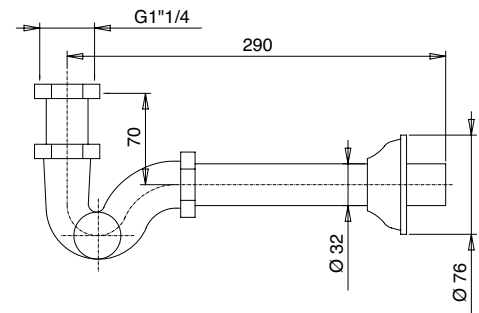
CC	IT 0421	CC ZZ ZZ	30,00
NL	IT 0421	NL ZZ ZZ	94,00
US	IT 0421	US ZZ ZZ	116,00
DD	IT 0421	DD ZZ ZZ	149,00
DZ	IT 0421	DZ ZZ ZZ	149,00
SZ	IT 0421	SZ ZZ ZZ	149,00

Sifone ad S per lavabo 1" 1/4
 Wash basin S-shaped waste pipe 1" 1/4
 Siphon pour lavabo 1" 1/4
 Siphon für Waschtisch 1" 1/4



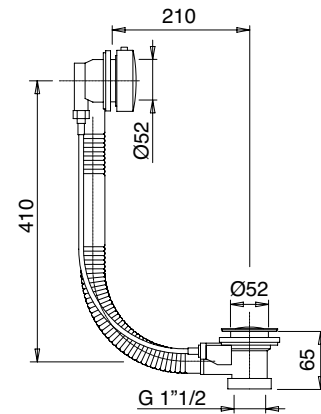
CC	IT 0433	CC ZZ ZZ	30,00
NL	IT 0433	NL ZZ ZZ	94,00
US	IT 0433	US ZZ ZZ	116,00
DD	IT 0433	DD ZZ ZZ	149,00
DZ	IT 0433	DZ ZZ ZZ	149,00
SZ	IT 0433	SZ ZZ ZZ	149,00

Sifone ad S per bidet 1" 1/4
 Bidet S-shaped waste pipe 1" 1/4
 Siphon pour bidet 1" 1/4
 Siphon für Bidet 1" 1/4



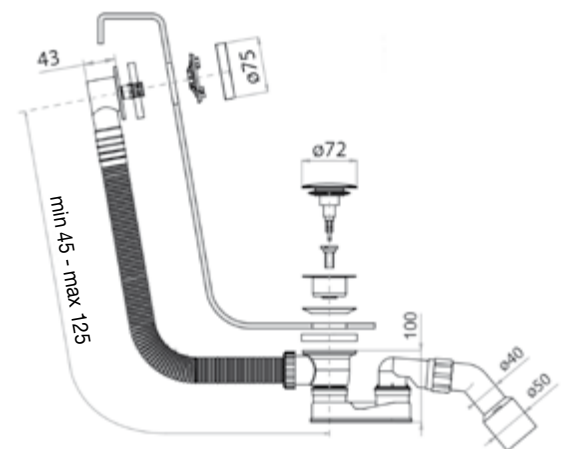
CC	IT 0460	CC ZZ AB	83,00
NN	IT 0460	NN ZZ AB	111,00
BB	IT 0460	BB ZZ AB	111,00
NL	IT 0460	NL ZZ AB	109,00
NF	IT 0460	NF ZZ AB	109,00
HH	IT 0460	HH ZZ AB	127,00
CZ	IT 0460	CZ ZZ AB	127,00
DD	IT 0460	DD ZZ AB	171,00
DZ	IT 0460	DZ ZZ AB	171,00
SZ	IT 0460	SZ ZZ AB	171,00

Colonna scarico vasca in ABS
 ABS Bathtub waste pipe
 Colonne vidage pour baignoire en ABS
 Abflussgarnitur für Wannen ABS



CC	IT 0491	CC ZZ ZZ	99,00
NN	IT 0491	NN ZZ ZZ	132,00
BB	IT 0491	BB ZZ ZZ	132,00
NL	IT 0491	NL ZZ ZZ	129,00
NF	IT 0491	NF ZZ ZZ	129,00
HH	IT 0491	HH ZZ ZZ	153,00
CZ	IT 0491	CZ ZZ ZZ	153,00
US	IT 0491	US ZZ ZZ	153,00
UZ	IT 0491	UZ ZZ ZZ	153,00
KK	IT 0491	KK ZZ ZZ	153,00
DD	IT 0491	DD ZZ ZZ	206,00
DZ	IT 0491	DZ ZZ ZZ	206,00
SZ	IT 0491	SZ ZZ ZZ	206,00

Colonna scarico vasca con troppopieno
 Bathtub waste pipe with overflow
 Colonne vidage pour baignoire avec sortie d'eau
 Abflussgarnitur für wannen mit kette



Spare parts - Accessories

X-CHANGE

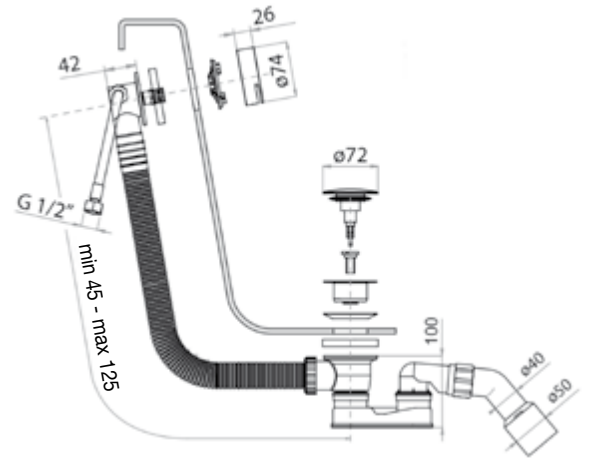
ELECTRONIC

SHOWERS & THERMOSTATICS



CC	IT 0492 CC ZZ ZZ	199,00
NN	IT 0492 NN ZZ ZZ	265,00
BB	IT 0492 BB ZZ ZZ	265,00
NL	IT 0492 NL ZZ ZZ	259,00
NF	IT 0492 NF ZZ ZZ	259,00
HH	IT 0492 HH ZZ ZZ	307,00
CZ	IT 0492 CZ ZZ ZZ	307,00
US	IT 0492 US ZZ ZZ	307,00
UZ	IT 0492 UZ ZZ ZZ	307,00
KK	IT 0492 KK ZZ ZZ	307,00
DD	IT 0492 DD ZZ ZZ	414,00
DZ	IT 0492 DZ ZZ ZZ	414,00
SZ	IT 0492 SZ ZZ ZZ	414,00

Colonna scarico vasca con troppopieno e erogazione
Bathtub waste pipe with overflow
Colonne vidage pour baignoire avec sortie d'eau
Abflussgarnitur für wannen mit kette



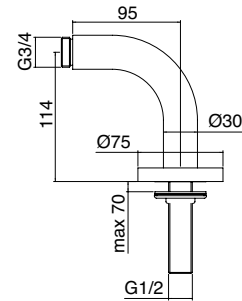
PICCADILLY

OLD ITALY



CC	RWIT 7204 CC 01	198,00
NN	RWIT 7204 NN 01	264,00
BB	RWIT 7204 BB 01	264,00
NL	RWIT 7204 NL 01	258,00
NF	RWIT 7204 NF 01	258,00
HH	RWIT 7204 HH 01	305,00
CZ	RWIT 7204 CZ 01	305,00
US	RWIT 7204 US 01	305,00
UZ	RWIT 7204 UZ 01	305,00
KK	RWIT 7204 KK 01	305,00
DD	RWIT 7204 DD 01	411,00
DZ	RWIT 7204 DZ 01	411,00
SZ	RWIT 7204 SZ 01	411,00

Colonne per gruppo vasca h 110
Bathtub pipes h 110
Colonnettes pour baignoire h 110
Anschlussrohren für AP-Wannen Batterie h 110



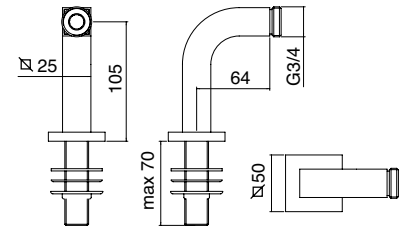
ROMANTICA

BATH ACCESSORIES



CC	RWIT 7304 CC 01	258,00
NN	RWIT 7304 NN 01	342,00
BB	RWIT 7304 BB 01	342,00
NL	RWIT 7304 NL 01	334,00
NF	RWIT 7304 NF 01	334,00
HH	RWIT 7304 HH 01	396,00
CZ	RWIT 7304 CZ 01	396,00
US	RWIT 7304 US 01	396,00
UZ	RWIT 7304 UZ 01	396,00
KK	RWIT 7304 KK 01	396,00
DD	RWIT 7304 DD 01	535,00
DZ	RWIT 7304 DZ 01	535,00
SZ	RWIT 7304 SZ 01	535,00

Colonne per gruppo vasca h 105
Bathtub pipes h 105
Colonnettes pour baignoire h 105
Anschlussrohren für AP-Wannen Batterie h 105



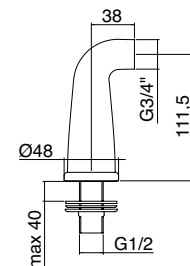
KITCHEN

CONCEALED PARTS - ACCESSORIES



CC	RWIT 3607 CC 75	109,00
NN	RWIT 3607 NN 75	145,00
BB	RWIT 3607 BB 75	145,00
NL	RWIT 3607 NL 75	141,00
NF	RWIT 3607 NF 75	141,00
HH	RWIT 3607 HH 75	166,00
CZ	RWIT 3607 CZ 75	166,00
US	RWIT 3607 US 75	166,00
UZ	RWIT 3607 UZ 75	166,00
KK	RWIT 3607 KK 75	166,00
DD	RWIT 3607 DD 75	224,00
DZ	RWIT 3607 DZ 75	224,00
SZ	RWIT 3607 SZ 75	224,00

Colonne per gruppo vasca h 111,5
Bathtub pipes h 111,5
Colonnettes pour baignoire h 111,5
Anschlussrohren für AP-Wannen Batterie h 111,5

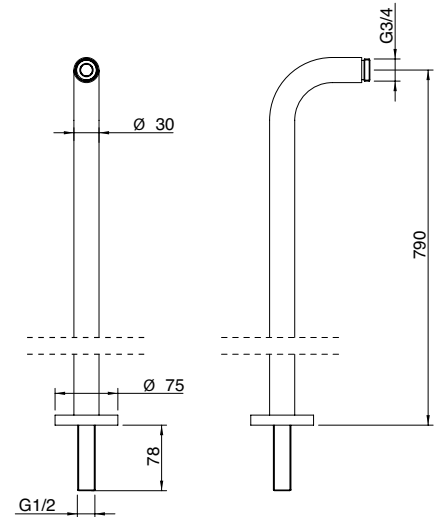


Spare parts - Accessories



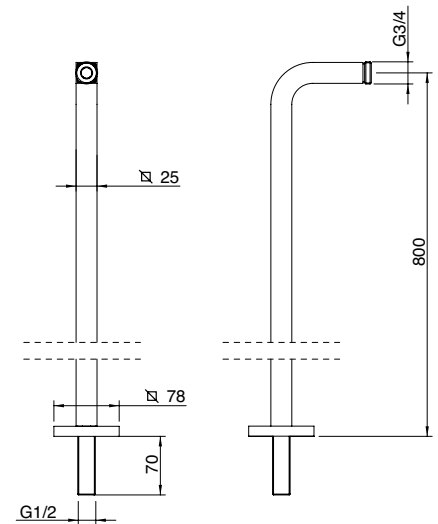
CC	RWIT 7284 CC 93	316,00
NN	RWIT 7284 NN 93	419,00
BB	RWIT 7284 BB 93	419,00
NL	RWIT 7284 NL 93	409,00
NF	RWIT 7284 NF 93	409,00
HH	RWIT 7284 HH 93	485,00
CZ	RWIT 7284 CZ 93	485,00
US	RWIT 7284 US 93	485,00
UZ	RWIT 7284 UZ 93	485,00
KK	RWIT 7284 KK 93	485,00
DD	RWIT 7284 DD 93	655,00
DZ	RWIT 7284 DZ 93	655,00
SZ	RWIT 7284 SZ 93	655,00

Colonne per gruppo vasca
Bathtub pipes
Colonnets pour baignoire
Anschlussrohren für AP-Wannen Batterie



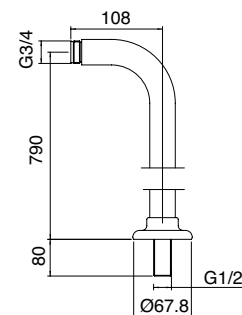
CC	RWIT 7384 CC 93	443,00
NN	RWIT 7384 NN 93	590,00
BB	RWIT 7384 BB 93	590,00
NL	RWIT 7384 NL 93	576,00
NF	RWIT 7384 NF 93	576,00
HH	RWIT 7384 HH 93	682,00
CZ	RWIT 7384 CZ 93	682,00
US	RWIT 7384 US 93	682,00
UZ	RWIT 7384 UZ 93	682,00
KK	RWIT 7384 KK 93	682,00
DD	RWIT 7384 DD 93	922,00
DZ	RWIT 7384 DZ 93	922,00
SZ	RWIT 7384 SZ 93	922,00

Colonne per gruppo vasca
Bathtub pipes
Colonnets pour baignoire
Anschlussrohren für AP-Wannen Batterie



CC	IT 0470 CC ZZ ZZ	327,00
NN	IT 0470 NN ZZ ZZ	435,00
BB	IT 0470 BB ZZ ZZ	435,00
NL	IT 0470 NL ZZ ZZ	424,00
NF	IT 0470 NF ZZ ZZ	424,00
HH	IT 0470 HH ZZ ZZ	504,00
CZ	IT 0470 CZ ZZ ZZ	504,00
US	IT 0470 US ZZ ZZ	504,00
UZ	IT 0470 UZ ZZ ZZ	504,00
KK	IT 0470 KK ZZ ZZ	504,00
DD	IT 0470 DD ZZ ZZ	678,00
DZ	IT 0470 DZ ZZ ZZ	678,00
SZ	IT 0470 SZ ZZ ZZ	678,00

Colonne per gruppo vasca
Bathtub pipes
Colonnets pour baignoire
Anschlussrohren für AP-Wannen Batterie

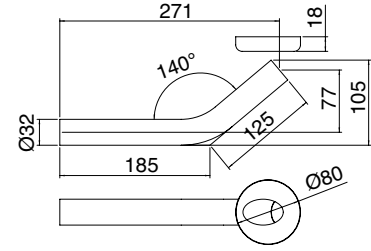


Spare parts - Accessories



CC	IT 0425 CC ZZ ZZ	18,00
NN	IT 0425 NN ZZ ZZ	23,00
BB	IT 0425 BB ZZ ZZ	23,00
NL	IT 0425 NL ZZ ZZ	23,00
NF	IT 0425 NF ZZ ZZ	23,00
HH	IT 0425 HH ZZ ZZ	27,00
CZ	IT 0425 CZ ZZ ZZ	27,00
US	IT 0425 US ZZ ZZ	27,00
UZ	IT 0425 UZ ZZ ZZ	27,00
KK	IT 0425 KK ZZ ZZ	27,00
DD	IT 0425 DD ZZ ZZ	36,00
DZ	IT 0425 DZ ZZ ZZ	36,00
SZ	IT 0425 SZ ZZ ZZ	36,00

Canotto curvo 140° con borchia per cassetta
Flushing cistern curved pipe and collar 140°
Canot 140° et rosace pour W.C.
WC Abflusskniestück 140°



ZZ IT RTAT 116 ZZ 22,00

Chiave tubo per cartuccia
Service key for cartridge
Clé pour la cartouche
Schlüssel für Kartusche

(Archè, Pao Joy, Pao Spa)



ZZ IT RTAT 121 ZZ 51,00

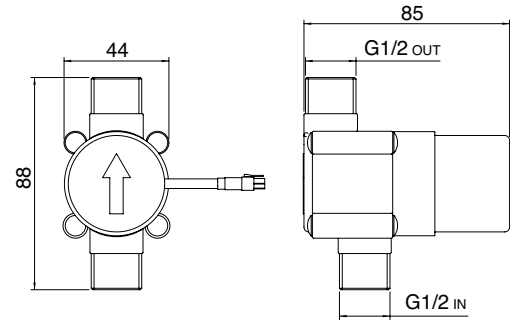
Chiave a compasso per cartuccia
Service key for cartridge
Clé pour la cartouche
Schlüssel für Kartusche

(Philo)



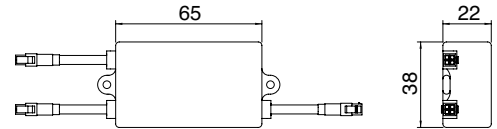
ZZ IT RTEL 040 ZZ 01 93,00

Generatore di corrente - (ricambio)
 Current generator - (replacement)
 Générateur d'électricité - (remplacement)
 Stromerzeuger - (Ersatz)



ZZ IT RTEL 040 ZZ 02 109,00

Scatola elettrica - (ricambio)
 Electric box - (replacement)
 Boitier électrique - (remplacement)
 Elektrobox - (Ersatz)



Cartridges - Valves

X-CHANGE

ELECTRONIC

SHOWERS & THERMOSTATICS

PICCADILLY

OLD ITALY

ROMANTICA

BATH ACCESSORIES

KITCHEN

CONCEALED PARTS - ACCESSORIES



ZZ IT RTMT 208 ZZ 52,00

Cartuccia per termostatico
Thermostatic cartridge
Cartouche pour thermostatique
Kartusche für Thermostat



CC IT RTVT 101 CC 10,00

Vitone ceramico DX G1/2"
Ceramic valve G1/2"
Tête céramique G1/2"
Keramikscheibe G1/2"



CC IT RTVT 105 CC 10,00

Vitone ceramico SX G1/2"
Ceramic valve
Tête céramique 1/2"
Keramikscheibe



ZZ IT RTVT 117 ZZ 11,00

Cartuccia ceramica Ø25
Ceramic cartridge Ø25
Cartouche céramique Ø25
Keramikkartusche Ø25



ZZ IT RTVT 126 ZZ 17,00

Cartuccia ceramica Ø35
Ceramic cartridge Ø35
Cartouche céramique Ø35
Keramikkartusche Ø35



ZZ IT RTVT 127 ZZ 16,00

Cartuccia ceramica Ø25
Ceramic cartridge Ø25
Cartouche céramique Ø25
Keramikkartusche Ø25



ZZ IT RTVT 130 ZZ 21,00

Cartuccia ceramica joystick Ø35
Joystick ceramic cartridge Ø35
Cartouche céramique joystick Ø35
Keramikkartusche joystick Ø35



ZZ IT RTVT 131 ZZ 14,00

Cartuccia ceramica Ø35
Ceramic cartridge Ø35
Cartouche céramique Ø35
Keramikkartusche Ø35



ZZ IT RTVT 137 ZZ 28,00

Cartuccia deviatrice
Diverter cartridge
Cartouche inverseur
Umstellung Kartusche



ZZ IT RTVT 148 ZZ 49,00

Cartuccia per termostatico
Thermostatic cartridge
Cartouche pour thermostatique
Kartusche für Thermostat



ZZ IT RTVT 149 ZZ 15,00

Cartuccia ceramica Ø40
Ceramic cartridge Ø40
Cartouche céramique Ø40
Keramikkartusche Ø40



ZZ IT RTVT 150 ZZ 15,00

Cartuccia ceramica Ø40
Ceramic cartridge Ø40
Cartouche céramique Ø40
Keramikkartusche Ø40



ZZ IT RTVT 152 ZZ 18,00

Cartuccia ceramica Ø35
Ceramic cartridge Ø35
Cartouche céramique Ø35
Keramikkartusche Ø35



ZZ IT RTVT 154 ZZ 52,00

Cartuccia deviatrice
Diverter cartridge
Cartouche inverseur
Umstellung Kartusche

Cartridges - Valves

X-CHANGE

ELECTRONIC

SHOWERS & THERMOSTATICS

PICCADILLY

OLD ITALY

ROMANTICA

BATH ACCESSORIES

KITCHEN

CONCEALED PARTS - ACCESSORIES



ZZ IT RTVT 157 ZZ 93,00

Cartuccia per termostatico
Thermostatic cartridge
Cartouche pour thermostatique
Kartusche für Thermostat



ZZ IT RTVT 161 ZZ 15,00

Cartuccia ceramica Ø35
Ceramic cartridge Ø35
Cartouche céramique Ø35
Keramikkartusche Ø35



ZZ IT RTVT 167 ZZ 19,00

Cartuccia ceramica Ø35
Ceramic cartridge Ø35
Cartouche céramique Ø35
Keramikkartusche Ø35



ZZ IT RTVT 168 ZZ 25,00

Cartuccia ceramica Ø25
Ceramic cartridge Ø25
Cartouche céramique Ø25
Keramikkartusche Ø25



ZZ IT RTVT 170 ZZ 16,00

Cartuccia ceramica Ø25
Ceramic cartridge Ø25
Cartouche céramique Ø25
Keramikkartusche Ø25



ZZ IT RTVT 171 ZZ 16,00

Cartuccia ceramica Ø25
Ceramic cartridge Ø25
Cartouche céramique Ø25
Keramikkartusche Ø25



ZZ IT RTVT 172 ZZ 31,00

Cartuccia deviatrice 2 vie con arresto
2 way diverter cartridge with stopcock
Cartouche inverseur à 2 sorties avec arrêt
Umstellung Kartusche UP-2-Wege mit Absperrung



ZZ IT RTVT 173 ZZ 15,00

Cartuccia ceramica Ø25
Ceramic cartridge Ø25
Cartouche céramique Ø25
Keramikkartusche Ø25



ZZ IT RTVT 174 ZZ 16,00

Cartuccia ceramica Ø25
Ceramic cartridge Ø25
Cartouche céramique Ø25
Keramikkartusche Ø25



ZZ IT RTVT 175 ZZ 52,00

Cartuccia per termostatico
Thermostatic cartridge
Cartouche pour thermostatique
Kartusche für Thermostat



ZZ IT RTVT 176 ZZ 21,00

Vitone ceramico DX
Ceramic valve
Tête céramique
Keramikscheibe



ZZ IT RTVT 179 ZZ 52,00

Cartuccia per termostatico
Thermostatic cartridge
Cartouche pour thermostatique
Kartusche für Thermostat



NI IT RTVT 187 NI 21,00

Vitone ceramico DX
Ceramic valve
Tête céramique
Keramikscheibe



ZZ IT RTVT 189 ZZ 52,00

Cartuccia deviatrice 2 vie con arresto
2 way diverter cartridge with stopcock
Cartouche inverseur à 2 sorties avec arrêt
Umstellung Kartusche UP-2-Wege mit Absperrung

Cartridges - Valves

X-CHANGE

ELECTRONIC

SHOWERS & THERMOSTATICS

PICCADILLY

OLD ITALY

ROMANTICA

BATH ACCESSORIES

KITCHEN

CONCEALED PARTS - ACCESSORIES



ZZ IT RTVT 190 ZZ 52,00
 Cartuccia deviatrice 3 vie con arresto
 3 way diverter cartridge with stopcock
 Cartouche inverseur à 3 sorties avec arrêt
 Umstellung Kartusche UP-3-Wege mit Absperrung



ZZ IT RTVT 211 ZZ 52,00
 Cartuccia deviatrice 2 vie senza arresto
 2 way diverter cartridge without stopcock
 Cartouche inverseur à 2 sorties sans arrêt
 Umstellung Kartusche UP-2-Wege ohne Absperrung



ZZ IT RTVT 212 ZZ 52,00
 Cartuccia deviatrice 3 vie senza arresto
 3 way diverter cartridge without stopcock
 Cartouche inverseur à 3 sorties sans arrêt
 Umstellung Kartusche UP-3-Wege ohne Absperrung



ZZ IT RTVT 213 ZZ 31,00
 Cartuccia deviatrice 2 vie senza arresto
 2 way diverter cartridge without stopcock
 Cartouche inverseur à 2 sorties sans arrêt
 Umstellung Kartusche UP-2-Wege ohne Absperrung



ZZ IT RTVT 222 ZZ 16,00
 Cartuccia ceramica Ø35
 Ceramic cartridge Ø35
 Cartouche céramique Ø35
 Keramikkartusche Ø35



ZZ IT RTVT 223 ZZ 21,00
 Cartuccia deviatrice 3 vie
 Diverter cartridge 3-way
 Cartouche inverseur à 3 sorties
 Umstellung Kartusche UP-3-Wege



CC IT RTVT 232 CC 11,00
 Vitone ceramico DX G1/2"
 Ceramic valve G1/2"
 Tête céramique G1/2"
 Keramikscheibe G1/2"



CC IT RTVT 233 CC 11,00
 Vitone ceramico SX G1/2"
 Ceramic valve
 Tête céramique 1/2"
 Keramikscheibe



ZZ IT RTVT 247 ZZ 17,00
 Cartuccia ceramica joystick Ø35
 Joystick ceramic cartridge Ø35
 Cartouche céramique joystick Ø35
 Keramikkartusche joystick Ø35



ZZ IT RTVT 250 ZZ 31,00
 Cartuccia ceramica Ø25
 Ceramic cartridge Ø25
 Cartouche céramique Ø25
 Keramikkartusche Ø25



ZZ IT RTVT 254 ZZ 31,00
 Cartuccia ceramica Ø25
 Ceramic cartridge Ø25
 Cartouche céramique Ø25
 Keramikkartusche Ø25



ZZ IT RTVT 255 ZZ 38,00
 Cartuccia ceramica Ø25
 Ceramic cartridge Ø25
 Cartouche céramique Ø25
 Keramikkartusche Ø25



ZZ IT RTVT 259 ZZ 21,00
 Vitone ceramico DX G3/4"
 Ceramic valve G3/4"
 Tête céramique G3/4"
 Keramikscheibe G3/4"



ZZ IT RTVT 261 ZZ 93,00
 Cartuccia ceramica Ø35
 Ceramic cartridge Ø35
 Cartouche céramique Ø35
 Keramikkartusche Ø35

Cartridges - Valves

X-CHANGE

ELECTRONIC

SHOWERS & THERMOSTATICS

PICCADILLY

OLD ITALY

ROMANTICA

BATH ACCESSORIES

KITCHEN

CONCEALED PARTS - ACCESSORIES



ZZ IT RTVT 266 ZZ 41,00
 Cartuccia ceramica Ø25
 Ceramic cartridge Ø25
 Cartouche céramique Ø25
 Keramikkartusche Ø25



ZZ IT RTVT 267 ZZ 46,00
 Cartuccia ceramica Ø22
 Ceramic cartridge Ø22
 Cartouche céramique Ø22
 Keramikkartusche Ø22



ZZ IT RTVT 273 ZZ 31,00
 Vitone ceramico 3/8"
 Ceramic valve 3/8"
 Tête céramique 3/8"
 Keramikscheibe 3/8"



ZZ IT RTVT 277 ZZ 52,00
 Cartuccia ceramica 180°
 Ceramic cartridge 180°
 Cartouche céramique 180°
 Keramikkartusche 180°



ZZ IT RTVT 279 ZZ 42,00
 Cartuccia ceramica Ø22
 Ceramic cartridge Ø22
 Cartouche céramique Ø22
 Keramikkartusche Ø22



ZZ IT RTVT 280 ZZ 52,00
 Cartuccia ceramica 180°
 Ceramic cartridge 180°
 Cartouche céramique 180°
 Keramikkartusche 180°



ZZ IT RTVT 299 ZZ 62,00
 Cartuccia per termostatico
 Thermostatic cartridge
 Cartouche pour thermostatique
 Kartusche für Thermostat



ZZ RWIT 6917 ZZ 06 31,00
 Cartuccia progressive Ø35
 Ø35 progressive cartridge
 Cartouche progressive Ø35
 Kartusche progressive Ø35



ZZ RWIT 2A11 ZZ 40 27,00
 Cartuccia ceramica Ø25
 Ceramic cartridge Ø25
 Cartouche céramique Ø25
 Keramikkartusche Ø25



ZZ RWIT 2AA5 ZZ 40 27,00
 Cartuccia ceramica Ø25
 Ceramic cartridge Ø25
 Cartouche céramique Ø25
 Keramikkartusche Ø25



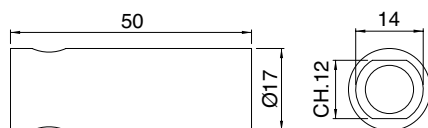
ZZ RWIT 2B86 ZZ 90 26,00
 Cartuccia E26 – per leve serie Watt
 E26 Cartridge – for WATT series levers
 Cartouche E26 – pour leviers série WATT
 Kartusche E26 – für Hebel Watt Serie



ZZ RWIT 4BC8 ZZ 10 31,00
 Cartuccia ceramica
 Ceramic cartridge
 Cartouche céramique
 Keramikkartusche



ZZ RZIT 7A14 ZZ 10 47,00
 Chiave per vitone (IT RTVT 187 NI)
 Service key for ceramic valve (IT RTVT 187 NI)
 Clé pour tête cermique (IT RTVT 187 NI)
 Schlüssel für Keramikscheibe (IT RTVT 187 NI)



Aerator



CC	IT RTAE 101	CC	6,00
NN	IT RTAE 101	NN	8,00
BB	IT RTAE 101	BB	8,00
NL	IT RTAE 101	NL	8,00
NF	IT RTAE 101	NF	8,00
HH	IT RTAE 101	HH	9,00
CZ	IT RTAE 101	CZ	9,00
US	IT RTAE 101	US	9,00
UZ	IT RTAE 101	UZ	9,00
KK	IT RTAE 101	KK	9,00
DD	IT RTAE 101	DD	12,00
DZ	IT RTAE 101	DZ	12,00
SZ	IT RTAE 101	SZ	12,00

Aeratore
Aerator
Mousseur
Perlator



CC	IT RTAE 105	CC	6,00
NN	IT RTAE 105	NN	8,00
BB	IT RTAE 105	BB	8,00
NL	IT RTAE 105	NL	8,00
NF	IT RTAE 105	NF	8,00
HH	IT RTAE 105	HH	9,00
CZ	IT RTAE 105	CZ	9,00
US	IT RTAE 105	US	9,00
UZ	IT RTAE 105	UZ	9,00
KK	IT RTAE 105	KK	9,00
DD	IT RTAE 105	DD	12,00
DZ	IT RTAE 105	DZ	12,00
SZ	IT RTAE 105	SZ	12,00

Snodo per aeratore
Swivel joint for aerator
Raccord pivotant pour mousseur
Gelenk für Bidet Perlator



CC	IT RTAE 106	CC	6,00
NN	IT RTAE 106	NN	8,00
BB	IT RTAE 106	BB	8,00
NL	IT RTAE 106	NL	8,00
NF	IT RTAE 106	NF	8,00
HH	IT RTAE 106	HH	9,00
CZ	IT RTAE 106	CZ	9,00
US	IT RTAE 106	US	9,00
UZ	IT RTAE 106	UZ	9,00
KK	IT RTAE 106	KK	9,00
DD	IT RTAE 106	DD	12,00
DZ	IT RTAE 106	DZ	12,00
SZ	IT RTAE 106	SZ	12,00

Snodo per aeratore
Swivel joint for aerator
Raccord pivotant pour mousseur
Gelenk für Bidet Perlator



CC	IT RTAE 107	CC	6,00
NN	IT RTAE 107	NN	8,00
BB	IT RTAE 107	BB	8,00
NL	IT RTAE 107	NL	8,00
NF	IT RTAE 107	NF	8,00
HH	IT RTAE 107	HH	9,00
CZ	IT RTAE 107	CZ	9,00
US	IT RTAE 107	US	9,00
UZ	IT RTAE 107	UZ	9,00
KK	IT RTAE 107	KK	9,00
DD	IT RTAE 107	DD	12,00
DZ	IT RTAE 107	DZ	12,00
SZ	IT RTAE 107	SZ	12,00

Snodo per aeratore
Swivel joint for aerator
Raccord pivotant pour mousseur
Gelenk für Bidet Perlator



CC	IT RTAE 110	CC	8,00
NN	IT RTAE 110	NN	11,00
BB	IT RTAE 110	BB	11,00
NL	IT RTAE 110	NL	11,00
NF	IT RTAE 110	NF	11,00
HH	IT RTAE 110	HH	12,00
CZ	IT RTAE 110	CZ	12,00
US	IT RTAE 110	US	12,00
UZ	IT RTAE 110	UZ	12,00
KK	IT RTAE 110	KK	12,00
DD	IT RTAE 110	DD	16,00
DZ	IT RTAE 110	DZ	16,00
SZ	IT RTAE 110	SZ	16,00

Aeratore
Aerator
Mousseur
Perlator



ZZ	IT RTAE 111	ZZ	5,00
----	-------------	----	------

Aeratore
Aerator
Mousseur
Perlator



CC	IT RTAE 112	CC	6,00
NN	IT RTAE 112	NN	8,00
BB	IT RTAE 112	BB	8,00
NL	IT RTAE 112	NL	8,00
NF	IT RTAE 112	NF	8,00
HH	IT RTAE 112	HH	9,00
CZ	IT RTAE 112	CZ	9,00
US	IT RTAE 112	US	9,00
UZ	IT RTAE 112	UZ	9,00
KK	IT RTAE 112	KK	9,00
DD	IT RTAE 112	DD	12,00
DZ	IT RTAE 112	DZ	12,00
SZ	IT RTAE 112	SZ	12,00

Aeratore
Aerator
Mousseur
Perlator



CC	IT RTAE 114	CC	6,00
NN	IT RTAE 114	NN	8,00
BB	IT RTAE 114	BB	8,00
NL	IT RTAE 114	NL	8,00
NF	IT RTAE 114	NF	8,00
HH	IT RTAE 114	HH	9,00
CZ	IT RTAE 114	CZ	9,00
US	IT RTAE 114	US	9,00
UZ	IT RTAE 114	UZ	9,00
KK	IT RTAE 114	KK	9,00
DD	IT RTAE 114	DD	12,00
DZ	IT RTAE 114	DZ	12,00
SZ	IT RTAE 114	SZ	12,00

Aeratore
Aerator
Mousseur
Perlator



CC	IT RTAE 121 CC	21,00
NN	IT RTAE 121 NN	28,00
BB	IT RTAE 121 BB	28,00
NL	IT RTAE 121 NL	27,00
NF	IT RTAE 121 NF	27,00
HH	IT RTAE 121 HH	32,00
CZ	IT RTAE 121 CZ	32,00
US	IT RTAE 121 US	32,00
UZ	IT RTAE 121 UZ	32,00
KK	IT RTAE 121 KK	32,00
DD	IT RTAE 121 DD	44,00
DZ	IT RTAE 121 DZ	44,00
SZ	IT RTAE 121 SZ	44,00

Aeratore
Aerator
Mousseur
Perlator



ZZ	IT RTAE 123 ZZ	5,00
----	----------------	------

Aeratore
Aerator
Mousseur
Perlator



CC	IT RTAE 124 CC	6,00
NN	IT RTAE 124 NN	8,00
BB	IT RTAE 124 BB	8,00
NL	IT RTAE 124 NL	8,00
NF	IT RTAE 124 NF	8,00
HH	IT RTAE 124 HH	9,00
CZ	IT RTAE 124 CZ	9,00
US	IT RTAE 124 US	9,00
UZ	IT RTAE 124 UZ	9,00
KK	IT RTAE 124 KK	9,00
DD	IT RTAE 124 DD	12,00
DZ	IT RTAE 124 DZ	12,00
SZ	IT RTAE 124 SZ	12,00

Shodo per aeratore
Swivel joint for aerator
Raccord pivotant pour mousseur
Gelenk für Bidet Perlator



ZZ	IT RTAE 126 ZZ	5,00
----	----------------	------

Aeratore
Aerator
Mousseur
Perlator



ZZ	IT RTAE 128 ZZ	6,00
----	----------------	------

Rompigetto
Flow guide
Guide d'eau
Fluss leitungen



ZZ	IT RTAE 129 ZZ	21,00
----	----------------	-------

Aeratore
Aerator
Mousseur
Perlator



ZZ	IT RTAE 130 ZZ	5,00
----	----------------	------

Aeratore
Aerator
Mousseur
Perlator



ZZ	IT RTAE 131 ZZ	21,00
----	----------------	-------

Aeratore
Aerator
Mousseur
Perlator



ZZ	IT RTAE 132 ZZ	21,00
----	----------------	-------

Rompigetto
Flow guide
Guide d'eau
Fluss leitungen



ZZ	IT RTAE 134 ZZ	5,00
----	----------------	------

Aeratore
Aerator
Mousseur
Perlator



ZZ	IT RTAE 135 ZZ	21,00
----	----------------	-------

Rompigetto
Flow guide
Guide d'eau
Fluss leitungen



ZZ	IT RTAE 136 ZZ	5,00
----	----------------	------

Aeratore
Aerator
Mousseur
Perlator

Aerator

X-CHANGE
ELECTRONIC
SHOWERS & THERMOSTATICS
PICCADILLY
OLD ITALY
ROMANTICA
BATH ACCESSORIES
KITCHEN
CONCEALED PARTS - ACCESSORIES



ZZ IT RTAE 137 ZZ 5,00
Aeratore 1,2 gpm
Aerator 1,2 gpm
Mousseur 1,2 gpm
Perlator 1,2 gpm



ZZ IT RTAE 139 ZZ 6,00
Aeratore
Aerator
Mousseur
Perlator



CC IT RTAE 142 CC 6,00
NN IT RTAE 142 NN 8,00
BB IT RTAE 142 BB 8,00
NL IT RTAE 142 NL 8,00
NF IT RTAE 142 NF 8,00
HH IT RTAE 142 HH 9,00
CZ IT RTAE 142 CZ 9,00
US IT RTAE 142 US 9,00
UZ IT RTAE 142 UZ 9,00
KK IT RTAE 142 KK 9,00
DD IT RTAE 142 DD 12,00
DZ IT RTAE 142 DZ 12,00
SZ IT RTAE 142 SZ 12,00
Rompigetto
Flow guide
Guide eau
Fluss leitungen



ZZ IT RTAE 145 ZZ 6,00
Aeratore
Aerator
Mousseur
Perlator



CC IT RTAE 149 CC 6,00
NN IT RTAE 149 NN 8,00
BB IT RTAE 149 BB 8,00
NL IT RTAE 149 NL 8,00
NF IT RTAE 149 NF 8,00
HH IT RTAE 149 HH 9,00
CZ IT RTAE 149 CZ 9,00
US IT RTAE 149 US 9,00
UZ IT RTAE 149 UZ 9,00
KK IT RTAE 149 KK 9,00
DD IT RTAE 149 DD 12,00
DZ IT RTAE 149 DZ 12,00
SZ IT RTAE 149 SZ 12,00
Snodo per aeratore
Swivel joint for aerator
Raccord pivotant pour mousseur
Gelenk für Bidet Perlator



ZZ IT RTAE 154 ZZ 6,00
Aeratore
Aerator
Mousseur
Perlator



ZZ IT RTAE 158 ZZ 5,00
Aeratore
Aerator
Mousseur
Perlator



CC IT RTAE 164 CC 6,00
NN IT RTAE 164 NN 8,00
BB IT RTAE 164 BB 8,00
NL IT RTAE 164 NL 8,00
NF IT RTAE 164 NF 8,00
HH IT RTAE 164 HH 9,00
CZ IT RTAE 164 CZ 9,00
US IT RTAE 164 US 9,00
UZ IT RTAE 164 UZ 9,00
KK IT RTAE 164 KK 9,00
DD IT RTAE 164 DD 12,00
DZ IT RTAE 164 DZ 12,00
SZ IT RTAE 164 SZ 12,00
Aeratore
Aerator
Mousseur
Perlator



ZZ IT RTAE 180 ZZ 21,00
Aeratore
Aerator
Mousseur
Perlator



ZZ IT RTAE 182 ZZ 6,00
Aeratore
Aerator
Mousseur
Perlator



ZZ IT RTAE 186 ZZ 6,00
Aeratore
Aerator
Mousseur
Perlator



ZZ IT RTAE 187 ZZ 6,00
Aeratore
Aerator
Mousseur
Perlator



ZZ IT RTAE 189 ZZ 15,00

Aeratore
Aerator
Mousseur
Perlator



ZZ IT RTBR 419 ZZ 50 6,00

Aeratore
Aerator
Mousseur
Perlator



ZZ RWIT 0910 ZZ 05 27,00

Kit aeratore
Aerator kit
Kit mousseur
Kit Perlator



ZZ RWIT 0910 ZZ 07 27,00

Kit aeratore
Aerator kit
Kit mousseur
Kit Perlator



ZZ RWIT 0910 ZZ 11 27,00

Kit aeratore
Aerator kit
Kit mousseur
Kit Perlator



ZZ RWIT 3310 ZZ 07 27,00

Kit aeratore
Aerator kit
Kit mousseur
Kit Perlator



CC IT RTRG 106 CC 6,00
NN IT RTRG 106 NN 8,00
BB IT RTRG 106 BB 8,00
NL IT RTRG 106 NL 8,00
NF IT RTRG 106 NF 8,00
HH IT RTRG 106 HH 9,00
CZ IT RTRG 106 CZ 9,00
US IT RTRG 106 US 9,00
KK IT RTRG 106 KK 9,00
DD IT RTRG 106 DD 12,00
DZ IT RTRG 106 DZ 12,00
SZ IT RTRG 106 SZ 12,00

Rompigetto
Flow guide
Guide eau
Fluss leitungen

Service key

X-CHANGE

ELECTRONIC

SHOWERS & THERMOSTATICS

PICCADILLY

OLD ITALY

ROMANTICA

BATH ACCESSORIES

KITCHEN

CONCEALED PARTS - ACCESSORIES



ZZ IT RTAT 105 ZZ 5,00

Chiave per aeratore
Service key
Clé pour mousseur
Schlüssel für Perlator



ZZ IT RTAT 111 ZZ 5,00

Chiave per aeratore
Service key
Clé pour mousseur
Schlüssel für Perlator



ZZ IT RTAT 112 ZZ 5,00

Chiave per aeratore
Service key
Clé pour mousseur
Schlüssel für Perlator



ZZ IT RTAT 114 ZZ 5,00

Chiave per aeratore
Service key
Clé pour mousseur
Schlüssel für Perlator



ZZ IT RTAT 118 ZZ 5,00

Chiave per aeratore
Service key
Clé pour mousseur
Schlüssel für Perlator



ZZ IT RTAT 119 ZZ 5,00

Chiave per aeratore
Service key
Clé pour mousseur
Schlüssel für Perlator



ZZ IT RTAT 120 ZZ 5,00

Chiave per aeratore
Service key
Clé pour mousseur
Schlüssel für Perlator



ZZ IT RTAT 136 ZZ 5,00

Chiave per aeratore
Service key
Clé pour mousseur
Schlüssel für Perlator

SISTEMA ANTIGOCCIOLAMENTO - ANTI-DRIP SYSTEM SYSTÈME ANTI-GOUTTE - LECKWASSER-AUFFANG- & ABLEITSYSTEM

Il dispositivo viene collegato al supporto doccia e fa sì che l'acqua, che entra accidentalmente nel foro di alloggiamento della doccia, venga convogliata nel serbatoio di raccolta e scaricata direttamente tramite l'apposito tubo di drenaggio. Una speciale valvola impedisce l'eventuale ritorno dell'acqua per effetto dei vasi comunicanti.

Connected to the hand shower deck mount the anti-drip system allows the water which enters accidentally into the deck mount to drain through the water collector which is connected directly to the drain. A no-return valve prevents any backwash water.

Le dispositif est connecté au support de la douche et permet à l'eau, qui pénètre accidentellement dans le trou dans lequel se loge la douche, d'être acheminée dans le réservoir de collecte et évacuée directement via le tuyau de drainage. Un clapet anti-retour empêche la remontée de l'eau.

Die Handbrause und der Schlauch sind im Leckwasserbehälter integriert. Sollte der Brauseschlauch Wasser verlaufen, wird das Wasser im Behälter aufgefangen direkt über das entsprechende Abflussrohr abgeleitet. Ein spezielles Ventil verhindert den Rückfluss des Wassers.



Il kit viene fornito con un adattatore universale per il collegamento a qualsiasi scarico precedentemente installato.

The kit comes complete with a universal adapter for connection with all types of pre-installed wastes.

Le kit est livré avec un adaptateur universel pour la connexion à n'importe quel tuyau d'évacuation existant.

Das Leckwasser-Auffang- & Ableitsystem wird mit einem universellen Adapter geliefert, an welche alle möglichen Ablaufrohre anmontiert werden können.



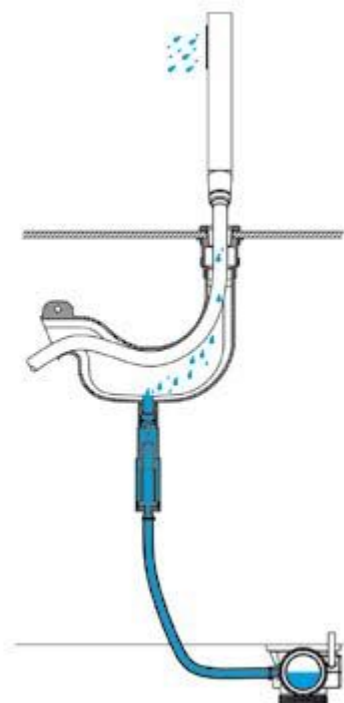
Kit doccia bordo vasca + sistema antigocciolamento completo di flessibile OT 150 cm e flex inox per collegamento alla rubinetteria.

Bathtub hand shower kit + anti-drip system complete with flexible hose (length 150 cm) and stainless steel flex cto be connecte to the diverter.

Kit de douche pour robinetterie de baignoire sur gorge + système anti goutte avec flexible de 150 cm et flexible inox pour le raccordement à la robinetterie.

Handbrausenset für Wannenrandmontage mit Leckwasser-Auffang- & Ableitsystem.

Schlauchlänge 150 cm. Für den Anschluss an die entsprechende Wannenrandarmatur.



Pulizia e manutenzione - Cleaning/maintenance

COSA FARE

Per una perfetta cura del vostro rubinetto è opportuno asciugare con un panno morbido i rubinetti dopo ogni utilizzo al fine di evitare che gocce di acqua lascino sulle superfici depositi di calcare difficili da rimuovere.

RUBINETTERIA CROMATA

In presenza di calcare o di aloni si consiglia l'uso di prodotti naturali, preservando quindi anche l'ambiente. Utilizzare un panno di cotone morbido con aceto bianco 1 parte da diluire sempre con 3 parti d'acqua

In alternativa è possibile utilizzare detergenti delicati a base di acido citrico

Ricordarsi di risciacquare con acqua e di asciugare alla perfezione

RUBINETTERIA IN FINITURA

Le rubinetterie con finiture colorate vanno pulite esclusivamente con un panno e acqua corrente o con un detergente estremamente delicato a PH neutro (7). Detergenti contenenti abrasivi o alcool, cosiddetti decalcificatori, sono infatti nemici dei rubinetti colorati

IMPORTANTE

Ridurre al minimo l'utilizzo di detergenti

COSA NON FARE

Non utilizzare detergenti a base di sostanze acide e fortemente corrosive (acido acetico, amminoacidi, idrossido di sodio e ipoclorito di sodio, acido fosforico, acido salino). Evitare spugne abrasive o paglie ruvide metalliche, panni in microfibra che potrebbero rovinare irreparabilmente la superficie

WHAT TO DO

Take perfect care of your tap by drying it with a soft cloth after each use so as to prevent drops of water from leaving deposits of limescale on the surfaces, which are difficult to remove.

CHROME TAPS

It is advisable to use natural products for limescale or streaks so as to also protect the environment. Use a soft cotton cloth with 1 part white vinegar diluted with 3 parts water

Alternatively, mild citric acid based detergent can be used

Remember to rinse with water and dry perfectly

TAPS WITH FINISH

Taps with a coloured finish must only be cleaned with a cloth and running water or with an extremely mild detergent with neutral PH (7). Detergents containing abrasives or alcohol, so-called descalers, are in fact enemies of coloured taps

IMPORTANT NOTE

Use detergents as least as possible

WHAT NOT TO DO

Do not use detergents containing acidic and highly corrosive substances (acetic acid, amino acids, sodium hydroxide and sodium hypochlorite, phosphoric acid, saline acid). Avoid abrasive sponges or rough metal scouring pads or microfibre cloths that could irreparably ruin the surface

QUOI FAIRE

Essuyez avec un chiffon doux et propre après chaque utilisation

ROBINETTERIE CHROMÉE

Les résidus de calcaire se forment surtout dans les angles et dans les jonctions. Pour les éliminer, nous vous conseillons un nettoyant délicat à base d'acide citrique. Ne pas le pulvériser directement sur la zone concernée mais sur un chiffon. En cas de taches de calcaire ou de halos, nettoyez la surface avec du vinaigre dilué avec de l'eau (1/3 de vinaigre, 2/3 d'eau) Rincez abondamment et essuyez avec un chiffon doux et propre après chaque utilisation

ROBINETS AVEC DES FINITIONS AUTRES QUE LE CHROME

Les robinets avec des finitions autres que le chrome doivent être nettoyés avec un chiffon doux et propre à l'eau tiède ou avec nettoyant très délicat au ph neutre (7). Évitez d'utiliser des produits de nettoyage contenant des substances abrasives et/ou à base de chlore comme l'eau de javel, l'acide chlorhydrique (muriatique), les détartrants, etc.

IMPORTANT

Réduire l'utilisation de détergents

CE QU'IL NE FAUT PAS FAIRE

Évitez d'utiliser des produits de nettoyage contenant des substances abrasives et/ou à base de chlore comme l'eau de javel, l'acide chlorhydrique (muriatique), acide acétique, acides aminés, hydroxyde de sodium et hypochlorite de sodium, acide phosphorique, acide salin), les détartrants, etc.

Ne pas utiliser d'outils contenant du fer, tels que les paillettes à récurer, les brosses ou les grattoirs en acier.

Ne pas utiliser les mousses abrasives, les brosses ou les chiffons microfibre.

VORGEHENSWEISE

Für eine perfekte Pflege Ihrer Armaturen ist es ratsam, die Hähne nach jedem Gebrauch mit einem weichen Lappen zu trocknen, um zu vermeiden, dass Wassertropfen Kalkrückstände an den Oberflächen hinterlassen, die nicht leicht zu entfernen sind.

VERCHROMTE ARMATUREN

Wenn Kalkrückstände oder -ränder vorhanden sind, ist es ratsam, natürliche Produkte zu verwenden, um dadurch auch die Umwelt zu schützen. Einen weichen Baumwolllappen mit weißem Essig verwenden, wobei 1 Teil Essig mit 3 Teilen Wasser verdünnt wird

Als Alternative können auch milde Reinigungsmittel auf Zitronensäurebasis verwendet werden

Nicht vergessen, mit Wasser abzuspülen und perfekt zu trocknen

ARMATUREN MIT FARBIGEM FINISH

Armaturen mit farbigem Finish dürfen nur mit einem Lappen und fließendem Wasser oder mit einem sehr milden Reinigungsmittel mit neutralen PH (7) gereinigt werden. Reinigungsmittel, die scheuernde Partikel oder Alkohol enthalten, also sogenannte Kalklösungsmittel, sind für farbige Armaturen sehr schädlich

WICHTIG

Den Gebrauch von Reinigungsmitteln auf ein Minimum reduzieren

VERMEIDEN

Keine Reinigungsmittel auf Basis von sauren und stark ätzenden Stoffen (Essigsäure, Aminosäuren, Natriumhydroxid und Natriumhypochlorit, Phosphorsäure, Salzsäure) verwenden. Keine Scheuerschwämme, rauen Topfreiniger aus Metall oder Mikrofasertücher benutzen, durch die die Armaturenoberfläche dauerhaft beschädigt werden könnte

Analytical Index

Art.	Pag.	Art.	Pag.	Art.	Pag.	Art.	Pag.
IT 0200 CC AH ZZ	212	IT 0495 CC ZZ ZZ	689	IT 2163 CC ZZ HF	734	IT 3616 CC PV ZZ	718
IT 0211 CC AH ZZ	200	IT 0495 CC ZZ ZZ	714	IT 2163 CC ZZ ZZ	678	IT 3617 CC PV ZZ	718
IT 0218 CC AH ZZ	204	IT 0495 CC ZZ ZZ	734	IT 2163 CC ZZ ZZ	695	IT 3618 CC PV ZZ	721
IT 0222 CC AH ZZ	200	IT 0496 CC ZZ ZZ	74	IT 2163 CC ZZ ZZ	722	IT 3620 CC PV ZZ	722
IT 0227 CC AH ZZ	202	IT 0496 CC ZZ ZZ	526	IT 2165 CC PY ZZ	684	IT 3624 CC PV ZZ	722
IT 0256 CC AH ZZ	221	IT 0496 CC ZZ ZZ	565	IT 2200 CC RN ZZ	256	IT 3627 CC PV ZZ	722
IT 0260 CC AH ZZ	218	IT 0496 CC ZZ ZZ	627	IT 2211 CC RN ZZ	240	IT 3629 CC PV ZZ	723
IT 0263 CC ZZ HF	215	IT 0497 CC ZZ ZZ	689	IT 2212 CC RN YY	245	IT 3630 CC PV ZZ	786
IT 0263 CC ZZ ZZ	210	IT 0497 CC ZZ ZZ	714	IT 2215 CC ZZ ZZ	569	IT 3631 CC PV ZZ	786
IT 0405 CC ZZ ZZ	90	IT 0498 CC ZZ ZZ	481	IT 2218 CC RN ZZ	240	IT 3633 CC PV ZZ	787
IT 0405 CC ZZ ZZ	155	IT 0498 CC ZZ ZZ	527	IT 2222 CC RN ZZ	254	IT 3635 CC PV ZZ	786
IT 0405 CC ZZ ZZ	171	IT 0498 CC ZZ ZZ	631	IT 2227 CC RN ZZ	240	IT 3638 CC PV ZZ	787
IT 0405 CC ZZ ZZ	189	IT 0499 CC ZZ ZZ	689	IT 2256 CC RN ZZ	269	IT 3656 CC PV ZZ	731
IT 0405 CC ZZ ZZ	229	IT 0499 CC ZZ ZZ	714	IT 2260 CC RN ZZ	269	IT 3683 CC PV ZZ	729
IT 0405 CC ZZ ZZ	254	IT 0706 CC KA ZZ	213	IT 2261 CC ZZ HF	259	IT 3688 CC PV ZZ	731
IT 0405 CC ZZ ZZ	289	IT 0716 CC KA ZZ	206	IT 2261 CC ZZ ZZ	253	IT 3690 CC PV ZZ	730
IT 0405 CC ZZ ZZ	348	IT 0770 CC KA ZZ	213	IT 2263 CC ZZ HF	259	IT 3695 CC PV ZZ	730
IT 0405 CC ZZ ZZ	381	IT 0863 CC ZZ ZZ	713	IT 2263 CC ZZ ZZ	253	IT 3A16 CC RO ZZ	106
IT 0405 CC ZZ ZZ	409	IT 0900 CC HE ZZ	174	IT 2268 CC RN ZZ	258	IT 3Z01 CC ZZ ZZ	756
IT 0405 CC ZZ ZZ	432	IT 0911 CC HE ZZ	168	IT 2269 CC RN ZZ	258	IT 3Z02 CC ZZ ZZ	747
IT 0405 CC ZZ ZZ	454	IT 0918 CC HE ZZ	168	IT 22A1 CC ZZ ZZ	571	IT 3Z02 CC ZZ ZZ	756
IT 0405 CC ZZ ZZ	470	IT 0956 CC HE ZZ	180	IT 2411 CC EL ZZ	200	IT 3Z02 CC ZZ ZZ	765
IT 0405 CC ZZ ZZ	501	IT 0960 CC HE ZZ	180	IT 2418 CC EL ZZ	204	IT 3Z05 CC ZZ ZZ	750
IT 0405 CC ZZ ZZ	537	IT 1000 CC XV ZZ	473	IT 2422 CC EL ZZ	200	IT 3Z06 CC ZZ ZZ	750
IT 0405 CC ZZ ZZ	816	IT 1006 CC XV ZZ	473	IT 2427 CC EL ZZ	203	IT 3Z11 CC ZZ ZZ	754
IT 0411 CC ZZ ZZ	75	IT 1015 CC XV ZZ	466	IT 2463 CC ZZ ZZ	210	IT 3Z24 CC ZZ ZZ	750
IT 0411 CC ZZ ZZ	139	IT 1016 CC XV ZZ	466	IT 2731 CC KL ZZ	779	IT 3Z36 CC ZZ ZZ	747
IT 0411 CC ZZ ZZ	222	IT 1024 CC XV ZZ	469	IT 2761 CC ZZ HF	436	IT 3Z36 CC ZZ ZZ	756
IT 0411 CC ZZ ZZ	326	IT 1030 CC XV ZZ	782	IT 2761 CC ZZ ZZ	431	IT 3Z36 CC ZZ ZZ	765
IT 0411 CC ZZ ZZ	528	IT 1031 CC XV ZZ	782	IT 2763 CC ZZ HF	436	IT 4401 CC OI ZZ	701
IT 0411 CC ZZ ZZ	565	IT 1070 CC XV ZZ	473	IT 2763 CC ZZ ZZ	431	IT 4406 CC OI ZZ	702
IT 0411 CC ZZ ZZ	645	IT 1090 CC XV ZZ	479	IT 2A11 CC RM ZZ	144	IT 4407 CC OI ZZ	701
IT 0421 CC ZZ ZZ	683	IT 1Z01 CC ZZ ZZ	765	IT 2A18 CC RM ZZ	144	IT 4410 CC OI ZZ	692
IT 0421 CC ZZ ZZ	699	IT 1Z04 BB ZZ 06	746	IT 2A22 CC RM CS	154	IT 4414 CC OI ZZ	695
IT 0421 CC ZZ ZZ	723	IT 1Z04 BB ZZ 06	754	IT 2A61 CC ZZ HF	158	IT 4416 CC OI ZZ	692
IT 0421 CC ZZ ZZ	817	IT 1Z04 BB ZZ 06	763	IT 2A61 CC ZZ ZZ	150	IT 4420 CC OI ZZ	698
IT 0425 CC ZZ ZZ	820	IT 1Z04 BB ZZ 10	744	IT 2A63 CC ZZ HF	158	IT 4424 CC OI ZZ	698
IT 0433 CC ZZ ZZ	683	IT 1Z04 BB ZZ 10	753	IT 2A63 CC ZZ ZZ	150	IT 4430 CC OI ZZ	784
IT 0433 CC ZZ ZZ	726	IT 1Z04 BB ZZ 10	762	IT 2A68 CC RM ZZ	156	IT 4435 CC OI ZZ	784
IT 0433 CC ZZ ZZ	817	IT 1Z05 CC ZZ ZZ	760	IT 2A69 CC RM ZZ	156	IT 4438 CC OI ZZ	786
IT 0452 CC ZZ ZZ	687	IT 1Z06 CC ZZ ZZ	760	IT 2B60 CC WA ZZ	39	IT 4456 CC OI ZZ	707
IT 0452 CC ZZ ZZ	714	IT 1Z07 CC ZZ ZZ	765	IT 2Z01 CC ZZ ZZ	747	IT 4483 CC OI ZZ	703
IT 0452 CC ZZ ZZ	734	IT 1Z11 CC ZZ ZZ	763	IT 2Z05 CC ZZ ZZ	743	IT 4488 CC OI ZZ	707
IT 0460 CC ZZ AB	817	IT 1Z13 CC ZZ ZZ	766	IT 2Z06 CC ZZ ZZ	743	IT 4490 CC OI ZZ	704
IT 0465 CC ZZ ZZ	66	IT 1Z16 CC ZZ ZZ	762	IT 2Z07 CC ZZ ZZ	747	IT 4495 CC OI ZZ	706
IT 0465 CC ZZ ZZ	124	IT 1Z17 CC ZZ ZZ	766	IT 2Z07 CC ZZ ZZ	756	IT 4B11 CC QT ZZ	56
IT 0465 CC ZZ ZZ	212	IT 1Z24 CC ZZ ZZ	760	IT 2Z11 CC ZZ ZZ	746	IT 4B18 CC QT ZZ	56
IT 0465 CC ZZ ZZ	317	IT 1Z36 BB ZZ ZZ	746	IT 2Z13 CC ZZ ZZ	749	IT 4B19 CC QT ZZ	63
IT 0465 CC ZZ ZZ	501	IT 1Z36 BB ZZ ZZ	754	IT 2Z13 CC ZZ ZZ	757	IT 4B22 CC QT ZZ	66
IT 0465 CC ZZ ZZ	555	IT 1Z36 BB ZZ ZZ	763	IT 2Z16 CC ZZ ZZ	744	IT 4B27 CC QT ZZ	56
IT 0465 CC ZZ ZZ	816	IT 1Z41 CC ZZ ZZ	744	IT 2Z16 CC ZZ ZZ	753	IT 4B61 CC ZZ HF	69
IT 0470 CC ZZ ZZ	726	IT 1Z41 CC ZZ ZZ	753	IT 2Z17 CC ZZ ZZ	749	IT 4B61 CC ZZ ZZ	63
IT 0470 CC ZZ ZZ	819	IT 1Z41 CC ZZ ZZ	762	IT 2Z17 CC ZZ ZZ	757	IT 4B63 CC ZZ HF	69
IT 0473 CC ZZ ZZ	466	IT 1Z73 CC ZZ ZZ	760	IT 2Z24 CC ZZ ZZ	743	IT 4B63 CC ZZ ZZ	63
IT 0473 CC ZZ ZZ	532	IT 2100 CC PY ZZ	684	IT 2Z73 CC ZZ ZZ	743	IT 5000 CC BM ZZ	454
IT 0480 CC ZZ ZZ	571	IT 2104 CC PY ZZ	684	IT 2Z73 CC ZZ ZZ	750	IT 5011 CC BM ZZ	448
IT 0480 CC ZZ ZZ	814	IT 2110 CC PY ZZ	678	IT 3216 CC KA ZZ	206	IT 5018 CC BM ZZ	448
IT 0483 CC ZZ ZZ	466	IT 2120 CC PY ZZ	683	IT 3601 CC PV ZZ	726	IT 5022 CC BM ZZ	452
IT 0483 CC ZZ ZZ	532	IT 2130 CC PY ZZ	784	IT 3606 CC PV ZZ	729	IT 5027 CC BM ZZ	448
IT 0486 CC ZZ ZZ	526	IT 2134 CC PL ZZ	784	IT 3607 CC PV ZZ	726	IT 5050 CC BM ZZ	454
IT 0486 CC ZZ ZZ	564	IT 2156 CC PY ZZ	687	IT 3610 CC PV ZZ	718	IT 5056 CC BM ZZ	459
IT 0486 CC ZZ ZZ	629	IT 2160 CC PY ZZ	687	IT 3612 CC PV ZZ	721	IT 5060 CC BM ZZ	461
IT 0491 CC ZZ ZZ	817	IT 2163 CC ZZ HF	684	IT 3614 CC PV ZZ	721	IT 5061 CC ZZ HF	456
IT 0492 CC ZZ ZZ	818	IT 2163 CC ZZ HF	713	IT 3615 CC PV ZZ	721	IT 5061 CC ZZ ZZ	452

Art.	Pag.	Art.	Pag.	Art.	Pag.	Art.	Pag.
IT 5063 CC ZZ HF	456	IT 5922 CC BF ZZ	226	IT 6576 CC ZZ ZZ	577	IT 7000 CC PD ZZ	192
IT 5063 CC ZZ ZZ	452	IT 5960 CC BF ZZ	230	IT 6577 CC ZZ ZZ	499	IT 7011 CC PD ZZ	186
IT 5110 CC TL ZZ	370	IT 5B11 CC Z4 ZZ	80	IT 6577 CC ZZ ZZ	578	IT 7018 CC PD ZZ	186
IT 5110 CC TM ZZ	370	IT 5B11 CC ZT ZZ	78	IT 6578 CC ZZ ZZ	674	IT 7022 CC PD ZZ	189
IT 5111 CC TL ZZ	370	IT 5B18 CC Z4 ZZ	80	IT 6579 CC ZZ ZZ	393	IT 7027 CC PD ZZ	186
IT 5111 CC TM ZZ	370	IT 5B18 CC ZT ZZ	78	IT 6580 CC ZZ ZZ	393	IT 7054 CC PD ZZ	196
IT 5118 CC TM ZZ	373	IT 5B22 CC ZT ZZ	87	IT 6581 CC ZZ ZZ	441	IT 7060 CC PD ZZ	196
IT 5120 CC TL ZZ	379	IT 5B27 CC Z4 ZZ	80	IT 6581 CC ZZ ZZ	462	IT 7200 CC XR ZZ	537
IT 5120 CC TM ZZ	379	IT 5B27 CC ZT ZZ	78	IT 6582 CC ZZ ZZ	393	IT 7206 CC XR ZZ	537
IT 5122 CC TL ZZ	379	IT 5B61 CC ZZ ZZ	86	IT 6583 CC ZZ ZZ	665	IT 7215 CC XR ZZ	532
IT 5122 CC TM ZZ	379	IT 5B63 CC ZZ HF	99	IT 6586 CC ZZ VS	99	IT 7216 CC XR ZZ	532
IT 5127 CC TM ZZ	373	IT 5B63 CC ZZ ZZ	86	IT 6586 CC ZZ VS	363	IT 7220 CC XR ZZ	536
IT 5156 CC TM ZZ	391	IT 6200 CC XE ZZ	432	IT 6586 CC ZZ VS	395	IT 7224 CC XR ZZ	536
IT 5160 CC TM ZZ	390	IT 6210 CC XE ZZ	424	IT 6586 CC ZZ VS	420	IT 7256 CC XR ZZ	544
IT 5161 CC ZZ ZZ	378	IT 6211 CC XE ZZ	424	IT 6586 CC ZZ VS	462	IT 7261 CC ZZ HF	479
IT 5163 CC ZZ HF	385	IT 6212 CC XE ZZ	427	IT 6586 CC ZZ VS	481	IT 7261 CC ZZ ZZ	469
IT 5163 CC ZZ ZZ	378	IT 6218 CC XE ZZ	424	IT 6586 CC ZZ VS	526	IT 7261 CC ZZ ZZ	536
IT 5165 CC TM ZZ	384	IT 6220 CC XE ZZ	432	IT 6586 CC ZZ VS	546	IT 7263 CC ZZ HF	479
IT 5400 CC BF ZZ	409	IT 6256 CC XE ZZ	440	IT 6587 CC ZZ VS	101	IT 7263 CC ZZ ZZ	469
IT 5410 CC NA ZZ	400	IT 6260 CC XE ZZ	440	IT 6587 CC ZZ VS	364	IT 7263 CC ZZ ZZ	536
IT 5411 CC NA ZZ	400	IT 6268 CC XE ZZ	434	IT 6587 CC ZZ VS	396	IT 7270 CC XR ZZ	538
IT 5418 CC NA ZZ	403	IT 6269 CC XE ZZ	434	IT 6587 CC ZZ VS	420	IT 7279 CC XR ZZ	545
IT 5427 CC NA ZZ	400	IT 6501 CC ZZ ZZ	669	IT 6587 CC ZZ VS	442	IT 7284 CC XC ZZ	470
IT 5428 CC NA ZZ	400	IT 6510 CC ZZ ZZ	74	IT 6587 CC ZZ VS	463	IT 7284 CC XR ZZ	538
IT 5456 CC BF ZZ	419	IT 6510 CC ZZ ZZ	628	IT 6587 CC ZZ VS	481	IT 7288 CC XC ZZ	480
IT 5460 CC BF ZZ	419	IT 6511 CC ZZ VS	101	IT 6587 CC ZZ VS	526	IT 7288 CC XC ZZ	671
IT 5461 CC ZZ HF	414	IT 6511 CC ZZ VS	364	IT 6587 CC ZZ VS	547	IT 7300 CC XQ ZZ	555
IT 5461 CC ZZ ZZ	409	IT 6511 CC ZZ VS	442	IT 6591 CC ZZ ZZ	221	IT 7306 CC XQ ZZ	555
IT 5463 CC ZZ HF	414	IT 6511 CC ZZ VS	463	IT 6591 CC ZZ ZZ	628	IT 7315 CC XQ ZZ	550
IT 5463 CC ZZ ZZ	408	IT 6511 CC ZZ VS	627	IT 6593 CC ZZ CP	226	IT 7316 CC XQ ZZ	550
IT 5501 CC LL ZZ	776	IT 6512 CC ZZ VS	99	IT 6595 CC ZZ ZZ	165	IT 7320 CC XQ ZZ	552
IT 5502 CC EA ZZ	780	IT 6512 CC ZZ VS	363	IT 6595 CC ZZ ZZ	299	IT 7324 CC XQ ZZ	552
IT 5503 CC EA ZZ	779	IT 6512 CC ZZ VS	462	IT 6595 CC ZZ ZZ	645	IT 7356 CC XQ ZZ	562
IT 5505 CC VL ZZ	776	IT 6512 CC ZZ VS	629	IT 6A00 CC HA ZZ	290	IT 7361 CC ZZ HF	562
IT 5507 CC EA ZZ	776	IT 6515 CC ZZ ZZ	629	IT 6A11 CC HA ZZ	274	IT 7361 CC ZZ ZZ	552
IT 5508 CC EA ZZ	776	IT 6522 CC VL ZZ	663	IT 6A18 CC HA ZZ	274	IT 7363 CC ZZ HF	562
IT 5544 CC EA ZZ	780	IT 6523 CC VL ZZ	441	IT 6A19 CC HA ZZ	288	IT 7363 CC ZZ ZZ	552
IT 5631 CC QQ ZZ	779	IT 6523 CC VL ZZ	461	IT 6A22 CC HA ZZ	289	IT 7370 CC XQ ZZ	556
IT 5641 CC QQ ZZ	779	IT 6523 CC VL ZZ	663	IT 6A27 CC HA ZZ	274	IT 7379 CC XQ ZZ	563
IT 5653 CC QQ ZZ	672	IT 6525 CC XM ZZ	523	IT 6A50 CC HA ZZ	290	IT 7384 CC XQ ZZ	556
IT 5660 CC QQ ZZ	670	IT 6525 CC XM ZZ	563	IT 6A56 CC HA ZZ	299	IT 7510 CC EA ZZ	486
IT 5756 CC VL ZZ	360	IT 6525 CC XM ZZ	666	IT 6A61 CC ZZ HF	292	IT 7511 CC EA ZZ	486
IT 5761 CC ZZ HF	352	IT 6529 CC ZZ ZZ	101	IT 6A61 CC ZZ ZZ	287	IT 7520 CC EA ZZ	500
IT 5761 CC ZZ ZZ	346	IT 6529 CC ZZ ZZ	165	IT 6A63 CC ZZ HF	292	IT 7561 CC ZZ HF	508
IT 5763 CC ZZ HF	352	IT 6529 CC ZZ ZZ	270	IT 6A63 CC ZZ ZZ	287	IT 7561 CC ZZ HF	544
IT 5763 CC ZZ ZZ	346	IT 6529 CC ZZ ZZ	299	IT 6B00 CC UP ZZ	502	IT 7561 CC ZZ ZZ	498
IT 5768 CC VL ZZ	351	IT 6529 CC ZZ ZZ	367	IT 6B00 CC VL ZZ	349	IT 7561 CC ZZ ZZ	576
IT 5769 CC VL ZZ	351	IT 6529 CC ZZ ZZ	396	IT 6B01 CC UP ZZ	350	IT 7563 CC ZZ HF	508
IT 5830 CC VL ZZ	780	IT 6529 CC ZZ ZZ	421	IT 6B01 CC UP ZZ	672	IT 7563 CC ZZ HF	544
IT 5831 CC VL ZZ	780	IT 6529 CC ZZ ZZ	444	IT 6B10 CC UP CL	337	IT 7563 CC ZZ ZZ	498
IT 5845 CC VL ZZ	363	IT 6529 CC ZZ ZZ	463	IT 6B10 CC UP ZZ	332	IT 7563 CC ZZ ZZ	576
IT 5845 CC VL ZZ	520	IT 6529 CC ZZ ZZ	483	IT 6B11 CC UP CL	337	IT 7600 CC MT ZZ	502
IT 5845 CC VL ZZ	671	IT 6529 CC ZZ ZZ	527	IT 6B11 CC UP ZZ	332	IT 7611 CC XM ZZ	489
IT 5845 CC VZ ZZ	544	IT 6529 CC ZZ ZZ	547	IT 6B18 CC UP ZZ	338	IT 7620 CC XM ZZ	501
IT 5853 CC VL ZZ	363	IT 6529 CC ZZ ZZ	645	IT 6B19 CC UP ZZ	338	IT 7645 CC XM ZZ	520
IT 5853 CC VL ZZ	672	IT 6531 CC ZZ ZZ	184	IT 6B20 CC UP ZZ	347	IT 7645 CC XM ZZ	562
IT 5854 CC VL ZZ	523	IT 6566 CC ZZ ZZ	221	IT 6B22 CC UP ZZ	347	IT 7645 CC XM ZZ	671
IT 5854 CC VL ZZ	665	IT 6566 CC ZZ ZZ	630	IT 6B24 CC UP ZZ	332	IT 7656 CC MT ZZ	520
IT 5854 CC VZ ZZ	545	IT 6570 CC ZZ ZZ	481	IT 6B25 CC UP ZZ	332	IT 7660 CC MT ZZ	522
IT 5856 CC VL ZZ	520	IT 6570 CC ZZ ZZ	527	IT 6B27 CC UP ZZ	337	IT 7661 CC ZZ HF	508
IT 5868 CC VL ZZ	505	IT 6570 CC ZZ ZZ	631	IT 6B50 CC VL ZZ	350	IT 7661 CC ZZ ZZ	498
IT 5869 CC VL ZZ	505	IT 6576 CC ZZ ZZ	87	IT 6B60 CC VL ZZ	360	IT 7661 CC ZZ ZZ	576
IT 5900 CC BF ZZ	229	IT 6576 CC ZZ ZZ	347	IT 6B60 CC VL ZZ	522	IT 7663 CC ZZ HF	508
IT 5911 CC BF ZZ	226	IT 6576 CC ZZ ZZ	499	IT 6B60 CC VL ZZ	667	IT 7663 CC ZZ ZZ	498

Analytical Index

Art.	Pag.	Art.	Pag.	Art.	Pag.	Art.	Pag.
IT 7663 CC ZZ ZZ	576	IT RTAE 139 ZZ	828	IT RTGA 122 CC	367	IT RTVT 170 ZZ	823
IT 7668 CC MT ZZ	505	IT RTAE 142 CC	828	IT RTGA 123 CC	102	IT RTVT 171 ZZ	823
IT 7669 CC MT ZZ	505	IT RTAE 145 ZZ	828	IT RTGA 123 CC	165	IT RTVT 172 ZZ	823
IT 7A06 CC KO ZZ	124	IT RTAE 149 CC	828	IT RTGA 123 CC	270	IT RTVT 173 ZZ	823
IT 7A14 CC KO ZZ	109	IT RTAE 154 ZZ	828	IT RTGA 123 CC	300	IT RTVT 174 ZZ	823
IT 7A16 CC KO ZZ	109	IT RTAE 158 ZZ	828	IT RTGA 123 CC	367	IT RTVT 175 ZZ	823
IT 7A24 CC KO ZZ	122	IT RTAE 164 CC	828	IT RTGA 123 CC	396	IT RTVT 176 ZZ	823
IT 7A27 CC KO ZZ	119	IT RTAE 180 ZZ	828	IT RTGA 123 CC	421	IT RTVT 179 ZZ	823
IT 7A61 CC ZZ HF	127	IT RTAE 182 ZZ	828	IT RTGA 123 CC	444	IT RTVT 187 NI	823
IT 7A61 CC ZZ ZZ	119	IT RTAE 186 ZZ	828	IT RTGA 123 CC	463	IT RTVT 189 ZZ	823
IT 7A63 CC ZZ HF	127	IT RTAE 187 ZZ	828	IT RTGA 123 CC	483	IT RTVT 190 ZZ	824
IT 7A63 CC ZZ ZZ	118	IT RTAE 189 ZZ	829	IT RTGA 123 CC	527	IT RTVT 211 ZZ	824
IT 7A70 CC KO ZZ	125	IT RTAT 105 ZZ	830	IT RTGA 123 CC	547	IT RTVT 212 ZZ	824
IT 8201 CC ZZ ZZ	770	IT RTAT 111 ZZ	830	IT RTGA 123 CC	690	IT RTVT 213 ZZ	824
IT 8203 CC ZZ PP	769	IT RTAT 112 ZZ	830	IT RTGA 123 CC	716	IT RTVT 222 ZZ	824
IT 8204 CC ZZ PP	769	IT RTAT 114 ZZ	830	IT RTGA 123 CC	735	IT RTVT 223 ZZ	824
IT 8205 CC ZZ ZZ	769	IT RTAT 116 ZZ	820	IT RTGA 125 CC	183	IT RTVT 232 CC	824
IT 8211 CC ZZ ZZ	773	IT RTAT 118 ZZ	830	IT RTGA 127 CC	184	IT RTVT 233 CC	824
IT 8213 CC ZZ PP	773	IT RTAT 119 ZZ	830	IT RTGA 133 CC	651	IT RTVT 247 ZZ	824
IT 8220 CC ZZ ZZ	770	IT RTAT 120 ZZ	830	IT RTMT 142 CC	571	IT RTVT 250 ZZ	824
IT 8221 CC ZZ ZZ	770	IT RTAT 136 ZZ	830	IT RTMT 208 ZZ	822	IT RTVT 254 ZZ	824
IT 8222 CC ZZ ZZ	769	IT RTBR 124 CC	736	IT RTRB 190 CC	571	IT RTVT 255 ZZ	824
IT 8224 CC ZZ ZZ	769	IT RTBR 126 CC	183	IT RTRG 106 CC	829	IT RTVT 259 ZZ	824
IT 8225 CC ZZ VV	770	IT RTBR 144 CC	643	IT RTSA 114 CC	229	IT RTVT 261 ZZ	824
IT 8227 CC ZZ ZZ	770	IT RTBR 203 CC	76	IT RTSA 117 CC	66	IT RTVT 266 ZZ	825
IT 8228 CC ZZ ZZ	773	IT RTBR 203 CC	329	IT RTSA 117 CC	90	IT RTVT 267 ZZ	825
IT 8241 CC ZZ ZZ	769	IT RTBR 203 CC	566	IT RTSA 117 CC	122	IT RTVT 273 ZZ	825
IT 8B00 CC QF ZZ	317	IT RTBR 205 CC	368	IT RTSA 117 CC	154	IT RTVT 277 ZZ	825
IT 8B11 CC QF ZZ	304	IT RTBR 205 CC	484	IT RTSA 117 CC	171	IT RTVT 279 ZZ	825
IT 8B18 CC QF ZZ	304	IT RTBR 205 CC	529	IT RTSA 117 CC	189	IT RTVT 280 ZZ	825
IT 8B22 CC QF ZZ	316	IT RTBR 205 CC	548	IT RTSA 117 CC	210	IT RTVT 299 ZZ	825
IT 8B27 CC QF ZZ	304	IT RTBR 224 CC	649	IT RTSA 117 CC	254	RWAA 7282 CC 75	497
IT 8B56 CC QF ZZ	325	IT RTBR 258 CC	646	IT RTSA 117 CC	289	RWAA 7282 CC 75	578
IT 8B60 CC QF ZZ	325	IT RTBR 300 CC	615	IT RTSA 117 CC	317	RWAA 7382 CC 75	497
IT 8B61 CC ZZ HF	321	IT RTBR 376 CC	162	IT RTSA 117 CC	348	RWAA 7382 CC 75	579
IT 8B61 CC ZZ ZZ	316	IT RTBR 380 CC	138	IT RTSA 117 CC	381	RWAA 7482 CC 75	579
IT 8B63 CC ZZ HF	321	IT RTBR 382 CC	444	IT RTSA 117 CC	409	RWDU 7352 ZZ 02	808
IT 8B63 CC ZZ ZZ	316	IT RTBR 382 CC	626	IT RTSA 117 CC	432	RWIT 0099 ZZ 70	793
IT 8B68 CC QF ZZ	320	IT RTBR 384 CC	623	IT RTSA 117 CC	454	RWIT 0203 CC 20	212
IT 8B69 CC QF ZZ	320	IT RTBR 419 ZZ 50	829	IT RTSA 117 CC	470	RWIT 0214 CC 10	205
IT 9B70 CC ZZ ZZ	624	IT RTBR 424 CC	635	IT RTSA 117 CC	501	RWIT 0247 CC 01	221
IT 9B91 CC ZZ W7	52	IT RTBR 506 CC	52	IT RTSA 117 CC	537	RWIT 02A2 CC 01	216
IT 9B91 CC ZZ ZZ	621	IT RTBS 111 CC	676	IT RTSA 117 CC	555	RWIT 02A3 CC 01	216
IT RTAE 101 CC	826	IT RTBS 114 CC	676	IT RTSA 117 CC	683	RWIT 02B1 CC 01	216
IT RTAE 105 CC	826	IT RTBS 114 NN	676	IT RTSA 117 CC	699	RWIT 02C2 CC 01	217
IT RTAE 106 CC	826	IT RTDO 124 CC	737	IT RTSA 117 CC	723	RWIT 02C3 CC 01	217
IT RTAE 107 CC	826	IT RTDO 160 CC	650	IT RTSA 117 CC	814	RWIT 02C5 CC 01	206
IT RTAE 110 CC	826	IT RTEL 024 ZZ	585	IT RTSA 117 CC	822	RWIT 02C8 CC 01	210
IT RTAE 111 ZZ	826	IT RTEL 026 ZZ 02	584	IT RTSA 117 CC	822	RWIT 02C8 CC 01	216
IT RTAE 112 CC	826	IT RTEL 040 ZZ 01	106	IT RTSA 117 CC	822	RWIT 02D4 CC 01	215
IT RTAE 114 CC	826	IT RTEL 040 ZZ 01	821	IT RTSA 117 CC	822	RWIT 02D4 CC 05	222
IT RTAE 121 CC	827	IT RTFL 215 CC	738	IT RTSA 117 CC	822	RWIT 02D8 CC 01	213
IT RTAE 123 ZZ	827	IT RTFL 523 CC	40	IT RTSA 117 CC	822	RWIT 02D9 CC 01	215
IT RTAE 124 CC	827	IT RTFL 523 CC	54	IT RTSA 117 CC	822	RWIT 0408 CC 05	254
IT RTAE 126 ZZ	827	IT RTFL 525 CC	654	IT RTSA 117 CC	822	RWIT 0408 CC 05	289
IT RTAE 128 ZZ	827	IT RTGA 101 CC	738	IT RTSA 117 CC	822	RWIT 0408 CC 05	816
IT RTAE 129 ZZ	827	IT RTGA 119 CC	75	IT RTSA 117 CC	822	RWIT 0706 CC 25	213
IT RTAE 130 ZZ	827	IT RTGA 119 CC	140	IT RTSA 117 CC	822	RWIT 0752 CC 15	209
IT RTAE 131 ZZ	827	IT RTGA 119 CC	222	IT RTSA 117 CC	822	RWIT 0752 ZZ 04	798
IT RTAE 132 ZZ	827	IT RTGA 119 CC	326	IT RTSA 117 CC	822	RWIT 0910 ZZ 05	829
IT RTAE 134 ZZ	827	IT RTGA 119 CC	528	IT RTSA 117 CC	823	RWIT 0910 ZZ 07	829
IT RTAE 135 ZZ	827	IT RTGA 119 CC	565	IT RTSA 117 CC	823	RWIT 0947 CC 01	183
IT RTAE 136 ZZ	827	IT RTGA 122 CC	271	IT RTSA 117 CC	823	RWIT 0947 CC 25	183
IT RTAE 137 ZZ	828	IT RTGA 122 CC	300	IT RTSA 117 CC	823	RWIT 0951 CC 10	168

Art.	Pag.	Art.	Pag.	Art.	Pag.	Art.	Pag.
RWIT 09A2 CC 01	175	RWIT 22D9 CC 01	257	RWIT 2B90 ZZ 30	794	RWIT 4BC6 CC 01	59
RWIT 09A3 CC 01	175	RWIT 2414 CC 10	205	RWIT 2B91 CC 01	35	RWIT 4BC7 CC 01	62
RWIT 09B1 CC 01	175	RWIT 24C5 CC 01	206	RWIT 2B91 ZZ 30	794	RWIT 4BC8 CC 01	69
RWIT 09C8 CC 01	175	RWIT 2608 CC 25	808	RWIT 2B92 CC 01	35	RWIT 4BC8 ZZ 10	825
RWIT 1015 CC 03	466	RWIT 2608 CC 70	798	RWIT 2B92 ZZ 30	795	RWIT 4BC9 CC 01	62
RWIT 1015 CC 03	532	RWIT 2649 CC 50	808	RWIT 2B92 ZZ 50	809	RWIT 4BD4 CC 01	68
RWIT 1040 CC 02	480	RWIT 2649 CC 70	798	RWIT 2B94 CC 01	30	RWIT 4BD4 CC 02	75
RWIT 1040 ZZ 01	798	RWIT 2705 CC 74	102	RWIT 2B94 ZZ 30	795	RWIT 4BD4 CC 02	675
RWIT 1052 CC 05	466	RWIT 2705 CC 74	270	RWIT 2B97 CC 01	35	RWIT 4BD7 CC 01	68
RWIT 1060 CC 05	469	RWIT 2705 CC 74	367	RWIT 2B97 ZZ 30	795	RWIT 4BD8 CC 01	68
RWIT 10D5 CC 01	480	RWIT 2705 CC 74	396	RWIT 2B98 CC 01	35	RWIT 4BD9 CC 01	68
RWIT 10D5 CC 01	602	RWIT 2705 CC 74	421	RWIT 2B98 ZZ 30	795	RWIT 50A2 CC 01	458
RWIT 10D6 CC 01	480	RWIT 2705 CC 74	445	RWIT 2BE4 CC 01	34	RWIT 50A3 CC 01	458
RWIT 10D6 CC 01	602	RWIT 2705 CC 74	464	RWIT 2BE4 ZZ 30	796	RWIT 50A5 CC 01	451
RWIT 1210 CC 01	271	RWIT 2705 CC 74	483	RWIT 2BE5 CC 01	34	RWIT 50A6 CC 01	451
RWIT 1395 ZZ 01	583	RWIT 2705 CC 74	528	RWIT 2BE5 ZZ 30	796	RWIT 50B1 CC 01	456
RWIT 1Z40 CC 01	744	RWIT 2705 CC 74	547	RWIT 2BF4 CC 01	34	RWIT 50C2 CC 01	458
RWIT 1Z40 CC 01	753	RWIT 2705 CC 74	647	RWIT 2BF4 ZZ 30	796	RWIT 50C3 CC 01	458
RWIT 1Z40 CC 01	762	RWIT 2705 CC 75	164	RWIT 2BF5 CC 01	34	RWIT 50C5 CC 01	451
RWIT 2106 CC 04	689	RWIT 2705 CC 75	300	RWIT 2BF5 ZZ 30	796	RWIT 50C6 CC 01	451
RWIT 2106 CC 07	736	RWIT 2705 CC 75	648	RWIT 2BF6 CC 01	34	RWIT 50C8 CC 01	452
RWIT 2106 CC 30	737	RWIT 2707 CC 01	442	RWIT 2BF6 CC 25	40	RWIT 50C8 CC 01	456
RWIT 2108 CC 80	686	RWIT 2707 CC 01	629	RWIT 2BF6 CC 25	50	RWIT 50D4 CC 01	455
RWIT 2149 CC 80	686	RWIT 2707 CC 05	642	RWIT 2BF6 CC 55	648	RWIT 50D4 CC 05	464
RWIT 2165 CC 25	702	RWIT 2710 CC 04	424	RWIT 2BF6 ZZ 40	797	RWIT 50D7 CC 01	455
RWIT 2165 CC 25	729	RWIT 2765 CC 25	258	RWIT 3252 CC 15	209	RWIT 50D8 CC 01	455
RWIT 21B1 CC PY	686	RWIT 2765 CC 25	351	RWIT 3310 ZZ 07	829	RWIT 50D9 CC 01	455
RWIT 21C5 CC PY	678	RWIT 2765 CC 25	436	RWIT 3607 CC 75	818	RWIT 5103 CC TM	383
RWIT 21C8 CC PY	678	RWIT 2765 CC 25	473	RWIT 3640 CC 86	733	RWIT 5114 CC TM	374
RWIT 21C8 CC PY	686	RWIT 2765 CC 25	507	RWIT 3652 CC 12	718	RWIT 5147 CC 01	393
RWIT 21D4 CC PY	690	RWIT 2765 CC 25	538	RWIT 3652 ZZ 01	799	RWIT 51A2 CC 02	388
RWIT 2203 CC 01	256	RWIT 2765 CC 25	584	RWIT 3652 ZZ 50	810	RWIT 51A2 CC TM	386
RWIT 2214 CC 01	245	RWIT 2895 ZZ 05	584	RWIT 3662 CC 02	733	RWIT 51A3 CC 02	388
RWIT 2247 CC 01	270	RWIT 2A03 CC 01	156	RWIT 3665 CC 04	733	RWIT 51A3 CC 02	388
RWIT 2249 CC 80	261	RWIT 2A11 ZZ 40	825	RWIT 3667 CC 01	735	RWIT 51A3 CC TM	386
RWIT 2259 CC 80	259	RWIT 2A14 CC 01	149	RWIT 3667 CC 03	737	RWIT 51A5 CC 02	377
RWIT 2268 CC 10	253	RWIT 2A20 CC 02	154	RWIT 3687 CC 57	732	RWIT 51A5 CC TM	376
RWIT 2268 CC 10	258	RWIT 2A68 CC 02	150	RWIT 4167 CC 02	737	RWIT 51A5 ZZ 01	790
RWIT 2295 CC 10	574	RWIT 2A68 CC 05	158	RWIT 4440 CC 01	711	RWIT 51A5 ZZ 80	810
RWIT 22A2 CC 03	261	RWIT 2AA2 CC 02	161	RWIT 4440 ZZ 01	799	RWIT 51A6 CC 02	377
RWIT 22A2 CC 06	808	RWIT 2AA3 CC 02	161	RWIT 4452 CC 01	694	RWIT 51A6 CC TM	376
RWIT 22A2 ZZ 01	790	RWIT 2AA5 CC 04	144	RWIT 4452 ZZ 03	800	RWIT 51A8 ZZ 03	790
RWIT 22A3 CC 03	261	RWIT 2AA5 ZZ 40	825	RWIT 4462 CC 40	712	RWIT 51A8 ZZ 90	793
RWIT 22A5 CC BC	247	RWIT 2AA6 CC 04	144	RWIT 4462 ZZ 72	800	RWIT 51B1 CC TM	386
RWIT 22A6 CC 01	247	RWIT 2AB1 CC 04	159	RWIT 4465 ZZ 72	800	RWIT 51B1 ZZ 03	790
RWIT 22A7 CC BC	248	RWIT 2AC2 CC 02	161	RWIT 4467 CC 01	715	RWIT 51C2 CC 02	389
RWIT 22A9 CC 01	250	RWIT 2AC3 CC 02	161	RWIT 4467 CC 05	736	RWIT 51C2 CC TM	388
RWIT 22B1 CC 01	261	RWIT 2AC5 CC 04	149	RWIT 4487 CC 01	709	RWIT 51C3 CC 02	389
RWIT 22B2 CC BC	251	RWIT 2AC6 CC 04	149	RWIT 4B47 CC 01	72	RWIT 51C3 CC TM	388
RWIT 22B3 CC 01	251	RWIT 2AC8 CC 02	150	RWIT 4B47 CC 01	633	RWIT 51C5 CC 02	377
RWIT 22C2 CC 01	262	RWIT 2AC8 CC 02	159	RWIT 4BA2 CC 01	71	RWIT 51C5 CC TM	376
RWIT 22C3 CC 01	262	RWIT 2AD4 CC 01	159	RWIT 4BA2 CC 01	594	RWIT 51C5 ZZ 90	792
RWIT 22C5 CC BC	247	RWIT 2AD4 CC 02	166	RWIT 4BA3 CC 01	71	RWIT 51C6 CC 02	377
RWIT 22C6 CC 01	248	RWIT 2AD7 CC 01	155	RWIT 4BA3 CC 01	594	RWIT 51C6 CC TM	376
RWIT 22C7 CC BC	250	RWIT 2AD8 CC 01	155	RWIT 4BA5 CC 01	59	RWIT 51C8 CC TM	378
RWIT 22C8 CC 01	253	RWIT 2AD9 CC 01	155	RWIT 4BA6 CC 01	59	RWIT 51C8 CC TM	385
RWIT 22C8 CC 01	259	RWIT 2B86 CC 01	30	RWIT 4BA7 CC 01	62	RWIT 51D4 CC TM	384
RWIT 22C9 CC 01	250	RWIT 2B86 CC 55	809	RWIT 4BA9 CC 01	62	RWIT 51D4 CC WM	397
RWIT 22D2 CC BC	251	RWIT 2B86 ZZ 30	794	RWIT 4BB1 CC 01	69	RWIT 51D7 CC TM	381
RWIT 22D3 CC 01	252	RWIT 2B86 ZZ 90	825	RWIT 4BC2 CC 01	71	RWIT 51D7 ZZ 12	791
RWIT 22D4 CC 01	257	RWIT 2B89 CC 01	30	RWIT 4BC2 CC 01	594	RWIT 51D7 ZZ 50	793
RWIT 22D4 CC 02	271	RWIT 2B89 ZZ 30	794	RWIT 4BC3 CC 01	71	RWIT 51D8 CC TM	382
RWIT 22D7 CC 01	257	RWIT 2B89 ZZ 50	809	RWIT 4BC3 CC 01	594	RWIT 51D9 CC TM	382
RWIT 22D8 CC 01	257	RWIT 2B89 ZZ 55	809	RWIT 4BC5 CC 01	59	RWIT 51D9 ZZ 01	791
		RWIT 2B90 CC 01	30	RWIT 4BC5 CC 05	63	RWIT 51D9 ZZ 50	793

Analytical Index

Art.	Pag.	Art.	Pag.	Art.	Pag.	Art.	Pag.
RWIT 5403 CC 03	412	RWIT 5BA6 CC Z4	81	RWIT 6594 CC 01	656	RWIT 6BD4 CC 01	352
RWIT 5408 CC 60	811	RWIT 5BB1 CC 01	95	RWIT 6599 CC 01	419	RWIT 6BD4 CC 02	368
RWIT 5414 CC 10	408	RWIT 5BC2 CC 02	96	RWIT 6599 CC 01	633	RWIT 6BD4 CC 02	675
RWIT 5447 CC 02	420	RWIT 5BC3 CC 02	98	RWIT 6917 ZZ 06	825	RWIT 6BD7 CC 02	348
RWIT 5447 NN 04	422	RWIT 5BC5 CC 02	85	RWIT 6A08 CC 70	801	RWIT 6BD8 CC 01	348
RWIT 5449 CC 70	800	RWIT 5BC5 CC Z4	85	RWIT 6A47 CC 01	299	RWIT 6BD9 CC 01	352
RWIT 5449 CC 80	415	RWIT 5BC6 CC 02	85	RWIT 6A47 CC 01	326	RWIT 7000 CC 01	198
RWIT 5449 CC 90	811	RWIT 5BC6 CC Z4	85	RWIT 6A49 CC 70	801	RWIT 7003 CC 10	192
RWIT 5459 CC 70	801	RWIT 5BC8 CC 01	86	RWIT 6A49 CC 80	293	RWIT 7003 ZZ 09	802
RWIT 5459 CC 80	414	RWIT 5BC8 CC 01	94	RWIT 6A59 CC 80	293	RWIT 7007 CC 01	198
RWIT 54A2 CC 03	415	RWIT 5BD4 CC 01	94	RWIT 6AA2 CC 01	295	RWIT 7051 CC 05	198
RWIT 54A3 CC 03	415	RWIT 5BD4 CC 05	102	RWIT 6AA3 CC 01	295	RWIT 7051 CC 10	189
RWIT 54A5 CC 02	404	RWIT 5BD7 CC 01	90	RWIT 6AA5 CC BC	279	RWIT 7051 ZZ 07	802
RWIT 54A6 CC 02	404	RWIT 5BD8 CC 01	93	RWIT 6AA6 CC 03	279	RWIT 70A2 CC 01	193
RWIT 54B1 CC 02	415	RWIT 5BD9 CC 01	93	RWIT 6AA7 CC BC	280	RWIT 70A3 CC 01	193
RWIT 54C2 CC 03	416	RWIT 6203 CC 10	433	RWIT 6AA9 CC 01	281	RWIT 70B1 CC 01	193
RWIT 54C3 CC 03	416	RWIT 6207 CC 01	442	RWIT 6AB1 CC 01	293	RWIT 70C2 CC 01	195
RWIT 54C5 CC 02	404	RWIT 6207 CC 01	630	RWIT 6AB2 CC BC	285	RWIT 70C3 CC 01	195
RWIT 54C6 CC 02	404	RWIT 6214 CC 10	427	RWIT 6AB3 CC 01	286	RWIT 70C8 CC 01	193
RWIT 54C8 CC 01	408	RWIT 6268 CC 10	431	RWIT 6AC2 CC 01	295	RWIT 7204 CC 01	818
RWIT 54C8 CC 01	414	RWIT 6268 CC 10	436	RWIT 6AC3 CC 01	295	RWIT 7220 CC 05	230
RWIT 54D4 CC 01	412	RWIT 62A2 CC 01	437	RWIT 6AC5 CC BC	279	RWIT 7240 ZZ 04	812
RWIT 54D4 CC 02	421	RWIT 62A3 CC 01	437	RWIT 6AC6 CC 03	280	RWIT 7252 CC 10	532
RWIT 54D7 CC 01	411	RWIT 62A5 CC 01	428	RWIT 6AC7 CC BC	285	RWIT 7252 ZZ 01	803
RWIT 54D8 CC 01	411	RWIT 62A6 CC 01	428	RWIT 6AC8 CC 03	287	RWIT 7260 CC 10	535
RWIT 54D9 CC 01	412	RWIT 62B1 CC 01	437	RWIT 6AC8 CC 03	293	RWIT 7262 CC 02	546
RWIT 5605 CC 74	75	RWIT 62C2 CC 01	439	RWIT 6AC9 CC 01	285	RWIT 7264 CC 32	519
RWIT 5605 CC 74	139	RWIT 62C3 CC 01	439	RWIT 6AD2 CC BC	286	RWIT 7264 CC 32	561
RWIT 5605 CC 74	222	RWIT 62C5 CC 01	428	RWIT 6AD3 CC 01	287	RWIT 7264 CC 32	609
RWIT 5605 CC 74	328	RWIT 62C6 CC 01	428	RWIT 6AD4 CC 01	292	RWIT 7264 CC 33	179
RWIT 5605 CC 74	528	RWIT 62C8 CC 01	431	RWIT 6AD4 CC 02	302	RWIT 7264 CC 35	359
RWIT 5605 CC 74	565	RWIT 62C8 CC 01	437	RWIT 6AD7 CC 01	290	RWIT 7264 CC 35	516
RWIT 5605 CC 74	648	RWIT 62D4 CC 01	434	RWIT 6AD8 CC 01	290	RWIT 7264 CC 35	542
RWIT 5607 CC 01	74	RWIT 62D4 CC 05	445	RWIT 6AD9 CC 01	292	RWIT 7264 CC 35	606
RWIT 5607 CC 01	630	RWIT 62D7 CC 01	433	RWIT 6B49 CC 70	802	RWIT 7264 CC 36	476
RWIT 5607 CC 06	643	RWIT 62D8 CC 01	433	RWIT 6B49 CC 80	354	RWIT 7264 CC 36	613
RWIT 5649 CC 90	811	RWIT 62D9 CC 01	434	RWIT 6B49 CC 90	812	RWIT 7264 CC 40	266
RWIT 5665 CC 25	507	RWIT 6500 CC 25	668	RWIT 6B59 CC 70	802	RWIT 7264 CC 77	298
RWIT 5665 CC 25	556	RWIT 6516 CC 25	668	RWIT 6B59 CC 80	354	RWIT 7264 ZZ 30	806
RWIT 5703 CC 10	350	RWIT 6526 CC 01	814	RWIT 6B95 CC 02	573	RWIT 7274 CC 31	519
RWIT 5703 ZZ 07	801	RWIT 6527 CC 01	814	RWIT 6B95 ZZ 01	583	RWIT 7274 CC 31	561
RWIT 5703 ZZ 50	811	RWIT 6548 ZZ 02	622	RWIT 6B96 CC 02	573	RWIT 7274 CC 31	609
RWIT 5714 CC 01	338	RWIT 6565 CC 05	104	RWIT 6BA2 CC 01	355	RWIT 7274 CC 33	476
RWIT 5765 CC 04	346	RWIT 6565 CC 05	166	RWIT 6BA2 CC 01	592	RWIT 7274 CC 33	613
RWIT 5765 CC 04	351	RWIT 6565 CC 05	271	RWIT 6BA3 CC 01	355	RWIT 7274 CC 41	179
RWIT 5865 CC 04	495	RWIT 6565 CC 05	368	RWIT 6BA3 CC 01	592	RWIT 7274 CC 45	710
RWIT 5865 CC 04	507	RWIT 6565 CC 05	445	RWIT 6BA5 CC BC	339	RWIT 7274 CC 54	266
RWIT 58A2 CC 01	512	RWIT 6565 CC 05	464	RWIT 6BA6 CC 01	339	RWIT 7274 CC 55	359
RWIT 58A3 CC 01	512	RWIT 6565 CC 05	530	RWIT 6BA7 CC BC	342	RWIT 7274 CC 55	606
RWIT 58B1 CC 03	510	RWIT 6565 CC 05	674	RWIT 6BA9 CC 01	343	RWIT 7274 CC 57	732
RWIT 58C2 CC 01	512	RWIT 6565 CC 10	76	RWIT 6BB1 CC 01	354	RWIT 7274 CC 60	516
RWIT 58C3 CC 01	512	RWIT 6565 CC 10	223	RWIT 6BB2 CC BC	344	RWIT 7274 CC 60	542
RWIT 58C5 CC 10	495	RWIT 6565 CC 10	302	RWIT 6BB3 CC 01	345	RWIT 7274 CC 77	298
RWIT 58C8 CC 01	509	RWIT 6565 CC 10	329	RWIT 6BC2 CC 01	355	RWIT 7274 ZZ 40	806
RWIT 58D4 CC 01	509	RWIT 6565 CC 90	654	RWIT 6BC2 CC 01	592	RWIT 7275 CC 31	519
RWIT 58D4 CC 05	530	RWIT 6573 CC 05	364	RWIT 6BC3 CC 01	355	RWIT 7275 CC 31	561
RWIT 58D4 CC 05	675	RWIT 6573 CC 05	444	RWIT 6BC3 CC 01	592	RWIT 7275 CC 31	609
RWIT 58D9 CC 01	503	RWIT 6573 CC 05	626	RWIT 6BC5 CC BC	339	RWIT 7275 CC 33	476
RWIT 5B47 CC 02	101	RWIT 6573 CC 05	674	RWIT 6BC6 CC 01	342	RWIT 7275 CC 33	613
RWIT 5B47 CC 02	633	RWIT 6581 CC 25	361	RWIT 6BC7 CC BC	343	RWIT 7275 CC 36	359
RWIT 5BA2 CC 02	95	RWIT 6581 CC 25	659	RWIT 6BC8 CC 01	346	RWIT 7275 CC 36	606
RWIT 5BA3 CC 02	96	RWIT 6585 CC 02	656	RWIT 6BC8 CC 01	354	RWIT 7275 CC 42	179
RWIT 5BA5 CC 01	81	RWIT 6586 CC 20	364	RWIT 6BC9 CC 01	344	RWIT 7275 CC 45	710
RWIT 5BA5 CC Z4	81	RWIT 6586 CC 20	628	RWIT 6BD2 CC BC	345	RWIT 7275 CC 55	266
RWIT 5BA6 CC 01	81	RWIT 6587 CC 20	627	RWIT 6BD3 CC 01	345	RWIT 7275 CC 57	732

Art.	Pag.	Art.	Pag.	Art.	Pag.	Art.	Pag.
RWIT 7275 CC 60	516	RWIT 7297 CC 77	297	RWIT 7682 CC 02	510	RWIT 8A46 CC 24	324
RWIT 7275 CC 60	542	RWIT 7297 ZZ 30	805	RWIT 7682 CC 02	595	RWIT 8A46 CC 30	176
RWIT 7275 CC 77	298	RWIT 7298 CC 32	518	RWIT 76A2 CC 02	513	RWIT 8A46 CC 40	708
RWIT 7275 ZZ 40	807	RWIT 7298 CC 32	558	RWIT 76A3 CC 02	513	RWIT 8A46 CC 51	731
RWIT 7282 CC 10	535	RWIT 7298 CC 32	608	RWIT 76B1 CC 01	510	RWIT 8A46 CC 60	162
RWIT 7284 CC 93	819	RWIT 7298 CC 33	178	RWIT 76C2 CC 01	513	RWIT 8A46 ZZ 20	791
RWIT 7285 CC 10	535	RWIT 7298 CC 35	358	RWIT 76C3 CC 01	513	RWIT 8A72 CC 03	98
RWIT 7285 CC 15	496	RWIT 7298 CC 35	515	RWIT 76C5 CC 01	494	RWIT 8A72 CC 03	195
RWIT 7285 CC 15	577	RWIT 7298 CC 35	541	RWIT 76C6 CC 01	494	RWIT 8A72 CC 03	217
RWIT 7286 CC 32	517	RWIT 7298 CC 35	605	RWIT 76C8 CC 01	495	RWIT 8A72 CC 03	357
RWIT 7286 CC 32	557	RWIT 7298 CC 36	475	RWIT 76C8 CC 01	509	RWIT 8A72 CC 03	389
RWIT 7286 CC 32	607	RWIT 7298 CC 36	612	RWIT 76D4 CC 01	509	RWIT 8A72 CC 03	416
RWIT 7286 CC 35	357	RWIT 7298 CC 40	265	RWIT 76D4 CC 05	530	RWIT 8A72 CC 03	439
RWIT 7286 CC 35	514	RWIT 7298 CC 77	297	RWIT 76D9 CC 01	503	RWIT 8A72 CC 03	459
RWIT 7286 CC 35	540	RWIT 7298 ZZ 30	806	RWIT 7762 CC 10	524	RWIT 8A72 CC 03	514
RWIT 7286 CC 35	604	RWIT 72B6 CC 01	600	RWIT 7A40 CC KO	136	RWIT 8A72 CC 03	540
RWIT 7286 CC 36	474	RWIT 72B6 CC 05	601	RWIT 7A40 ZZ 01	803	RWIT 8A72 CC 03	604
RWIT 7286 CC 36	610	RWIT 72B6 CC 20	602	RWIT 7A52 CC KO	115	RWIT 8A72 CC 05	264
RWIT 7286 CC 40	176	RWIT 72B6 CC 25	603	RWIT 7A52 ZZ 02	804	RWIT 8A72 CC 05	296
RWIT 7286 CC 53	264	RWIT 72B6 ZZ 01	803	RWIT 7A52 ZZ 50	813	RWIT 8A72 CC 10	474
RWIT 7286 CC 77	296	RWIT 72D5 CC 01	546	RWIT 7A60 CC KO	118	RWIT 8A72 CC 10	610
RWIT 7286 CC 80	600	RWIT 72D6 CC 01	546	RWIT 7A60 ZZ 02	804	RWIT 8A72 CC 12	517
RWIT 7286 CC 80	602	RWIT 7304 CC 01	818	RWIT 7A64 CC KO	133	RWIT 8A72 CC 12	557
RWIT 7286 CC 85	601	RWIT 7320 CC 05	230	RWIT 7A68 CC 05	125	RWIT 8A72 CC 12	607
RWIT 7286 CC 85	603	RWIT 7352 CC 10	550	RWIT 7A74 CC KO	134	RWIT 8A72 CC 23	72
RWIT 7286 ZZ 30	805	RWIT 7360 CC 10	550	RWIT 7A75 CC KO	135	RWIT 8A72 CC 24	324
RWIT 7286 ZZ 70	807	RWIT 7362 CC 01	564	RWIT 7A85 CC KO	112	RWIT 8A72 CC 30	176
RWIT 7287 CC 32	517	RWIT 7382 CC 10	551	RWIT 7A86 CC KO	128	RWIT 8A72 CC 40	709
RWIT 7287 CC 32	557	RWIT 7384 CC 93	819	RWIT 7A87 CC KO	127	RWIT 8A72 CC 51	731
RWIT 7287 CC 32	607	RWIT 7385 CC 10	551	RWIT 7A94 CC KO	129	RWIT 8A72 CC 60	162
RWIT 7287 CC 35	357	RWIT 7385 CC 15	496	RWIT 7A97 CC KO	130	RWIT 8A72 ZZ 90	792
RWIT 7287 CC 35	514	RWIT 7385 CC 15	577	RWIT 7A98 CC KO	132	RWIT 8B00 CC 06	328
RWIT 7287 CC 35	540	RWIT 73D5 CC 01	564	RWIT 7AD5 CC 01	136	RWIT 8B00 CC 20	326
RWIT 7287 CC 35	604	RWIT 73D6 CC 01	564	RWIT 7AD5 ZZ 01	791	RWIT 8B03 CC 01	319
RWIT 7287 CC 36	474	RWIT 7503 CC 10	504	RWIT 7AD6 CC 01	138	RWIT 8B06 CC 25	320
RWIT 7287 CC 36	610	RWIT 7512 CC 93	486	RWIT 7B86 CC 01	44	RWIT 8B47 CC 01	325
RWIT 7287 CC 40	176	RWIT 7514 CC 10	492	RWIT 7B86 ZZ 85	54	RWIT 8B47 CC 01	633
RWIT 7287 CC 42	264	RWIT 7546 ZZ 82	813	RWIT 7B86 ZZ 90	54	RWIT 8B65 CC 01	320
RWIT 7287 CC 77	296	RWIT 7562 CC 10	524	RWIT 7B94 CC 01	44	RWIT 8BA2 CC 01	322
RWIT 7287 CC 80	812	RWIT 7582 CC 02	807	RWIT 7B94 ZZ 30	797	RWIT 8BA3 CC 01	322
RWIT 7287 ZZ 30	805	RWIT 7582 CC 04	192	RWIT 7BF4 CC 01	49	RWIT 8BA5 CC BC	309
RWIT 7294 CC 32	518	RWIT 7582 CC 04	218	RWIT 7BF4 ZZ 30	797	RWIT 8BA6 CC 01	309
RWIT 7294 CC 32	558	RWIT 7582 CC 04	262	RWIT 7BF5 CC 01	49	RWIT 8BA7 CC BC	312
RWIT 7294 CC 32	608	RWIT 7582 CC 04	360	RWIT 7BF5 ZZ 30	797	RWIT 8BA9 CC 01	313
RWIT 7294 CC 35	358	RWIT 7582 CC 04	390	RWIT 7BF6 CC 01	50	RWIT 8BB1 CC 01	322
RWIT 7294 CC 35	515	RWIT 7582 CC 04	418	RWIT 8A46 CC 03	98	RWIT 8BC2 CC 01	324
RWIT 7294 CC 35	541	RWIT 7582 CC 04	440	RWIT 8A46 CC 03	195	RWIT 8BC3 CC 01	324
RWIT 7294 CC 35	605	RWIT 7582 CC 04	459	RWIT 8A46 CC 03	217	RWIT 8BC5 CC BC	309
RWIT 7294 CC 40	178	RWIT 7582 CC 04	510	RWIT 8A46 CC 03	357	RWIT 8BC6 CC 01	312
RWIT 7294 CC 41	475	RWIT 7582 CC 04	595	RWIT 8A46 CC 03	389	RWIT 8BC7 CC BC	313
RWIT 7294 CC 41	612	RWIT 75C5 CC 01	494	RWIT 8A46 CC 03	416	RWIT 8BC8 CC 01	316
RWIT 7294 CC 54	265	RWIT 75C6 CC 01	494	RWIT 8A46 CC 03	439	RWIT 8BC8 CC 01	322
RWIT 7294 CC 77	297	RWIT 75D5 CC 10	600	RWIT 8A46 CC 03	459	RWIT 8BC9 CC 01	313
RWIT 7294 ZZ 30	805	RWIT 75D5 CC 15	601	RWIT 8A46 CC 03	514	RWIT 8BD4 CC 01	321
RWIT 7297 CC 32	518	RWIT 75D5 CC 25	603	RWIT 8A46 CC 03	540	RWIT 8BD4 CC 02	328
RWIT 7297 CC 32	558	RWIT 75D6 CC 10	600	RWIT 8A46 CC 03	604	RWIT 8BD7 CC 01	319
RWIT 7297 CC 32	608	RWIT 75D6 CC 15	601	RWIT 8A46 CC 05	264	RWIT 8BD8 CC 01	319
RWIT 7297 CC 33	178	RWIT 75D6 CC 25	603	RWIT 8A46 CC 05	296	RWIT 8BD8 CC 25	328
RWIT 7297 CC 35	358	RWIT 75D7 CC 01	502	RWIT 8A46 CC 10	474	RWIT 8BD8 CC 25	648
RWIT 7297 CC 35	515	RWIT 75D8 CC 01	502	RWIT 8A46 CC 10	610	RWIT 8BD9 CC 01	321
RWIT 7297 CC 35	541	RWIT 7603 CC 10	504	RWIT 8A46 CC 12	517	RWLI 7252 ZZ 02	813
RWIT 7297 CC 35	605	RWIT 7612 CC 93	489	RWIT 8A46 CC 12	557	RZIT 1Z33 BB 02	753
RWIT 7297 CC 36	475	RWIT 7614 CC 10	492	RWIT 8A46 CC 12	607	RZIT 1Z33 BB 02	744
RWIT 7297 CC 36	612	RWIT 7665 CC 06	495	RWIT 8A46 CC 21	813	RZIT 1Z33 BB 02	762
RWIT 7297 CC 40	265	RWIT 7665 CC 06	507	RWIT 8A46 CC 23	72	RZIT 7A14 ZZ 10	825

CONDIZIONI GENERALI DI VENDITA

art. 1 Disposizioni generali

- 1.1 Le forniture e le relazioni contrattuali tra la società Rubinetterie 3M S.r.l. di seguito -Venditore- e l'Acquirente di seguito -Compratore- sono regolate dalle presenti condizioni generali di vendita.
- 1.2 Eventuali deroghe o aggiunte alle presenti condizioni (da intendersi come condizioni specifiche) devono essere concordate per iscritto dalle parti e si intendono accettate solo se riportate nella conferma d'ordine. In caso di contraddizione prevalgono le condizioni speciali
- 1.3 Le presenti condizioni generali di vendita valgono anche per le vendite internazionali: resta inteso che qualsiasi riferimento a termini commerciali (come EXW, CIP, ecc.) è da intendersi come richiamo agli Incoterms della Camera di Commercio Internazionale, nel testo in vigore alla data di stipulazione del contratto.

art. 2 Modifiche

Il Venditore si riserva di apportare ai Prodotti le modifiche che, senza alterare le caratteristiche essenziali dei Prodotti, dovessero risultare necessarie o opportune.

art. 3 Ordini e loro modifiche

- 3.1 Ordini, contratti e richieste di consegna o di fornitura così come modifiche o aggiunte agli stessi dovranno essere formulati per iscritto.
- 3.2 La validità di eventuali accordi verbali, incluse modifiche e integrazioni alle presenti condizioni di acquisto, è subordinata alla tassativa conferma scritta da parte di Rubinetterie 3M s.r.l..
- 3.3 Saranno considerate conferme scritte anche le comunicazioni pervenute tramite fax o per via telematica.
- 3.4 Se dopo che sia stato confermato l'ordine il Venditore venga a conoscenza di protesti, sequestri, pignoramenti ed in genere atti pregiudizievole a carico dell'acquirente, o divenga notorio che l'acquirente si trova in condizioni di difficoltà finanziaria, la venditrice potrà, a sua scelta sospendere il contratto ed esigere particolari garanzie, oppure risolvere il contratto per inadempimento del Compratore, ai sensi dell'art. 1456 c.c., mediante comunicazione da inviarsi a mezzo di lettera racc. a.r..

art. 4 Prezzi

- 4.1 Il prezzo di vendita, ove non specificato, è quello del listino del Venditore, considerato IVA esclusa, in vigore alla data del perfezionamento del contratto. Qualora il Compratore decida di non ricevere i prodotti alla data pattuita di approntamento e consegna, o l'approntamento o la effettiva consegna non sia stata possibile per ragioni indipendenti dalla volontà del Venditore, i prezzi, se non già previsto nell'ordine, saranno soggetti alle variazioni del listino di Rubinetterie 3M S.r.l. e comunque alle variazioni dei costi dei materiali e della mano d'opera sopravvenute dal momento dell'approntamento dei prodotti sino al ritiro degli stessi da parte del committente o all'accettazione della consegna. Tasse, imposte, spese relative all'emissione di effetti bancari o all'eventuale regolarizzazione del contratto sono a carico del Compratore.
- 4.2 Salvo patto contrario, i prezzi si intendono per Prodotti imballati secondo gli usi del settore in relazione al mezzo di trasporto pattuito, resa franco fabbrica, essendo inteso che qualsiasi altra spesa o onere sarà a carico del Compratore.

art. 5 Condizioni di pagamento

- 5.1 I pagamenti devono essere effettuati direttamente alle Rubinetterie 3M Srl nei termini pattuiti, trascorsi i quali le Rubinetterie 3M Srl provvederanno senza alcun preavviso agli addebiti degli interessi di mora che decorreranno dal giorno immediatamente successivo alla data di scadenza del debito. Tali interessi saranno calcolati maggiorando ai sensi del decreto legislativo n. 231/2002. A discrezione delle Rubinetterie 3M Srl, il mancato rispetto dei termini di pagamento pattuiti può comportare la sospensione di eventuali forniture in corso anche se già concordate. Qualunque contestazione non autorizza il Compratore alla sospensione dei pagamenti. Le spedizioni di importo inferiore a € 100,00 (cento/00) saranno inviate esclusivamente in contrassegno. Per le fatture inferiori a € 250,00 sarà emessa un'unica ri.ba. con la scadenza più breve a quella in uso.
- 5.2 Ove le Parti abbiano pattuito il pagamento posticipato, questo dovrà essere effettuato in assenza di diversa specificazione, entro 30 gg. dalla data della fattura, mediante bonifico bancario. Si considera effettuato il pagamento quando la somma entra nella disponibilità del Venditore presso la sua banca. Ove sia stato previsto che il pagamento debba essere accompagnato da una garanzia bancaria, il Compratore dovrà mettere a disposizione almeno 30 giorni prima della data di consegna, una garanzia bancaria a prima domanda, emessa conformemente alle Norme Uniformi per le Garanzie della CCI da primaria banca italiana e pagabile contro semplice dichiarazione del Venditore di non aver ricevuto il pagamento entro i termini pattuiti.
- 5.3 Ove le parti abbiano concordato il pagamento anticipato senza ulteriori indicazioni, si presume che il pagamento anticipato si riferisca all'intero prezzo. Salvo diverso accordo, il pagamento anticipato dovrà essere accreditato sul conto del venditore almeno 30 giorni prima della data di consegna convenuta.
- 5.4 Ove le Parti abbiano pattuito il pagamento mediante credito documentario, il Compratore dovrà, salvo diverso accordo, curare che un credito documentario irrevocabile, emesso conformemente alle Norme ed Usi uniformi della CCI relativi ai Crediti documentari, venga notificato al Venditore almeno 30 giorni prima della data di consegna convenuta. Salvo diverso accordo, il credito documentario dovrà essere confermato da una banca italiana gradita al Venditore e dovrà essere pagabile a vista.
- 5.5 Ove le Parti abbiano convenuto il pagamento contro documenti, il pagamento avverrà, salvo diverso accordo, Documenti contro Pagamento.
- 5.6 Salvo diverso accordo, eventuali spese e commissioni bancarie dovute, in relazione al pagamento, saranno a carico del Compratore.

art. 6 Termini di consegna

- 6.1 Qualora il Venditore preveda di non essere in grado di consegnare i Prodotti alla data pattuita per la consegna, egli dovrà avvisarne tempestivamente il Compratore per iscritto anche per via telematica, indicando ove possibile, la data di consegna prevista. E' inteso che ove il ritardo imputabile al Venditore superi le 9 settimane, il Compratore potrà risolvere il Contratto relativamente ai Prodotti di cui la consegna è ritardata con un preavviso di 10 giorni, da comunicarsi per iscritto al Venditore.
- 6.2 Non si considera imputabile al Venditore l'eventuale ritardo dovuto a cause di forza maggiore (come definite dall'art.10) o ad atti od omissioni del Compratore (ad es. mancata comunicazione di indicazioni necessarie per la fornitura dei prodotti).
- 6.3 In caso di ritardo nella consegna imputabile al Venditore, il Compratore potrà richiedere, previa messa in mora del Venditore, il risarcimento del danno effettivo da lui dimostrato, entro il limite massimo del 5% del prezzo dei Prodotti consegnati in ritardo.
- 6.4 Salvo il caso di dolo o colpa grave del Venditore, il pagamento delle somme indicate all'art. 6.3 esclude qualsiasi ulteriore risarcimento del danno per mancata o ritardata consegna dei prodotti.

art. 7 Resa e spedizione - reclami

- 7.1 Salvo patto contrario, la fornitura della merce s'intende Franco Fabbrica e ciò anche quando vi sia convenuto che la spedizione o parte di essa venga curata dal Venditore.
- 7.2 Non si accettano merci di ritorno se non rese in Franco Fabbrica c/o nostro magazzino e solo dopo l'autorizzazione preventiva delle Rubinetterie 3M Srl. I prodotti devono essere contenuti perfettamente nel loro imballo e protetti in scatole. Rubinetterie 3M Srl non risponde per danneggiamenti della merce durante il trasporto del vettore al nostro magazzino dovuti ad imballaggi inadeguati. Il materiale reso ricevuto sarà sottoposto ad un attento controllo di qualità e, se lo stesso dovesse risultare difettoso e il difetto imputabile alle Rubinetterie 3M Srl, si provvederà alla sostituzione. Per il materiale ricevuto incompleto, danneggiato o non debitamente imballato nessun indennizzo sarà dovuto e si procederà ad addebitare le spese sostenute per i controlli effettuati. In questo caso il materiale con difetti non imputabili alle Rubinetterie 3M Srl resta a disposizione del cliente nel nostro magazzino per un tempo massimo di 30 giorni, trascorsi i quali sarà automaticamente eliminato in fonderia senza ulteriore avviso. Rubinetterie 3M Srl non si assume alcuna responsabilità per difetti derivati dalla manomissione dei propri prodotti e per danni derivati dal montaggio di materiale difettoso.
- 7.3 E' inteso che i costi diretti della restituzione dei Prodotti per cause non imputabili al Venditore, così come i rischi del trasporto, sono a carico del Compratore. La detrazione massima legata alla restituzione dei beni ancora inscatolati ed integri oggetto della vendita è stimato essere pari al 15%. La detrazione effettiva della restituzione sarà comunque legata alle modalità di restituzione prescelte dal Compratore stesso (ad esempio il vettore o la tipologia di spedizione scelta); Consigliamo di imballare con cura la merce da restituire e di utilizzare per la spedizione un corriere o altro mezzo idoneo a permettere la rintracciabilità della spedizione. E' altresì utile assicurare la merce spedita in quanto non sarà possibile ottenere alcun rimborso qualora per qualsiasi motivo non pervenga la relativa consegna del reso.
- 7.4 Eventuali reclami relativi allo stato dell'imballo, quantità, numero o caratteristiche esteriori dei Prodotti (vizi apparenti), dovranno essere notificati al Venditore mediante lettera raccomandata RR, a pena di decadenza, entro sette giorni dalla data della scoperta del difetto. Qualora la denuncia non venga comunicata entro il predetto termine, i prodotti consegnati vengono considerati come conformi a quelli ordinati dal Cliente.
- 7.5 E' inteso che eventuali reclami o contestazioni non danno diritto al Compratore di sospendere o comunque ritardare i pagamenti dei Prodotti oggetto di contestazione, né tanto meno, di altre forniture.

art.8 Garanzia per vizi

8.1 Rubinetterie 3M S.r.l. si impegna a porre rimedio a qualsiasi vizio, mancanza di qualità o difetto di conformità dei Prodotti a lui imputabile, purché lo stesso gli sia stato notificato tempestivamente in conformità all'art. 7.4. Il Venditore potrà scegliere se riparare o sostituire i Prodotti risultati difettosi. I Prodotti sostituiti o riparati in garanzia saranno soggetti alla medesima garanzia per un periodo di sei mesi a partire dalla data della riparazione o sostituzione.

8.1.2 Le Rubinetterie 3M Srl garantisce tutti i suoi prodotti da difetti di fabbricazione come sotto specificato:

- 1) Garanzia di 15 anni sulla finitura cromato, inox, e per difetti di fusione o porosità.
- 2) Garanzia di 15 anni sulla finitura cromato e per difetti di fusione o porosità.
- 3) Garanzia di 10 anni per difetti su cartucce e vitoni (si ricorda che l'usura di questi componenti è strettamente legata alla qualità dell'acqua).
- 4) Garanzia di 2 anni sulle finiture diverse dal cromato.

Per potere usufruire della garanzia si raccomanda di conservare lo scontrino o altro documento fiscale comprovante la data di acquisto e di allegarlo al tagliando di garanzia. La garanzia da diritto alla sostituzione gratuita di quelle parti che, per evidente difetto di fabbricazione, determinassero l'irregolare funzionamento del prodotto, sempre che ciò non dipenda da incuria, cadute o urti, negligenza d'uso, errata manutenzione, manomissione, installazione non corretta, interventi di persone non qualificate o da cause di forza maggiore. E' assolutamente necessario montare a monte della rubinetteria filtri e addolcitori. Il mancato rispetto di queste condizioni provoca l'immediata decadenza della garanzia stessa. La garanzia esclude qualsiasi nostra responsabilità per tutte le conseguenze derivanti da un impiego improprio, da un'installazione non corretta dei nostri materiali, da una errata manutenzione o incuria del prodotto (vedi sotto "consigli per la cura del prodotto").

Rubinetterie 3M Srl non riconosce nessun risarcimento per la sostituzione degli articoli difettosi.

8.2 Il Venditore non garantisce la rispondenza dei Prodotti a particolari specifiche o caratteristiche tecniche o la loro idoneità ad usi particolari se non nella misura in cui tali caratteristiche siano state espressamente convenute nel contratto o in documenti richiamati a tal fine dal Contratto stesso.

8.3 Salvo il caso di dolo o colpa grave, il Venditore sarà tenuto, in caso di vizi, mancanza di qualità o difetto di conformità dei prodotti, unicamente alla riparazione degli stessi o alla fornitura di Prodotti in sostituzione di quelli difettosi. E' inteso che la suddetta garanzia (consistente nell'obbligo di riparare o sostituire i prodotti) è assorbente e sostitutiva delle garanzie o responsabilità previste per legge, ed esclude ogni altra responsabilità del Venditore (sia contrattuale che extracontrattuale) comunque originata dai Prodotti forniti (ad es. risarcimento del danno, mancato guadagno, campagne di ritiro, ecc.).

art. 9 Riserva di proprietà

E' convenuto che i prodotti consegnati restano di proprietà del Venditore fino a quando non sia pervenuto a quest'ultimo il completo pagamento.

La riserva di proprietà si estende ai Prodotti venduti dal Compratore a terzi ed al prezzo di tali vendite, entro i limiti massimi previsti dalla legge del paese del Compratore che regola la presente clausola.

art. 10 Forza Maggiore

10.1 Ciascuna parte potrà sospendere l'esecuzione dei suoi obblighi contrattuali quando tale esecuzione sia resa impossibile o irragionevolmente onerosa da un impedimento imprevedibile indipendente dalla sua volontà quale ad es. sciopero, boicottaggio, serrata, incendio, guerra (dichiara o non), guerra civile, sommosse e rivoluzioni, requisizioni, embargo, interruzioni di energia, ritardi nella consegna di componenti o materie prime.

10.2 La parte che desidera avvalersi della presente clausola dovrà comunicare immediatamente per iscritto all'altra parte il verificarsi e la cessazione delle circostanze di forza maggiore.

10.3 Qualora la sospensione dovuta a forza maggiore duri più di sei settimane, ciascuna parte avrà il diritto di risolvere il presente contratto, previo un preavviso di 10 giorni, da comunicarsi alla controparte per iscritto.

art. 11 Foro competente

Per qualsiasi controversia derivante dal presente contratto o collegata allo stesso sarà esclusivamente competente il Foro di Siena.

Qualora il Compratore risieda in un Paese Extra UE, tutte le controversie derivanti dal presente contratto o in relazione ad esso saranno risolte in via definitiva secondo il Regolamento d'arbitrato della Camera di Commercio di Firenze o più arbitri nominati in conformità di detto regolamento.

art. 12 Varie

L'eventuale inefficacia di una clausola delle presenti condizioni o di successivi accordi integrativi non comporterà l'invalidità delle altre condizioni. Le parti concorderanno una clausola sostitutiva che ne rifletta il più possibile l'intento economico.

art. 13 Legge applicabile

Le presenti condizioni di acquisto sono regolate esclusivamente dalle leggi della Repubblica Italiana. E' esclusa l'applicazione della convenzione dell'AIA relativa al diritto uniforme sulla vendita internazionale delle merci, della Convenzione delle Nazioni Unite sui contratti per la vendita internazionali delle merci o di altre convenzioni relative alla legge applicabile alla vendita.

art. 14 Formazione del consenso

Le parti si danno reciprocamente atto che ogni singola previsione del presente contratto è stata dalle medesime ampiamente discusse ed approvata specificamente, così come ogni singolo punto e articolo.

art. 15 Trattamento dati personali

Le parti si danno reciprocamente atto di adempiere a tutti gli obblighi derivanti dal nuovo Regolamento Europeo in materia di protezione dei dati personali (GDPR 679/2016) Con l'ordine di acquisto e/o effettuando la registrazione sul Sito web della Società, il Compratore esprime il consenso al trattamento dei dati personali, ai sensi degli artt. 13 e 14 GDPR - Regolamento (UE) 2016/679, previa visione della specifica informativa disponibile in versione estesa sul Sito. Il trattamento, la conservazione, la trasmissione dei dati personali avviene con l'osservanza di ogni misura cautelativa, che ne garantisce la sicurezza e la riservatezza, in conformità a quanto previsto dal GDPR, al solo scopo di poter efficacemente adempiere agli obblighi previsti dalle norme di legge, civilistiche e fiscali connessi all'attività economica dell'azienda ivi compresa la gestione d'incassi e pagamenti derivanti dall'esecuzione dei contratti.

CURA DEL PRODOTTO: Vedi pagina 826

RICAMBI

Si raccomanda sempre l'uso di ricambi originali Rubinetterie 3M richiedibili presso tutti i nostri punti vendita.

GENERAL CONDITIONS OF SALE

art. 1 General provisions

- 1.1 The supplies and contractual relationship between Rubinetteria 3M S.r.l. hereon - Seller - and the Customer - hereon Purchaser- are governed by these general conditions of sale.
- 1.2 Any exemptions or additions to these conditions (to be intended as specific conditions) must be agreed in writing by the parties and are intended as accepted only if stated on the order confirmation. In the event of contradiction, the special conditions prevail.
- 1.3 These general conditions of sale are also valid for international sales: it is agreed that any reference to trading terms (such as EXW, CIP, etc.) in the current text on the date of stipulation of the contract, is to be considered as a recall to the Incoterms of the International Chamber of Commerce.

art. 2 Modifications

The Seller reserves the right to make modifications to the Products, which he deems necessary and appropriate, without altering the essential features of the Products themselves.

art. 3 Orders and their modifications

- 3.1 Orders, contracts and delivery or supply requests and also modifications or additions to the same, must all be in writing.
- 3.2 The validity of any verbal agreements, including amendments and integrations to these purchase conditions, is subject to the mandatory written confirmation by Rubinetteria 3M s.r.l.
- 3.3 Written communications received via fax or via e-mail will also be considered as confirmation.
- 3.4 If the Seller gains knowledge of protests, seizures, foreclosures and detrimental acts in general concerning the Purchaser after the order has been confirmed, or it becomes common knowledge that the Purchaser has financial difficulties, at his own choice the Seller can suspend the contract and demand particular guarantees or terminate the contract via registered letter with acknowledgement of receipt, owing to non-fulfilment by the Purchaser, in compliance with art. 1456 of the Italian Civil Code.

art. 4 Prices

- 4.1 Where not specified, the sales price is that on the Seller's price list, excluding VAT, in force at the time of conclusion of the contract. Whenever the Purchaser decides not to receive the products on the date agreed for preparation and delivery or the preparation and effective delivery have not been possible for reasons independent to the will of the Seller, if not already envisioned in the order, the prices will be subject to variations of the Rubinetteria 3M S.r.l. price list. They will also be subject to changes in costs of the materials and labour supervening from the time of preparation of the products until they are picked-up by the customer or the delivery is accepted. Taxes, duties, expenses relative to the issue of bank drafts or any regularization of the contract are at the Purchaser's expense.
- 4.2 Unless otherwise agreed, prices are intended for Products packed according to the uses of the sector, in relation to the means of transport agreed, returns ex-works. It is agreed that any other cost or charge shall be at the Purchaser's expense.

art. 5 Conditions of payment

- 5.1 Payments must be made directly to Rubinetteria 3M Srl within the terms agreed, after which Rubinetteria 3M Srl will charge interest on arrears starting immediately from the day after the date that the debt expired, without any forewarning. This interest will be calculated with increasing in compliance with Legislative Decree n. 231/2002. At the discretion of Rubinetteria 3M Srl, the failure to respect the payment terms agreed can lead to the suspension of any supplies in progress, even if already agreed. No controversy authorises the Purchaser to suspend payments. The deliveries for amounts less than € 100.00 (one hundred/00) will be sent exclusively with cash on delivery. A unique cash order will be issued for invoices less than 250.00, with shorter expiry than that in use.
- 5.2 Where the parties have agreed to deferred payment, unless otherwise specified, this must be paid by bank transfer, within 30 days from the date of the invoice. Payment is considered when the amount is available to the Seller in his bank account. Where it has been envisioned that payment must be accompanied by a bank guarantee, at least 30 days before the date of delivery, the Purchaser must make a first demand bank guarantee available, issued in compliance with the ICC Uniform Customs for Guarantees by a Primary Italian Bank and payable against a simple declaration of the Seller that he has not received payment within the terms agreed.
- 5.3 If the parties have agreed on payment in advance, without further indications, it will be assumed that such advance payment refers to the full price. Unless otherwise agreed, the advance payment must be paid into the Seller's account at least 30 days before the agreed delivery date.
- 5.4 Where the parties have agreed on payment via documentary credit, unless otherwise agreed, the Purchaser must make sure that irrevocable documentary credit, issued in compliance with ICC Uniform Customs and Practices for Documentary Credits, is communicated to the Seller at least 30 days before the agreed delivery date. Unless otherwise agreed, the documentary credit must be confirmed by an Italian Bank acceptable to the Seller and must be payable on demand.
- 5.5 Where the parties have agreed payment against documents, unless otherwise agreed, payment will be Documents against Payment.
- 5.6 Unless otherwise agreed, any expenses or bank commissions due with respect to the payment will be under the Purchaser's responsibility.

art. 6 Terms of delivery

- 6.1 Whenever the Seller envisions that he cannot deliver the Products on the day agreed, the Purchaser shall be immediately informed of any delays in writing, also via e-mail, where possible indicating the envisioned delivery date. It is agreed that where a delay attributable to the Seller lasts more than 9 weeks, the Purchaser can terminate the contract relative to the Products subject of the delayed delivery with forewarning of 10 days, of which the Seller must be informed in writing.
- 6.2 Any delays due to Acts of God (as defined in art.10) or acts or omissions by the Purchaser (e.g. no communication of indications necessary to supply the products) are not considered attributable to the Seller.
- 6.3 In the event of delayed delivery attributable to the Seller, the Purchaser can request, after placing the Seller in default, compensation for the effective damage he demonstrates, within the maximum limit of 5% of the price of the Products delivered late.
- 6.4 Except in the case of fraud or gross negligence by the Seller, the payment of the amounts indicated in art. 6.3 excludes any further compensation for damage due to no or delayed delivery of the products.

art. 7 Returns and shipment - claims

- 7.1 Unless otherwise agreed, the supply of the goods will be Ex Works and also when it is agreed that the Seller will organise shipment, in whole or in part.
- 7.2 Returned goods are not accepted if not returned ex-works c/o our warehouse and only after previous authorisation from Rubinetteria 3M Srl. The products must be perfectly contained inside their packaging and protected in boxes. Rubinetteria 3M Srl is not liable for damage to goods during transport via carrier to our warehouse owing to inadequate packaging. The returned material received will undergo thorough quality control and, if it should result faulty and the fault is attributable to Rubinetteria 3M Srl, it will be replaced. No compensation will be due for material received incomplete or not duly packaged and the expenses sustained for the checks performed will be charged. In this case, the material with faults not attributable to Rubinetteria 3M Srl remains at the customer's disposal in our warehouse for a maximum of 30 days, after which it will be automatically eliminated in the foundry without further warning. Rubinetteria 3M Srl is not liable for any faults deriving from tampering with the products and for damage resulting from the assembly of faulty material.
- 7.3 . It shall be understood that the direct costs of returning the Products for reasons not attributable to the Seller, as well as the transport risks, shall be borne by the Buyer. The maximum deduction related to the return of the still boxed and intact goods that form the object of the sale is estimated as equal to 15%. The actual deduction of the return will however be linked to the return methods chosen by the Buyer (for example the carrier or the type of shipping chosen); We recommend that the goods to be returned are carefully packed and that a courier or other suitable means that allow tracking of the shipment are used for shipping. Furthermore, insurance of the goods shipped is useful, as a refund cannot be obtained if, for any reason, we do not receive the delivery of the returned product.
- 7.4 It is agreed that any complaints or controversies do not give the Purchaser the right to suspend or delay payments of the Products, subject of the controversy, as well as payment of any other supplies.

art. 8 Warranty for defects

8.1 Rubinetterie 3M S.r.l. commits to solving any defect, lack of quality or non-conformity of the products, which can be attributed to the same, as long as notice is given immediately in compliance with art. 7.3.

The Seller will decide whether to repair or replace the Products shown to be faulty. The Products repaired or replaced under warranty will be subject to the same warranty for a period of 6 months, starting from the date of repair or replacement.

8.1.2 Rubinetterie 3M Srl guarantees all of its products from manufacturing defects as specified below:

- 1) 15 years warranty for chrome finishing, stainless steel, for casting or porosity defect.
- 2) 15 years warranty for chrome finishing , for casting or porosity defect.
- 3) 10 year warranty for defects on cartridges and screws (remember that the wear of these components is closely linked with the quality of the water).
- 4) 2 year warranty for non- chrome plated finishings.

In order to make use of the warranty, it is advised to keep the receipt or other fiscal document and attach it to the warranty coupon, as this proves the date of purchase.

The warranty gives the right for free replacement of those parts which, for obvious manufacturing defaults, could determine incorrect operation of the product, always as long as this does not depend on carelessness, falls or blows, negligent use, incorrect maintenance, tampering, incorrect installation, interventions by unqualified staff or due to force majeure. Filters and softeners must be mounted upstream from the tap fittings. Failure to comply with these conditions causes the warranty to become immediately null and void. The warranty excludes any liability of the company for all consequences deriving from improper use, incorrect installation of our materials, incorrect maintenance or indifference to the product (see “recommendations for care of the product” below). Rubinetterie 3M Srl does not acknowledge any compensation for the replacement of faulty articles.

8.2 The Seller does not guarantee compliance of the Products to special specifications or technical features or their suitability for particular uses except to the extent that such features have been expressly agreed in the contract or documents recalled by the contract itself for that purpose.

8.3 Except in the case of fraud or gross negligence, in the event of defects, lack of quality or non-conformity of the products, the Seller is only obliged to repair or replace the faulty products. It is intended that the above-mentioned warranty (consisting in the obligation to repair or replace the Products) includes and replaces the warranties or responsibility envisioned by Law, and excludes any other responsibility of the Seller (whether contractual or non-contractual) however originating from Products supplied (e.g. compensation for damages, loss of earnings, recall campaigns, etc.).

art. 9 Retention of Title

It is agreed that the Products delivered remain the Seller's property until the afore-said have been paid for in full. The retention of title extends to the Products sold by the Purchaser to third parties and to the price of these sales, within the maximum limits envisioned by the Law in the Purchaser's country, which governs this clause.

art. 10 Force Majeure

10.1 Each party can suspend the execution of its contractual obligations when the same is made impossible or unreasonably hard due to unforeseeable events beyond his control such as: strikes, boycotts, lock-outs, fires, war (declared or not), civil war, riots and revolutions, requisitions, embargos, energy black-outs, delays in delivery of components or raw materials.

10.2 The party wishing to make use of this clause, must inform the other party immediately in writing of the occurrence and end of the circumstances of the Force Majeure.

10.3 Whenever the suspension due to Force Majeure lasts more than six weeks, both parties will have the right to terminate this contract, after forewarning of 10 days, to be communicated in writing to the counter-party.

art. 11 Jurisdiction

Any dispute deriving from this contract or connected to the same shall be of exclusive competence of the Court of Siena. Whenever the Purchaser resides in an Extra EU Country, all disputes arising from this contract or in relation to it, will be resolved definitively according to the Rules of arbitration of the Chamber of Commerce of Florence or by several arbitrators appointed in compliance with said rules.

art. 12 Various

Any ineffectiveness of a clause of these conditions or successive integrated agreements will not lead to the other conditions becoming null and void. The parties will make an agreement on a replacement clause, which reflects the economical intent as much as possible.

art. 13 Applicable Law

These purchase conditions are governed exclusively by the Law of the Italian Republic. The application of the Hague convention relative to uniform law regarding the international sale of goods, the United Nations convention regarding contracts for the international sale of goods or other conventions relative to the laws applicable to sales is excluded.

art. 14 Forming consent

The parties mutually acknowledge that each individual forecast of this contract has been widely discussed and approved specifically by the same, just as each individual point and article.

art. 15 Protection of Personal Data

The parties mutually agree to fulfil all the obligations arising from the new European Regulation on the protection of personal data (GDPR 679/2016) With the purchase order and/or by registering on the Company's Website, the Buyer expresses his or her consent to the processing of personal data, pursuant to articles 13 and 14 of the GDPR - Regulation (EU) 2016/679, after having read the full version of the specific information notice available on the Site. The processing, storage and transmission of personal data is carried out in compliance with every precautionary measure, which guarantees their security and confidentiality, in compliance with the provisions of the GDPR, for the sole purpose of being able to effectively fulfil the obligations required by legal, civil and tax laws related to the economic activity of the company, including the management of receipts and payments arising from the performance of contracts.

CARE OF THE PRODUCT: See page 826

SPARE PARTS

Always use Rubinetterie 3M original spare parts, which can be requested from our points of sale.

CONDITIONS GÉNÉRALES DE VENTE

art. 1 Dispositions générales

1.1 Les fournitures et les relations contractuelles entre la société Rubinetterie 3M S.r.l., par la suite appelée - Vendeur - et l'Acquéreur, par la suite appelé - Acheteur - sont régies par les présentes conditions générales de vente.

1.2 Les dérogations ou ajouts éventuels aux présentes conditions (à savoir, les conditions spécifiques) doivent faire l'objet d'un accord écrit stipulé entre les parties et seront acceptables uniquement si elles figurent dans la confirmation de commande. En cas de contradiction, les conditions spéciales prévaudront.

1.3 Les présentes conditions générales de vente sont également valables dans le cadre de ventes internationales : il reste entendu que toute référence à des termes commerciaux (tels que EXW, CIP, etc.), doit être considérée conformément aux Incoterms de la Chambre de Commerce Internationale, dans le texte en vigueur à la date de la stipulation du contrat.

art. 2 Modifications

Le Vendeur se réserve le droit d'apporter des modifications aux Produits sans en altérer les caractéristiques essentielles, si cela s'avère nécessaire ou approprié.

art. 3 Commandes et modification de commande

3.1 Les commandes, contrats et demandes de livraison ou de fourniture, au même titre que les modifications et les ajouts, doivent être formulés par écrit.

3.2 La validité des éventuels accords verbaux, incluant les modifications et intégrations des présentes conditions de vente, est subordonnée à la confirmation péremptoire écrite de Rubinetterie 3M s.r.l..

3.3 Les confirmations écrites comprennent également les communications parvenues par fax ou par voie télématique.

3.4 Si, suite à une confirmation de commande, le Vendeur vient à connaissance de protestations, séquestres, saisies et, de façon générale, de l'existence d'actes préjudiciables à la charge de l'acheteur, ou s'il devient notoire que l'acheteur se trouve en difficultés financières, le vendeur pourra, au choix, suspendre le contrat et exiger des garanties particulières, ou résilier le contrat pour non-exécution de l'Acheteur, conformément à l'article 1456 du Code civil, sur communication envoyée par lettre recommandée AR.

art. 4 Prix

4.1 Le prix de vente, lorsqu'il n'est pas spécifié, correspond au prix hors TVA figurant dans le listing du Vendeur en vigueur à la date de l'établissement du contrat. Si les produits ne sont pas reçus par l'Acheteur à la date prévue de mise au point ou de livraison, ou si la mise au point ou la livraison ne peuvent avoir lieu pour des raisons indépendantes de la volonté du Vendeur, les prix, si non déjà prévus dans la commande, seront soumis aux variations du listing de Rubinetterie 3M S.r.l. et, dans tous les cas, aux variations des coûts des matériaux et de la main-d'œuvre applicables à compter du moment de la préparation des produits jusqu'à leur retrait par le client ou à l'acceptation de la livraison. Les taxes, impôts et frais relatifs à l'exécution d'opérations bancaires ou à l'éventuelle régularisation du contrat sont à la charge de l'Acheteur.

4.2 Sauf accord contraire, les prix sont fournis pour les Produits emballés conformément aux usages du secteur et en fonction du moyen de transport utilisé, en sortie d'usine, restant entendu que tout autre frais ou charge sera à la charge de l'Acheteur.

art. 5 Conditions de paiement

5.1 Les paiements doivent être effectués directement à Rubinetterie 3M Srl, dans les délais accordés. Ces délais écoulés, Rubinetterie 3M Srl procédera sans préavis à l'application des intérêts de retard à compter du jour suivant la date d'échéance du paiement. Ces intérêts seront calculés de façon croissante conformément au décret législatif n° 231/2002. A discrétion de Rubinetterie 3M Srl, le non-respect des délais de paiement établis pourra comporter la suspension des éventuelles livraisons en cours même si celles-ci ont déjà fait l'objet d'un accord. Les contestations, de tout type, n'autorisent pas l'Acheteur à suspendre les paiements. Les envois d'un montant inférieur à 100,00 € (cent/00) seront exclusivement effectués en contre-remboursement. Pour les factures inférieures à 250,00 €, il sera procédé au paiement par ordre d'encaissement avec une échéance plus courte que celle normalement appliquée.

5.2 Si les Parties ont négocié un paiement différé, celui devra, sauf accord contraire, être effectué par virement bancaire, dans un délai de 30 jours à compter de la date de la facture. Le paiement sera considéré effectué lorsque la somme sera effectivement disponible auprès de la banque du Vendeur. Lorsqu'il est prévu que le paiement soit accompagné d'une garantie bancaire, l'Acheteur devra fournir, au minimum 30 jours avant la date de livraison, une garantie bancaire à première demande, émise conformément aux Règles uniformes relatives aux garanties de la CCI par une des principales banques italiennes et payable sur simple déclaration du Vendeur affirmant la non-réception du paiement dans les délais fixés.

5.3 Si les parties ont négocié un paiement anticipé sans indications supplémentaires, il est présumé que le paiement anticipé concerne l'intégralité du montant du prix. Sauf accord contraire, le paiement anticipé devra être crédité sur le compte du Vendeur au moins 30 jours avant la date de livraison établie.

5.4 Si les Parties ont négocié un paiement par crédit documentaire, l'Acheteur devra, sauf accord contraire, s'assurer que le crédit documentaire irrévocable, émis conformément aux Règles et usages uniformes de la CCI relatifs aux crédits documentaires, soit notifié au Vendeur au moins 30 jours avant la date de livraison établie. Sauf accord contraire, le crédit documentaire devra être confirmé par une banque italienne acceptable par le Vendeur et devra être payable à vue.

5.5 Si les Parties ont convenu un paiement contre documents, le paiement sera effectué, sauf accord contraire, Documents contre Paiement.

5.6 Sauf accord contraire, les éventuels frais et commissions bancaires dus dans le cadre du paiement seront à la charge de l'Acheteur.

art. 6 Délais de livraison

6.1 Si le Vendeur prévoit de ne pas être en mesure de livrer les Produits à la date de livraison fixée, il devra en avertir l'Acheteur dans les plus brefs délais par écrit, également par voie télématique, en indiquant si possible, la prochaine date de livraison prévue. Il reste entendu que si le retard imputable au Vendeur dépasse une période de 9 semaines, l'Acheteur pourra résilier le Contrat relatif aux Produits objet du retard de livraison sur préavis de 10 jours à notifier au Vendeur par écrit.

6.2 Le Vendeur ne saura être retenu responsable de l'éventuel retard dû à un cas de force majeure (comme défini dans l'article 10) ou à des actes ou omissions de l'Acheteur (par exemple, informations manquantes nécessaires à la livraison des produits).

6.3 En cas de retard de livraison imputable au Vendeur, l'Acheteur pourra demander, avec mise en demeure préalable du Vendeur, l'indemnisation du dommage effectif subi dans une limite maximum de 5% du prix des Produits livrés en retard.

6.4 Sauf cas de faute volontaire ou faute grave du Vendeur, le paiement des sommes indiquées à l'article 6.3 exclut toute indemnisation supplémentaire du dommage en cas de manque ou de retard de livraison des produits.

art. 7 Renvoi et expédition - réclamations

7.1 Sauf accord contraire, la fourniture de la marchandise est entendue en sortie d'usine, ce également lorsque l'expédition ou partie de celle-ci relève, sur accord entre les Parties, du Vendeur.

7.2 Aucun retour de marchandises ne sera accepté s'il n'est pas effectué directement à l'usine, à notre entrepôt, et uniquement sur autorisation préalable de Rubinetterie 3M Srl. Les produits doivent être parfaitement contenus dans leur emballage et protégés dans des boîtes. Rubinetterie 3M Srl ne répond pas de dommages sur la marchandise ayant eu lieu durant le transport par le transporteur vers notre entrepôt, en raison d'emballages inadéquats. Le matériel rendu et reçu sera soumis à un contrôle qualité attentif et, si le produit résulte défectueux avec défaut imputable à Rubinetterie 3M Srl, ce dernier sera remplacé. Concernant le matériel reçu incomplet, endommagé ou non correctement emballé, aucune indemnisation ne sera reconnue et les frais relatifs aux contrôles effectués seront facturés au client. Dans ce cas, le matériel présentant des défauts non imputables à Rubinetteries 3M Srl restera à disposition du client dans notre entrepôt pour une durée maximum de 30 jours. Ce délai écoulé, le matériel sera automatiquement éliminé en fonderie sans autre avis. Rubinetterie 3M Srl n'assume aucune responsabilité en cas de défauts générés par l'altération de ses produits, ni en cas de dommages provoqués par un montage de matériel défectueux.

7.3. Il est entendu que les coûts directs de retour des Produits pour des raisons non imputables au Vendeur, ainsi que les risques du transport, sont à la charge de l'Acheteur. La déduction maximale liée au retour des biens encore emballés dans des cartons et intacts faisant l'objet de la vente est estimée à 15 %. La déduction effective du retour sera en tout état de cause liée au mode de retour choisi par l'Acheteur (par exemple, le transporteur ou le type d'envoi choisi) ; Nous recommandons d'emballer soigneusement les marchandises à retourner et d'utiliser un service de courrier ou tout autre moyen approprié pour permettre le suivi de l'expédition. Il est également utile d'assurer les marchandises expédiées car il ne sera pas possible d'obtenir un remboursement si pour une raison quelconque la livraison relative du retour n'est pas reçue.

7.4 Il reste entendu que les éventuelles réclamations ou contestations ne donnent pas droit à l'Acheteur de suspendre ou de différer les paiements des Produits objet de la contestation, ni, encore moins, ceux relatifs à d'autres fournitures.

art. 8 Garantie pour vices

8.1 Rubinetterie 3M S.r.l. s'engage à remédier à tout vice, défaut de qualité ou défaut de conformité des Produits lui étant imputables, si ces derniers lui ont été communiqués rapidement conformément à l'article 7.3. Le Vendeur pourra choisir de réparer ou de remplacer les Produits résultant défectueux. Les Produits remplacés ou réparés sous garantie seront soumis à cette même garantie pendant une période de six mois à compter de la date de la réparation ou du remplacement.

8.1.2 Rubinetterie 3M Srl garantit tous ses produits contre les défauts de fabrication conformément à ce qui suit :

- 1) Garantie de 15 ans pour la finition acier inox, pour défauts de fusion ou de porosité.
- 2) Garantie de 15 ans pour la finition chromée, pour défauts de fusion ou de porosité.
- 3) Garantie de 10 ans pour défauts sur cartouches et grosses vis (il est rappelé que l'usure de ces composants dépend étroitement de la qualité de l'eau).
- 4) Garantie de 2 ans sur les différentes finitions du chromé.

Afin de pouvoir bénéficier de la garantie, il est recommandé de conserver le ticket de caisse ou tout autre document officiel prouvant la date d'achat et de le joindre au coupon de garantie. La garantie donne droit au remplacement gratuit des parties qui, en raison d'un défaut de fabrication évident, provoquent le fonctionnement irrégulier du produit, toujours dans la mesure où cela n'est pas dû à un manque de soin, chutes ou chocs, négligence d'usage, entretien erroné, altération, installation incorrecte, interventions de personnes non qualifiées ou cas de force majeure. Il est absolument nécessaire d'installer des filtres et adoucisseurs en amont de la robinetterie. Le non-respect de ces conditions impliquera l'annulation immédiate de la garantie. La garantie exclut notre responsabilité pour toute conséquence générée par un usage impropre, une installation incorrecte de nos équipements, un mauvais entretien ou un manque de soin apporté au produit (vois ci-dessous « conseils d'entretien du produit »).

Rubinetterie 3M Srl ne reconnaîtra aucune indemnisation en cas de remplacement d'articles défectueux.

8.2 Le Vendeur ne garantit pas la correspondance des Produits aux spécificités ou caractéristiques techniques particulières ni leur aptitude à des usages particuliers si ces caractéristiques n'ont pas été expressément convenues dans le contrat ou dans des documents spécialement rappelés dans ce but dans le Contrat.

8.3 Sauf cas de faute volontaire ou de faute grave, le Vendeur sera tenu, en cas de vices, défaut de qualité ou défaut de conformité des produits, à la seule réparation de ces derniers ou à la fourniture de Produits en remplacement de ceux défectueux. Il est entendu que la précédente garantie (consistant dans l'obligation de réparer ou de remplacer les produits) absorbe et remplace les garanties ou responsabilités prévues par la loi, et exclut tout autre responsabilité du Vendeur (contractuelles ou hors contrat) dans tous les cas, générée par les Produits fournis (ex : indemnisation du dommage, manque à gagner, campagnes de retrait, etc.).

art. 9 Réserve de propriété.

Il est convenu que les produits livrés restent la propriété du Vendeur jusqu'à leur paiement total. La réserve de propriété s'étend aux Produits vendus à des tiers par l'Acheteur au prix de vente appliqué à ces derniers, dans les limites maximum prévues par la loi du pays de l'Acheteur régissant la présente clause.

art. 10 Force majeure

10.1 Chaque partie pourra suspendre l'exécution de ses obligations contractuelles si ladite exécution est rendue impossible ou déraisonnablement onéreuse par un empêchement imprévisible indépendant de sa volonté à savoir, grève, boycottage, fermeture, incendie, guerre (déclarée ou non), guerre civile, soulèvements et révolutions, réquisitions, embargo, interruptions d'énergie, retard de livraison des composants ou matières premières.

10.2 La partie désireuse de faire valoir la présente clause devra communiquer immédiatement et par écrit à l'autre partie la présence ou la cessation de circonstances de force majeure.

10.3 Si la suspension due à un cas de force majeure devait durer plus de six semaines, les parties auront le droit de résilier le présent contrat, avec préavis de 10 jours, à fournir par écrit à la partie adverse.

art. 11 Tribunal compétent

Pour toute controverse dérivant du présent contrat ou en relation avec celui-ci, seul le tribunal de Sienne sera retenu compétent. Si l'Acheteur réside dans un Pays hors de l'Union européenne, toutes les controverses dérivant du présent contrat ou en relation avec celui-ci seront résolues par voie définitive conformément au Règlement d'arbitrage de la Chambre de Commerce de Florence ou par plusieurs arbitres nommés en conformité avec ce règlement.

art. 12 Divers

L'éventuelle inefficacité d'une clause des présentes conditions ou accords complémentaires successifs, ne comportera pas l'invalidité des autres conditions. Les parties fixeront une clause substitutive reflétant le plus possible l'intention économique.

art. 13 Lois applicables

Les présentes conditions de vente sont régies exclusivement par les lois de la République italienne. L'application de la convention de l'AIA relative au droit uniforme sur la vente internationale des marchandises ou l'application de la Convention des Nations Unies sur les contrats pour la vente internationale des marchandises ou d'autres conventions relatives à la loi applicable à la vente sont exclues.

art.14 Formation du consentement

Les parties attestent mutuellement que chaque provision du contrat a été amplement discutée par elles et spécifiquement approuvée, au même titre que chacun de ses points et articles.

art. 15 Protection des informations personnelles

Les parties reconnaissent mutuellement qu'elles remplissent toutes leurs obligations en vertu du nouveau règlement européen sur la protection des données (RGPD 679/2016) En passant une commande et/ou en s'enregistrant sur le Site Internet de la Société, l'Acheteur donne son consentement au traitement des données personnelles, conformément aux articles 13 et 14 du RGPD - Règlement (UE) 2016/679, après avoir lu les informations spécifiques disponibles dans une version étendue sur le Site. Le traitement, la mémorisation et la transmission des données personnelles s'effectuent dans le respect de toutes les mesures de précaution qui garantissent la sécurité et la confidentialité, conformément aux dispositions du RGPD, dans le seul but de pouvoir remplir efficacement les obligations légales, civiles et fiscales liées à l'activité économique de la société, y compris la gestion des recettes et paiements découlant de l'exécution des contrats.

ENTRETIEN DU PRODUIT: Voir page 827

PIECES DE RECHANGE

Il est toujours recommandé d'utiliser des pièces de rechange Rubinetteries 3M originales, disponibles sur demande dans tous nos points vente.

ALLGEMEINE VERKAUFSBEDINGUNGEN

Art. 1 Allgemeine Bestimmungen

- 1.1 Die Lieferungen und die Vertragsbeziehungen zwischen der Gesellschaft Rubinetteria 3M S.r.l., nachfolgend - Verkäufer - und dem Erwerber, nachfolgend - Käufer - werden durch die vorliegenden Allgemeinen Verkaufsbedingungen geregelt.
- 1.2 Etwaige Abweichungen von oder Ergänzungen der vorliegenden Bedingungen (als besondere Bedingungen verstanden) müssen schriftlich von den Parteien vereinbart werden und gelten nur als angenommen, wenn sie in der Auftragsbestätigung aufgeführt werden. Im Fall von Widerspruch besitzen die besonderen Bedingungen Vorrang.
- 1.3 Die vorliegenden Allgemeinen Verkaufsbedingungen gelten auch für die internationalen Verkäufe: Es gilt als vereinbart, dass jeglicher Verweis auf Handelsbedingungen (wie EXW, CIP, usw.) als Verweis auf die Incoterms der Internationalen Handelskammer in dem zur Zeit des Vertragsabschlusses geltenden Texts zu verstehen sind.

Art. 2 Änderungen

Der Verkäufer behält sich vor, an den Produkten Veränderungen vorzunehmen, die, ohne die wesentlichen Eigenschaften der Produkte zu verändern, erforderlich sind oder angebracht erscheinen.

Art. 3 Bestellungen und deren Änderungen

- 3.1 Bestellungen, Verträge und Lieferungsanforderungen sowie Änderungen oder Ergänzungen derselben müssen schriftlich erfolgen.
- 3.2 Die Gültigkeit etwaiger mündlicher Vereinbarungen, einschließlich Änderungen und Ergänzungen der vorliegenden Bedingungen ist abhängig von der ausdrücklichen Bestätigung seitens Rubinetteria 3M s.r.l.
- 3.3 Es gelten als schriftliche Bestätigungen auch die mittels Fax oder Internet zugegangenen Mitteilungen.
- 3.4 Falls nach der Auftragsbestätigung der Verkäufer von Protesten, Beschlagnahmungen, Pfändungen und allgemein beeinträchtigenden Maßnahmen zu Lasten des Erwerbers Kenntnis erhalten sollte oder es bekannt werden sollte, dass der Erwerber sich in einer schwierigen finanziellen Lage befindet, kann der Verkäufer nach seiner Wahl entweder den Vertrag unterbrechen und besondere Gewährleistungen fordern oder den Vertrag wegen mangelnder Erfüllung des Erwerbers gemäß Art. 1456 c.c. (ital. BGB) mittels per Einschreiben mit Rückschein zu versendender Mitteilung aufheben.

Art. 4 Preise

- 4.1 Falls nicht anders bestimmt, ist der Verkaufspreis, ohne Mehrwertsteuer, der der Preisliste des Verkäufers, die zur Zeit des Vertragsabschlusses in Kraft ist. Sofern der Käufer entscheidet, zum vereinbarten Datum der Bereitstellung und Lieferung die Produkte nicht empfangen zu wollen oder die Bereitstellung oder die tatsächliche Lieferung aus Gründen, die nicht vom Verkäufer abhängen, nicht möglich war, unterliegen die Preise, falls nicht bereits im Auftrag vorgesehen, den Änderungen der Preisliste von Rubinetteria 3M S.r.l. und jedenfalls den Änderungen der Material- und Lohnkosten, die zwischen der Bereitstellung der Produkte bis zu deren Abholung seitens des Käufers oder der Annahme der Lieferung stattgefunden haben. Gebühren, Steuern, Ausgaben bezüglich der Ausstellung von Bankwechseln oder der eventuellen Legalisierung des Vertrags gehen zu Lasten des Käufers.
- 4.2 Sofern nicht anders vereinbart, verstehen sich die Preise für Produkte mit, auf das vereinbarte Transportmittel bezogene branchenüblicher Verpackung, ab Werk, wobei als vereinbart gilt, dass jegliche weitere Ausgabe oder Belastung zu Lasten des Käufers geht.

Art. 5 Zahlungsbedingungen

- 5.1 Die Zahlungen müssen unmittelbar an Rubinetteria 3M S.r.l. innerhalb der vereinbarten Fristen erfolgen, nach Verstreichen derselben Rubinetteria 3M Srl ohne jegliche Vorankündigung Verzugszinsen in Rechnung stellt, die ab dem unmittelbar auf das Fälligkeitsdatum folgenden Tag laufen. Diese Zinsen werden gemäß der Gesetzesverfügung Nr. 231/2002 erhöht berechnet. Nach freiem Ermessen von Rubinetteria 3M Srl kann die mangelnde Einhaltung der vereinbarten Zahlungsfristen die Aussetzung etwaiger laufender Lieferungen bewirken, auch wenn diese bereits vereinbart waren. Keinerlei Beanstandung berechtigt den Käufer zur Unterbrechung der Zahlungen. Sendungen von einem geringeren Betrag als € 100,00 (hundert/00) werden ausschließlich als Nachnahme versandt. Für Rechnungen unter einem Betrag von € 250,00 wird eine einzige Bankquittung mit einer kürzeren als der gebräuchlichen Fälligkeit ausgestellt.
- 5.2 Sofern die Parteien die Nachzahlung vereinbart haben, muss diese in Ermangelung anders lautender Bestimmungen mittels Banküberweisung innerhalb von 30 Tagen ab Rechnungsdatum erfolgen. Die Zahlung gilt als erfolgt, wenn der Betrag in die Verfügungsgewalt des Verkäufers bei seiner Bank eingeht. Sofern vorgesehen ist, dass die Zahlung von einer Bankbürgschaft begleitet werden soll, muss der Käufer mindestens 30 Tage vor dem Lieferdatum eine Bankbürgschaft auf erste Anforderung zur Verfügung stellen, die entsprechend der Einheitsbestimmungen für Bürgschaften der CCI von einer führenden italienischen Bank auszustellen ist und gegen die einfache Erklärung des Verkäufers, die Zahlung nicht innerhalb der vereinbarten Fristen erhalten zu haben, zu zahlen ist.
- 5.3 Sofern die Parteien die Vorauszahlung ohne weitere Angaben vereinbart haben, wird angenommen, dass die Vorauszahlung den gesamten Kaufpreis betrifft. Vorbehaltlich anders lautender Vereinbarung muss die Vorauszahlung mindestens 30 Tage vor dem vereinbarten Lieferdatum auf das Konto des Verkäufers eingezahlt werden.
- 5.4 Sofern die Parteien die Zahlung mittels Kreditbrief vereinbart haben, muss der Käufer, vorbehaltlich anderer Abmachung, dafür sorgen, dass ein unwiderruflicher Kreditbrief, gemäß den Einheits-Bestimmungen und -Gebräuchen der CCI für Kreditbriefe, dem Verkäufer mindestens 30 Tage vor dem vereinbarten Lieferdatum zugestellt wird. Vorbehaltlich anders lautender Vereinbarungen muss der Kreditbrief von einer dem Verkäufer genehmen italienischen Bank bestätigt und bei Vorlage zahlbar sein.
- 5.5 Sofern die Parteien die Zahlung gegen Dokumente vereinbart haben, erfolgt die Zahlung, vorbehaltlich anderer Abmachungen, Dokumente gegen Zahlung.
- 5.6 Vorbehaltlich anders lautender Vereinbarungen gehen mit der Zahlung verbundene Spesen und Bankgebühren zu Lasten des Käufers.

Art. 6 Lieferfristen

- 6.1 Sollte der Verkäufer vorsehen, nicht in der Lage zu sein, die Produkte zum vereinbarten Lieferdatum auszuliefern, hat er den Käufer schriftlich rechtzeitig, auch per Internet, zu benachrichtigen und dabei, wo möglich, auch das vorgesehene Lieferdatum mitzuteilen. Es gilt als vereinbart, dass, sollte die dem Verkäufer zuzurechnende Verspätung 9 Wochen überschreiten, der Käufer den Vertrag hinsichtlich der Produkte, deren Lieferung in Verzug ist, mit einer Kündigungsfrist von 10 Tagen mittels einer schriftlichen Mitteilung an den Verkäufer aufheben kann.
- 6.2 Die etwaige Verspätung auf Grund von höherer Gewalt (wie in Art. 10 bestimmt) oder von Handlungen oder Unterlassungen des Käufers (z.B. mangelnde Mitteilung von für die Lieferung der Produkte erforderlicher Angaben) gilt nicht als dem Verkäufer zuzurechnen.
- 6.3 Für den Fall der dem Verkäufer zuzurechnenden Verspätung der Lieferung kann der Käufer, vorbehaltlich der Inverzugsetzung des Verkäufers, die Entschädigung des tatsächlichen von ihm bewiesenen Schadens in Höhe von maximal 5% des Preises der verspätet gelieferten Produkte verlangen.
- 6.4 Vorbehaltlich des Vorsatzes oder schweren Verschuldens des Verkäufers schließt die Zahlung der in Art. 6.3 angegebenen Beträge jeden weitergehenden Schadensersatz wegen mangelnder oder verspäteter Lieferung der Produkte aus.

Art. 7 Übergabe und Versand - Reklamationen

- 7.1 Vorbehaltlich anders lautender Vereinbarungen erfolgt die Lieferung der Ware ab Werk und dies auch, wenn vereinbart wird, dass die Spedition oder Teile derselben vom Käufer besorgt wird.
- 7.2 Es wird keine Retourware angenommen, wenn nicht frei Werk in unserem Lager und erst nach vorheriger Genehmigung von Rubinetteria 3M Srl versandt. Die Produkte müssen einwandfrei in ihrer Verpackung enthalten sein und in Kartons geschützt sein. Rubinetteria 3M Srl haftet nicht für Beschädigung der Ware durch unangemessene Verpackung während des Transports des Spediteurs zu unserem Lager. Die empfangene Retourware wird einer sorgfältigen Qualitätskontrolle unterzogen und, sollte diese einen Mangel aufweisen und der Mangel Rubinetteria 3M Srl zuzurechnen sein, wird die Ware ersetzt. Für erhaltenes, unvollständiges, beschädigtes oder nicht entsprechend verpacktes Material ist keine Entschädigung geschuldet und es werden die für die ausgeführten Kontrollen getragenen Kosten in Rechnung gestellt. In diesem Fall bleibt das Material mit nicht Rubinetteria 3M Srl zuzurechnenden Mängeln in unserem Lager höchstens für einen Zeitraum von 30 Tagen zur Verfügung des Kunden. Nach Ablauf dieser Frist wird es automatisch, ohne weitere Ankündigung, in der Gießerei beseitigt. Rubinetteria 3M Srl lehnt jede Haftung für durch Manipulation seiner Produkte hervorgerufene Mängel und für durch die Montage von mangelhaftem Material hervorgerufene Schäden ab.
- 7.3 . Es versteht sich, dass die direkten Kosten für die Rückgabe der Produkte wegen Ursachen, die nicht dem Verkäufer zugeschrieben werden können, sowie die Transportrisiken, zu Lasten des Käufers gehen. Der maximale Abzug im Zusammenhang mit der Rückgabe von noch in Kartons verpackten und unbeschädigten Verkaufsobjekten wird auf 15 % geschätzt. Der tatsächliche Abzug bei der Rückgabe hängt in jedem Fall mit der vom Käufer gewählten Rückgabeart zusammen (zum Beispiel vom Transportunternehmen oder von der für die Rückgabe gewählten Versandart); Wir empfehlen, die zurückzugebenden Waren sorgfältig zu verpacken und für den Transport ein Transportunternehmen oder eine andere geeignete Transportart zu wählen, bei der die Rückverfolgbarkeit möglich ist. Es ist außerdem nützlich, die zu versendenden Waren zu versichern, da keine Rückerstattung erhalten werden kann, wenn die zurückzugebenden Waren aus beliebigen Gründen nicht ausgeliefert werden.
- 7.4 Es bleibt vereinbart, dass eventuelle Reklamationen oder Beschwerden den Käufer nicht berechtigen, die Bezahlung der reklamierten Produkte zu unterbrechen oder zu verspäten, ebenso wenig wie die anderer Lieferungen.

Art. 8 Mängelgewährleistung

8.1 Rubinetteria 3M S.r.l. verpflichtet sich, jeglichen ihr zuzurechnenden Fehler, Qualitätsmangel oder Abweichungsmangel der Produkte zu beseitigen, vorausgesetzt, dass dieser gemäß Art. 7.3 rechtzeitig mitgeteilt wurde. Der Verkäufer kann zwischen der Reparatur oder dem Ersatz der mangelhaften Produkte entscheiden. Die in Gewährleistung ersetzten oder reparierten Produkte unterliegen derselben Mängelhaftung für einen Zeitraum von sechs Monaten ab dem Reparatur- bzw. Austauschdatum.

8.1.2 Rubinetteria 3M Srl garantiert alle seine Produkte gegen Fabrikationsfehler wie nachfolgend aufgeführt:

- 1) 15-jährige Garantie auf edelstahl, auf Gussfehler und Porosität.
- 2) 15-jährige Garantie auf Chrom, auf Gussfehler und Porosität.
- 3) 10-jährige Garantie auf Mängel an Mischerpatronen und Einsätzen (es wird daran erinnert, dass der Verschleiß dieser Bauteile eng mit der Wasserqualität verbunden ist).
- 4) 2-jährige Garantie auf andere als verchromte Oberflächenbehandlungen.

Um die Garantie zu nutzen, wird empfohlen, den Kassenzettel oder einen anderen Kaufbeleg mit dem Kaufdatum aufzubewahren und dem Garantieschein beizufügen.

Die Garantie berechtigt zum Austausch der Teile, die wegen offensichtlicher Fabrikationsfehler den schlechten Betrieb des Produkts verursachen, es sei den, dass dies nicht auf Nachlässigkeit, Fall oder Stöße, fahrlässige Verwendung, falsche Wartung, Manipulation, nicht ordnungsgemäße Installation, Eingriffen nicht befähigter Personen oder höhere Gewalt beruht. Es ist unbedingt erforderlich, vor den Armaturen Filter und Wasserenthärter zu installieren. Die mangelnde Befolgung dieser Bedingungen bewirkt den unmittelbaren Verfall der Garantie selbst. Die Garantie schließt jegliche Haftung unsererseits für alle Folgen einer unsachgemäßen Verwendung, einer nicht ordnungsgemäßen Installation unserer Materialien, einer falschen Wartung oder Pflege des Produkts (siehe unter „Ratschläge für die Pflege des Produkts“) aus. Rubinetteria 3M Srl gewährt keine Entschädigung für den Austausch der mangelhaften Artikel.

8.2 Der Verkäufer garantiert nicht die Entsprechung der Produkte mit besonderen Anforderungen oder technischen Eigenschaften oder deren Tauglichkeit für besondere Einsätze, es sei denn in dem Ausmaß, in dem diese Eigenschaften ausdrücklich im Vertrag oder in Unterlagen, auf die im Vertrag selbst zu diesem Zweck verwiesen wird, vereinbart worden sind.

8.3 Vorbehaltlich des Vorsatzes oder schweren Verschuldens ist der Verkäufer im Fall von Mängeln, Qualitätsmängeln oder Abweichungsmängeln der Produkte ausschließlich zur Reparatur derselben oder der Ersatzlieferung für die mangelhaften Produkte gehalten. Es ist vereinbart, dass die besagte Garantie (die in der Pflicht zur Reparatur oder des Ersatzes der Produkte besteht) die gesetzlich vorgesehenen Garantien oder Haftungen einschließt und ersetzt und jegliche weitere auf die Produkte beruhende Haftung des Verkäufers (sowohl vertraglicher wie außervertraglicher Art) ausschließt (wie z. B. Schadensersatz, Gewinnausfall, Rückrufaktionen, usw.).

Art. 9 Eigentumsvorbehalt

Es wird vereinbart, dass die gelieferten Produkte bis zu vollständigen Bezahlung derselben Eigentum des Verkäufers bleiben. Der Eigentumsvorbehalt wird auf die vom Käufer an Dritte veräußerten Produkte und auf den Entgelt dieser Verkäufe ausgeweitet, innerhalb der Höchstgrenzen des Gesetzes des Lands des Käufers, das den verlängerten Eigentumsvorbehalt regelt.

Art. 10 Höhere Gewalt

10.1 Jede Partei kann die Erfüllung ihrer Vertragspflichten unterbrechen, wenn diese Erfüllung wegen einer unvorhergesehenen, von seinem Willen unabhängigen Verhinderung unmöglich oder unzumutbar wird, wie z.B. Streik, Boykott, Aussperrung, Brand, Krieg (erklärt oder nicht), Bürgerkrieg, Aufstände und Revolutionen, Beschlagnahmungen, Embargos, Energieunterbrechungen, Verspätung der Lieferung von Bauteilen und Rohstoffen.

10.2 Die Partei, die von der vorliegenden Klausel Gebrauch machen möchte, muss der anderen Partei unverzüglich schriftlich den Eintritt und die Beendigung der Umstände der höheren Gewalt mitteilen.

10.3 Sofern die Unterbrechung aufgrund der höheren Gewalt länger als sechs Wochen anhalten sollte, besitzt jede Partei das Recht, den vorliegenden Vertrag mit einer Kündigungsfrist von 10 Tagen aufzuheben. Die Kündigung muss der Gegenpartei schriftlich mitgeteilt werden.

Art. 11 Gerichtsstand

Für jegliche Streitigkeit aus dem vorliegenden Vertrag oder mit diesem verbunden ist der ausschließliche Gerichtsstand das Gericht von Siena. Sollte der Käufer in einem Land außerhalb der EU ansässig sein, werden alle Streitigkeiten aus dem vorliegenden Vertrag oder diesen betreffenden endgültig gemäß der Schiedsgerichtsregelung der Handelskammer Florenz oder mehrerer im Einklang mit dieser Regelung benannter Schiedsrichter entschieden.

Art. 12 Verschiedenes

Die etwaige Unwirksamkeit einer Klausel der vorliegenden Bedingungen oder nachträglicher ergänzender Vereinbarungen bewirkt nicht die Ungültigkeit der anderen Bedingungen. Die Parteien werden eine Ersatzklausel vereinbaren, die den wirtschaftlichen Zweck so weit wie möglich widerspiegelt.

Art. 13 Anwendbares Recht

Die vorliegenden Verkaufsbedingungen werden ausschließlich durch die Gesetze der Italienischen Republik geregelt. Die Anwendung der Haager Konvention über das einheitliche Recht beim internationalen Verkauf von Waren, der Konvention der Vereinten Nationen über die Verträge für den internationalen Verkauf von Waren oder anderer Konventionen über das bei der Veräußerung anwendbare Recht ist ausgeschlossen.

Art. 14 Konsensbildung

Die Parteien bestätigen sich gegenseitig, dass jede einzelne Bestimmung des vorliegenden Vertrags von denselben ausgiebig bearten und besonders verabschiedet wurde, so wie jeder einzelne Punkt oder Artikel.

Art. 15 Schutz der personenbezogenen Daten

Beide Parteien versichern, dass sie alle Pflichten, die durch die neue Europäische Verordnung in Bezug auf den Datenschutz(DSGVO 679/2016) einhalten. Mit der Erteilung der Bestellung und/oder bei der Eintragung auf der Website der Gesellschaft drückt der Käufer seine Genehmigung zur Verarbeitung von personenbezogenen Daten aus, wie dies in den Artikeln 13 und 14 DSGVO - Verordnung (UE) 2016/679 vorgesehen ist, nachdem er das spezifische, auf der Website in ungekürzter Version veröffentlichte Informationsschreiben eingesehen hat. Die Verarbeitung, Speicherung und Übermittlung der personenbezogenen Daten erfolgt unter Beachtung aller Vorsichtsmaßnahmen, die die Sicherheit und Vertraulichkeit gemäß den Bestimmungen der DSGVO gewährleisten, und nur mit dem Ziel, die gesetzlich, zivilrechtlich und steuerlich vorgeschriebenen Verpflichtungen im Zusammenhang mit der Geschäftstätigkeit des Unternehmens, einschließlich der aus der Vertragsausführung entstehenden Verwaltung von Einnahmen und Zahlungen, wirksam erfüllen zu können.

PFLEGE DES PRODUKTS: Siehe Seite 827

ERSATZTEILE

Es wird stets die Verwendung von Original-Ersatzteilen von Rubinetteria 3M Srl empfohlen, die in allen unseren Verkaufsstellen erhältlich sind.

I dati e le immagini contenuti nel presente catalogo sono da ritenersi indicativi,
Rubinetterie 3M S.r.l. si riserva la facoltà di modificare o adeguare anche senza obbligo di preavviso

The images and information contained in this catalogue are to be considered indicative
and may be subject to variations without prior notice

Les images et les informations contenues dans ce catalogue sont fournies à titre indicatif
et peuvent faire l'objet de modifications sans aucun préavis

Die in diesem Katalog enthaltenen Bilder und Daten dienen nur zur Illustration
und können auch ohne vorherige Ankündigung geändert werden

tree^{RUBINETTERIE}**mme**
instruments for water

Rubinetterie 3M S.r.l.
Via Mattei, 10 _ 53041 Asciano-Siena-Italy
Tel. +39 0577 71 82 93 _ Export +39 0577 71 60 92
www.rubinetterie3m.it

SIMBOLOGIA - SYMBOL - SYMBOLES - ZEICHNUNG



Cartuccia
Cartridge
Cartouche
Kartusche



Vitone
Valve
Tête robinet céramique
Schraube



Cartuccia Termostatica
Thermostatic cartridge
Cartouche thermostatique
Thermostat Kartusche



Cartuccia deviatrice
Diverter cartridge
Cartouche inverseur
Umstellung Kartusche



Kit Prolunga
Extension kit
Kit de rallonge
U.P.-Verlängerung



Chiave areatore
Aerator key
Clé mousseur
Schlüssel Perlator



Areatore
Aerator
Mousseur
Perlator



Areatore orientabile
Adjustable aerator
Mousseur orientable
Perlator, Strahlrichtung einstellbar



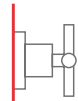
Portata acqua
Flow rate
Débit
Wasserleistung



Ingressi / Uscite
Inlets / Outlets
Entrées / Sorties
Eingänge / Ausgänge



Parti incasso
Concealed body
Corps à encastrer
Unterputzteil



Parti esterne
External parts
Habillage
Sichtteile



Scatola installazione
Concealed box
Boite d'encastrement
Grundkörper



Ingresso
Inlet
Entrée
Eingang



Uscita
Outlet
Sortie
Ausgang



Lunghezza flessibile
Hose length
Longeur flexible
Brauschlauch-Laenge



Doccetta
Hand shower
Douchette
Duschkopf



Soffione doccia
Shower head
Pomme douche
Brausekopf



Valvola di sicurezza
Safety valve
Soupape de sûreté
Sicherheitsventil



Deviatore al flessibile
Diverter on flexible
Inverseur au flexible
Umsteller auf Brauseschlauch



Led
Led
Led
Led



Parte elettronica
Electronic part
Partie électronique
Elektronisches Teil



Bocca girevole
Swivelling spout
Bec orientable
Schwenkbar Einlauf



Doppio orientamento
Double direction
Double orientation
Doppelte Ausrichtung



QR Installazione
QR Installation
QR Installation
QR Installations



QR Taratura cartuccia
termostatica
QR Calibration of a
thermostatic cartridge
QR Etalonnage de la
cartouche thermostatique
QR Thermostate – Kalibrierung



Staffa cartogesso
Installation bracket
for plasterboard wall
Système de fixation pour
cloison en placo-plâtre
Montagehalterung
für Gipskartonwand



Pioggia
Rain
Pluie
Regen



Nebulizzatore
Mist
Brumisateur
Zerstäuber



Getto
Water jet
Jet
Wasser Jet

ISTRUZIONI VIDEO DI MONTAGGIO - INSTALLATION INSTRUCTIONS
INSTRUCTION DE MONTAGE - MONTAGEANLEITUNG



N° 5



N° 6



N° 11



N° 12



N° 13



N° 14



N° 15



N° 16



N° 54



N° 63



N° 65



N° 66



N° 67



N° 68



N° i15



N° i31



N° i43



N° i46



N° i49



N° i51



N° i53

FINITURE - FINISHES - FINITIONS - AUSFÜHRUNGEN

CC

NN

BB

NL

NF

HH

CZ

US

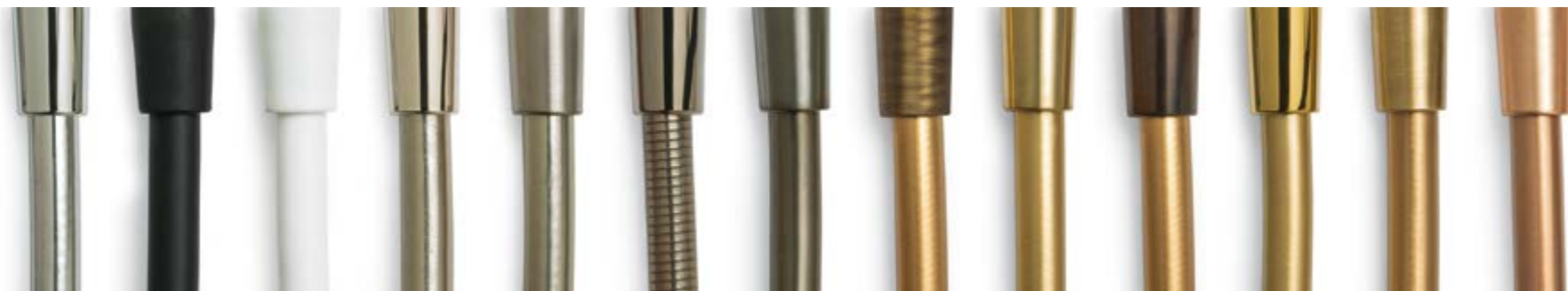
UZ

KK

DD

DZ

SZ



WATT - W-70s

CC

NN

BB

NL

NF

HH

CZ

UZ

DD

DZ

SZ





CC

Cromo
Chrome
Chromé
Chrom



NN

Nero opaco
Matt black
Noir mat
Schwarz matt



BB

Bianco opaco
Matt white
Blanc mat
Weiss matt



NL

Nikel lucido
Polished nickel
Nickel Brillant
Nickel



NF

Nichel spazzolato
Brushed nickel
Nickel brossé
Nickel gebürstet



HH

Nero cromo lucido
Polished black chrome
Noir chrome brillant
Schwarzchrom



CZ

Nero cromo spazzolato
Brushed black chrome
Noir chrome brossé
Schwarzchrom gebürstet



US

Brunito spazzolato
Brushed bronze
Bronze brossé
Bronze gebürstet



UZ

Ottone spazzolato
Brushed brass
Laiton brossé
Messing gebürstet



KK*

Ossidato
Oxidized
Oxydé
Oxidiert

* Finitura realizzata a mano.

Ogni pezzo è unico e può presentare differenze rispetto ad altri articoli con la stessa finitura.

* Hand made finish.

Each item is unique and may differ from other items with the same finish.

* Finition faite à la main.

Chaque pièce est unique et peut différer des autres articles avec la même finition.

* Handgemachte Oberfläche.

Jedes Teil ist ein Einzelstück und kann sich von anderen Artikeln mit der gleichen Oberfläche unterscheiden.



DD

Oro
Gold
Or
Gold



DZ

Oro spazzolato
Brushed gold
Or brossé
Gold gebürstet



SZ

Oro rosa spazzolato
Brushed rose gold
Or rose brossé
Roségold gebürstet

instruments for water

